

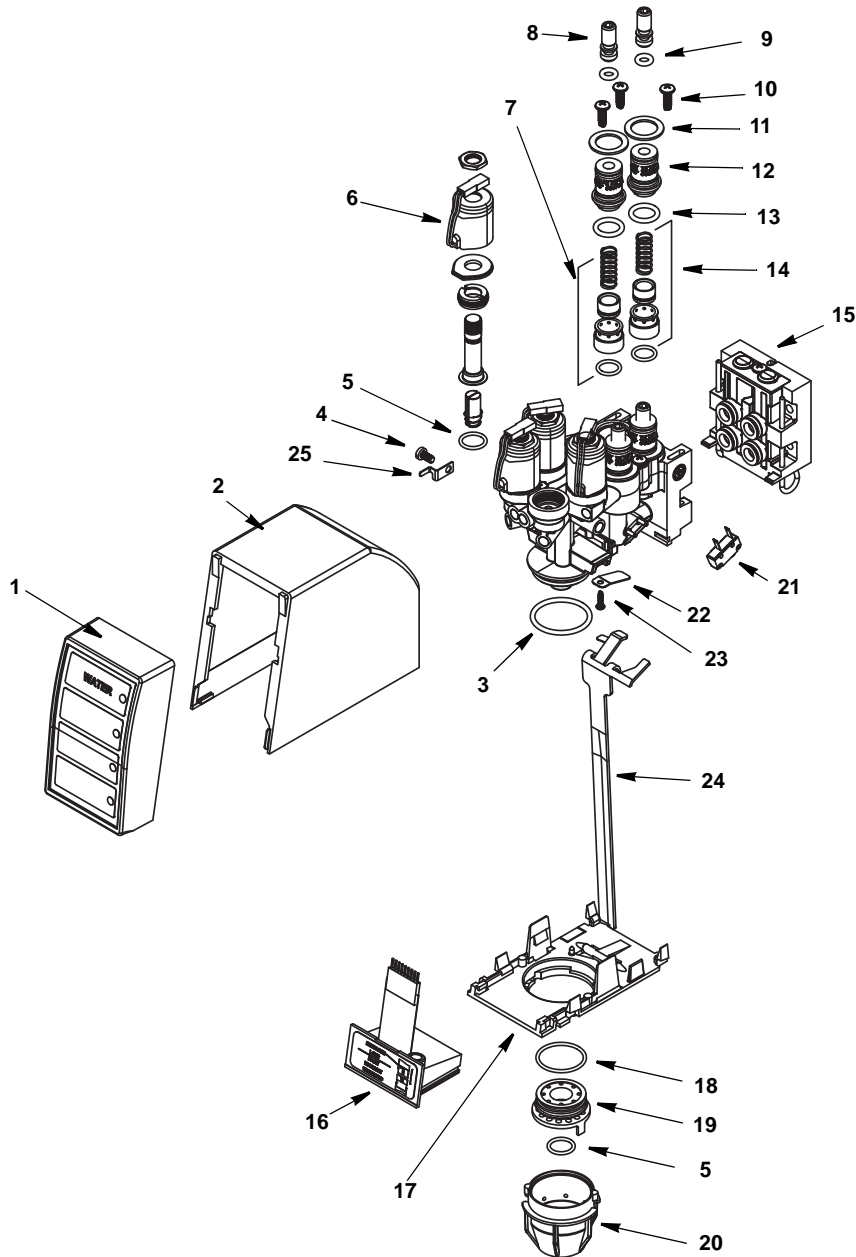


## Variety Valve Parts List for Servend Equipment

**AUTOFILL - 030000069**                      **PUSH BUTTON - 030000071**  
**SANITARY LEVER - 030000070**           **PORTION CONTROL - 030000072**

<b>CEV-30</b>	<b>SV-175</b>
<b>CEV-40</b>	<b>SV-200</b>
<b>DI/DIL-2323</b>	<b>SV-250</b>
<b>IC-2323</b>	<b>MDH-302</b>
<b>SV-150</b>	

# AUTOFILL VALVE



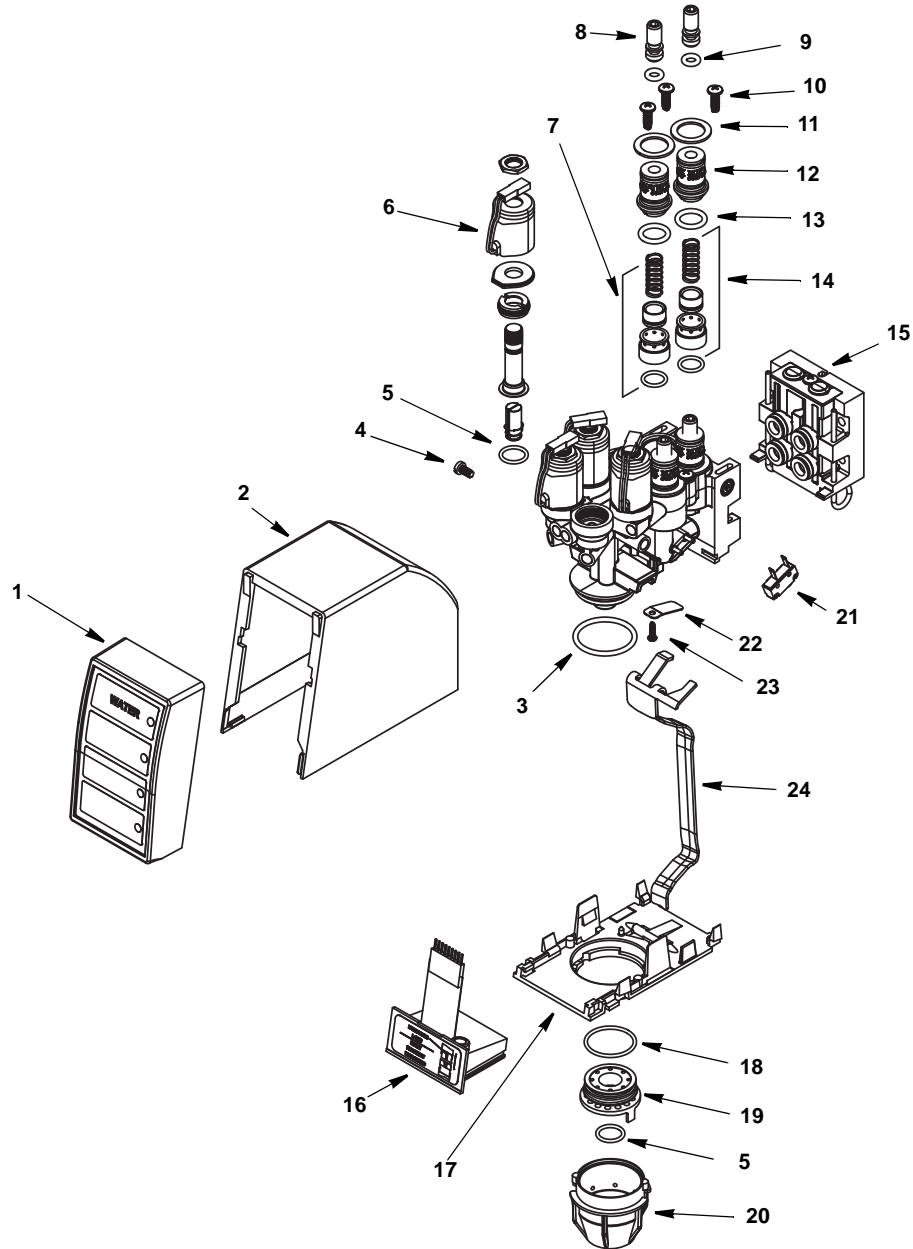
03000069

## DESCRIPTION

1	Front Cover .....	15-2895
2	Rear Cover .....	01-1831
3	O-ring 1.174 X .103 .....	030000067
4	Screw, M4 .....	030000090
5	O-ring .489 X .07 .....	10-0020
6	Solenoid .....	05-1711
7	Water Flow Control Kit .....	16-1588
8	Flow Control Stem .....	030000068
9	O-ring .206 X .103 .....	10-0921
10	Screw, 8-16 .....	10-1150
11	Flatwasher .....	030000088
12	Flow Control Housing .....	01-0295
13	O-ring .487 X .103 .....	10-0010
14	Syrup Flow Control Kit .....	16-1589
15	Mounting Block .....	030000065
16	Electronic Module .....	15-2894
17	Bottom Plate .....	01-1832
18	O-ring .989 X .07 .....	10-0007
19	Diffuser .....	01-1822
20	Nozzle .....	01-1833
21	Switch .....	030000073
22	Lever Spring .....	14-5164
23	Screw, 3-24 .....	030000135
24	Lever .....	14-5169
25	Nozzle Terminal .....	14-5263

## PART NO.

# SANITARY LEVER VALVE

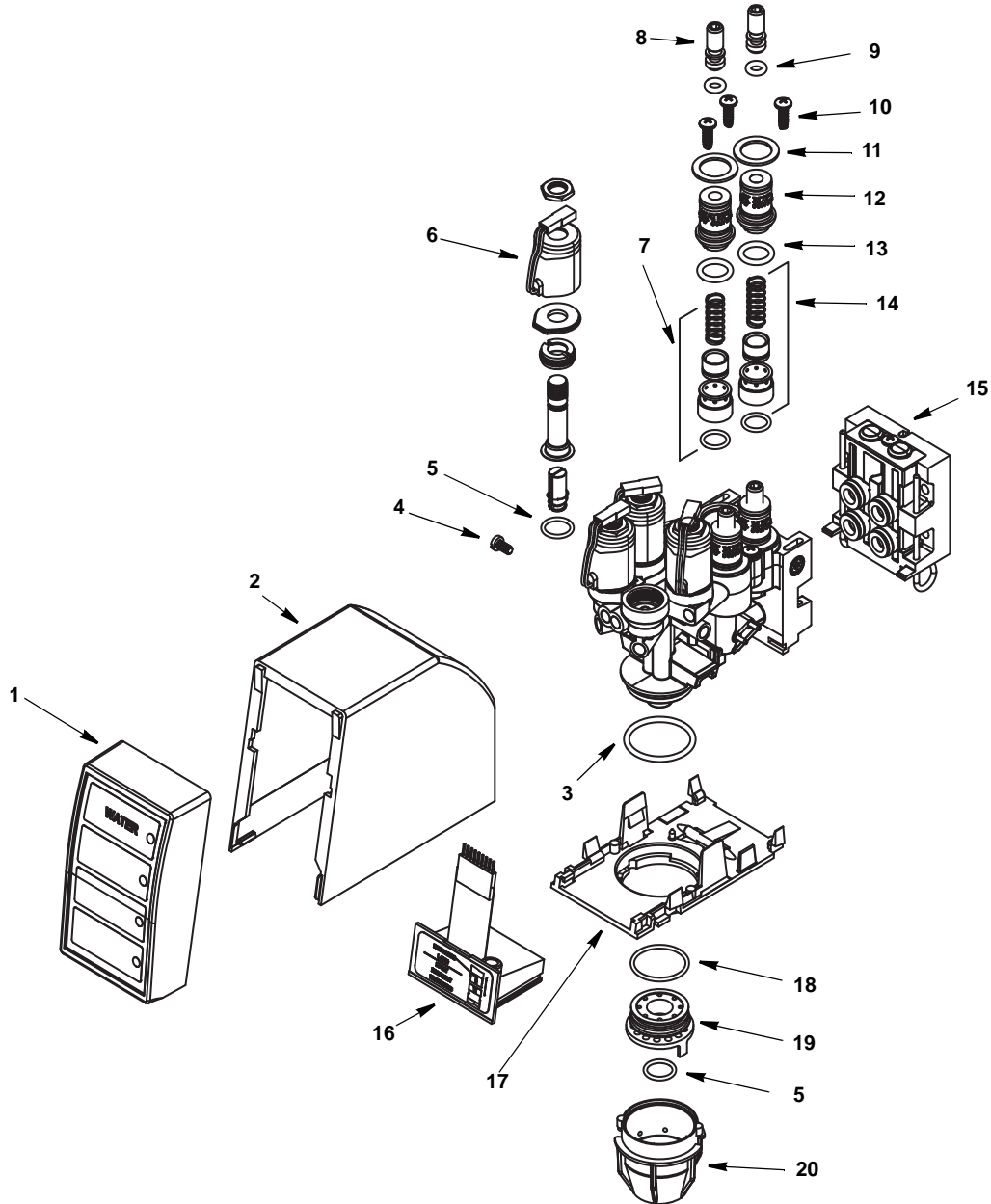


030000070

## DESCRIPTION

1	Sanitary Lever Valve Full Assembly .....	030000070
1	Front Cover .....	15-2895
2	Rear Cover .....	01-1831
3	O-ring 1.174 X .103 .....	030000067
4	Screw, M4 .....	030000090
5	O-ring .489 X .07 .....	10-0020
6	Solenoid .....	05-1711
7	Water Flow Control Kit .....	16-1588
8	Flow Control Stem .....	030000068
9	O-ring .206 X .103 .....	10-0921
10	Screw, 8-16 .....	10-1150
11	Flatwasher .....	030000088
12	Flow Control Housing .....	01-0295
13	O-ring .487 X .103 .....	10-0010
14	Syrup Flow Control Kit .....	16-1589
15	Mounting Block .....	030000065
16	Electronic Module .....	15-2924
17	Bottom Plate .....	01-1832
18	O-ring .989 X .07 .....	10-0007
19	Diffuser .....	01-1822
20	Nozzle .....	01-1833
21	Switch .....	030000073
22	Lever Spring .....	14-5164
23	Screw, 3-24 .....	030000135
24	Lever .....	14-5222

# PUSH BUTTON VALVE

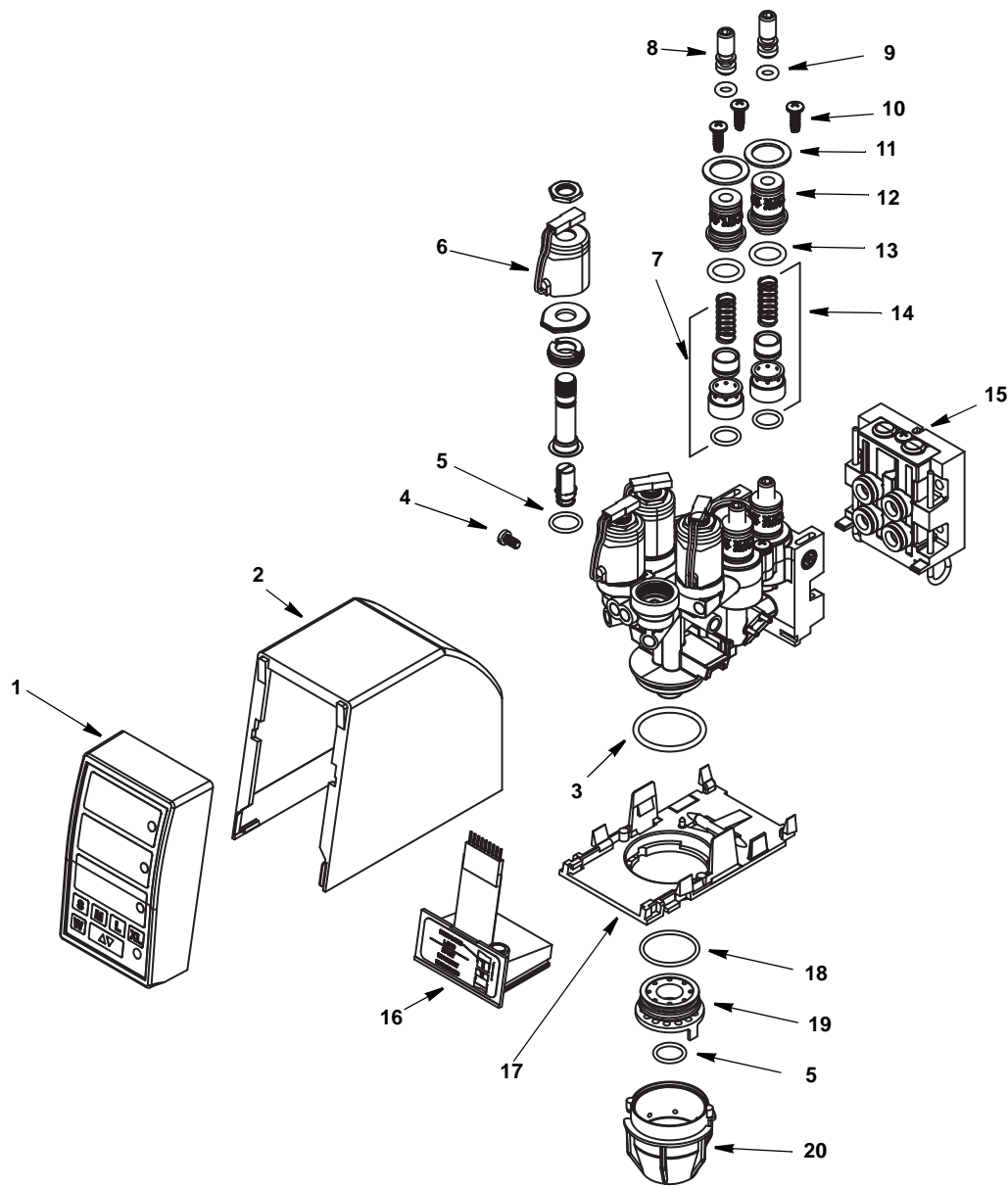


03000071

## DESCRIPTION

	DESCRIPTION	PART NO.
	Push Button Valve Full Assembly .....	03000071
1	Front Cover .....	15-2895
2	Rear Cover .....	01-1831
3	O-ring 1.174 X .103 .....	03000067
4	Screw, M4 .....	03000090
5	O-ring .489 X .07 .....	10-0020
6	Solenoid .....	05-1711
7	Water Flow Control Kit .....	16-1588
8	Flow Control Stem .....	03000068
9	O-ring .206 X .103 .....	10-0921
10	Screw, 8-16 .....	10-1150
11	Flatwasher .....	03000088
12	Flow Control Housing .....	01-0295
13	O-ring .487 X .103 .....	10-0010
14	Syrup Flow Control Kit .....	16-1589
15	Mounting Block .....	03000065
16	Electronic Module .....	15-2892
17	Bottom Plate .....	01-1832
18	O-ring .989 X .07 .....	10-0007
19	Diffuser .....	01-1822
20	Nozzle .....	01-1833

# PORTION CONTROL VALVE



## DESCRIPTION

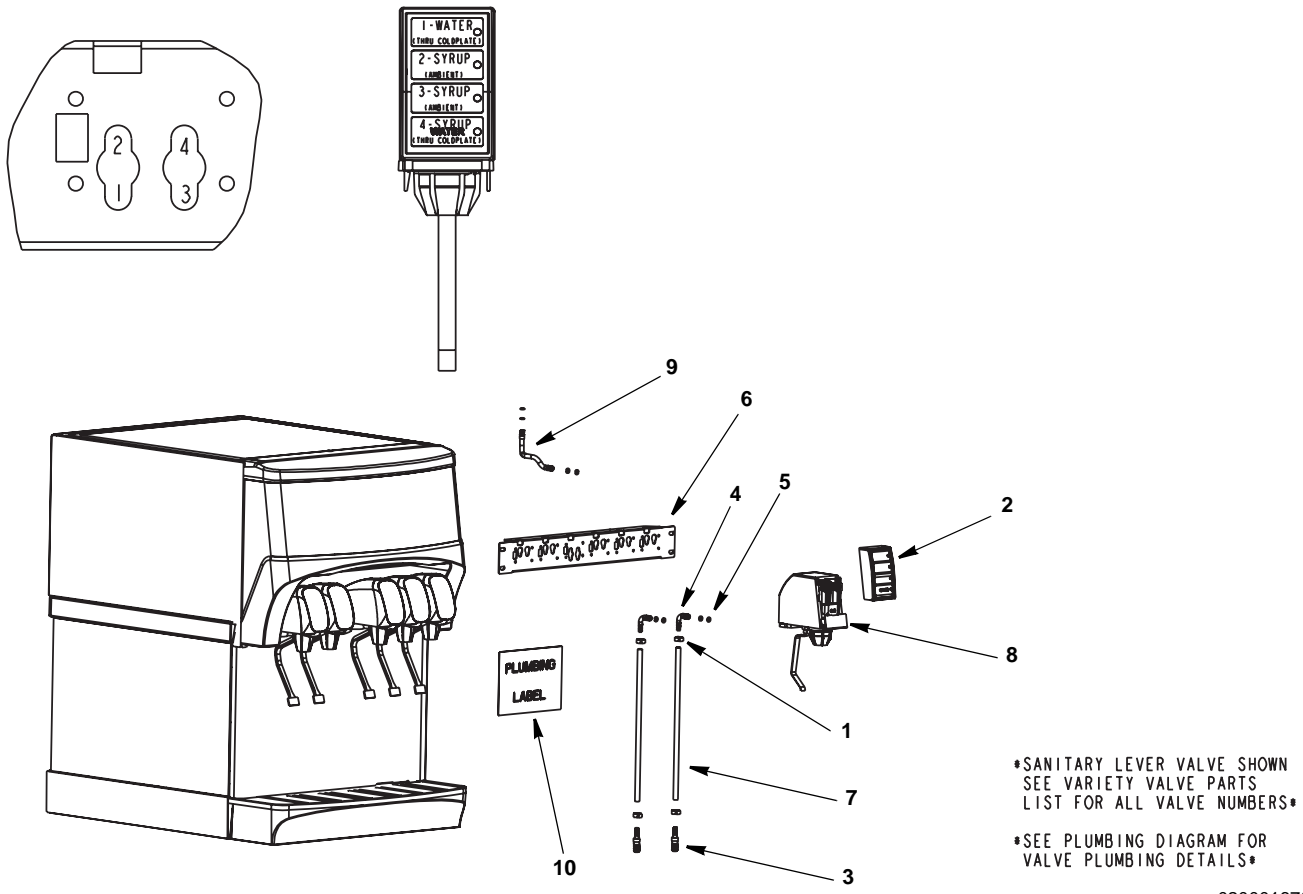
1	Portion Control Valve Full Assembly	030000072
1	Front Cover	15-2896
2	Rear Cover	01-1831
3	O-ring 1.174 X .103	030000067
4	Screw, M4	030000090
5	O-ring .489 X .07	10-0020
6	Solenoid	05-1711
7	Water Flow Control Kit	16-1588
8	Flow Control Stem	030000068
9	O-ring .206 X .103	10-0921
10	Screw, 8-16	10-1150
11	Flatwasher	030000088
12	Flow Control Housing	01-0295
13	O-ring .487 X .103	10-0010
14	Syrup Flow Control Kit	16-1589
15	Mounting Block	030000065
16	Electronic Module	15-2893
17	Bottom Plate	01-1832
18	O-ring .989 X .07	10-0007
19	Diffuser	01-1822
20	Nozzle	01-1833

030000072

## PART NO.

030000072  
15-2896  
01-1831  
030000067  
030000090  
10-0020  
05-1711  
16-1588  
030000068  
10-0921  
10-1150  
030000088  
01-0295  
10-0010  
16-1589  
030000065  
15-2893  
01-1832  
10-0007  
01-1822  
01-1833

# CEV VARIETY VALVE PARTS



\*SANITARY LEVER VALVE SHOWN  
SEE VARIETY VALVE PARTS  
LIST FOR ALL VALVE NUMBERS\*

\*SEE PLUMBING DIAGRAM FOR  
VALVE PLUMBING DETAILS\*

020001670

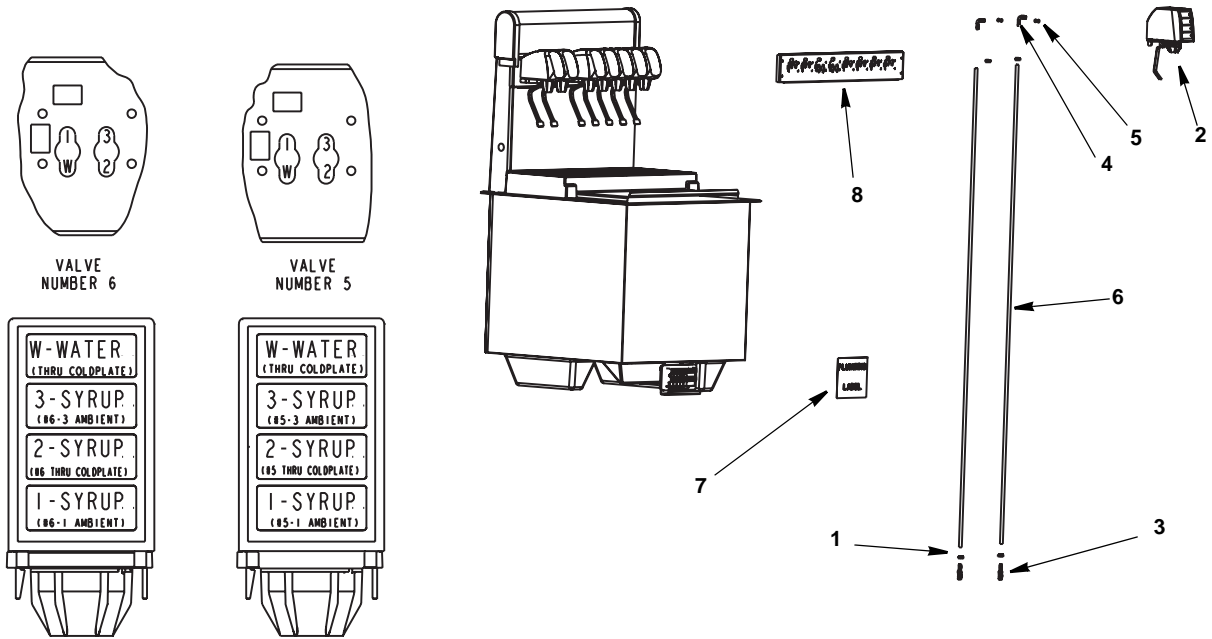
## DESCRIPTION

1	SS Stepless Clamp	.....
2	Front Cover Assembly	.....
3	Splicer 1/4" x 3/8"	.....
4	90 Degree 1/4" Barb Inlet Elbow	.....
5	010 O-ring .239 ID x .070 W	.....
6	Valve Mount Cap - 6 Valve	.....
7	12" Syrup Tube	.....
8	Sanitary Lever Variety Valve	.....
9	Tube, Number 3 Water Variety Valve	.....
10	Plumbing Label	.....

## PART NO.

13.3-706R
15-2895
00861302
5006468
5009080
5011906
5030920
030000070
020001206
020001226

# DI/DIL2323 VARIETY VALVE PARTS



\*SANITARY LEVER VALVE SHOWN  
SEE VARIETY VALVE PARTS  
LIST FOR ALL VALVE NUMBERS\*

\*SEE PLUMBING DIAGRAM FOR  
VALVE PLUMBING DETAILS\*

020001671

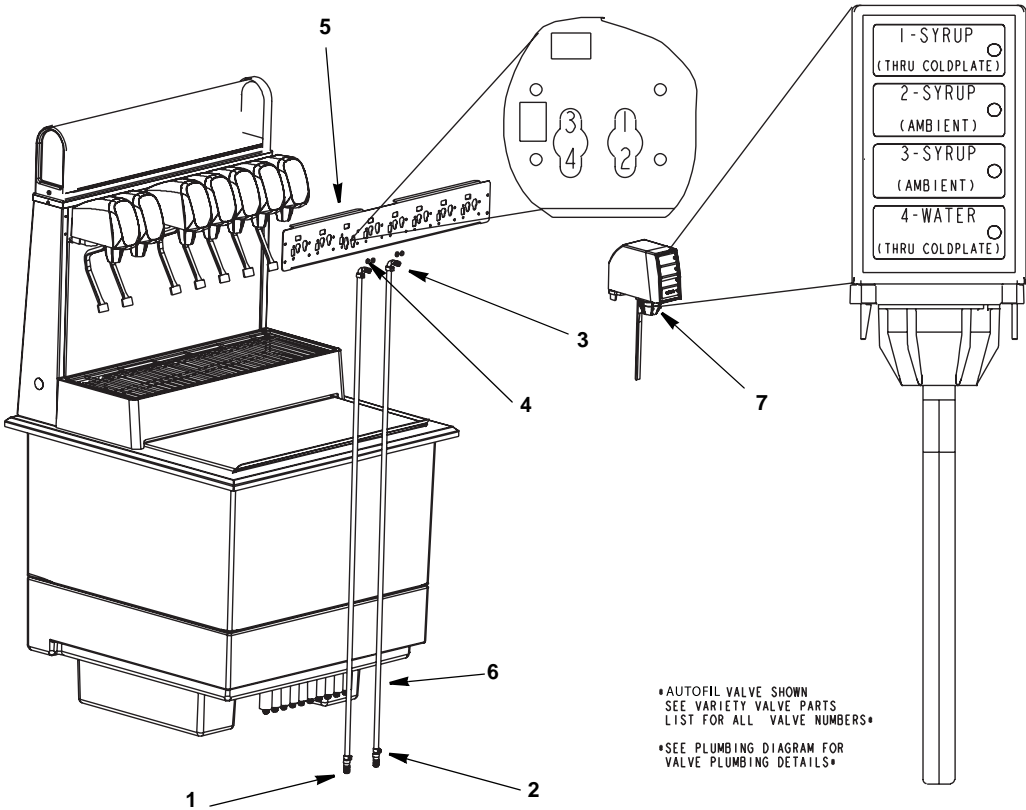
## DESCRIPTION

1	SS Stepless Clamp	.....
2	Sanitary Lever Variety Valve	.....
3	Splicer 1/4" x 3/8"	.....
4	90 Degree 1/4" Barb Inlet Elbow	.....
5	010 O-ring .239 ID x .070 W	.....
6	60" Syrup Tube	.....
7	Plumbing Label	.....
8	Valve Mount Cap - 8 Valve	.....

## PART NO.

13.3-706R
030000070
00861302
5006468
5009080
5031242
020001226
5011906

# IC2323 VARIETY VALVE PARTS



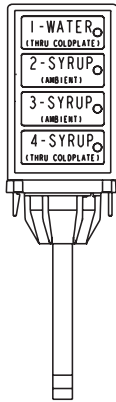
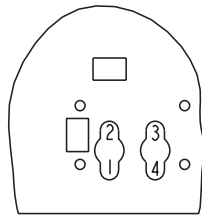
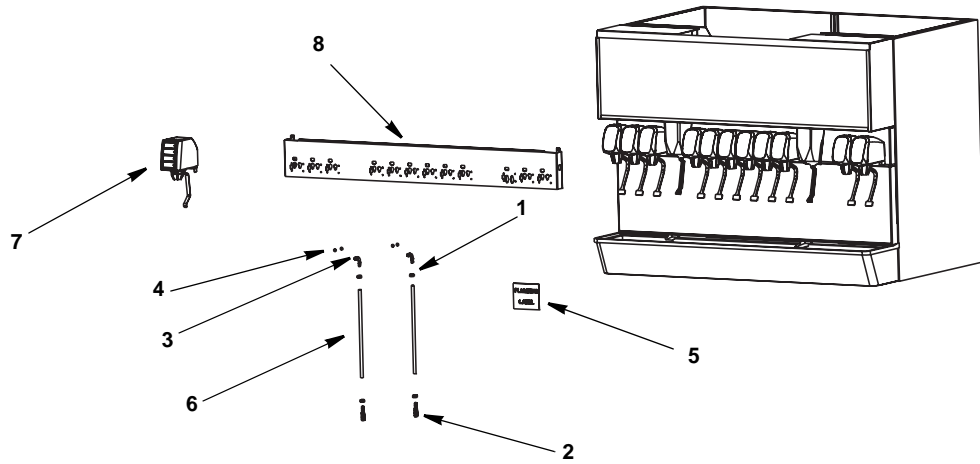
**DESCRIPTION**

1	Splicer 1/4" x 3/8" .....	
2	OTR Clamp 1/2" x 13.3-706R .....	
3	90 Degree 1/4" Barb Inlet Elbow .....	
4	010 O-ring .239 ID x .070 W .....	
5	Valve Mount Cap - 8 Valve .....	
6	40" Syrup Tube .....	
7	Autofil Variety Valve .....	

**PART NO.**

00861302
13.3-706R
5006468
5009080
5031070
5031212
030000069

# MDH SERIES VARIETY VALVE PARTS



\*SANITARY LEVER VALVE SHOWN  
SEE VARIETY VALVE PARTS  
LIST FOR ALL VALVE NUMBERS\*

\*SEE PLUMBING DIAGRAM FOR  
VALVE PLUMBING DETAILS\*

020001679

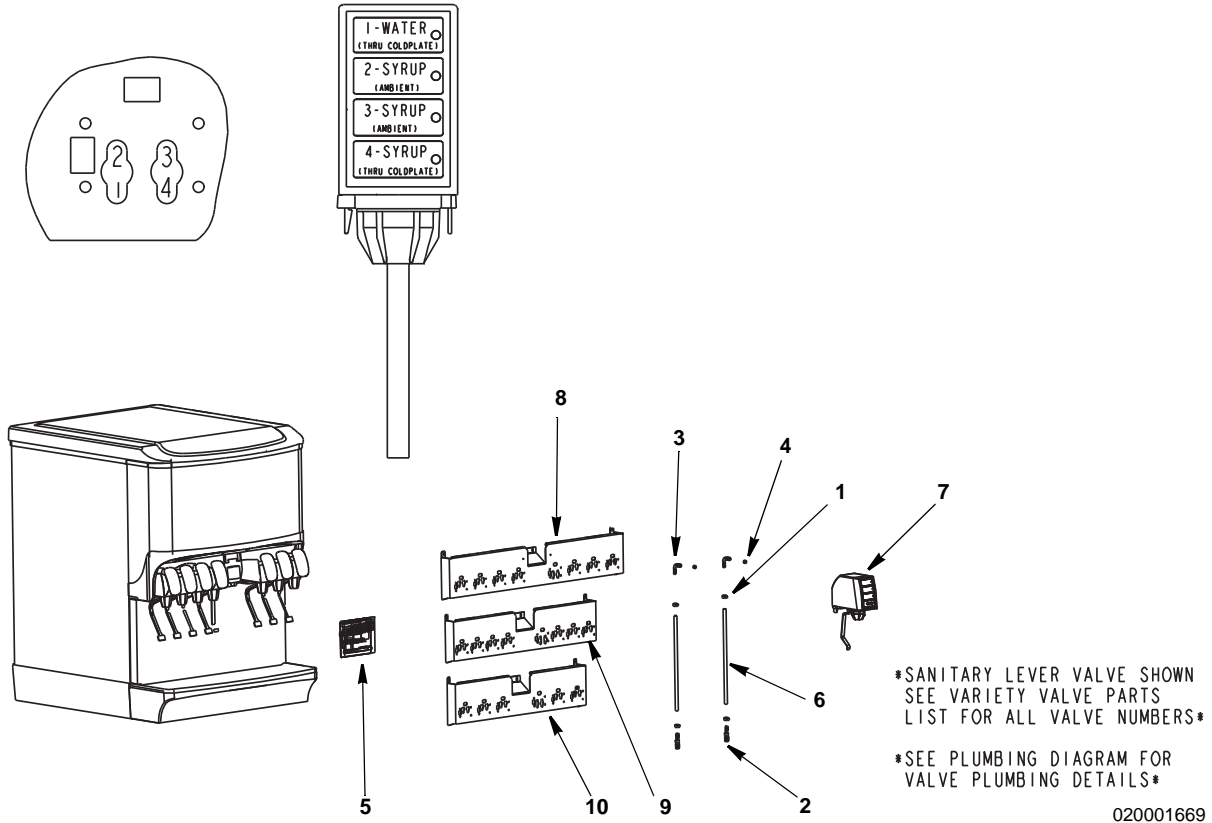
## DESCRIPTION

1	SS Stepless Clamp	.....
2	Splicer 1/4" x 3/8"	.....
3	90 Degree 1/4" Barb Inlet Elbow	.....
4	010 O-ring .239 ID x .070 W	.....
5	Plumbing Label - 2112 Right	.....
6	12" Syrup Tube	.....
7	Sanitary Lever Variety Valve	.....
8	Valve Mount Cap - 12 Valve	.....

## PART NO.

13.3-706R
00861302
5006468
5009080
5011803
5030920
030000070
020001426

# SV/SVi VARIETY VALVE PARTS



020001669

## DESCRIPTION

	DESCRIPTION	PART NO.
1	SS Stepless Clamp .....	13.3-706R
2	Splicer 1/4" x 3/8" .....	00861302
3	90 Degree 1/4" Barb Inlet Elbow .....	5006468
4	010 O-ring .239 ID x .070 W .....	5009080
5	<b>Plumbing Label</b>	
	a. 3-1-1-1-2 (SV-200/250) .....	5028014
	b. 3-1-1-1-2 (SV-175) .....	5029871
	c. 2-1-1-2 (SV-150) .....	020000254
6	12" Syrup Tube .....	5030920
7	Sanitary Lever Variety Valve .....	030000070
8	Valve Mount Cap -8 Valve (SV200/250) .....	5031084
9	Valve Mount Cap -8 Valve (SV175) .....	020000911
10	Valve Mount Cap -6 Valve (SV150) .....	020000909