



MARKET FORGE

IMPORTANT FOR FUTURE REFERENCE

Please complete this information and retain this manual for the life of the equipment:

Model #: _____

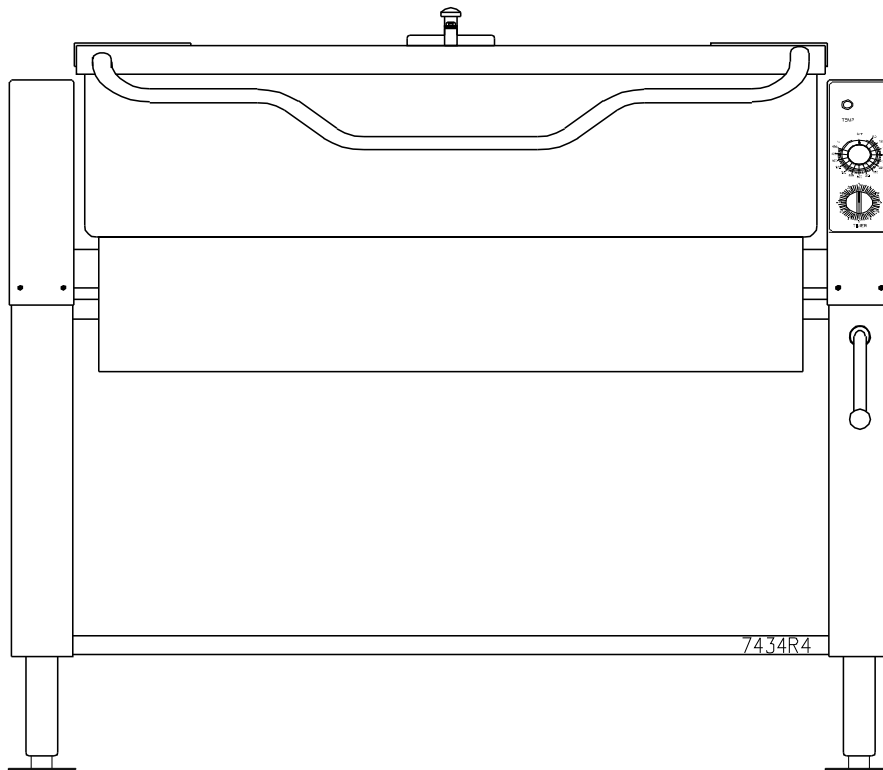
Serial #: _____

Date Purchased: _____

PARTS LIST

UniVerse Plus- Electric Tilting Skillet


30P-STEL (-LX) 40P-STEL (-LX) 30P-STEM (-LX) 40P-STEM (-LX)



WARNING

Improper installation, adjustment, alteration, service or maintenance can cause property damage, injury or death. Read the installation, operating and maintenance instructions thoroughly before installing or servicing this equipment.

CROWN FOOD SERVICE EQUIPMENT

 A Middleby Company

70 Oakdale Road, Downsview (Toronto) Ontario, Canada, M3N 1V9

Telephone: 919-762-1000 www.crownsteamgroup.com

Printed in Canada



PARTS LIST, ELECTRIC FIRED FRYING & BRAISING PANS, MODELS: 30P-STEL,
30P-STEL-LX, 40P-STEL, 40P-STEL-LX, 30P-STEM, 30P-STEM-LX, 40P-STEM, 40P-STEM-LX

FIGURE 1

<u>ITEM</u>	<u>PART NO.</u>	<u>DESCRIPTION</u>	<u>30</u>	<u>40</u>	
1.	7593-1	Pan Cover Assembly	1		
	7592-1	Pan Cover Assembly		1	
2.	7429-1	Left Hand Trunnion Assembly	1	1	
**	3.	7423-1	Faucet Cover Plate	1	1
	8764-1	Faucet Mounting Plate Pantry Faucet	1	1	
	8765-1	Faucet Mounting Plate Double Faucet	1	1	
4.	7502-1	Left Hand Console Top Cover	1	1	
5.	7492-1	Left Hand Console Tilt Shaft Bearing Bracket	1	1	
6.	7416-2	Lower Console Side Panel Left Hand	1	1	
7.	7410-1	Left Hand Console Front Cover	1	1	
8.	3560-1	Handle (8-2054-1)	1	1	
**	9.	5667-1	Crank Handle	1	1
	5667-2	Crank Handle (Right Hand Draw-Off Valve)	1	1	
10.	7500-1	Input Shaft Adaptor	1	1	
11.	5380-1	Adjustable Bullet Foot	2	2	
12.	7409-1	Right Hand Front Console Cover	1	1	
13.	5661-1	Decal	1	1	
14.	9169-1	Timer complete with Dial	1	1	
15.	9148-1	Thermostat Dial	1	1	
*	9109-1	Rotary Shaft Seal	1	1	
16.	4661-4	Pilot Light - Temperature, Red	1	1	

PARTS LIST, ELECTRIC FIRED FRYING & BRAISING PANS, MODELS: 30P-STEL,
30P-STEL-LX, 40P-STEL, 40P-STEL-LX, 30P-STEM, 30P-STEM-LX, 40P-STEM, 40P-STEM-LX

FIGURE 1

<u>ITEM</u>	<u>PART NO.</u>	<u>DESCRIPTION</u>	<u>30</u>	<u>40</u>
17.	7501-1	Right Hand Console Top Cover	1	1
** 18.	5688-1	Spring Retainer	2	2
	M50X-51618-112	Hex HD Screw	4	4
	F01S516	Washer	4	4
	5693-1	Spacer	4	4
19.	7403-1	Gear Box Assembly	1	1
20.	5379-1	Flanged Adjustable Foot	2	2
21.	7416-1	Lower Console Side Cover Right Hand	1	1
22.	7427-1	Tilt Shaft	1	
	7427-2	Tilt Shaft		1
23.	7419-1	Tilt Arm Extension	2	2
24.	7417-1	Tilt Arm	2	2
25.	9193-2	Roll Pin	2	2
	M50S-1420-134	Hex Bolt	2	2
26.	9695-1	Spring, Right Hand	1	1
	9694-1	Spring, Left Hand	1	1
27.	7598-1	Back Cover Panel (Modular Units)	1	
	7598-2	Back Cover Panel (Modular Units)		1
28.	7607-1	Front Cover Panel (Modular Units)	1	
	7607-2	Front Cover Panel (Modular Units)		1
29.	7428-1	Right Hand Trunnion Assembly	1	1
30.	7424-1	Post Assembly	2	2

PARTS LIST, ELECTRIC FIRED FRYING & BRAISING PANS, MODELS: 30P-STEL,
 30P-STEL-LX, 40P-STEL, 40P-STEL-LX, 30P-STEM, 30P-STEM-LX, 40P-STEM, 40P-STEM-LX

FIGURE 1

<u>ITEM</u>	<u>PART NO.</u>	<u>DESCRIPTION</u>	<u>30</u>	<u>40</u>	
31.	M50S-1420-34	Hex HD Screw	8	8	
32.	3725-1	Lock Pin (8-2029)	2	2	
33.	3726-1	End Lock Plate (8-2035L)	2	2	
34.	5428-1	Stationary Disc	2	2	
35.	5430-1	Core	2	2	
36.	4008-1	Spring (8-2026)	2	2	
37.	5429-1	Rotary Disc	2	2	
38.	3727-1	End Stop Plate (8-2021)	2	2	
39.	4139-1	Vent Cover	1	1	
40.	4355-1	Swivel Spacer	1	1	
41.	5817-1	Arm	1	1	
42.	9248-1	Knob	1	1	
43.	9031-5	Acorn Nut	1	1	
44.	F105N-14	Flat Washer	2	2	
45.	4355-1	Swivel Base	1	1	
46.	9228-1	Limit Switch (4-M605)	1	1	
*	47.	7404-1	Pour Lip Strainer	1	1
	48.	5694-1	Tilt Handle Bracket	1	1
	49.	5611-1	Potentiometer Spacer	1	1
	50.	9032-9	Spring Tension Pin	2	2
**	51.	7413-1	Lower Right Console Inside Panel	1	1
		Rear Section (Manual Tilt Skillet)			

PARTS LIST, ELECTRIC FIRED FRYING & BRAISING PANS, MODELS: 30P-STEL,
 30P-STEL-LX, 40P-STEL, 40P-STEL-LX, 30P-STEM, 30P-STEM-LX, 40P-STEM, 40P-STEM-LX

FIGURE 1

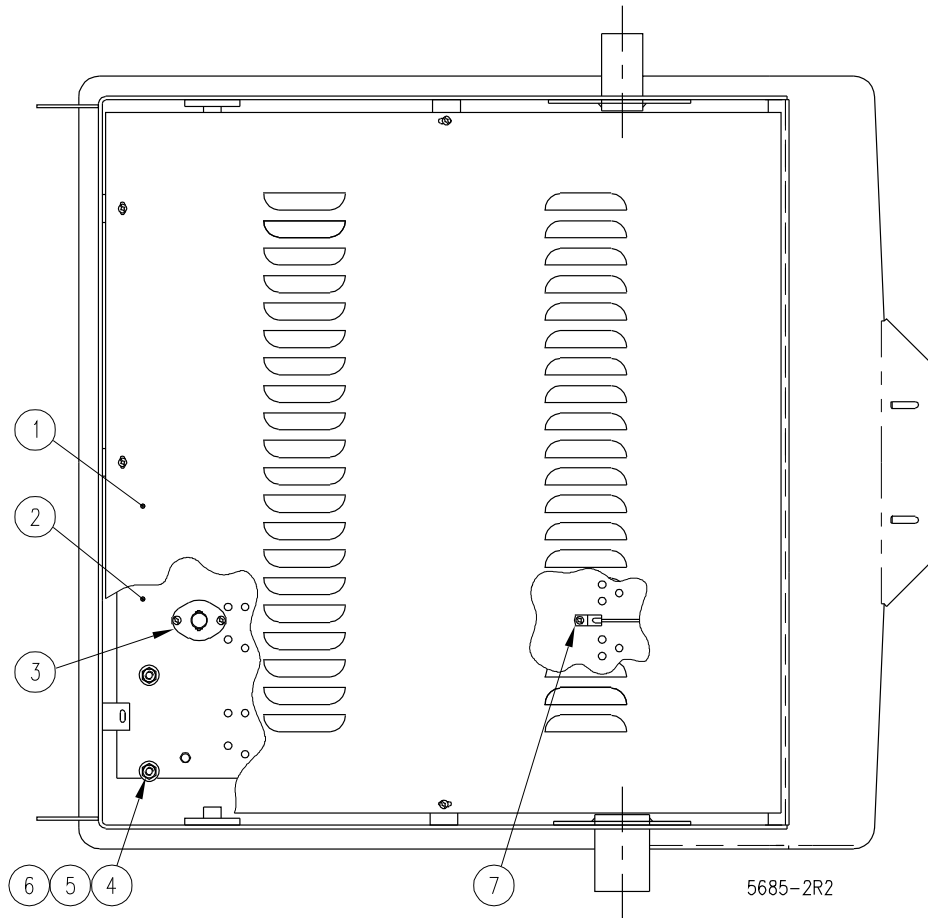
<u>ITEM</u>	<u>PART NO.</u>	<u>DESCRIPTION</u>	<u>30</u>	<u>40</u>
	7608-1	Lower Right Console Inside Panel Rear Section (Power Tilt Skillet)	1	1

* NOT SHOWN

** SELECT AS REQUIRED

PARTS LIST, ELECTRIC FIRED FRYING & BRAISING PANS, MODELS: 30P-STEL,
30P-STEL-LX, 40P-STEL, 40P-STEL-LX, 30P-STEM, 30P-STEM-LX, 40P-STEM, 40P-STEM-LX

FIGURE 2



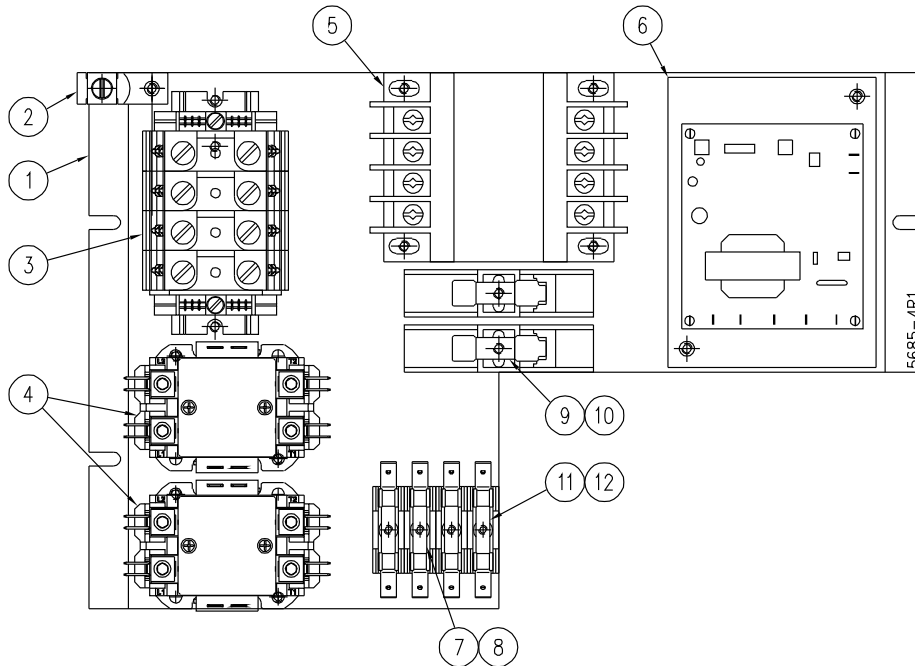
<u>ITEM</u>	<u>PART NO.</u>	<u>DESCRIPTION</u>	<u>QUANTITY</u>	
			<u>30</u>	<u>40</u>
1.	7583-1	Bottom Cover	1	
	7584-1	Bottom Cover		1
2.	7544-208	Element Block Assembly, 208V, 6 kW	2	3
	7544-220	Element Block Assembly, 220V, 6 kW	2	3
	7544-240	Element Block Assembly, 240V, 6 kW	2	3

PARTS LIST, ELECTRIC FIRED FRYING & BRAISING PANS, MODELS: 30P-STEL,
 30P-STEL-LX, 40P-STEL, 40P-STEL-LX, 30P-STEM, 30P-STEM-LX, 40P-STEM, 40P-STEM-LX

<u>ITEM</u>	<u>PART NO.</u>	<u>DESCRIPTION</u>	<u>QUANTITY</u>	
			<u>30</u>	<u>40</u>
	7544-277	Element Block Assembly, 277V, (480V), 6 kW	2	3
	7544-347	Element Block Assembly, 347V, (600V), 6 kW	2	3
3.	4874-1	High Limit Thermostat	1	1
4.	9030-2	Hex Nut	56	80
5.	9063-1	Disc Springs A1 Series 3/8	56	80
6.	3599-1	Element Block Spacer	28	40
7.	9288-100	Thermocouple	1	1

PARTS LIST, ELECTRIC FIRED FRYING & BRAISING PANS, MODELS: 30P-STEL, 30P-STEL-LX, 40P-STEL, 40P-STEL-LX, 30P-STEM, 30P-STEM-LX, 40P-STEM, 40P-STEM-LX

FIGURE 3



<u>ITEM</u>	<u>PART NO.</u>	<u>DESCRIPTION</u>	<u>QUANTITY</u>	
1.	8561-1	Component Mounting Board	1	
2.	4190-1	Ground Lug (4-70EU)	1	
**	3.	6161-3	Modular Terminal Assembly, 3 Pole, 380 - 600V	1
		Includes the following parts:		
	9374-1	Modular Terminal, Grey	3	
	9375-1	End Plate	1	
	9369-1	End Clamp	2	
	9368-079	Mounting Rail, 79 mm	1	
**	3.	6161-4	Modular Terminal Assembly, 4 Pole, 208 - 240V	1
		Includes the following parts:		
	9374-1	Modular Terminal, Grey	4	

PARTS LIST, ELECTRIC FIRED FRYING & BRAISING PANS, MODELS: 30P-STEL,
30P-STEL-LX, 40P-STEL, 40P-STEL-LX, 30P-STEM, 30P-STEM-LX, 40P-STEM, 40P-STEM-LX

<u>ITEM</u>	<u>PART NO.</u>	<u>DESCRIPTION</u>	<u>QUANTITY</u>
	9375-1	End Plate	1
	9369-1	End Clamp	2
	9368-098	Mounting Rail, 98 mm	1
**	3.	6161-4N Modular Terminal Assembly, 3 Pole with Neutral, 380/220V, 415/240V	1
		Includes the following parts:	
	9374-1	Modular Terminal, Grey	3
	9374-2	Modular Terminal, Blue	1
	9375-1	End Plate	1
	9369-1	End Clamp	2
	9368-098	Mounting Rail, 98 mm	1
	4.	9371-1 Contactor, 2 Pole 208/240 VAC, 50/60 Hz	2
**	5.	4298-100 Transformer, 380-415/240V (4-T251)	1
		9216-100 Transformer, 480/240V (4-T255)	1
	6.	5555-2 Temperature Control	1
**	7.	9092-1 Fuse, 1A, 250V (208-240V)	2
		9092-3 Fuse, 3A, 250V (380/220, 415/240V)	1
	8.	9068-1 Fuse Holder	2/1
	9.	9001-2 Fuse, 1/2A, 600V, (380, 415, 480V)	2
	10.	9002-1 Fuse Holder	2
	11.	9173-2 Fuse Time Delay, 0.3A, 250V, STEL-LX, STEM-LX	2
	12.	9068-1 Fuse Holder, STEL-LX, STEM-LX	2

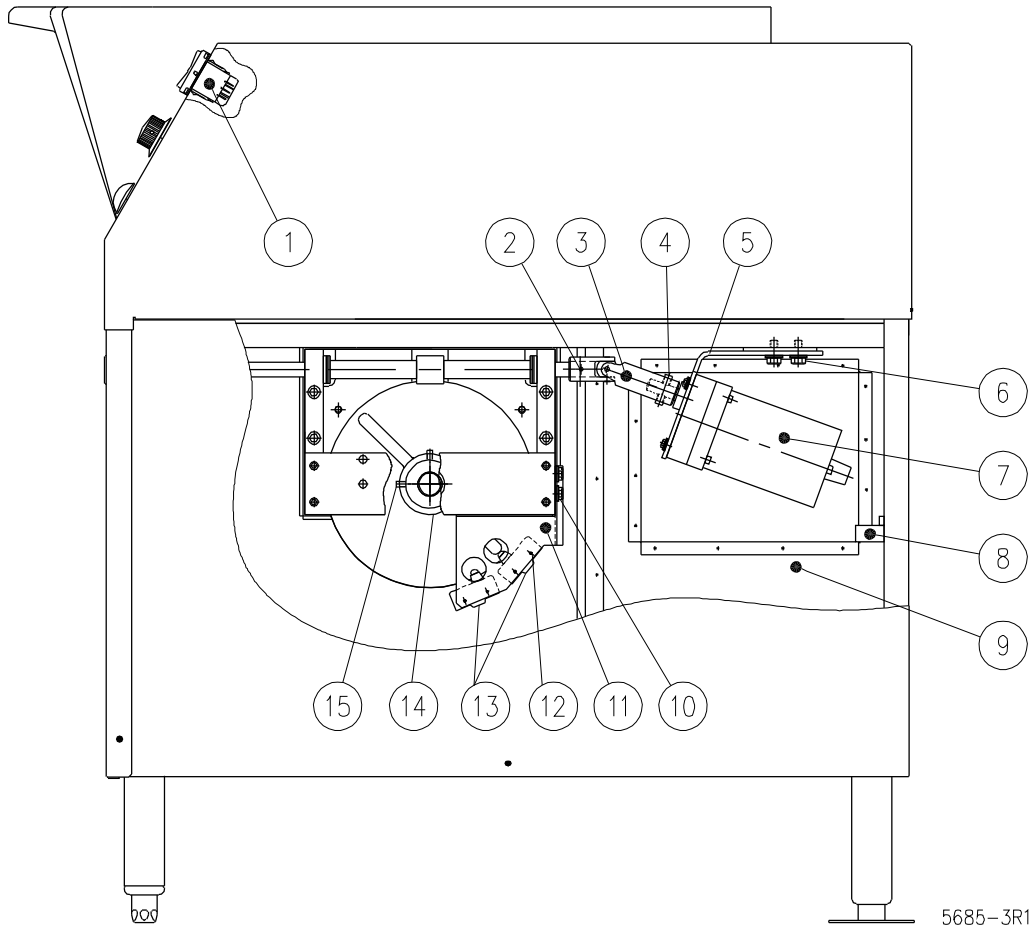
* NOT SHOWN

** SELECT AS REQUIRED

PARTS LIST, ELECTRIC FIRED FRYING & BRAISING PANS, MODELS: 30P-STEL,
30P-STEL-LX, 40P-STEL, 40P-STEL-LX, 30P-STEM, 30P-STEM-LX, 40P-STEM, 40P-STEM-LX

POWER TILT COMPONENTS, LX MODELS

FIGURE 4



PARTS LIST, ELECTRIC FIRED FRYING & BRAISING PANS, MODELS: 30P-STEL,
30P-STEL-LX, 40P-STEL, 40P-STEL-LX, 30P-STEM, 30P-STEM-LX, 40P-STEM, 40P-STEM-LX

FIGURE 4

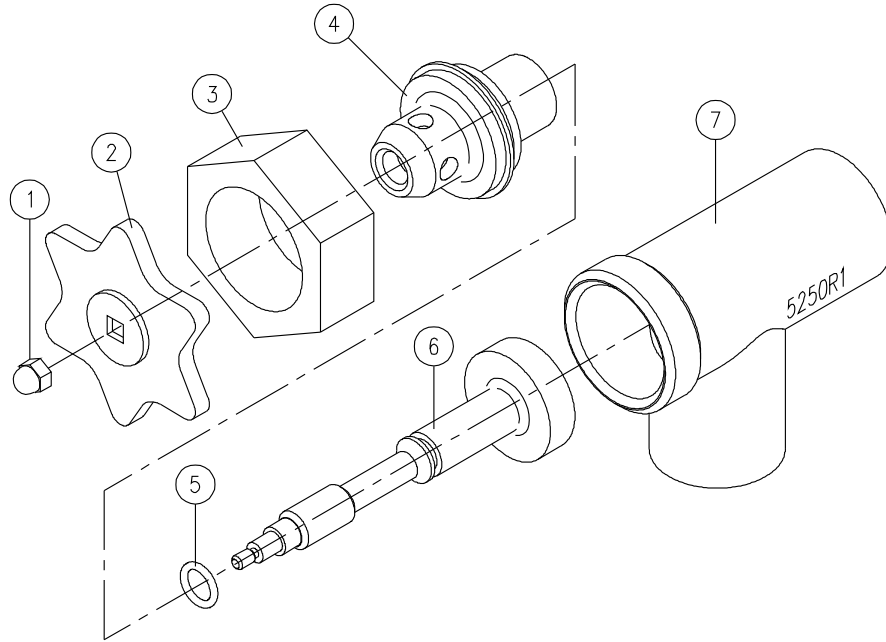
<u>ITEM</u>	<u>PART NO.</u>	<u>DESCRIPTION</u>	<u>QUANTITY</u>	
1.	9179-1	Tilt Switch	1	
2.	9032-7	Spring Tension Pin (2-T6U5)	1	
3.	9191-1	Universal Joint	1	
4.	9061-9	Set Screw	2	
5.	7599-1	Motor Mounting Bracket	1	
**	6.	M50S-51618-34	Hex HD Screw	3
		F101X-516	Flat Washer	3
		S01X-516	Lock Washer	3
7.	9181-2	Motor, 230V	1	
8.	9192-2	Capacitor	1	
9.	7608-1	Lower Rear Access Panel	1	
10.	M50S-1420-12	Hex HD Screw	2	
11.	5673-1	Switch Mounting Bracket	1	
12.	M12X-632-1	Round HD Screw	4	
13.	9228-1	Limit Switch (4-M605)	2	
14.	5674-1	Cam Actuator	1	
15.	9061-4	Set Screw	2	
** *	16.	9068-1	Fuse Holder	2
		9173-2	Fuse, Time Delay, 0.3A, 250V	2

* NOT SHOWN

** SELECT AS REQUIRED

PARTS LIST, ELECTRIC FIRED FRYING & BRAISING PANS, MODELS: 30P-STEL,
30P-STEL-LX, 40P-STEL, 40P-STEL-LX, 30P-STEM, 30P-STEM-LX, 40P-STEM, 40P-STEM-LX

FIGURE 5



DRAW-OFF VALVE

<u>ITEM</u>	<u>PART NO.</u>	<u>DESCRIPTION</u>	<u>QUANTITY</u>
	4136-1	2" DRAW-OFF VALVE ASSEMBLY (3-D020)	
1.	9031-3	Acorn Nut	1
2.	4115-1	Valve Handle	1
3.	4216-1	Gland Nut (3-DV23)	1
4.	4215-1	Bonnet (3-DV24)	1
5.	9207-1	"O" Ring (3-DV26)	1
6.	4217-1	Stem Assembly (3-DV25RV)	1
7.	4218-1	Valve Body (3-DV27)	1
*	8.	7580-1 Draw-Off Strainer, Optional	1

* NOT SHOWN.