



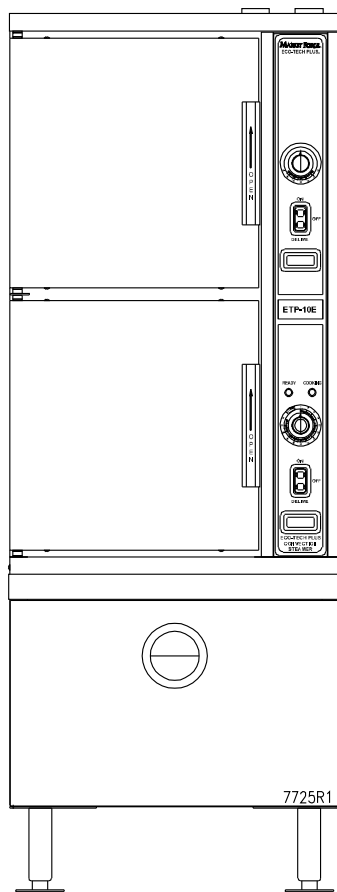
MARKET FORGE

IMPORTANT FOR FUTURE REFERENCE
 Please complete this information and retain this manual for the life of the equipment:

Model #: _____
 Serial #: _____
 Date Purchased: _____

PARTS LIST


97 C!H97 <# 'D@ G
 9`YWfjW7 cbj YWjcb`GhYUa Yf
 9 HD!%\$9



WARNING

Improper installation, adjustment, alteration, service or maintenance can cause property damage, injury or death. Read the installation, operating and maintenance instructions thoroughly before installing or servicing this equipment.

CROWN FOOD SERVICE EQUIPMENT

 A Middleby Company

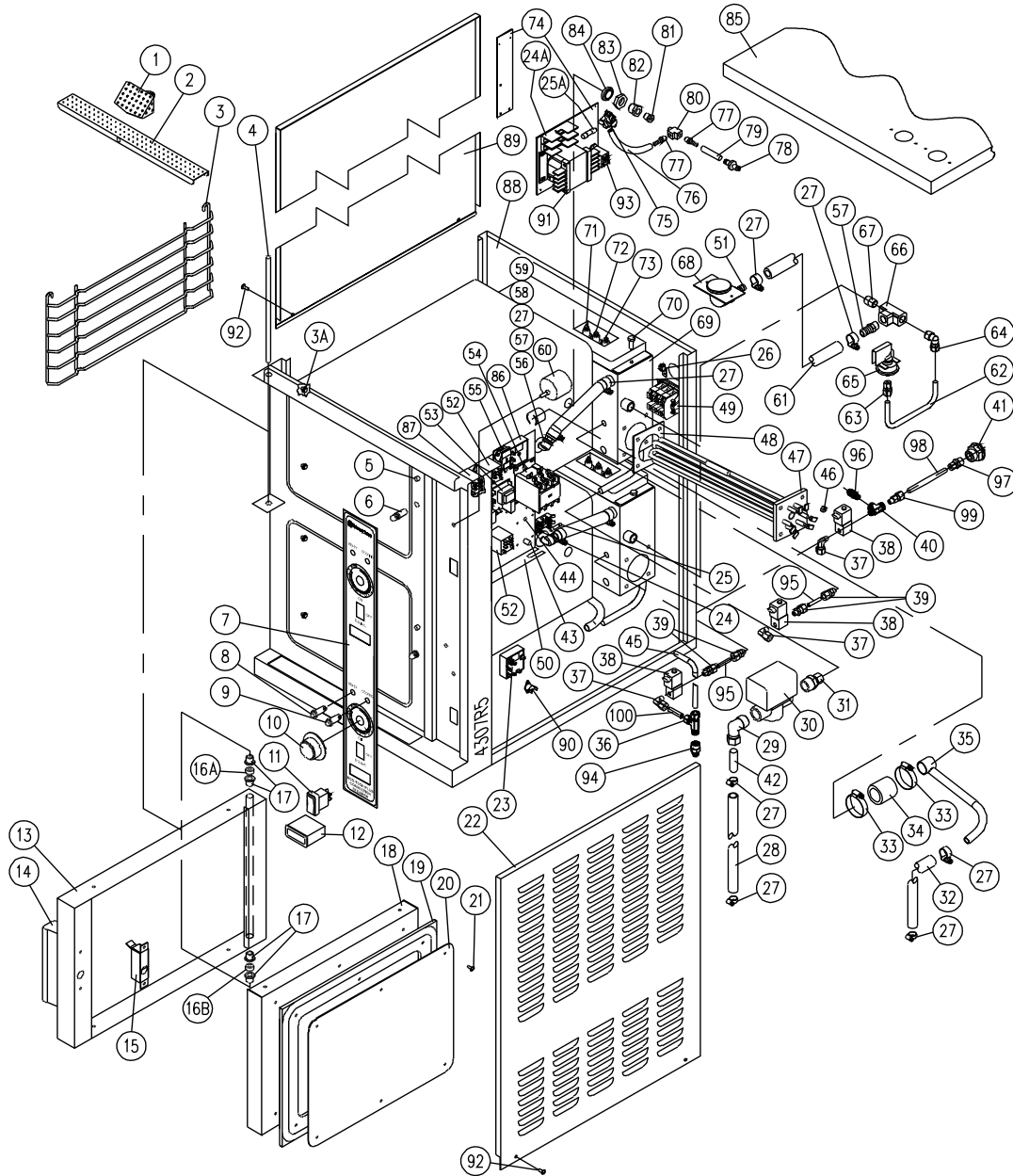
70 Oakdale Road, Downsview (Toronto) Ontario, Canada, M3N 1V9
 Telephone: 919-762-1000 www.crownsteamgroup.com

Printed in Canada



PARTS LIST, ELECTRIC CONVECTION STEAMER, MODEL ETP-10E

FIGURE 1



PARTS LIST, ELECTRIC CONVECTION STEAMER, MODEL ETP-10E

FIGURE 1

<u>ITEM</u>	<u>PART NO.</u>	<u>DESCRIPTION</u>	<u>QTY.</u>
1	5224-2	Compartment Strainer	2
2	2283-1	Drip Trough Strainer [8-5023]	1
3	2681-3	Pan Rack	4
3A	4721-1	Rack Hanger Pin Assembly	8
4	3977-2	Hinge Rod	1
5	3775-1	Push Rod Assembly c/w Retaining Ring [9-3336]	2
*	9208-1	Limit Switch [9-3213]	2
6	3498-1	Striker [8-5021]	2
7	7713-1	Control Panel Decal	1
8	4753-1	Pilot Light, Green, 250V [4-PL04-1]	2
9	4753-4	Pilot Light, Red, 250V [4-PL07-1]	2
10	9431-1	Knob	2
11	9124-1	Rocker Switch DPDT	2
12	9432-1	Temperature Indicator	2
*	9433-1	Grommet	2
13	2840-1	Outer Door Shell [8-5060-8]	2
14	3903-2	Door Handle Assembly	2
15	3900-1	Latch Assembly [8-5068-9]	2
16A	5716-1	Door Spacer, Upper	2
16B	5717-1	Door Spacer, Lower	2
17	3506-1	Door Bushing [8-5078]	8
18	2841-1	Door Panel [8-5065-8]	2
19	2669-1	Door Gasket [8-5063-8]	2
20	2842-1	Gasket Retaining Plate [8-5064-8]	2
21	9423-1	Special Screw	12

PARTS LIST, ELECTRIC CONVECTION STEAMER, MODEL ETP-10E

FIGURE 1

<u>ITEM</u>	<u>PART NO.</u>	<u>DESCRIPTION</u>	<u>QTY.</u>	
22	2280-1	Removable Panel, RH	1	
23	9224-2	Time Delay Relay, 230V, Cooling	1	
**	24	9068-1	Fuse Holder, 25A, 300V (208 - 240V)	4
	9068-1	Fuse Holder, 25A, 300V (220/380V, 240/465V)	2	
24A	9002-1	Fuse Holder, 30A, 600V (380-600V)	4	
**	25	9092-2	Fuse, 2 Amp., 250V (208-240V)	4
	9092-2	Fuse, 2 Amp., 250V (220/380V, 240/465V)	2	
25A	9001-2	Fuse, 1/2 Amp., 600V (380-600V)	4	
26	4190-1	Ground Lug [4-70EU]	1	
27	9017-2	Gear Clamp	20	
28	9219-300	Hose, Upper Generator, Drain	1	
	9219-120	Hose, Lower Generator, Drain	1	
29	6959-7	Elbow 90°, Brass [3-6910E]	2	
30	9360-1	Solenoid Valve,240V,Blowdown [3-S543-1]	2	
31	9768-15	Brass Connector [3-688E]	2	
**	32	9219-320	Upper Tubing, Silicone, Upper Cavity Drain	1
	9219-120	Lower Tubing, Silicone, Lower Cavity Drain	1	
33	9017-5	Hose Clamp	4	
34	9230-016	Drain Hose	2	
35	7714-1	Drain Tube Assembly	2	
36	9872-3	Brass Tee [3-716B]	1	
37	3659-3	Brass Elbow [3-696A]	3	
38	5162-2	Solenoid Valve 240V	3	
39	9768-3	Brass Connector [3-684A]	4	
40	9844-1	Forged Street Tee [3-107A]	1	

PARTS LIST, ELECTRIC CONVECTION STEAMER, MODEL ETP-10E

FIGURE 1

<u>ITEM</u>	<u>PART NO.</u>	<u>DESCRIPTION</u>	<u>QTY.</u>	
41	9117-1	Terminal Bolt	1	
42	9705-40-020	Tubing, Copper	2	
43	9126-1	Stand-by Thermostat	2	
44	9128-1	High Limit Safety Thermostat	2	
45	6317-1	Copper Tube	1	
46	9030-1	Hex Nut	8	
**	47	8-5050	Heating Element, 10 kW, (208V)	2
		8-5056	Heating Element, 10 kW (220V, 380/220V)	2
		8-5051	Heating Element, 10 kW (240V, 415/240V)	2
		8-5052	Heating Element, 10 kW (480/277V)	2
		8-5347-1	Heating Element, 10 kW (600/347V)	2
48	8-5092	Element Gasket	2	
**	49	6161-3	Modular Terminal Assy, 3 Pole	1
		Includes Following Parts:	1	
		9374-1	Modular Terminal, Grey	3
		9375-1	End Plate	1
		9369-1	End Clamp	2
		9368-079	Mounting Rail	1
**	49	6161-4N	Modular Terminal Assy, 3 Pole w/Neutral	1
		Includes Following Parts:		
		9374-1	Modular Terminal, Grey	3
		9374-2	Modular Terminal, Blue	1
		9375-1	End Plate	1
		9369-1	End Clamp	2
		9368-098	Mounting Rail	1

PARTS LIST, ELECTRIC CONVECTION STEAMER, MODEL ETP-10E

FIGURE 1

<u>ITEM</u>	<u>PART NO.</u>	<u>DESCRIPTION</u>	<u>QTY.</u>	
	50	7738-1	Component Mounting Board	2
	51	9053-9	Brass Hose Coupler	2
	52	9332-2	Relay, DPDT, 240V	4
**	53	4038-3	Level Control Board, 10K OHM 208/240 VAC	2
		5230-2	Level Control Board, 1M, OHM, 208/240 VAC	4
	54	9348-208	Contactora, 208V - 240V	2
	55	4742-1	Buzzer, 240V	2
	56	9665-5	Brass Street Elbow [3-116CB]	4
	57	9053-7	Brass Hose Coupler	6
	58	9219-100	Silicone Blue Hose, RH	2
	59	9219-094	Silicone Blue Hose, LH	2
	60	9434-1	Timer, 60 Minutes, 240V	2
*		9109-1	Rotary Shaft Seal	2
**	61	9219-210	Hose, Upper Delime	1
		9219-370	Hose, Lower Delime	1
	62	5494-1	Pressure Switch Tube	2
	63	9814-6	Connector [3-666C]	2
	64	9659-13	Brass Elbow, 90° [3-696C]	2
	65	5445-1	Pressure Switch, Safety 5 PSI	2
	66	9791-1	Brass Extruded Tee [3-X101C]	2
	67	9841-2	Brass Close Nipple [3-112C]	2
	68	4305-1	Delime Port Assembly	2
		Including the following parts:		
		6318-1	Delime Port Plug	2
		9207-14	"O" Ring [2-218R]	2

PARTS LIST, ELECTRIC CONVECTION STEAMER, MODEL ETP-10E

FIGURE 1

<u>ITEM</u>	<u>PART NO.</u>	<u>DESCRIPTION</u>	<u>QTY.</u>	
69	6947-1	Generator Tank	2	
	2906-1	Tank Cover	2	
	4226-1	Tank Cover Gasket [9-3214]	2	
70	M50S-51618-1	Hex Head Bolt	4	
71	3738-3	Probe - Low Level Cut-Off	2	
72	3738-2	Probe - Low Level	2	
73	3738-16	Probe, High Level [4-LLP2]	2	
**	74	5703-1	Pressure Switch Bracket (208-240V)	2
		7728-1	Pressure Switch/Transformer Bracket (480-600V)	2
75	9247-1	Pressure Switch, Operating	2	
76	9222-080	Tubing, Silicone, 1/4" I.D.	2	
77	9053-8	Brass Hose Barb	4	
78	9447-1	Vacuum Breaker	2	
79	9222-020	Tubing, Silicone, 1/4" I.D.	2	
80	9877-1	Brass Extruded Street Tee [3-X107A]	2	
81	9770-1	Brass Bushing [3-110BA]	2	
82	9770-4	Brass Bushing [3-110DB]	2	
83	9878-1	Brass Lock Nut [3-111D]	2	
84	9435-1	Sealing Nut	2	
85	7726-1	Top Panel	1	
86	9242-2	Time Delay Relay, 230V, Operating	2	
87	9332-2	Relay DPDT, 240V, Single Pole in Use	2	
88	8162-1	Back Panel	1	
89	2280-7	Removable Panel, LH	1	
90	9448-1	Hold Thermostat, 175°F	2	

PARTS LIST, ELECTRIC CONVECTION STEAMER, MODEL ETP-10E

FIGURE 1

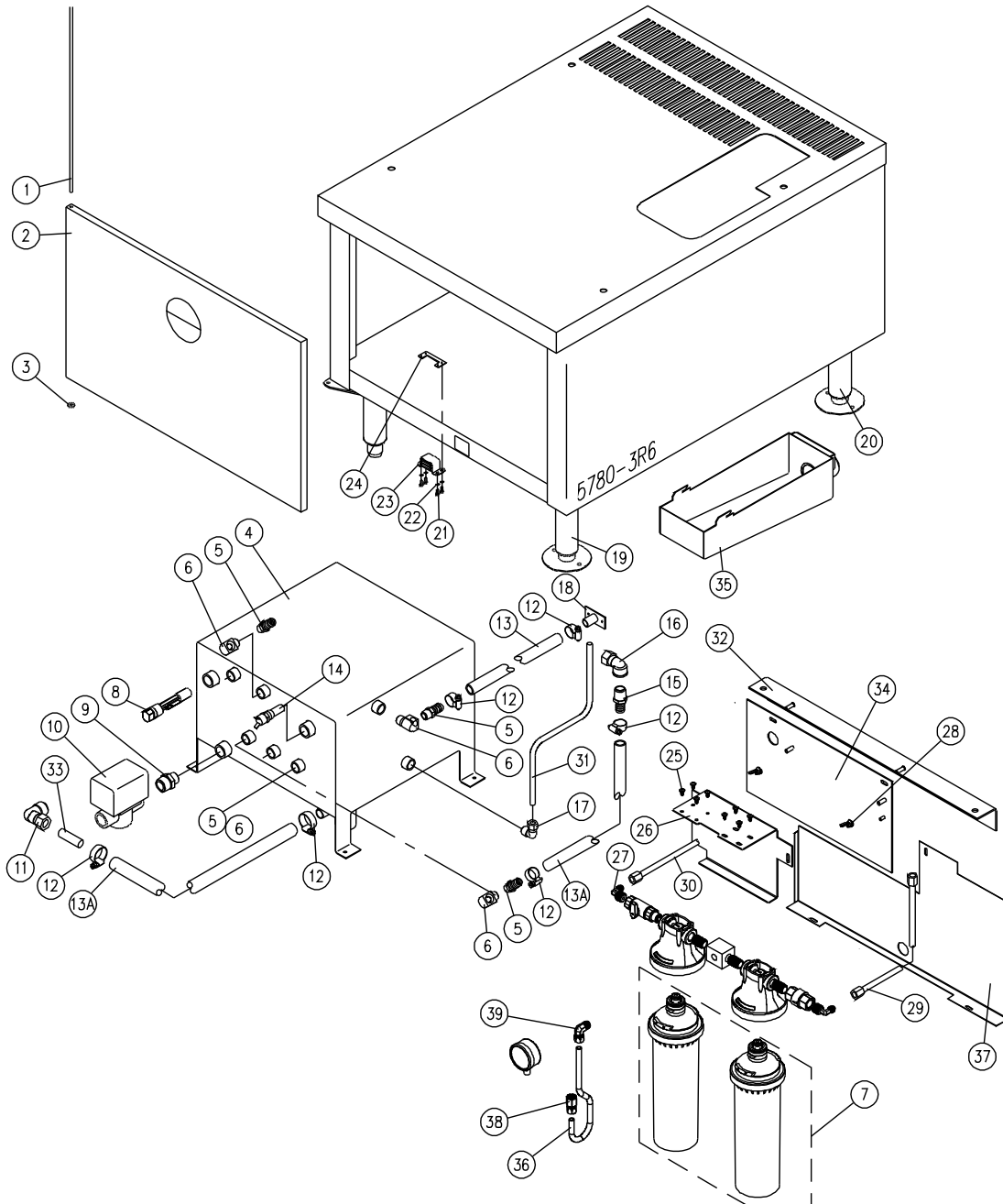
<u>ITEM</u>	<u>PART NO.</u>	<u>DESCRIPTION</u>	<u>QTY.</u>	
**	91	4-T251	Transformer, 380/415-240V, 100VA	1
		4-T255	Transformer, 480-240V, 100VA	1
		4-T260	Transformer, 600-240V, 100VA	1
	92	M33S-1032-12	Truss HD Screw	2
	93	9344-2	12 Amp Power Relay, DPDT, 220V	2
	94	9879-1	Brass Connector [3-465B]	1
	95	9705-51-013	Tube, SS	2
	96	9880-1	Brass Connector Flare [3-485A]	1
	97	9768-9	Brass Connector [3-686C]	1
	98	9705-39-036	Copper Tube	1
	99	9768-7	Brass Connector [3-686A]	1
	100	9705-39-013	Copper Tube	1

* NOT SHOWN.

** SELECT AS REQUIRED.

PARTS LIST, ELECTRIC CONVECTION STEAMER, MODEL ETP-10E

FIGURE 2



PARTS LIST, ELECTRIC CONVECTION STEAMER, MODEL ETP-10E

FIGURE 2

<u>ITEM</u>	<u>CROWN PART NO.</u>	<u>DESCRIPTION</u>	<u>QTY.</u>	
1.	4780-2	Hinge Rod	1	
2.	5772-1	Cabinet Door Assembly	1	
3.	F01S-316	Flat Washer	1	
4.	8755-1	Tempering Tank	1	
5.	9053-7	Brass Hose Barb	6	
6.	9876-1	Brass Extruded, Street Elbow [3-X115C]	6	
7.	71558241	Cartridge Reordering Kit	1	
8.	9436-1	Float Switch	1	
9.	9843-6	Hex Nipple [3-122ED]	1	
10.	9360-1	Drain Valve, Tank, 240V [3-S543-1]	1	
11.	9659-7	Brass Elbow [3-6910E]	1	
12.	9017-3	Hose Clamp	8	
13.	9219-140	Hose, Vent	1	
13A	9219-140	Hose, Drain	2	
14.	9437-1	Tank Thermostat, 130°F	1	
15.	9053-9	Brass Hose Barb	1	
16.	9740-15	Brass Elbow [3-7010D]	1	
17.	9659-13	Brass Elbow [3-696C]	1	
18.	5773-1	Vent	1	
**	19.	5379-1	Adjustable Flange Foot	2
*		5381-1	Swivel Caster, 5", c/w Brake, Optional	2
**	20.	5379-1	Adjustable Flanged Foot	2
*		5382-1	Swivel Caster, 5", Optional	2

PARTS LIST, ELECTRIC CONVECTION STEAMER, MODEL ETP-10E

<u>ITEM</u>	<u>CROWN PART NO.</u>	<u>DESCRIPTION</u>	<u>QTY.</u>
21.	M93X-632-38	Pan Slot Head Screws	4
22.	S01S-6	Spring Lock Washer	4
23.	4777-1	Magnetic Catch	1
24.	4775-1	Magnetic Catch Plate	1
25.	AB92S-10-12	Sheet Metal Screw	8
26.	8821-1	Head Assembly Bracket	1
27.	9413-516-38	Brass Elbow, Flare	2
28.	9842-1	Wing Nut, SS	2
29.	9441-1	Flexible Hose, Water Out	1
30.	9441-2	Flexible Hose, Water In	1
31.	6275-1	Tube, Copper, Water Inlet	1
32.	7845-1	Mounting Bracket	1
33.	9705-40-020	Tubing, Copper	1
34.	9823-1	Mounting Plate Assembly	1
35.	7729-1	Drain Collector	1
36.	9828-1	Gauge Tube, Copper	1
37.	7844-2	Lower Cabinet Shield	1
38.	9814-5	Brass Connector	1
39.	9659-12	Brass Elbow	1