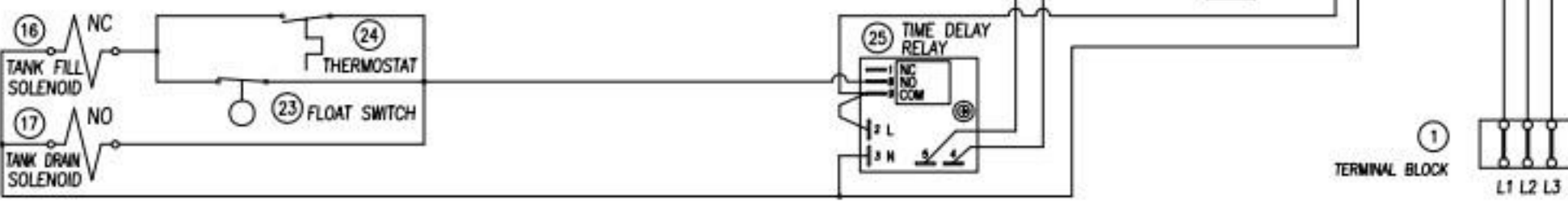
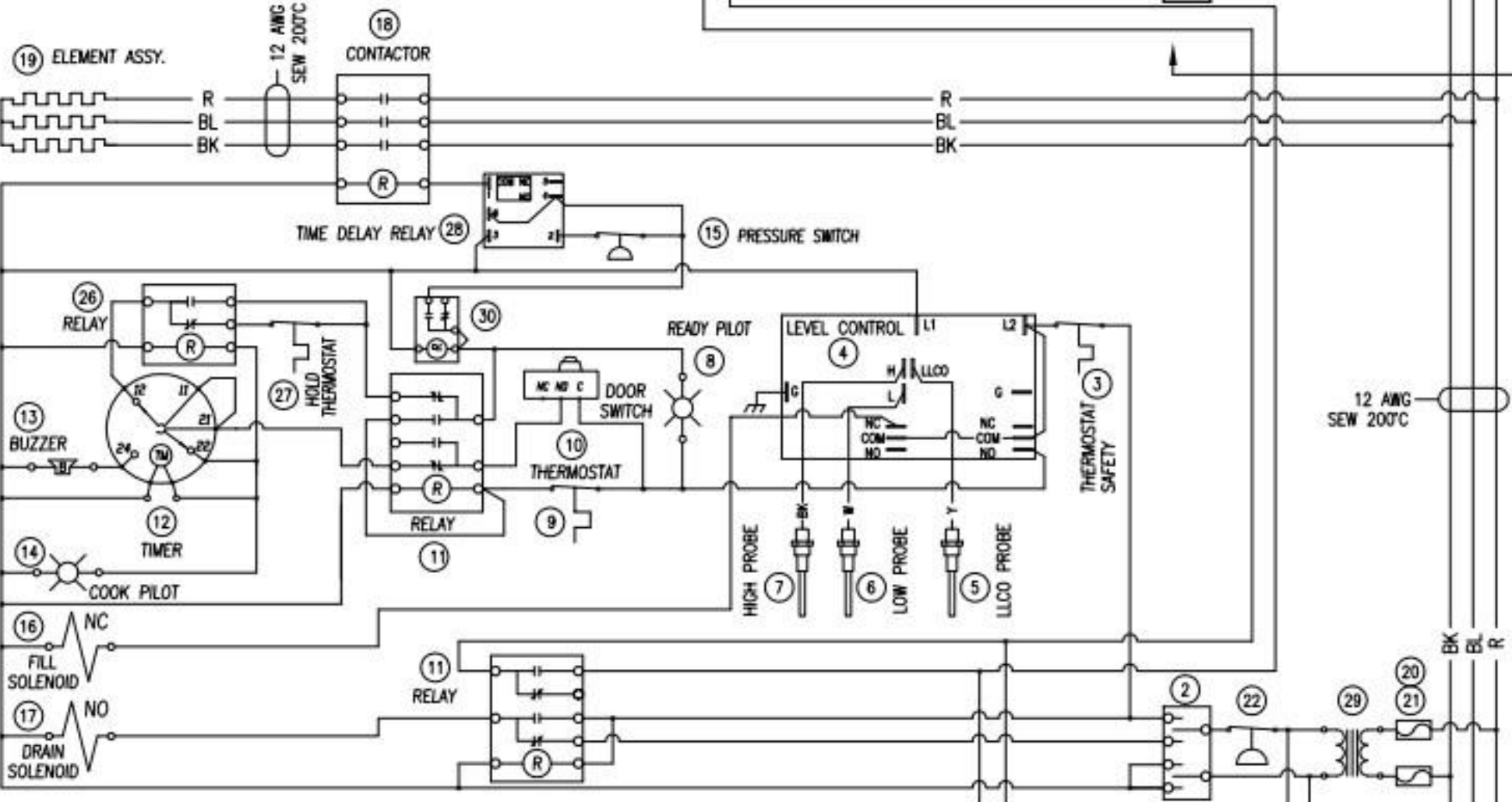
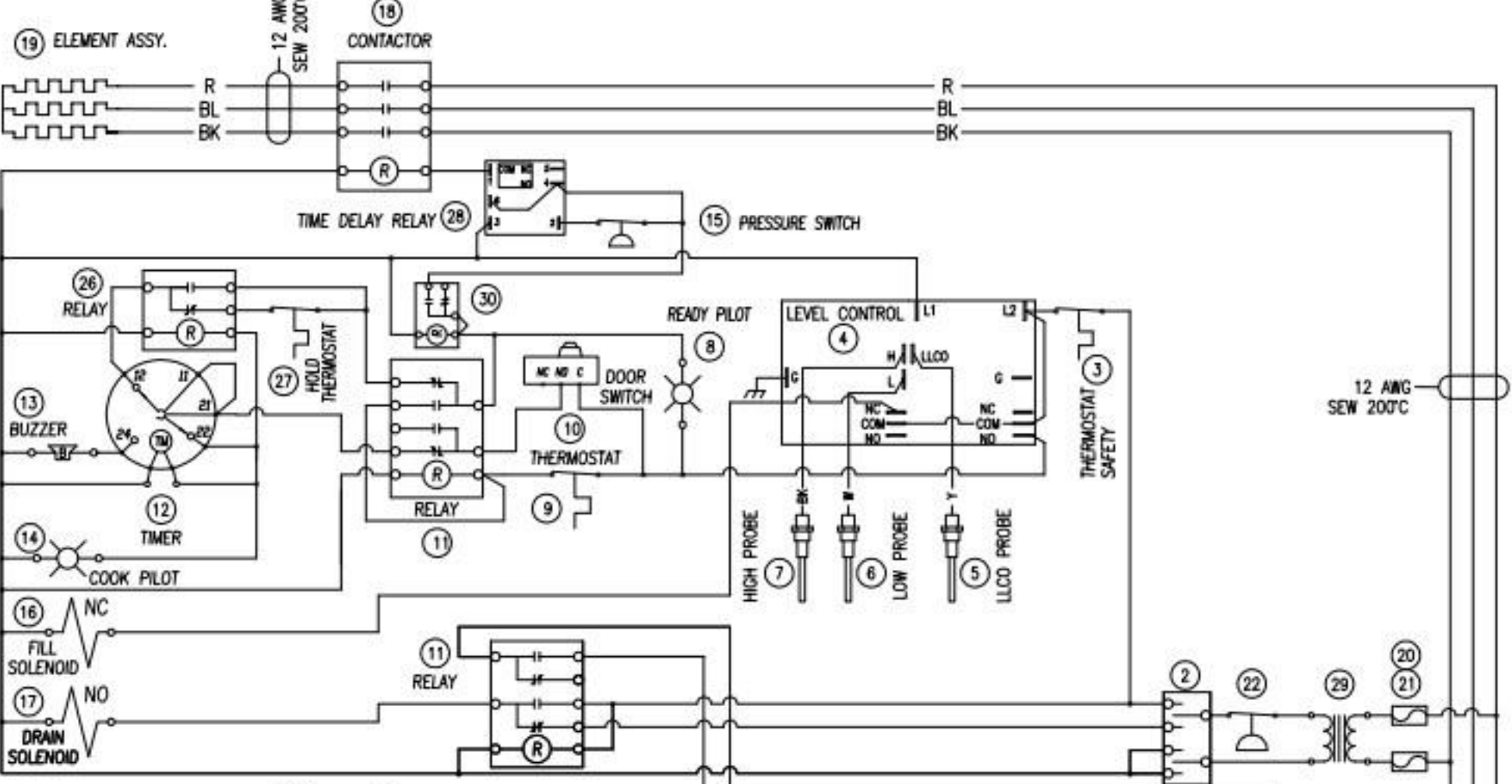
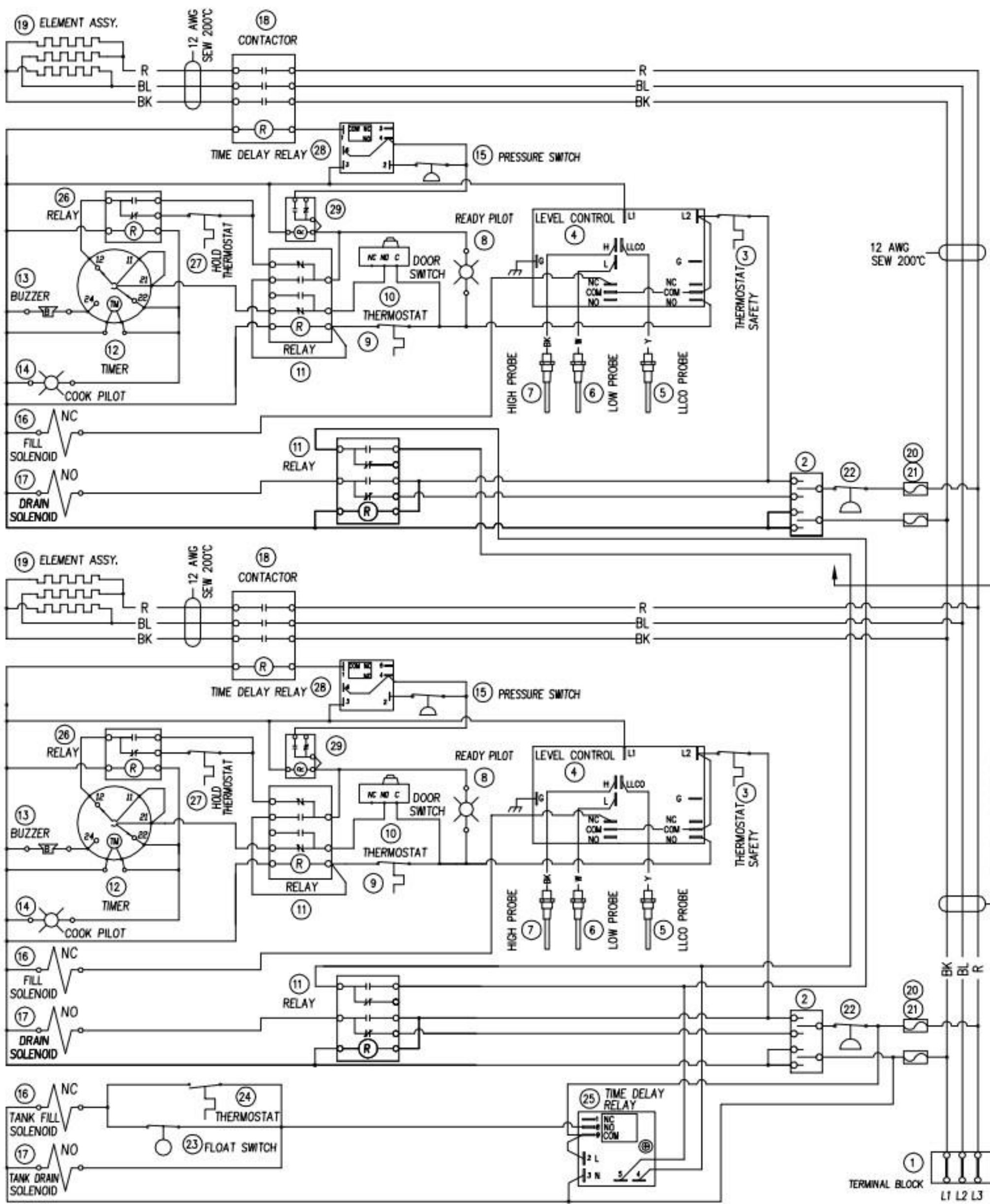


FOR TWO COMPARTMENTS

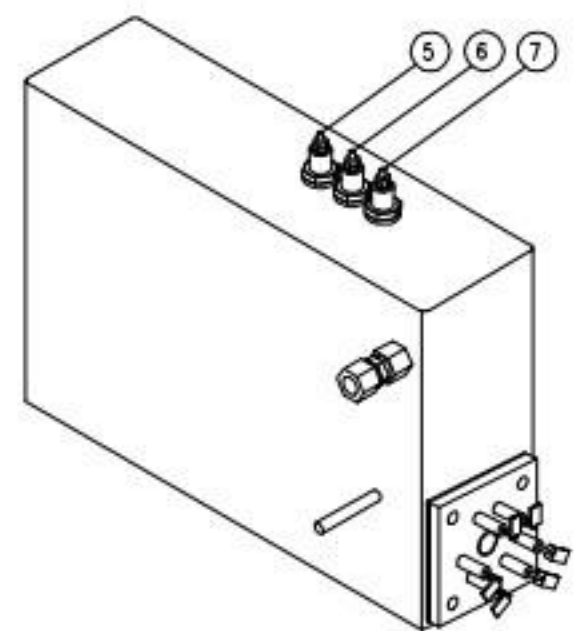


FOR TWO COMPARTMENTS



ITEM	DESCRIPTION	PART NO.	QUANTITY				
			2 COMP	1 COMP			
1A	TERMINAL BLOCK	4-33TB	3	3			
1B	TERMINAL BLOCK END	4-33ES	1	1			
2	SWITCH, ON/DELIME	9124-1	2	1			
3	THERMOSTAT, HIGH LIMIT SAFETY	9128-1	2	1			
4	LEVEL CONTROL, 10K OHM	4038-3	2	1			
5	PROBE, LOW LEVEL CUT-OFF	3738-3	2	1			
6	PROBE, LOW LEVEL	3738-2	2	1			
7	PROBE, HIGH LEVEL	4-LLP2	2	1			
8	READY PILOT, GREEN	4-PL04-1	2	1			
9	THERMOSTAT, OPERATING	9126-1	2	1			
10	DOOR SWITCH	9-3213	2	1			
11	RELAY, DPDT	9-3174	4	2			
12	TIMER	08-6621	2	1			
13	BUZZER	4742-1	2	1			
14	COOKING PILOT, RED	4-PL07-1	2	1			
15	PRESSURE SWITCH, UNIT RUN	08-6502	2	1			
16	FILL SOLENOID VALVE	5162-2	3	2			
17	BLOW-DOWN SOLENOID VALVE	3-S543-1	3	2			
18	CONTACTOR, 208V-240V	4-CG42	2	1			
*19	ELEMENT ASSEMBLY	SEE BELOW	2	1			
			Volts	kW	Amps/Phase	Part No.	
			208	10	27.8	8-5050	
			220	10	26.3	8-5056	
			240	10	24.1	8-5051	
20	FUSE, 2A, 250V	9092-2	4	2			
21	FUSE HOLDER	9068-1	4	2			
22	PRESSURE SWITCH, SAFETY	5445-1	2	1			
23	FLOAT SWITCH	08-5023	1	1			
24	THERMOSTAT	08-6514	1	1			
25	TIME DELAY RELAY, COOLING	9224-2	1	1			
26	RELAY, SPDT	9-3175	2	1			
27	HOLD THERMOSTAT	08-6588	2	1			
28	TIME DELAY RELAY, OPERATING	9242-2	2	1			
29	RELAY, DPDT, 220 VAC	9344-2	2	1			

* SELECT AS REQUIRED FOR VOLTAGE, KW OR MODEL.



CONTROL CIRCUIT WIRE: 16 AWG SEW 200°C
LOAD CIRCUIT WIRE: 12 AWG SEW 200°C

3E-10067R8
MARKET FORGE ETP-5E, ETP-10E (208-240V)