



MARKET FORGE

ETP-5G & ETP-10G ECO-TECH® PLUS GAS CONVECTION STEAMER PARTS AND SERVICE MANUAL

EFFECTIVE JANUARY 10, 2018

Superseding All Previous Parts Lists.

The Company reserves the right to make substitution in the event that items specified are not available.

ERRORS: Descriptive and/or typographic errors are subject to correction.

MARKET FORGE

Telephone: (802) 658-6600 Fax: (802) 860-3732

www.marketforge.com

P/N 14-0284 Rev G

TABLE OF CONTENTS

GENERAL TROUBLESHOOTING GUIDE	3
ELECTRICAL FAULT ISOLATION GUIDE	5
TROUBLESHOOTING.....	6
ADJUSTMENTS	7
WIRING DIAGRAMS	8
ILLUSTRATED PARTS LIST	
STEAMER EXPLODED VIEW.....	13
GAS COMPONENTS.....	17
CABINET ASSEMBLY	19
COMPONENT PANEL.....	22

GENERAL TROUBLESHOOTING GUIDE

PROBLEM	PROBABLE CAUSE	REMEDY
COOKING INDICATOR LIGHT FAILS TO LIGHT WITH TIMER SET	<ul style="list-style-type: none"> a. Main power circuit breaker tripped. b. Door interlock switch contacts not closed. c. Door interlock switch faulty. d. Indicator light burned out. e. Faulty timer contacts. f. Faulty wiring. 	<ul style="list-style-type: none"> a. Locate external circuit breaker for incoming power and place in ON position. b. Shut cooker door to close switch contacts. Check alignment of door with switch. c. Replace switch. d. Replace light. e. Replace timer. f. Inspect condition of wire and tightness of all connections. Correct as needed.
STEAM FAILS TO ENTER COOKING COMPARTMENT WITH COOKING INDICATOR LIGHT ON	<ul style="list-style-type: none"> a. Faulty wiring. 	<ul style="list-style-type: none"> a. Inspect condition of wire and tightness of all connections. Correct as needed.
STEAM ENTERS COMPARTMENT CONTINUOUSLY WITHOUT THE COOKING OR READY LIGHT ON	<ul style="list-style-type: none"> a. Standby thermostat not set correctly. b. Faulty thermostatic switch. c. HOLD set on timer. 	<ul style="list-style-type: none"> a. Adjust the thermostat lower. b. Replace thermostat. c. Rotate timer knob to 'OFF' position.
TIMER DIAL NOT TURNING	<ul style="list-style-type: none"> a. Faulty timer motor. b. Faulty wiring. 	<ul style="list-style-type: none"> a. Replace timer. b. Inspect condition of wire and tightness of all connections. Correct as needed.
BUZZER FAILS TO SOUND AT END OF TIMER SETTING	<ul style="list-style-type: none"> a. Timer contacts faulty. b. Buzzer faulty. c. Faulty wiring. 	<ul style="list-style-type: none"> a. Replace timer. b. Replace buzzer. c. Inspect condition of wire and tightness of all connections. Correct as needed.
STEAM FLOWS CONTINUOUSLY FROM DRAIN LINE WITH COOKER IN OPERATION	<ul style="list-style-type: none"> a. Cold water not connected. b. Faulty cooling valve. c. Faulty wiring. 	<ul style="list-style-type: none"> a. Turn on external shutoff valve. b. Replace cooling valve. c. Inspect condition of wire and tightness of all connections. Correct as needed.

GENERAL TROUBLESHOOTING GUIDE

PROBLEM	PROBABLE CAUSE	REMEDY
DOOR LEAKS.	<ul style="list-style-type: none"> a. Damaged door gasket. b. Clogged compartment drain. 	<ul style="list-style-type: none"> a. Check gasket for cuts and replace. b. Remove screen and clean drain line or plumbing.
WATER FLOWS INTO COOKING COMPARTMENT.	<ul style="list-style-type: none"> a. Level control has failed. b. Water has very high resistance c. Scale build-up on probe. d. Water fill solenoid valve. 	<ul style="list-style-type: none"> a. Replace. b. Replace level control with high sensitivity control. c. Clean all probes d. Plugged, defective, clean or replace.
<p><i>NOTE: THESE PROBLEMS ARE AN INDICATION OF SEVERE WATER CONDITIONS WHICH SHOULD BE CORRECTED IMMEDIATELY TO AVOID DAMAGE TO THE COMPONENTS AND PERFORMANCE OF THE STEAMER. CALL YOUR SERVICE AGENCY FOR ASSISTANCE.</i></p>		
WATER ACCUMULATES IN COMPARTMENT.	<ul style="list-style-type: none"> a. Plugged compartment drain 	<ul style="list-style-type: none"> a. Remove screen and clean drain line.
WATER FLOWS INTO DRAIN DURING SHUTDOWN.	<ul style="list-style-type: none"> a. Cooling valve does not close. 	<ul style="list-style-type: none"> a. Check valve for foreign material or damage.
WATER NOT BEING SUPPLIED TO GENERATOR.	<ul style="list-style-type: none"> a. Water supply off. b. Supply water pressure too low. c. Defective water solenoid valve. d. Level Probe shorted. e. Defective water level control. f. Drain valve is open. 	<ul style="list-style-type: none"> a. Check incoming water valve is on. b. Call supply agency. c. Replace or clean. d. Check and correct. e. Replace. f. Check valve, clean or replace.

ELECTRICAL FAULT ISOLATION GUIDE

FAILURE	FAULT LOCATION
1. WILL NOT OPERATE IN EITHER HOLD OR 60-MINUTE TIMER POSITIONS.	<ul style="list-style-type: none"> a. Incoming power b. Timer c. Door interlock switch d. Wiring
2. OPERATING IN HOLD POSITION BUT NOT IN 60-MINUTE TIMER POSITION.	<ul style="list-style-type: none"> a. 60-Minute timer b. Wiring
3. OPERATES IN 60-MINUTE TIMER POSITION BUT NOT IN HOLD POSITION.	<ul style="list-style-type: none"> a. Timer b. Wiring c. Hold thermostat
4. WITH COOK INDICATOR LIGHT ON AND STEAM ENTERING THE CAVITY, TIMER DIAL FAILS TO TURN.	<ul style="list-style-type: none"> a. Hold position set on timer. b. Timer motor c. Wiring
5. BUZZER FAILS TO SOUND AT END OF 60-MINUTE TIMER MODE.	<ul style="list-style-type: none"> a. 60-Minute timer contacts b. Buzzer c. Wiring
6. STEAM FLOWS CONTINUOUSLY FROM BOILER DRAIN LINE.	<ul style="list-style-type: none"> a. Cooling valve needs replacing b. Wiring

TROUBLESHOOTING

60 MINUTE TIMER

Timer Contacts

Defective timer contacts will result in failure of cooker compartment to operate.

When this occurs, remove the side panel and proceed as follows:

1. Turn off power to the cooker at external circuit breaker
2. Disconnect all five wires from timer terminals.
3. Connect an ohmmeter between terminals 1 and 3.
4. Rotate timer dial beyond the "0 - Minute" point (any setting) to obtain a reading of zero ohms on the ohmmeter. If zero ohm reading cannot be obtained, timer contacts are defective and the timer must be replaced.
5. Move ohmmeter leads to terminals 1 and 4.
6. Rotate timer dial to "0 - Minute" position (an audible click indicates correct position). If zero ohm reading cannot be obtained, the timer is defective and must be replaced.
7. Remove ohmmeter and replace all five leads on timer terminals.

Timer Motor

A defective timer motor will cause continuous operation in the TIME mode, with the timer dial failing to return to the "0 - Minute" position.

To confirm timer motor condition, proceed as follows:

1. Carefully check motor wire leads and tighten loose connections



WARNING

**Use care while working with control panel.
Terminals carry 120 Volts.**

2. Turn on power to the steamer.
3. Set timer dial (any setting beyond "0 - Minute"). If operation is correct, the motor will turn the dial toward "0 - Minute". If the motor fails to operate, it is defective and the entire timer must be replaced.
4. Shut off power to the cooker.

DOOR INTERLOCK SWITCH

Malfunction of the cooker door interlock switch prevents indicator lights from turning on and steam generator from operating when the timer dial is set. If steam does not enter the compartment and the cooking indicator light fails to turn on with the door latch securely engaged, the fault may be in the door interlock switch. Proceed as follows:

1. Turn off power to the cooker.
2. Disconnect wires to the door switch terminals.
3. Connect an ohmmeter between the Common & N.O. (Normally Open) terminals of the switch.
4. Actuate the switch by closing the cooking compartment door. If a zero reading cannot be obtained, the switch is defective and must be replaced.
5. Remove the ohmmeter and replace the leads on switch terminals.

INDICATOR LIGHTS

If the cooker compartment functions correctly, with the single exception that the indicator light fails to light during operation, the fault is a defective indicator light. A "burned out" or defective light is verified by using an AC volt-meter at the leads, with input power on the selector switch in the correct position for that timer, the timer set, and the door latches closed. If 120 volts is present, the fault is in the indicator light and requires replacement. If 120 volts is not present, the fault is in the wiring or control components (selector switch, timer or door switch).

BUZZER

If the buzzer does not sound at the termination of the operator-selected timer setting (timer dial returned to "0 - Minute" position), the fault may be a defective buzzer. Buzzer operation is verified using an AC volt-meter at buzzer coil connections with input power on and selector switch and coinciding timer dial set at the "0 - Minute" position. If voltage is 120 volts, the fault is in the buzzer, which must be replaced. If 120 volts is not present, the fault is in the wiring or control components (timer or selector switch).

WIRING

Using an ohmmeter, wiring continuity between the connections shown on the wiring diagram is readily verified. This is best done in stages, removing only those wires required for each continuity check. As each lead is replaced, it should be checked for evidence of corrosion, and cleaned if necessary. All leads must be tightly attached so as to provide a good electrical connection.

ADJUSTMENTS

All units are adjusted at the factory. In case of operation problems at initial installation, check type of gas supply and manifold pressure and compare it with information on the rating plate.

PROBLEM	PROBABLE CAUSE	REMEDY
BURNERS DO NOT COME ON	<ul style="list-style-type: none"> a. Gas supply is off. b. Power switch is off. c. Probe not sensing water level. d. Ignitor not functioning. e. Combination gas valve not opening. 	<ul style="list-style-type: none"> a. Locate supply line and turn on. b. Locate switch on control panel and turn on. c. Clean probes, check wiring. d. Check ignition module, relay. e. Check that control knob is in the ON position, check that 24 volts is at the gas valve.
BURNERS PRODUCE CARBON DEPOSITS	<ul style="list-style-type: none"> a. Incorrect orifice size. b. Incorrect gas supply. c. Incorrect gas pressure. 	<ul style="list-style-type: none"> a. Check size and correct. b. Check size and correct. c. Check gas pressure at manifold. Correct if necessary.
FLASH BACK	<ul style="list-style-type: none"> a. Burning inside mixer tube. b. Incomplete combustion. c. Sooting of burner. d. Mislocated ignitor. 	<ul style="list-style-type: none"> a. Reduce primary air. b. Increase burner input. c. Increase primary air. d. Adjust ignitor.

 **WARNING**

At least twice a year, have an authorized service person clean and adjust the unit for maximum performance.

 **WARNING**

Adjustments and service work may be performed only by a qualified technician who is experienced in, and knowledgeable with the operation of Commercial Gas Cooking Equipment. However, to assure your confidence, contact your authorized service agency for reliable service, dependable advice or other assistance and for genuine factory parts.

 **CAUTION**

Shut off main electrical power to unit.

DOOR GASKET REPLACEMENT

The cooking compartment door gaskets are made of a silicone-type rubber material that is very durable but subject to wear during normal operation. Should the gasket leak replace it.

1. Open the cooking compartment door.
2. Remove the four screws on the outside of the door frame, and remove the door panel assembly.
3. Remove the six screws from the gasket plate in the

door panel assembly.

4. Remove the gasket plate and the door gasket from door panel.
5. Install the new door gasket to the door panel. Replace the gasket plate and six screws.
6. Reassemble the door panel assembly in the door frame using the four screws.
7. Gasket replacement is now complete.

Door may be difficult to close until gasket has compressed to conform to opening. Leaving door closed overnight will compress gasket.

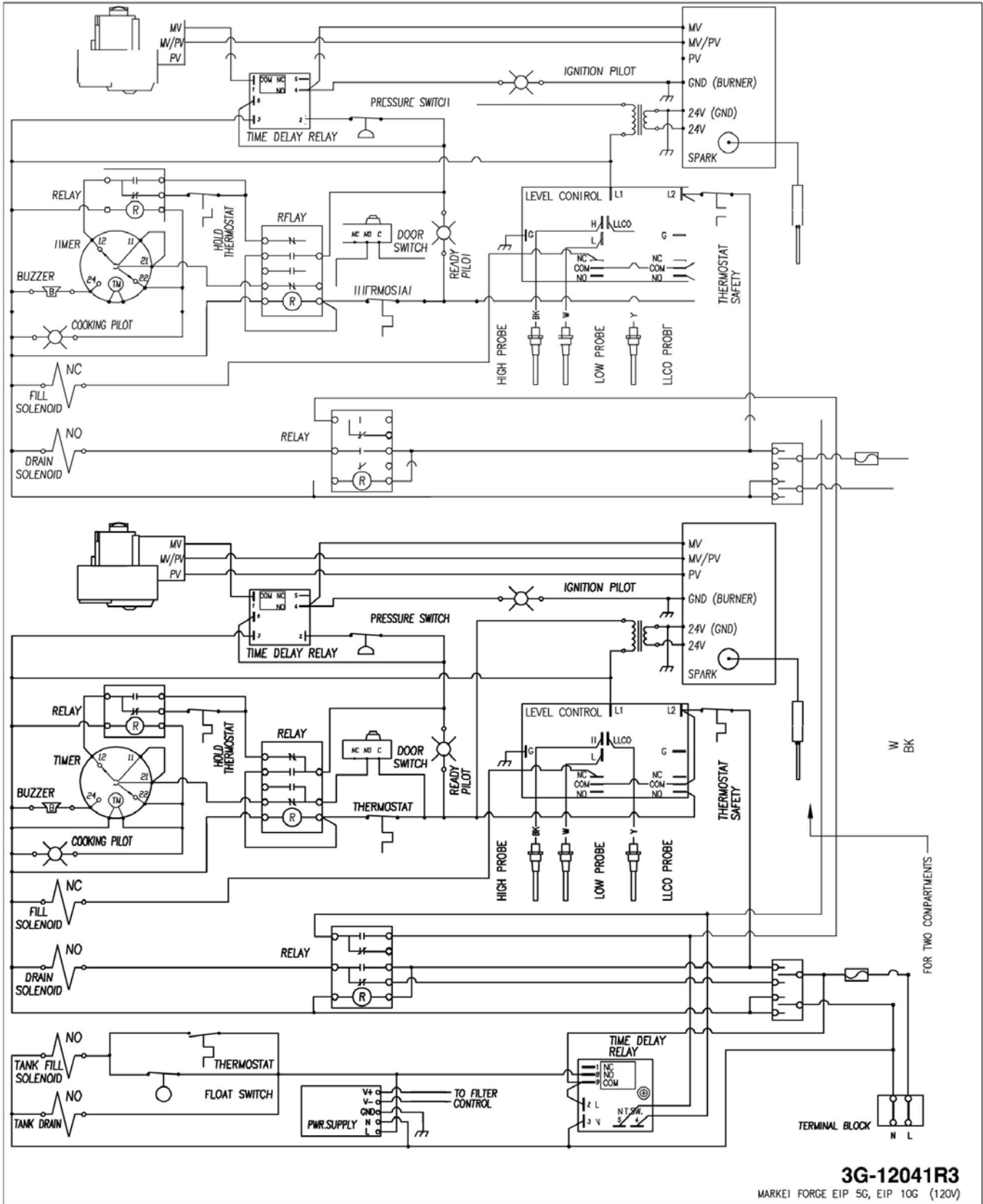
EXTERIOR PANEL REMOVAL

 **WARNING**

To prevent hazard in servicing the cooker, be certain that the steam supply boiler is shut down, the cold water shut-off valve is closed, and the electrical disconnect circuit breaker for the Cooker/Boiler unit is OFF before removing side panels.

Access to all internal plumbing and electrical assemblies is from the right side. The right-side panel is removed by removing the bottom screws from panel. Gas controls are located in the lower cabinet and are accessible from the front of the unit.

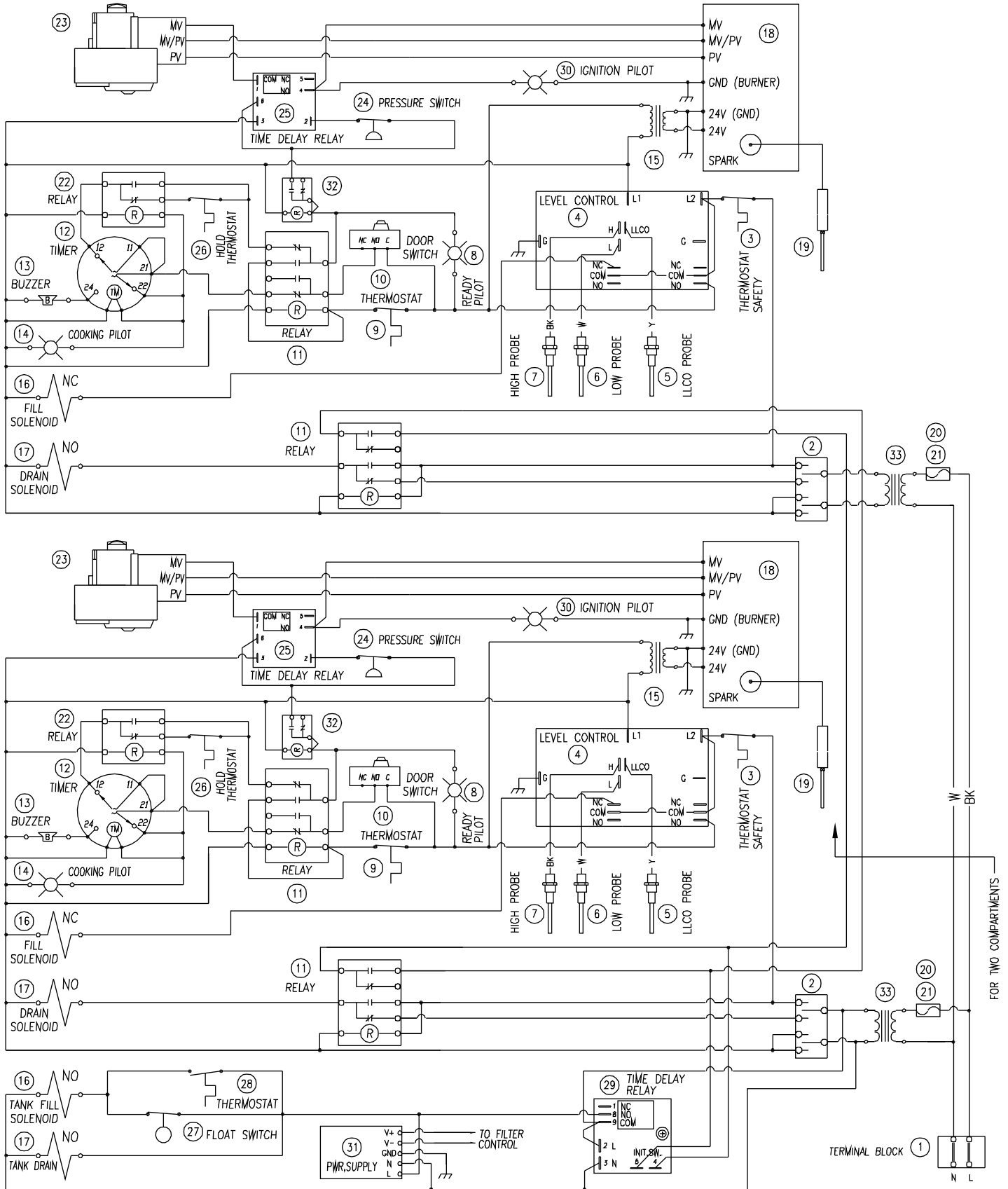
WIRING DIAGRAMS



3G-12041R3

MARKET FORGE EIP 5G, EIP 10G (120V)

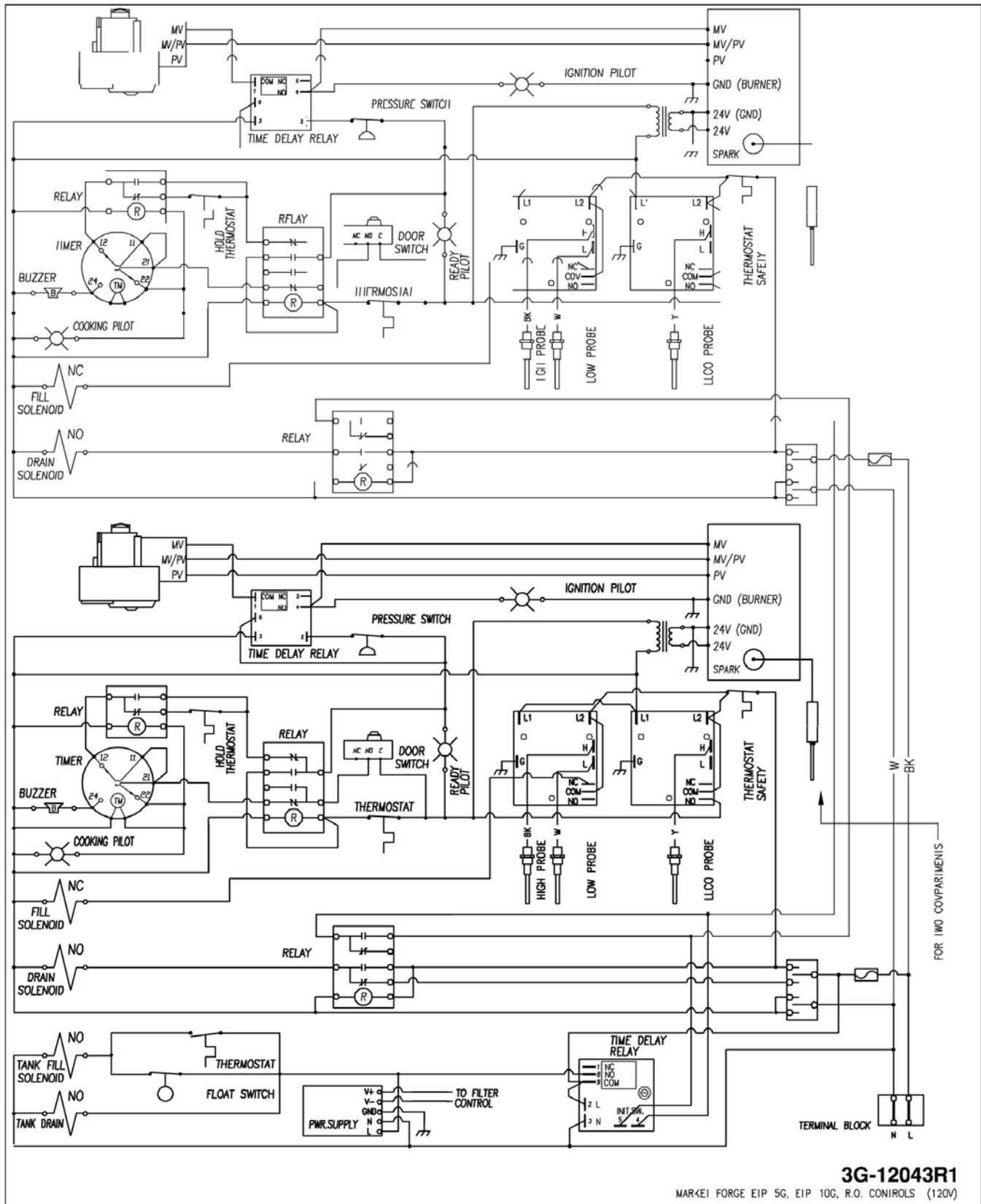
WIRING DIAGRAMS



3G-12042R3

MARKET FORGE ETP-5G, ETP-10G (220V)

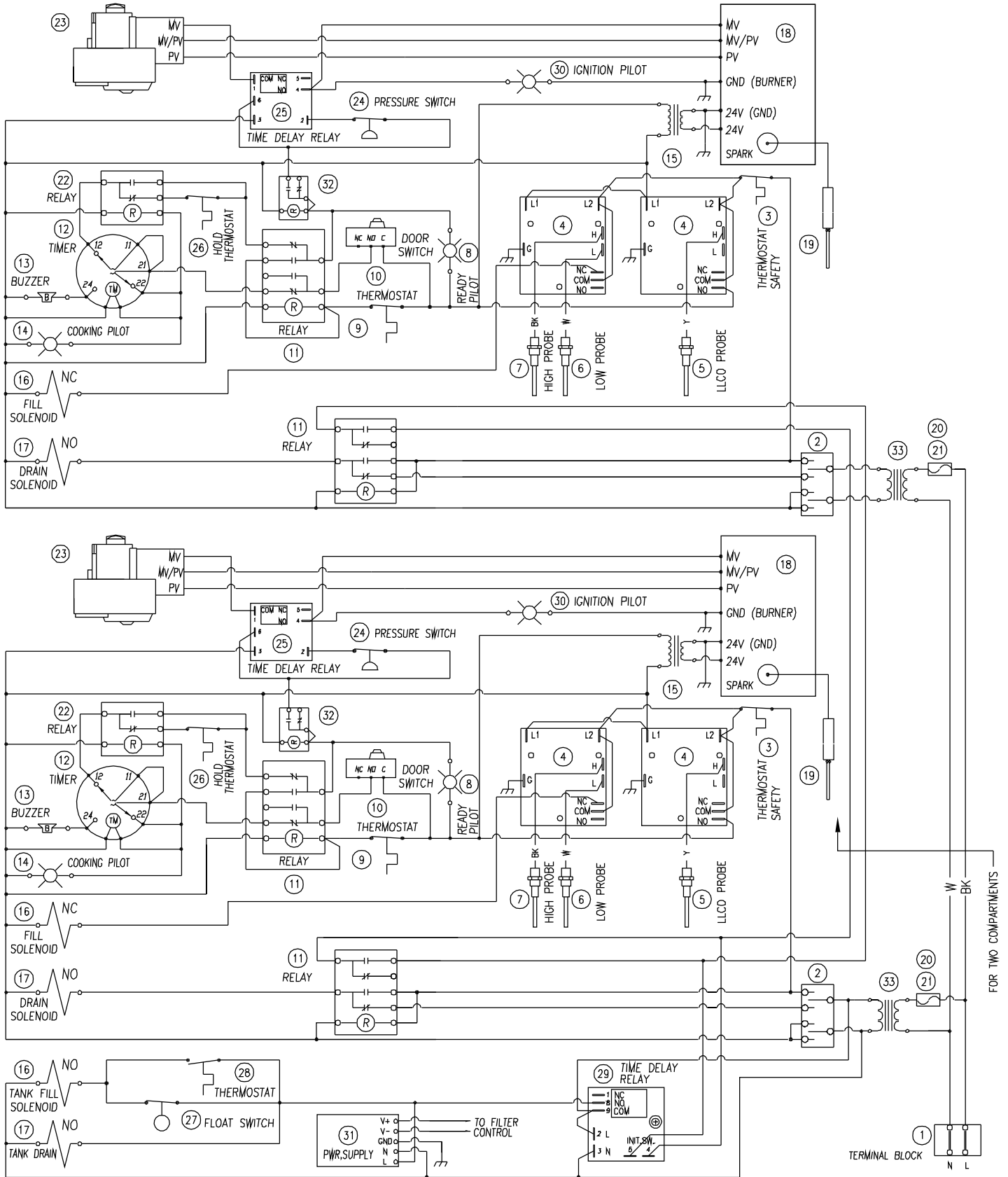
WIRING DIAGRAMS



3G-12043R1

MARKEI FORGE EIP 5G, EIP 10G, R.O. CONTROLS (120V)

WIRING DIAGRAMS



3G-12044R

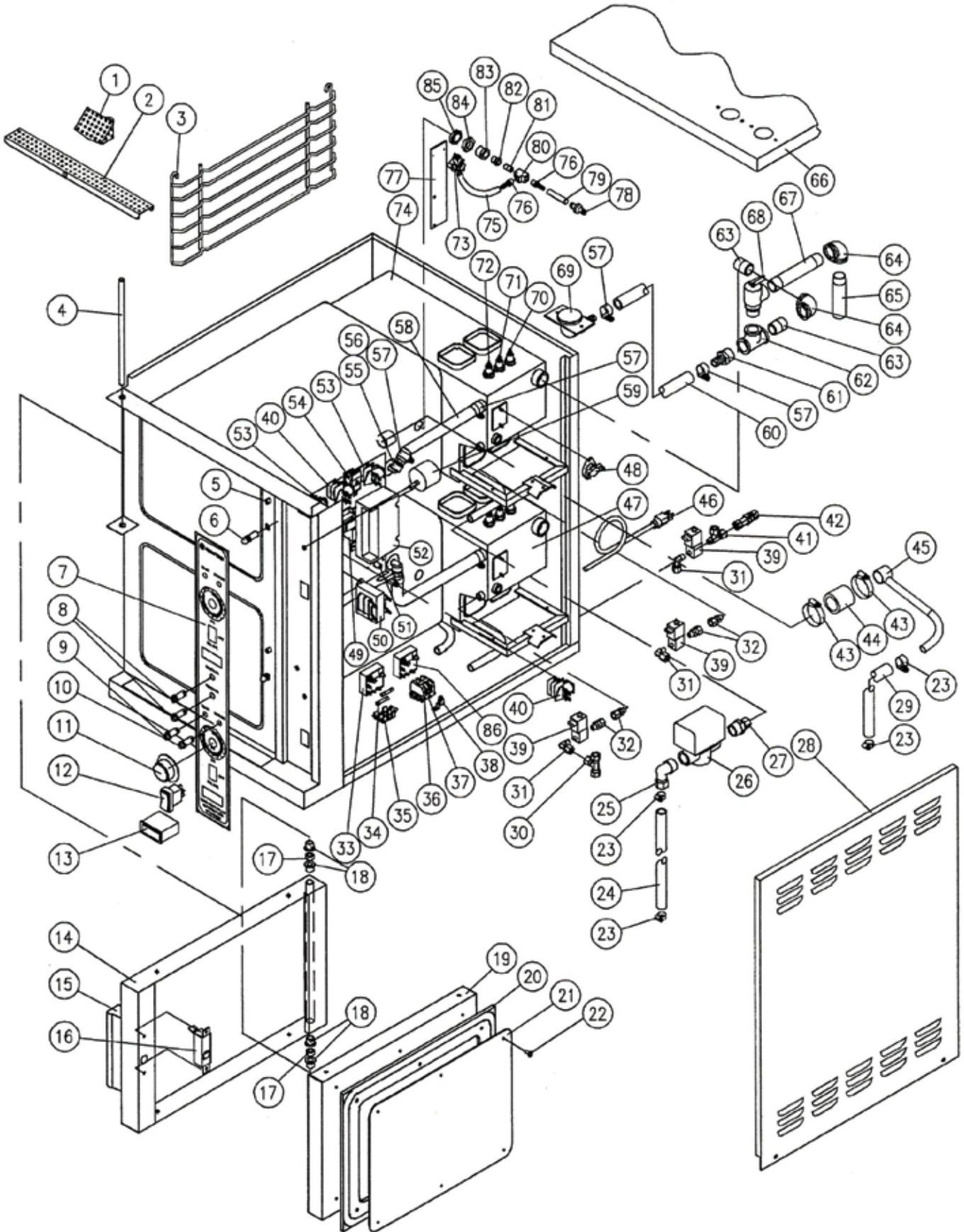
MARKET FORGE ETP-5G, ETP-10G, R.O. CONTROLS (220V)

WIRING DIAGRAMS

ITEM	PART NO.	DESCRIPTION	QUANTITY	
			1 COMP	2 COMP
1	A 4-22TB	Terminal Block	2	2
1	B 4-22ES	Terminal Block End	1	1
2	97-6367	Switch, On/Off/Delime	2	1
3	97-7382	Thermostat, High Limit Safety	2	1
** 4	97-5948	Level Control, 10K OHM	2	1
	97-6200	Level Control, 1M OHM	4	2
5	97-6212	Probe, Low Level Cut-Off	2	1
6	97-6213	Probe, Low Level	2	1
7	97-6372	Probe, High Level	2	1
8	97-6170	Ready Pilot, Green, 125V	2	1
9	97-5048	Thermostat, Preheat	2	1
10	97-6191	Door Switch	2	1
11	9-3174-1	Relay, DPDT	4	2
12	08-6464	Timer, 60 Min.	2	1
13	97-5945	Buzzer	2	1
14	97-6171	Cooking Pilot, Red, 125V	2	1
15	97-5701	Transformer, 120-24V	2	1
16	97-5952	Fill Solenoid Valve	3	2
17	97-5946	Drain Valve	3	2
18	97-5572	Ignition Module	2	1
19	97-6242	Spark/Sensor Probe	2	1
**	97-6134	Fuse, 1A, 250V, (220V)	2	1
	97-6186	Fuse, 2A, 250V, (120V)	2	1
21	97-5864	Fuse Holder	2	1
22	9-3175-1	Relay, SPDT	2	1
** 23	97-6461	Gas Valve, Natural	2	1
** 23	97-6462	Gas Valve, Liquid Propane	2	1
24	08-6502	Pressure Switch, Operating	2	1
25	97-6455	Time Delay Relay, Operating	2	1
26	08-6588	Hold Thermostat	2	1
27	08-5023	Float Switch	1	1
28	08-6514	Tank Thermostat, C130EF	1	1
29	97-6441	Time Delay Relay, Cooling	1	1
30	97-5472	Ignition Pilot, Green, 24V	2	1
31	98-4206	Power Supply, 120V - 5VDC	1	1
32	08-6915	Relay, DPDT, 120 VAC	2	1
33	4-T265	Transformer, 208-240/120V	2	1

** SELECT AS REQUIRED.

STEAMER EXPLODED VIEW



STEAMER EXPLODED VIEW

	ITEM	PART NO.	DESCRIPTION	EPT-5G	EPT-10G
	1	97-6334	Compartment Strainer	1	2
	2	97-6177	Perforated Trough	1	1
	3	97-6175	Pan Rack	2	4
	4	97-6174	Hinge Rod	1	
	4	97-6269	Hinge Rod		1
	5	97-6191	Door Switch	1	2
		97-6429	Switch Actuator	1	2
	6	97-6178	Striker	1	2
	7	97-6554	Control Panel Decal	1	
	7	97-6430	Control Panel Decal		1
	8	97-6170	Ready Pilot Light, Green, 125V	1	2
	9	97-5472	Ignition Pilot Light, Green, 28V	1	2
	10	97-6171	Pilot Light, Red, 125V	1	2
	11	08-3826	Knob	1	2
	12	97-6367	Switch, On/Off/Delime	1	2
	13	08-7521	Temperature Indicator	1	2
		91-6491	Grommet	1	2
	14	97-6227	Outer Door Shell	1	2
	15	97-6432	Door Handle Assembly	1	2
	16	97-6232	Latch Assembly	1	2
	17	97-6236	Spacer	2	3
	18	97-6261	Bushing	4	8
	19	97-6230	Door Panel	1	2
	20	97-6228	Door Gasket	1	2
	21	97-6229	Gasket Retaining Plate	1	2
	22	97-6233	Gasket Panel Screws	8	16
	23	97-6481	Hose Clamp, 5/8"	10	20
**	24	97-6434	Hose, 5/8 I.D. x 30" Long, Upper Generator Drain		1
		97-6435	Hose, 5/8 I.D. x 12" Long, Lower Generator Drain		1
			Hose, 5/8 I.D. x 14" Long, Lower Generator Drain	1	
	25	97-6436	Brass Elbow, 5/8"C x 3/4" MPT	1	2
	26	97-5946	Blowdown Solenoid Valve	1	2
	27	97-6209	Connector, 5/8" C x 3/4" MPT	1	2
	28	97-6555	Right Side Panel	1	
	28	97-6437	Right Side Panel		1

* NOT SHOWN ** SELECT AS REQUIRED *** CONTACT FACTORY

STEAMER EXPLODED VIEW

	ITEM	PART NO.	DESCRIPTION	EPT-5G	EPT-10G
**	29	97-6438	Hose, 5/8" I.D. x 34" Long, Upper Cavity Drain		1
		97-6439	Hose, 5/8" I.D. x 16" Long, Lower Cavity Drain		1
	30	97-6440	Brass Tee, 3/8"C		1
	31	97-6188	Brass Elbow, 3/8"C x 1/8" MPT	2	3
	32	98-6123	Brass Connector, 1/4 C x 1/8" MPT	2	4
	33		See Component Panel page		
			See Component Panel page		
	34	97-6186	Fuse, 2A, 250V	1	2
	35	97-5864	Fuse Holder	1	2
	36	10-6962	End Section, Terminal Block	1	1
	37	10-6963	Terminal Block	2	2
	38	97-5441	Ground Lug	1	1
	39	97-6282	Solenoid Valve	2	3
	40		See Component Panel page		
	41	97-6344	Connector, 3/8 C x 1/8" MPT	1	1
	42	97-6442	Bulkhead Union, 3/8"C	2	2
	43	97-6443	Hose Clamp, 1-1/16 - 2"	2	4
	44	97-6444	Drain Hose, 1-1/4" x 1-3/4" Long	2	2
	45	97-6445	Drain Tube Assembly	1	2
	46	97-5702	Cord Set, 120V	1	1
	47	97-6418	Generator Tank, Lower		1
	48	97-6419	High Limit Thermostat	1	2
**	49		See Component Panel page		
			See Component Panel page		
	50		See Component Panel page		
	51		See Component Panel page		
	52		See Component Panel page		
	53		See Component Panel page		
	54		See Component Panel page		
	55	97-6420	Brass Street Elbow, 3/8" FPT x 1/4" MPT	2	4
	56	97-6421	Brass Hose Barb, 5/8" x 3/8" MPT	2	4
	57	97-6422	Brass Hose Barb, 5/8" x 1/2" MPT	1	2
	58	97-6423	Steam Diverter Hose, 5/8 I.D. x O.D. x 11-1/4" LG.	2	4
	59	08-6464	Timer, 60 Minutes, 120V	1	2
**	60	97-6424	Upper Delime Hose, 5/8" I.D. x 22" Long	1	1

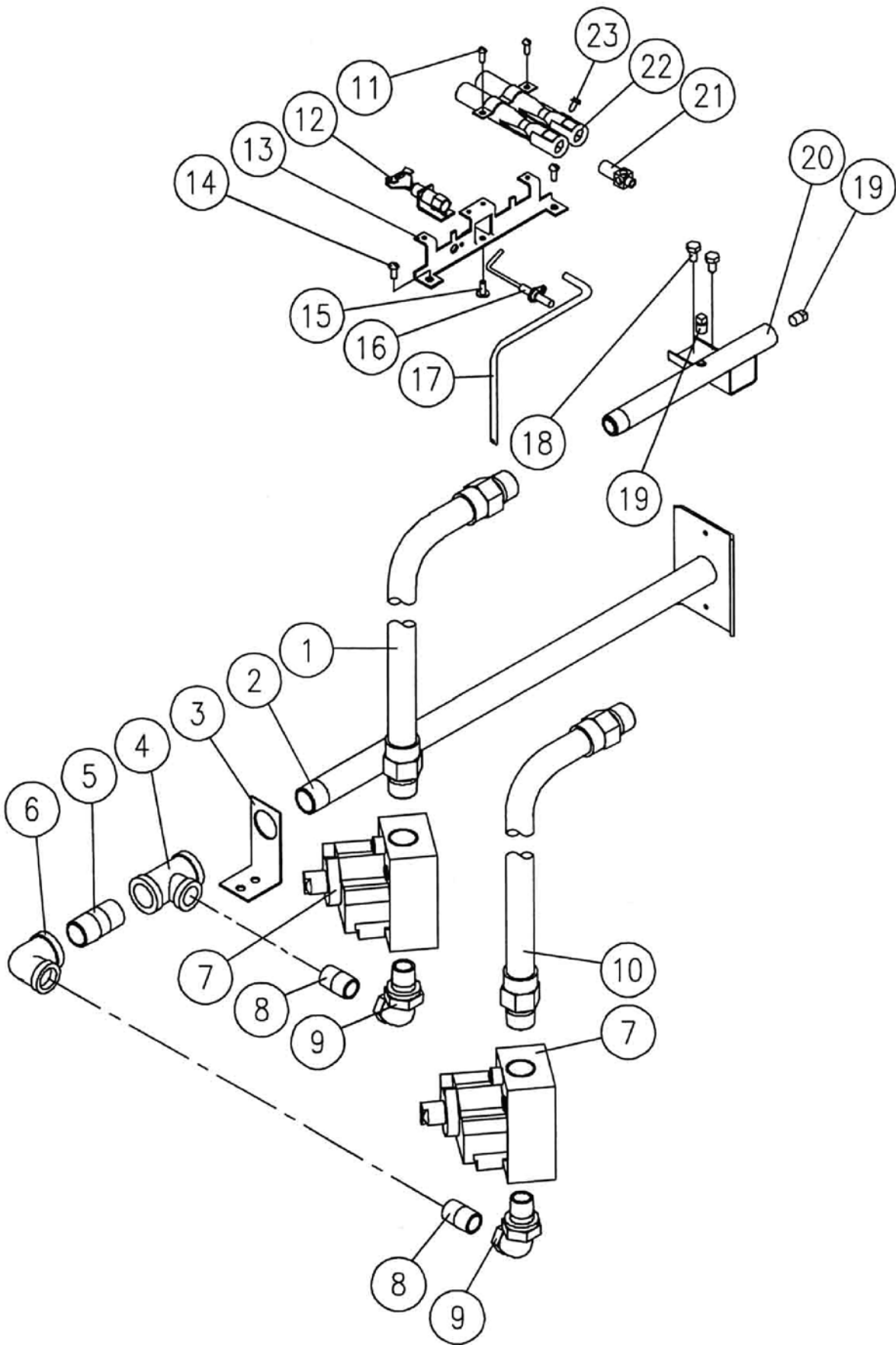
* NOT SHOWN ** SELECT AS REQUIRED *** CONTACT FACTORY

STEAMER EXPLODED VIEW

ITEM	PART NO.	DESCRIPTION	EPT-5G	EPT-10G
	97-6425	Lower Delime Hose, 5/8" I.D. x 37" Long		1
61	97-6426	Brass Hose Barb, 5/8" x 3/4" MPT	1	2
62	97-6203	Brass Tee, 3/4"	1	2
63	97-6204	Brass Close Nipple, 3/4"	1	2
64	97-6202	Brass Elbow, 3/4"	1	2
65	97-6368	Relief Valve Extension	1	2
66	97-6427	Top Panel	1	
66	97-6427	Top Panel		1
67	97-6428	Brass Nipple, 3/4" x 5-1/2"	1	2
68	97-6219	Relief Valve, 5 PSI	1	2
69	91-7594	Delime Elbow Assembly	1	2
	91-7765	Clean Port Plug	1	2
69	08-7511	"O" Ring, with "O" Ring	1	2
70	97-6372	Probe - High Level	1	2
71	97-6213	Probe - Low Level	1	2
72	97-6212	Probe - Low Level Cut Off	1	2
73		See Component Panel page		
74	97-6559	Generator Tank, Top	1	1
75	97-6446	Tubing, Pressure Switch, 1/4" I.D. x 8" Long	1	2
76	97-6447	Brass Hose Barb, 1/4" x 1/8 MPT	2	4
77	97-6448	Pressure Switch Bracket	1	2
78	08-5015	Vacuum Breaker	1	2
79	97-6449	Tubing, Vacuum Break, 1/4" I.D. x 2" Long	1	2
80	97-6450	Brass Extruded Street Tee, 1/8" FPT	1	2
82	97-6452	Brass Bushing, NPT, 1/4" to 1/8"	1	2
83	97-6453	Brass Bushing, NPT, 1/2" to 1/4"	1	2
84	97-6454	Brass Locknut, 1/2" NPT	1	2
85	10-4586	Sealing Nut, 1/2" NPT	1	2
86		See Component Panel page		
		See Component Panel page		

* NOT SHOWN ** SELECT AS REQUIRED *** CONTACT FACTORY

GAS COMPONENTS

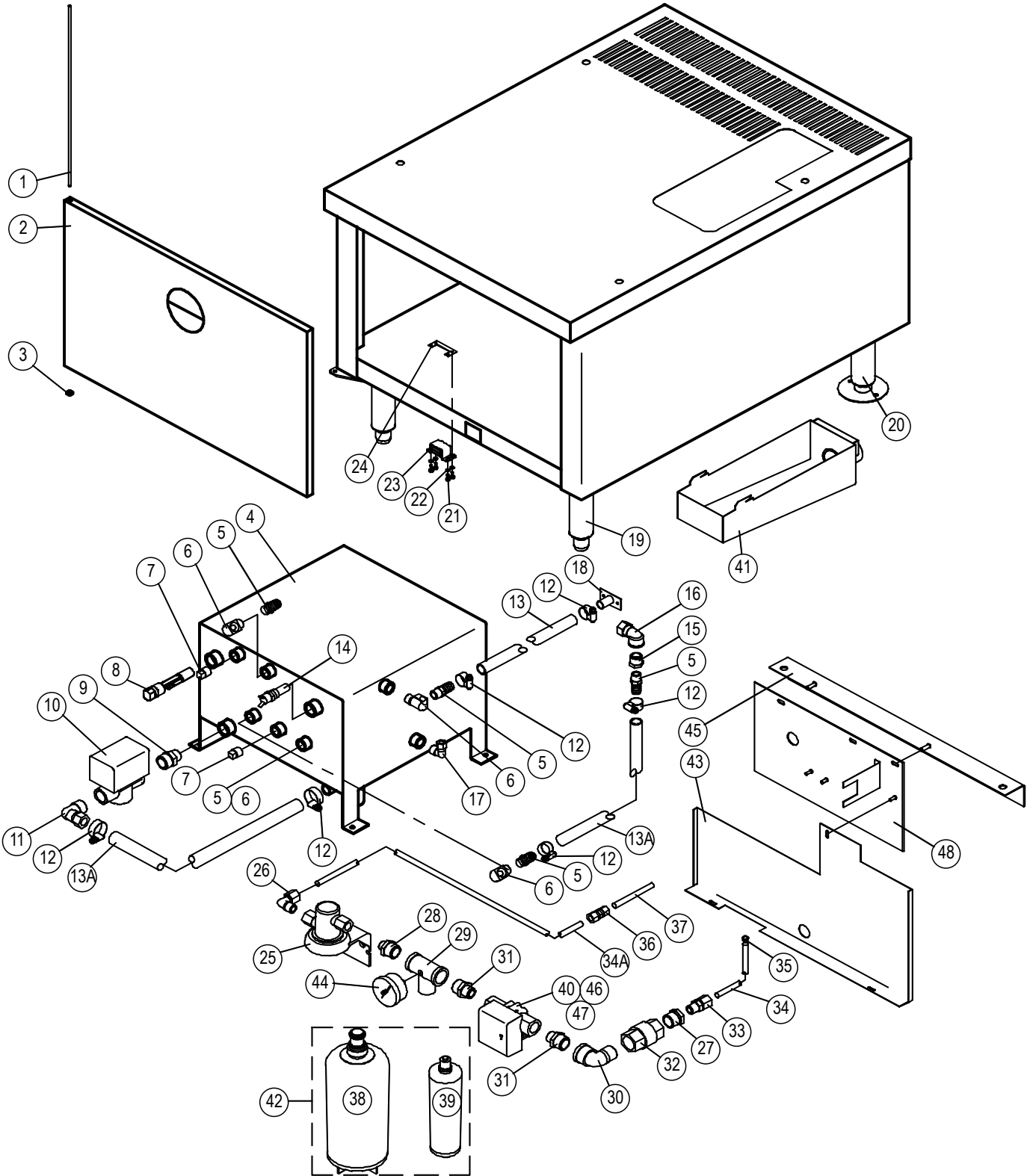


GAS COMPONENTS

	ITEM	PART NO.	DESCRIPTION	EPT-5G	EPT-10G
	1.	97-6463	Upper Gas Flex Tube, 5/8", O.D. x 42" Long.		1
	2.	97-6457	Gas Supply Pipe Assembly	1	1
	3.	97-6458	Bracket	1	1
	4.	97-6459	Malleable Iron Tee, 3/4" x 3/4" x 1/2"		1
	5.	97-6460	Nipple, 3/4" x 2" Long		1
	6.	97-5555	90° Reducing Elbow, 3/4" NPT x 1/2" NPT	1	1
**	7.	97-6461	Gas Valve, Natural Gas	1	2
		94-5128	Gas VALVE (only) Conversion Kit, Natural to LP	1	2
		97-6462	Gas Valve, LP Gas	1	2
		94-5131	Gas VALVE (only) Conversion Kit, LP to Natural	1	2
	8.	98-6109	Close Nipple, 1/2"	1	2
	9.	98-6122	Union Elbow, 1/2"	1	2
	10	97-6532	Lower Gas Flex Tube, 5/8" O.D. x 24" Long	1	1
	11	97-6464	Hex Screw, 8 - 32 x 1/4"	4	8
**	12	97-6244	Pilot Burner, LP Gas	1	2
		97-6465	Pilot Burner, Natural Gas	1	2
	13	97-6245	Burner Mounting Bracket	1	2
	14	97-6466	Machine Screw, 10 - 32 x 3/8"	2	4
	15	97-6467	Machine Screw, 10 - 32 x 1/4"	2	4
	16	97-6242	Spark Electrode	2	
**	17	97-6468	Pilot Tube - Top		1
		97-6469	Pilot Tube - Bottom		1
		97-6533	Pilot Tube	1	
	18	97-6470	Machine Bolt, 1/4 - 20 x 1/2"	2	4
	19	98-6124	Plug, 1/8" NPT	1	2
**	20	97-6247	Manifold, Natural Gas	1	2
**	20	97-6534	Manifold, LP Gas	1	2
*	21	97-6498	Orifice, #53, Natural Gas	4	8
		97-6535	Orifice, #64, LP Gas	4	8
**	22	97-6246	Twin Burners, Natural Gas	2	4
		97-6536	Twin Burners, LP Gas	2	4
**	23	97-6472	Screw, #6 x 3/8", (Natural Gas Only)	4	8

* NOT SHOWN ** SELECT AS REQUIRED

CABINET ASSEMBLY



CABINET ASSEMBLY

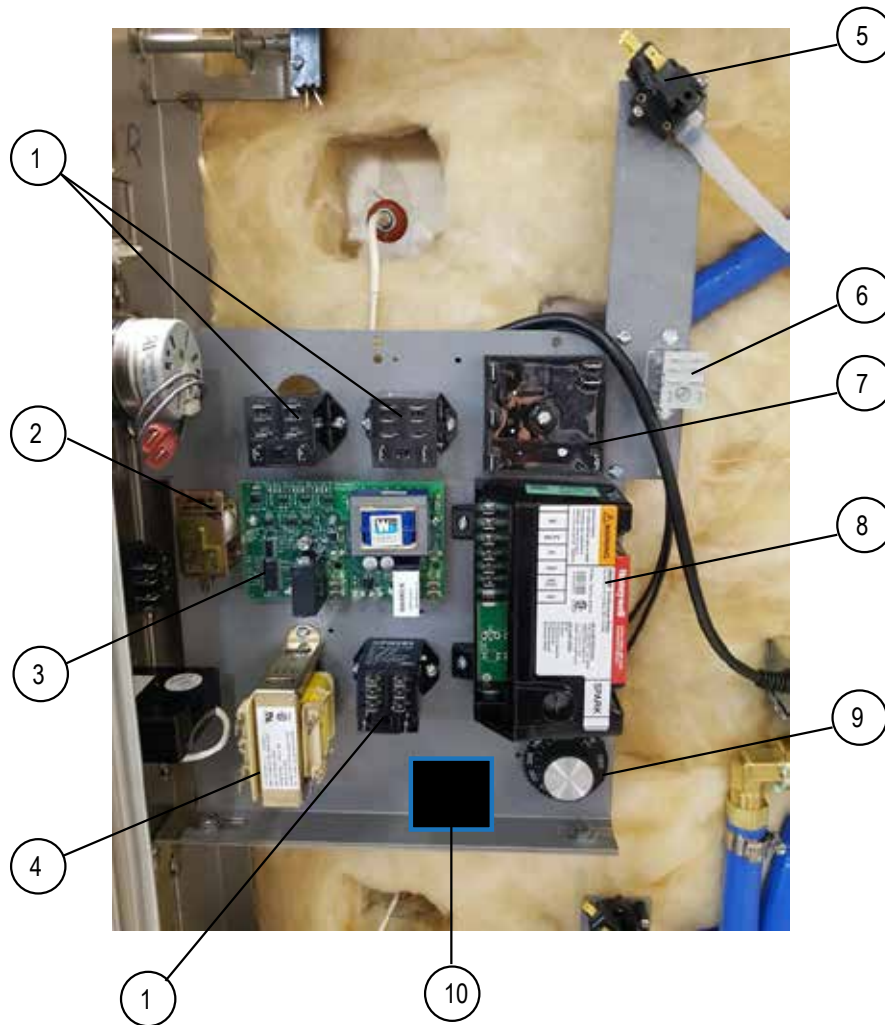
ITEM	PART NO.	DESCRIPTION	EPT-5G	EPT-10G
**	1	97-6537 Hinge Rod	1	
		97-6473 Hinge Rod		1
**	2	97-6538 Cabinet Door Assembly	1	
		97-6539 Cabinet Door Assembly		1
	3	~NPN~ Flat Washer	1	1
	4	98-3784 Tempering Tank	1	1
	5	97-6421 Brass Hose Barb, 5/8" x 3/8" MPT	5	7
	6	97-6476 Brass Extruded, 90° Street Elbow, 3/8"	4	6
	7	~NPN~ Brass Square Head Plug, 3/8"	2	
	8	08-5023 Float Switch	1	1
	9	97-6477 Hex Nipple, 3/4" MPT x 1/2" MPT	1	1
	10	97-6210 Drain Valve, Tank	1	1
	11	97-6436 Brass Elbow, 90°, 5/8" C x 3/4 MPT	1	1
	12	97-6422 Hose Clamp, 5/8 - 1-1/4"	1	
**	13	97-6439 Hose, 5/8" I.D. x 16" Long	1	
		97-6480 Hose, 5/8" I.D. x 14" Long		1
	13A	97-6480 Hose, 5/8" I.D. x 14" Long	1	1
	14	08-6514 Tank Thermostat, 130°F	1	1
	15	97-6482 Brass Bushing, 1/2" MPT to 3/8" FPT	1	1
	16	97-6483 Brass Elbow, 90°, 5/8" C x 1/2" FPT	1	1
	17	97-6346 Brass Elbow, 90°, 3/8" C x 3/8" MPT	1	1
	18	97-6484 Vent	1	1
**	19	97-6486 Flanged Foot	2	2
*		97-6406 Swivel Caster, 5", c/w Brake, Optional	2	2
**	20	97-6486 Adjustable Flanged Foot	2	2
		97-6561 Swivel Caster, 5", Optional	2	2
	21	97-6487 Pan Slot Head Screws, #6-32 UNC x 3/8" Long	4	4
	22	97-6488 Spring Lock Washer, #6	4	4
	23	97-6489 Magnetic Catch	1	1
	24	97-6490 Magnetic Catch Plate	1	1
	25	08-8055 Filter Head	1	1
	26	97-6541 Elbow, 3/8" C to 3/8" MPT, Nylon	1	1
	27	97-6542 Bushing, 3/4" to 3/8", Nylon	1	1
	28	08-8061 Bushing, 3/4" to 1/2", Nylon	1	1
	29	08-8057 Tee	1	1

CABINET ASSEMBLY

ITEM	PART NO.	DESCRIPTION	EPT-5G	EPT-10G	
	30	08-8064	Elbow, 3/4" Nylon	1	1
	31	08-8062	Nipple, Reducing, 3/4" x 1/2 NPT, Nylon	2	2
	32	08-8053	Check Valve, Nylon	1	1
	33	97-6547	Connector, 3/8" C to 3/8" MPT, Nylon	1	1
	34	97-6548	Tubing, 3/8" O.D., x 18" Long, Nylon		1
		~NPN~	Tubing, 3/8" O.D. x 19" Long, Nylon	1	
	34A	~NPN~	Tubing, 3/8" O.D. x 30" Long, Nylon	1	1
	35	97-6549	Sleeve, 3/8", Brass	2	2
	36	97-6550	Connector, 3/8" C to 3/8" Nylon	1	1
	37	~NPN~	Tubing, 3/8" O.D. x 8" Long, Copper	1	1
	38	08-8020	Filter, Large (See Item 42).	1	1
	39	08-8008	Filter, Small, Scale Inhibitor (See Item 42)	1	1
	40	08-8007	Meter 2%6		
	41	97-6411	Drain Collector	1	1
*	42	08-8052	* Kit, Filter Replacement Cartridges	1	1
**	43	7844-1	Lower Cabinet Shield	1	
		7844-2	Lower Cabinet Shield		1
	44	08-8059	Pressure Gauge	1	1
	45	7845-1	Mounting Bracket	1	1
*	46		Adapter Cord		
*	47	98-4206	Power Supply, 120/240 VAC - 5 VDC	1	1
	48	~NPN~	Mounting Plate (Cuno Filter Head VH3)	1	1

* NOT SHOWN ** SELECT AS REQUIRED

COMPONENT PANEL



ITEM	PART NO.	DESCRIPTION	QTY
1	97-9079	RELAY - DPDT 120V	3
2	97-5945	BUZZER - 120V	1
3	97-5948	WATER LEVEL BOARD - 120V - 10K Ohm	1
	97-6200	WATER LEVEL BOARD - 120V - 1M Ohm	1
4	97-5701	TRANSFORMER - 120V-24V	1
5	08-6502	WC PRESSURE SWITCH	1
6	08-6915	RELAY - SPDT 120V	1
7	97-6455	TIME DELAY RELAY - 120V - OPERATING	1
8	97-5572	IGNITION MODULE	1
9	97-5048	THERMOSTAT, PREHEAT	1
10	97-6441	TIME DELAY RELAY - 120V - COOLING	1