



DD/DD-L/DD-LCG Series

Ice Cream Dipping-Display Cabinets

Installation & Operations Manual

Master-Bilt Products
908 Highway 15 North
New Albany, MS 38652
Phone: (800) 684-8988

CONTENTS

INTRODUCTION.....	3
STORE CONDITIONS.....	3
WARNING LABELS & SAFETY INSTRUCTIONS.....	4
INSPECTION FOR SHIPPING DAMAGE	5
INSTALLATION INSTRUCTIONS.....	6
REFRIGERANT EVACUATION & CHARGING	8
TEMPERATURE CONTROL.....	9
CLEANING INSTRUCTIONS	9
OPERATING CONDITIONS & PRESSURES	12
TECHNICIAN’S CONSIDERATIONS.....	12
SERVICE INSTRUCTIONS.....	14
TROUBLESHOOTING GUIDE.....	15
CONTROLLER SENSOR PROBE LOCATION.....	16
AIR FILTER CLEANING INSTRUCITONS.....	17
DRAINING SYSTEM.....	17
DIPPING-DISPLAY CABINET PART NUMBERS.....	18
OPTIONS.....	19
DECOMMISSIONING, SALE AND DISPOSAL.....	19
WIRING DIAGRAMS.....	21

INTRODUCTION

Thank you for purchasing a Master-Bilt dipping-display cabinet. This manual contains important instructions for installing, using and servicing your cabinet. A parts list is also included in with this manual. Read all these documents carefully before installing or servicing your equipment.

CAUTION

This unit uses a flammable refrigerant. Use care when handling and operating to avoid damaging the refrigerant tubing or increasing the risk of a leak.

All service should be performed by factory authorized personnel. All component parts shall be replaced with like components to minimize the risk of possible ignition due to incorrect parts or improper service.

This appliance is not intended for use by persons (including children) with reduced physical, sensory or mental capabilities, or lack of experience and knowledge, unless they have been given supervision or instruction concerning use of the appliance by a person responsible for their safety.

Children should be supervised to ensure that they do not play with the appliance.

STORE CONDITIONS

Dipping-display cabinets are climate class 8 and are designed to operate in the controlled environment of an air-conditioned store. An appliance's climate class designates the ideal temperature range within which it performs best. This classification makes sure that your appliance keeps food fresh whether you live in a hot or cold climate by assisting you in selecting one that fits your needs. The store temperature should be at or below 75°F and a relative humidity of 55% or less. At higher temperature or humidity conditions, the performance of these cases may be affected and the capacity diminished. It is not uncommon in a newly constructed store for the temperature and humidity to be above design conditions. These excessive conditions may produce sweating in the case until the store is operational and the ambient environment is more desirable.

The cabinet should not be positioned where it is directly exposed to rays of sun or near a direct source of radiant heat or airflow. This will adversely affect the case and will result in poor performance.

If this case is to be located against a wall there should be at least 4" space between the wall and the back of the case. This space allows for air circulation behind the case, which prevents condensation on the exterior surfaces.

NOTICE

Read this manual before installing your cabinet. Keep the manual and refer to it before doing any service on the equipment. Failure to do so could result in personal injury or damage to the cabinet.

DANGER

Improper or faulty hook-up of electrical components of the refrigeration units can result in severe injury or death. NEVER use an extension cord to power this unit. All electrical wiring hook-ups must be done in accordance with all applicable local, regional or national standards.

NOTICE

Installation and service of the refrigeration and electrical components of the cabinet must be performed by a refrigeration mechanic and/or a licensed electrician. If the SUPPLY CORD is damaged, it must be replaced by the manufacturer, its service agent or similarly qualified persons to avoid a hazard.

The portions of this manual covering refrigeration and electrical components contain technical instructions intended only for persons qualified to perform refrigeration and electrical work.

This manual cannot cover every installation, use or service situation. If you need additional information, call or write the customer service department.

Refrigerated Solutions Group
891 County Road U Hudson, WI
54016
800-388-5253

WARNING LABELS AND SAFETY INSTRUCTIONS



This symbol is used to alert user that there is risk of fire or explosion since flammable refrigerant is used. This symbol can be observed on back or sides of cabinet.



This symbol is the safety-alert symbol. When you see this symbol on your cabinet or in this manual, be alert to the potential for personal injury or damage to your equipment.

Be sure you understand all safety messages and always follow recommended precautions and safe operating practices.



NOTICE TO EMPLOYERS

You must make sure that everyone who installs, uses or services your cabinet is thoroughly familiar with all safety information and procedures.

Important safety information is presented in this section and throughout this section and throughout the manual. The following signal words are used in the warnings and safety messages:

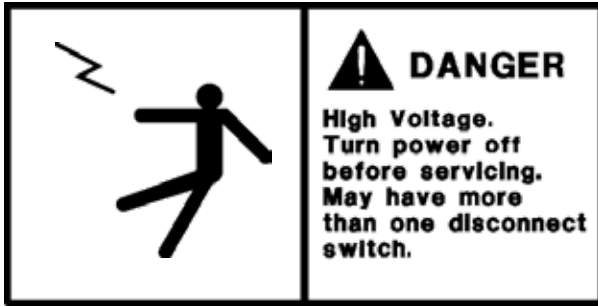
DANGER: Severe injury or death will occur if you ignore the message.

WARNING: Severe injury or death can occur if you ignore the message.

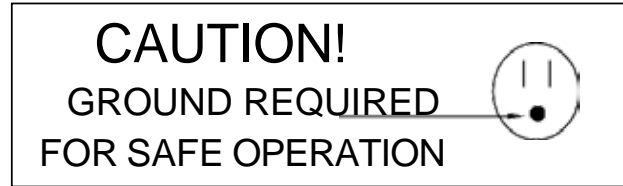
CAUTION: Minor injury or damage to your cabinet can occur if you ignore the message.

NOTICE: This is important installation, operation or service information. If you ignore the message, you may damage your cabinet.

The warning and safety labels shown throughout this manual are placed on your cabinet at the factory. Follow all warning label instructions. If any warning or safety labels become lost or damaged, call your customer service department at 800-388-5253 for replacements.



This label is located on top of the electrical control label and on the wiring channel.



This label is attached to the cabinet power cord on models with a power cord.

NOTICE

- Do not store explosive substances such as aerosol cans with a flammable propellant in this appliance.
- **WARNING:** Keep clear of obstruction all ventilation openings in the appliance enclosure or in the structure for building-in.
- **WARNING:** Do not use mechanical devices or other means to accelerate the defrosting process, other than those recommended by the manufacturer.
- **WARNING:** Do not use electrical appliances inside the food/ice storage compartments unless they are of the type recommended by the manufacturer.
- **WARNING:** Do not damage the refrigerating circuit.

INSPECTION FOR SHIPPING DAMAGE

You are responsible for filing all freight claims with the delivering truck line. Inspect all cartons and crates for damage as soon as they arrive. If damage is noted to shipping crates or cartons or if a shortage is found, note this on the bill of lading (all copies) prior to signing.

If damage is discovered when the cabinet is uncrated, immediately call the delivering truck line and follow up the call with a written report indicating concealed damage to your shipment. Ask for an immediate inspection of your concealed damage item. Crating material must be retained to show the inspector from the truck line.

INSTALLATION INSTRUCTIONS

GENERAL INSTRUCTIONS

1. Be sure the equipment is properly installed by competent service people.
2. Keep the equipment clean and sanitary so it will meet your local sanitation codes.
3. Rotate your stock so that older stock does not accumulate. This is especially important for ice cream. A "First-In, First-Out" rotation practice will keep the products in good salable condition.
4. Do not place product in the case when it is soft or partially thawed. Also, product should not be put in the case for at least 6 hours after it is started.
5. Stock cases as quickly as possible, exposing only small quantities to store temperatures for short periods of time.
6. When replacing burned out LED, be sure that the electrical power to the lighting circuit is turned off.



NOTICE TO STORE OWNERS / MANAGERS

Moisture or liquid around or under the cabinet is a potential slip/fall hazard for persons walking by or working in the general area of the cabinet. Any cabinet malfunction or housekeeping problem that creates a slip/fall hazard around or under the cabinet should be corrected immediately.

If moisture or liquid is observed around or under a cabinet, an immediate investigation should be made by qualified personnel to determine the source of the moisture or liquid. The investigation should determine if the cabinet is malfunctioning or if there is a drainpipe leaking.

ELECTRICAL



WARNING

Before servicing electrical components in the case, make sure all power to case is off. Always use a qualified technician.



NOTICE

For replacement ballast, use only ballast that complies with UL and recommended in part list.

MECHANICAL

Remove grille and check refrigeration lines to see that they are free (not touching each other or compressor). Spin condenser fan blade to see that it is free.

Check that all service valves are open. The picture below is standard DD series condensing unit. The compressor is hermetic, it is internally spring mounted and ready to run.



Hermetic Compressors, jelly roll & fin and tube condenser

Remove cabinet from crate base and slide into location. The cabinet must be level from side to side and front to back.

To comply with Sanitation requirements the cabinet must be mounted on legs (6" high min.) or casters or the base must be sealed to the floor with an N.S.F. listed silicone sealant.

STARTUP

Uncoil the lead cord and pass it through the hole in the grille.

While the cabinet is in operation, check the voltage draw and the amperage draw versus the rating on the nameplate. Check the voltage at the compressor terminals while the compressor is starting. The unit is designed to operate at +/- 10% of 115 volts, 60 cycle, single phase. Therefore, the voltage should be between 103 and 126.5 volts.

After the cabinet temperature has pulled down to approximately 0°F at the load line, check the thermostatic control by turning it to its warmest position. This should shut the compressor off.

A separate 20 amp. fuse circuit for each cabinet is recommended to avoid the possibility of other appliances on a circuit from overloading and causing a malfunction. Make sure that the electrical service is grounded upon installation.

REFRIGERANT EVACUATION AND CHARGING

When breaking into the refrigerant circuit to make repairs or any other purpose, use conventional procedures. However, for flammable refrigerants it is important that best practice be followed, since flammability is a consideration.

Follow this procedure:

- Safely remove refrigerant following local and national regulations
- Purge the circuit with inert gas
- Evacuate (optional for A2L)
- Purge with inert gas (optional for A2L)
- Open the circuit by cutting or brazing

The refrigerant charge shall be recovered into the correct recovery cylinders if venting is not allowed by local and national codes. For appliances containing flammable refrigerants, the system shall be purged with oxygen-free nitrogen to render the appliance safe for flammable refrigerants. This process might need to be repeated several times. Compressed air or oxygen shall not be used for purging refrigerant systems.

For appliances containing flammable refrigerants, refrigerants purging shall be achieved by breaking the vacuum in the system with oxygen-free nitrogen and continuing to fill until the working pressure is achieved, then venting to atmosphere, and finally pulling down to a vacuum (optional for A2L). This process shall be repeated until no refrigerant is within the system (optional for A2L). When the final oxygen-free nitrogen charge is used, the system shall be vented down to atmospheric pressure to enable work to take place.

Ensure that the outlet for the vacuum pump is not close to any potential ignition sources and that ventilation is available.

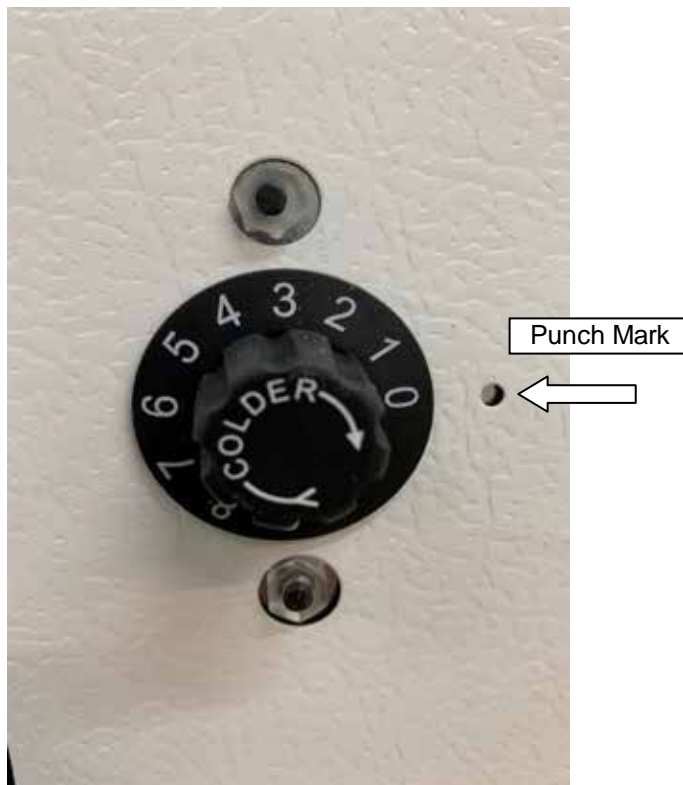
In addition to conventional charging procedures, follow these requirements:

- Ensure that contamination of different refrigerants does not occur when using charging equipment. Hoses or lines shall be as short as possible to minimize the amount of refrigerant contained in them.
- Cylinders shall be kept in an appropriate position according to the instructions.
- Ensure that the REFRIGERATING SYSTEM is earthed prior to charging the system with refrigerant.
- Label the system when charging is complete (if not already).
- Extreme care shall be taken not to overfill the REFRIGERATING SYSTEM.

Prior to recharging the system, pressure test it with the appropriate purging gas. The system shall be leak-tested on completion of charging but prior to commissioning. A follow up leak test shall be carried out prior to leaving the site.

TEMPERATURE CONTROL

The dipping-display cabinet has an adjustable temperature control from #1 (warmest setting) to # 9 (coldest setting). Turn the control knob in line with the punch mark to the desired setting. The temperature control is located near the condensing unit at the front of the cabinet.



WARMEST SETTING



COLDEST SETTING

CLEANING INSTRUCTIONS

WARNING: DO NOT REMOVE FROST WITH A KNIFE, PICK, OR SHARP OBJECTS. DO NOT USE ABRASIVE CLEANERS OR CAUSTIC CLEANERS OR SCOURING PADS

Every 30 to 60 days (depending on frost accumulation), the cabinet should be emptied, warmed up, and wiped down using a solution of 1 teaspoon of baking soda with 1 quart of water. This solution will help eliminate odors.

Do not use strong soaps or detergents as they leave odors that can contaminate your product.

Cabinets are equipped with a floor drain that exits out the lower rear. The exit has a convenient garden hose fitting.

If it is not convenient to turn the cabinet power off, lay a piece of plastic sheeting on the floor of the cabinet and scrape the frost off walls using a plastic scraper. Do not use metal scrapers. This will damage the interior paint of the cabinet.

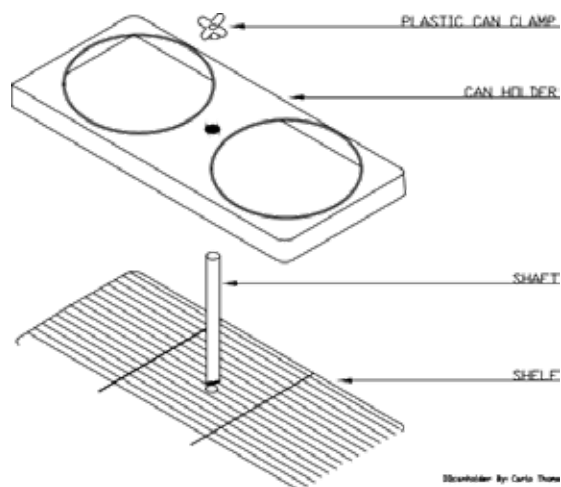
LID REMOVAL AND CLEANING

The lid can be removed by lifting up and out (see below). The lid is a high-impact plastic. Wash with warm soapy water or non-abrasive detergent to avoid scratching.



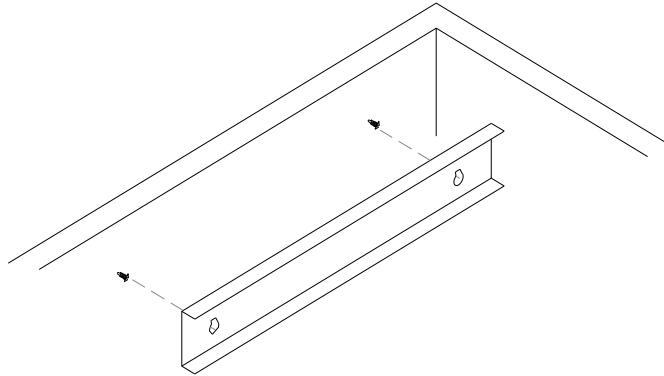
CAN HOLDER ASSEMBLY REMOVAL AND CLEANING (OPTIONAL)

Remove plastic can clamp by screwing knob off the threaded shaft. Wash the can holder and can clamp with a non-abrasive detergent to maintain sanitary gloss. Remove the shaft by loosening the wing nut and unscrewing the shaft from the shelf. Wash the shaft and shelf using a non-metallic brush.



FROST SHIELD REMOVAL AND CLEANING (OPTIONAL)

When the frost-shields accumulate approximately ½ to 1 inch of frost (about two to three days), remove it by lifting up to disengage from the keyhole slot. Remove the frost by holding under running water until clean. Dry and replace the frost-shield by engaging screws at the big end of the keyhole and push down.



DDFrostShield By Carlo Thomas

LID LOCKING KIT INSTALLATION (OPTIONAL)

The optional lid locking kit secures ice cream stored inside the cabinet. One kit is required for each lid.



Lid Locking Kit
1 - Bottom Hinge
2 - Top Hinge
3 - Lid locking Bar



Top hinge part installation
Lift the Lid to open. It will create a gap at the top and bottom of the lid. Place the top hinge as shown in the picture



Bottom hinge part installation
Place the bottom hinge on the SS top as shown in the picture above.



Lid locking bar assembly
Use a lock at top hinge and bottom hinge to restrain any unwanted access.



Lid locking bar assembly
Place the Lid locking bar as shown above. Make sure the top hinge is aligned and inserted into the slot provide in lid locking bar



Lid locking bar assembly
Then slowly move the bar towards the lid's inclined surface having a center of rotation at bottom hinge and lid handle



Lid locking bar assembly
Close the Lid. Hold the Lid locking bar as shown above and insert the bottom flange into the slot of the Bottom hinge

Follow the process in reverse to disassemble.

OPERATION CONDITIONS AND PRESSURES

With room ambient temperature of +75 °F and cold cabinet (unit cycling on control):

DD-66/DD-66L/DD-66LCG & DD-88/DD-88L/DD-88LCG with R-290 refrigerant

- Suction pressure – 2 to 4 psig.
- Head pressure – 130 to 160 psig.

DD-26/DD-26L/DD-26LCG & DD-46/DD-46L/DD-46LCG with R-290 refrigerant

- Suctions pressure 1 to 5 psig
- Head pressure 130 to 160 psig

TECHNICIAN'S CONSIDERATIONS

Technicians should:

- Have an EPA 608 certification type 1 to work on this cabinet.
- Exercise caution when disconnecting quick-connects or opening refrigerant circuits.
- Use ventilation fans anytime a refrigeration circuit is opened.
- Survey the area for ignition sources before opening a refrigeration circuit.
- Correct all nearby electrical faults and discharge all capacitors before opening a refrigeration circuit.
- Avoid working in confined spaces with A3 refrigerants. Ventilation should be used if necessary.
- Check the area for flammable refrigerants with an approved leak detector to find present refrigerant before starting work. This leak detection equipment should not be arcing or sparking. It should be intrinsically safe.
- Have a fire extinguisher present during service and installation. A dry chemical or CO₂ fire extinguisher should be adjacent to the charging area.

No person carrying out work in relation to a REFRIGERATING SYSTEM which involves exposing any pipe work shall use any sources of ignition in such a manner that it may lead to the risk of fire or explosion.

All possible ignition sources, including cigarettes, should be kept sufficiently far away from the site of installation, repairing, removing and disposal, during which refrigerant can possibly be released to the surrounding space.

Prior to work taking place, the area around the equipment shall be surveyed to make sure that there are no flammable hazards or ignition risks. "No Smoking" signs shall be displayed.

Technicians should ensure that the area is in the open or that it is adequately ventilated before breaking into the system or conducting any hot work. A degree of ventilation shall continue during the period that the work is carried out. The ventilation should safely disperse any released refrigerant and preferably expel it externally.

Where electrical components are being charged, they shall be fit for the purpose and to the correct specification. At all times, the manufacturer's maintenance and service guidelines shall be followed. If in doubt, consult the manufacturer's technical department for assistance.

FLAMMABLE REFRIGERANT CONSIDERATIONS

The following checks shall be applied to installations using FLAMMABLE REFRIGERANTS:

- The actual REFRIGERANT CHARGE is in accordance with the room size within which the refrigerant-containing parts are installed.
- The ventilation machinery and outlets are operating adequately and are not obstructed.
- If an indirect refrigerating circuit is being used, the secondary circuit shall be checked for the presence of refrigerant.
- Marking to the equipment continues to be visible and legible. Markings and signs that are illegible shall be corrected.
- Refrigerating pipes or components are installed in a position where they are unlikely to be exposed to any substance which may corrode refrigerant containing purpose and to the correct specification. At all times, the manufacturer's maintenance and service guidelines shall be followed. If in doubt, consult the manufacturer's technical department for assistance.

CHECKING ELECTRICAL DEVICES

- Repair and maintenance to electrical components shall include initial safety checks and component inspection procedures.
- If a fault exists that could compromise safety, then no electrical supply shall be connected to the circuit until it is satisfactorily dealt with.
- If the fault cannot be corrected immediately but it is necessary to continue operation, an adequate temporary solution shall be used. This shall be reported to the owner of the equipment, so all parties are advised.

INITIAL SAFETY CHECKS

- Ensure the capacitors are discharged. This shall be done in a safe manner to avoid possibility of sparking.
- Ensure no live electrical components and wiring are exposed while charging, recovering or purging the system.
- Ensure there is continuity of earth bonding.

During repairs, technicians should ensure all electrical supplies shall be disconnected from the equipment being worked upon prior to any removal of sealed covers, etc.

LEAK DETECTION

If it is necessary to have an electrical supply to equipment during service, then a permanently operating form of leak detection shall be located at the most critical point.

Technicians should ensure cabling will not be subject to wear, corrosion, excessive pressure, vibration, sharp edges, or any other adverse environmental effects. The effects of aging or continual vibration from sources such as compressors or fans should also be considered.

Under no circumstances shall potential sources of ignition be used in the searching for or detection of refrigerant leaks. A halide torch (or any other detector using a naked flame) shall not be used.

The following leak detection methods are deemed acceptable for all refrigerant systems:

- Electronic leak detectors may be used to detect refrigerant leaks but, in the case of FLAMMABLE REFRIGERANTS, the sensitivity might not be adequate or might need recalibration.
- Detection equipment shall be calibrated in a refrigerant-free area.
- Ensure that the detector is not a potential source of ignition and is suitable for the refrigerant used.

- Leak detection equipment shall be set at a percentage of the LFL of the refrigerant and shall be calibrated to the refrigerant employed, and the appropriate percentage of gas (25 % maximum) is confirmed.
- Leak detection fluids are also suitable for use with most refrigerants but the use of detergents containing chlorine shall be avoided as the chlorine can react with the refrigerant and corrode the copper pipework.

Examples of leak detection fluids include bubble method and fluorescent method agents.

If a leak is suspected, all naked flames shall be extinguished. If a leakage of refrigerant is found which requires brazing, all the refrigerant shall be recovered from the system. Removal of refrigerant shall be according to Clause 101.DVS.9 in UL60335-2-89.

SERVICE INSTRUCTIONS

Prior to beginning work on systems containing FLAMMABLE REFRIGERANTS, safety checks are necessary to ensure that the risk of ignition is minimized. Work shall be undertaken under a controlled procedure to minimize the risk of a flammable gas or vapor being present while the work is being performed.

All maintenance staff and others working in the local area shall be instructed on the nature of work being carried out. Work in confined spaces shall be avoided. The area shall be checked with an appropriate refrigerant detector prior to and during work, to ensure the technician is aware of potentially toxic or flammable atmospheres.

Ensure that the leak detection equipment being used is suitable for use with all applicable refrigerants, i.e., non-sparking, adequately sealed, or intrinsically safe. Under no circumstances shall potential sources of ignition be used in the searching for or detection of refrigerant leaks. A halide torch (or any other detector using a naked flame) shall not be used.

If any hot work is to be conducted on the refrigerating equipment or any associated parts, appropriate fire extinguishing equipment shall be available on hand. A dry chemical or CO2 fire extinguisher should be adjacent to the charging area.

No person carrying out work in relation to a REFRIGERATING SYSTEM which involves exposing any pipe work shall use any sources of ignition in such a manner that it may lead to the risk of fire or explosion.

All possible ignition sources, including cigarette smoking, should be kept sufficiently far away from the site of installation, repairing, removing and disposal, during which refrigerant can possibly be released to the surrounding space.

Prior to work taking place, the area around the equipment shall be surveyed to make sure that there are no flammable hazards or ignition risks. "No Smoking" signs shall be displayed.

Ensure that the area is in the open or that it is adequately ventilated before breaking into the system or conducting any hot work. A degree of ventilation shall continue during the period that the work is carried out. The ventilation should safely disperse any released refrigerant and preferably expel it externally into the atmosphere.

Where electrical components are being changed, they shall be fit for the purpose and to the correct specification. At all times, the manufacturer's maintenance and service guidelines shall be followed. If in doubt, consult the manufacturer's technical department for assistance.

The following checks shall be applied to installations using FLAMMABLE REFRIGERANTS:

- The actual REFRIGERANT CHARGE is in accordance with the room size within which the refrigerant containing parts are installed

- The ventilation machinery and outlets are operating adequately and are not obstructed
- If an indirect refrigerating circuit is being used, the secondary circuit shall be checked for the presence of refrigerant
- Marking to the equipment continues to be visible and legible. Markings and signs that are illegible shall be corrected
- Refrigerating pipe or components are installed in a position where they are unlikely to be exposed to any substance which may corrode refrigerant containing parts

Repair and maintenance to electrical components shall include initial safety checks and component inspection procedures. If a fault exists that could compromise safety, then no electrical supply shall be connected to the circuit until it is satisfactorily dealt with.

If the fault cannot be corrected immediately but it is necessary to continue operation, an adequate temporary solution shall be used. This shall be reported to the owner of the equipment, so all parties are advised.

Initial safety checks shall include:

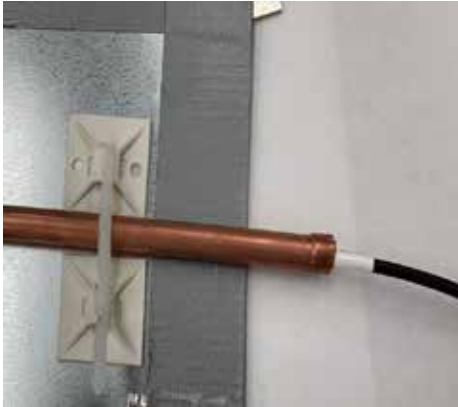
- That capacitors are discharged: this shall be done in a safe manner to avoid possibility of sparking
- That no live electrical components and wiring are exposed while charging, recovering or purging the system
- That there is continuity of earth bonding.

TROUBLESHOOTING GUIDE

1. High head pressure and high back pressure:
 - A. Condenser coil clogged or restricted.
 - B. Condenser fan motor defective.
 - C. Air in the system.
 - D. Refrigeration overcharge.
2. Low back pressure and low head pressure:
 - A. Capillary tube restriction.
 - B. Refrigerant undercharged.
 - C. Leak in system.
 - D. Moisture in system.
3. Pressures normal – cabinet warm:
 - A. Refrigerant undercharged.
 - B. Thermostat set too warm.
4. Compressor starts and runs – but cycles on overload:
 - A. Low voltage.
 - B. Overload protector defective.
 - C. High head pressure (see #1).
5. Compressor will not start – hums, but cycles on overload:
 - A. Low voltage.
 - B. Relay defective.
 - C. Overload defective.
 - D. High head pressure (see #1).
6. Cabinet sweating:
 - A. High ambient humidity.

CONTROLLER SENSOR PROBE LOCATION

In DD-46/DD-46L/DD-46LCG, DD-66/DD-66L/DD-66LCG and DD-88/DD-88L/DD-88LCG models, the bulb well is a straight 3/8" copper tube placed 3" below the condensing unit compartment as shown below. For the DD-26/DD-26L/DD-26LCG model, the bulb well is an inverted "L" shape as shown below. Make sure the bulb well opening is properly insulated with permagum. While replacing the sensor probe, make sure the probe is inserted to the end of the bulb well until it stops. Be careful when inserting the probe inside the bulb well to avoid damage. **The sensor probe is color coded as shown below. Make sure the probe is fully inserted into the bulb well to the mark up.**



Bulb well location with sensor probe (representation only)



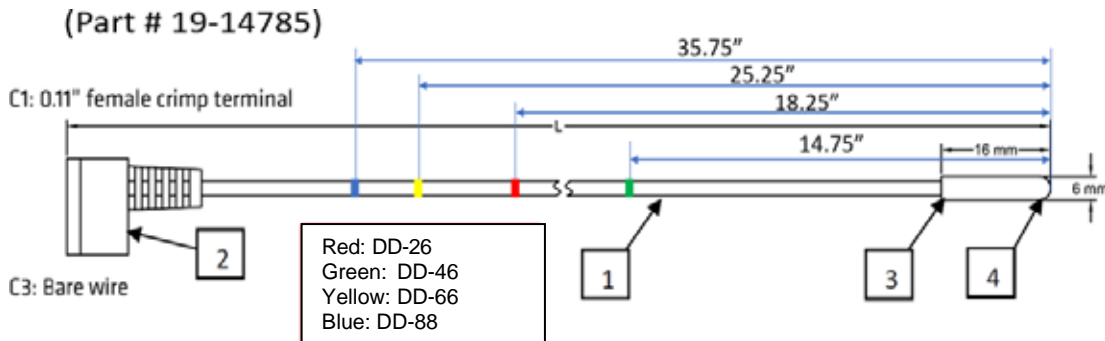
Sensor probe with bulb well foamed



Bulb well in DD-26



Bulb well location in DD-46, DD-66 & DD-88



AIR FILTER CLEANING INSTRUCTIONS

(Air Filter for DD-66/DD-66L/DD-66LCG & DD-88/DD-88L/DD-88LCG Fin & Tube Condenser)

DD-66 and DD-88 models are equipped with a 5mm fin and tube condenser. A removable and reusable air filter protects the condenser and prevents dust blockage. Remove and clean the filter periodically for optimum performance of the unit. See the removal and reinstallation instructions below.



DRAINING SYSTEM

See below for location of the drain outlet.



If moisture or liquid is observed around or under the cabinet, qualified personnel should investigate immediately to

determine its source. The investigation should determine if the cabinet is malfunctioning or if there is a simple housekeeping problem.

Moisture or liquid around or under a cabinet is a potential slip/fall hazard for people walking by or working in the general area of the cabinet.

Any cabinet malfunction or housekeeping problem that creates a slip/fall hazard around or under a cabinet should be corrected immediately.

DIPPING-DISPLAY CABINET PART NUMBERS

Please use the part numbers below when ordering replacement parts for your **DD Series Standard, Low Glass and Low Curved Glass Models** so as to minimize the risk of possible ignition due to incorrect parts.

Description	DD-26(L)(LCG)	DD-46(L)(LCG)	DD-66(L)(LCG)	DD-88(L)(LCG)
LED Driver	23-01878	23-01878	23-01878	23-01878
LED	23-01947	23-01945	23-01947(2 REQ)	23-01950(2 REQ)
Jumper			23-01951	23-01951
Bracket/Attachment	23-01948	23-01948	23-01948	23-01948
Capillary Tube	11-01306	11-01306	11-01306 (2 REQ)	11-01306 (2 REQ)
Compressor	03-50992	03-50992	03-50996	03-50996
Condenser Coil	07-14190	07-14190	07-14186	07-14186
Condenser Fan Blade	15-13093	15-13093		
Condenser Fan Motor	13-00311	13-00311	13-13453	13-13453
Condenser Fan Motor Bracket	13-00754	13-00754		
Compressor grommet	03-50994	03-50994	03-50994	03-50994
Drier	09-09864	09-09864	09-09864	09-09864
Controller	19-14239	19-14239	19-14239	19-14239
Controller Sensor	19-14785	19-14785	19-14785	19-14785
Top Gasket	(37-01544)(37-01536)	(37-01545)(37-01537)	(37-01546)(37-01538)	(37-01547)(37-01539)
FRONT GLASS				
(Straight Glass Model)	31-03991	31-03992	31-03993	31-03994
(Low Glass Model)	31-03976	31-03977	31-03978	31-03979
(Low Curved Glass)	31-04011	31-04012	31-04013	31-04014
SIDE GLASS				
(Straight Glass Model)	31-03995	31-03995	31-03995	31-03995
(Low Glass Model)	31-03480	31-03480	31-03480	31-03480
(Low Curved Glass)	31-04015	31-04015	31-04015	31-04015
Lid Assembly	A394-14500	A395-14500	A396-14500*	A397-14500*
Light Switch	19-14810	19-14810	19-14810	19-14810
Shelf, Wire	33-01879	33-01879	33-01879	33-01879
Recess Bumper	29-01691	29-01691	29-01691	29-01691
Wire Harness (126" Power Cord)	21-01741	21-01741	21-01741	21-01741
Condenser Air Filter			44-01140	44-01140
Distributor			11-02006	11-02006

*Two lid assemblies required for this model.

OPTIONS

Description	DD-26(L/LCG)	DD-46(L/LCG)	DD-66(L/LCG)	DD-88(L/LCG)
Can Holders – Includes White Can Covers	A394-20301	A395-20301	A396-20301	A397-20301
Can Covers Clear White	44-00984 44-01084	44-00984 44-01084	44-00984 44-01084	44-00984 44-01084
Lid Locking Kit	A390-11129	A390-11129	A390-11129 (2 QTY)	A390-11129 (2 QTY)
Casters Set (4 or 6), 3" Dia.	A039-11140	A039-11140	A044-11140	A044-11140
Dipper Well w/Installation Kit	A060-20400	A060-20400	A060-20400	A060-20400
Frost Shields (Patented)	A390-11150 (DD-26), A394-11150 (DD-26L & DD-26LCG)	A391-11150 (DD-46), A395-11150 (DD-46L & DD-46LCG)	A392-11150 (DD-66), A396-11150 (DD-66L & DD-66LCG)	A393-11150 (DD-88), A397-11150 (DD-88L & DD-88LCG)
Legs 6" leg kit	A039-11170	A039-11170	A044-11140	A044-11140
Flavor Tags	A062-20225 (DD-26 only)	A062-20225 (DD-46 only)	A062-20225 (DD-66 only)	A062-20225 (DD-88 only)

DECOMMISSIONING, SALE AND DISPOSAL

If you sell or give away your dipping cabinet, you must make sure that all safety labels and the installation and service manual are included with it. If you need replacement labels or manuals, contact the customer service department.

The customer service department should be contacted at the time of sale or disposal of your cabinet so records may be kept of its new location.

If you sell or give away your cabinet and you evacuate the refrigerant charge before shipment, the refrigerant charge must be properly recovered in compliance with section 608 of the Clean Air Act, effective November 1995, and in accordance with all applicable local, regional, or national standards.

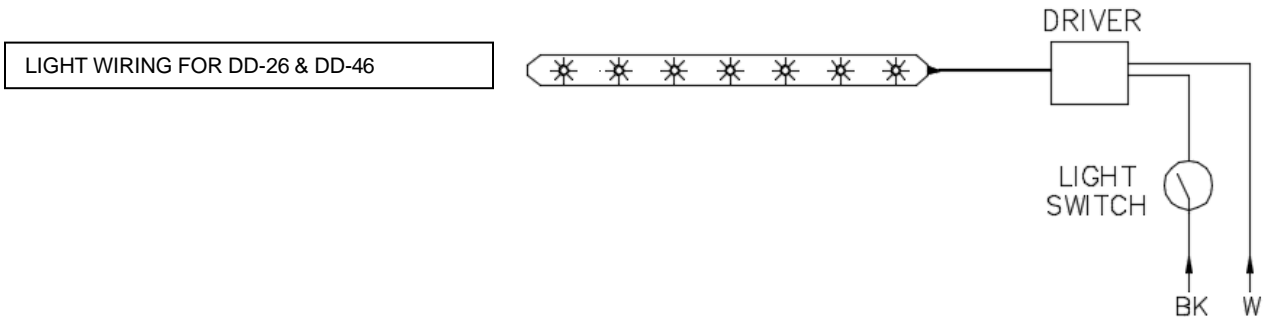
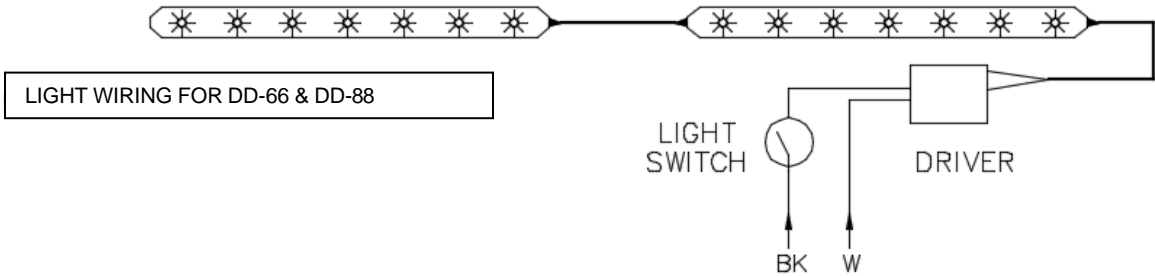
Before conducting this procedure, make sure the technician is familiar with the equipment. Prior to the task being conducted, an oil and refrigerant sample must be taken in case analysis is required prior to re-use of recovered refrigerant. It is essential that electrical power is available before starting the task.

- Isolate the system electrically.
- Before attempting the procedure, ensure that:
 - Mechanical handling equipment is available, if required, for handling refrigerant cylinders
 - All personal protective equipment is available and being used correctly
 - The recovery process is supervised at all times by a competent person
 - Recovery equipment and cylinders conform to the appropriate standards
- Pump down refrigerant system, if possible.
- If a vacuum is not possible, make a manifold so that refrigerant can be removed from various parts of the system.
- Make sure that cylinder is situated on the scales before recovery takes place.
- Start the recovery machine and operate in accordance with instructions.

- Do not overfill cylinders (no more than 80% volume liquid charge).
- Do not exceed the maximum working pressure of the cylinder, even temporarily.
- When the cylinders have been filled correctly and the process completed, make sure that the cylinders and the equipment are removed from site promptly and all isolation valves on the equipment are closed off.
- Recovered refrigerant shall not be charged into another REFRIGERATING SYSTEM unless it has been cleaned and checked.

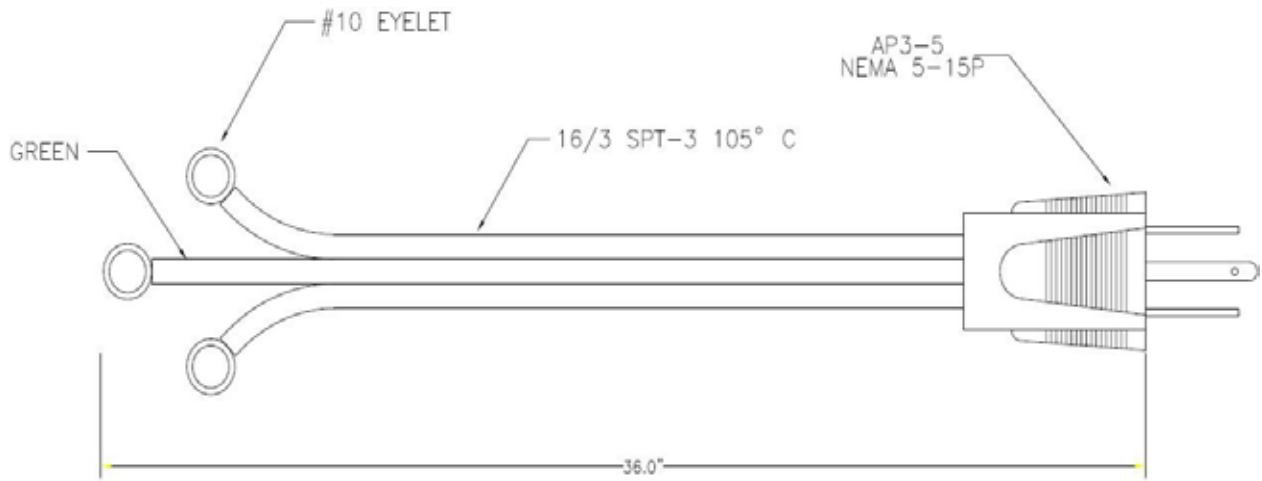
Equipment shall be labeled stating that it has been de-commissioned and emptied of refrigerant. The label shall be dated and signed. For appliances containing FLAMMABLE REFRIGERANTS, ensure that there are labels on the equipment stating the equipment contains FLAMMABLE REFRIGERANT.

LED CONNECTION



POWER CORD TO CONNECT CONDENSING UNIT

MOLDED JUNCTION ASSEMBLY



FOR COMPRESSOR WIRING CONNECTION, PLEASE REFER TO THE COMPRESSOR MANUFACTURER WIRING DIAGRAM



Master-Bilt
908 Highway 15 North
New Albany, MS 38652

800-647-1284 Sales
800-684-8988 Parts/Service