

Microwave Circuit

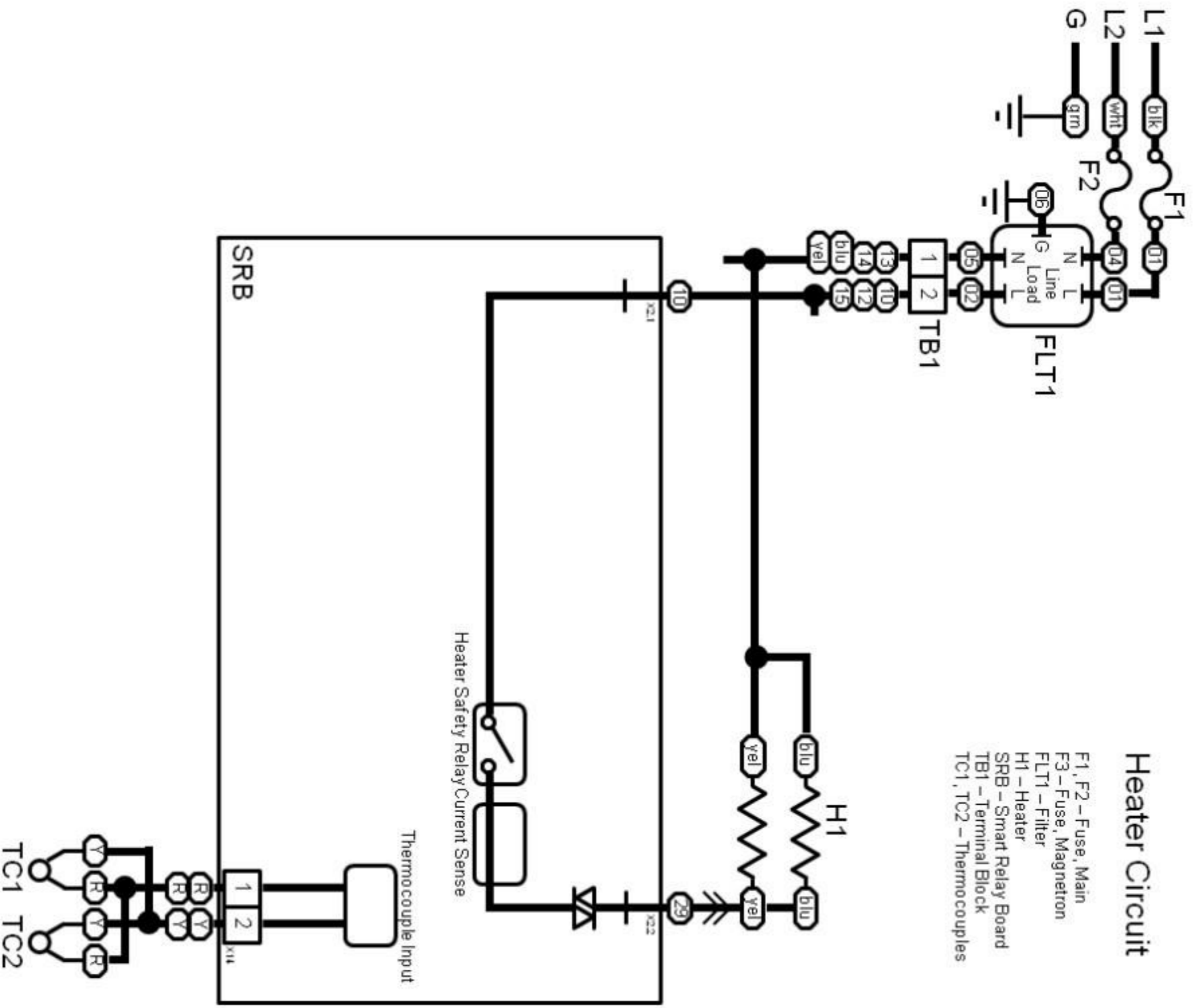
- C1 – Capacitor
- D1 – Diode Board
- F1, F2 – Fuse, Main
- F3 – Fuse, Magnetron
- FLT1 – Filter
- K1 – Relay, Voltage Select
- MAG1 – Magnetron
- SRB – Smart Relay Board
- SW1 – Switch, Monitor (Upper)
- SW2 – Switch, Secondary (Lower)
- SW3 – Switch, Primary (Left)
- TB1 – Terminal Block
- XR1 – Transformer, HV Magnetron

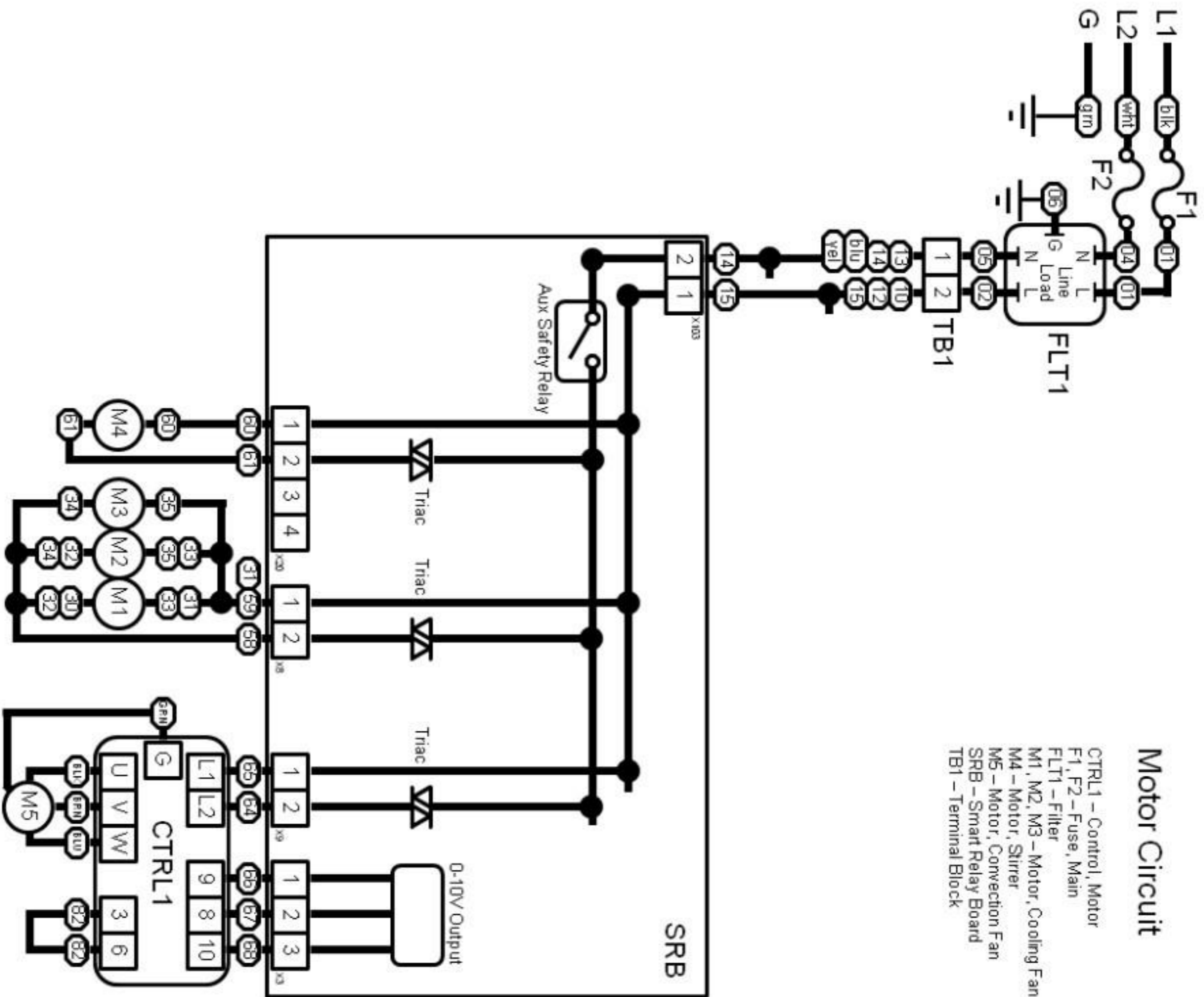
SRB

Microwave Safety Relay Current Sense

Heater Circuit

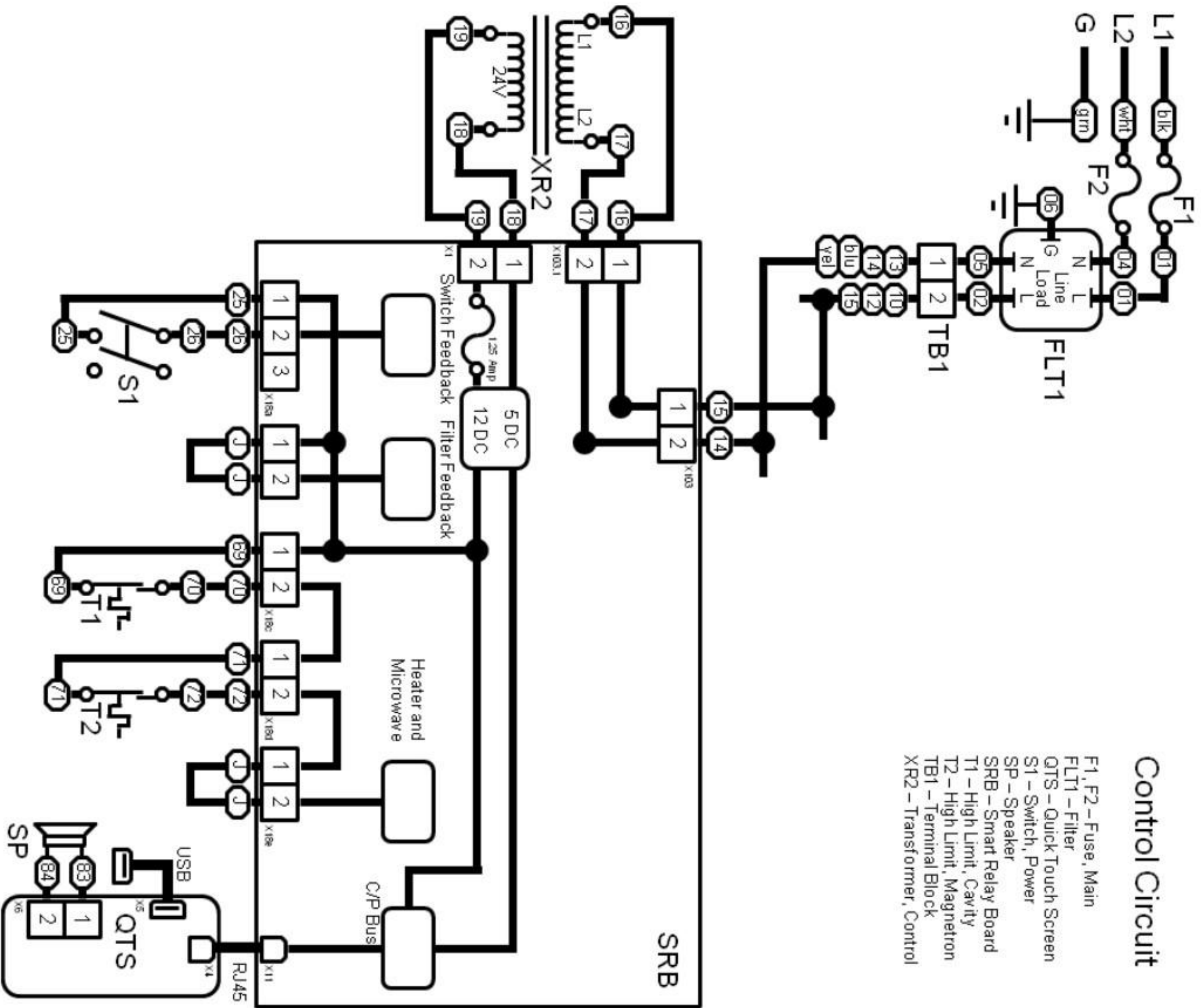
- F1, F2 – Fuse, Main
- F3 – Fuse, Magnetron
- FLT1 – Filter
- H1 – Heater
- SRB – Smart Relay Board
- TB1 – Terminal Block
- TC1, TC2 – Thermocouples





Motor Circuit

- CTRL1 – Control, Motor
- F1, F2 – Fuse, Main
- FLT1 – Filter
- M1, M2, M3 – Motor, Cooling Fan
- M4 – Motor, Stirrer
- M5 – Motor, Convection Fan
- SRB – Smart Relay Board
- TB1 – Terminal Block



Control Circuit

- F1, F2 – Fuse, Main
- FLT1 – Filter
- QTS – Quick Touch Screen
- S1 – Switch, Power
- SP – Speaker
- SRB – Smart Relay Board
- T1 – High Limit, Cavity
- T2 – High Limit, Magnetron
- TB1 – Terminal Block
- XR2 – Transformer, Control

