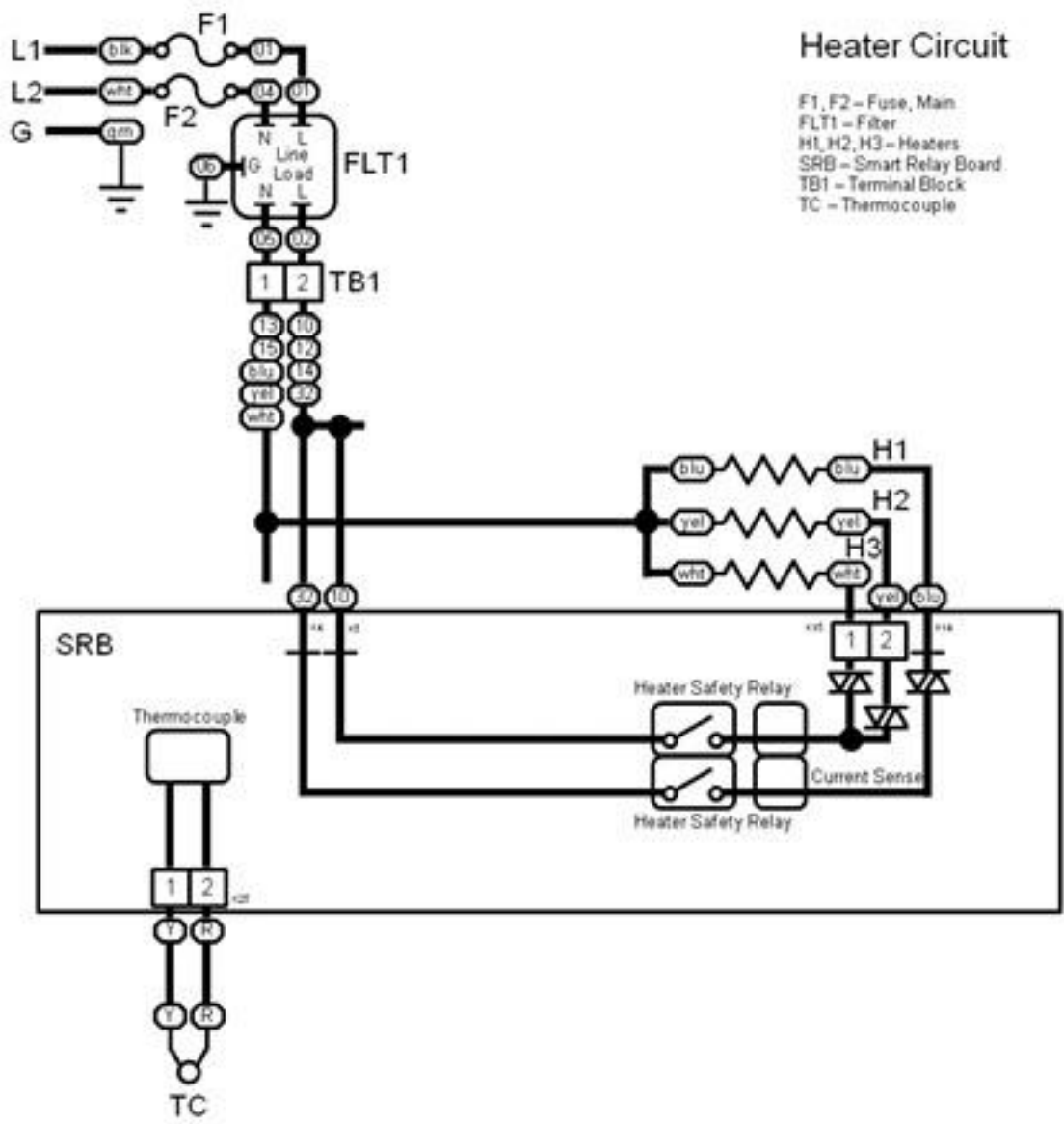
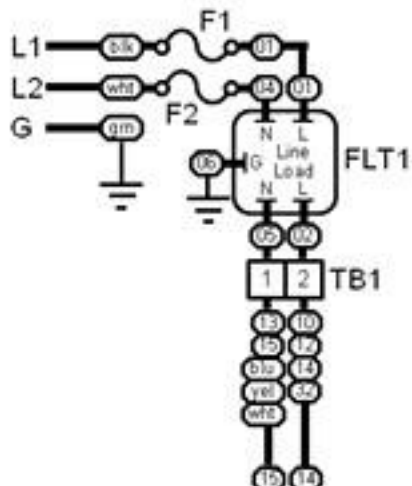


Heater Circuit

F1, F2 - Fuse, Main
FLT1 - Filter
H1, H2, H3 - Heaters
SRB - Smart Relay Board
TB1 - Terminal Block
TC - Thermocouple



Control Circuit



- F1, F2 – Fuse, Main
- FLT1 – Filter
- OTS – Quick Touch Screen
- SW4 – Switch, Power
- SP – Speaker
- SRB – Smart Relay Board
- T1 – High Limit, Cavity
- T2 – High Limit, Magnetron
- T3 – High Limit, Magnetron
- TB1 – Terminal Block
- XFRM3 – Transformer, Control

