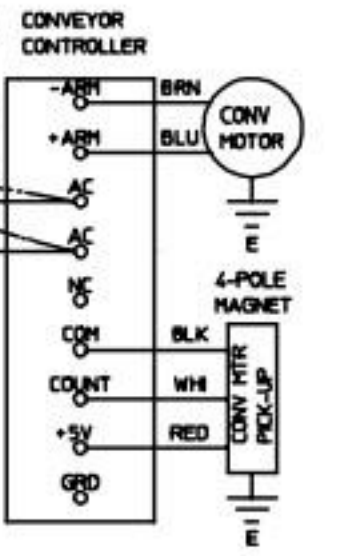
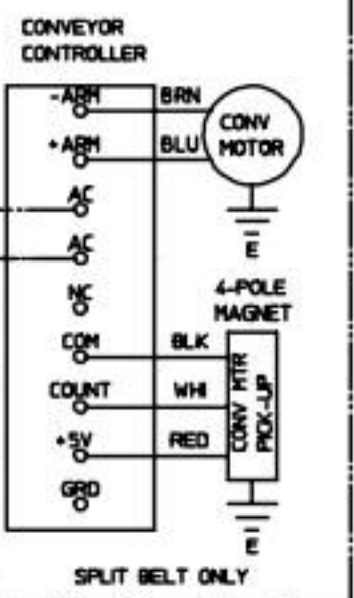


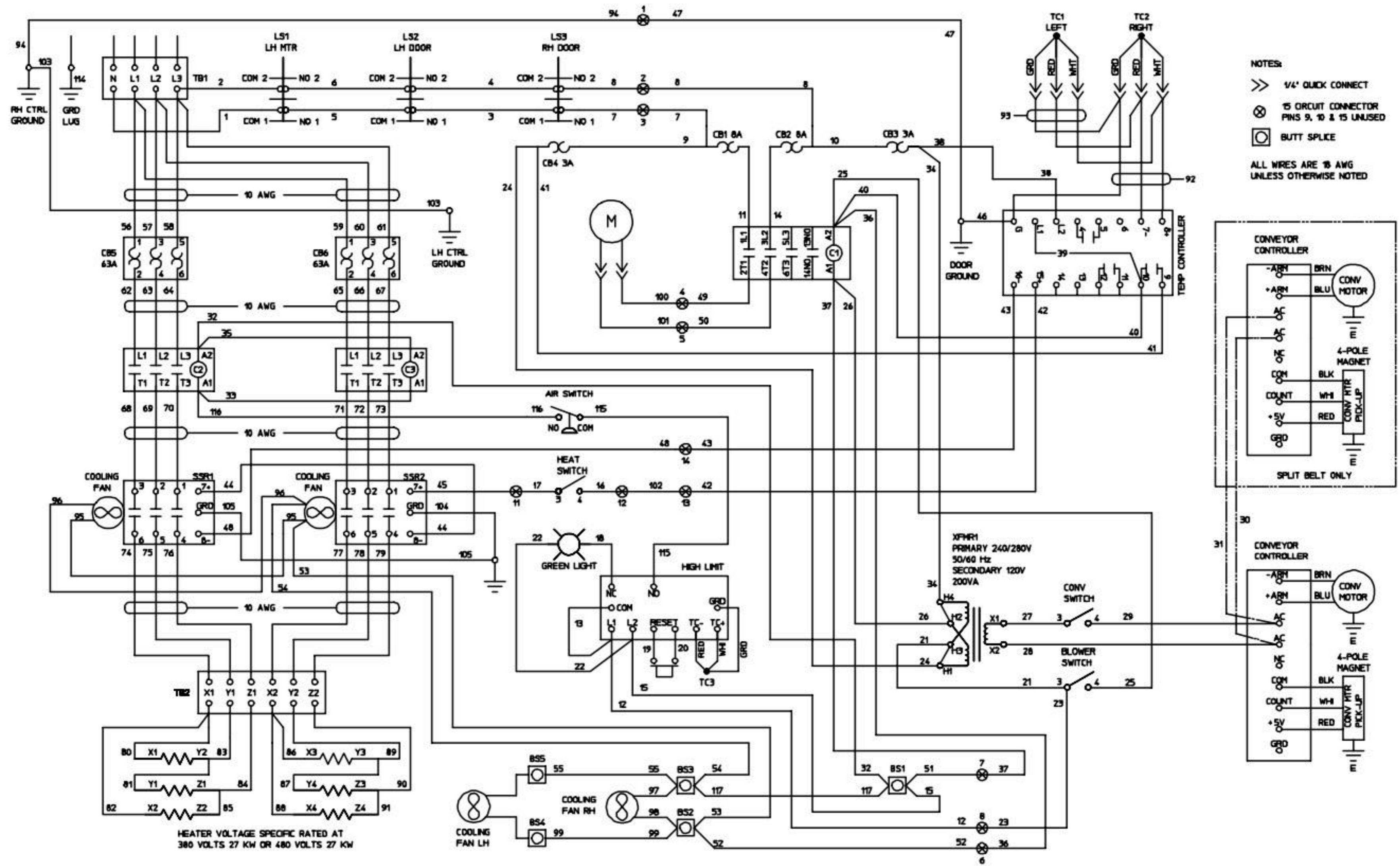
- NOTES:
- >> 1/4" QUICK CONNECT
  - ⊗ 15 CIRCUIT CONNECTOR PINS 9, 10 & 15 UNUSED
  - ⊖ BUTT SPLICE
- ALL WIRES ARE 18 AWG UNLESS OTHERWISE NOTED

HEATER VOLTAGE SPECIFIC RATED AT 208 VOLTS 27 KW OR 240 VOLTS 27 KW

COOLING FAN RH

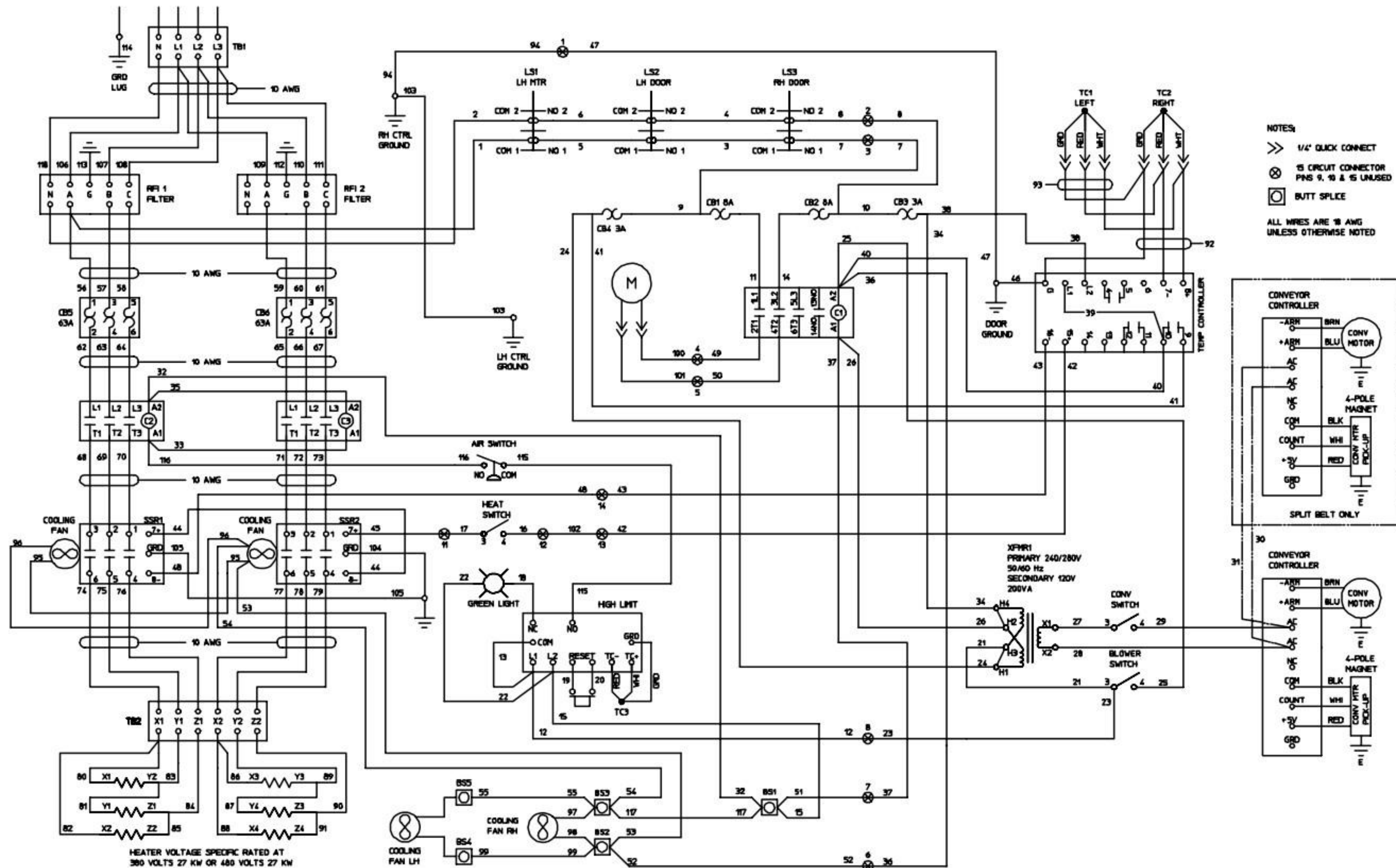
COOLING FAN LH



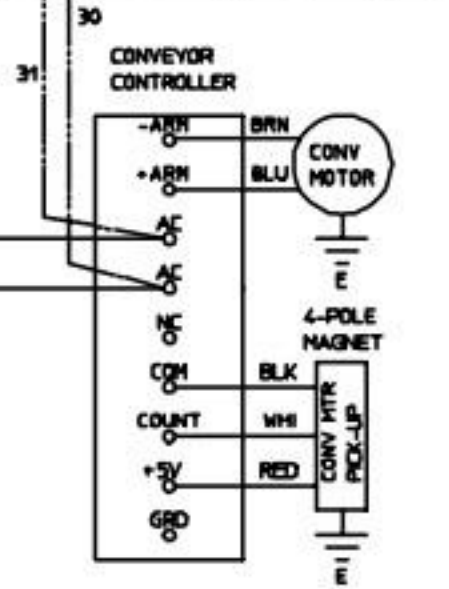
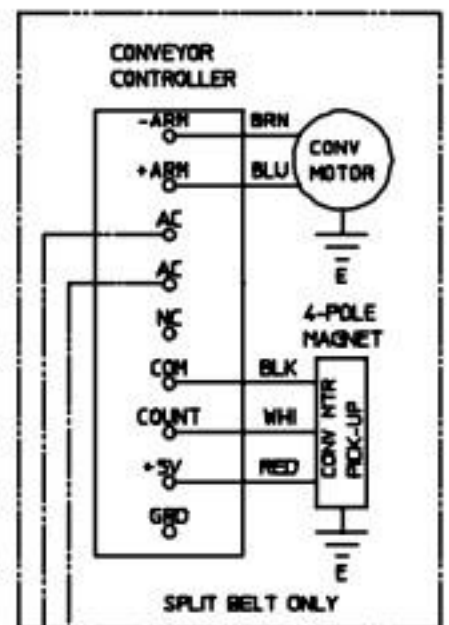


NOTES:  
 >> V4' QUICK CONNECT  
 ⊗ 15 CIRCUIT CONNECTOR PINS 9, 10 & 15 UNUSED  
 □ BUTT SPLICE  
 ALL WIRES ARE 18 AWG UNLESS OTHERWISE NOTED

HEATER VOLTAGE SPECIFIC RATED AT 380 VOLTS 27 KW OR 480 VOLTS 27 KW



- NOTES:
- >> 1/4" QUICK CONNECT
  - ⊗ 15 CIRCUIT CONNECTOR PINS 9, 10 & 15 UNUSED
  - ⊖ BUTT SPLICE
- ALL WIRES ARE 18 AWG UNLESS OTHERWISE NOTED



HEATER VOLTAGE SPECIFIC RATED AT  
380 VOLTS 27 KW OR 480 VOLTS 27 KW

