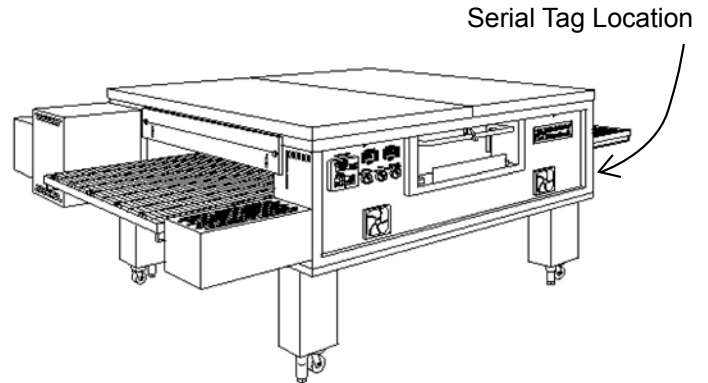
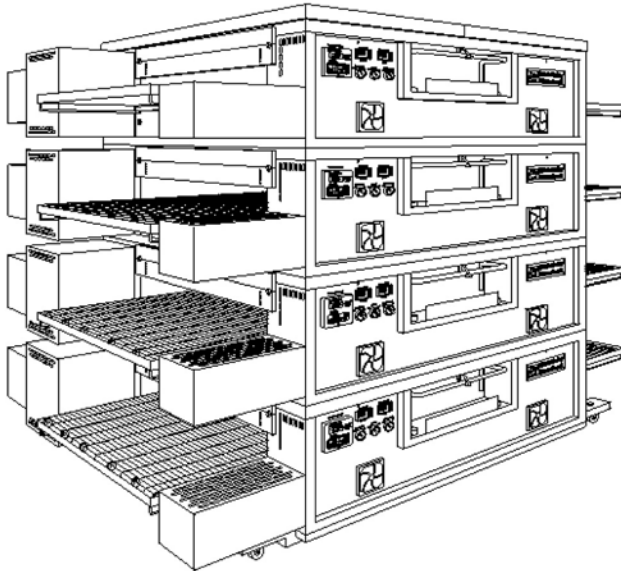




**PS555E Parts**  
**Electric (Domestic & Std. Export)**

**SPL030106-PF-BD**  
**Dated: March 1, 2006**  
**Replaces PMD-15-05**  
**Rev. B VI 12/00**



Serial # Code  
First 4 digits - order of production  
Fifth digit - model specific  
Sixth and Seventh digit - month of production  
Eighth and Ninth digit - year of production

# ***PS555 Electric Oven***

# ***Parts Manual***

***for domestic and standard export ovens***

## **TABLE OF CONTENTS: PAGE 2**

©2006 Middleby Marshall Inc.

[www.middleby.com](http://www.middleby.com)

email: [techsupport@middleby.com](mailto:techsupport@middleby.com)

(847) 741-3000 fax (847) 741-4406 (Parts Department)



is a registered trademark of Middleby Marshall, Inc., A Middleby Company. All rights reserved.

Middleby Cooking Systems • 1400 Toastmaster Drive • Elgin, IL 60120

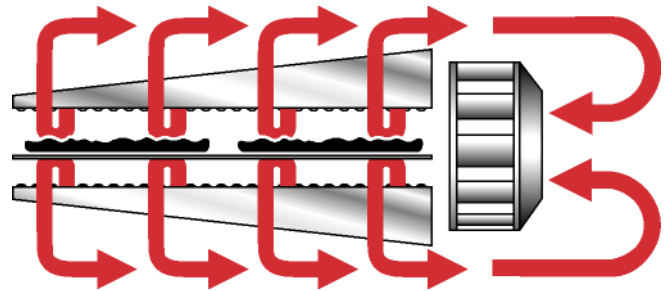
## TABLE OF CONTENTS

SPECIFICATION SHEET .....	3
KEY PARTS .....	7
VIEW OF INSTALLATION KIT & BASE PAD KIT .....	8
PARTS FOR INSTALLATION KIT & BASE PAD KIT .....	9
VIEW OF OVEN PANELS, WINDOW AND LEGS .....	10
PARTS FOR OVEN PANELS, WINDOW AND LEGS .....	11
VIEW OF FRONT CONTROL PANEL .....	12
PARTS FOR FRONT CONTROL PANEL .....	13
VIEW OF REAR SIDE COMPARTMENT(S) .....	14
PARTS FOR REAR SIDE COMPARTMENT(S) .....	15
VIEW OF BLOWER MOTOR ASSEMBLIES .....	16
PARTS FOR BLOWER MOTOR ASSEMBLIES .....	17
VIEW OF HEATING UNIT ASSEMBLIES .....	18
PARTS FOR HEATING UNIT ASSEMBLIES .....	19
VIEW OF SINGLE BELT CONVEYOR .....	20
PARTS FOR SINGLE BELT CONVEYOR .....	21
VIEW OF 50/50 SPLIT BELT CONVEYOR .....	22
PARTS FOR 50/50 SPLIT BELT CONVEYOR .....	23
FINGERS - STANDARD CONFIGURATION WITH PARTS .....	24
LADDER DIAGRAM US 208/240V 44553D 3-PHASE SHEET 1 .....	25
WIRING DIAGRAM US 208/240V 44553D 3-PHASE SHEET 2 .....	26
LADDER DIAGRAM US 380/480V 44961E 3-PHASE SHEET 1 .....	27
WIRING DIAGRAM US 380/480V 44961E 3-PHASE SHEET 2 .....	28
WIRING DIAGRAM US 26KW208/240V 3-PHASE 58542C .....	29
WIRING DIAGRAM DN CE 380V 3-PHASE 47298B .....	30
WIRING DIAGRAM DUT CE 380V 3-PHASE 47300B .....	31
LADDER DIAGRAM ENG CE 380V 3-PHASE 44643D SHEET 1 .....	32
WIRING DIAGRAM ENG CE 380V 3-PHASE 44643D SHEET 2 .....	33
WIRING DIAGRAM FR CE 380V 3-PHASE 45507B .....	34
WIRING DIAGRAM GM CE 380V 3-PHASE 45509B .....	35
WIRING DIAGRAM GK CE 380V 3-PHASE 47302B .....	36
WIRING DIAGRAM IT CE 380V 3-PHASE 45511B .....	37
WIRING DIAGRAM SP CE 380V 3-PHASE 45513B .....	38
WIRING DIAGRAM SW CE 380V 3-PHASE 45515B .....	39



**Principle**

Middleby Marshall PS Series conveyor ovens bake both faster and at a lower temperature than other ovens. Patented vertical columns of hot air move heat aerodynamically instead of using high temperatures. The streams of hot air remove the boundary layers of cool heavy air which tend to insulate the product. This gives very rapid baking without burning. All Middleby ovens are designed to cook a multitude of products including pizza, seafood, bagels, ethnic foods and more.



**Standard Features**

- **Impingement PLUS!** low oven profile and dual air return
- 55"/1397mm-long cooking chamber
- 32"/813mm-wide, 90"/2286mm-long conveyor belt
- Stackable up to four units high
- Patented "Jet Sweep" impingement process that delivers constant heat to the chamber
- Microprocessor-controlled bake time/conveyor speed
- Customer-specific adjustable jet fingers that allow control of heat delivery
- Stainless steel front, sides and top
- Front-loading window with cool handle
- Reversible conveyor direction

**Optional Features**

- Split belt - two 15"/381mm belts with individually-adjustable speed settings

**Conserves Energy**

Middleby ovens provide very efficient heat transfer to product. Energy is conserved as air is recycled from heater to product, with minimum flue or vent loss.

**Cleanability**

PS555 ovens are designed for easy cleaning. Removable parts include: crumb pans, end panels, air fingers, and a folding conveyor belt assembly.

**Easily Serviced**

Control compartment is designed for quick and easy access. Primary electrical components are door-mounted.

**Warranty**

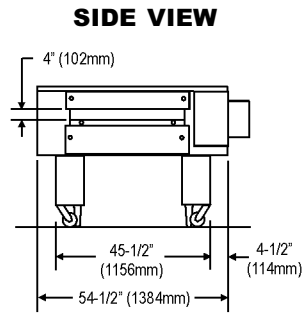
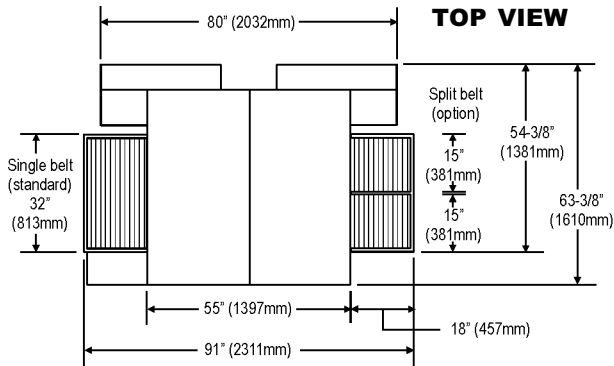
All PS555 models have a one year parts and labor warranty. Oven start-up and demonstration are included at no additional charge (USA only).

**Ventilation**

Use of a ventilation hood is strongly recommended.

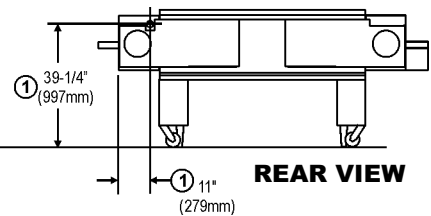
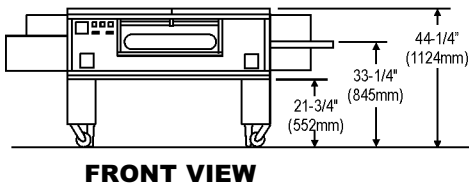
\* Patent pending



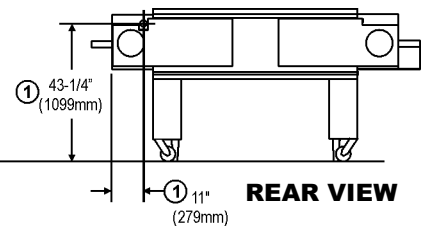
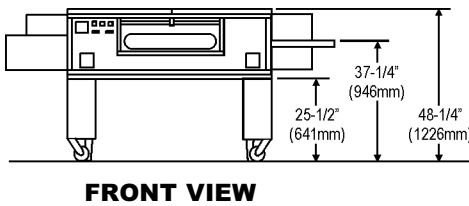


① Electrical Utility Connection

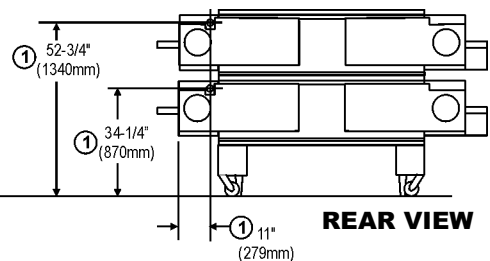
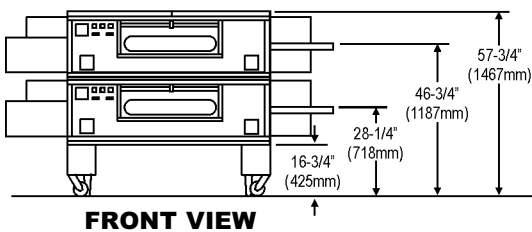
**PS555-1 Single Oven  
with 15" (381mm) leg extensions**



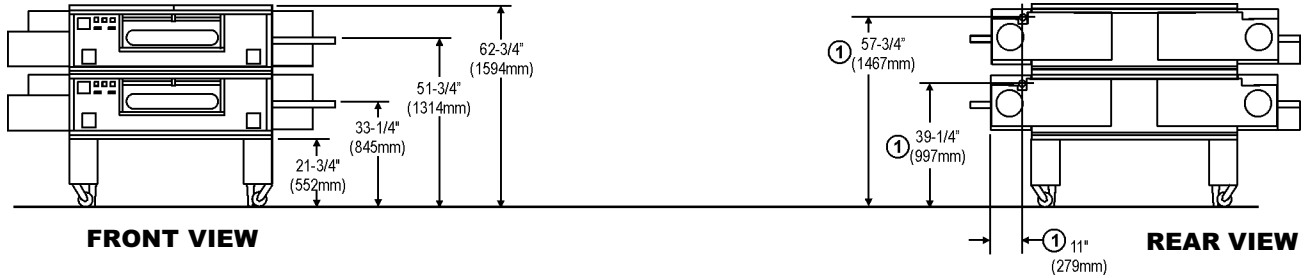
**PS555-1 Single Oven  
with 19" (483mm) leg extensions**



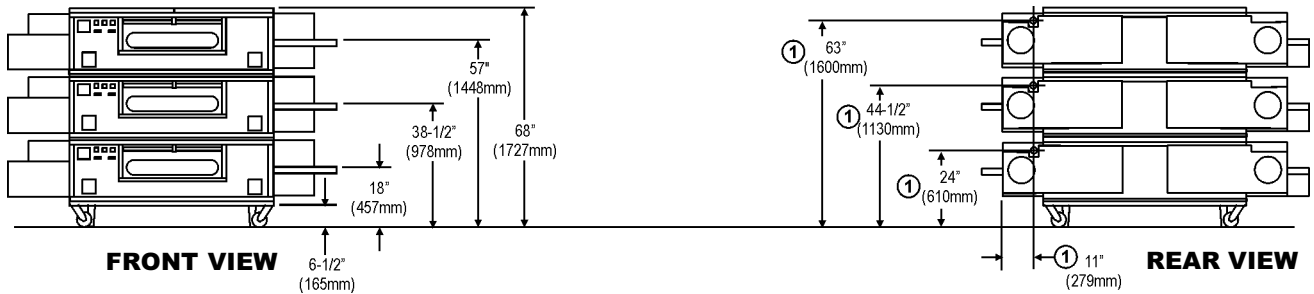
**PS555-2 Double Oven  
with 10" (254mm) leg extensions**



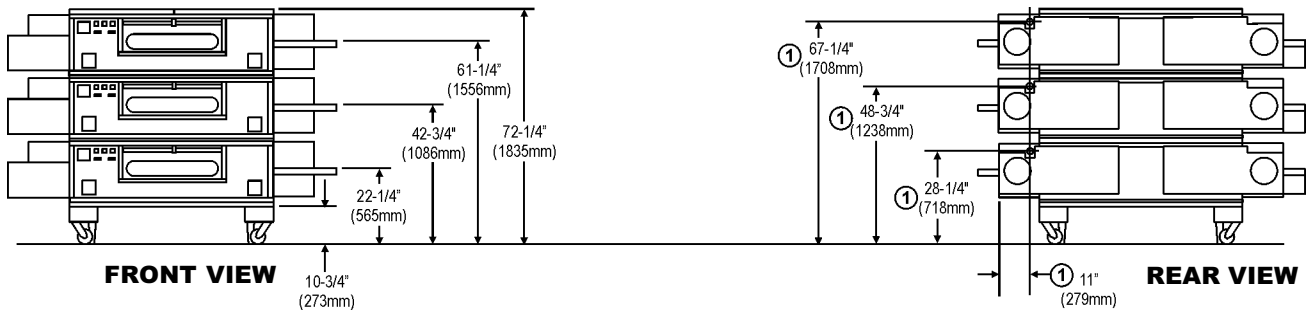
**PS555-2 Double Oven with 15" (381mm) leg extensions**



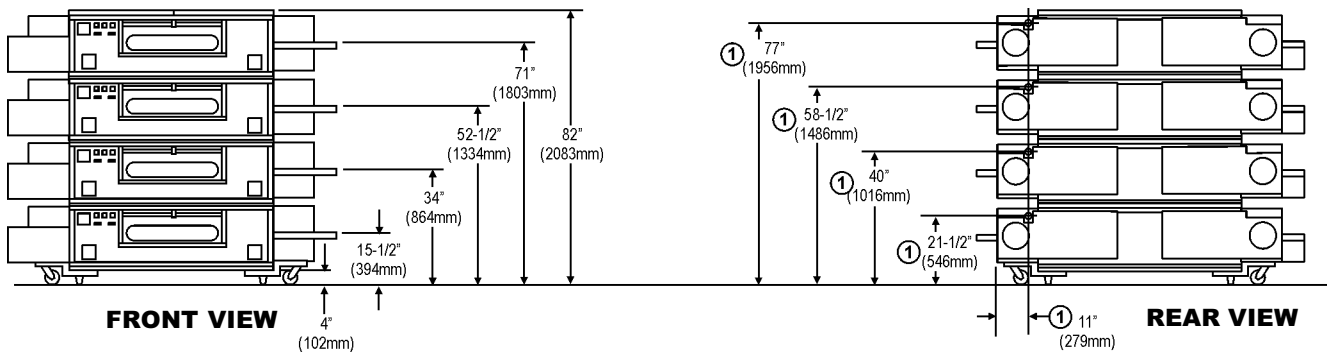
**PS555-3 Triple Oven without leg extensions**



**PS555-3 Triple Oven with 4" (102mm) leg extensions**



**PS555-4 Quad Oven with outriggers**










**RECOMMENDED MINIMUM CLEARANCES**

Rear of oven to wall	Control end of oven to wall	Non-control end of oven to wall
6" (152mm)	0" (0mm)	0" (0mm)

**GENERAL INFORMATION**

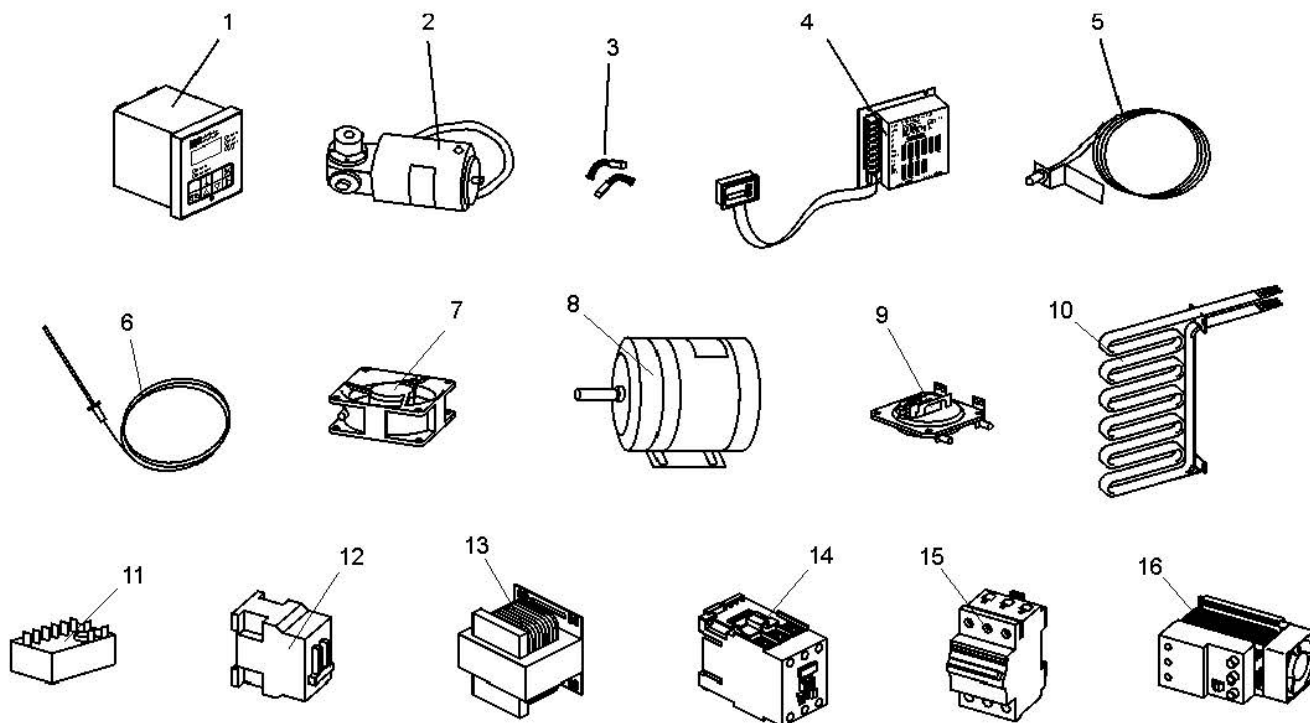
	Heating Zone	Baking Area	Belt Length	Conveyor Belt Width	Depth	Height	Max. Temp.	Bake Time Range	Ship Wt.	Ship Cube
PS555-1 with 15" (254mm) leg extensions	55" 1397mm	12.2 sq. ft. 1.13m <sup>2</sup>	91" 2311mm	1 x 32" (813mm) OR 2 x 15" (381mm)	63-3/8" 1584mm	44-1/4" 1124mm	550°F 288°C	2:40- 29:50	1250 lbs. 568kg	160 ft. <sup>3</sup> 4.5m <sup>3</sup>
PS555-1 with 19" (483mm) leg extensions	55" 1397mm	12.2 sq. ft. 1.13m <sup>2</sup>	91" 2311mm	1 x 32" (813mm) OR 2 x 15" (381mm)	63-3/8" 1584mm	48-1/4" 1226mm	550°F 288°C	2:40- 29:50	1250 lbs. 568kg	160 ft. <sup>3</sup> 4.5m <sup>3</sup>
PS555-2 with 10" (254mm) leg extensions	110" 2794mm	24.4 sq. ft. 2.27m <sup>2</sup>	91" 2311mm	1 x 32" (813mm) OR 2 x 15" (381mm)	63-3/8" 1584mm	57-3/4" 1467mm	550°F 288°C	2:40- 29:50	2500 lbs. 1135kg	320 ft. <sup>3</sup> 9.0m <sup>3</sup>
PS555-2 with 15" (381mm) leg extensions	110" 2794mm	24.4 sq. ft. 2.27m <sup>2</sup>	91" 2311mm	1 x 32" (813mm) OR 2 x 15" (381mm)	63-3/8" 1584mm	62-3/4" 1594mm	550°F 288°C	2:40- 29:50	2500 lbs. 1135kg	320 ft. <sup>3</sup> 9.0m <sup>3</sup>
PS555-3 without leg extensions	165" 4191mm	36.6 sq. ft. 3.40m <sup>2</sup>	91" 2311mm	1 x 32" (813mm) OR 2 x 15" (381mm)	63-3/8" 1584mm	68" 1727mm	550°F 288°C	2:40- 29:50	3750 lbs. 1703kg	480 ft. <sup>3</sup> 13.5m <sup>3</sup>
PS555-3 with 4" (102mm) leg extensions	165" 4191mm	36.6 sq. ft. 3.40m <sup>2</sup>	91" 2311mm	1 x 32" (813mm) OR 2 x 15" (381mm)	63-3/8" 1584mm	72-1/4" 1835mm	550°F 288°C	2:40- 29:50	3750 lbs. 1703kg	480 ft. <sup>3</sup> 13.5m <sup>3</sup>
PS555-4 with outriggers	220" 5588mm	48.8 sq. ft. 4.54m <sup>2</sup>	91" 2311mm	1 x 32" (813mm) OR 2 x 15" (381mm)	63-3/8" 1584mm	82" 2083mm	550°F 288°C	2:40- 29:50	5000 lbs. 2270kg	640 ft. <sup>3</sup> 18.0m <sup>3</sup>

**ELECTRICAL SPECIFICATIONS**

Version	Voltage	Phase	Freq.	Current Draw (per line) *				N	Rated Heat Input	Supply	Breakers
				L1	L2	L3					
 	208V	3	50/60 Hz	97.4A	88.8A	97.4A	-	32 kW	3 pole, 4 wire (2 hot, 1 gnd)	As per local codes	
 	220-240V	3	50/60 Hz	83.0- 90.0A	75.0- 86.0A	83.0- 90.0A	-	29.3- 34.8 kW	3 pole, 4 wire (2 hot, 1 gnd)	As per local codes	
 	480V	3	50/60 Hz	38.5A	38.5A	47.7A	9.2A	32 kW	4 pole, 5 wire (3 hot, 1 neut., 1 gnd)	As per local codes	
	380V	3	50 Hz	48.6A	48.6A	57.8A	9.2A	32 kW	4 pole, 5 wire (3 hot, 1 neut., 1 gnd)	As per local codes	

\* The current draw ratings shown above are average values for normal operation. The initial amperage draw on oven startup may exceed the listed value.

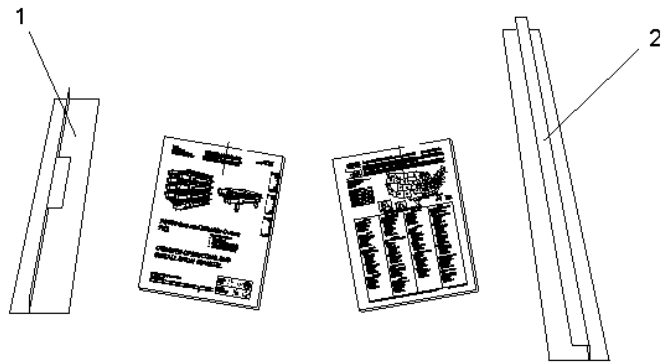
**ALL SPECIFICATIONS SUBJECT TO CHANGE WITHOUT NOTICE.**



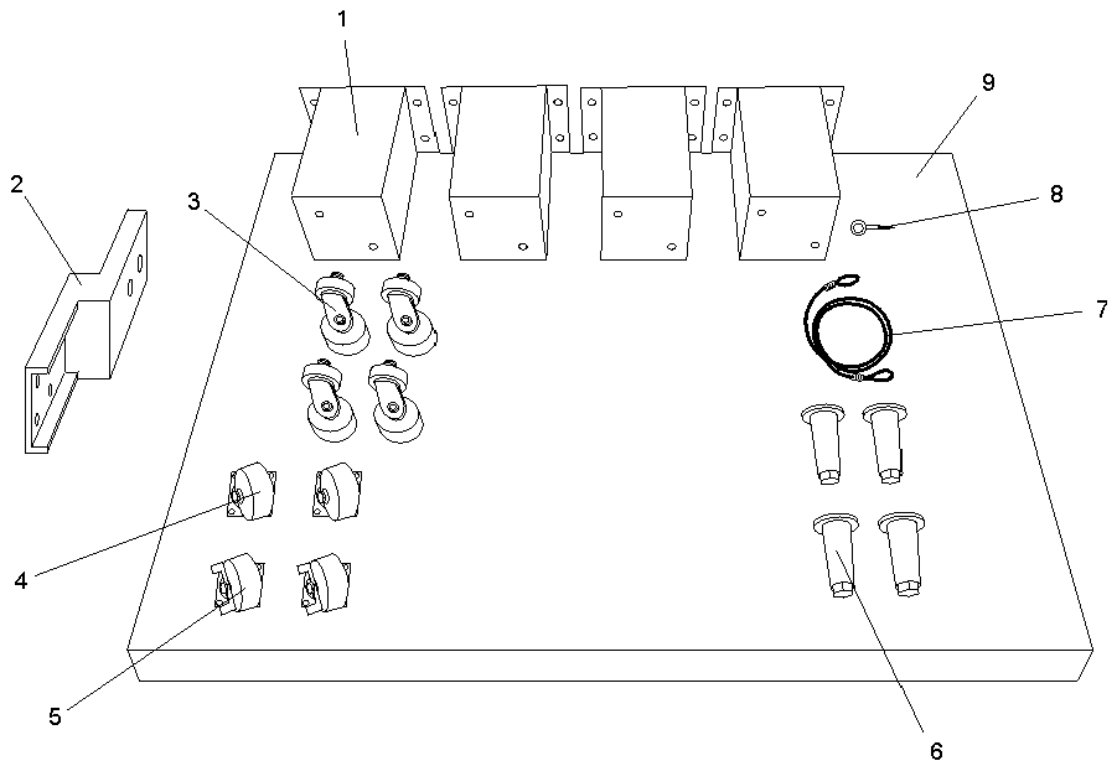
### KEY PARTS

ITEM	QTY.	P/N	DESCRIPTION
1	1	58504	KIT, DIGITAL TEMPERATURE CONTROLLER, REPLACES 47321
2	1	47796	MOTOR, CONVEYOR DRIVE 1400:1 STANDARD
2a	1	51059	MOTOR, CONVEYOR DRIVE 600:1 HIGH SPEED
3	2	45017	BRUSHES, DRIVE MOTOR
4	1	58323	KIT, CONVEYOR SPEED CONTROLLER, REPLACES 37337
5	1	50265	ASSEMBLY, PICKUP, CONVEYOR DRIVE
6	4	33984	KIT, THERMOCOUPLE
7	2	97525	FAN, COOLING
8	2	27381-0069	MOTOR, BLOWER, 1 HP
9	2	50610	AIR SWITCH, REPLACES 39530
10a	4	43337	HEATING ELEMENT, 208V
10b	4	44525	HEATING ELEMENT, 230V
10c	4	44526	HEATING ELEMENT, 380V
10d	4	44527	HEATING ELEMENT, 480V
11	1	33983	HIGH LIMIT CONTROL MODULE, 240V
12	1	28041-0011	CONTACTOR
13	1	31504	TRANSFORMER, 230VP:120VS
14	2	44549	CONTACTOR
15	2	45019	CIRCUIT BREAKER BLOCK, 3-POLE, 63A
16a	2	44568	(380V & 480V OVENS) SOLID STATE RELAY WITH COOLING FAN
16b	2	44914	(208V, 230V & 240V OVENS) SOLID STATE RELAY WITH COOLING FAN

### VIEW OF INSTALLATION KIT



### VIEW OF BASE PAD KIT



## PARTS FOR INSTALLATION KIT

ITEM	QTY. - SGL. BELT	QTY. - SPLIT BELT	P/N	DESCRIPTION
1	1	1	55027	CONVEYOR REAR STOP
2	1	1	55028	CONVEYOR END STOP

## PARTS FOR BASE PAD KIT

ITEM	QTY. SINGLE OVEN	QTY. - DBL. OVEN W/ 10" LEGS	QTY. - DBL. OVEN W/ 15" LEGS	QTY. TRIPLE OVEN	QTY. QUAD OVEN	P/N	DESCRIPTION
1a	4	--	--	--	--	37210-0060	LEG, 19" (483mm)
1b	--	4	--	--	--	37210-0082	LEG, 10" (254mm) NO LONGER AVAILABLE
1c	4	--	4	--	--	37210-0057	LEG, 15" (381mm)
1d	--	--	4	--	--	39684	LEG 4"
2	--	--	--	--	4	45209	OUTRIGGER
3	2	2	2	2	--	37115-0102	CASTER, SWIVEL (WITH STUD)
3a	2	2	2	2	--	58930	CASTER, SWIVEL W/ BRAKE
4	--	--	--	--	2	45357	CASTER, SWIVEL (WITH FLAT PLATE)
5	--	--	--	--	2	45664	CASTER, SWIVEL (WITH FLAT PLATE AND BRAKE)
6	4	4	4	4	--	22450-0028	ADJUSTABLE LEG
7	1	1	1	1	1	22450-0253	RESTRAINT CABLE, 60" (1524mm)
8	1	1	1	1	1	21392-0005	EYE BOLT/LAG SCREW
9	2	2	2	2	2	41582	TOP COVER (RIGHT OR LEFT)

### NOT SHOWN:

10	1	1	1	1	1	41643	BASE PAD, INSULATED
11	8	8	8	8	8	21256-0069	SCREW, 10-32 X 1-1/4" SL TRUS HD
12	16	16	16	--	8	21216-0018	BOLT, 1/2-13 X 1-1/4" HEX CAP
13	16	16	16	--	8	21416-0003	FLAT WASHER, 1/2"
14	16	16	16	--	8	21426-0004	LOCK WASHER, 1/2"
15	--	--	--	--	16	220373	BOLT, 3/8-16 X 1" HEX CAP
16	--	--	--	--	16	21416-0001	FLAT WASHER, 3/8"
17	--	--	--	--	16	21422-0001	LOCK WASHER, 3/8"
18	--	--	--	--	4	45206	INSERT - QUAD FOOT
19	--	--	--	--	4	45205	SPACER - QUAD

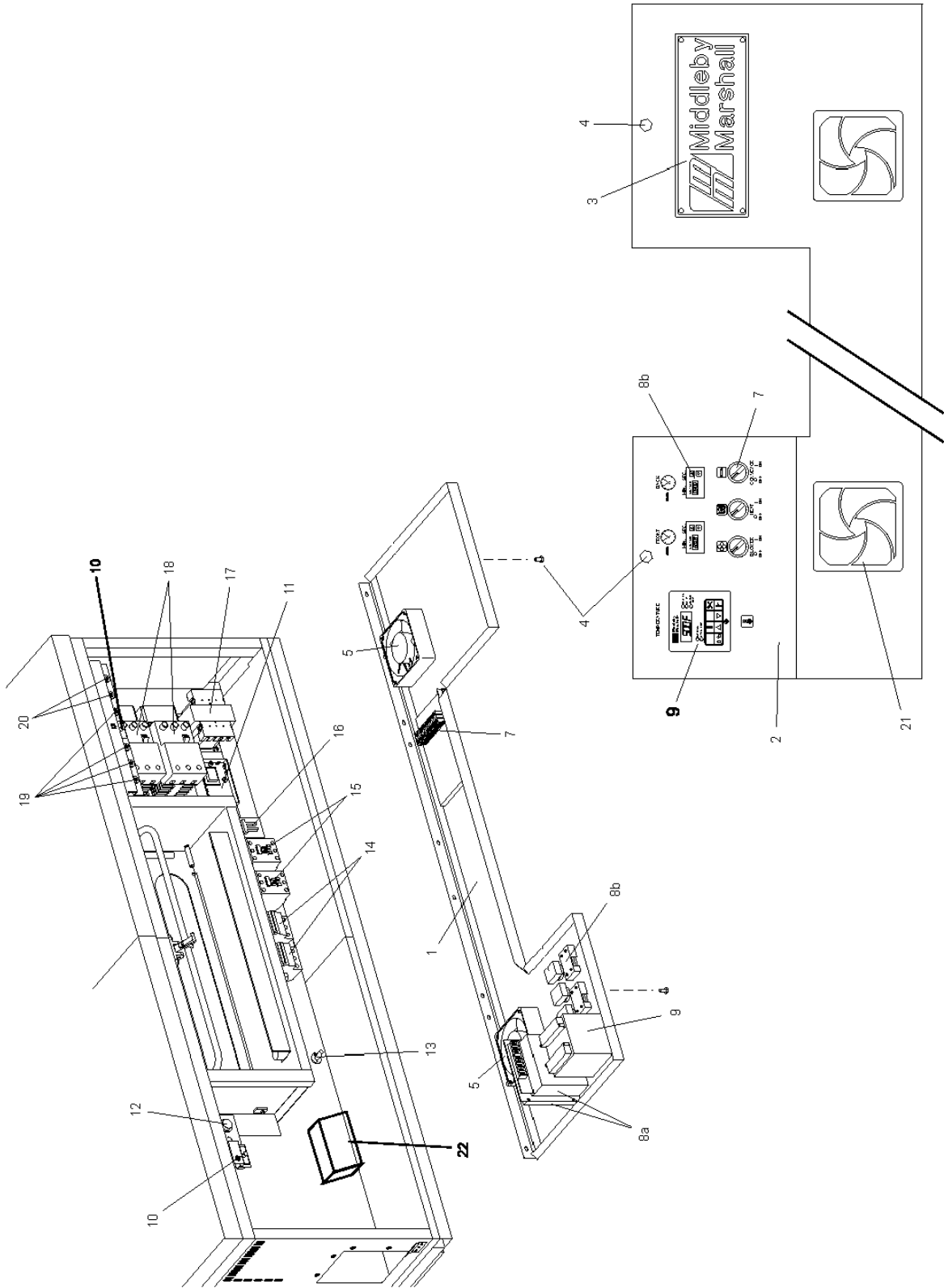


## PARTS FOR OVEN PANELS, WINDOW AND LEGS

ITEM	QTY.	P/N	DESCRIPTION
1	2	39539	ASSY, UPPER END PLUG <i>(INC. ITEMS 2-6)</i>
2	1	41778	WELDMENT, UPPER END PLUG PS500
3	1	50834	EYEBROW 37" BETWEEN CENTER HOLES
3a	1	41738	EYEBROW - EARLY PRODUCTION 2 SHOTS - 31" BETWEEN CENTER HOLES
4	2	220295	SCREW, "AB" HEX WSHR HD #10 X 3/4"
5	2	36452	WING NUT, 1/4"-20 W/PLASTIC GRIP
6	2	41708	PLATE, END PLUG MOUNTING
8	2	39569	ASSY, LOWER END PLUG <i>(INC. ITEMS 9-12)</i>
9	1	41779	WELDMENT, LOWER END PLUG PS500
10	2	36452	WING NUT, 1/4"-20 W/PLASTIC GRIP
11	2	41708	PLATE, END PLUG MOUNTING
13	1	44494	DRIVE MOTOR SHROUD
15	2	A6153	SCREW, HEX HD 1/4"-20 X 1/2"
17a	1	44773	ASSY, LEFT MOTOR SHROUD
17b	1	44641	ASSY, RIGHT MOTOR SHROUD
18a	1	44711	ASSY, LEFT REAR SHROUD <i>(INC. ITEMS 19-22)</i>
18b	1	44706	ASSY, RIGHT REAR SHROUD <i>(INC. ITEMS 19-22)</i>
19	1	31765	GRILL, COOLING FAN
20	2	4021D8905	BUMPER
21	1	19A1S144	SCREW, #10-32 X 1-1/4"
23	A/R	4111A8815	SCREW, HEX HD #10-32 X 1/2"
24	2	41582	TOP COVER, PS555
25	8	21256-0069	SCREW, SLT TRS HD #10-32 X 1-1/4"
26	2	42554	INSULATION, ROOF PRECUT PS555
27	1	42488	WINDOW GUARD, PS555
28	2	30927	BUMPER, WINDOW

ITEM	QTY.	P/N	DESCRIPTION
29	1	41643	BASE PAD, PS555
30	1	34121-0003	SCREW, WINDOW PIVOT
31	1	45012	ASSY, WINDOW WITH HANDLE
31a	1	45011	FRAME WITH HANDLE
32	1	41597	GLASS, PRE-CUT 3-1/2" X 20"
33	2	44479	RETAINER, WINDOW GLASS
34	1	44677	MOUNTING BRACKET, WINDOW LATCH
35	1	17130-0006	SEALANT - GLASS
36	1	45087	ASSY, WINDOW LATCH
37	2	2000301	SCREW, HEX HD 1/4"-20 X 1-3/4"
38a	4	37210-0060	LEG, 19" (483mm) - SINGLE OVEN
38b	4	37210-0057	LEG, 15" (381mm) - DOUBLE OVEN
38c	4	37210-0082	LEG, 10" (254mm) - DOUBLE OVEN NO LONGER AVAILABLE
38d	4	39684	LEG, 4" (102mm) - OPTIONAL FOR TRIPLE OVEN
39	A/R	21216-0018	BOLT, HEX CAP 1/2"-13 X 1-1/4"
40	A/R	21426-0004	LOCKWASHER, 1/2" - SGL & DBL OVENS
41	A/R	21416-0003	FLAT WASHER, 1/2" - SGL & DBL OVENS
42	2	37115-0102	CASTER, SWIVEL WITH 3/4" STUD
42	2	58930	CASTER, SWIVEL WITH BRAKE
43	4	22450-0028	LEG, 6" (152mm) ADJUSTABLE WITH 3/4" STUD - SINGLE, DOUBLE, & TRIPLE OVENS
44	4	45209	OUTRIGGER - QUAD OVEN
45a	2	45357	CASTER - SWIVEL QUAD
45b	2	45664	CASTER - SWIVEL WITH BRAKE - QUAD
46	16	220373	SCREW, HEX HD 3/8"-16 X 1" - QUAD OVENS
47	16	21422-0001	LOCKWASHER, 3/8" - QUAD OVENS
48	16	21416-0001	FLAT WASHER, 3/8" - QUAD OVENS
49	4	45206	INSERT - QUAD FOOT
50	4	45205	SPACER - QUAD

**VIEW OF FRONT CONTROL PANEL**

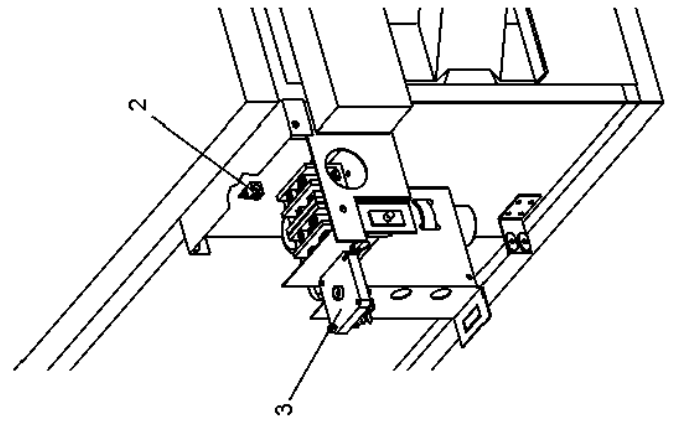
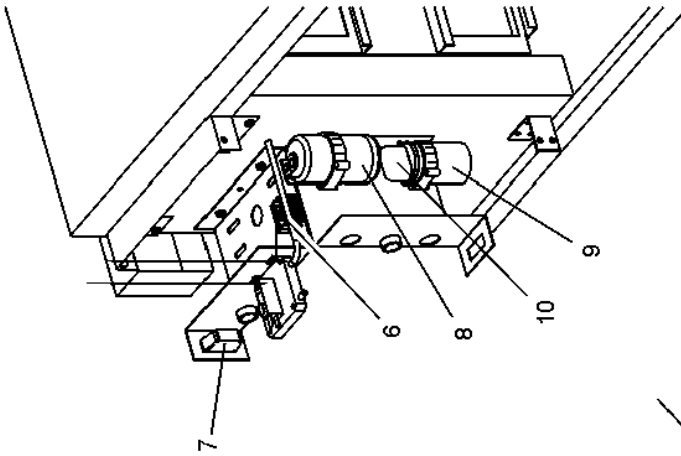
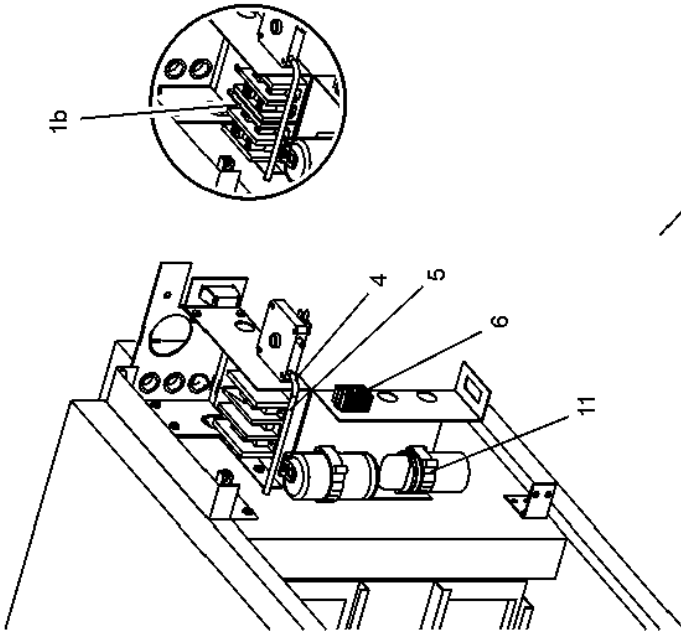


## PARTS FOR FRONT CONTROL PANEL

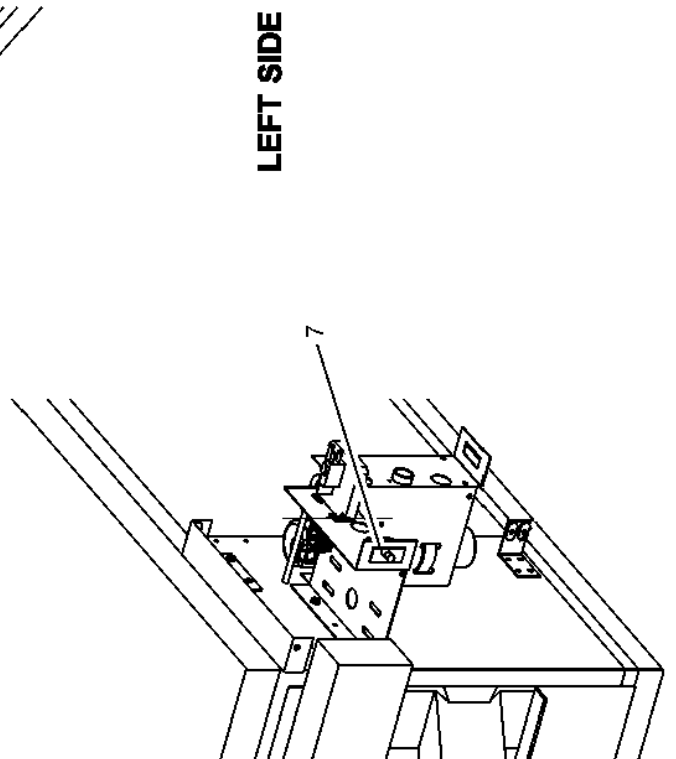
ITEM	QTY.	P/N	DESCRIPTION
1	1	44832	MACHINERY COMPARTMENT ACCESS PANEL, WITHOUT COMPONENTS
2	1	39464	LABEL, CONTROL PANEL
3	1	22500-0021	NAMEPLATE, "MIDDLEBY MARSHALL"
4	2	A6153	SCREW, HEX HD 1/4"-20 X 1/2"
5	2	97525	COOLING FAN
7	3	46521	SELECTOR SWITCH WITH KNOB
7a	A/R	46522	SELECTION SWITCH WITH KNOB - 2 CONTACTS. EARLY MODELS
8a	1	58323	KIT, CONVEYOR SPEED CONTROLLER WITH SELECTOR AND DIGITAL DISPLAY REPLACES 37337
8b	1	37503	DIGITAL DISPLAY ONLY
9	1	58504	KIT, DIGITAL TEMPERATURE CONTROLLER
10	2	28021-0047	SAFETY SWITCH, MACHINERY COMPART- MENT ACCESS PANEL

ITEM	QTY.	P/N	DESCRIPTION
11	1	33983	HIGH LIMIT CONTROL MODULE, 240V
12	1	35145	HIGH LIMIT RESET SWITCH, LIGHTED, 240V
13	1	33984	KIT, THERMOCOUPLE (33812*1) 6"
14	2	45019	CIRCUIT BREAKER, 3-POLE, 63A
15	2	44549	CONTACTOR
16	1	28041-0011	CONTACTOR 4-POLE
17	1	31504	TRANSFORMER, 230Vp:120Vs 0.2 KVA
18a	2	44914	SOLID STATE RELAY WITH COOLING FAN (208V, 230V, & 240V OVENS)
18b	2	44568	SOLID STATE RELAY WITH COOLING FAN (380V & 480V OVENS)
19	4	45037	CIRCUIT BREAKER, 15A
20	2	45036	CIRCUIT BREAKER, 3A
21	2	3102458	ASSY, COOLING FAN GRILL (INCLUDES PLAS- TIC GRILL AND FOAM FILTER)
22	2	45244	FILTER - ELECTRICAL NOISE CE ONLY

**VIEW OF REAR SIDE COMPARTMENT(S)**



**RIGHT SIDE**



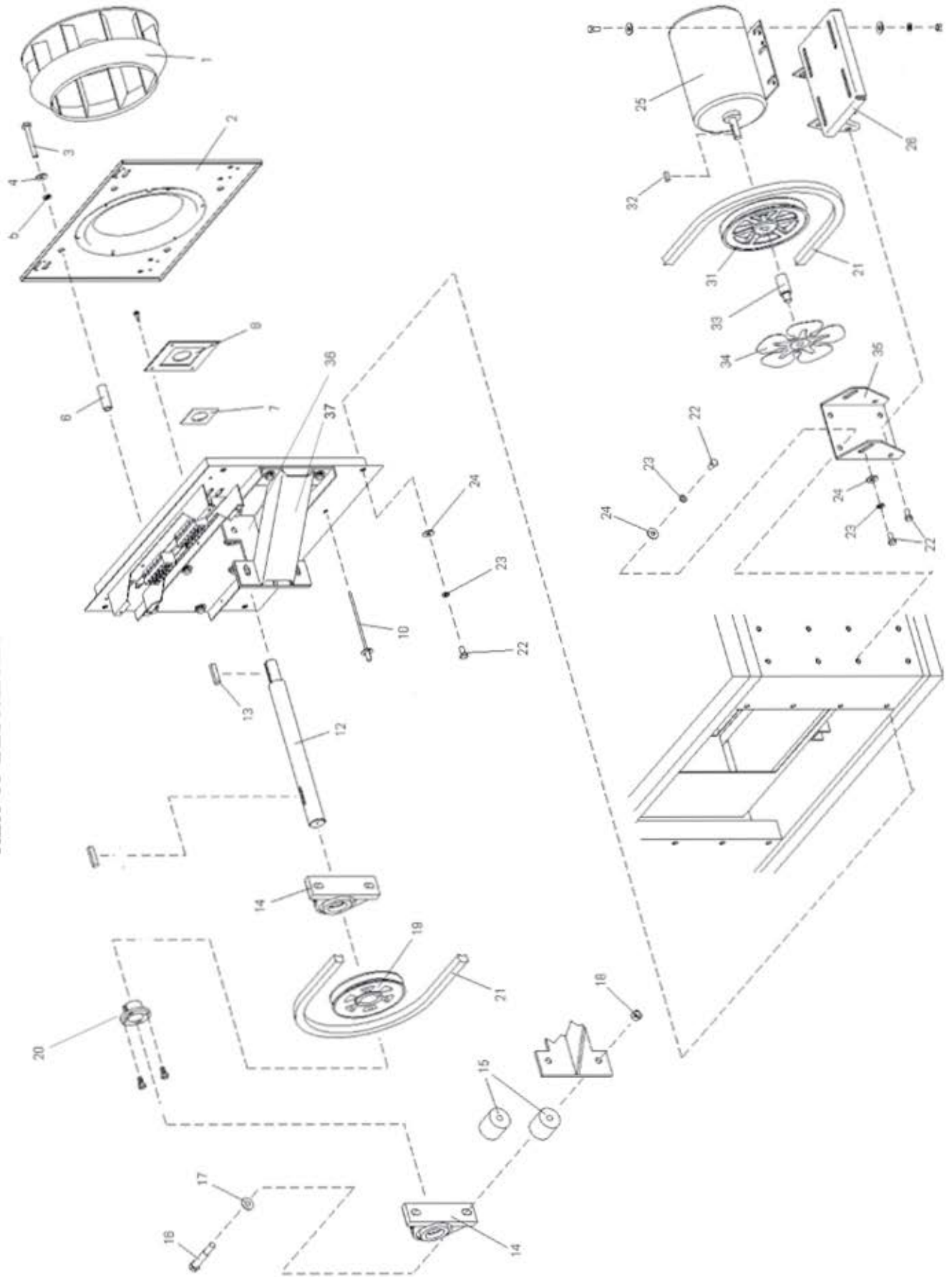
**LEFT SIDE**

**PARTS FOR REAR SIDE COMPARTMENT(S)**

<b>ITEM</b>	<b>QTY.</b>	<b>P/N</b>	<b>DESCRIPTION</b>
1	4	27480-0001	TERMINAL BLOCK, 2-POLE
2	2	31589	GROUND LUG
3	2	50610	AIR SWITCH
4	A/R	22450-0297	TUBING, SILICONE BULK 1/4"/6.4mm O.D.
5	A/R	15125-0002	TUBING, ALUMINUM BULK 1/4"/6.4mm O.D.
6	2	44390	TERMINAL BLOCK, 3-POLE
7	2	28021-0061	SAFETY SWITCH, MOMENTARY

<b>ITEM</b>	<b>QTY.</b>	<b>P/N</b>	<b>DESCRIPTION</b>
8	2	44469	ASSEMBLY, START CAPACITOR (BLACK) - INCLUDES BRACKET AND END CAP
9	2	27170-0270	CAPACITOR, RUN (SILVER)
10	2	44465	INSULATOR CAP, RUN CAPACITOR
11	4	22450-0259	HOSE CLAMP

**VIEW OF BLOWER MOTOR ASSEMBLIES**



## PARTS FOR BLOWER MOTOR ASSEMBLIES

**NOTE: The quantities shown below are for a single blower assembly.**

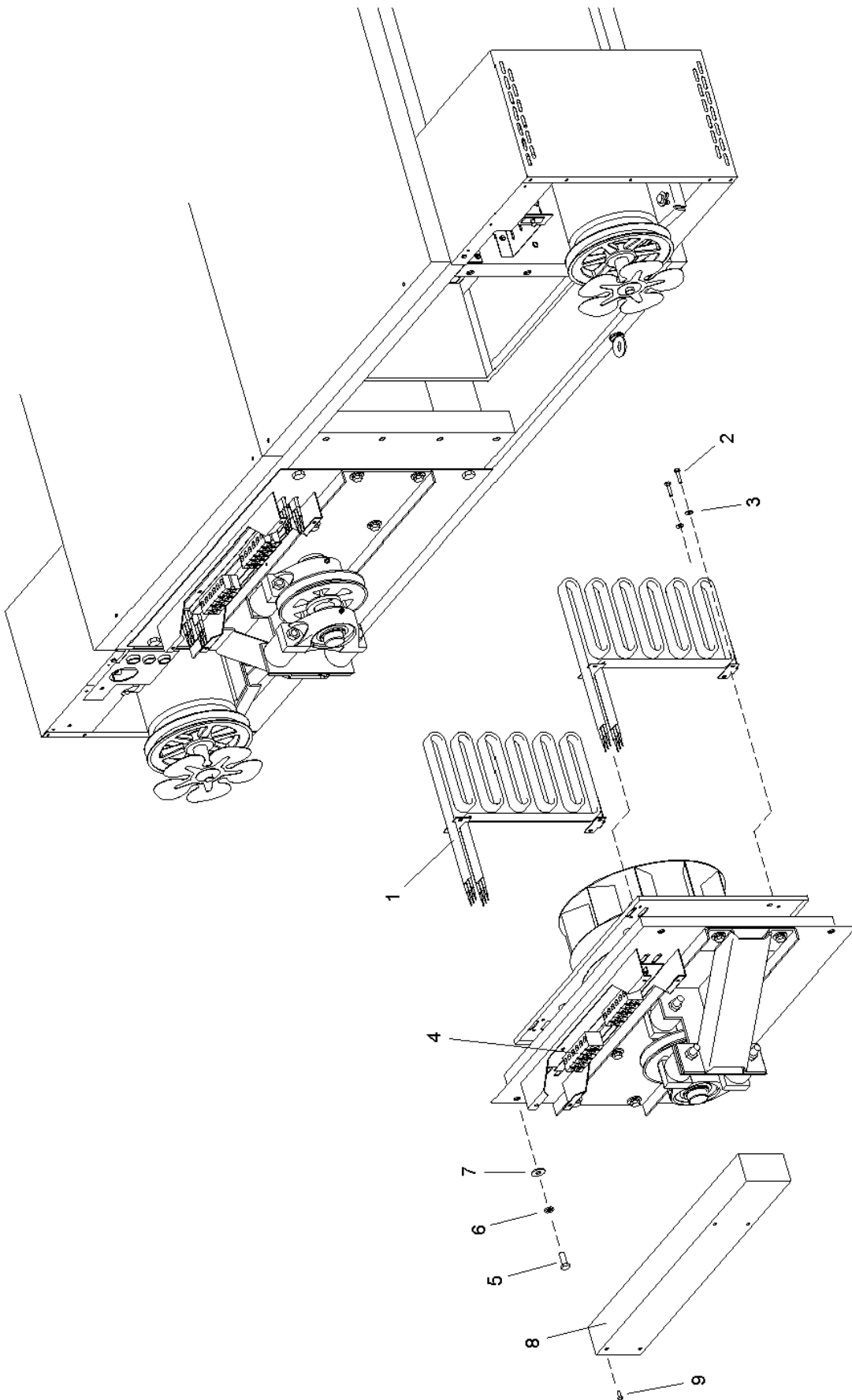
ITEM	QTY.	P/N	DESCRIPTION
1a	1	22521-0005	BLOWER WHEEL - CCW, DRIVE END
1b	1	22521-0006	BLOWER WHEEL - CW, IDLER END
2	1	44556	PLATE, INLET RING
3	4	21211-0001	SCREW, CAP HEX HD 3/8"-16 X 3"
4	4	21416-0001	FLAT WASHER, 3/8"
5	4	21422-0001	LOCKWASHER, SPLIT, 3/8"
6	4	35210-0576	SPACER
7	1	35210-0541	SHAFT SEAL, PTFE
8	1	37210-0101	PLATE, SHAFT SEAL INNER
10	3	33984	KIT, THERMOCOUPLE (33812-1)
12	1	41899	SHAFT, BLOWER
13	1	35210-0286	KEY, BLOWER WHEEL
14	2	22072-0017	BEARING
15	4	39411	SPACER, BEARING
16	4	2000535	SCREW, CAP HEX HD 1/2"-13 X 3-1/2"
17	4	3B82D8827	FLAT WASHER, 7/16"
18	4	21121-0013	HEX NUT, 1/2"-13
19	1	39587	FAN PULLEY, BK70H
20	1	22031-0018	BUSHING, SPLIT, 1-7/16" I.D.

ITEM	QTY.	P/N	DESCRIPTION
21 a	1	44946	BELT, BX 61 STANDARD (USE W/ITEM 31c BK80 PULLEY)
21 b	1	44963	BELT, BX58 (USE W/ITEM 31a BK62 PULLEY)
21 c	1	45021	BELT, BX59 (USE W/ITEM 31b BK70 PULLEY)
22	12	1513D8805	SCREW, CAP HEX HD 3/8"-16 X 3/4"
23	10	21422-0001	LOCKWASHER, SPLIT 3/8"
24	10	21416-0001	FLAT WASHER, 3/8"
25	1	27381-0069	MOTOR, BLOWER, 1 HP
26	1	41666	BRACKET, MOTOR MOUNTING
31 a	1	39586	PULLEY, BK80 STANDARD (USES BX61 BELT)
31 b	1	39910	PULLEY, BK62 (USES ITEM 21 b BX 58 BELT)
31 c	1	44977	PULLEY, BK70 (USES ITEM 21 c BX 59 BELT)
32	1	220026	KEY, PULLEY 3/16" x 3/16" X 3/4" (5x5x19mm)
33	1	43024	EXTENDER, FAN
34a	1	27399-0008	FAN BLADE, CW - 8"
34b	1	27399-0009	FAN BLADE, CCW - 8"
35	1	41667	BRACKET, MOTOR SUPPORT
36	1	41575	MOUNTING BRACKET
37	1	44550	SUPPORT BRACKET

17

	RPM KIT P/N	OVEN MODEL	HERTZ	MOTOR PULLEY	MOTOR PULLEY P/N	BELT SIZE	BELT P/N	RPM OF FAN @ 420 deg.F
STANDARD	45315	PS555G/E	60	BK80	39586	BX61	44946	2080
			50					1733
	45314	PS555	60	BK62	39910	BX58	44963	1580
		PS555		BK70	44977	BX59	45021	1780

# VIEW OF HEATING UNIT ASSEMBLIES

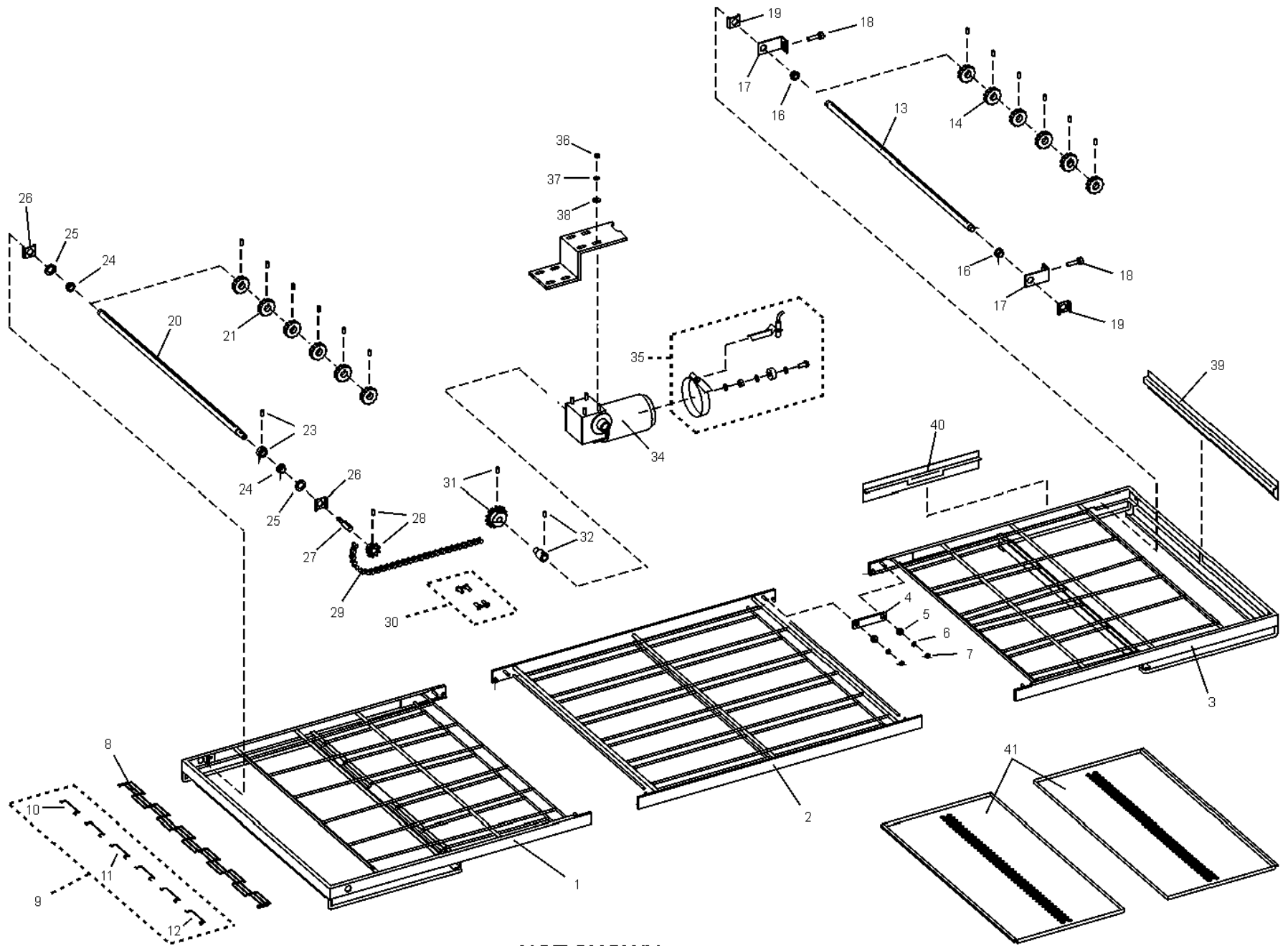


## PARTS FOR HEATING UNIT ASSEMBLIES

ITEM	QTY.	P/N	DESCRIPTION
1a	4	43337	HEATING ELEMENT, 208V
1b	4	44525	HEATING ELEMENT, 230V
1c	4	44526	HEATING ELEMENT, 380V
1d	4	44527	HEATING ELEMENT, 480V
2	16	1501D8803	FLAT WASHER, #10
3	16	4111A8815	SCREW, HEX HEAD #10-32 X 1/2"
4	4	35986	TERMINAL BLOCK, 6-POLE
5	16	1513D8805	SCREW, CAP HEX HD 3/8"-16 X 3/4"
6	16	21422-0001	LOCKWASHER, SPLIT 3/8"
7	16	21416-0001	FLAT WASHER, 3/8"
8	2	44601	COVER, WIREWAY
9	8	4111A8815	SCREW, HEX HD #10-32 X 1/2"

# VIEW OF SINGLE BELT CONVEYOR

20



NOT SHOWN:  
TOOL - ITEM 47 HEYCO PLIERS

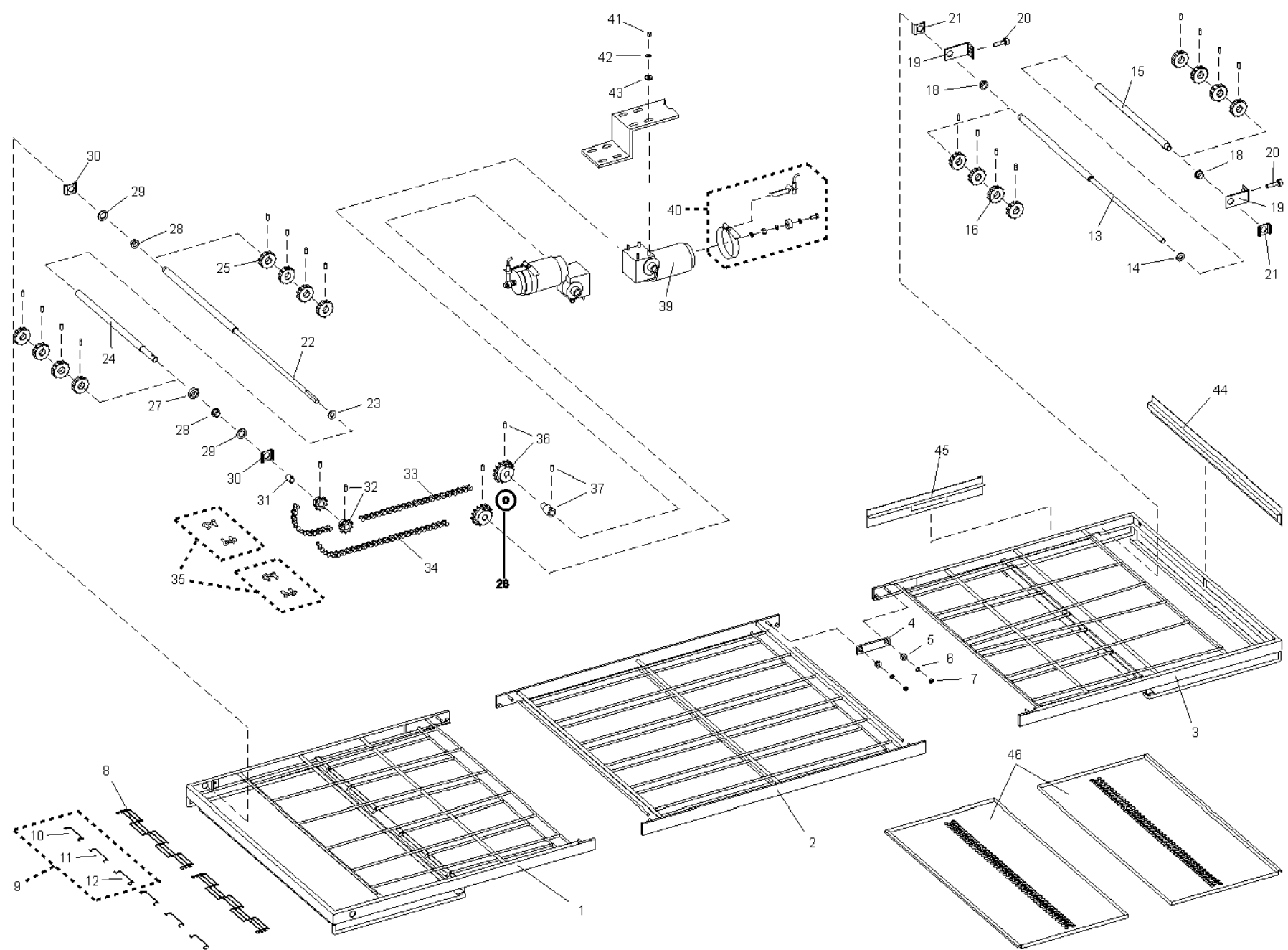
## PARTS FOR SINGLE BELT CONVEYOR

EM QTY.	P/N	DESCRIPTION
1	45106	WELDMENT, CONVEYOR DRIVE FRAME
2	37210-0046	WELDMENT, CONVEYOR CENTER FRAME
3	42518	WELDMENT, CONVEYOR IDLER FRAME
4	35210-0429	PIVOT PLATE
5	35210-0491	BUSHING, CONVEYOR ADJUSTMENT
6	F716A8805	WASHER, EXTERNAL TOOTH 1/4"
7	21176-0001	LOCKNUT, HEX 1/4"-20
a	22450-0001	CONVEYOR BELT, COMPLETE, 32"W x 174"L (0.81 X 4.42m)
b	33900-0032	CONVEYOR BELT, 32"W x 12"L (0.81 X 0.30m)
3	42400-0089	MASTER LINKS KIT, 32" (0.81m) BELT (INC. ITEMS 10-12)
0	-	MASTER LINK, LEFT
1	-	MASTER LINK, CENTER
2	-	MASTER LINK, RIGHT
3	35000-1011	SHAFT, IDLER
4	22229-0003	SPROCKET, CONVEYOR BELT
6	22034-0003	BUSHING, BRONZE 3/4" O.D. X 5/8" I.D.
7	37000-0413	BRACKET, IDLER SHAFT ADJUSTMENT
8	35000-1008	SCREW, CONVEYOR TENSION ADJUSTMENT
9	54947	BRACKET, SHAFT SUPPORT
0	35000-1012	SHAFT, DRIVE
1	22229-0003	SPROCKET, CONVEYOR BELT (INC. ITEM 22)

ITEM QTY.	P/N	DESCRIPTION
23	22011-0013	COLLAR, SHAFT, WITH SET SCREW
24	22034-0003	BUSHING, BRONZE 3/4" O.D. X 5/8" I.D.
25	35000-1080	SPACER, NYLON 1-1/4" O.D. X 3/4" I.D.
26	54947	BRACKET, SHAFT SUPPORT
27	35000-1013	ADAPTER, DRIVE SHAFT
28	22152-0017	SPROCKET, DRIVE SHAFT, 5/8" BORE, 9T, WITH SET SCREW
29	42400-0164	ASSEMBLY, ROLLER CHAIN COMPLETE (62 LINKS)
30	22273-0001	MASTER LINK, ROLLER CHAIN
31	22152-0018	SPROCKET, DRIVE MOTOR, 5/8" BORE, 15T, WITH SET SCREW
32	35210-0640	ADAPTER, DRIVE MOTOR, WITH SET SCREW
34a	47796	DRIVE MOTOR, 1/8 HP, 1400:1 (STANDARD)
34b	51059	DRIVE MOTOR 600:1 (HIGH SPEED)
-	45017	BRUSHES, DRIVE MOTOR
35	50265	ASSEMBLY, PICKUP, DRIVE MOTOR
36	21411-0003	FLAT WASHER, 1/4"
37	21426-0002	LOCKWASHER, 1/4"
38	21126-0009	HEX NUT, 1/4"-20
39	55027	END STOP, CONVEYOR
40	55028	REAR STOP, CONVEYOR
41	44811	CRUMB PAN
42	50795	TOOL - HEYCO PLIERS REMOVES STRAIN RELIEF ON PICK-UP

# VIEW OF 50/50 SPLIT BELT CONVEYOR

22



NOT SHOWN  
TOOL - ITEM 47 HEYCO PLIERS

## PARTS FOR 50/50 SPLIT BELT CONVEYOR

<b>IQTY.</b>	<b>P/N</b>	<b>DESCRIPTION</b>
1	45106	WELDMENT, CONVEYOR DRIVE FRAME
1	37210-0046	WELDMENT, CONVEYOR CENTER FRAME
1	42518	WELDMENT, CONVEYOR IDLER FRAME
4	35210-0429	PIVOT PLATE
8	35210-0491	BUSHING, CONVEYOR ADJUSTMENT
8	F716A8805	WASHER, EXTERNAL TOOTH 1/4"
8	21176-0001	LOCKNUT, HEX 1/4"-20
2	22450-0094	CONVEYOR BELT, COMPLETE, 15"W x 174"L (0.38 X 4.42m)
--	33900-0037	CONVEYOR BELT, 15"W x 12"L (0.38 X 0.30m)
2	NOT AVAILABLE	MASTER LINKS KIT, 15" (0.38m) BELT (INC. ITEMS 10-12)
1	--	MASTER LINK, LEFT
1	--	MASTER LINK, CENTER
1	--	MASTER LINK, RIGHT
1	42400-0354	SHAFT, IDLER, REAR
1	21415-0001	FLAT WASHER, BRONZE, 1" O.D. X 1/2" I.D.
1	35000-1535	SHAFT, IDLER, FRONT - 16-3/8" LONG
8	22229-0003	SPROCKET, CONVEYOR BELT (INC. ITEM 17)
2	22034-0003	BUSHING, BRONZE 3/4" O.D. X 5/8" I.D.
2	37000-0413	BRACKET, IDLER SHAFT ADJUSTMENT
2	35000-1008	SCREW, CONVEYOR TENSION ADJUSTMENT
2	54947	BRACKET, SHAFT SUPPORT
1	42400-0355	SHAFT, DRIVE, REAR - 35.31" LONG
1	21415-0001	FLAT WASHER, BRONZE, 1" O.D. X 1/2" I.D.

<b>ITEM</b>	<b>QTY.</b>	<b>P/N</b>	<b>DESCRIPTION</b>
24	1	35000-1536	SHAFT, DRIVE, FRONT
25	8	22229-0003	SPROCKET, CONVEYOR BELT (INC. ITEM 26)
27	1	22011-0014	COLLAR, SPLIT LOCKING
28	2	22034-0003	BUSHING, BRONZE 3/4" O.D. X 5/8" I.D.
29	2	35000-1080	SPACER, NYLON 1-1/4" O.D. X 3/4" I.D.
30	2	54947	BRACKET, SHAFT SUPPORT
31	1	35900-0023	BUSHING, SPLIT BELT DRIVE SPROCKET
32	2	22152-0017	SPROCKET, DRIVE SHAFT, 5/8" BORE, 9T, WITH SET SCREW
33	1	42400-0164	ASSEMBLY, ROLLER CHAIN COMPLETE (62 LINKS)
34	1	42410-0128	ASSEMBLY, ROLLER CHAIN COMPLETE (48 LINKS)
35	2	22273-0001	MASTER LINK, ROLLER CHAIN
36	2	22152-0018	SPROCKET, DRIVE MOTOR, 5/8" BORE, 15T, WITH SET SCREW
37	1	35210-0640	ADAPTER, DRIVE MOTOR, WITH SET SCREW
39a	1	47796	DRIVE MOTOR, 1/8 HP, 1400:1 (STANDARD)
39b	1	51059	DRIVE MOTOR 600:1 (HIGH SPEED)
--	1	45017	BRUSHES, DRIVE MOTOR
40	1	50265	ASSEMBLY, PICKUP, DRIVE MOTOR
41	8	21411-0003	FLAT WASHER, 1/4"
42	8	21426-0002	LOCKWASHER, 1/4"
43	8	21126-0009	HEX NUT, 1/4"-20
44	1	35000-1103	END STOP, CONVEYOR
45	1	35900-0148	REAR STOP, CONVEYOR
46	2	44811	CRUMB PAN
47	1	50795	TOOL -HEYCO PLIERS REMOVES STRAIN RELIEF ON PICK-UP

E	A	A	X	C	A	E					
---	---	---	---	---	---	---	--	--	--	--	--



		B	X	B							
--	--	---	---	---	--	--	--	--	--	--	--

**Notes**

RT TO LT IS MIRROR IMAGE OF ABOVE  
 BELT NO: BX61 P/N 44946  
 PULLEY NO.: BK80X5/8" P/N39586  
 FAN RPM: 2000 RPM @ 60HZ  
 AVG T/C @ OUTER LOCATIONS

- A = 39224 WLDMT,PLT OTR S/L3 W/RASD MANF  
35000-1366 PLATE,INNER/COL ALUZ  
45083 ASSY,RAISED MANF W/PERF BAFFLE
- B = 41800 WLDMT,PLT OTR L20 W/16 ROWS  
39323 PLATE,INNER/COL ALUZ L20  
41442 ASSY,MANIF W/PERF BAFF ALUZ
- C = 35210-0536 PLATE,FULL BLANK ALUZ

D =


E = 35512 PLATE,BLNK HALF 4.13 UPR

F =

G =

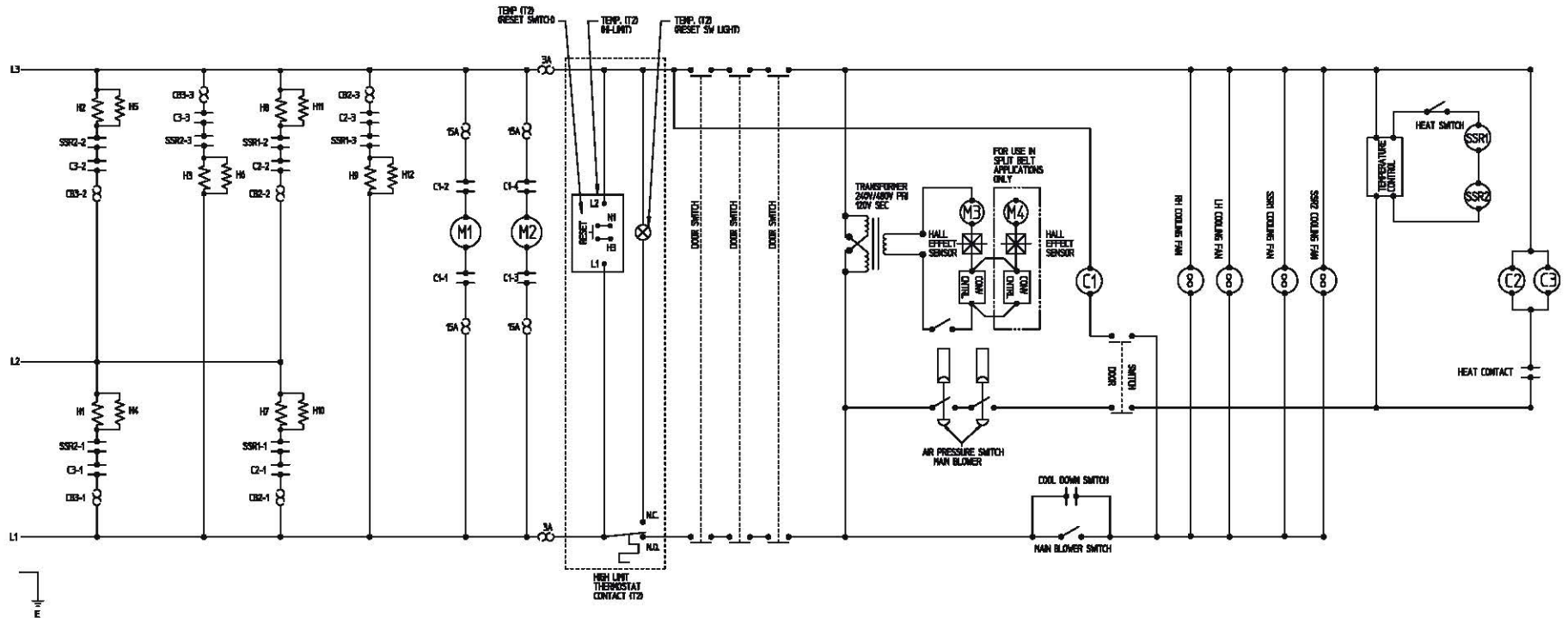

C	4/3/2003	POS "A" WAS 37900-0050 & 42410-0199	AJ
		POS "C" WAS 42954, POS "D" WAS 35210-0535,	
		TOP ROW WAS E,D,A,C,X,C,A,D,E ECN 003139	
B	5/30/2001	RELEASE TO PRODUCTION ECN 001325	AJ
<b>Rev</b>	<b>Date</b>	<b>Description</b>	<b>By</b>

<b>Description</b>	
CONFIG,FINGER PS555 STD	
<b>P/N</b>	<b>Rev</b>
45833	C



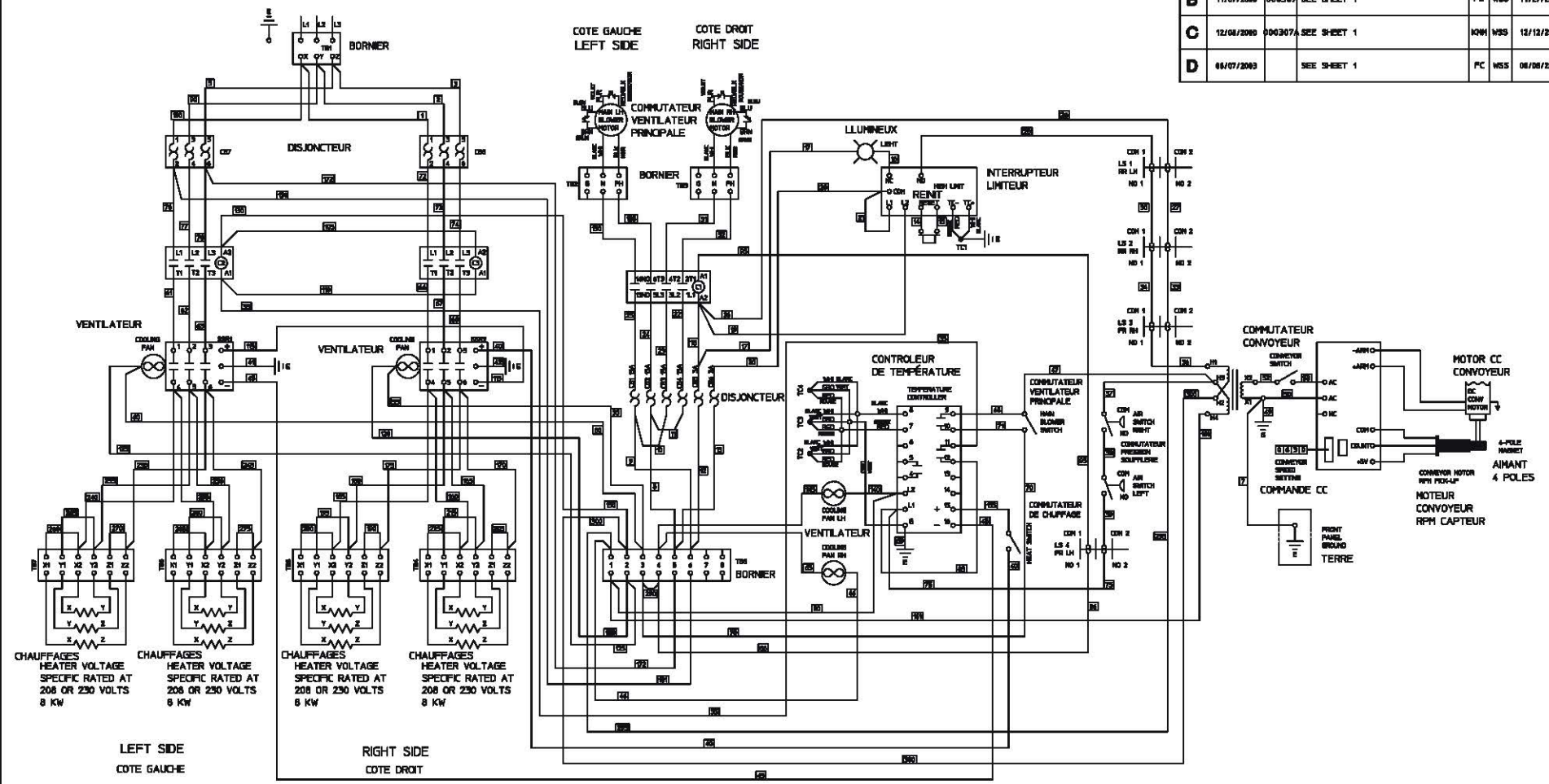
**Middleby Marshall**  
CONVEYORS OF EXCELLENCE

REV	DATE	BY	DESCRIPTION	CHK	DATE	
B	11/07/2000	000307	RELEASED FOR PRODUCTION	FC	WSS	11/27/2000
C	12/04/2000	000307	ADDED FRENCH LANGUAGE TO SHEET 2	KWH	WSS	12/12/2000
D	08/07/2003	003312	REPOSITIONED SSR'S, HEAT SWITCH & AIR SWITCHES	FC	WSS	08/08/2003



MATERIAL	Gauge:	TOLERANCE UNLESS SPECIFIED	THIS DRAWING IS CONFIDENTIAL AND PROPERTY OF <b>THE MIDDLEBY CORPORATION</b> 1400 Taelmeyer Drive Elgin, Illinois 60120 847-741-3300		
FINISH		ANGLES ± 1.0° DEC .X ± 0.030 .XX ± 0.015 .XXX ± 0.005			
DRAWN KWH	09/11/2000	CHECKED WSS	08/08/2003	APPROVED WSS	08/08/2003
<b>WD, E208-240/60/3 3WIRE PS555</b>					
ALL DIMENSIONS ARE IN INCHES UNLESS OTHERWISE SPECIFIED. DD NOT SCALE DRAWING		PART NO <b>44553</b>	SHT 1 OF 2	REV <b>D</b>	

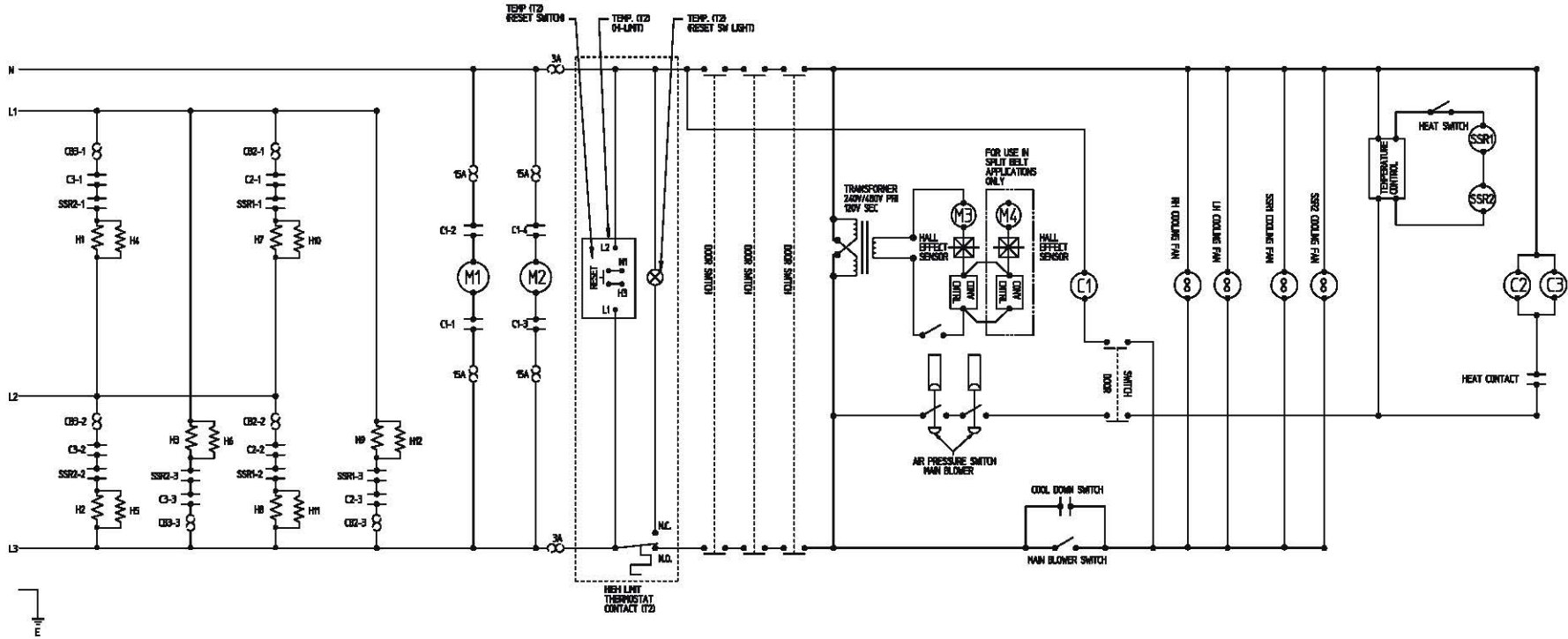
REV	DATE	BY	REVISION DESCRIPTION	BY	DATE	
B	11/07/2000	000307	SEE SHEET 1	FC	MSS	11/27/2000
C	12/04/2000	000307	SEE SHEET 1	KWM	MSS	12/12/2000
D	04/07/2003		SEE SHEET 1	FC	MSS	06/08/2003



VOLTAGE	TOTAL WATTAGE (KW)	PHASE	AMPÈRES		
			X	Y	Z
208	34.04	3	97.4	88.8	97.4
240	37.04	3	93.0	83.8	93.0

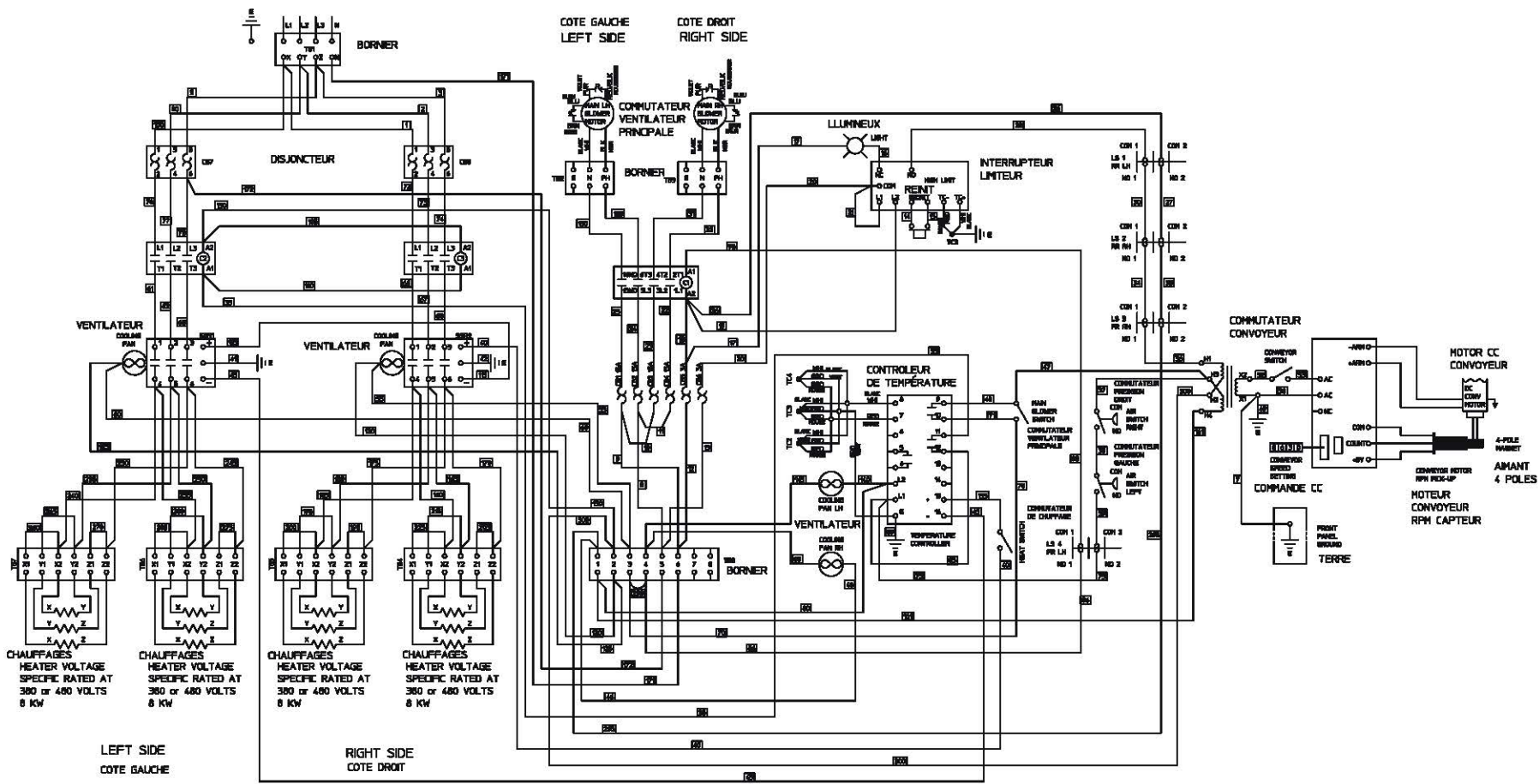
MATERIAL	GAUGE	TOLERANCE UNLESS SPECIFIED	THIS DRAWING IS CONFIDENTIAL AND PROPERTY OF <b>THE MIDDLEBY CORPORATION</b> 1400 Toolemaster Drive Elgin, Illinois 60120 847-741-3300
FINISH		ANGLES ± 1.0° DEC .X ± 0.30 .XX ± 0.15 .XXX ± 0.05	
DRAWN RWH	CHECKED MSS	APPROVED MSS	
09/11/2000 08/08/2003 06/08/2003			
<b>WD, E208-240/80/3 3WIRE PS555</b>			
ALL DIMENSIONS ARE IN INCHES UNLESS OTHERWISE SPECIFIED. DO NOT SCALE DRAWING.		PART NO	SHT 2 OF 2
		<b>44553</b>	REV D

REV	DATE	SON	REVISION DESCRIPTION	BY	CHK	DATE
C	12/08/2000	003074	ADDED FRENCH LANGUAGE TO SHEET	KCH	MSB	12/13/2000
D	08/07/2003	003312	REPOSITIONED SSR'S, HEAT SWITCH & AIR SWITCHES	PC	MSB	08/08/2003
E	09/22/2004	004323	NO CHS REV'D TO MATCH LABEL	ATH	MSB	09/23/2004



MATERIAL	Gauge:	TOLERANCE UNLESS SPECIFIED	THIS DRAWING IS CONFIDENTIAL AND PROPERTY OF <b>THE MIDDLEBURY CORPORATION</b> 1400 Toddmeester Dr lva Elgin, Illinois 60120 847-741-3300		
FINISH		ANGLES ± 1.0° DEC .X ± .030 .XX ± .015 .XXX ± .005			
DRAWN PC	10/30/2000	CHECKED MSB	09/23/2004	APPROVED MSB	09/23/2004
<b>WD, E380-480/60/3 4WIRE P6555</b>					
ALL DIMENSIONS ARE IN INCHES UNLESS OTHERWISE SPECIFIED. DO NOT SCALE DRAWING.		PART NO <b>44981</b>	SHT 1 OF 2	REV <b>E</b>	

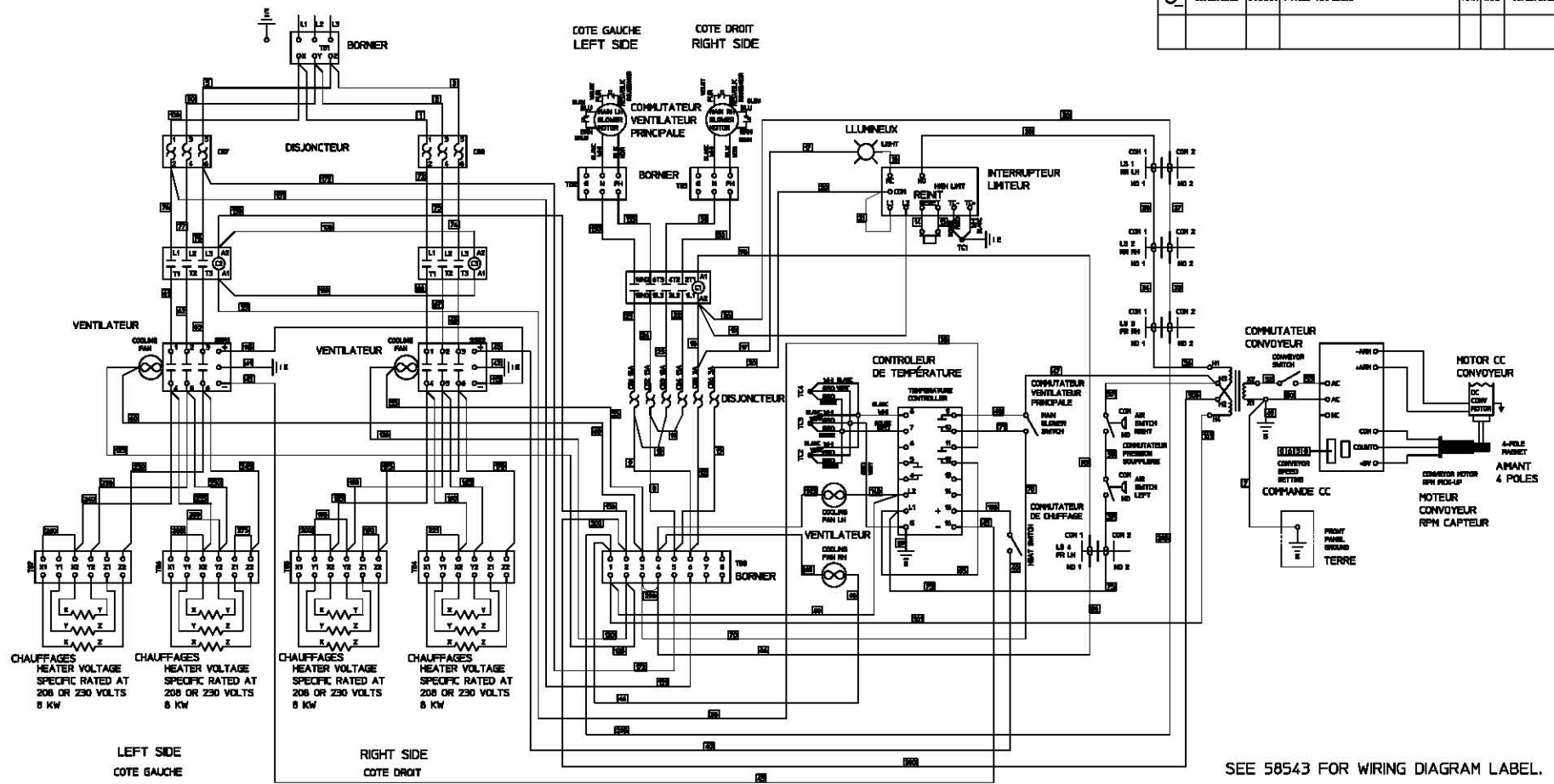
28



VOLTAGE	TOTAL WATTAGE (KW)	PHASE	AMPÈRES			
			X	Y	Z	N
380	34.2	3	48.6	48.6	57.8	9.2
480	34.2	3	38.5	38.5	47.7	9.2

TOLERANCE UNLESS SPECIFIED ANGLES ± 1.0° DEC .X ± 0.030 .XXX ± 0.015 .XXX ± 0.005	DRAWN FC 10/30/2000 CHECKED WSS 09/23/2004 APPROVED WSS 09/23/2004	THIS DRAWING IS CONFIDENTIAL AND PROPERTY OF <b>THE MIDDLEBY CORPORATION</b> 1400 Tammameter Drive Elgin, Illinois 60120 847-741-3300	
		<b>WD, E380-480/60/3 4WIRE PS555</b>	
		ALL DIMENSIONS ARE IN INCHES UNLESS OTHERWISE SPECIFIED. DO NOT SCALE DRAWING.	PART NO <b>44981</b>

REV	DATE	EON	REVISION DESCRIPTION	BY	CHK	DATE
B	06/02/2005	005279	RELEASED TO PRODUCTION	JOHN	MS	06/23/2005
C	06/23/2005	005306	FIXED APPOINT	JOHN	MS	06/23/2005

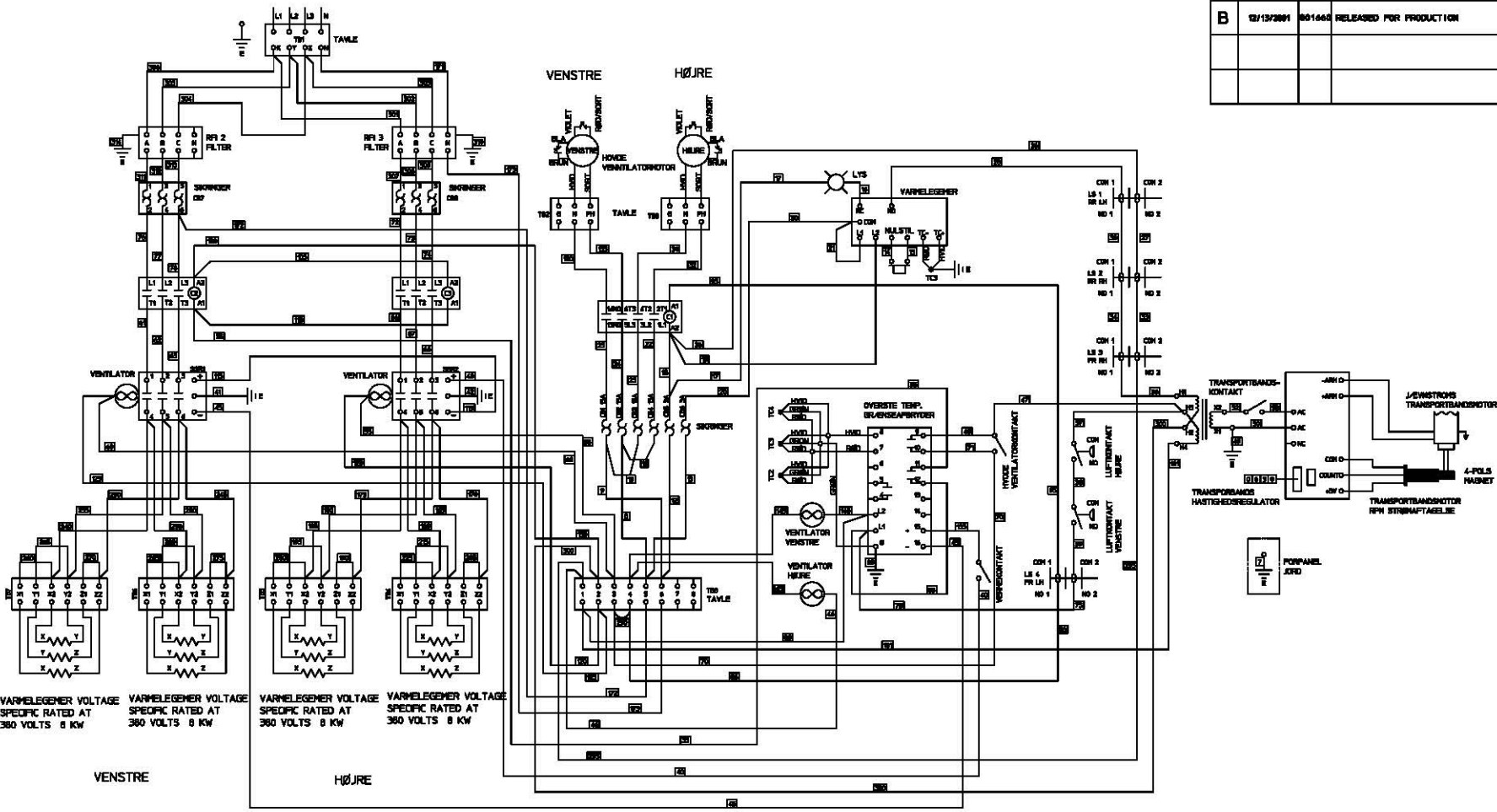


SEE 58543 FOR WIRING DIAGRAM LABEL.

MATERIAL	GAUGE	TOLERANCE UNLESS SPECIFIED	THIS DRAWING IS CONFIDENTIAL AND PROPERTY OF <b>THE MIDDLEBY CORPORATION</b> 1400 Toolmaster Drive Eggen, Illinois 60120 647-741-3300
FINISH		ANGLES ± 1.0° DEC .X ± .030 .XK ± .015 .XKK ± .005	
DRAWN	CHECKED	APPROVED	
001	MS	MS	06/23/2005
WD, E 208-240/60/3W 26KW PS555			
ALL DIMENSIONS ARE IN INCHES UNLESS OTHERWISE SPECIFIED. DO NOT SCALE DRAWING.		PART NO	SHT
		58542	1 OF 1
			REV C

VOLTAGE	TOTAL WATTAGE (KW)	PHASE	AMPERES		
			X	Y	Z
208	26.6	3	88.82	67.84	67.84
240	27.6	3	83.82	64.02	64.02

REV	DATE	EON	REVISION DESCRIPTION	BY	CHK	DATE
B	12/13/2001	001664	RELEASED FOR PRODUCTION	SPW	MS	12/28/2001



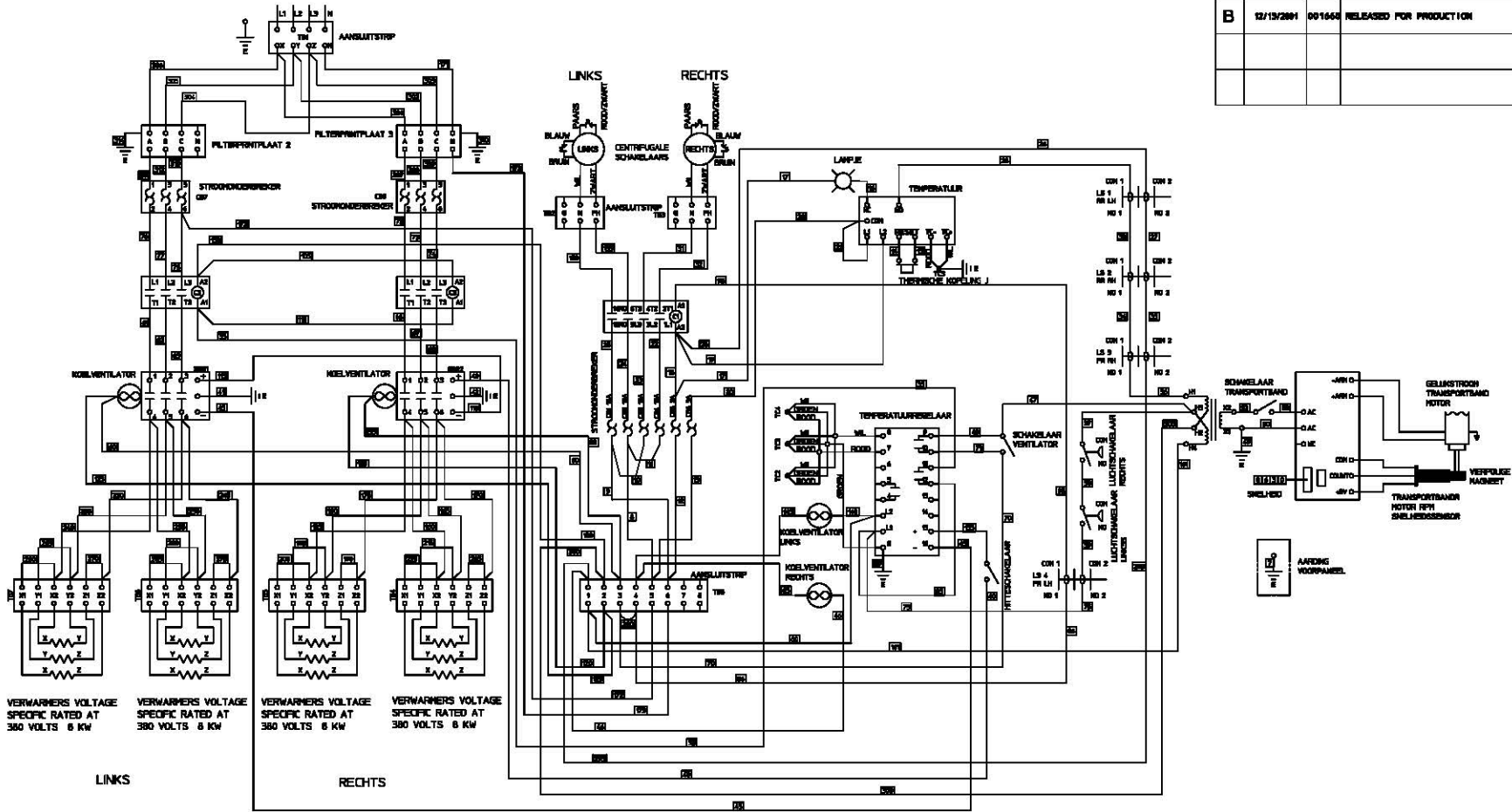
VARMELEGER VOLTAGE SPECIFIC RATED AT 380 VOLTS 8 KW  
 VARMELEGER VOLTAGE SPECIFIC RATED AT 380 VOLTS 8 KW  
 VARMELEGER VOLTAGE SPECIFIC RATED AT 380 VOLTS 8 KW  
 VARMELEGER VOLTAGE SPECIFIC RATED AT 380 VOLTS 8 KW

VOLTAGE	TOTAL WATTAGE (KW)	PHASE	TOTAL AMPERAGE PER LINE			
			X	Y	Z	N
380	34.2	3	48.6	48.6	57.0	9.2

MD LABEL P/N 47298

MATERIAL	GAUGE	TOLERANCE UNLESS SPECIFIED	THIS DRAWING IS CONFIDENTIAL AND PROPERTY OF <b>THE MIDDLEBY CORPORATION</b> 1400 Towermaster Drive Elgin, Illinois 60120 847-741-3300
FINISH		ANGLES ± 0.04" DEC .X ± 0.030 .XII ± 0.015 .XXX ± 0.005	
DRAWN	CHECKED	APPROVED	
SPW	MS	MS	
<b>WD, E380 / 50 / 3 4W CE PS555 DN</b>			
ALL DIMENSIONS ARE IN INCHES UNLESS OTHERWISE SPECIFIED. DO NOT SCALE DRAWING.		PART NO	SHT
		<b>4 7 2 9 8</b>	1 OF 1
			<b>B</b>

REV	DATE	EDN	REVISION DESCRIPTION	BY	CHK	DATE
B	12/15/2001	001664	RELEASED FOR PRODUCTION	NOV	MSB	12/28/2001



VERWARMERS VOLTAGE SPECIFIC RATED AT 380 VOLTS 6 KW

VERWARMERS VOLTAGE SPECIFIC RATED AT 380 VOLTS 6 KW

VERWARMERS VOLTAGE SPECIFIC RATED AT 380 VOLTS 6 KW

VERWARMERS VOLTAGE SPECIFIC RATED AT 380 VOLTS 6 KW

LINKS

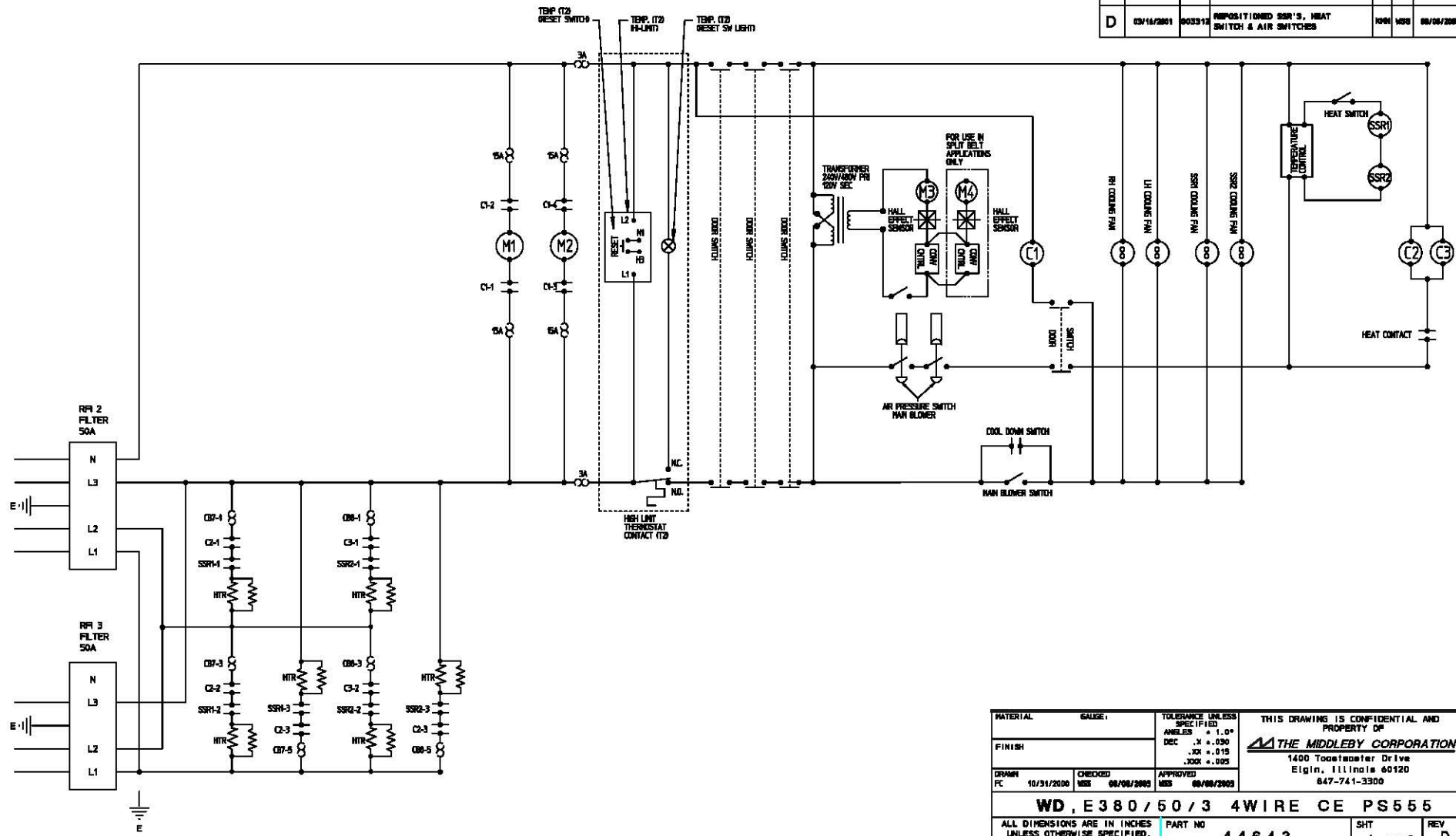
RECHTS

MO LABEL PAN 47301

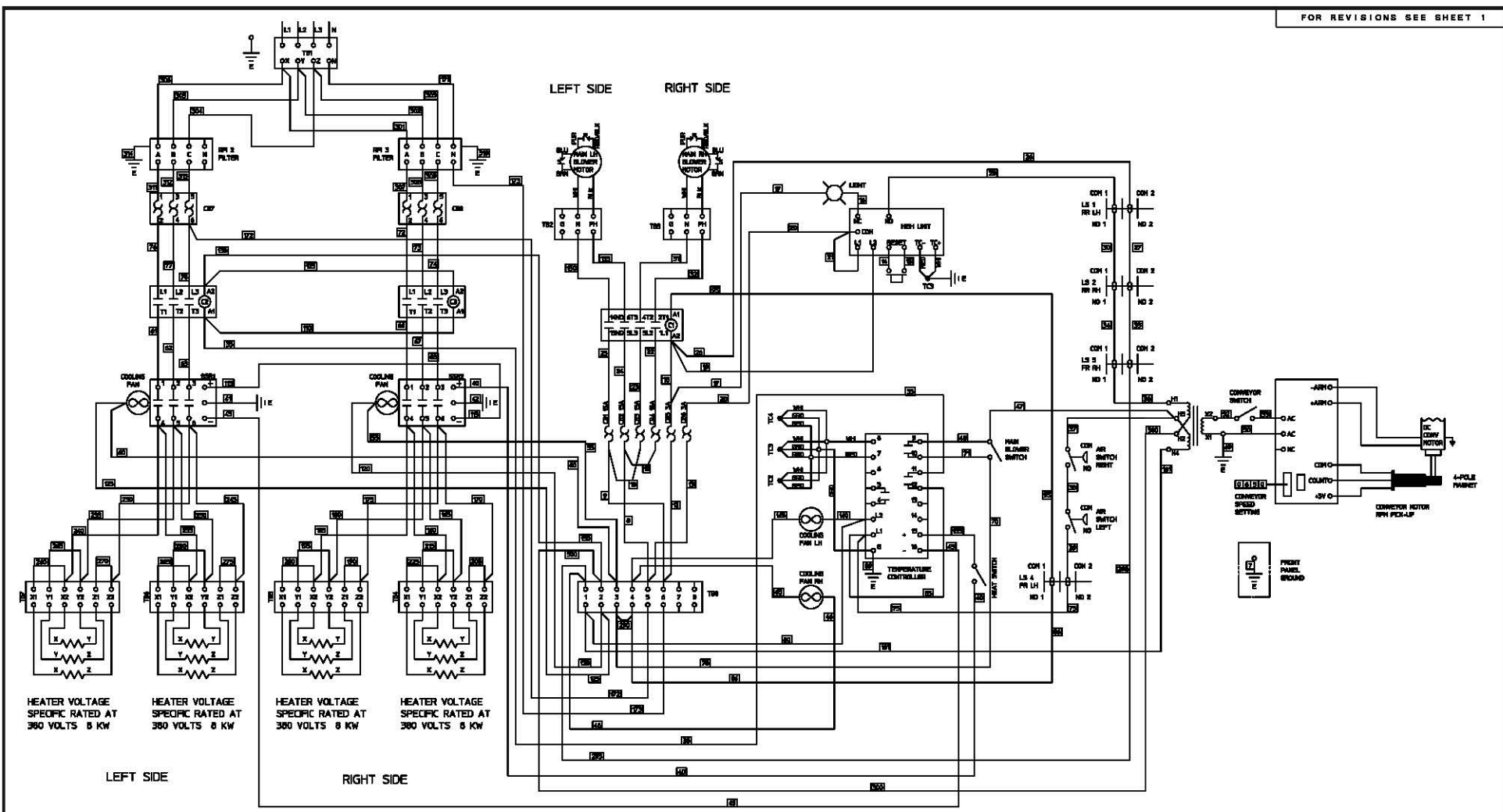
VOLTAGE	TOTAL WATTAGE (KW)	PHASE	TOTAL AMPERAGE PER LINE			
			X	Y	Z	N
380	34.2	3	48.6	48.6	57.8	9.2

MATERIAL	GAUGE:	TOLERANCE UNLESS SPECIFIED ANGLES ± 1.0° DEC .X ± 0.030 .30X ± 0.015 .300X ± 0.060	THIS DRAWING IS CONFIDENTIAL AND PROPERTY OF <b>THE MIDDLEBY CORPORATION</b> 1400 Toppelmaster Drive Elgin, Illinois 60120 847-741-3300
FINISH			
DRAWN 12/13/2001	CHECKED MSB 12/28/2001	APPROVED MSB 12/28/2001	
WD, E380/50/3 4W CE PS555 DUT			
ALL DIMENSIONS ARE IN INCHES UNLESS OTHERWISE SPECIFIED. DO NOT SCALE DRAWING		PART NO 47300	SHT 1 OF 1
			REV B

REV	DATE	ECN	REVISION DESCRIPTION	BY	CHK	DATE
B	11/07/2000	004307	RELEASED FOR PRODUCTION	FC	MSS	11/27/2000
C	01/12/2001	001012	ADDED RP1-2 & RP1-3 FILTERS, REMOVED RP1-1 FILTER	FC	MSS	02/23/2001
D	03/16/2001	003312	REPOSITIONED SSR'S, HEAT SWITCH & AIR SWITCHES	KOH	MSS	06/06/2003



MATERIAL	GAGE1	TOLERANCE UNLESS SPECIFIED	THIS DRAWING IS CONFIDENTIAL AND PROPERTY OF <b>THE MIDDLEBY CORPORATION</b> 1400 Touwmeester Drive Elgin, Illinois 60120 847-741-3300
FINISH		ANGLES 1.0° DEC .2 ± .030 .3X ± .015 .300 ± .005	
DRAWN FC 10/31/2000	CHECKED MSS 08/08/2003	APPROVED MSS 08/08/2003	
<b>WD, E380/50/3 4WIRE CE PS555</b>			
ALL DIMENSIONS ARE IN INCHES UNLESS OTHERWISE SPECIFIED. DO NOT SCALE DRAWING.		PART NO <b>44643</b>	SHT 1 OF 2 REV D



HEATER VOLTAGE SPECIFIC RATED AT 380 VOLTS 8 KW  
 HEATER VOLTAGE SPECIFIC RATED AT 380 VOLTS 8 KW  
 HEATER VOLTAGE SPECIFIC RATED AT 380 VOLTS 8 KW  
 HEATER VOLTAGE SPECIFIC RATED AT 380 VOLTS 8 KW

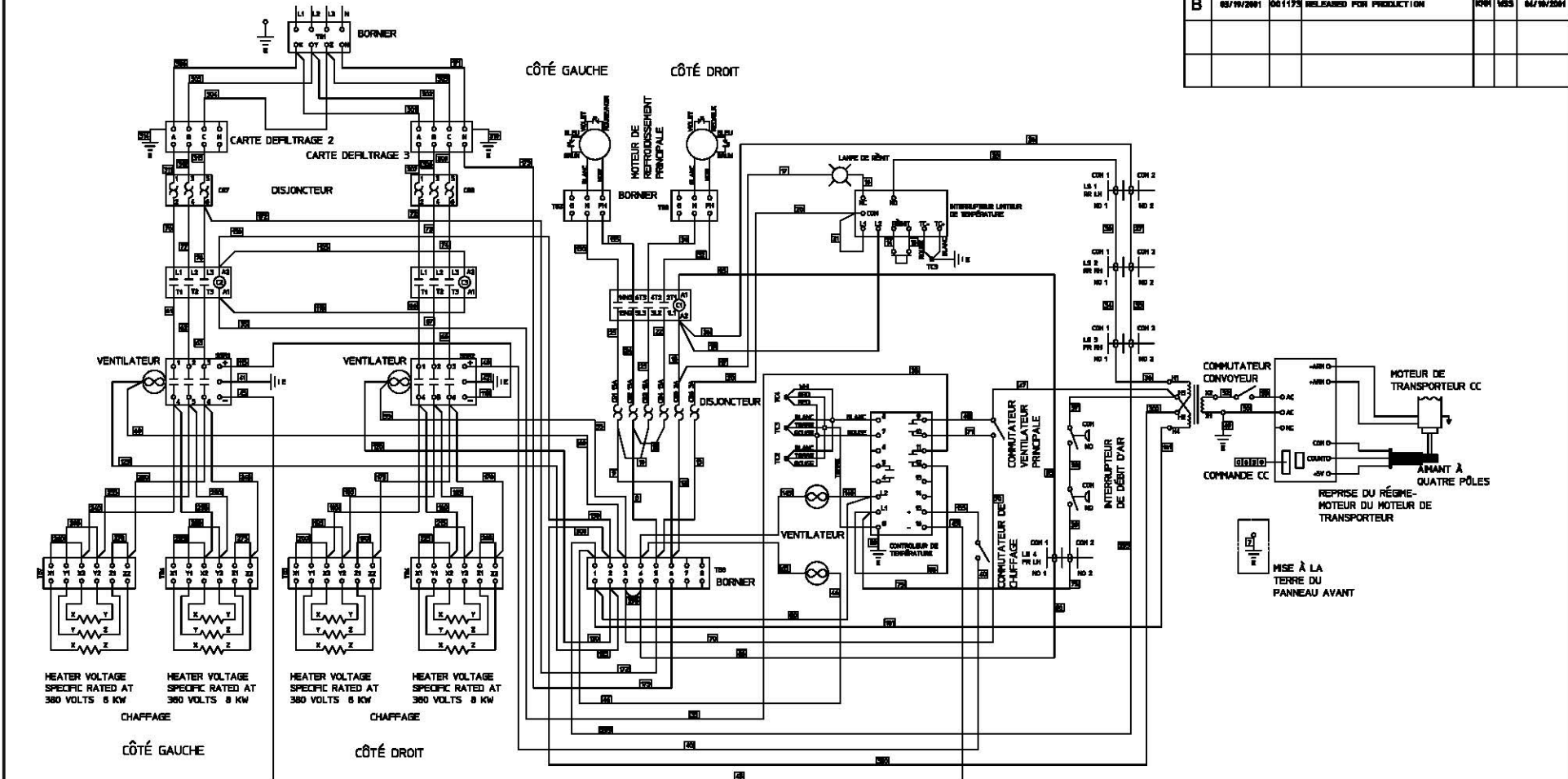
LEFT SIDE  
 RIGHT SIDE

33

VOLTAGE	TOTAL WATTAGE (KW)	PHASE	TOTAL AMPERAGE PER LINE			
			X	Y	Z	N
380	34.2	3	48.6	48.6	57.8	9.2

TOLERANCE UNLESS SPECIFIED	DRAWN PC 10/31/2000	THIS DRAWING IS CONFIDENTIAL AND PROPERTY OF <b>THE MIDDLEBY CORPORATION</b> 1400 Tootlemaier Drive Elgin, Illinois 60120 847-741-3300
ANGLES ± 1.0°	CHECKED MSS 06/08/2003	
DEC .X ± .030	APPROVED MSS 06/08/2003	
.XX ± .015 .XXX ± .005		
<b>WD, E380/50/3 4WIRE CE PS555</b>		
ALL DIMENSIONS ARE IN INCHES UNLESS OTHERWISE SPECIFIED. DO NOT SCALE DRAWING.	PART NO <b>44643</b>	SMT 2 OF 2 REV <b>D</b>

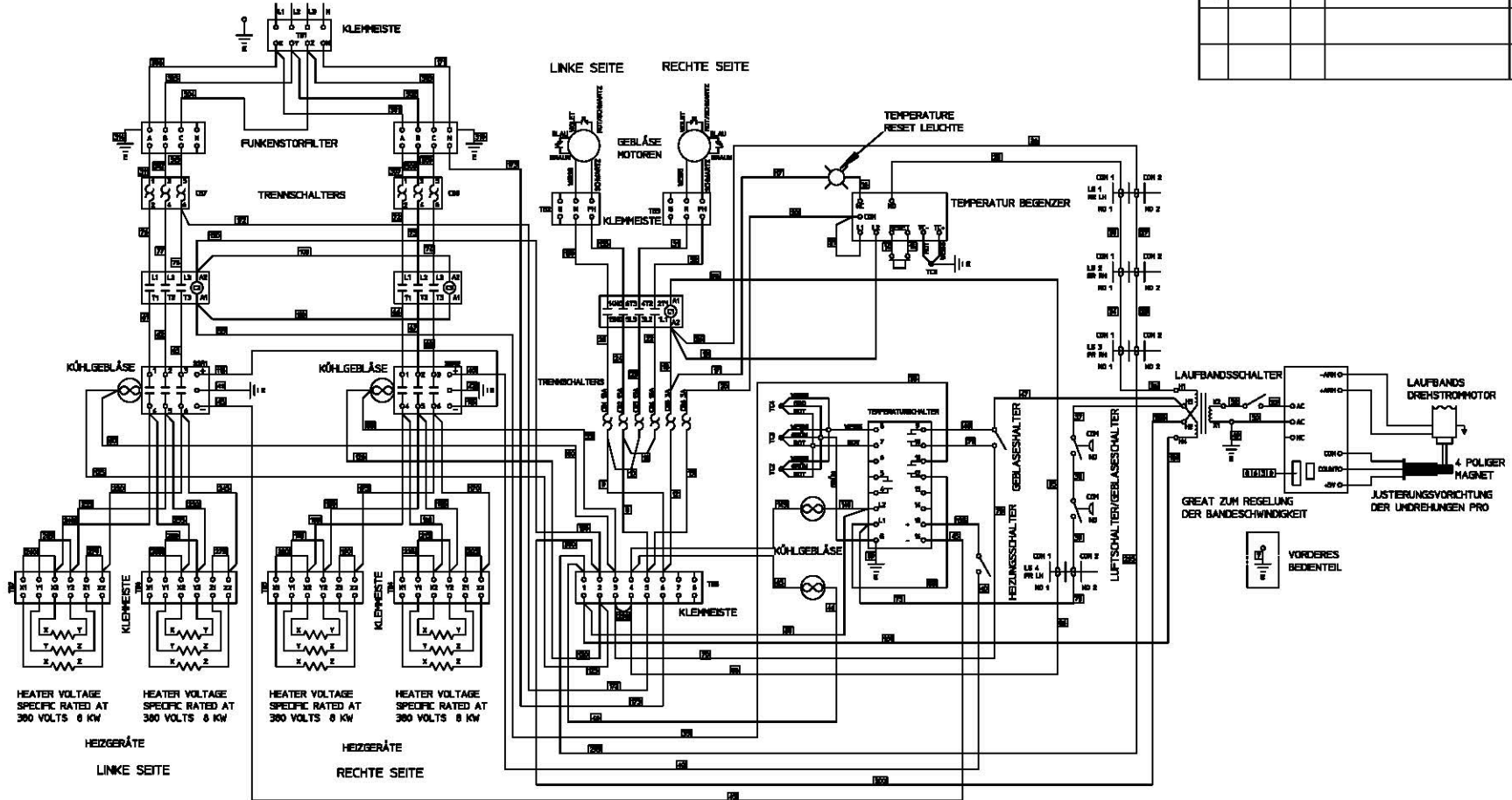
REV	DATE	EDN	REVISION DESCRIPTION	BY	CHK	DATE
B	03/19/2001	001175	RELEASED FOR PRODUCTION	KWH	MS3	04/10/2001



VOLTAGE	TOTAL WATTAGE (KW)	PHASE	TOTAL AMPERAGE PER LINE			
			X	Y	Z	N
380	34.2	3	48.6	48.6	57.8	9.2

MATERIAL	GAUGE:	TOLERANCE UNLESS SPECIFIED	THIS DRAWING IS CONFIDENTIAL AND PROPERTY OF <b>THE MIDDLEBY CORPORATION</b> 1400 Touzemer Drive Elgin, Illinois 60120 847-741-3300
FINISH		ANILES ± 1.0° .X ± .030 .XX ± .015 .XXX ± .005	
DRAWN KWH	CHECKED MS3	APPROVED MS3	
WD, E380 / 50 / 3 / 4W CE 555 FR			
ALL DIMENSIONS ARE IN INCHES UNLESS OTHERWISE SPECIFIED. DO NOT SCALE DRAWING.		PART NO	REV
		45507	1 OF 1

REV	DATE	EDN	REVISION DESCRIPTION	BY	CHK	DATE
B	03/19/2001	001193	RELEASED FOR PRODUCTION	KWR	NSS	04/10/2001



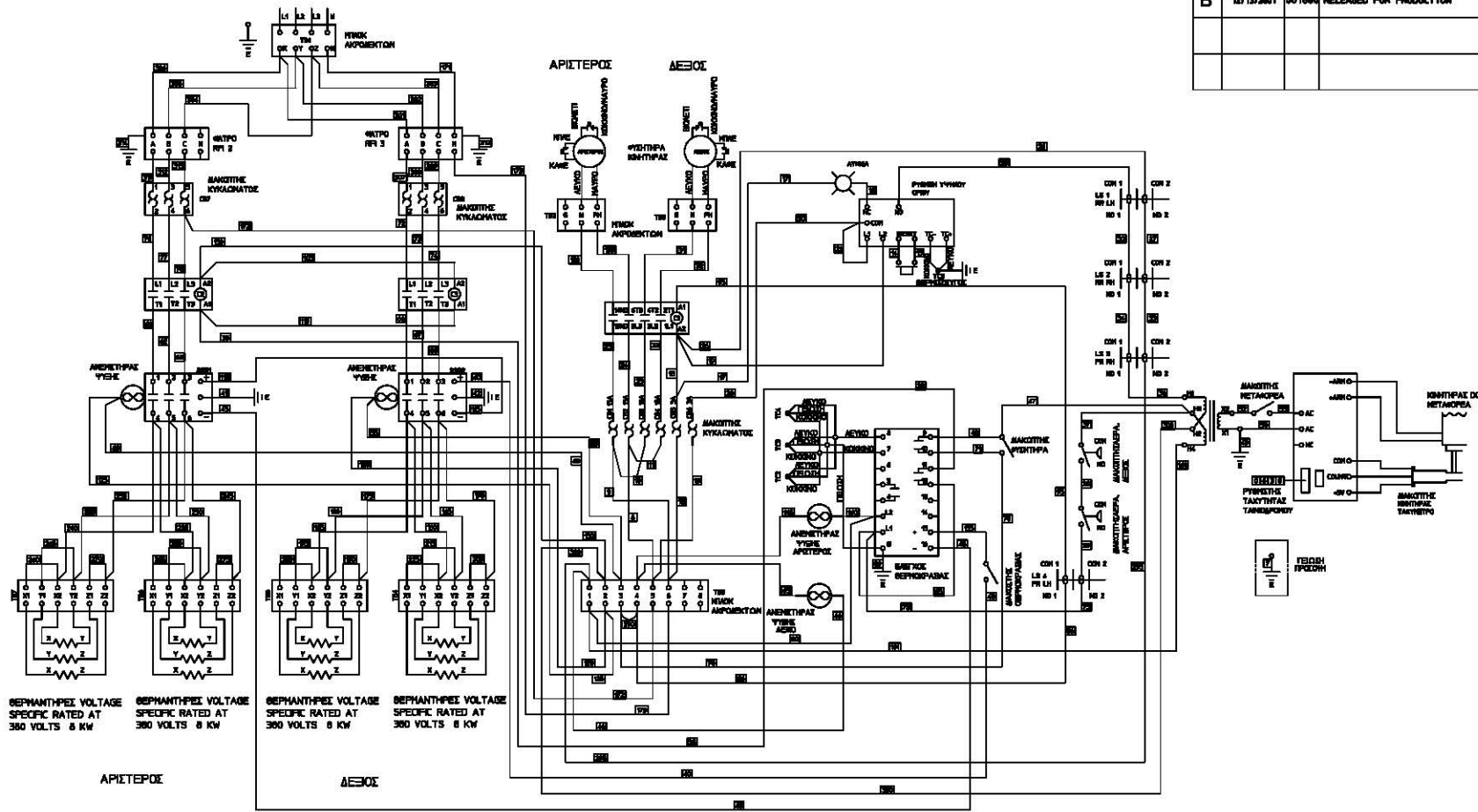
HEATER VOLTAGE SPECIFIC RATED AT 380 VOLTS 6 KW  
HEATER VOLTAGE SPECIFIC RATED AT 380 VOLTS 6 KW  
HEIZGERÄTE  
LINKE SEITE

HEATER VOLTAGE SPECIFIC RATED AT 380 VOLTS 6 KW  
HEATER VOLTAGE SPECIFIC RATED AT 380 VOLTS 6 KW  
HEIZGERÄTE  
RECHTE SEITE

MATERIAL	GAUGE:	TOLERANCE UNLESS SPECIFIED	THIS DRAWING IS CONFIDENTIAL AND PROPERTY OF <b>THE MIDDLEBY CORPORATION</b> 1400 Traskmaster Drive Elgin, Illinois 60120 847-741-3300
FINISH		ANGLES ± 1.0° DEC .X ± .030 .XX ± .015 .XXX ± .005	
DRAWN	CHECKED	APPROVED	
03/19/2001	NSS 04/10/2001	NSS 04/10/2001	
<b>WD, E380 / 50 / 3 4W CE 555 GM</b>			
ALL DIMENSIONS ARE IN INCHES UNLESS OTHERWISE SPECIFIED. DO NOT SCALE DRAWING.		PART NO	SMT
		<b>45509</b>	1 OF 1
			REV B

VOLTAGE	TOTAL WATTAGE (KW)	PHASE	TOTAL AMPERAGE PER LINE			
			X	Y	Z	N
380	34.2	3	48.6	48.6	57.8	9.2

REV	DATE	EON	REVISION DESCRIPTION	BY	CHK	DATE
B	12/15/2001	001644	RELEASED FOR PRODUCTION	KW	MS	12/28/2001



SEPHANTHPEI VOLTAGE SPECIFIC RATED AT 380 VOLTS 0 KW  
 SEPHANTHPEI VOLTAGE SPECIFIC RATED AT 380 VOLTS 0 KW  
 SEPHANTHPEI VOLTAGE SPECIFIC RATED AT 380 VOLTS 0 KW  
 SEPHANTHPEI VOLTAGE SPECIFIC RATED AT 380 VOLTS 0 KW

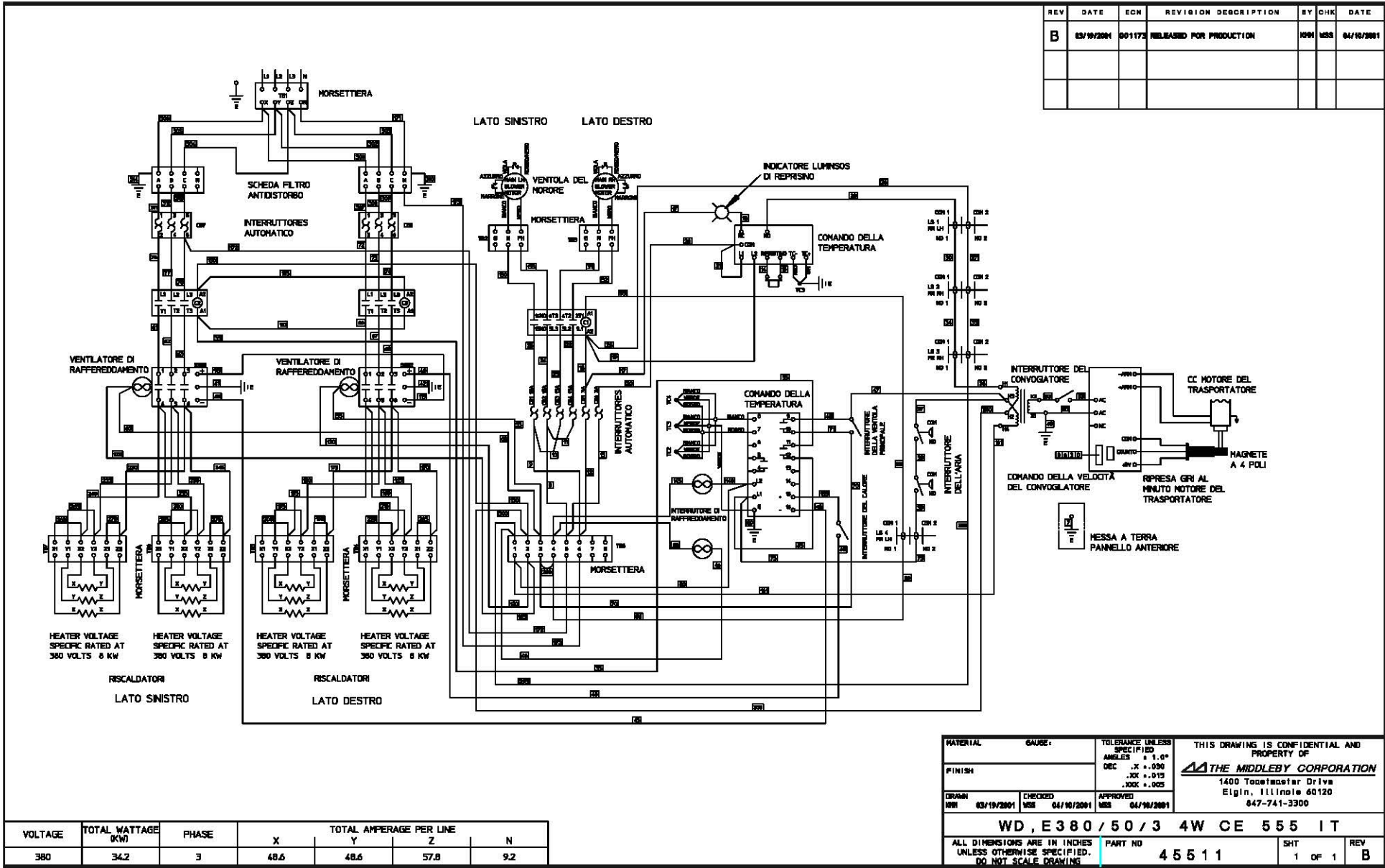
APICTEPOI  
 AENOI

MS LABEL PN 47303

VOLTAGE	TOTAL WATTAGE (KW)	PHASE	TOTAL AMPERAGE PER LINE			
			X	Y	Z	N
380	34.2	3	48.6	48.6	57.8	9.2

MATERIAL	GUAGE	TOLERANCE UNLESS SPECIFIED	THIS DRAWING IS CONFIDENTIAL AND PROPERTY OF <b>THE MIDDLEBY CORPORATION</b> 1400 Toolemaster Drive Elgin, Illinois 60120 847-741-3300
FINISH		ANGLES = 1.0° DEC .X ± 0.30 .XX ± 0.15 .XXX ± 0.05	
DRWEN 001	12/15/2001	CHECKED MS	12/28/2001
APPROVED MS		12/28/2001	
WD, E380/50/3 4W CE PS555 GK			
ALL DIMENSIONS ARE IN INCHES UNLESS OTHERWISE SPECIFIED. DO NOT SCALE DRAWING		PART NO <b>47302</b>	SHT 1 OF 1 REV B

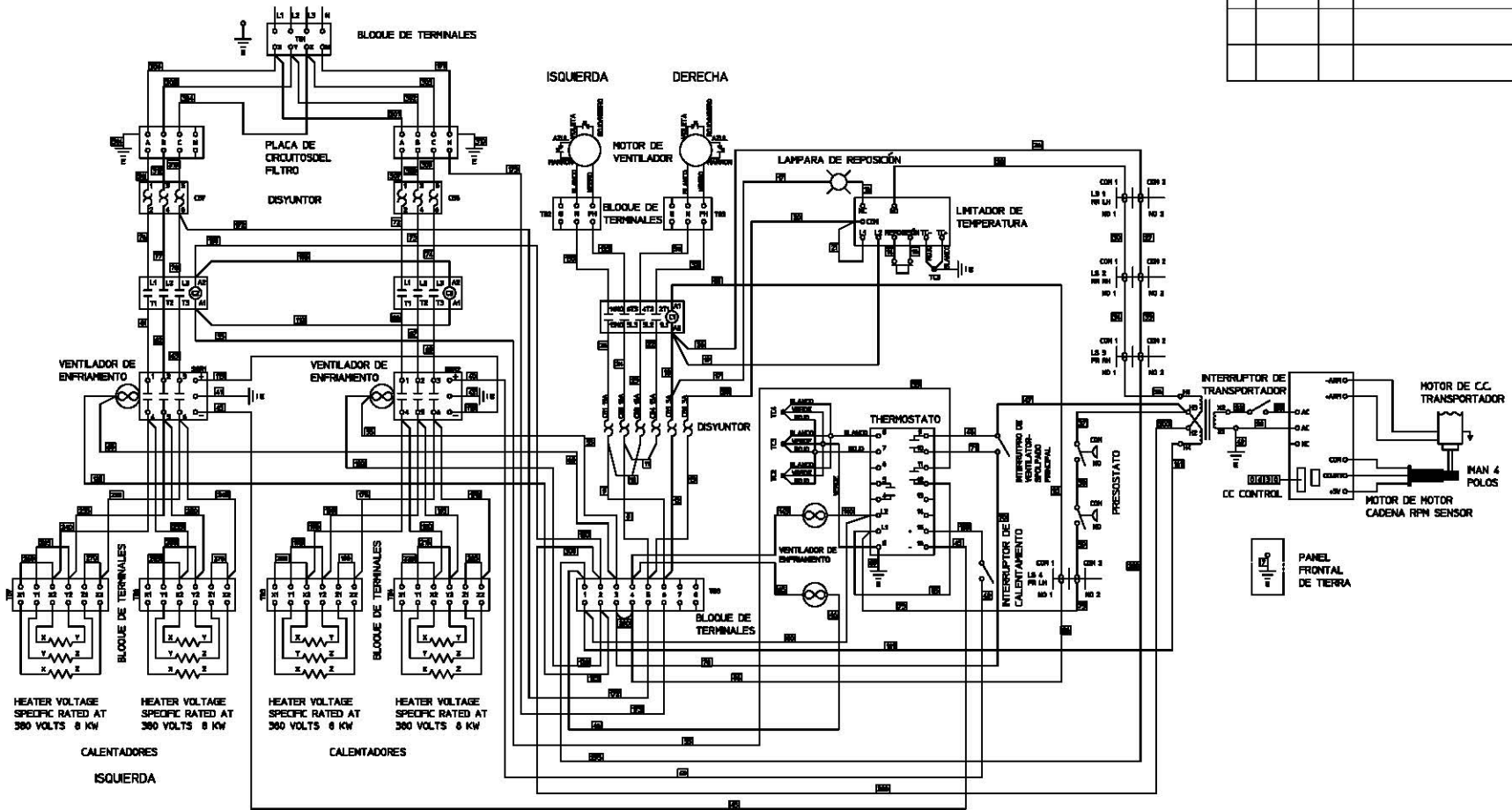
REV	DATE	ECN	REVISION DESCRIPTION	BY	CHK	DATE
B	03/19/2001	001173	RELEASED FOR PRODUCTION	MM	MS	04/10/2001



VOLTAGE	TOTAL WATTAGE (KW)	PHASE	TOTAL AMPERAGE PER LINE			
			X	Y	Z	N
380	34.2	3	48.6	48.6	57.8	9.2

MATERIAL	GAUGE:	TOLERANCE UNLESS SPECIFIED	THIS DRAWING IS CONFIDENTIAL AND PROPERTY OF <b>THE MIDDLEBY CORPORATION</b> 1400 Togetmaster Drive Elgin, Illinois 60120 847-741-3300
FINISH		ANGLES ± 1.0° DEC .X ± 0.030 .XX ± 0.015 .XXX ± 0.005	
DRWN MM	CHECKED MS	APPROVED MS	
<b>WD, E380 / 50 / 3 4W CE 555 IT</b>			
ALL DIMENSIONS ARE IN INCHES UNLESS OTHERWISE SPECIFIED. DO NOT SCALE DRAWING.		PART NO <b>45511</b>	SHT 1 OF 1
		REV B	

REV	DATE	ECN	REVISION DESCRIPTION	BY	CHK	DATE
B	05/18/2001	001173	RELEASED FOR PRODUCTION	K991	WSS	04/18/2001

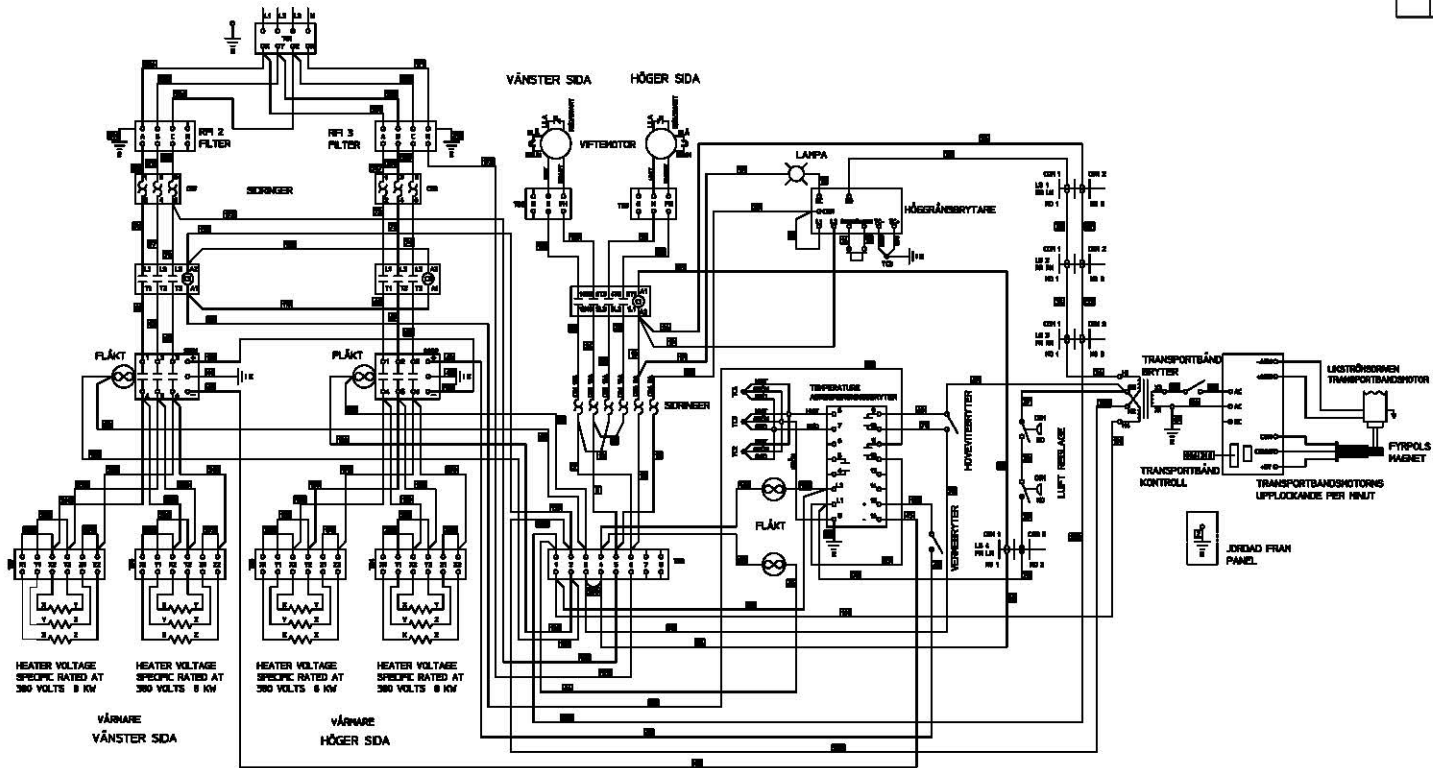


HEATER VOLTAGE SPECIFIC RATED AT 380 VOLTS @ KW  
 HEATER VOLTAGE SPECIFIC RATED AT 380 VOLTS @ KW  
 HEATER VOLTAGE SPECIFIC RATED AT 380 VOLTS @ KW  
 HEATER VOLTAGE SPECIFIC RATED AT 380 VOLTS @ KW

MATERIAL	GAUGE	TOLERANCE UNLESS SPECIFIED	THIS DRAWING IS CONFIDENTIAL AND PROPERTY OF <b>THE MIDDLEBY CORPORATION</b> 1400 Tasselmeater Drive Elgin, Illinois 60120 847-741-3300
FINISH		ANGLES ± 1.0° DEC .X ± .030 .XX ± .015 .XXX ± .005	
DRAWN 05/18/2001	CHECKED WSS 04/18/2001	APPROVED WSS 04/18/2001	
<b>WD, E380 / 50 / 3 4W CE 555 SP</b>			
ALL DIMENSIONS ARE IN INCHES UNLESS OTHERWISE SPECIFIED. DO NOT SCALE DRAWING.		PART NO <b>45513</b>	SHT 1 OF 1
			REV B

VOLTAGE	TOTAL WATTAGE (KW)	PHASE	TOTAL AMPERAGE PER LINE			
			X	Y	Z	N
380	34.2	3	48.6	48.6	57.8	9.2

REV	DATE	EDN	REVISION DESCRIPTION	BY	CHK	DATE
B	03/19/2001	001173	RELEASED FOR PRODUCTION	KOV	MSB	04/10/2001



HEATER VOLTAGE SPECIFIC RATED AT 380 VOLTS 8 KW  
 HEATER VOLTAGE SPECIFIC RATED AT 380 VOLTS 8 KW  
 HEATER VOLTAGE SPECIFIC RATED AT 380 VOLTS 8 KW  
 HEATER VOLTAGE SPECIFIC RATED AT 380 VOLTS 8 KW

VÄRMARE  
 VÄNSTER SIDA

VÄRMARE  
 HÖGER SIDA

VOLTAGE	TOTAL WATTAGE DWR	PHASE	TOTAL AMPERAGE PER LINE			
			X	Y	Z	N
380	34.2	3	48.6	48.6	57.8	9.2

MATERIAL	GAGE:	TOLERANCE UNLESS SPECIFIED	THIS DRAWING IS CONFIDENTIAL AND PROPERTY OF <b>THE MIDDLEBY CORPORATION</b> 1400 Touzmaster Drive Elgin, Illinois 60120 847-741-3300
FINISH		ANGLES ± 1.0° DEC .X ± 0.030 .XX ± 0.015 .XXX ± 0.005	
DRAWN KVV	CHECKED MSB	APPROVED MSB	
WD, E380/50/3 4W CE 555 SW			
ALL DIMENSIONS ARE IN INCHES UNLESS OTHERWISE SPECIFIED. DO NOT SCALE DRAWING.		PART NO	SHT 1 OF 1
		45515	REV B









