

Parts Manual

*with Wiring Diagrams
for domestic and standard import ovens*

Serial # Code

First 4 digits - order of production

Fifth digit - model specific

Sixth and Seventh digit - month of production

Eighth and Ninth digit - year of production

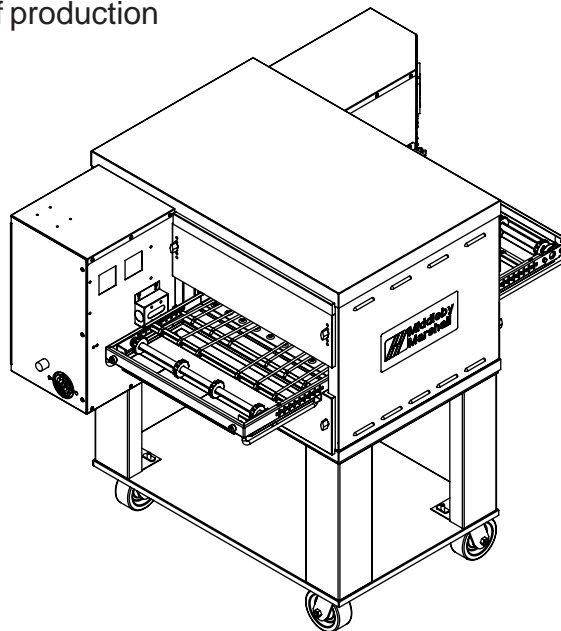


Table of Contents: Page 2



www.middleby.com

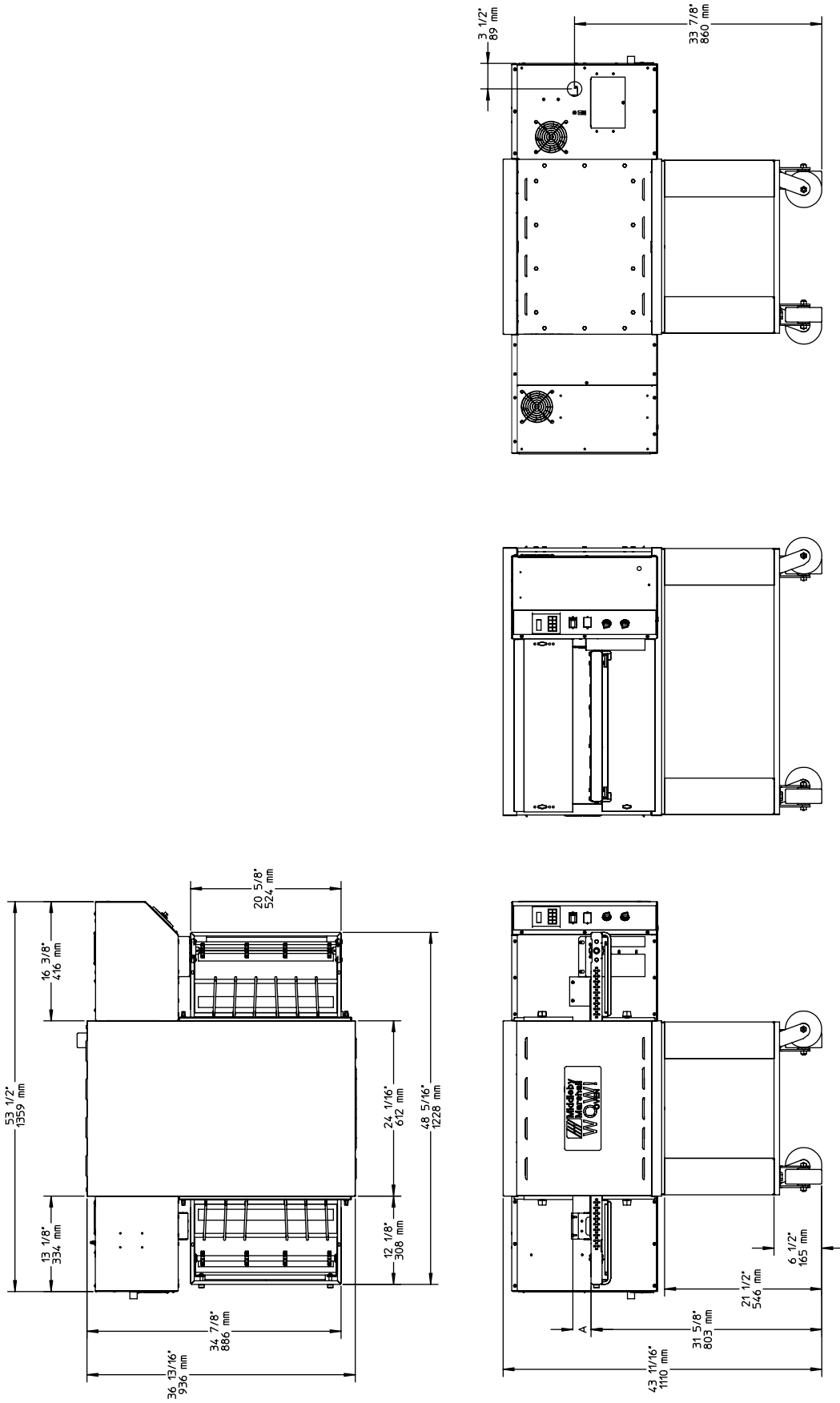
email: techsupport@middleby.com

1-847-741-3300 fax 1-847-741-4406 (Parts Department)

TABLE OF CONTENTS

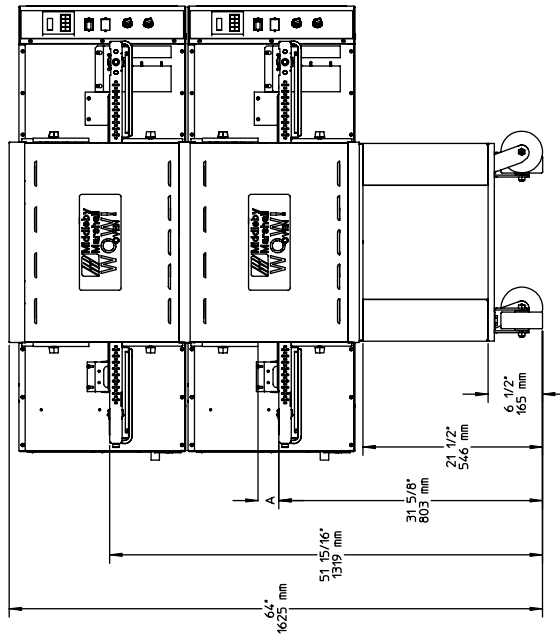
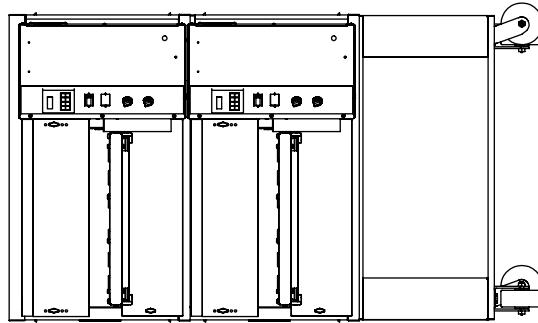
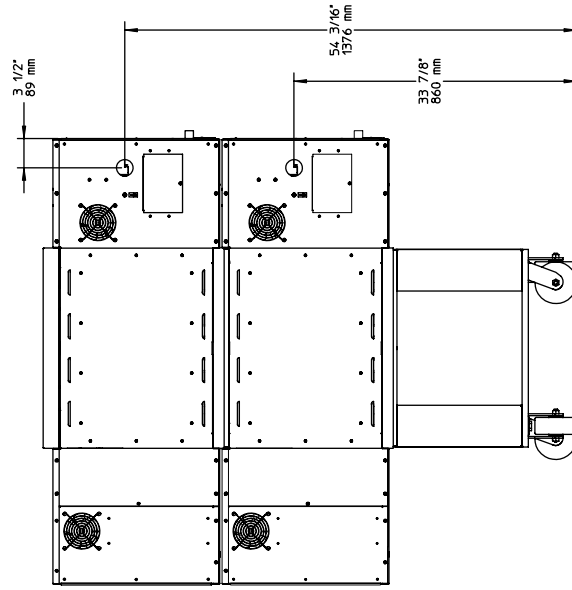
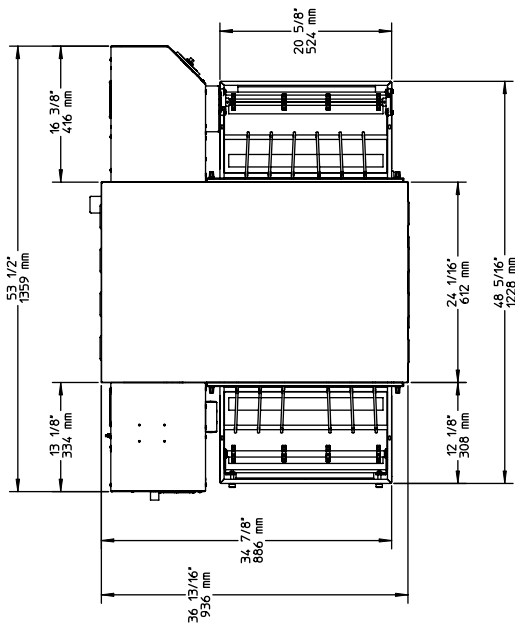
MODEL PS624E SINGLE OVEN DIMENSIONS	3
MODEL PS624E DOUBLE OVEN DIMENSIONS	4
MODEL PS624E TRIPLE OVEN DIMENSIONS	5
PS624E SERIES OVEN SPECIFICATIONS	6
PS624E SERIES ELECTRICAL SPECIFICATIONS	6
PS624E SERIES OVEN KEY SPARE PARTS KIT	7
Figure 1. Front Oven Panels	8
Figure 2. Back Oven Panels	9
Figure 3 – Sheet 1. View of Right-Hand Control Compartment	10
Figure 3 – Sheet 2. View of Right-Hand Control Compartment	11
Figure 4 – Sheet 1. Left-Hand Control Compartment Components	12
Figure 4 – Sheet 2. Left-Hand Control Compartment - Back	13
Figure 5a. End Plugs – PS624 & PS824	14
Figure 5b. End Plugs – PS628	14
Figure 6. Photoeye Sensor	15
Figure 7. Heating Elements	16
Figure 8. Blower Bearing Assembly	17
Figure 9. Upper and Lower Blower Panels	18
Parts List for Upper and Lower Blower Panels	19
Figure 10. Single Conveyor	20
Figure 11. Split Conveyor	21
PS624 SERIES OVEN INSTALLATION REQUIRED KITS AND COMPONENTS	22
Base Installation Components	22
Parts List for Series PS624E Oven Installation Components	23
Wiring Diagram, PS624E, 208V / 240V	24
Wiring Diagram, PS624E, 380V	25
Wiring Diagram, 624E, 380V – CE	26
Wiring Diagram, 624E, 400V / 415V	27
Finger Configuration	28

MODEL PS624E SINGLE OVEN DIMENSIONS



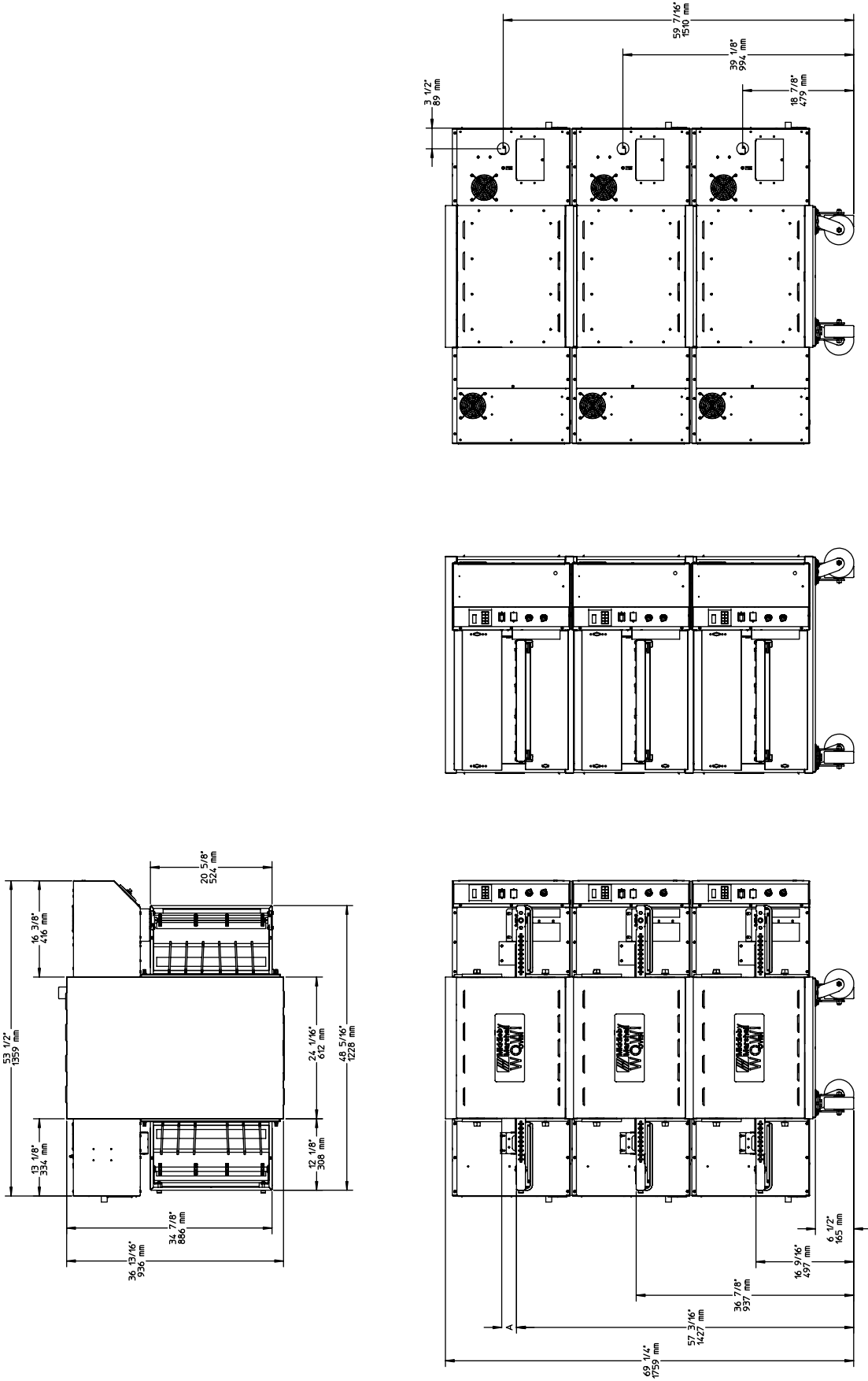
DIM A - ENTRANCE AND EXIT OPENING HEIGHTS ARE ADJUSTABLE FROM 2.25" (57mm) TO 3.75" (95mm) IN 1/2" (12.7mm) INCREMENTS

MODEL PS624E DOUBLE OVEN DIMENSIONS



DIM A - ENTRANCE AND EXIT OPENING HEIGHTS ARE ADJUSTABLE FROM 2.25" (57mm) TO 3.75" (95mm) IN 1/2" (12.7mm) INCREMENTS

MODEL PS624E TRIPLE OVEN DIMENSIONS



DIM A - ENTRANCE AND EXIT OPENING HEIGHTS ARE ADJUSTABLE FROM 2.25" (57mm) TO 3.75" (95mm) IN 1/2" (12.7mm) INCREMENTS

PS624E SERIES OVEN SPECIFICATIONS

Conveyor Belt Width	18.00" (457 mm)
Heating Zone Length	24.00" (610 mm)
Baking Area Square Feet	3.0 sq. ft. (0.28 m ²)
Overall Dimension – Standard Single Oven * w/Legs and two 8" Exit Trays Installed	*64.00" (1625 mm) L x 36.00" (914 mm) W x 43.69" (1110 mm) H x
Overall Dimension – Double Oven	*64.00" (1625 mm) L x 36.00" (914 mm) W x 64.00" (1625 mm) H x
Overall Dimension – Triple Oven	*64.00" (1626 mm) L x 36.00" (914 mm) W x 69.25" (1759 mm) H x
Weight of Single Oven	370 lb (93.3 kg)
Shipping Weight	499 lb (163.3 kg)
Shipping Cube	61.1 ft ³ (1.73 m ³)
Operating Range	14.4kW (17.4 kW optional)
Maximum Operating Temperature	600°F (316°C)
Warm-up Time	20 min.
Belt Speed Limits	0:30 - 12:00

PS624E SERIES ELECTRICAL SPECIFICATIONS

DOMESTIC OVENS

VOLTAGE	PHASE	HZ	kW	WIRING	BREAKER SIZE	POWER CORD SPECIFICATION	POWER PLUG
208	3	60	14.4 STD	4-WIRE / L1,L2,L3 & GROUND	50 A	6 GA, 4-WIRE	NEMA 15-50P
	3	50-60	17.4 OPT	4-WIRE / L1,L2,L3 & GROUND	60 A	4 GA, 4-WIRE	NEMA 15-60P
240	3	60	14.4 STD	4-WIRE / L1,L2,L3 & GROUND	50 A	6 GA, 4-WIRE	NEMA 15-50P
	3	60	17.4 OPT	4-WIRE / L1,L2,L3 & GROUND	60 A	4 GA, 4-WIRE	NEMA 15-60P
480	3	60	17.4 STD	5-WIRE / L1,L2,L3,N & GROUND	30 A	8 GA, 5-WIRE	NS

INTERNATIONAL OVENS

VOLTAGE	PHASE	HZ	kW	WIRING	BREAKER SIZE	POWER CORD SPECIFICATION	POWER PLUG
208	3	50-60	17.4 STD	4-WIRE / L1,L2,L3 & GROUND	60 A	4 GA, 4-WIRE - NS	NS
	3	50-60	14.4 OPT	4-WIRE / L1,L2,L3 & GROUND	50 A	6 GA, 4-WIRE - NS	NS
230-240	3	50-60	17.4 STD	4-WIRE / L1,L2,L3 & GROUND	60 A	4 GA, 4-WIRE - NS	NS
	3	50-60	14.4 OPT	4-WIRE / L1,L2,L3 & GROUND	50 A	6 GA, 4-WIRE - NS	NS
380 CE	3	50-60	17.4 STD	5-WIRE / L1,L2,L3,N & GROUND	40 A	6 GA, 5-WIRE	NS
400-416	3	50-60	17.4 STD	5-WIRE / L1,L2,L3,N & GROUND	35 A	8 GA, 5-WIRE	NS

STD = Standard

OPT = Optional

NS = Not Supplied

NOTE

Wiring Diagrams are contained on pages 24-27 of this Manual and are also located inside the left side control box door. Additional electrical information is provided on the oven's serial plate.

This Manual Must Be Kept For Future Reference

PS624E SERIES OVEN KEY SPARE PARTS KIT

Replacement parts can be purchased from your Middleby Marshall Authorized Parts Distributor. Keeping these key parts on hand can prevent long downtime for your oven.

ITEM	PARTNO.	DESCRIPTION	QUANTITY
1	44549	Contact, 230V, Coil 85A	1
2	59558	Motor, Blower	1
3	60520-2	Thermocouple, Type "J" 2.00" (Temperature Control)	2
4	58131	Filter, RFI (380 VAC versions ONLY)	1
5	60185	Photoeye Sensor	1
6	31504	Transformer, 230V (P), 120V (S) 200V	1
7	44696	Switch, Rotary and Mounting Adapter	3
8	44697	Block, Contact	3
9	48635	Breaker, Circuit 240V 0.3A	2
10	62044	Switch, Air .08" WC	1
11	60952	Relay, DPDT 240VAC Coil	1
12	44914	Controller, PS555EL 208/240V	1
13	44568	Controller, PS555EL 380/480V	1 Each
14	97525	Fan, Cooling 230V	1
15	61079	Assy, Blower Scroll PS624E	2
16	60134	Element,Htg 208V 7.2 KW PS624	1
16	60976	Element,Htg 208V & 416V 8.7 KW PS624E	1
16	61571	Element,Htg 240V 7.2 KW PS624	1
16	61132	Element,Htg 240V 8.7 KW PS624E	1
16	61030	Element,Htg 380V 8.7 KW	1
17	33983	Control, Electric Hi-Limit 240V	1
18	33812-8	Thermocouple, Type "J" shielded 2.50 x 60	1
19	45019	Breaker, Circuit 480VAC 63A 3Pole	1
20	60058	Inverter, Lenze 1/3 HP	2
21	47321	Control, Combo 4-20mA, Burst	1
22	60542	CNTRL, Conv Digital Hardened	1
23	58500	Motor, Conveyor Drive (w/o Sensor)	1
24	61185	Relay, Time Delay DSQUAD3	1
25	61186	Power Supply, 24 VDC 40W	1
26	45036	Breaker, Circuit 240V 3A	2
27	59206	Breaker, Circuit 240V 10A	1
28	60947	Thermostat, Snap Disc Man Reset	1

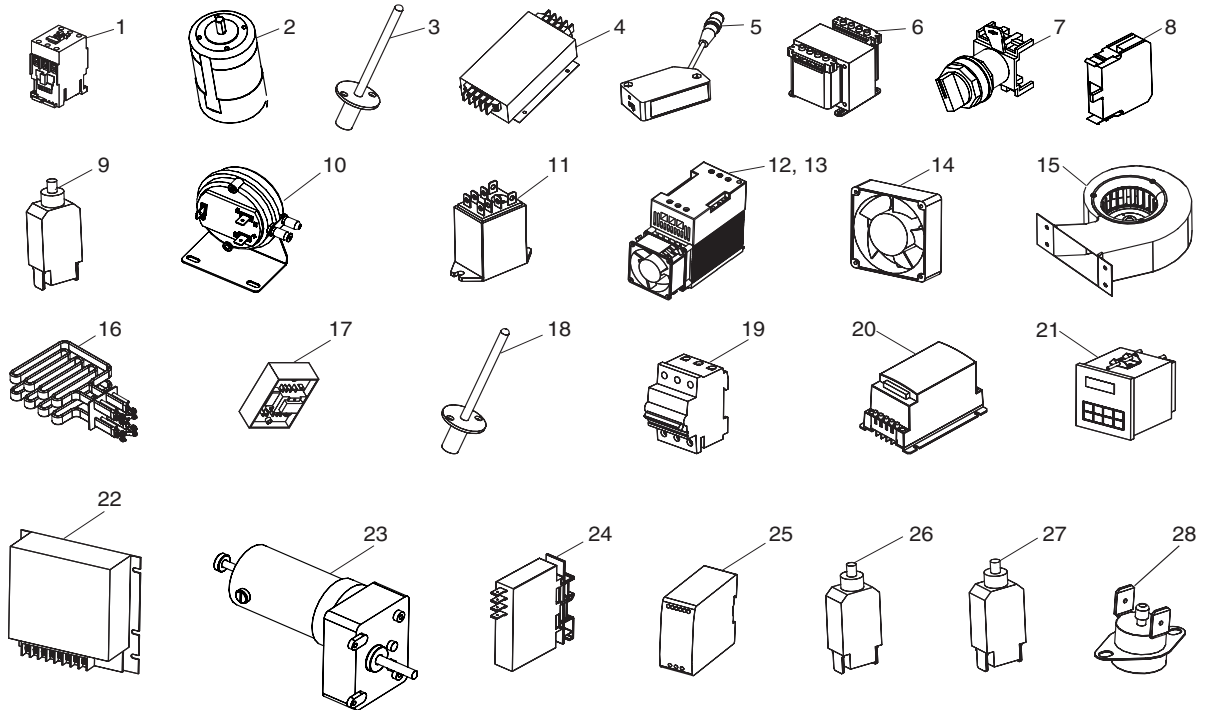
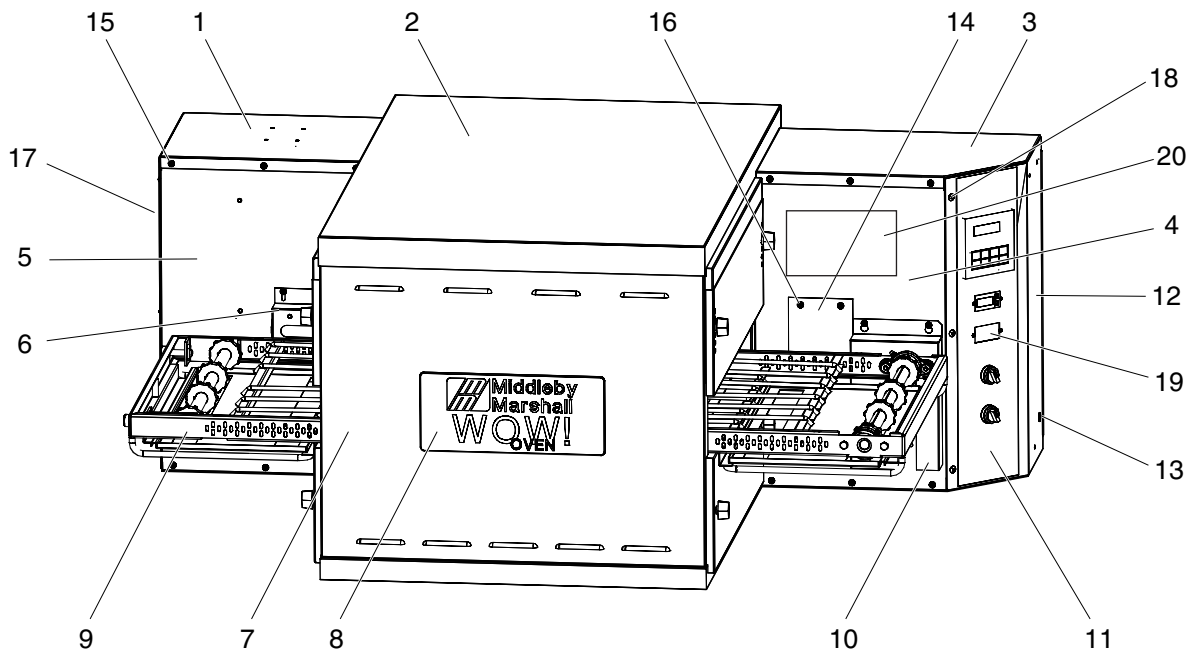
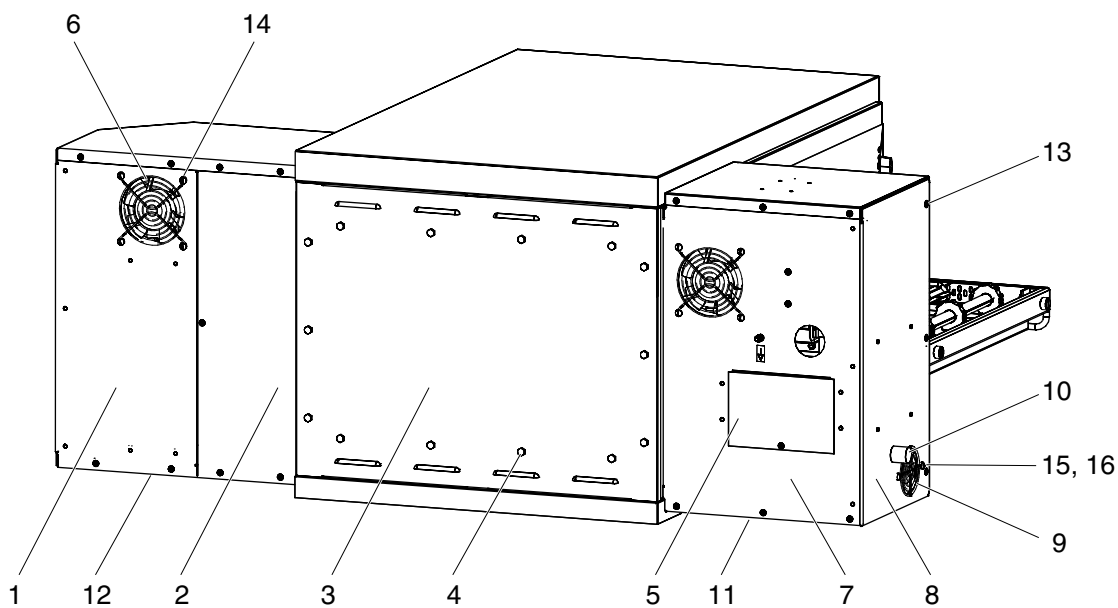


Figure 1. Front Oven Panels



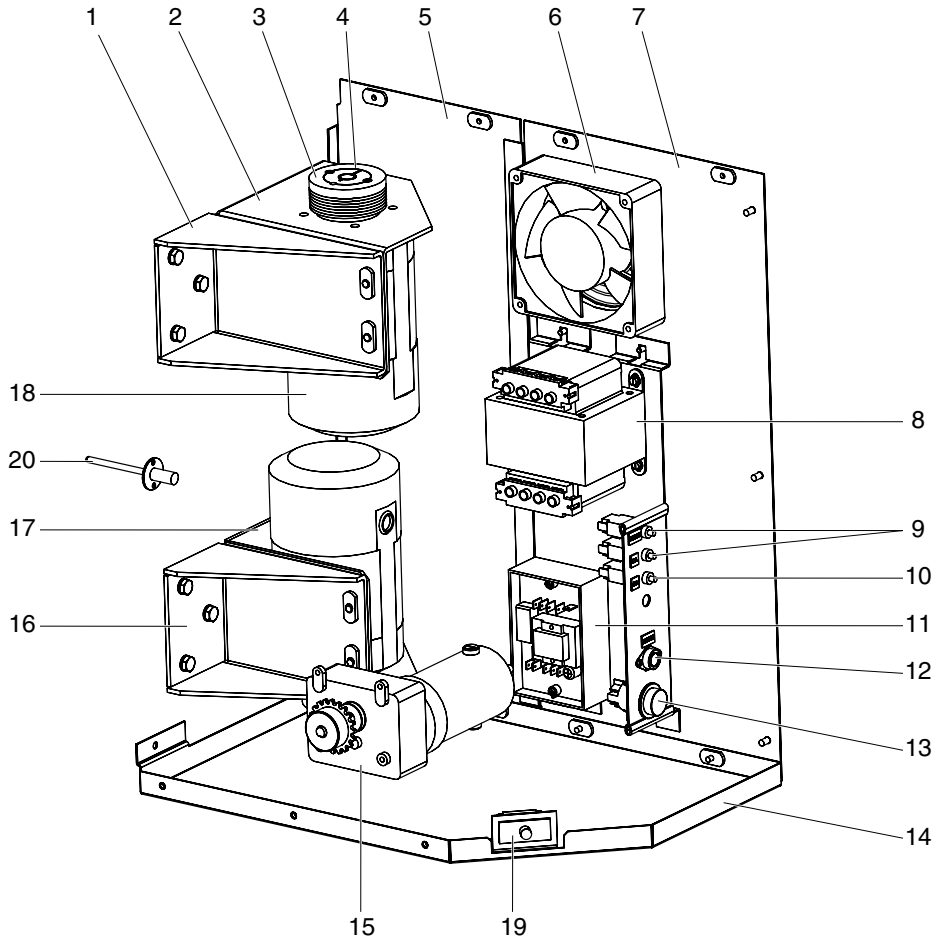
ITEM	QTY	PN	DESCRIPTION
1	1	60038	ASSY,CTRL TOP/PEMLH
2	1	59835	PNL,OUTER TOP
3	1	59980	PNL,CONTROL TOP LH
4	1	60874	ASSY,CTRL FRT RH
5	1	59884	ASSY,PNL CTRL FRT LH
6	1	61144	ASSY,PHOTOEYE SENSOR
7	1	59644	PANEL, FRONT (OUTER)
8	1	60717	LBL,MM WOW LOGO PLASTIC
9	1	61135	ASSY,CONV 48" SINGLE BELT
9	1	59816	ASSY,CONV 48" SPLIT BELT
10	1	60841	BOX,CHAIN CVR
11	1	61032	LABEL,CTRL DOOR RH
12	1	60850	WLDMT,CTRL DOOR RH PS624E
13	1	60166	PLUG,WINDOW HEYCO 1305
14	1	61161	COVER,PHOTOEYE
15, 16	AR	B301A8855	SCR,MS PH TRHD 8-32X3/8 18-8
17	1	59882	WLDMT,DOOR LH PS624
18	AR	2000227	SCR,MS PHL TRHD 10-32X1/2 18-8
19	1	54945	PLATE,SWITCH PANEL
20	1	31613	LABEL, OPERATING INSTRUCTIONS

Figure 2. Back Oven Panels



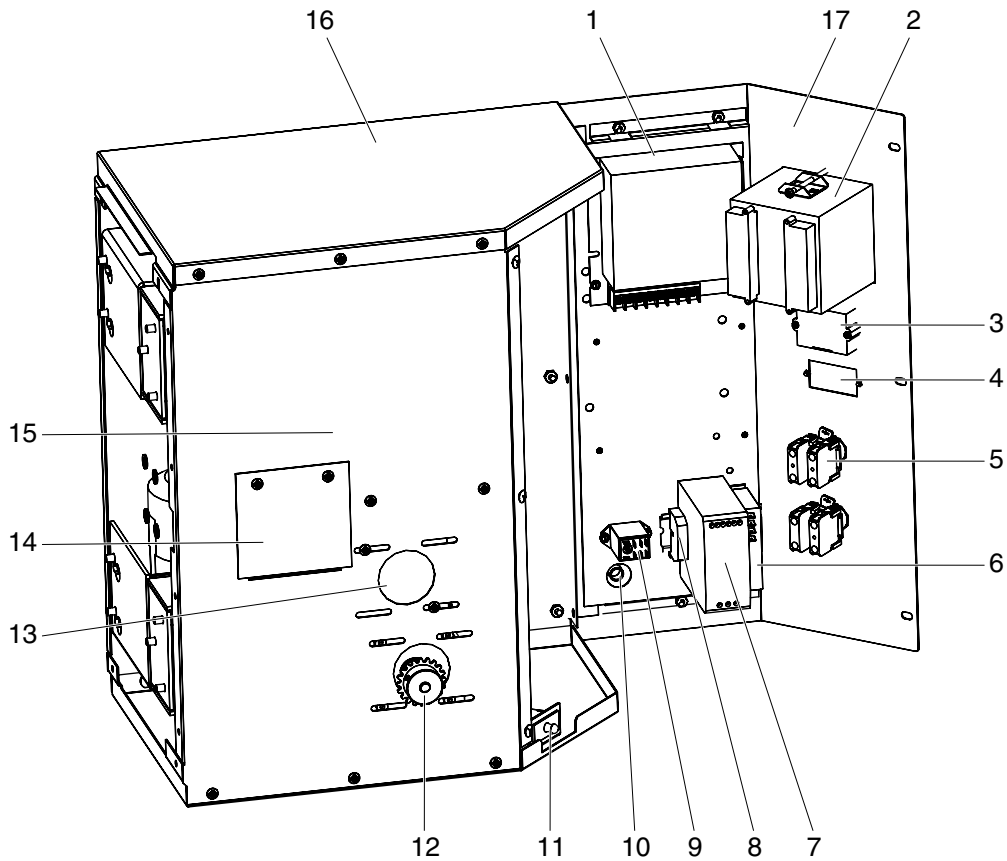
ITEM	QTY	PN	DESCRIPTION
1	1	59992	WLDMT, CTRL RR FIX RH
2	1	59991	WLDMT, CTRL RR DOOR RH
3	1	59698	WLDMT, BACK PANEL
4	1	4 A6153	SCR, MS HH 1/4-20X1/2 18-8
5	1	59868	COVER, ELEC INLET
6	2	27470-0004	GUARD, FAN
7	4	59869	ASSY, CTRL BACK LH
8	1	59882	WLDMT, DOOR LH
9	1	58212	GUARD, FINGER, COOLING FAN
10	1	30927	BUMPER, WINDOW
11	1	59886	WLDMT, PNL CTRL BTM LH
12	1	59986	ASSY, CTRL BTM RH PS624
13	AR	2000227	SCR, MS PHL TRHD 10-32X1/2 18-8
14	AR	21256-0008	SCR, 10-32X3/8 18-8 SL TRUS S
15	2	21256-0008	SCR, 10-32X3/8 18-8 SL TRUS S
16	2	2001371	NUT, KEPS 10-32 ZP

Figure 3 – Sheet 1. View of Right-Hand Control Compartment



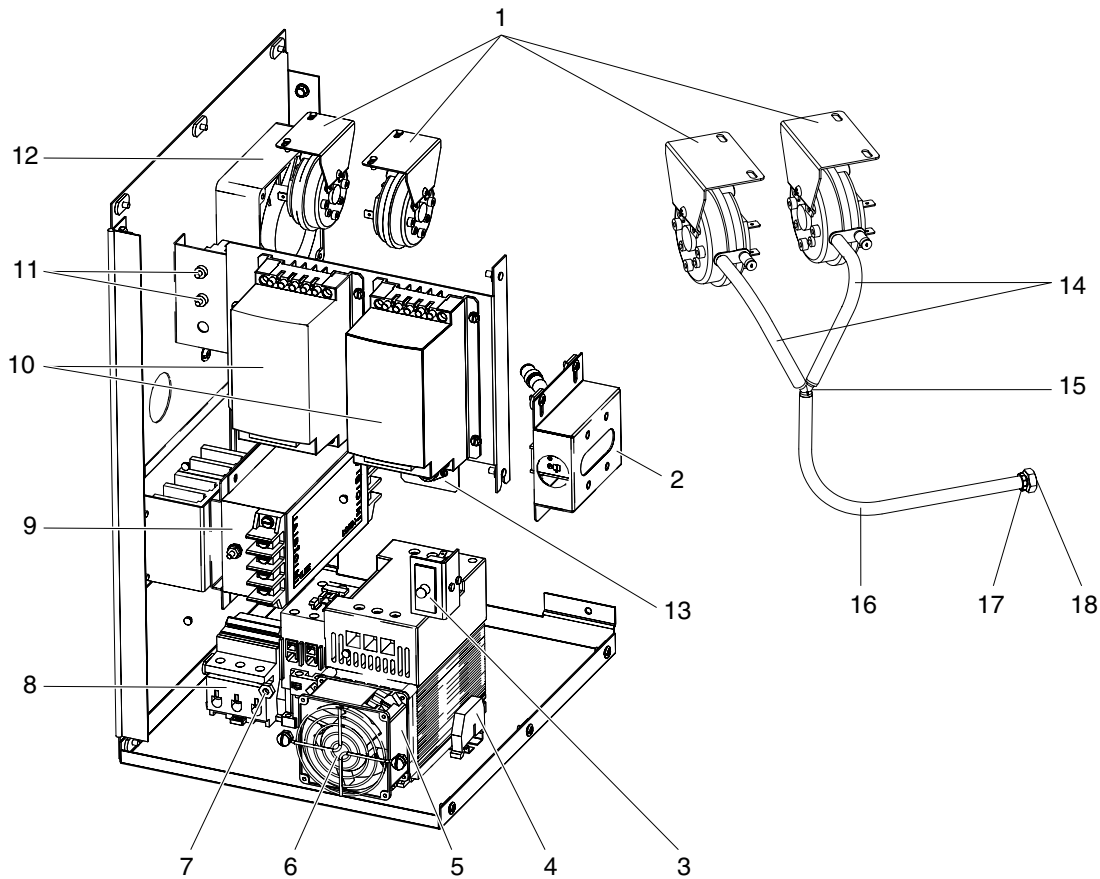
ITEM	QTY	PN	DESCRIPTION
1	1	59973	WLDMT,BRACE MTR MTG (UPR)
2	1	59972	BRACKET,MOTOR MTG UPR
3	2	59676	SHEAVE, POLY-V 6-GRV 2.36D
4	2	60958	BUSHING, TAPER LOCK 1/2" BORE
5	1	59991	CONTROL RR DOOR RH PS624/PS824
6	1	97525	COOLING FAN
7	1	59992	PANEL, RIGHT REAR (FIXED)
8	1	31504	TRANSFORMER,230V(P) / 120V(S) 200VA
9	2	45036	BREAKER,CIRCUIT 240V 3A (CONTROL CIRCUIT)
10	1 or 2	48635	BREAKER,CIRCUIT 240V 0.3A (CONVEYOR MTR)
11	1	33983	CONTROL,ELEC HI-LIMIT 240V
12	1	60947	THERMOSTAT,MANUAL RESET
13	1	35145	SWITCH,PUSHBUTTON RESET
14	1	59986	ASSY, CONTROL BOTTOM RH
15	1	3002757	CONVEYOR GEARMOTOR
16	1	60027	WLDMT,MTR BRACE LWR
17	1	59971	BRACKET,MOTOR MTG LWR
18	2	59558	MOTOR,1/4 HP 230V/60/3
19	1	28021-0047	SWITCH,INTLCK 10A NO2P
20	1	33812-8	THERMOCOUPLE PROBE (HI-LIMIT)

Figure 3 – Sheet 2. View of Right-Hand Control Compartment



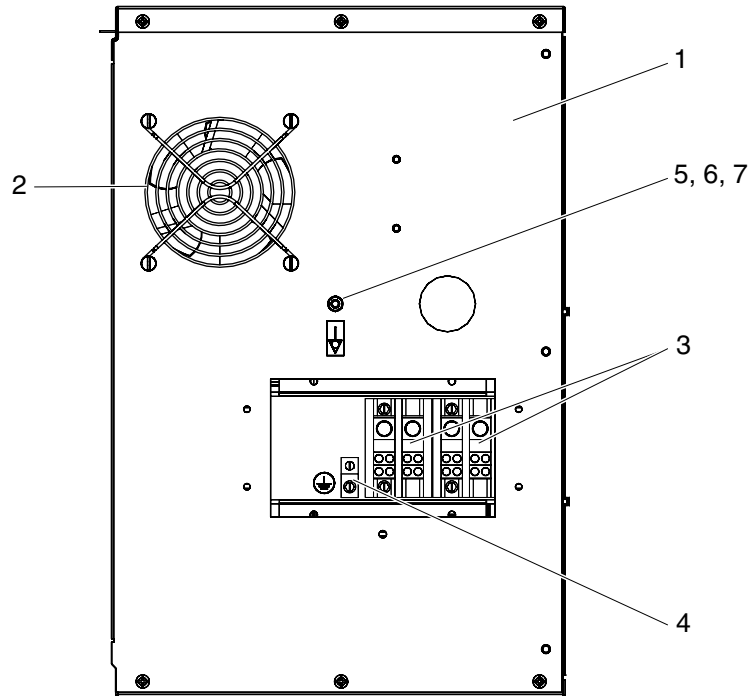
ITEM	QTY	PN	DESCRIPTION
1	1 or 2	60542	CONTROL,CONVEYOR SPEED
2	1	47321	TEMPERATURE CONTROLLER KIT
3	1 or 2	—	DISPLAY, CONVEYOR SPEED (INCLUDED WITH ITEM 1)
4	1	54945	PLATE, COVER
5	3	44697	BLOCK,CONTACT
6	1	61185	RELAY,TIME DELAY DSQUD3
7	1	61186	POWER SUPPLY, 24VDC 40W
8	2	33363	END STOP
9	1	60952	RELAY,DPDT 240VAC COIL, 10 A
10	1	60166	PLUG,WINDOW HEYCO 1305
11	1	28021-0047	SWITCH,INTLCK 10A NO2P
12	1	61162	SPROCKET, 20T 1/4" PITCH
13	1	61368	PLATE, MOTOR MOUNT COVER
14	1	61161	COVER,PHOTOEYE
15	1	60874	ASSY,CTRL FRT RH PS624/PS824
16	1	59980	PANEL,CTRL TOP RH
17	1	60850	WELDMENT,CTRL DOOR RH PS624E

Figure 4 – Sheet 1. Left-Hand Control Compartment Components



ITEM	QTY	P/N	DESCRIPTION
1	2	62044	AIR SWITCH
2	1	61144	PHOTOEYE SENSOR ASSEMBLY
3	1	28021-0047	INTERLOCK SWITCH
4	4	33363	END STOP
5	1	44914	CONTROLLER, SCR POWER, FOR 208-240V APPLICATIONS
5	1	44568	CONTROLLER, SCR POWER, FOR 380-480V APPLICATIONS
6	1	58212	FAN GUARD
7	1	44549	CONTACTOR, 230V AC COIL 85A
8	1	45019	BREAKER, CKT 480VAC 63A POLE
9	1	58131	FILTER, RFI 50A1400V 3/50/60 Hz
10	2	60058	INVERTER 1/3 HP
11	2	59206	BREAKER, CIRCUIT 240V 10A
12	1	97525	COOLING FAN
13	1	60947	THERMOSTAT, MANUAL RESET
14	2	62141	TUBE, AIR SWITCH, 4-1/2"
15	1	62138	CONNECTOR, PLASTIC "Y"
16	1	62140	TUBE, AIR SWITCH, 8-1/2"
17	1	62137	ADAPTER, PLASTIC THREADED
18	1	62139	NUT, PANEL MOUNT, 5/16-24

Figure 4 – Sheet 2. Left-Hand Control Compartment - Back



ITEM	QTY	P/N	DESCRIPTION
1	1	59866	WLDMT, CTRL BACK, LH
2	1	27470-0004	GUARD, FAN
3	2	27480-0001	BLOCK, POWER DIST, 2 POLES, 600V
4	1	31589	GROUND LUG
5	1	37157	SCREW, METRIC M6X20MM
6	2	37158	NUT, METRIC HEX M6
7	2	2001767	WASH ER, FLAT 1/4

Figure 5a. End Plugs – PS624 & PS824

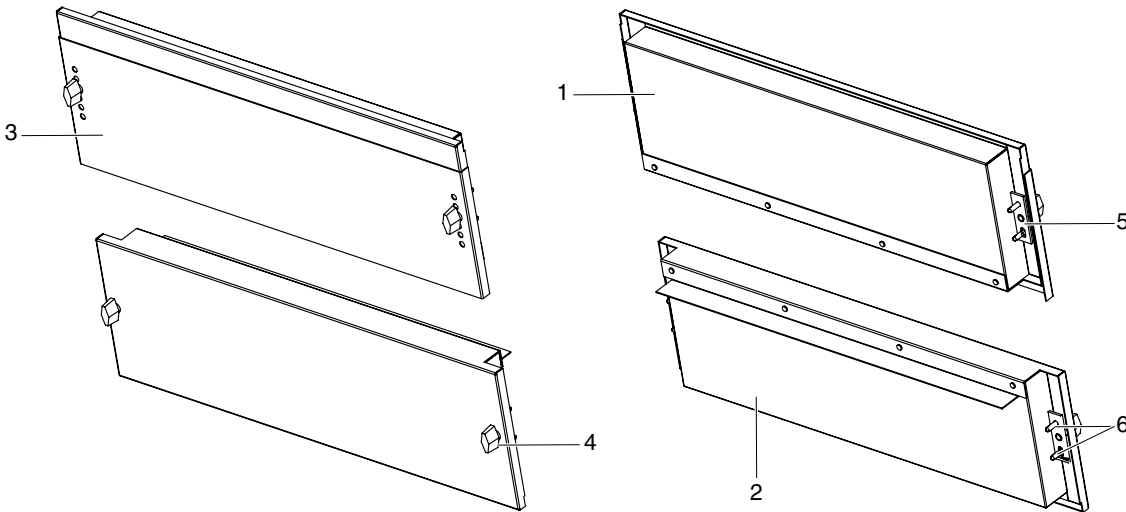
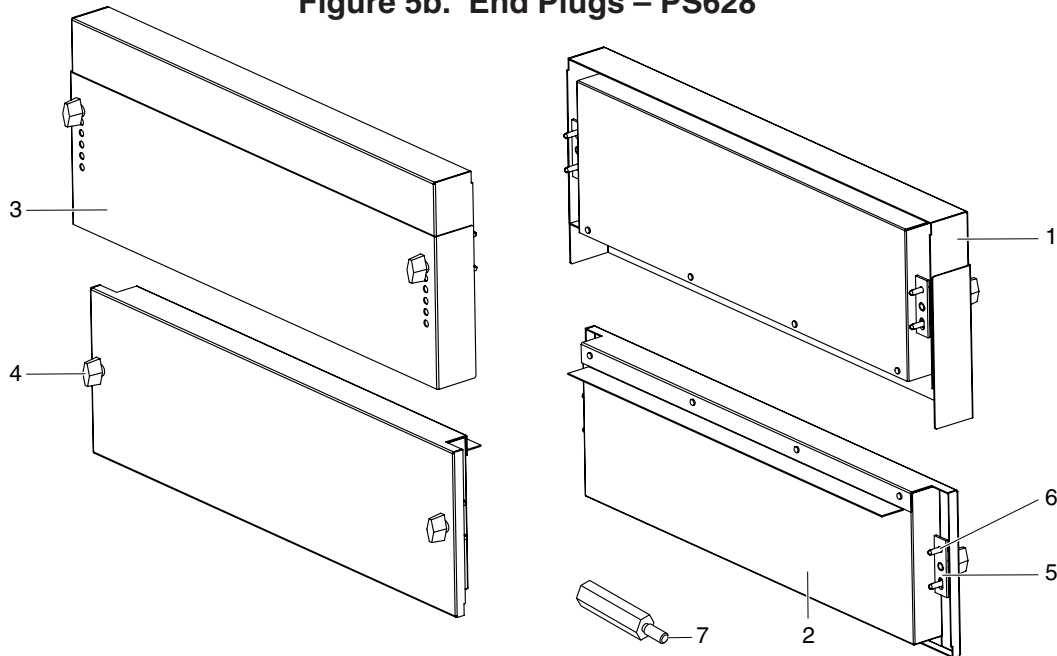
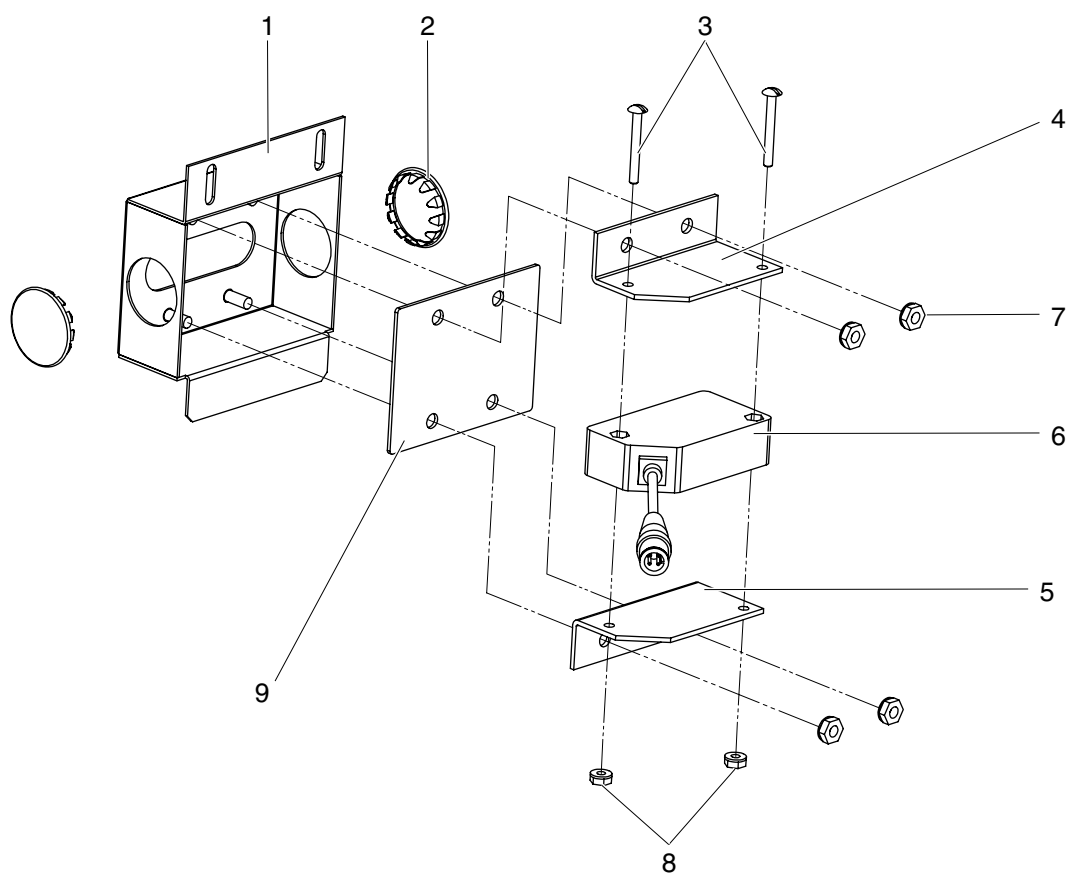


Figure 5b. End Plugs – PS628



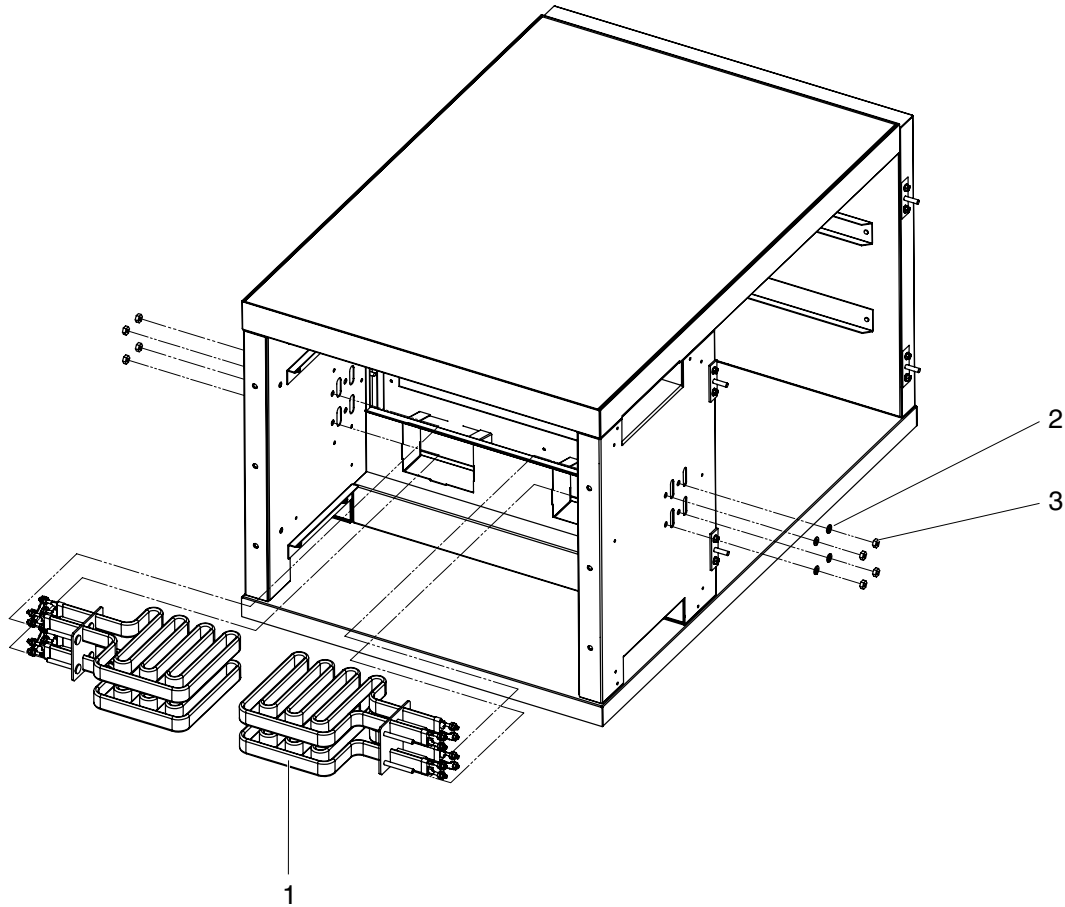
ITEM	PS624 & PS824 QTY	PS628 QTY	PN	DESCRIPTION
1	2		61362	ASSY, END PLUG UPPER
1		2	61928	ASSY, END PLUG UPPER
2	2	2	59740	ASSY, END PLUG LOWER
3	2		61228	EYEBROW
3		2	61927	EYEBROW
4	8	8	36452	NUT, WING-PLASTIC 1/4-20
5	8	8	48640	ASSY, END PLUG MOUNTING
6	16	16	21296-0005	SCR, HX WSHHD, 12-14X3/4 SS BSD
7	-	4	61924	STANDOFF, 1/4-20 MALE/FEMALE

Figure 6. Photoeye Sensor



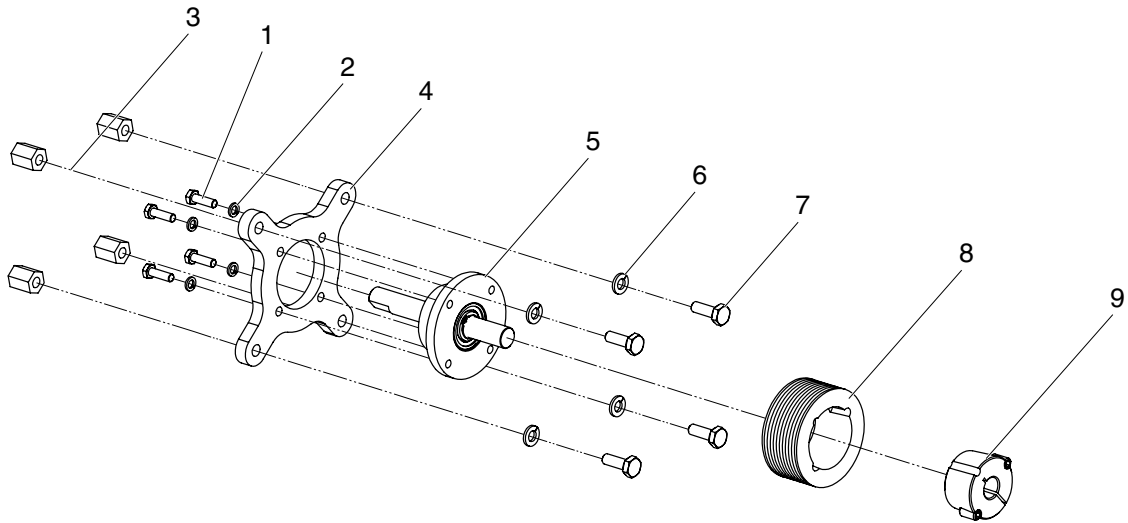
ITEM	QTY	PN	DESCRIPTION
1	1	61148	ASSY, COVER, PHOTOEYE/PEM
2	2	3102533	PLUG, HOLE 1.125 DIA.
3	2	141218805	SCR, THM 6-32X1-1/4
4	1	61146	BRKT, SENSOR, ALLEN-BRADLEY TOP
5	1	61145	BRKT, SENSOR, ALLEN-BRADLEY BTM
6	1	60185	SENSOR, ALLEN-BRADLEY 42BT
7	4	2001371	NUT, KEPS 10-32 ZP
8	2	2001327	NUT, KEPS 6-32 ZPS
9	1	61147	PLASTIC, 3.25 X 2.5 X 0.063

Figure 7. Heating Elements



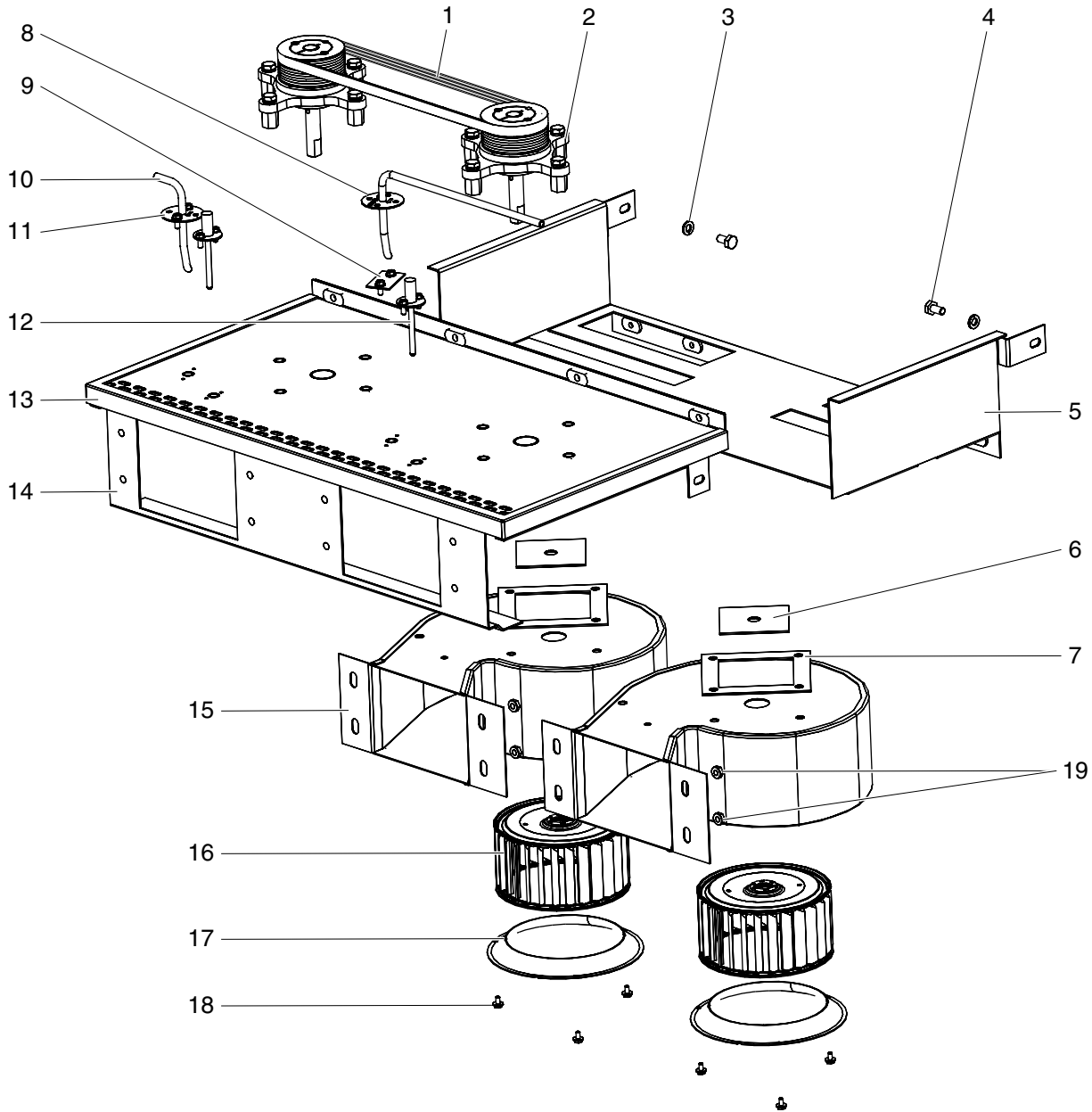
ITEM	QTY	PN	DESCRIPTION
1	2	60134	ELEMENT,HTG 208V 7.2 KW
	2	60976	ELEMENT,HTG 208V 8.7 KW
	2	61571	ELEMENT, HTG 240V 7.2KW
	2	61132	ELEMENT,HTG 240V 8.7KW
	2	61030	ELEMENT, HTG 380V 8.7KW
2	8	21426-0005	WASHER,LOCK SS #10
3	8	59939	SPACER,THREADED 1/4-20 X .625

Figure 8. Blower Bearing Assembly



ITEM	QTY	PN	DESCRIPTION
1	4	2000245	SCR,MS HH 10-32X5/8 SST
2	4	21426-0005	WASHER,LOCK SS #10
3	4	59939	SPACER,THREADED 1/4-20 X .625
4	1	59938	PLATE,BLWR BRG MTG PS624
5	1	61745	ASSY,BRG/SHAFT HOLDER PRELOAD
6	4	21426-0002	WASHER,LOCK SS 1/4
7	4	A3333	SCR,MS HXHD 1/4-20X3/4 18-8
8	1	59670	SHEAVE,POLY-V 10-GRV 2.36D
9	1	60958	BUSHING,TAPER LOCK 1/2" BORE

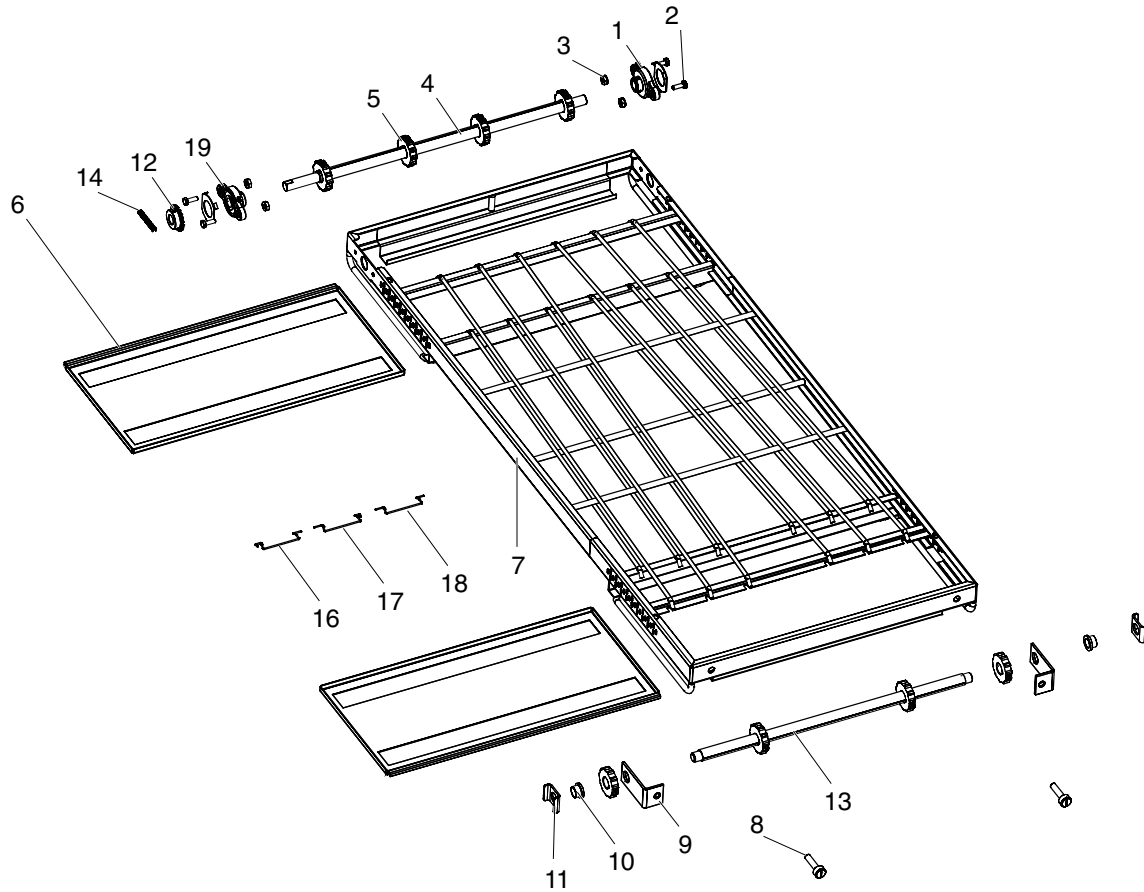
Figure 9. Upper and Lower Blower Panels



Parts List for Upper and Lower Blower Panels

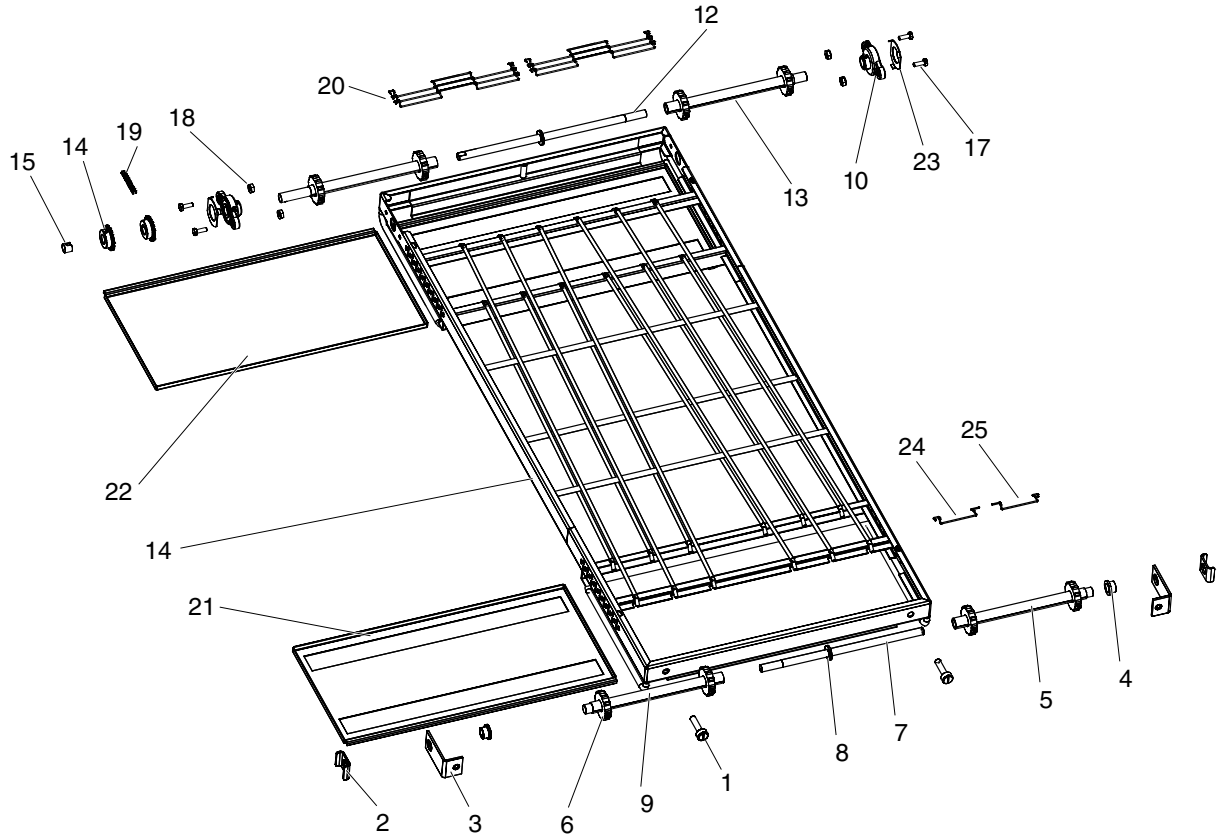
ITEM	QTY	QTY	PN	DESCRIPTION
	UPPER	LOWER		
1	2	2	60949	BELT,POLY-V 4PJ696
2	2	2	59937	ASSY,BLWR BRG
3	2	2	21426-0002	WASHER,LOCK SS 1/4
4	2	2	A6153	SCR,MS HH 1/4-20X1/2 18-8
5	1	1	60043	WLDMT,BLWR COVER
6	2	2	59669	SEAL, SHAFT 1/2" PTFE
7	2	2	59626	RETAINER, SHAFT SEAL
8	NA	1	59989	PROBE,AIR SENSE LWR
9	1	1	61865	PLATE, CVR SENSOR
10	1	NA	59988	PROBE,AIR SENSE UPR
11	8	8	44661	SCR,REG HWH 8-32X3/8 NP
12	2	2	60520-2	TC, TYPE J GRD JUNCT 2.00 X 60
13	1	1	61231	TAPE,FIBERGLASS 44X1X0.0625
14	1	1	59511	WLDMT, BLWR INSUL
15	2	2	61077	HOUSING,BLWR CCW
16	2	2	61078	WHEEL,BLWR 4.75D X 2.5W
17	2	2	60083	RING,BLWR INLET
18	6	6	2000620	SCR,"AB"SLT HWH 6X1/4 ZPS
19	2	2	2001371	NUT,KEPS 10-32 ZP
20	8	8	18A1S19	SCR,MS HXHD 1/4-20X1 ZP (NOT SHOWN) BLOWER HOUSING MOUNTING SCREWS

Figure 10. Single Conveyor



ITEM	QTY	PN	DESCRIPTION
1	2	45377	BALL BEARING (FLANGE MOUNTED)
2	4	A3333	HEX HEAD SCREW, 1/4-20X3/4 18-8
3	4	2001414	NUT,KEPS 1/4-20 ZP
4	1	48781	DRIVE SHAFT
5	8	22229-0003	CONVEYOR BELT SPROCKET
6	2	48707	CRUMB PAN (VENTED)
7	1	59817	CONVEYOR FRAME
8	2	35000-1008	IDLER ADJUSTING SCREW
9	2	37000-0413	IDLER BRACKET
10	2	22034-0003	FLANGED BUSHING
11	2	35900-0020	SHAFT SUPPORT BRACKET
12	1	221 59-0003	SPROCKET, 20 TEETH 5/8" BORE
13	1	48779	IDLER SHAFT
14	1	50046	CHAIN,ROLLER 20 IN.
15	1	50057	CONVEYOR BELT (NOT SHOWN)
16	1	50060	LINK,MASTER LEFT
17	1	50061	LINK,MASTER RIGHT
18	2	50062	LINK,MASTER CENTER
19	2	60737	COVER,BEARING

Figure 11. Split Conveyor



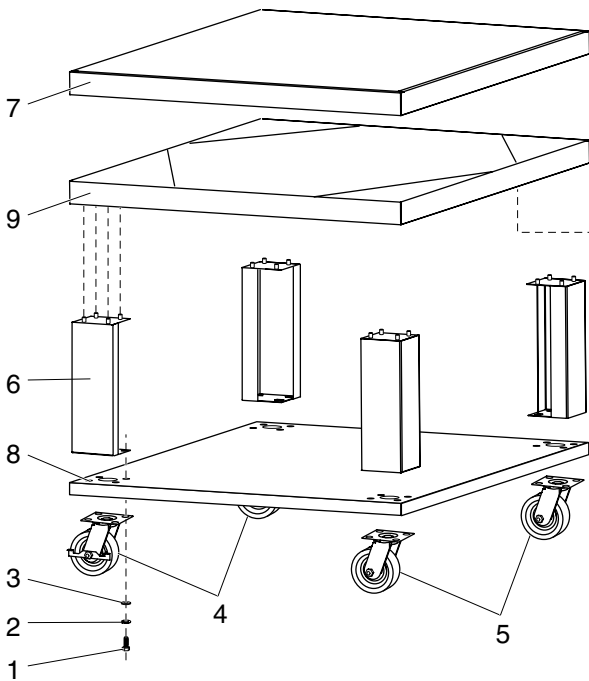
ITEM	QTY	PN	DESCRIPTION
1	2	35000-1008	IDLER ADJUSTING SCREW
2	2	35900-0020	SHAFT SUPPORT BRACKET
3	2	37000-0413	IDLER BRACKET
4	2	22034-0003	FLANGED BUSHING
5	1	48778	SHAFT, FRONT BELT IDLER
6	8	22229-0003	CONVEYOR BELT SPROCKET
7	1	46701	SHAFT, IDLER, INNER
8	2	21415-0001	WASHER, FLAT BRONZE
9	1	48777	SHAFT, BACK BELT IDLER
10	2	45377	BALL BEARING (FLANGE MOUNTED)
11	1	48849	SHAFT, DRIVE SPLIT-BELT FRONT
12	1	48835	SHAFT, DRIVE, INNER
13	1	48837	SHAFT, DRIVE SPLIT-BELT BACK
14	1	22159-0003	SPROCKET, 20 TEETH 5/8" BORE
15	1	35900-0023	BUSHING, SPROCKET, FRONT DRIVE
16	1	59817	CONVEYOR FRAME
17	4	A3333	HEX HEAD SCREW, 1/4-20X3/4 18-8
18	4	2001414	NUT, KEPS 1/4-20 ZP
19	2	50046	CHAIN, ROLLER 20 IN.
20	2	50054	CONVEYOR BELT 1/2" P X 9" X 108
21	2	48707	CRUMB PAN (VENTED)
22	—	60075	CRUMB PAN (SOLID) - OPTION
23	2	60737	COVER, BEARING
24	2	36542	LINK, MASTER - LEFT
25	2	36543	LINK, MASTER - RIGHT

PS624 SERIES OVEN INSTALLATION REQUIRED KITS AND COMPONENTS

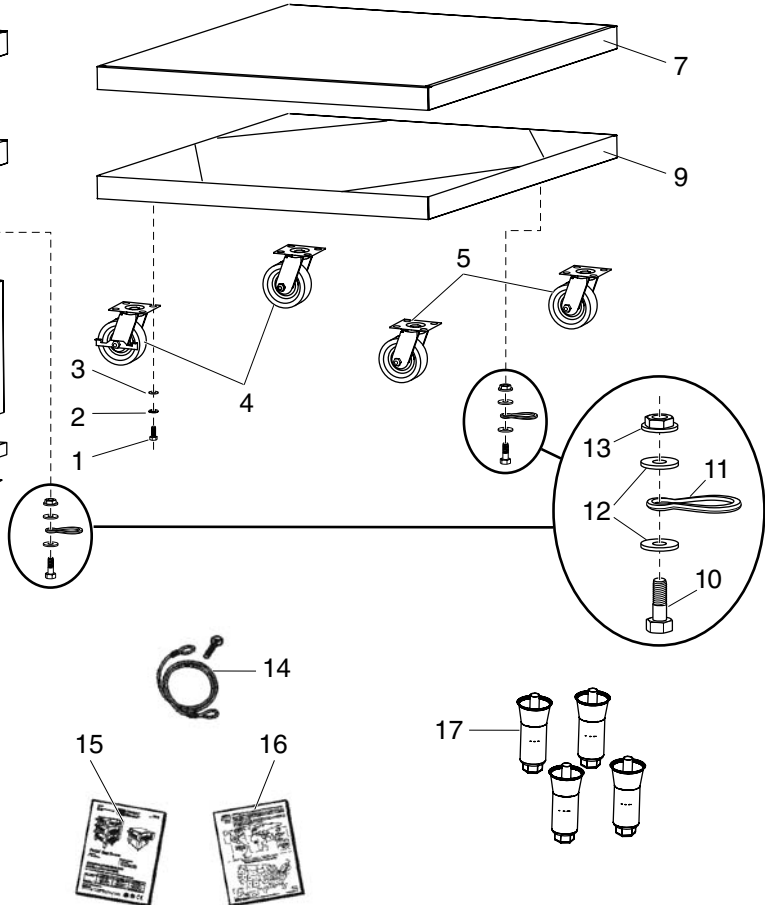
TYPE OF INSTALLATION	PS624 Single Oven Installation Kit P/N 61227 61326 (CE)	PS624 Double Oven Installation Kit P/N 61286 61327 (CE)	PS624 Single Oven Installation Kit P/N 612287 61326 (CE)	PS624 Counter Installation Kit P/N 61329
Single Oven	1			1
Double Oven		1		
Triple Oven			1	

Base Installation Components

SINGLE/DOUBLE INSTALLATION

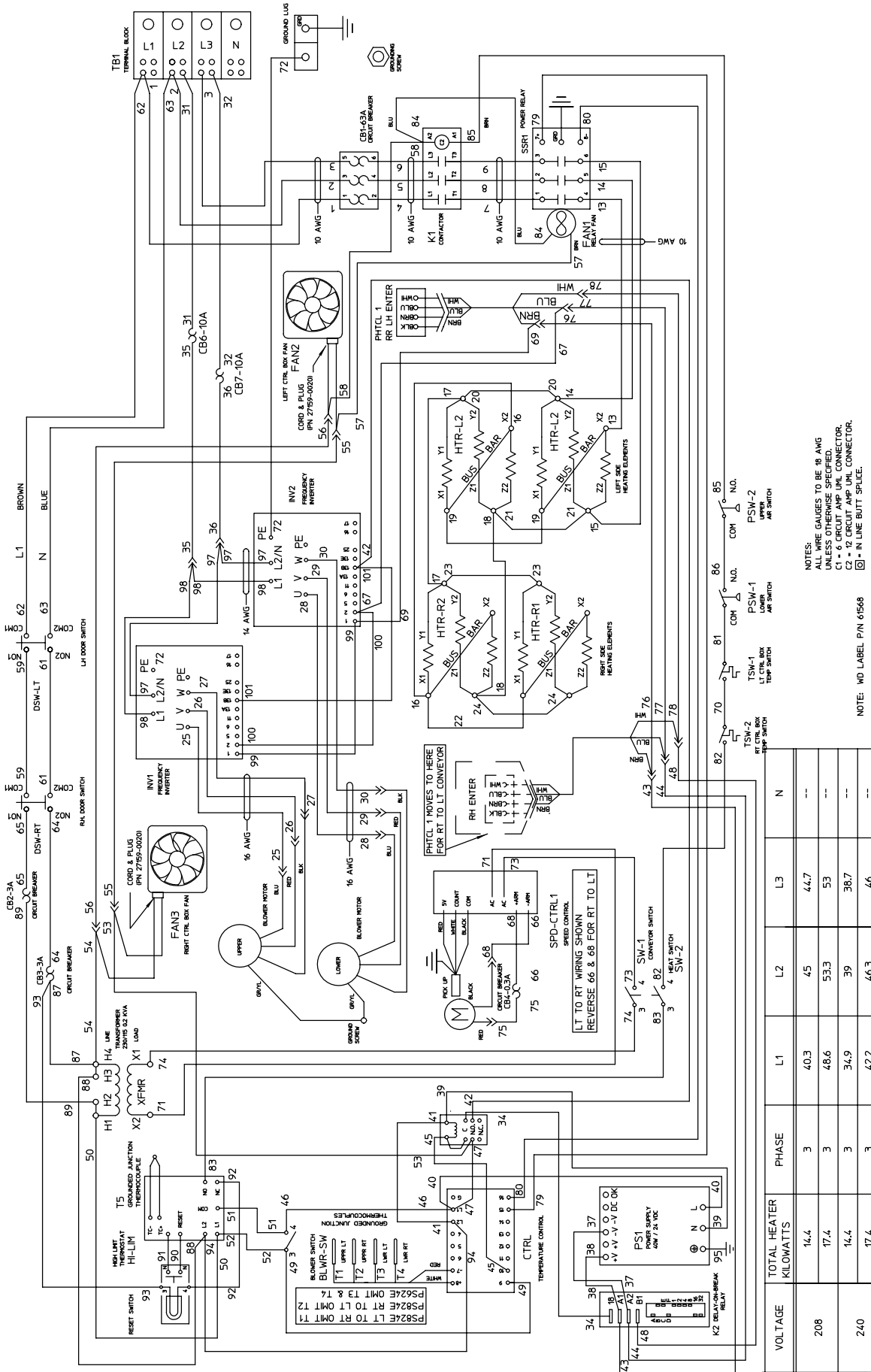


TRIPLE INSTALLATION



Parts List for Series PS624E Oven Installation Components

ITEM	SINGLE/DOUBLE INSTALLQTY	TRIPLE INSTALLQTY	PN	DESCRIPTION
1	32	16	2000531	SCR, CAP HX HD, 3/8-16X1 NP
2	32	16	21422-0001	WASHER, LOCK, SPLIT 3/8 ZP
3	32	16	21416-0001	WASHER, FLAT, SS 3/8
4	2	2	22290-0009	CASTER, SWVL W/BRAKE, FLAT PLATE
5	2	2	22290-0010	CASTER, SWVL, FLAT PLATE
6	4	0	37900-0024	WLDMT, LEG/TOP PLATE, 15.00"
7	1	1	59835	PNL, OUTER, TOP
8	1	0	61226	SHELF, SUPPORT
9	1	1	61243	ASSY, BASE
10	1	1	61832	SCREW, HEX, 5/16-18 1-1/2"
11	1	1	61833	CLIP, SPRING, 5/16" OPENING (REF ONLY)
12	2	2	B301A8847	WASHER, FLAT, 5/16 X 3/4 X 1/16
13	1	1	31239	NUT, HEX FLANGE, LOCKING, 5/16-18
14	1	1	22450-0228	DEVICE, RESTRAINING
15	1	1	61339	OWNER'S OPERATING AND INSTALLATION MANUAL
16	1	1	1002040	AUTHORIZED SERVICE AGENCY LISTING
17	4	4	22450-0028	LEGS, 6", FOR CE OVENS
	2/4	6	50040	WLDMT, EXIT TRAY (NOT SHOWN)

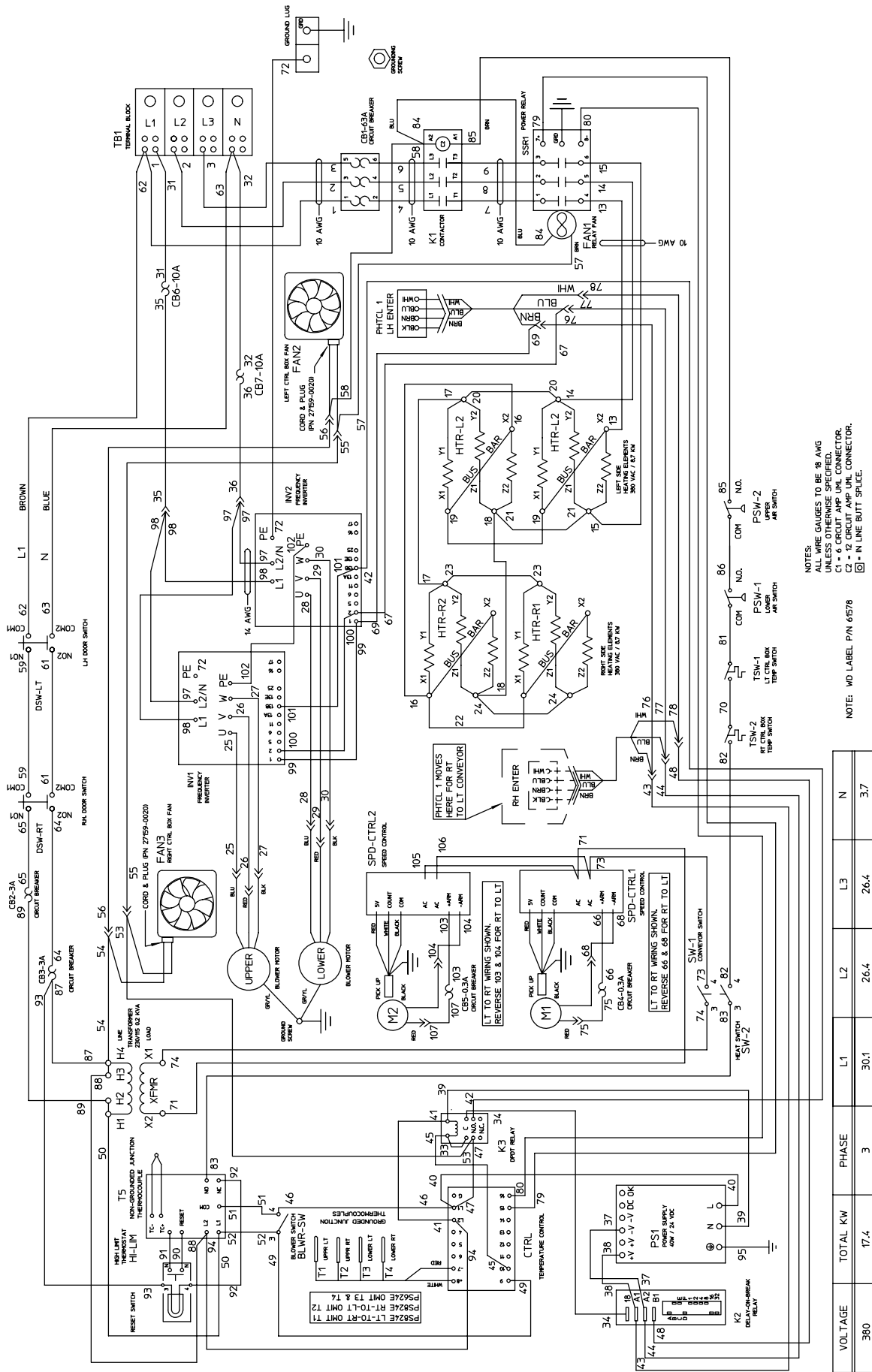


NOTES:
 ALL WIRE GAUGES TO BE 18 AWG UNLESS OTHERWISE SPECIFIED.
 C1 = 6 CIRCUIT AMP UML CONNECTOR.
 C2 = 12 CIRCUIT AMP UML CONNECTOR.
 ⊞ = IN LINE BUTT SPLICE.

NOTE: WD LABEL P/N 61568

VOLTAGE	TOTAL HEATER KILOWATTS	PHASE	L1	L2	L3	N
208	14.4	3	40.3	45	44.7	--
	17.4	3	48.6	53.3	53	--
240	14.4	3	34.9	39	36.7	--
	17.4	3	42.2	46.3	46	--

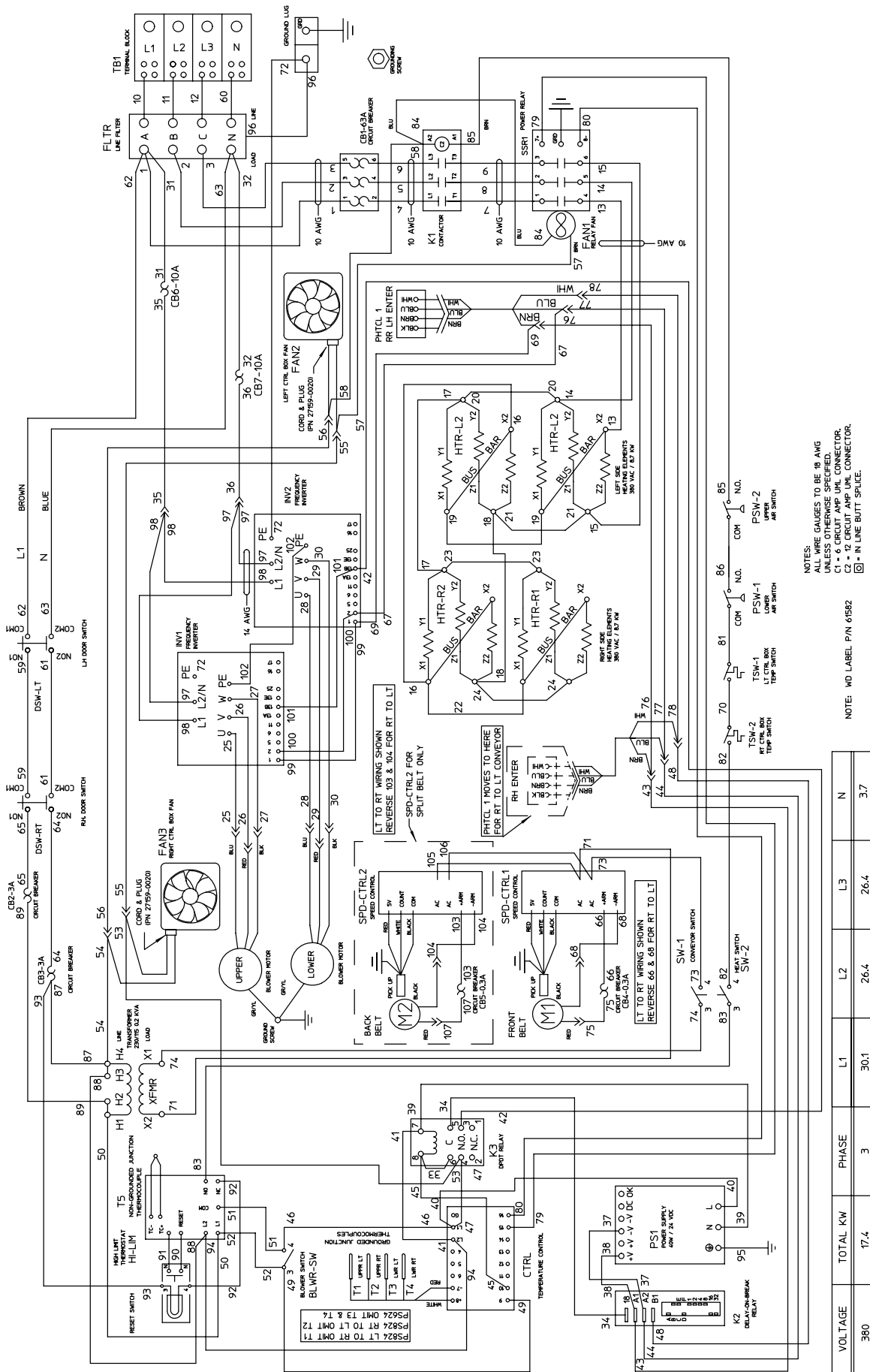
Wiring Diagram, PS624E, 208V / 240V



NOTES:
 ALL WIRE GAUGES TO BE 18 AWG UNLESS OTHERWISE SPECIFIED.
 C1 = 6 CIRCUIT AMP UML CONNECTOR.
 C2 = 12 CIRCUIT AMP UML CONNECTOR.
 [Symbol] = IN LINE BUTT SPLICE.

NOTE: WD LABEL P/N 61578

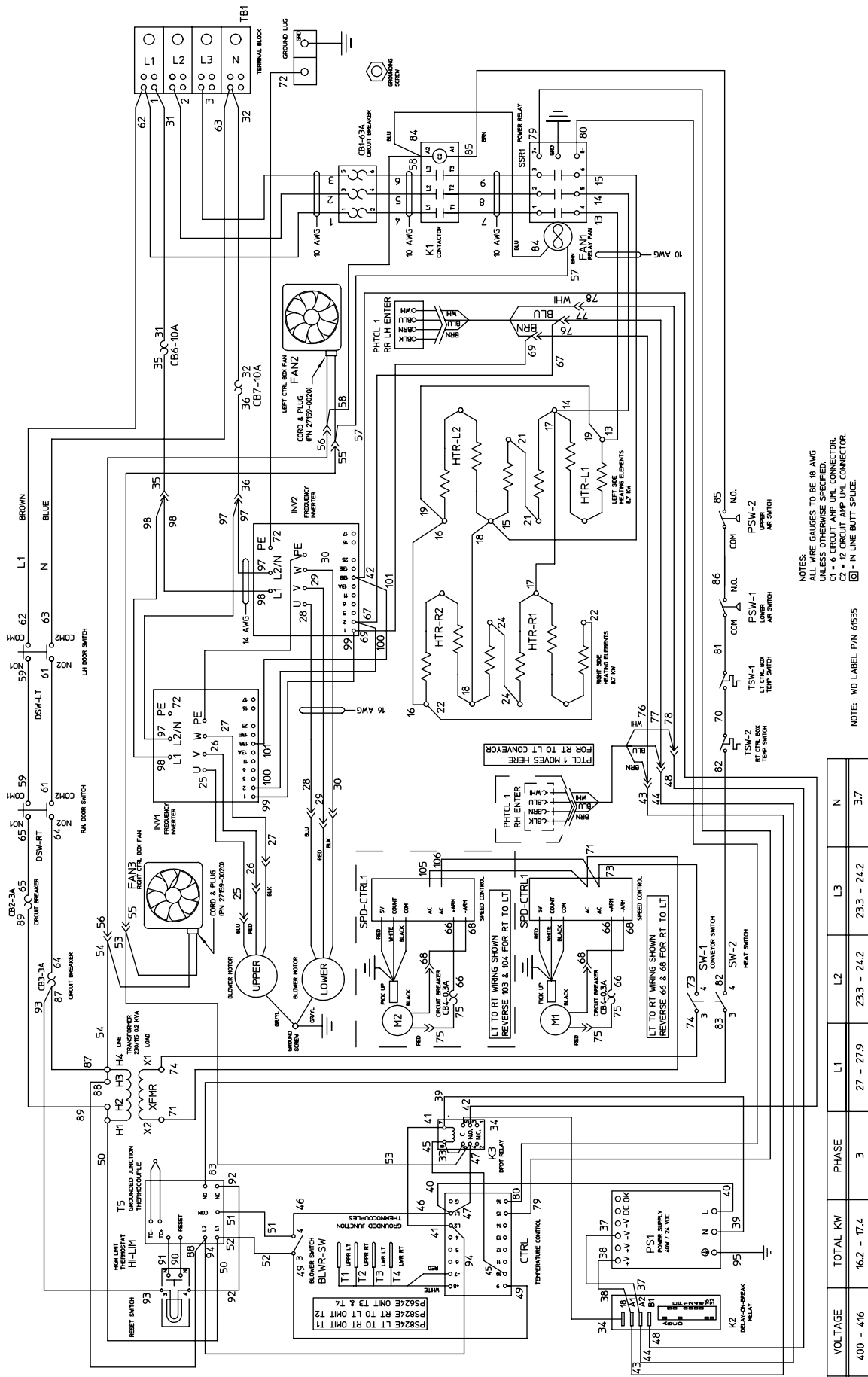
VOLTAGE	TOTAL KW	PHASE	L1	L2	L3	N
380	17.4	3	30.1	26.4	26.4	3.7



NOTES:
 ALL WIRE GAUGES TO BE 18 AWG UNLESS OTHERWISE SPECIFIED.
 C1 = 6 CIRCUIT AMP UML CONNECTOR.
 C2 = 12 CIRCUIT AMP UML CONNECTOR.
 [Symbol] = IN LINE BUTT SPLICE.

NOTE: WD LABEL P/N 61582

Wiring Diagram, 624E, 380V - CE



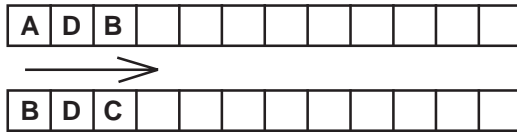
NOTES:
 1. ALL GAUGES TO BE 1/8" AVG UNLESS OTHERWISE SPECIFIED.
 C1 = 6 CIRCUIT AMP UNIL CONNECTOR.
 C2 = 12 CIRCUIT AMP UNIL CONNECTOR.
 □ = IN LINE BUTT SPICE.

NOTE: WD LABEL P/N 61535

VOLTAGE	TOTAL KW	PHASE	L1	L2	L3	N
400 - 416	16.2 - 17.4	3	27 - 27.9	23.3 - 24.2	23.3 - 24.2	3.7

Wiring Diagram, 624E, 400V / 415V

FINGER CONFIGURATION



NOTES:

Right to left is mirror image of above finger configuration

Control T/C Averaging:

Top: Right Exit

Bottom: Left & Right Entrance

Hertz Settings: Top 134

Bottom 134

A =	61493	PLATE, OUTER W/60 LT HOLES
	60568	PLATE, INNER/COL L7
	60570	WLDMT, MNF L7INVPRF BFW/SLD PLT
B =	60567	PLATE, OUTER L7
	60568	PLATE, INNER/COL L7
	61374	WLDMT, MANF L7 INV PERF BAF
C =	61493	PLATE, OUTER W/60 LT HOLES
	60568	PLATE, INNER/COL L7
	61374	WLDMT, MANF L7 INV PERF BAF
D =	61365	SPACER, FINGER