

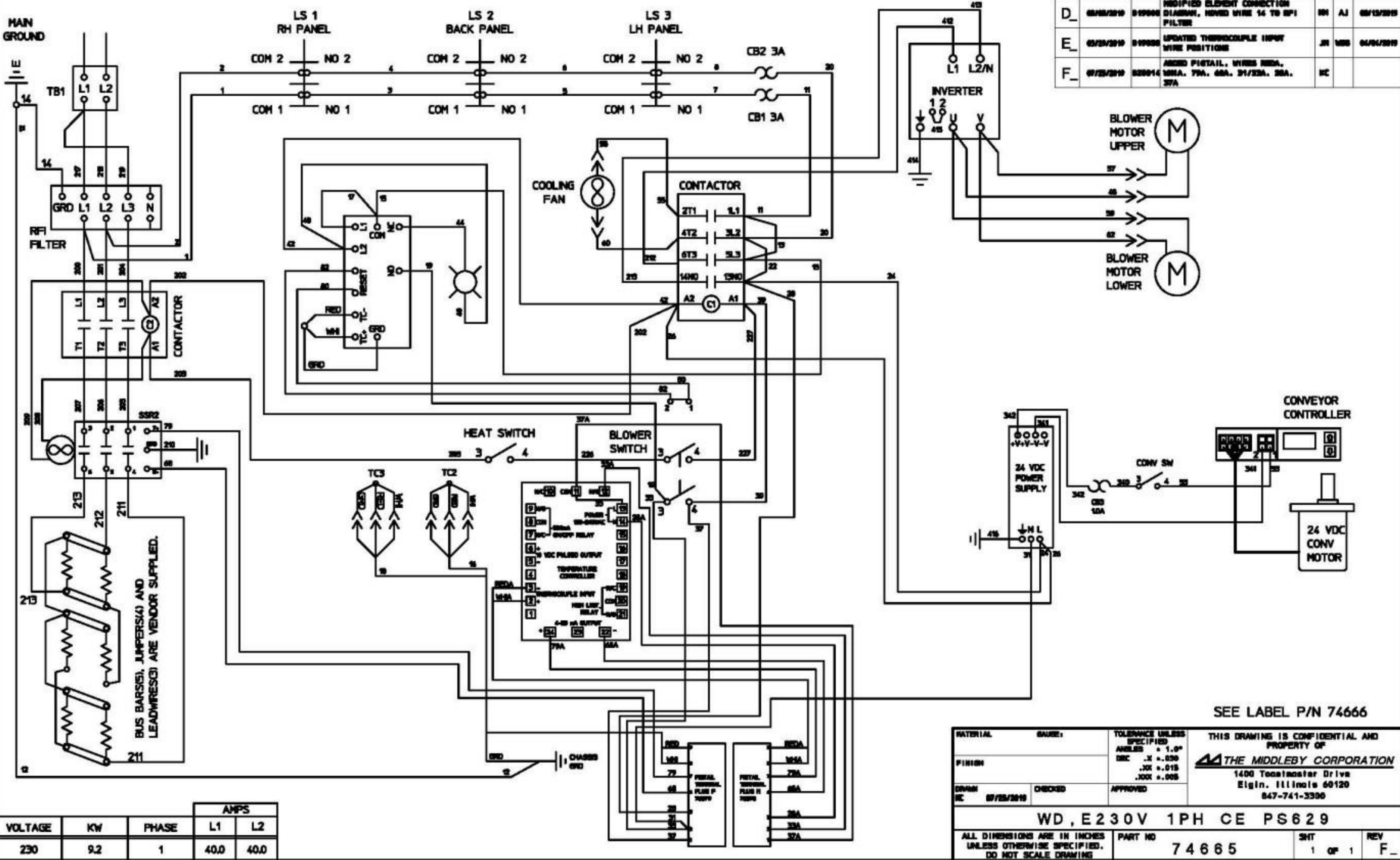
REV	DATE	ECN	REVISION DESCRIPTION	BY	CHK	DATE
D	08/02/2019	919000	MODIFIED BLOWER CONNECTION DIAGRAM, 6RD WIRE WAS WIRE 14	BN	AJ	08/13/2019
E	05/29/2019	919000	UPDATED THERMOCOUPLE INPUT WIRE POSITIONS	JN	MS	06/04/2019
F	07/25/2019	920014	ADD PIGTAIL WIRE 79A, 79A, 68A, 31/33A, 28A, 37A	NC		

VOLTAGE	KW	PHASE	AMPS		
			L1	L2	L3
208	12	3	35.3	35.3	33.3
240	12	3	30.8	30.8	28.8

SEE LABEL P/N 74630

MATERIAL	GAUGE:	TOLEANCE UNLESS SPECIFIED	THIS DRAWING IS CONFIDENTIAL AND PROPERTY OF THE MIDDLEBY CORPORATION 1400 Tecumseh Drive Elgin, Illinois 60120 847-741-3300
FINISH		ANGLES ± 1.0° DEC .X ± .030 .XX ± .015 .XXX ± .005	
DRAWN	CHECKED	APPROVED	
NC	07/25/2019		
WD, E208-240V 3PH PS629E			
ALL DIMENSIONS ARE IN INCHES UNLESS OTHERWISE SPECIFIED. DO NOT SCALE DRAWING		PART NO	SHT
		74629	1 of 1
			REV F

REV	DATE	ECN	REVISION DESCRIPTION	BY	CHK	DATE
D	08/15/2010	819008	MODIFIED ELEMENT CONNECTION DIAGRAM, MOVED WIRE 14 TO SP1 FILTER	MM	AJ	08/15/2010
E	03/24/2010	819008	UPDATED THERMOCOUPLE INPUT WIRE POSITIONS	JM	MSB	04/04/2010
F	07/25/2010	820014	ADD PISTAIL, WIRES 79A, 79A, 68A, 21/23A, 28A, 37A	EC		



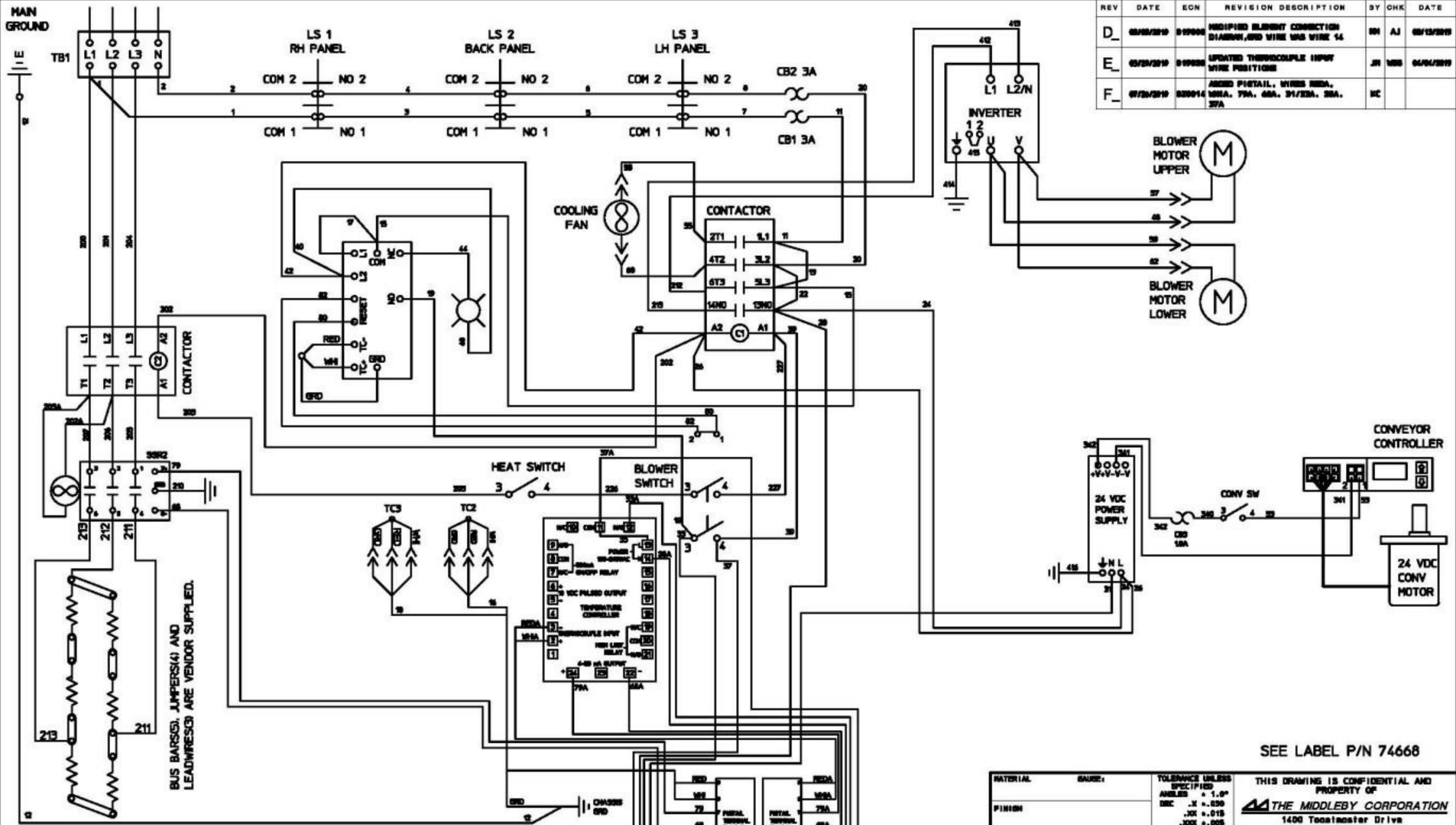
VOLTAGE	KW	PHASE	AMPS	
			L1	L2
230	9.2	1	40.0	40.0

SEE LABEL P/N 74666

MATERIAL	Gauge:	TOLERANCE UNLESS SPECIFIED	THIS DRAWING IS CONFIDENTIAL AND PROPERTY OF THE MIDDLEBY CORPORATION 1400 Tecumseh Drive Elgin, Illinois 60120 847-741-3300
FINISH		ANGLES ± 1.0° DEC .X ± .030 .XX ± .015 .XXX ± .005	
DRAWN EC	CHECKED	APPROVED	

WD, E 230V 1PH CE PS 629

ALL DIMENSIONS ARE IN INCHES UNLESS OTHERWISE SPECIFIED. DO NOT SCALE DRAWING	PART NO	SHT	REV
	74665	1 OF 1	F



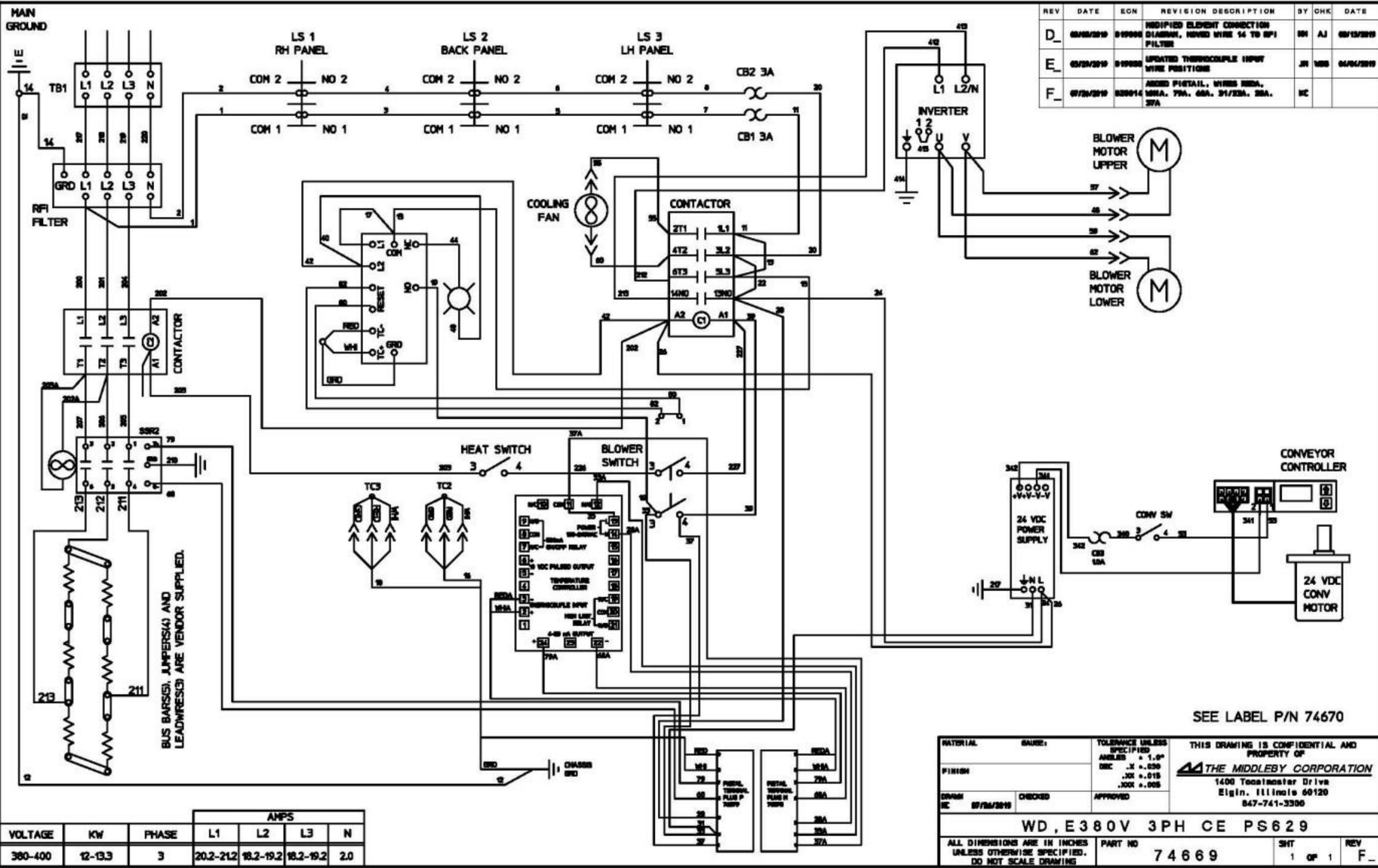
REV	DATE	ECN	REVISION DESCRIPTION	BY	CHK	DATE
D	08/08/2019	019000	MODIFIED BLOWER CONNECTION DIAGRAM, 2ND WIRE WAS WIRE 14	SM	AJ	08/13/2019
E	05/29/2019	019000	UPDATED THERMOCOUPLE INPUT WIRE POSITIONS	JM	MSB	06/04/2019
F	07/26/2019	020014	ADDED PIGTAIL, WIRES 790A, 790A, 68A, 31/33A, 38A, 37A	MC		

BUS BARS(3), JUMPERS(4) AND LEADWIRES(3) ARE VENDOR SUPPLIED.

VOLTAGE	KW	PHASE	AMPS			
			L1	L2	L3	N
380	12	3	20.2	18.2	18.2	2.0

SEE LABEL P/N 74668

MATERIAL	GAUGE:	TOLERANCE UNLESS SPECIFIED	THIS DRAWING IS CONFIDENTIAL AND PROPERTY OF THE MIDDLEBY CORPORATION 1400 Tealmaster Drive Elgin, Illinois 60120 847-741-3300
FINISH		ANGLES ± 1.0° DEC .X ± .030 .XX ± .015 .XXX ± .005	
DRAWN BY	CHECKED	APPROVED	
WD, E380V 3PH PS629			
ALL DIMENSIONS ARE IN INCHES UNLESS OTHERWISE SPECIFIED. DO NOT SCALE DRAWING		PART NO	SHT
		74667	1 OF 1
			REV
			F



REV	DATE	ECN	REVISION DESCRIPTION	BY	CHK	DATE
D	08/08/2019	819008	MODIFIED ELEMENT CONNECTION DIAGRAM, MOVED WIRE 14 TO SP1 FILTER	SM	AJ	08/13/2019
E	03/25/2019	819008	UPDATED THERMOCOUPLE INPUT WIRE POSITIONS	JM	MSB	04/04/2019
F	07/26/2019	820014	ADD PIGTAIL, WIRES 79A, 40A, 31/33A, 28A, 37A	NC		

VOLTAGE	KW	PHASE	AMPS			
			L1	L2	L3	N
380-400	12-13.3	3	20.2-21.2	18.2-19.2	18.2-19.2	2.0

MATERIAL	GRADE:	TOLERANCE UNLESS SPECIFIED	THIS DRAWING IS CONFIDENTIAL AND PROPERTY OF THE MIDDLEBY CORPORATION 1400 Tecumseh Drive Elgin, Illinois 60120 847-741-3300
FINISH		ANGLES ± 1.0° DEC .X ± .030 .XX ± .015 .XXX ± .005	
DRAWN BY	CHECKED	APPROVED	
WD, E380V 3PH CE PS629			
ALL DIMENSIONS ARE IN INCHES UNLESS OTHERWISE SPECIFIED. DO NOT SCALE DRAWING		PART NO	SHT
		74669	1 OF 1
			REV
			F