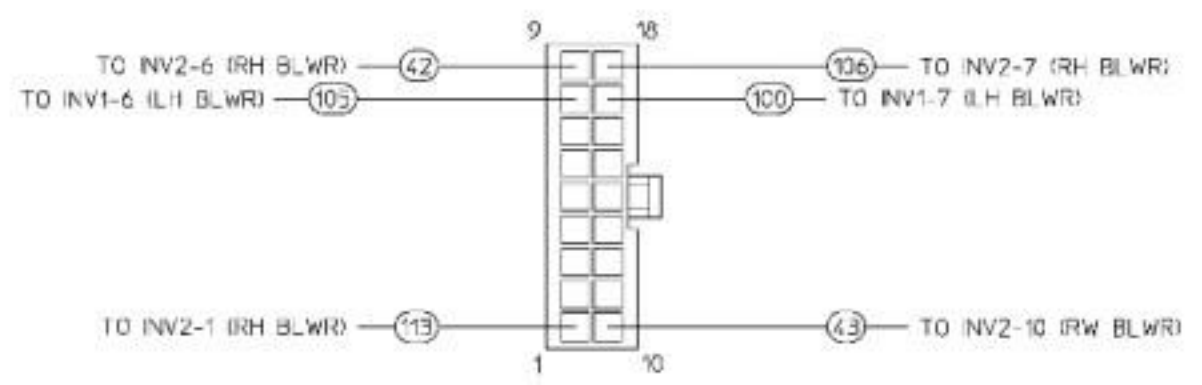
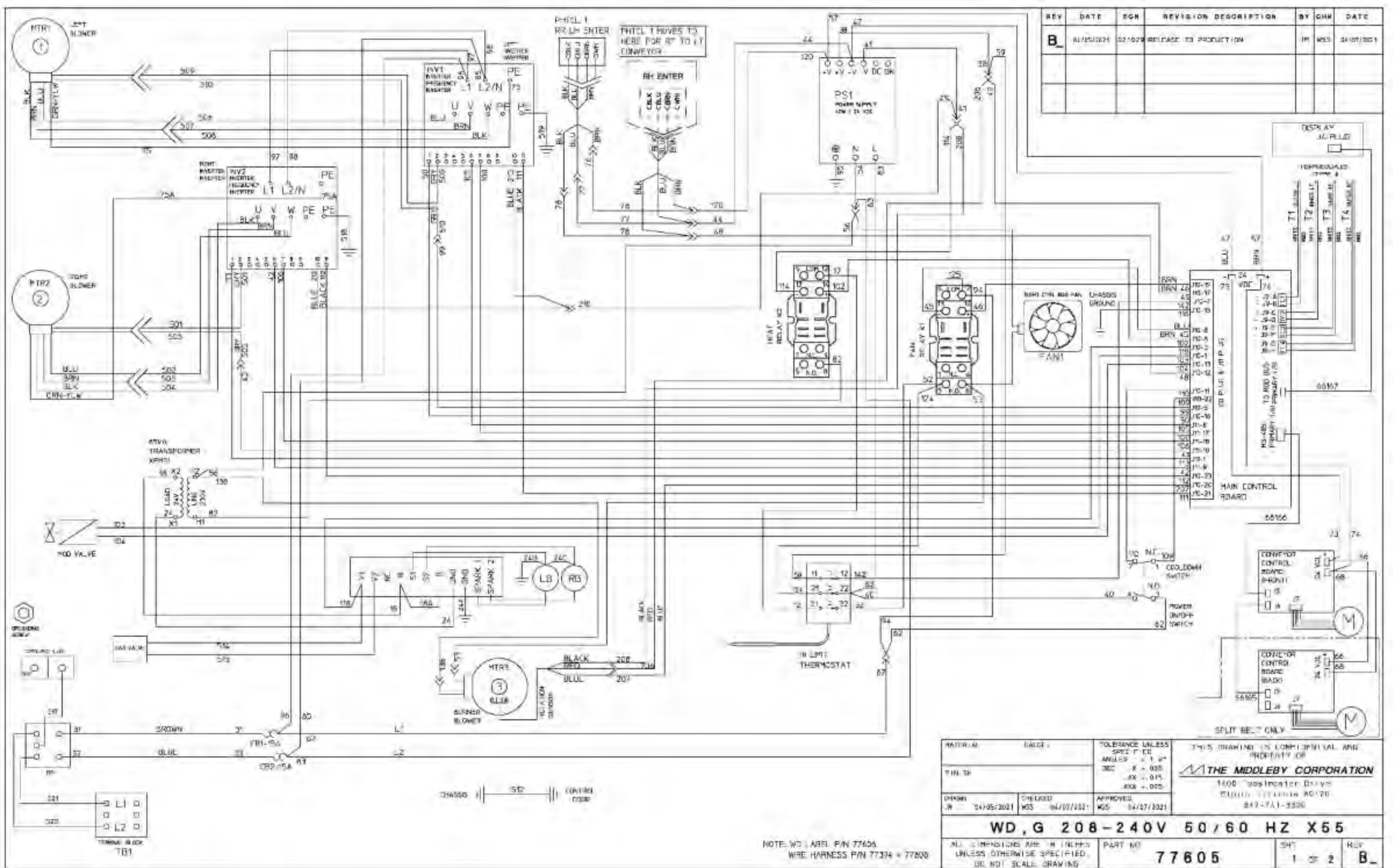


J10
 BACK OF PLUG
 (WIRE SIDE)



J11
 BACK OF PLUG
 (WIRE SIDE)

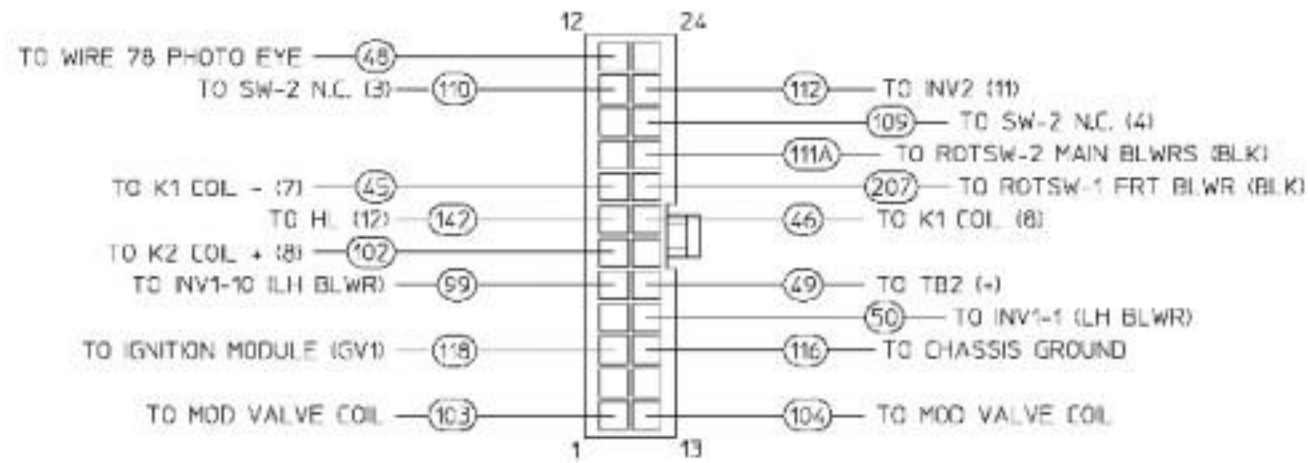
TOLERANCE UNLESS SPECIFIED ANGLES + 1.0° DEC .X +.030 .XX +.015 .XXX +.005	DRAWN JM 04/05/2021	THIS DRAWING IS CONFIDENTIAL AND PROPERTY OF THE MIDDLEBY CORPORATION 1400 Tocalmaster Drive Elgin, Illinois 60120 847-741-3300	
	CHECKED WSS 04/07/2021		
	APPROVED WSS 04/07/2021		
WD, G 208-240V 50/60 HZ X70			
ALL DIMENSIONS ARE IN INCHES UNLESS OTHERWISE SPECIFIED. DO NOT SCALE DRAWING	PART NO 76914	SH1 2 OF 2	REV C



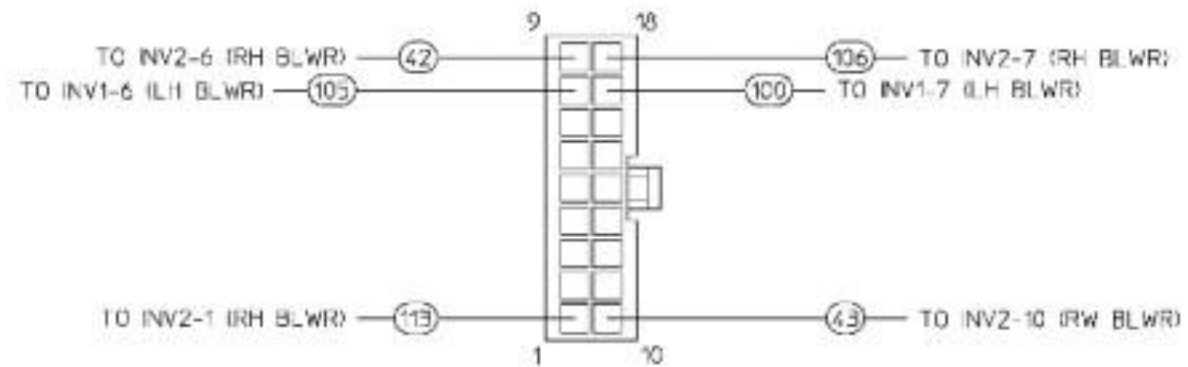
REV	DATE	BY	REVISION DESCRIPTION	DATE
B	01/25/2021	WSS	RELEASE TO PRODUCTION	04/07/2021

MATERIAL		DATE		TOLERANCE UNLESS SPECIFIED		THIS DRAWING IS CONFIDENTIAL AND PROPERTY OF	
FINISH				ANGLES ± 1°		THE MIDDLEBY CORPORATION	
DRAWN		CHECKED		APPROVED		1400 Cassinette Drive	
JW 04/05/2021		WSS 04/07/2021		WGS 04/07/2021		COLUMBIANA, MISSISSIPPI	
						847-741-3500	
WD, G 208-240V 50/60 HZ X55							
ALL DIMENSIONS ARE IN INCHES UNLESS OTHERWISE SPECIFIED, OR NOT SCALE DRAWING				PART NO		SHT	
				77605		1 OF 2	
						B	

NOTE: WIRE LABEL P/N 77605
WIRE HARNESS P/N 77394 + 77600



J10
 BACK OF PLUG
 (WIRE SIDE)



J11
 BACK OF PLUG
 (WIRE SIDE)

TOLERANCE UNLESS SPECIFIED ANGLES + 1.0° DEC .X +.030 .XX +.015 .XXX +.005	DRAWN JM 04/05/2021	THIS DRAWING IS CONFIDENTIAL AND PROPERTY OF THE MIDDLEBY CORPORATION 1400 Toussaint Drive Elgin, Illinois 60120 847-741-3300
	CHECKED WSS 04/07/2021	
	APPROVED WSS 04/07/2021	
WD, G 208-240V 50/60 HZ X55		
ALL DIMENSIONS ARE IN INCHES UNLESS OTHERWISE SPECIFIED. DO NOT SCALE DRAWING	PART NO 77605	SHIT 2 OF 2
		REV B