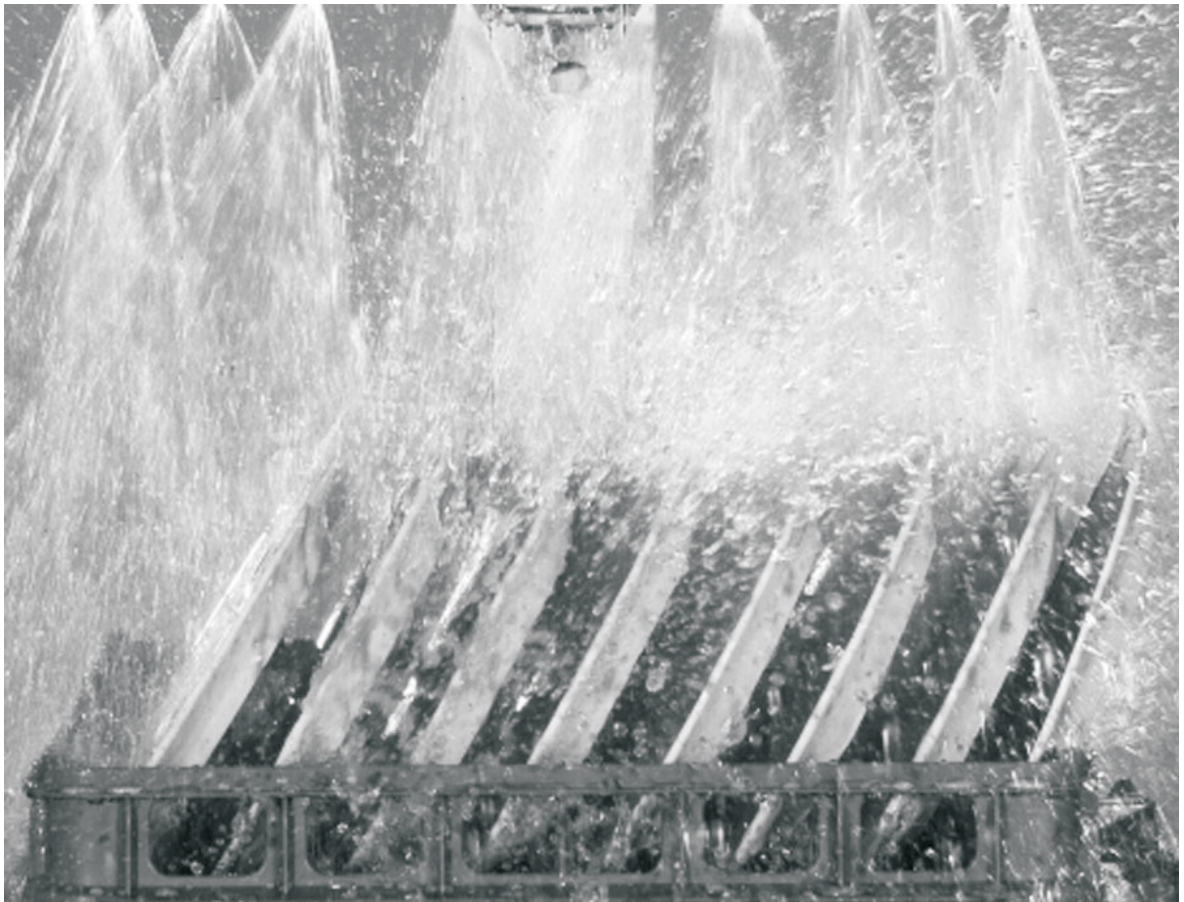


# Spare Parts List



## Universal Utensil Washer

FV 250.2      208-230V / 460V / 60HZ 3P / MIKE 2





# FV 250.2

## Contents:

01.36	Wash Pump
03.22	Final Rinse System Lateral
03.26	Final Rinse System
03.27	Wash System
04.27	Solenoid Valve
06.07	Level Control
08.51	Incorporated Boiler
09.11	Tank Heating
10.14	Dosing Units
11.75	Electronic Control 208-230V
11.76	Electronic Control 460V
13.31	Component Blocks/Parts
18.09	Drain Pump
22.12	Booster Pump
24.07	Air Gap
29.07	Wash Arm Drive

## LEGEND KEY FOR PARTS

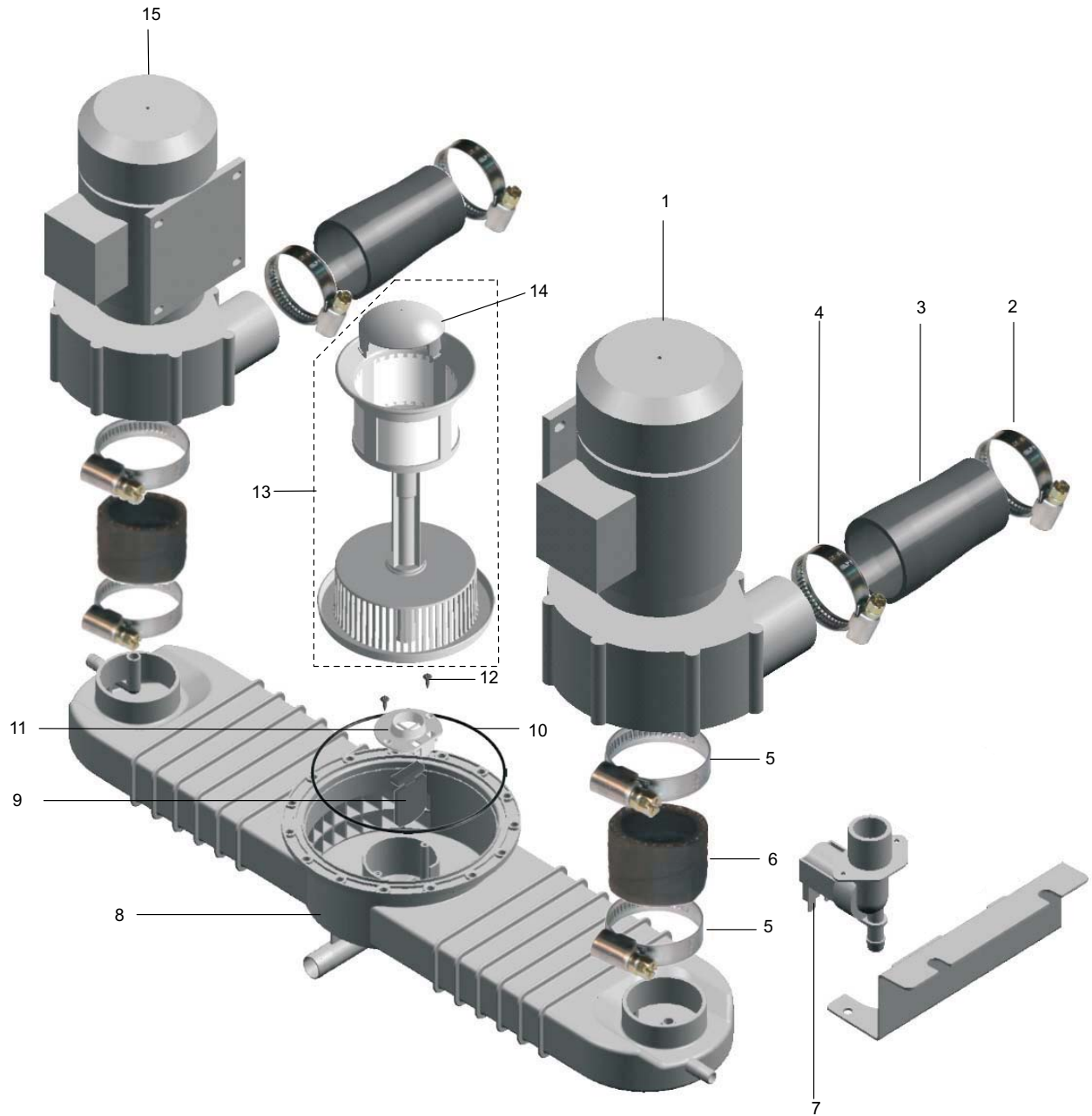
\* / V WE RECOMMEND HAVING THESE PARTS IN STOCK

V WEAR AND TEAR PART

WE RESERVE THE RIGHT TO CHANGE EXECUTION AND CONSTRUCTION OF THESE PARTS.

MEIKO USA Inc.  
917 Airpark Center Drive  
Nashville, TN 37217  
USA  
Toll Free (800) 55-MEIKO  
FAX (615) 399-6620  
[www.meiko.us](http://www.meiko.us)  
[Info@meiko.us](mailto:Info@meiko.us)

# 01.36 WASH PUMP



## 01.36 WASH PUMP



POS	PART NO.	DESCRIPTION
1 *	9603686	WASH PUMP 2.2 KW CPL. <u>200-230V (RIGHT)</u>
1 *	9621561	WASH PUMP 2.2 KW CPL. <u>460V (RIGHT)</u>
V	9541785	SLIDING SEAL CPL.
*	9541786	PACKING MOTOR SHAFT
*	9541787	PUMP HOUSING
	9541788	PUMP LID
*	9547742	PUMP WHEEL 60HZ 0105
*	9541790	PACKING PUMP HOUSING
*	9541791	O-RING 12X2.5
2	9546093	HOSE WIRE CLAMP 70-90
3 *	9600818	HOSE CONNECTION
4	9546094	HOSE WIRE CLAMP 80-100
5	9513277	HOSE WIRE CLAMP 70-90
6 *	9543879	HOSE CONNECTION
7	9544640	SOLENOID VALVE
8	9600932	SUCTION SYSTEM
9 *	9601543	FLAP
10 *	9600791	O-RING
11	9600744	DRAIN HOUSING
12	0330022	SCREW 4.2X13
13	9612087	FILTER CPL.
14	9607788	COVERING CAP
15 *	9603682	WASH PUMP 2.2 KW CPL. <u>200-230V (LEFT)</u>
15	9621556	WASH PUMP 2.2 KW CPL. <u>460V (LEFT)</u>
*	9541785	SLIDING SEAL CPL.
*	9541786	PACKING MOTOR SHAFT
*	9541787	PUMP HOUSING
	9541788	PUMP LID
*	9547742	PUMP WHEEL 60 HZ 0105
*	9541790	PACKING PUMP HOUSING
*	9541791	O-RING 12X2.5



9541790

9541786 (KIT)

Please note that the pump housing bolts must be tightened in 2 stages. First they must be tightened to 30 in/lbs. Then they are tightened to the final torque of 60 in/lbs (5 ft/lbs).

9541788

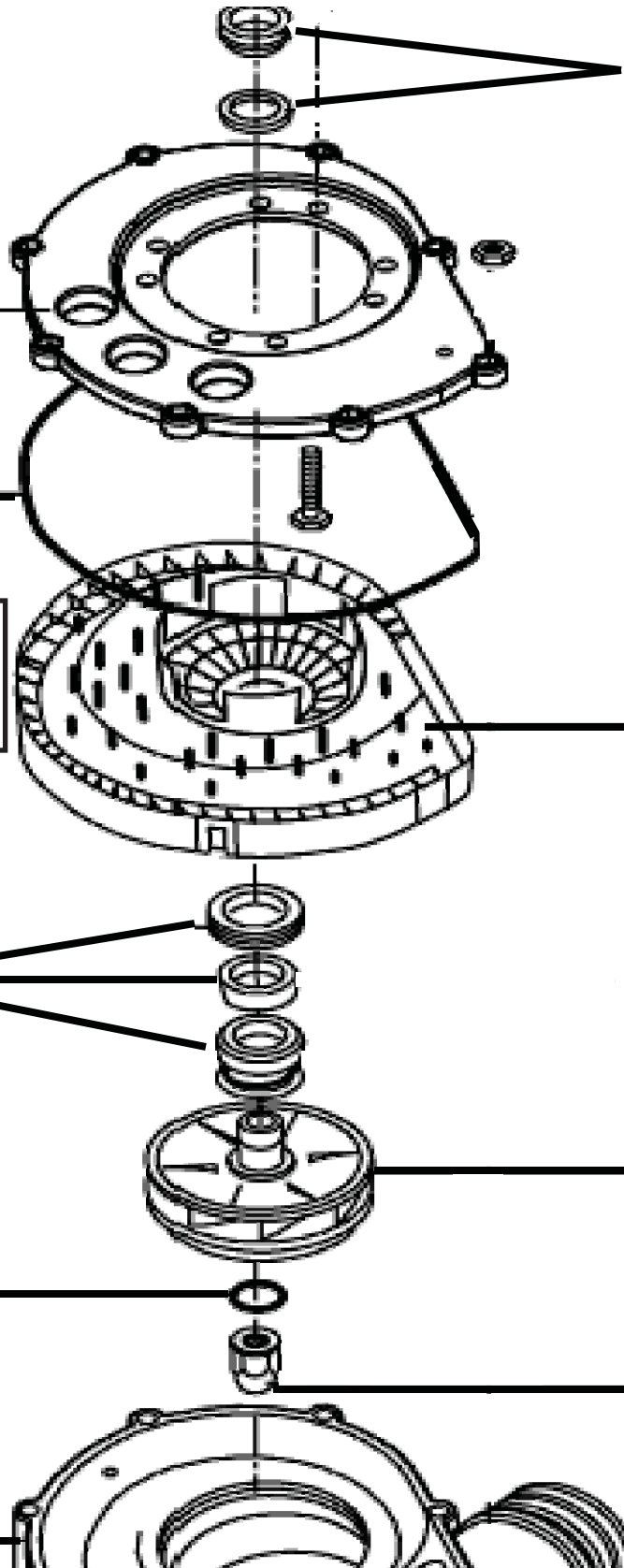
9541785 (KIT)

9547742

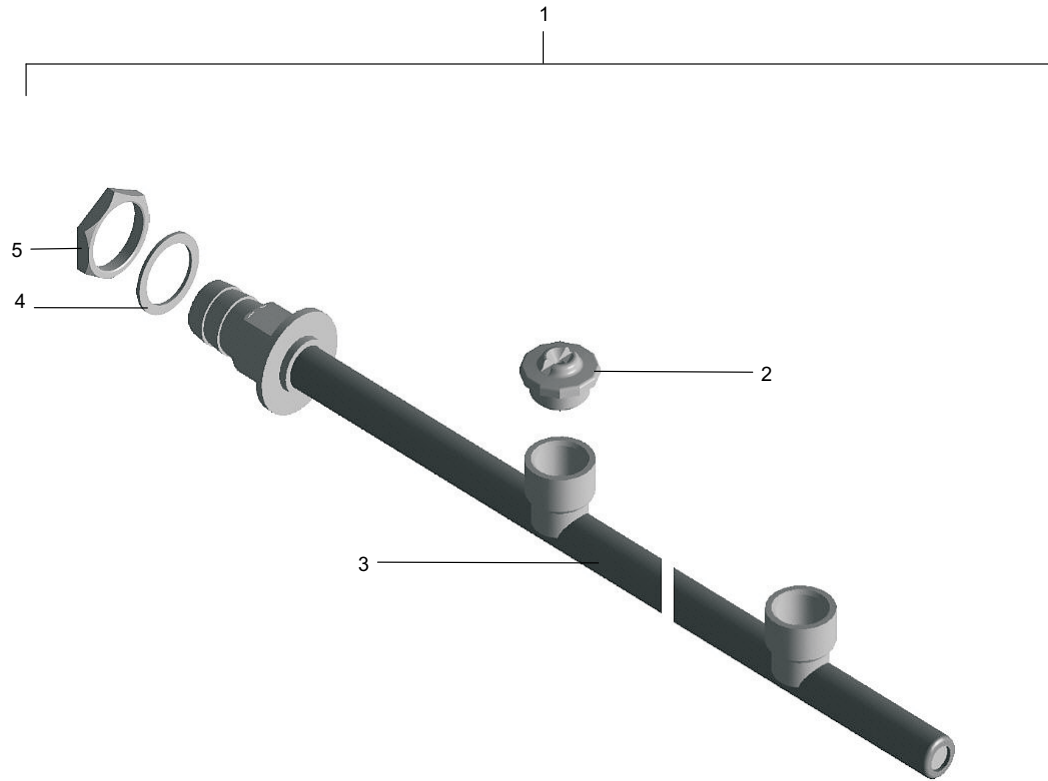
9541791

9541793

9541787



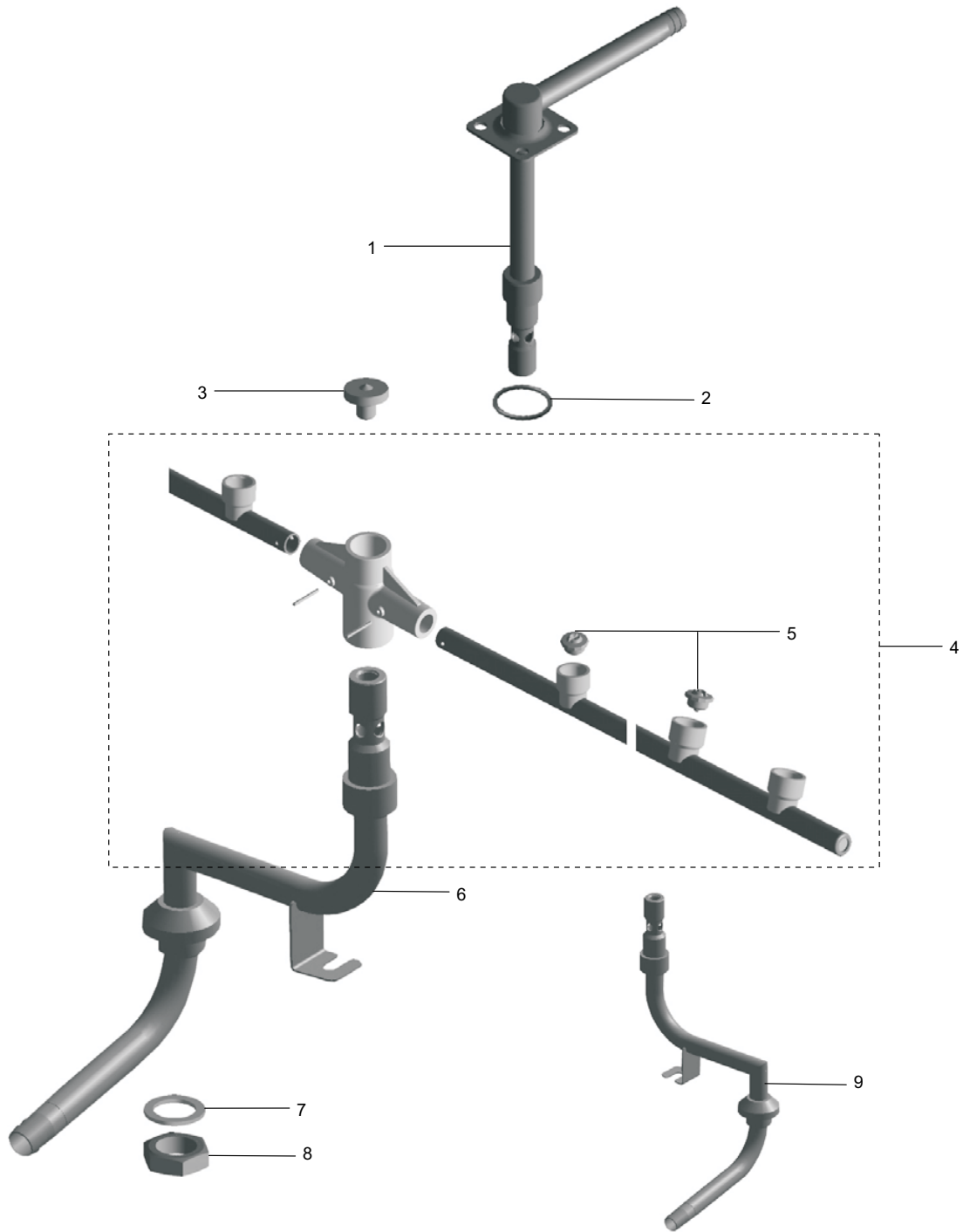
## 03.22 FINAL RINSE SYSTEM LATERAL



POS	PART NO.	DESCRIPTION
-----	----------	-------------

1	9680282	FINAL RINSE SYSTEM LATERAL
2 V	9517406	FINAL RINSE NOZZLE CPL.
3	9680262	FINAL RINSE PIPE
4 *	0408238	PACKING
5	8660239	HEXAGON NUT 3/8"

**03.26 FINAL RINSE SYTEM**

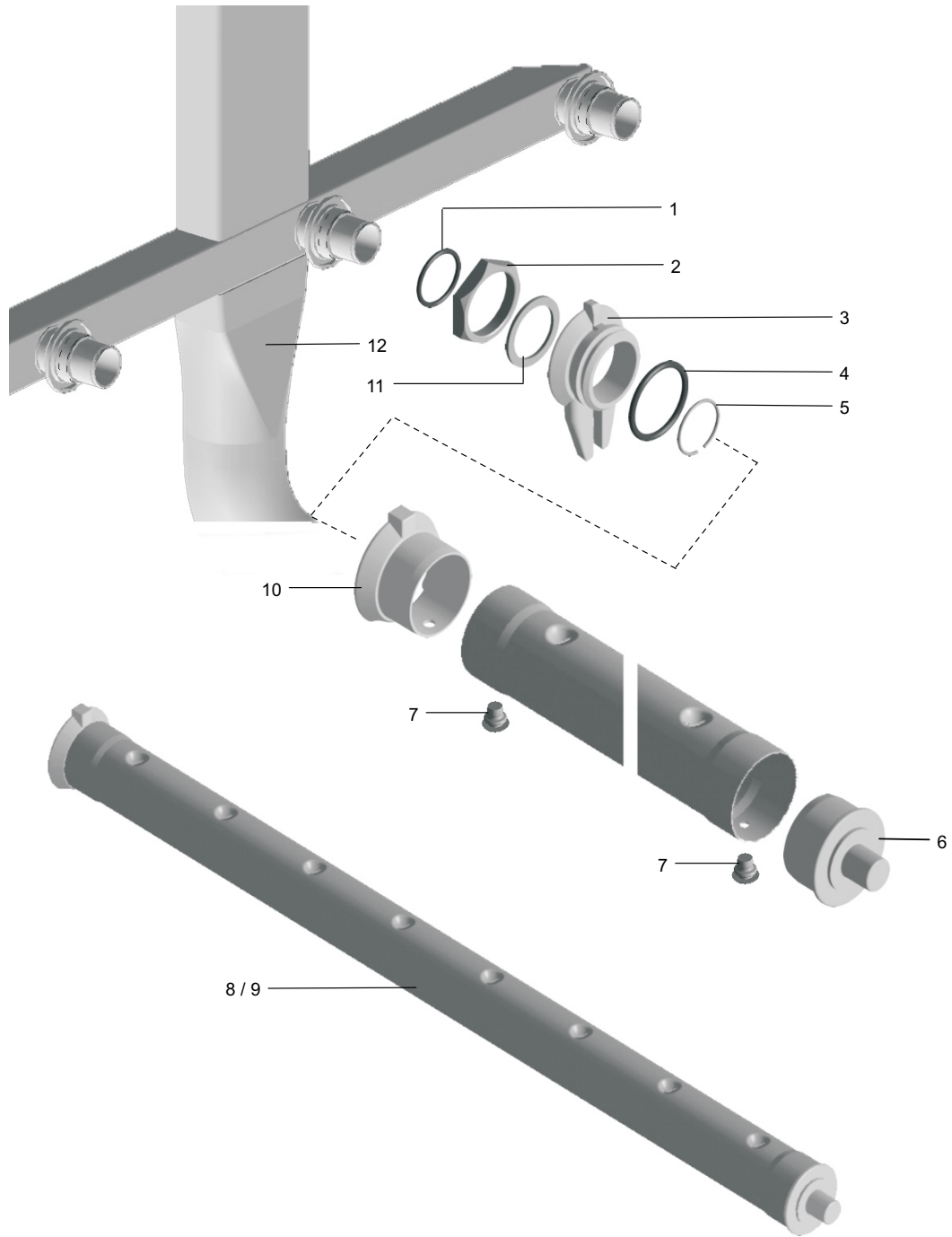


## 03.26 FINAL RINSE SYTEM



POS	PART NO.	DESCRIPTION
1	9600853	UPPER ROTATING ARM CENTER
2 *	0401018	O-RING 22X3.5
3 *	0310010	KNURLED SCREW
4	9679621	FINAL RINSE ARM CPL.
5 *	9517406	FINAL RINSE NOZZLE CPL.
6	9601011	LOWER ROTATING ARM CENTER RIGHT
7 *	0401066	O-RING 22X3
8	8660046	HEXAGON NUT ½"
9 *	9601035	LOWER ROTATING ARM CENTER LEFT

**03.27 WASH SYSTEM**

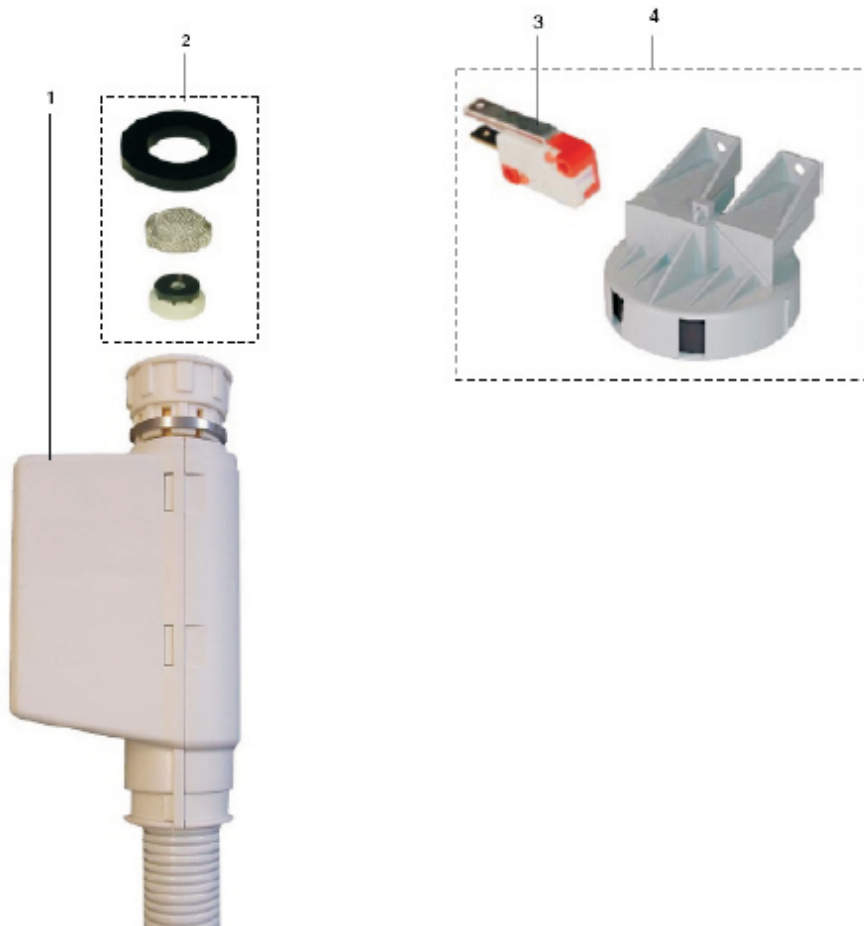




## 03.27 WASH SYSTEM

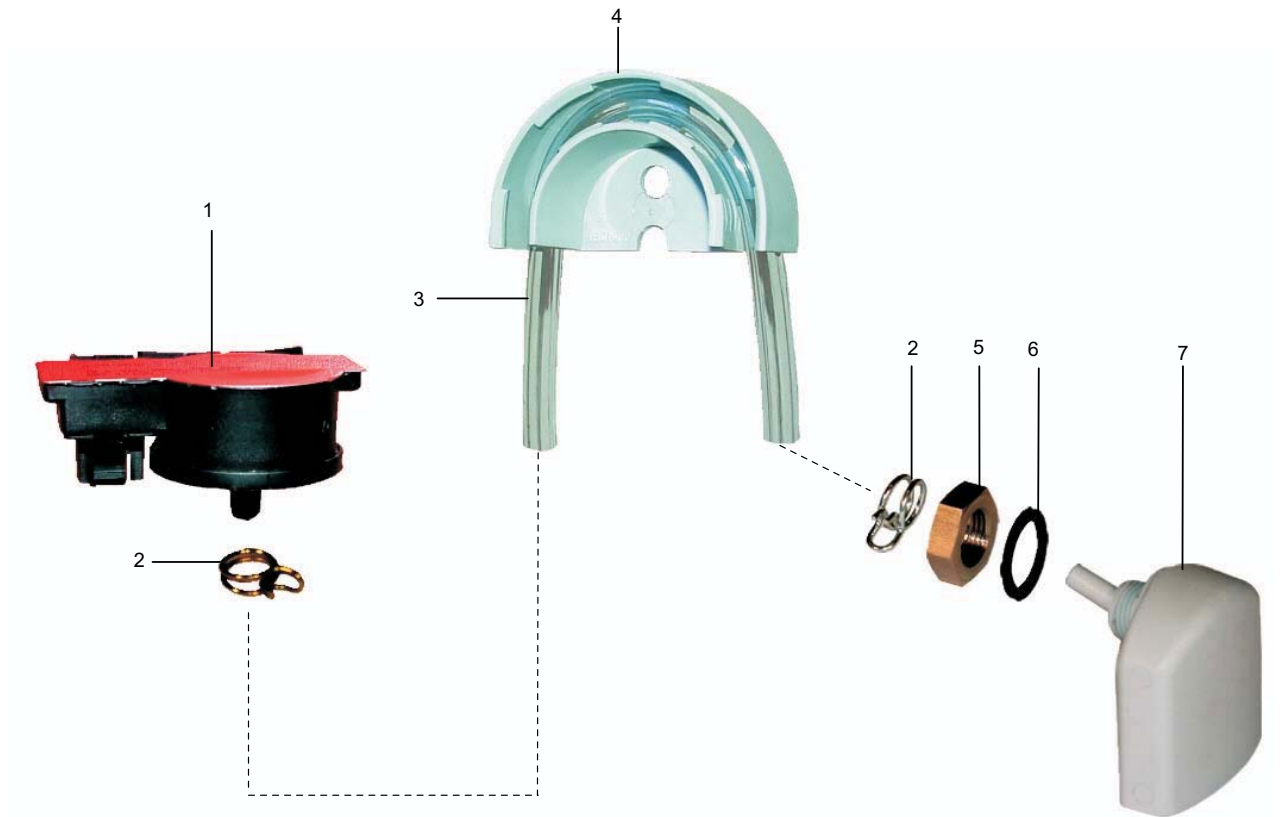
POS	PART NO.	DESCRIPTION
1 *	9601007	OORING
2	9600765	HEXAGON NUT
3 *	9600764	CARRIER
4 *	0401029	O-RING
5 *	9600784	SNAP RING
6 *	9600446	CLOSING CAP
7 *	9600832	BLIND RIVET
8	9629170	UPPER WASH ARM
9	9629169	LOWER WASH ARM
10	9600763	CLUTCH
11	9600453	DISK
12	9609040	ASCENDING PIPE

## 04.27 SOLENOID VALVE



POS	PART NO.	DESCRIPTION
1 *	9604362	AQUASTOP SYSTEM 24VDC L = 1800MM
2 *	9617744	AQUASTOP REPAIR KIT
3 *	9622932	MICROSWITCH
4 *	9622935	GROUND FLOAT SWITCH CPL.

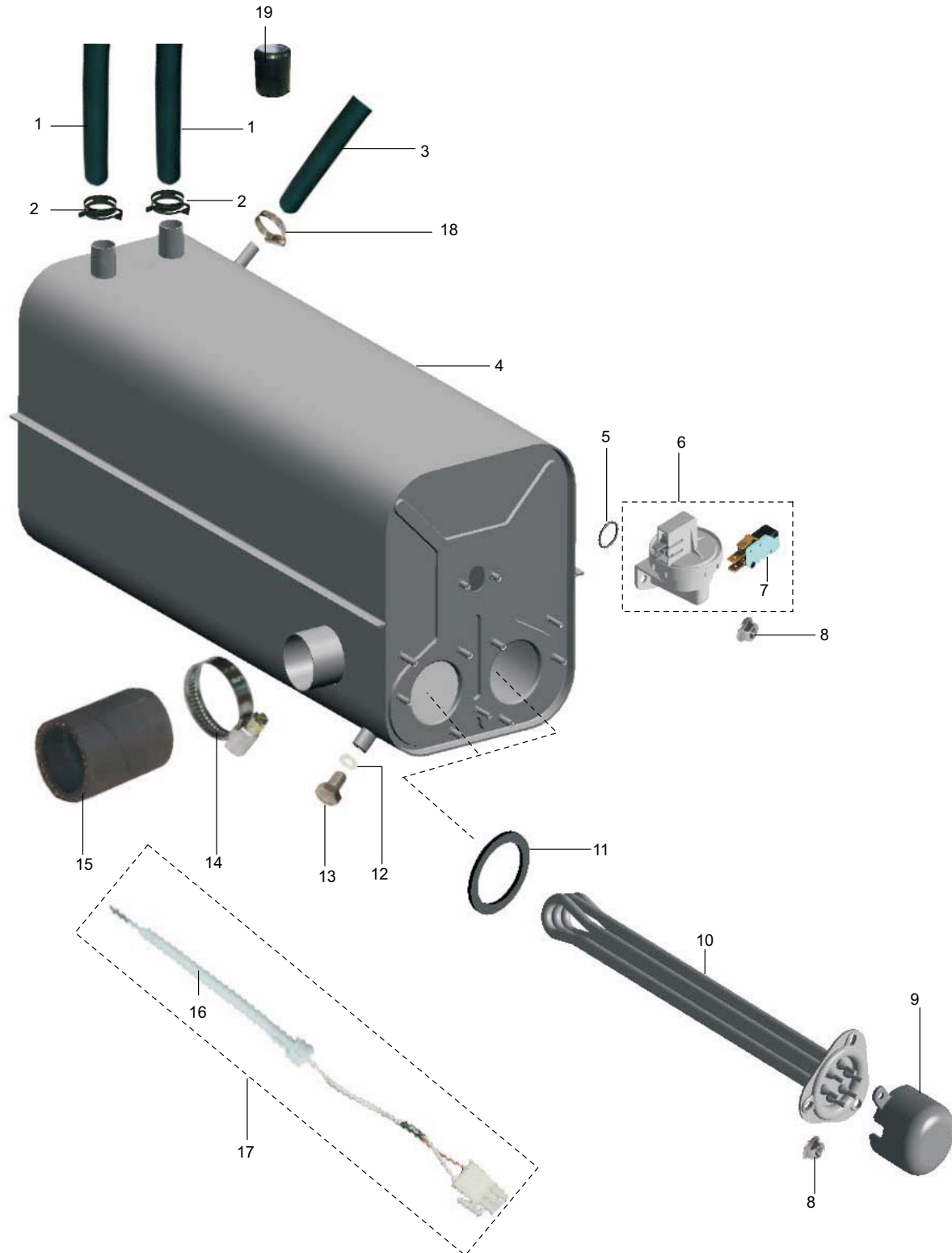
## 06.07 LEVEL CONTROL



POS	PART NO.	DESCRIPTION
-----	----------	-------------

1 *	9537961	LEVEL SWITCH
2 *	9500045-H	HOSE WIRE CLAMP YELLOW
3 *	0260006	HOSE TRANSPARENT 05
4	9601265	HOSE BRACKET
5	9515957	NUT 3/8"
6 *	9515964	PACKING
7 *	9515955	AIR TRAP

# 08.51 INCORPORATED BOILER

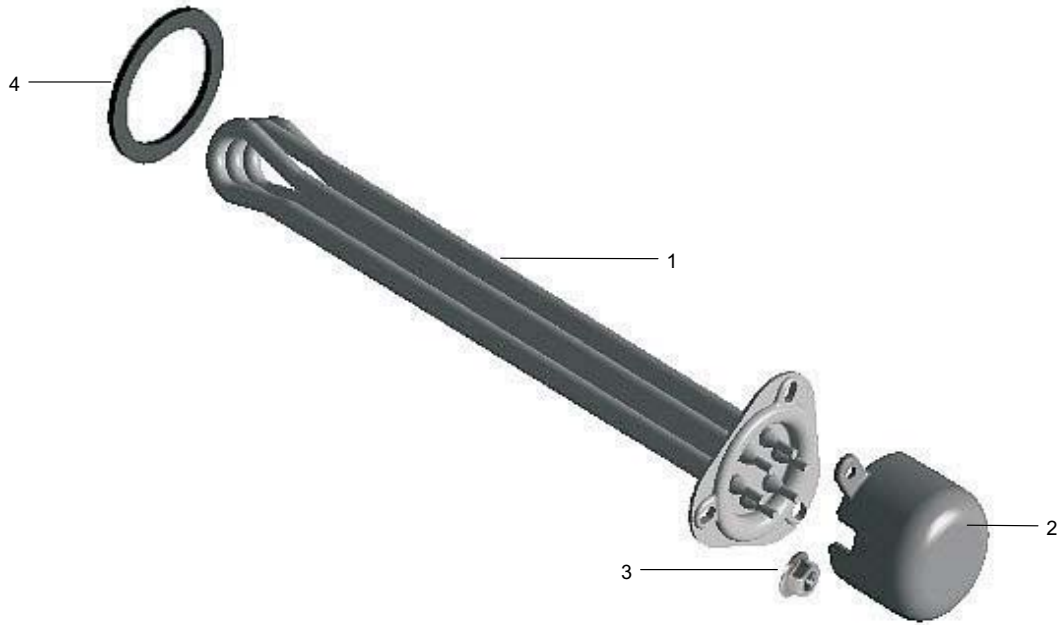


# 08.51 INCORPORATED BOILER



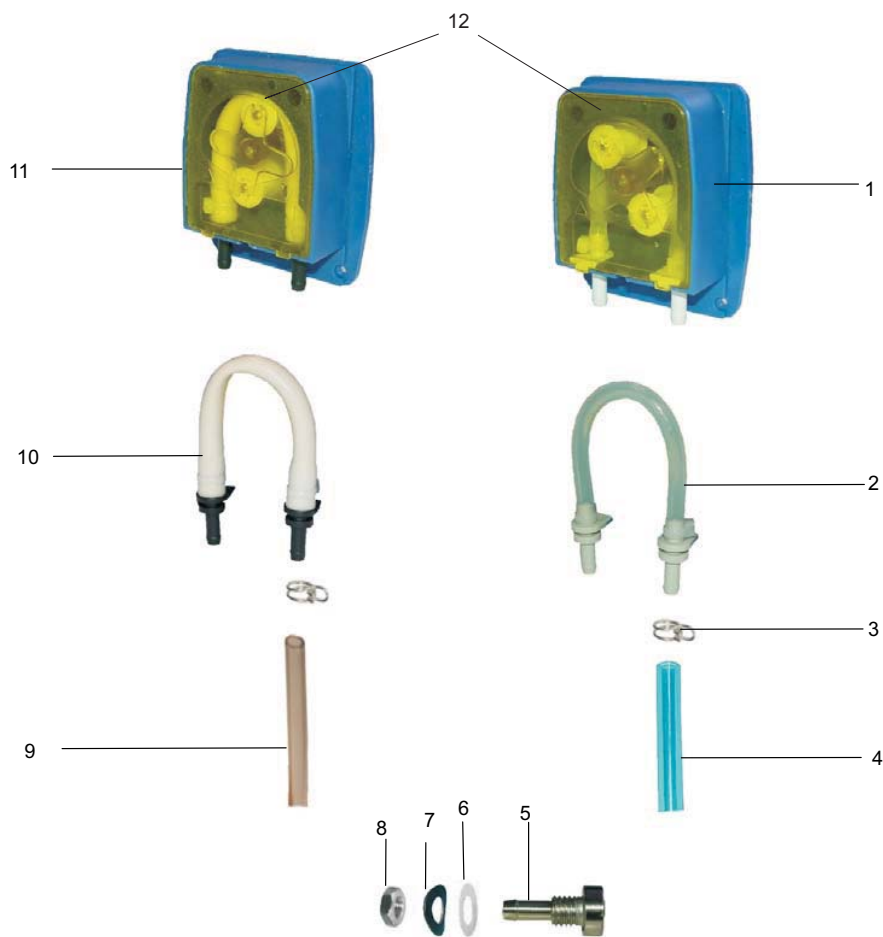
POS	PART NO.	DESCRIPTION
1 *	9608600	HOSE CPL. 1/2"
2	9607418	HOSE CLAMP TAPE 021
3	9608607	HOSE CPL. 3/8"
4	9604799	BOILER
5 *	0401014	O-RING 18X2
6 *	9622898	LEVEL SWITCH CPL.
7 *	0122103	] MICROSWITCH
8	0335008-H	NUT M5
9	0620312	CLOSING CAP
10 *	9546194	HEATING ELEMENT 7.5 KW WITH THERMAL PROTECTION FOR 208-230V
*	9546195	HEATING ELEMENT 6 KW WITH THERMAL PROTECTION FOR 208-230V
*	9546196	HEATING ELEMENT 9 KW WITH THERMAL PROTECTION FOR 208-230V
11 *	0101176	HEATING ELEMENT PACKING
12 *	0408001	PACKING 8X17X1.5
13	0302006-H	SCREW M8X15
14	0233046	HOSE WIRE CLAMP 32-50
15	9600820	HOSE
16	9639301	CABLE CLIP
17	9640339	TEMPERATURE PROBE ASSEMBLY
	9639363	TEMPERATURE PROBE
18	0233035	HOSE WIRE CLAMP 12/20
19	9609357	CLOSING CAP ONLY FOR DV270.2, FV130.2, AND FV250.2

## 09.11 TANK HEATING



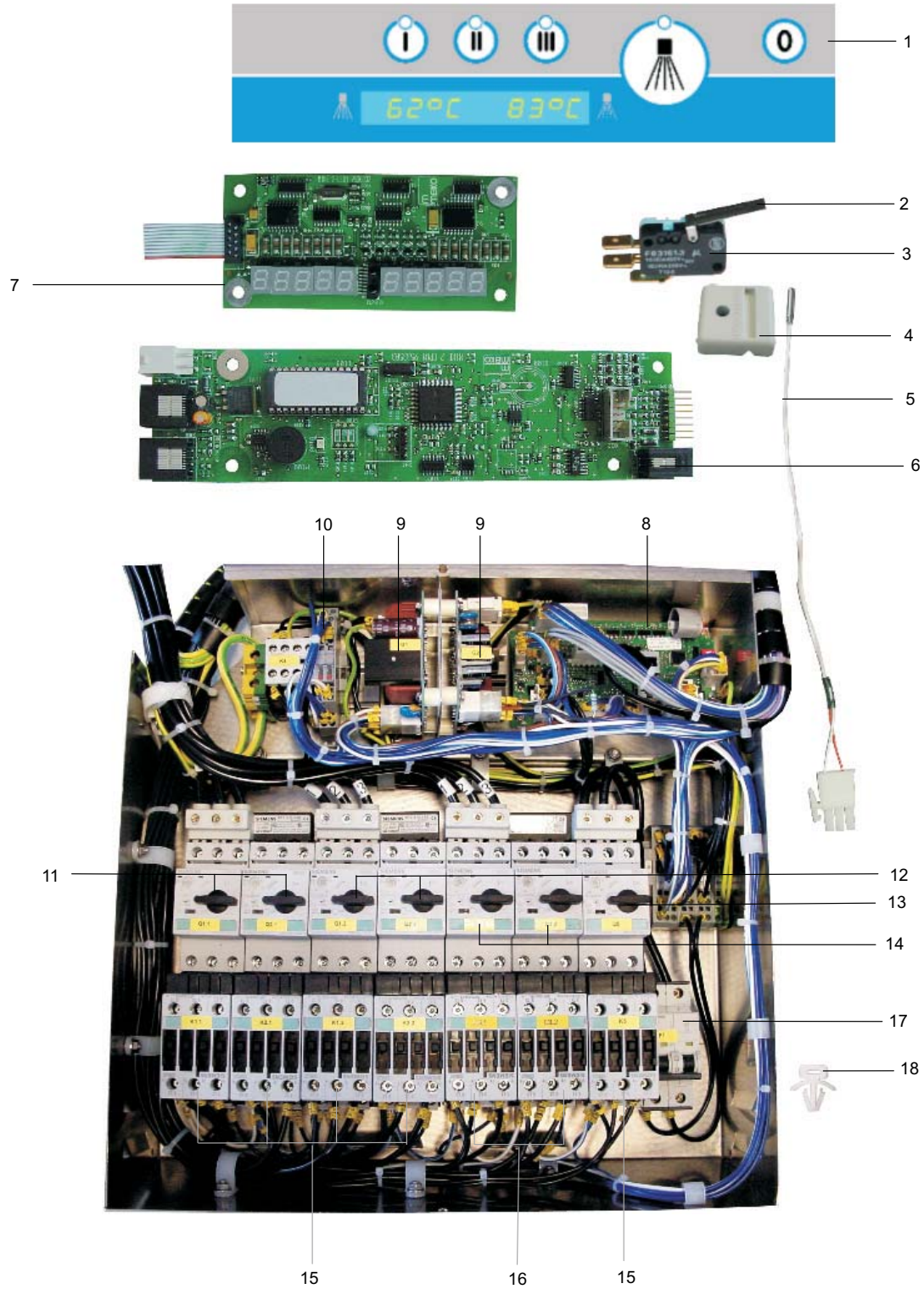
POS	PART NO.	DESCRIPTION
1 *	9546195	HEATING ELEMENT 6 KW WITH THERMAL PROTECTION
2	0620312	CLOSING CAP
3	0335008	NUT M5
4 *	0101176	HEATING ELEMENT PACKING

## 10.14 DOSING UNITS



POS	PART NO.	DESCRIPTION
1 *	9544293	RINSE AID DOSING PUMP CPL.
2 V	9544088	HOSE RINSE AID CPL.
3 *	9500045-H	HOSE WIRE CLAMP YELLOW
4 *	9538712	HOSE BLUE 06
5	8000013	HOSE CONNECTION
6 *	9603787	FLAT PACKING 10X16X2
7	9603790	SPRING WASHER M10
8	0335019	HEXAGON NUT
9 *	0260007	HOSE TRANSPARENT 06
10 V	9511675	HOSE DETERGENT CPL.
11 *	9544292	DETERGENT DOSING PUMP CPL.
12	9203579	YELLOW PUMP COVER

# 11.75 ELECTRONIC CONTROL 208-230

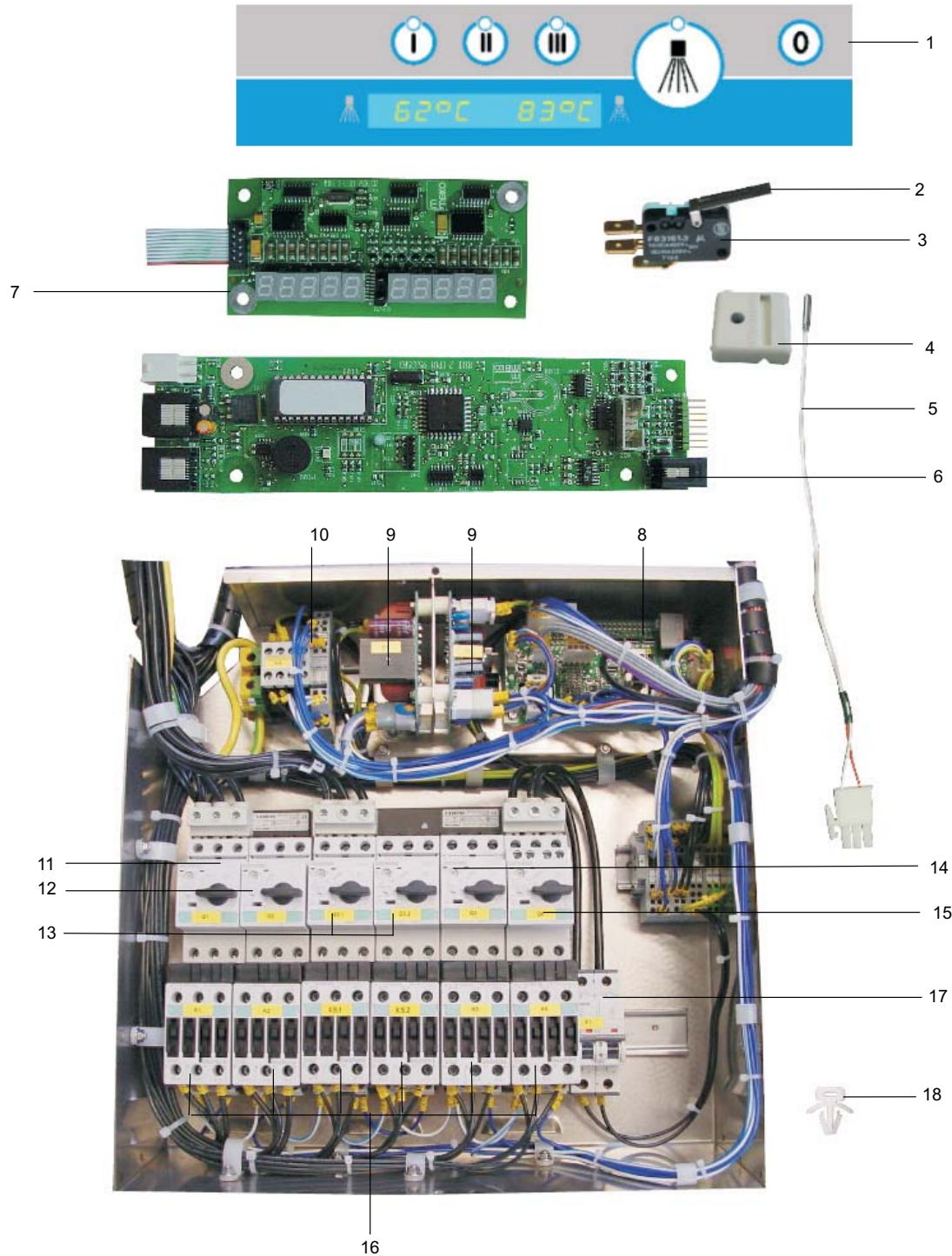


## 11.75 ELECTRONIC CONTROL 208-230V



POS	PART NO.	DESCRIPTION
1 *	9537365	TOUCH PAD FV250.2
2 *	0122106	LEVER FOR MICROSWITCH
3 *	0122103	MICROSWITCH
4	9639363	TEMP PROBE MOUNTING BRACKET
5 *	9634739	WASH TANK TEMP PROBE
	9640338	WASH TANK TEMP PROBE ASSEMBLY KIT
6 *	9541525	CPU CIRCUIT BOARD ASSEMBLY KIT
7 *	9542049	DISPLAY CIRCUIT BOARD ASSEMBLY
8 *	9617235	INPUT/OUTPUT CIRCUIT BOARD
	9611761	FINE WIRE FUSE 16A
9 *	9533502	POWER SUPPLY UNIT
	0145047	FINE WIRE FUSE 2A
10	9605554	RELAY 24VDC 1S/1O
11 *	9544738	MOTOR SAFETY SWITCH 3RV1021-4DA10 SO
12 *	9544732	MOTOR SAFETY SWITCH 3RV1021-4BA10 SO
13 *	9540603	MOTOR SAFETY SWITCH 3RV1021-1DA10
14 *	9540601	MOTOR SAFETY SWITCH 3RV1021-1JA10 SO
15 *	9542897	CONTACTOR 24V 4KW 3RT1023-1BB40
16 *	9544770	CONTACTOR 24V 5.5KW 3RT1024-1BB40 SO
17 *	9610355	FUSE BLOCK B10
18	9607101	CABLE TIE SUPPORT
	9540552	EPROM
	9627977	E-EPROM
*	9542762	CONNECTION CABLE FOR CIRCUIT BOARD
*	9545152	COMMUNICATION RIBBON CABLE

# 11.76 ELECTRONIC CONTROL 460V

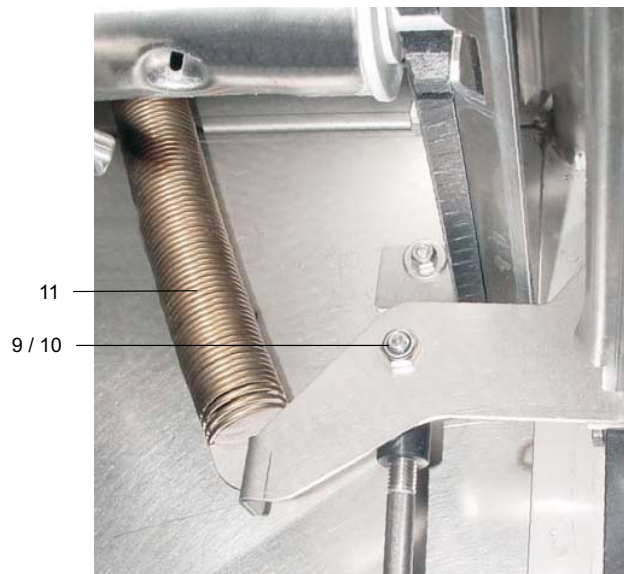


## 11.76 ELECTRONIC CONTROL 460V

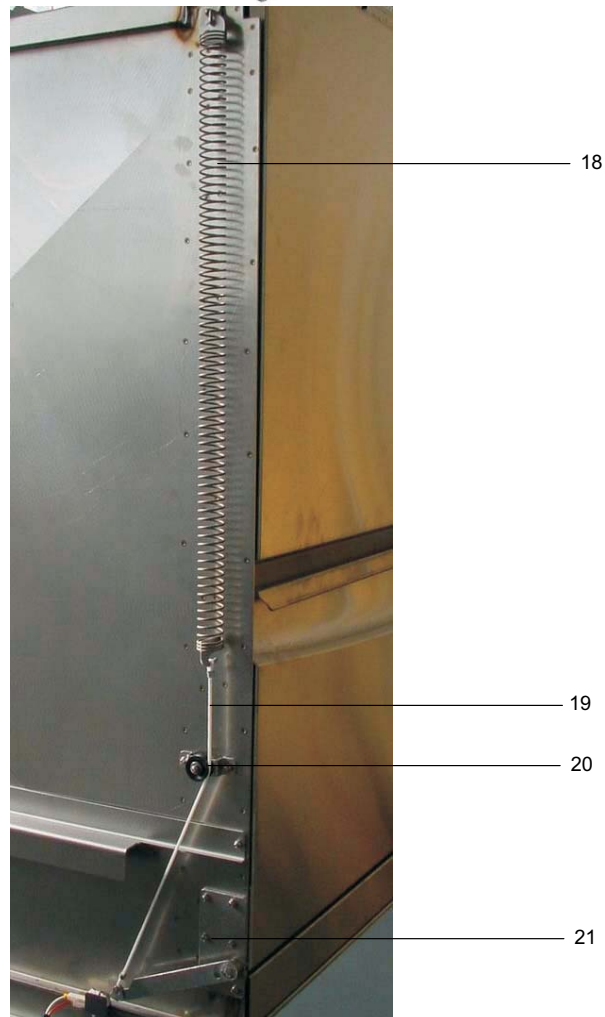
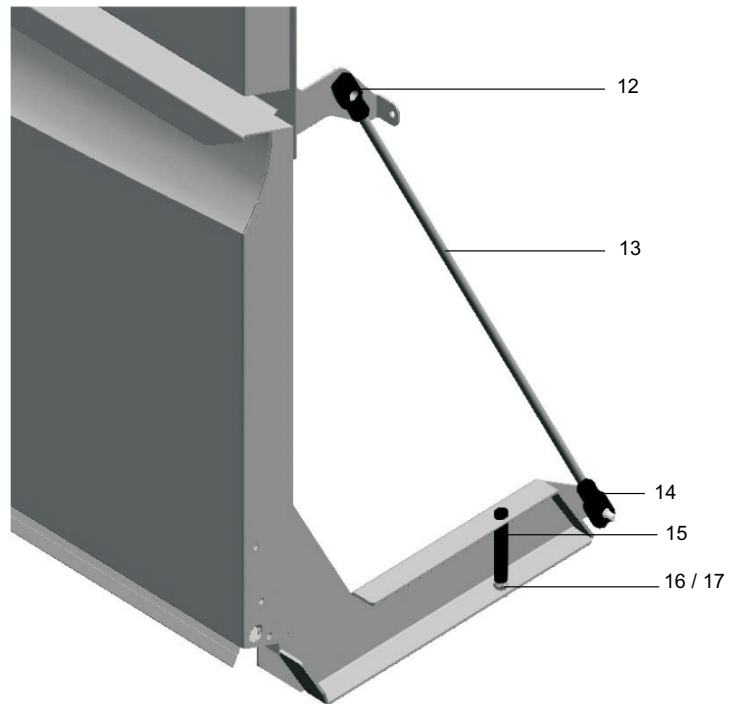


POS	PART NO.	DESCRIPTION
1 *	9537365	TOUCH PAD FV250.2
2 *	0122106	LEVER FOR MICROSWITCH
3 *	0122103	MICROSWITCH
4	9639363	TEMP PROBE MOUNTING BRACKET
5 *	9634739	WASH TANK TEMP PROBE
	9640338	WASH TANK TEMP PROBE ASSEMBLY KIT
6 *	9541525	CPU CIRCUIT BOARD ASSEMBLY KIT
7 *	9542049	DISPLAY CIRCUIT BOARD ASSEMBLY
8 *	9617235	INPUT/OUTPUT CIRCUIT BOARD
	9611761	FINE WIRE FUSE 16A
9 *	9533502	POWER SUPPLY UNIT
	0145047	FINE WIRE FUSE 2A
10	9605554	RELAY 24VDC 1S/1O
11 *	9544738	MOTOR SAFETY SWITCH 3RV1021-4DA10 SO
12 *	9544732	MOTOR SAFETY SWITCH 3RV1021-4BA10 SO
13 *	9545326	MOTOR SAFETY SWITCH 3RV1021-1FA10 SO
14 *	9546245	MOTOR SAFETY SWITCH 3RV1021-1AA10 SO
15 *	9531837	MOTOR SAFETY SWITCH 3RV1021-0FA15
16 *	9542897	CONTACTOR 24V 4KW 3RT1021-0FA15
17 *	9610355	FUSE BLOCK B10
18	9607101	CABLE TIE SUPPORT
	9540552	EPROM
	9627977	E-EPROM
*	9542762	CONNECTION CABLE FOR CIRCUIT BOARD
*	9545152	COMMUNICATION RIBBON CABLE
	9546868	TRANSFORMER

**13.31 COMPONENT BLOCKS / PARTS**



**13.31 COMPONENT BLOCKS / PARTS**



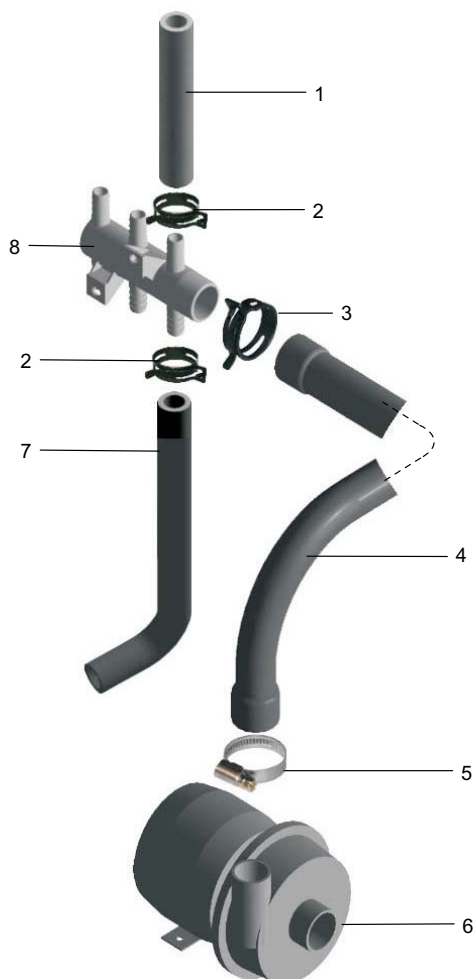
## 13.31 COMPONENT BLOCKS / PARTS



POS	PART NO.	DESCRIPTION
1	9601118	COVER
2	9601132	SIDE CLADDING, LEFT
3	9601145	SLIDING DOOR CPL.
4	9601143	CLADDING, BACK
5	9600914	FLAP DOOR CPL.
6	9601133	SIDE CLADDING, RIGHT
7	9601056	FRONT SHEET
8 *	9500378	TABLE FEET
	9600597	COVERING SIEVE CPL.
9	0337005-H	HEXAGON NUT M8
10	8002831	BEARING BOLT
11 *	9208205	TENSION SPRING KIT FV250
12 *	8002834	UPPER BEARING PIECE M8
13	9601161	PRESSURE ROD
14 *	8002833	LOWER BEARING PIECE M8
15 *	9601460	TUBE
16	0337003	HEXAGON NUT M6
17	0302050	HEXAGON SCREW M6X60
18 V	9601272	TENSION SPRING CPL.
19 V	9549066	ROPE
20	9601443	ASSEMBLY KIT
	9601442	SPREADER
	9600964	ROPE ROLLER
	9520736	STORAGE
	0302049	HEXAGON SCREW M5X20
	0335008-H	HESAGON NUT M5
	0340020	DISK D5
21	9601418	HINGE CPL.



## 22.12 BOOSTER PUMP



POS	PART NO.	DESCRIPTION
1	9608600	HOSE ½"
2	9607418	HOSE CLAMP TAPE 021
3	9607416	HOSE CLAMP TAPE 036
4	9600844	HOSE
5	0233046	HOSE WIRE CLAMP 32-50
6 *	9545451	BOOSTER PUMP CPL.
*	9548658	SLIDING SEAL CPL
*	9552773	PUMP WHEEL
	9500311	PUMP HOUSING
*	0501094	PACKING FOR PUMP HOUSING
7	9607559	HOSE
8	9600841	DISTRIBUTOR FOR FV130.2
	9603727	DISTRIBUTOR FOR FV250.2, DV270.2

# 24.07 AIR GAP



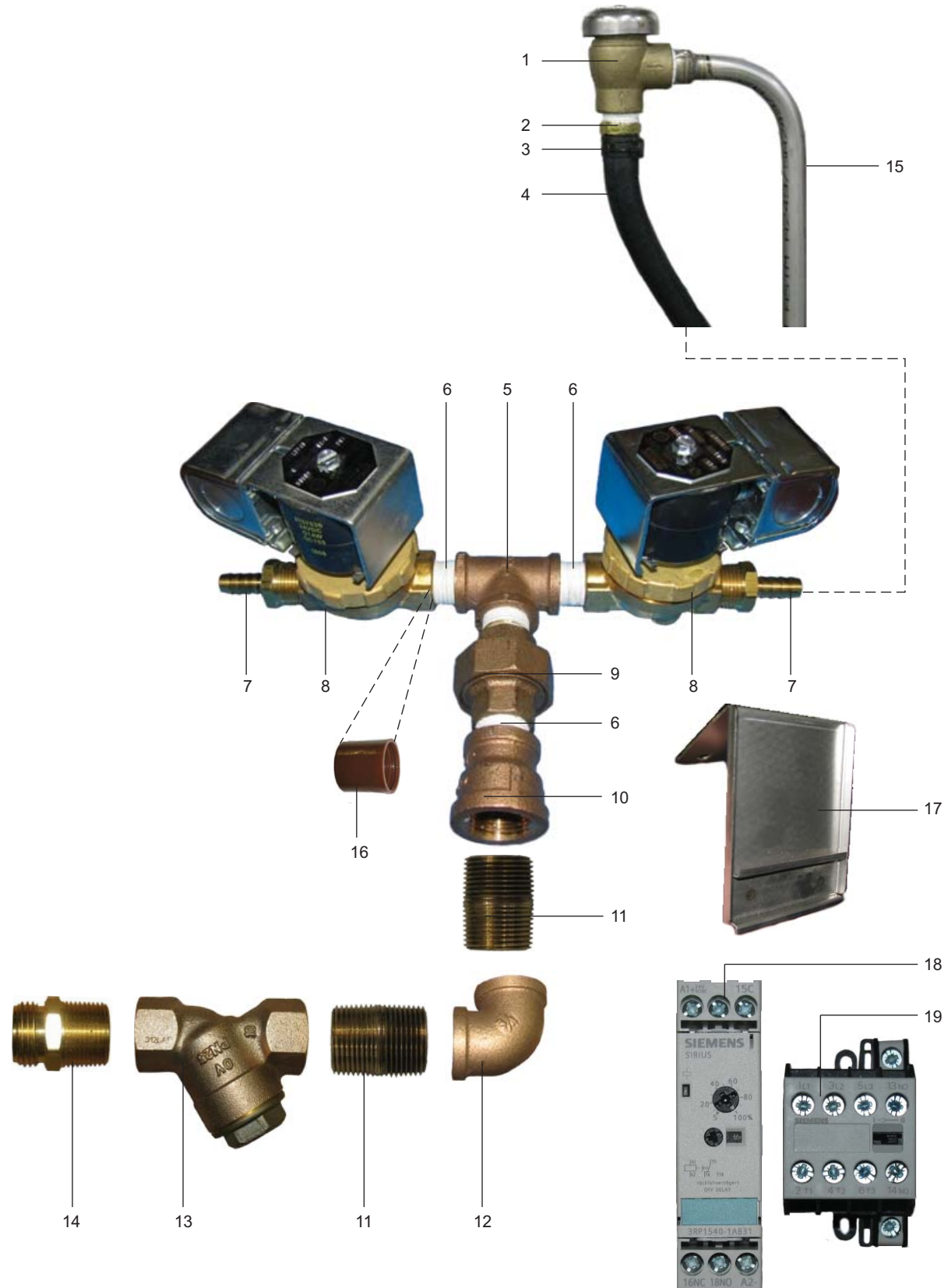
POS	PART NO.	DESCRIPTION
-----	----------	-------------

1 *	9523195	AIR GAP CPL.
2 *	0650076	PACKING
3	0233036	HOSE WIRE CLAMP 10/16
4		SEE PAGE 04 SOLENOID VALVE SEE PAGE 10 DOSING UNITS
5	9538712	HOSE BLUE 06
6	9605930	HOSE WIRE CLAMP 8.5-9.5
7		SEE PAGE 08 INCORPORATED BOILER
8		SEE PAGE 08 INCORPORATED BOILER
9	9607418	HOSE CLAMP TAPE 021
10	9609462	HOSE CLAMP TAPE 017
11	8000609	WATER GUIDING SHEET

ELECTRICAL CONNECTORS  
MACHINE SIDE- p/n 9546588 COUPLING LEDGE 2 CONDUCTORS  
769 GREY 8pol. X-COM ( USD 31,15 gross)  
and  
MOTOR END -p/n 9546589 multipoint socket connector.  
RINSE PUMP HOUSING - ITEM #9500311 RINSE PUMP  
HOUSING

# 04.26 FAST FILL SYSTEM

FOR MACHINES SHIPPED AFTER 4/28/2009



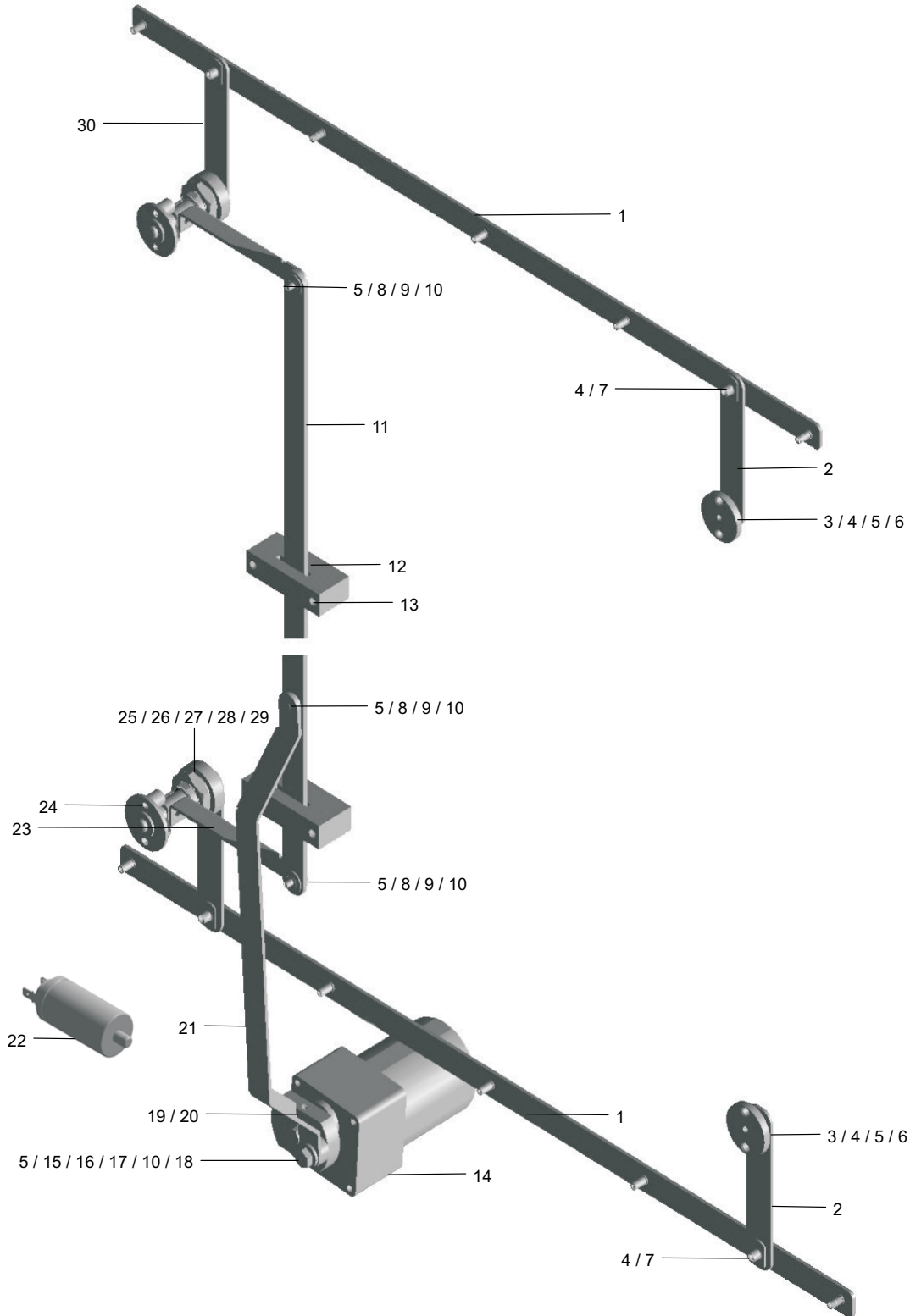


## **04.26 FAST FILL SYSTEM**

FOR MACHINES SHIPPED PRIOR TO 4/28/2009

<b>POS.</b>	<b>PART #</b>	<b>DESCRIPTION</b>
1	9647252	VACUUM BREAKER 1/2"
2	9207170	HOSE BARB BRASS 1/2"X 1/2" NPT
3	0233035	HOSE CLAMP
4	9608600	HOSE 1/2"
5	9651473	TEE BRASS 1/2" NPT
6	9651479	CLOSE NIPPLE BRASS 1/2" NPT
7	9250172	HOSE BARB BRASS 1/2"X 3/8" NPT
8	9207489	SOLENOID VALVE 1/2" 24VDC
9	9207075	BRASS UNION 1/2"
10	9629820	BELL REDUCER BRASS 3/4" X 1/2"
11	9250036	CLOSE NIPPLE BRASS 3/4"
12	9250053	ELBOW BRASS 90 3/4"
13	0225008	DIRT TRAP BRASS 3/4"
14	9250127	ADAPTER BRASS 3/4" NPT X 3/4" HOSE
15	9207533	WELDMENT WASH TANK FILL
16	9207772	FLOW REGULATOR 12L / MIN
17	9623261	BRACKET
18	9200150	RELAY, SIEMENS TIMER
19	9543079	CONTACTOR

# 29.07 WASH ARM DRIVE



## 29.07 WASH ARM DRIVE



POS	PART NO.	DESCRIPTION
1	9601004	RAIL
2	9600795	LEVER
3 *	9600646	BEARING HOUSING
4 *	9600796	BEARING BUSH
5	0337001-H	NUT M5
6	0340021	DISK
7 *	9600641	BEARING RING
8	9600788	DISK
9 *	9600714	BEARING BUSH
10	9600788	DISK
11	9601420	RAIL DV270.2
	9601126	RAIL FV250.2
12	9600739	BEARING BLOCK
13	9600741	PLATE
14 *	9544642	DRIVE MOTOR 230V 50/60 HZ
15 *	9600651	BEARING BUSH
16 *	9600722	BUSHING
17	0302009	SCREW M8X30
18	9606415	SPACER RING
19	9600738	ECCENTRIC DISK
20	0302044-H	HEXAGON SCREW M5X15
21	9600719	RAIL
22 *	9538345	CONDENSER 1 $\mu$ F
23	9600725	LEVER
24 *	0620372	SLIDING BEARING
25 *	9600632	BEARING HOUSING
26 *	0402003	RADIAL SHAFT PACKING RING
27 *	0401023	O-RING
28	9600728	HEXAGON NUT
29 *	9600640	BEARING BUSH
30 *	9600730	LEVER