

# MEIKO K-Series Dishwashers



## Automatic Basket Transport Machines

### Spare Parts Manual

**K-SERIES**

**208V/230V/460V 3-PHASE 60 HZ**





Machine model numbers: **All rack conveyor models.**

Valid From: 01 / 2003

*The following information should be stated on your spare parts orders:*

Customer: \_\_\_\_\_

Meiko Serial Number: \_\_\_\_\_

Model Number: \_\_\_\_\_

Item Number: \_\_\_\_\_

Denomination: \_\_\_\_\_

Part Number: \_\_\_\_\_

### **Legend For Spare Parts**

- \* Required stocking parts
- V Wear and Tear Item

### **Part Number Suffixes:**

- 01 = working direction left-right
- 02 = working direction right-left
- 03 = execution left
- 04 = execution right
- L-R = working direction left-right
- R-L = working direction right-left



## TABLE OF CONTENTS

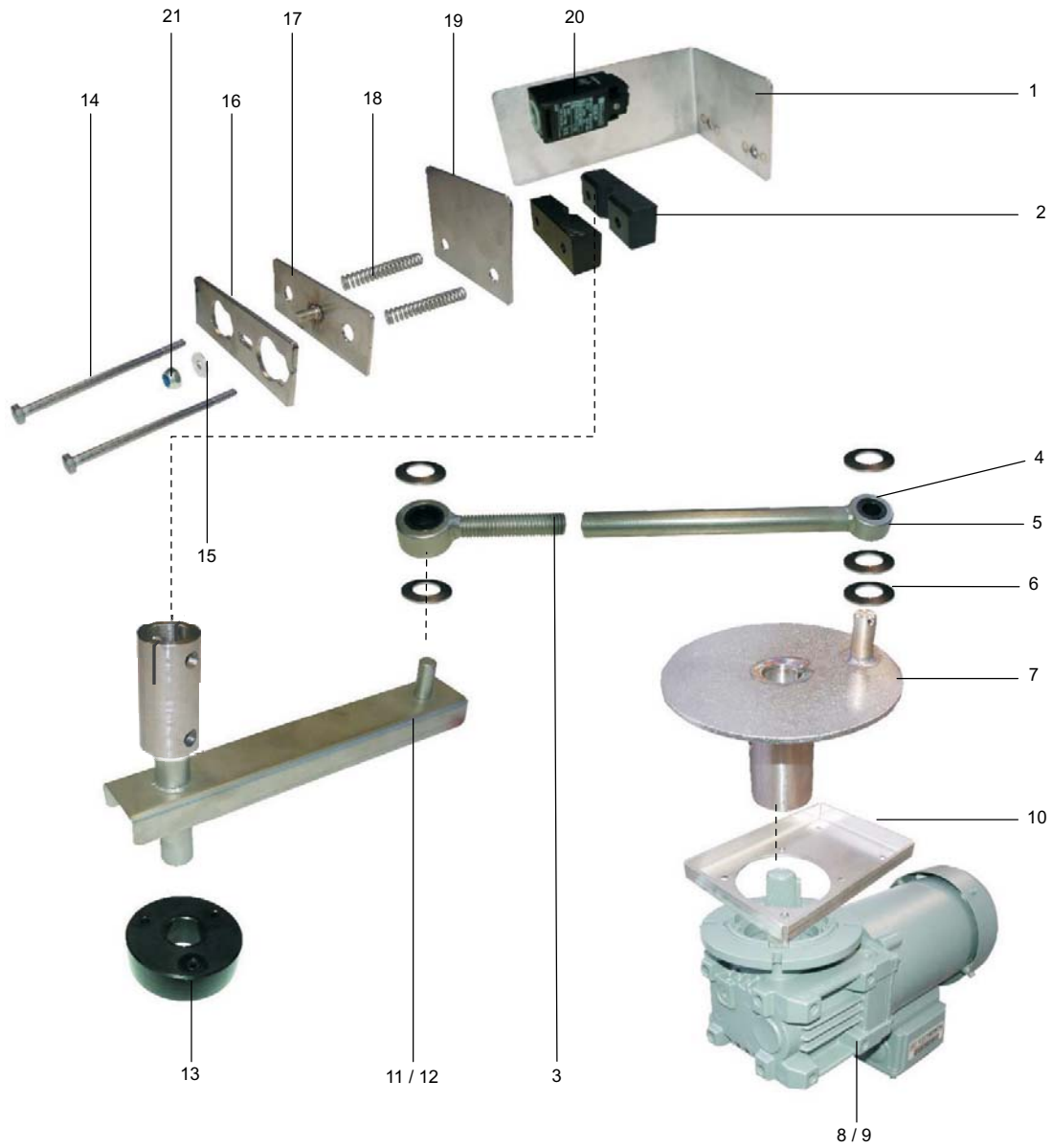
1.0		BASKET TRANSPORT SYSTEM	
	1.1	CONVEYOR DRIVE MOTOR	PAGE 5
	1.2	TRANSPORT RAIL	PAGE 7
	1.3	TRANSPORT GUIDE RAIL	PAGE 10
2.0		CURTAINS	
	2.1	VENT COWL / COLLAR	PAGE 12
	2.2	CURTAIN - LOADING / PREWASH	PAGE 13
	2.3	CURTAIN - LOADING / PREWASH - TALL HOOD	PAGE 14
	2.4	CURTAIN - PREWASH / WASH	PAGE 15
	2.5	CURTAIN - FINAL RINSE / UNLOADING	PAGE 16
	2.6	CURTAIN CHART	PAGE 17
3.0		WASH SYSTEM	
	3.1	PREWASH - 22" (PW22)	PAGE 18
	3.2	WASH SYSTEM K44 / PREWASH PW36	PAGE 20
	3.3	WASH SYSTEM K54	PAGE 22
	3.4	WASH SYSTEM K64	PAGE 24
	3.5	FRESH WATER FINAL RINSE	PAGE 26
	3.5.1	FRESH WATER FINAL RINSE W/ BUILT IN BOOSTER	PAGE 28
	3.5.2	FRESH WATER FINAL RINSE W/ STEAM BOOSTER	PAGE 29
	3.5.3	EXTERNAL STEAM BOOSTER HEATER	PAGE 31
4.0		TANK FILLING	
	4.1	WATER INLET WITH PRV	PAGE 33
	4.2	WATER INLET WITHOUT PRV NO BUILT IN BOOSTER	PAGE 34
	4.3	SOLENOID VALVES - NO BUILT IN BOOSTER	PAGE 35
	4.4	VACUUM BREAKER PLUMBING ASSEMBLY	PAGE 36
	4.5	RINSE AID MIXING CHAMBER	PAGE 38
	4.6	FLOAT SWITCH WASH TANK	PAGE 39
5.0		TANK SIEVES	
	5.1	WASH TANK SIEVE K44 / K54	PAGE 40
	5.2	WASH / POWER RINSE TANK SIEVE K64	PAGE 41
	5.3	PREWASH TANK SIEVE PW22	PAGE 42
	5.4	PREWASH TANK SIEVE PW36	PAGE 43
	5.5	TANK DRAIN	PAGE 44
6.0		WASH PUMPS	
	6.1	WASH PUMP 2.2KW 60HZ	PAGE 47
	6.2	PREWASH PUMP 0.55KW 60HZ	PAGE 49



## **TABLE OF CONTENTS**

7.0		DOORS	
	7.1	WASH TANK DOOR K44 31-1/32" (788MM)	PAGE 51
	7.2	WASH TANK DOOR K54 41-1/32" (1042MM)	PAGE 53
	7.3	WASH TANK DOOR K64 51-1/32" (1296MM)	PAGE 55
	7.4	PREWASH TANK DOOR PW22 21-17/32" (547MM)	PAGE 57
	7.5	PREWASH TANK DOOR PW36 35-17/32" (902MM)	PAGE 59
	7.6	DOOR SPRING CHART	PAGE 61
8.0		TANK HEATING	
	8.1	TEMPERATURE GAUGE	PAGE 62
	8.2	WASH TANK HEATING - ELECTRIC	PAGE 63
	8.3	WASH TANK HEATING - ELECTRIC	PAGE 65
	8.4	WASH TANK HEATING - STEAM	PAGE 66
	8.5	FINAL RINSE HEATING - ELECTRIC	PAGE 68
	8.6	WASH TANK THERMOSTAT / DOOR SWITCH	PAGE 69
9.0		PUMP ACTIVATION LEVERS	
	9.1	FINAL RINSE ACTIVATION LEVER - ALL MACHINES	PAGE 70
	9.2	WASH PUMP ACTIVATION LEVER - ALL TANKS	PAGE 71
10.0		ELECTRICAL CONTROLS	
	10.1	POWER ON SWITCH / LIGHT	PAGE 73
	10.2	AUTO / MANUAL SWITCH	PAGE 74
	10.3	ELECTRICAL CONTROL PANEL - MACHINE	PAGE 75
	10.4	ELECTRICAL CONTROL PANEL - BUILT IN BOOSTER OLD	PAGE 77
	10.5	ELECTRICAL CONTROL PANEL - BUILT IN BOOSTER NEW	PAGE 79
	10.6	ELECTRICAL PANEL - WASH / POWER RINSE	PAGE 81
	10.7	ELECTRICAL PANEL - PREWASH	PAGE 83
	10.8	ELECTRICAL PANEL - POWER LOADER / UNLOADER	PAGE 84
11.0		OPTIONS	
	11.1	POWER LOADER / UNLOADER	PAGE 86
	11.2	DRAIN WATER TEMPERING KIT	PAGE 90

# 1.1 CONVEYOR DRIVE MOTOR

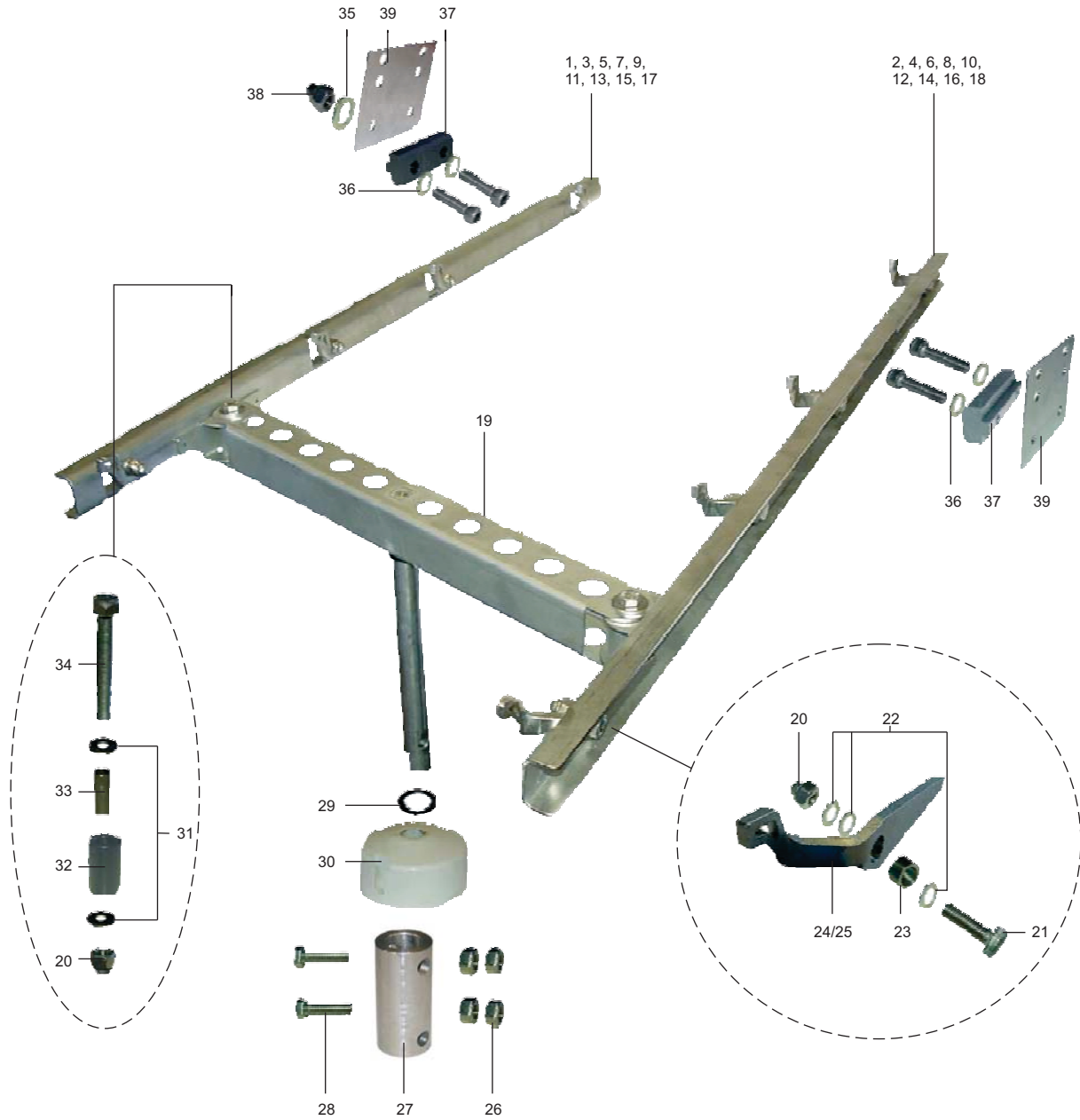




## 1.1 CONVEYOR DRIVE MOTOR

POS.	PART #	DESCRIPTION
1	<a href="#">9501087</a>	CLAMPING PLATE
2	<a href="#">9501095</a>	BEARING BOWL
3	<a href="#">9544441</a>	CONNECTION ROD
4	<a href="#">8135052</a>	BUSHING FOR CONNECTION ROD
5	<a href="#">9544430</a>	CONNECTION ROD
6	<a href="#">0340028</a>	WASHER
7	<a href="#">9544449</a>	DISC DRIVE
8	9545902	CONVEYOR DRIVE MOTOR (K44/66/80))
9	<a href="#">9545903</a>	CONVEYOR DRIVE MOTOR (K54/64/76/86/90/100)
10	<a href="#">9546248</a>	HOUSING
11	9207616-01	ROCKER ARM WELDMENT L-R
12	<a href="#">9207616-02</a>	ROCKER ARM WELDMENT R-L
13	<a href="#">9543393</a>	BEARING HOUSING
14	<a href="#">9547144</a>	HEXAGON SCREW M8 X 160
15	<a href="#">0340020</a>	WASHER
16	<a href="#">9547066</a>	SAFETY BRACKET
17	<a href="#">9547072</a>	FIXING PANEL
18	<a href="#">9501812</a>	PRESSURE SPRING
19	<a href="#">9501075</a>	PANEL FOR SWITCH
20	<a href="#">9500490</a>	CONVEYOR MOTOR LIMIT SWITCH
21	<a href="#">0337001</a>	LOCK NUT M5

# 1.2 TRANSPORT RAIL





## 1.2 TRANSPORT RAIL

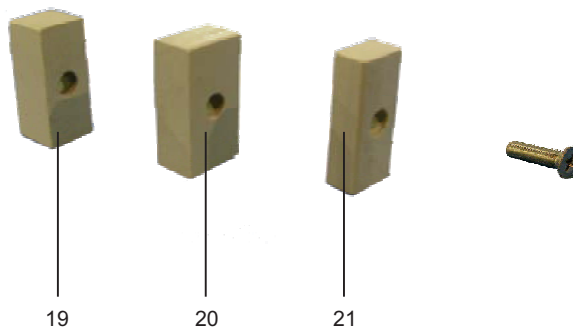
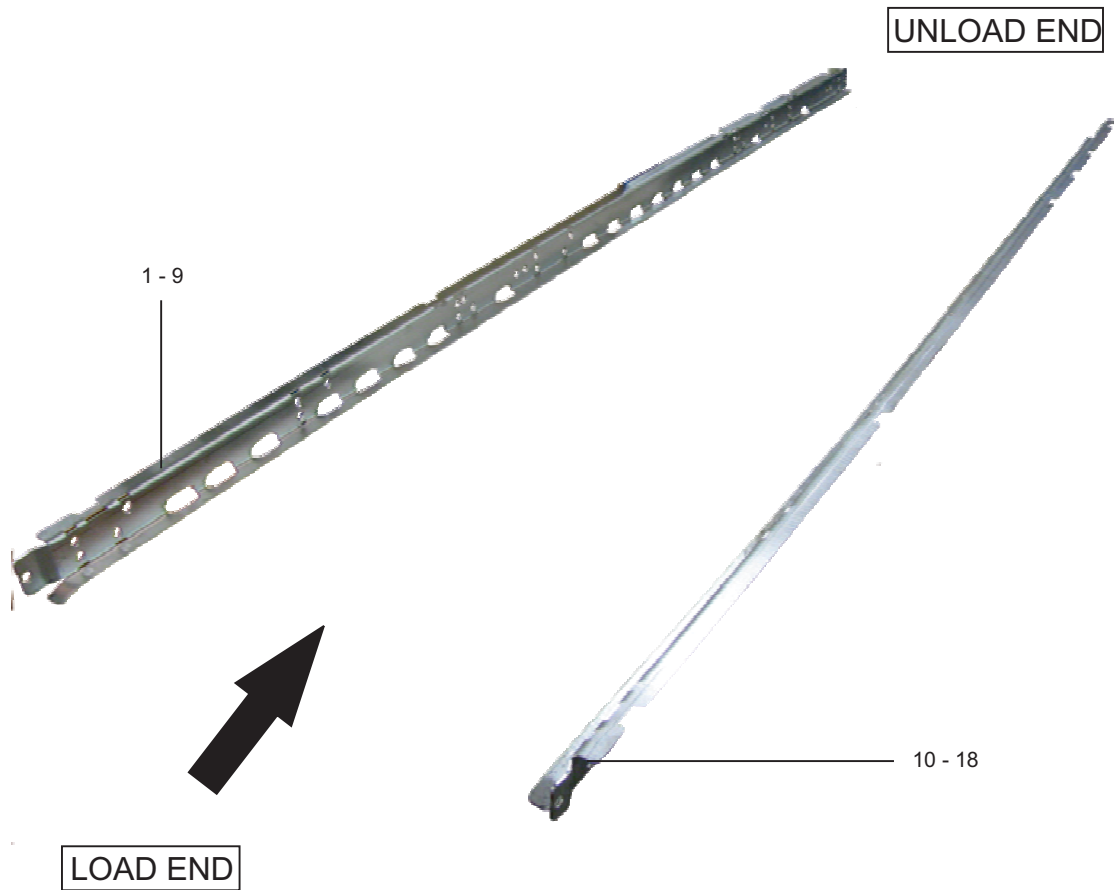
POS.	PART #	DESCRIPTION
1	9546173-03	K44 TRANSPORT RAIL LEFT 37 1/2"
2	9546173-04	K44 TRANSPORT RAIL RIGHT 37 1/2"
3	9546601-03	K54 TRANSPORT RAIL LEFT 47 1/2"
4	9546601-04	K54 TRANSPORT RAIL RIGHT 47 1/2"
5	9546604-03	K64 TRANSPORT RAIL LEFT 57 1/32"
6	9546604-04	K64 TRANSPORT RAIL RIGHT 57 1/32"
7	9546612-03	K66 TRANSPORT RAIL LEFT 59 1/32"
8	9546612-04	K66 TRANSPORT RAIL RIGHT 59 1/32"
9	9546596-03	K76 TRANSPORT RAIL LEFT 69 1/32"
10	9546596-04	K76 TRANSPORT RAIL RIGHT 69 1/32"
11	9546606-03	K80 TRANSPORT RAIL LEFT 73 1/32"
12	9546606-04	K80 TRANSPORT RAIL RIGHT 73 1/32"
13	9546617-03	K86 TRANSPORT RAIL LEFT 79 1/32"
14	9546617-04	K86 TRANSPORT RAIL RIGHT 79 1/32"
15	9546608-03	K90 TRANSPORT RAIL LEFT 83 1/32"
16	9546608-04	K90 TRANSPORT RAIL RIGHT 83 1/32"
17	9546595-03	K100 TRANSPORT RAIL LEFT 93 1/32"
18	9546595-04	K100 TRANSPORT RAIL RIGHT 93 1/32"
19	<a href="#">9543836</a>	CROSS ARM CONNECTION
20	<a href="#">0336052</a>	CAP NUT M8
21	<a href="#">0302007</a>	HEX HEAD CAP SCREW M8 X 20
22	<a href="#">0340002</a>	WASHER
23	<a href="#">9546210</a>	DISTANCE TUBE
24	9541133-03	HANDLE
25	9541133-04	HANDLE
26	<a href="#">0337005</a>	HEX NUT M8
27	<a href="#">9644843</a>	COUPLING, CONVEYOR DRIVE
28	<a href="#">0302015</a>	M8 X 55



## 1.2 TRANSPORT RAIL (continued)

POS.	PART #	DESCRIPTION
29	9501247	O-RING
30	9546913	COVER
31	0340055	WASHER
32	9543786	BEARING BUSH
33	9543795	SPACER
34	0302013	HEX HEAD CAP SCREW M8 X 80
35	0340010	WASHER
36	0340027	WASHER
37	9546076	BEARING
38	0336051	CAP NUT M6
39	9546075	BEARING PLATE
40	0304055	SCREW

**1.3 TRANSPORT GUIDE RAIL**

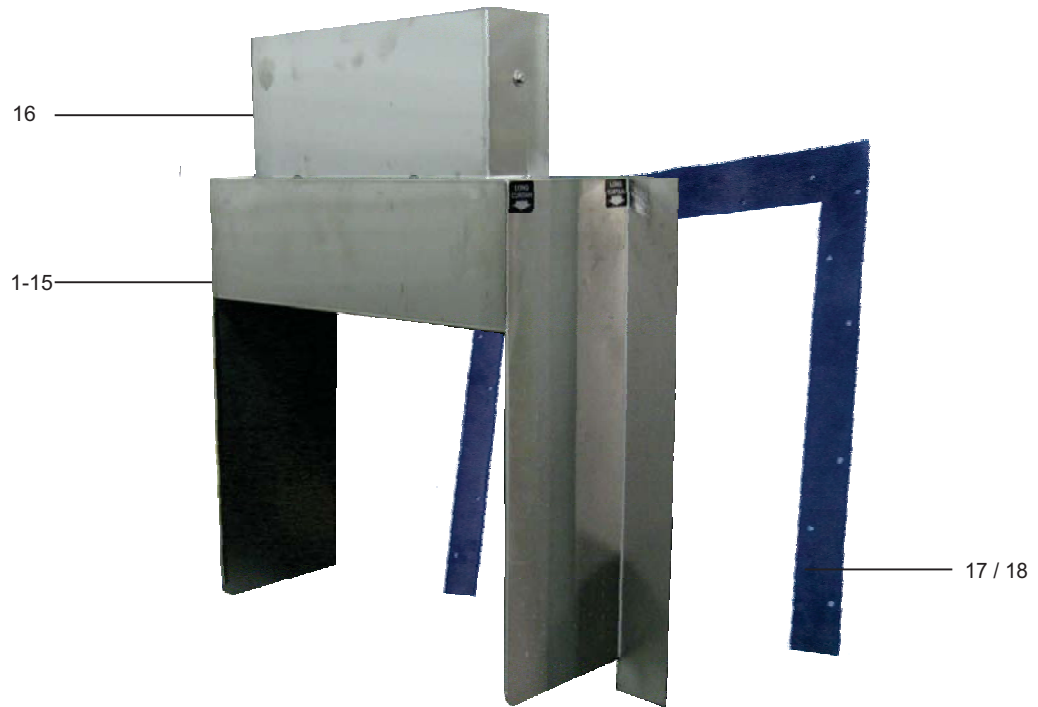




## 1.3 TRANSPORT GUIDE RAIL

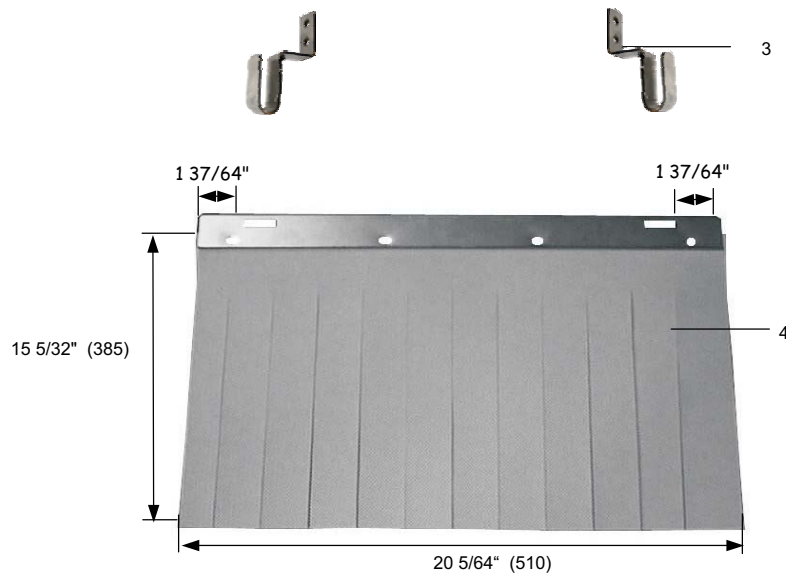
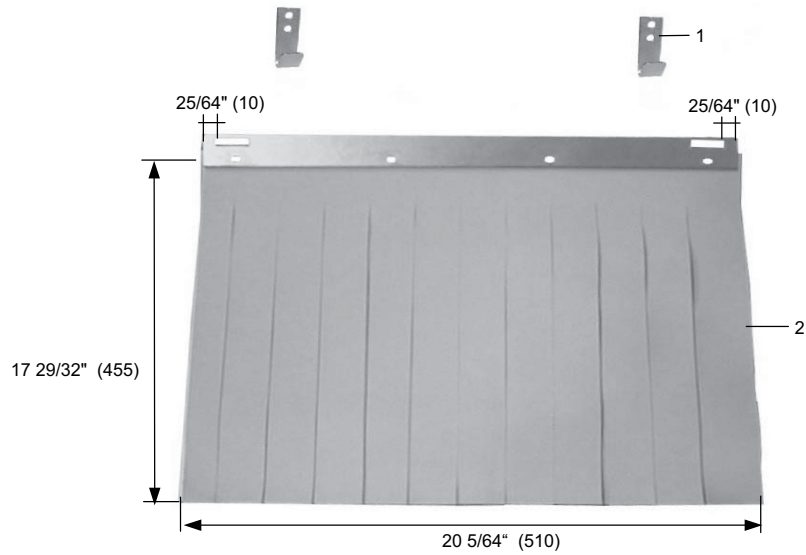
POS.	PART #	DESCRIPTION
1	9546173-03	K-44 TRANSPORT RACK LEFT
2	9546601-03	K-54 TRANSPORT RACK LEFT
3	9546604-03	K-64 TRANSPORT RACK LEFT
4	9546612-03	K-66 TRANSPORT RACK LEFT
5	9546596-03	K-76 TRANSPORT RACK LEFT
6	9546606-03	K-80 TRANSPORT RACK LEFT
7	9546617-03	K-86 TRANSPORT RACK LEFT
8	9546608-03	K-90 TRANSPORT RACK LEFT
9	9546595-03	K-100 TRANSPORT RACK LEFT
10	9546173-04	K-44 TRANSPORT RACK RIGHT
11	9546601-04	K-54 TRANSPORT RACK RIGHT
12	9546604-04	K-64 TRANSPORT RACK RIGHT
13	9546612-04	K-66 TRANSPORT RACK RIGHT
14	9546596-04	K-76 TRANSPORT RACK RIGHT
15	9546606-04	K-80 TRANSPORT RACK RIGHT
16	9546617-04	K-86 TRANSPORT RACK RIGHT
17	9546608-04	K-90 TRANSPORT RACK RIGHT
18	9546595-04	K-100 TRANSPORT RACK RIGHT
19	<a href="#">9546392</a>	DISTANCE BLOCK 14 MM UNLOAD END
20	<a href="#">8132453</a>	DISTANCE BLOCK 12 MM WASH SECTION
21	<a href="#">9546396</a>	DISTANCE BLOCK 9 MM LOAD END

## 2.1 VENT COWL / COLLAR



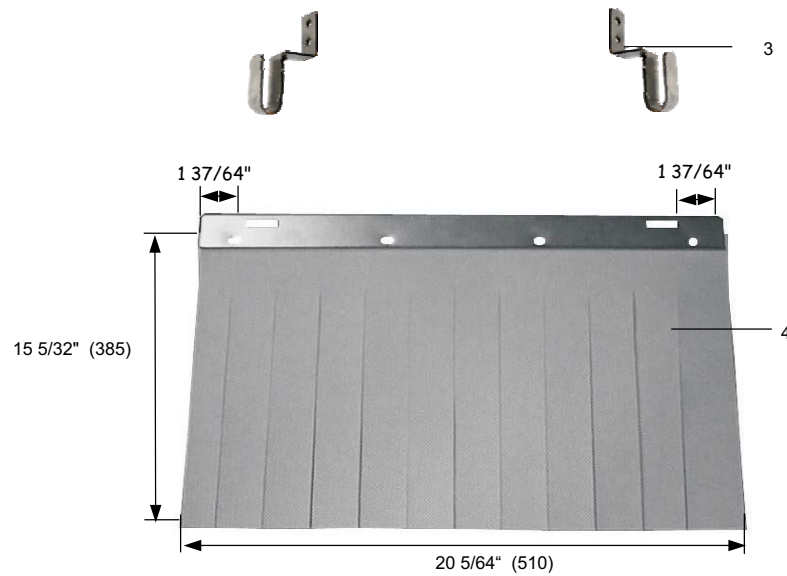
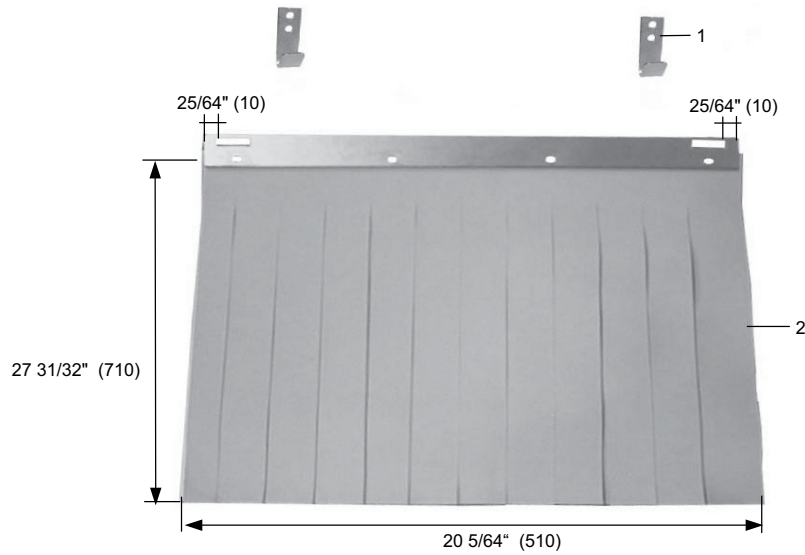
POS.	PART #	DESCRIPTION
1	<a href="#">9208299</a>	K-SERIES VENT COWL ASSEMBLY STD. HOOD LOAD END
2	<a href="#">9208348</a>	K-SERIES VENT COWL ASSEMBLY STD. HOOD UNLOAD END
3	<a href="#">9208300</a>	K-SERIES VENT COWL ASSEMBLY HIGH HOOD
4	<a href="#">9208301</a>	K-SERIES VENT COWL ASSEMBLY STD. HOOD W/ POWER LOADER L-R
5	<a href="#">9208302</a>	K-SERIES VENT COWL ASSEMBLY STD. HOOD W/ POWER LOADER R-L
6	<a href="#">9208303</a>	K-SERIES VENT COWL ASSEMBLY STD. HOOD W/ POWER UNLOADER L-R
7	<a href="#">9208304</a>	K-SERIES VENT COWL ASSEMBLY STD. HOOD W/ POWER UNLOADER R-L
8	<a href="#">9208305</a>	K-SERIES VENT COWL ASSEMBLY HIGH HOOD W/ POWER LOADER L-R
9	<a href="#">9208306</a>	K-SERIES VENT COWL ASSEMBLY HIGH HOOD W/ POWER LOADER R-L
10	<a href="#">9208307</a>	K-SERIES VENT COWL ASSEMBLY HIGH HOOD W/ POWER UNLOADER L-R
11	<a href="#">9208308</a>	K-SERIES VENT COWL ASSEMBLY HIGH HOOD W/ POWER UNLOADER R-L
12	<a href="#">9208349</a>	K-SERIES VENT COWL ASSEMBLY STD. HOOD W/ SIDE LOADER L-R
13	<a href="#">9208350</a>	K-SERIES VENT COWL ASSEMBLY STD. HOOD W/ SIDE LOADER R-L
14	<a href="#">9208351</a>	K-SERIES VENT COWL ASSEMBLY HIGH HOOD W/ SIDE LOADER L-R
15	<a href="#">9208352</a>	K-SERIES VENT COWL ASSEMBLY HIGH HOOD W/ SIDE LOADER R-L
16	9200033	VENT COWL COLLAR
17	<a href="#">9250157</a>	VENT COWL GASKET - STANDARD HOOD
18	<a href="#">9250158</a>	VENT COWL GASKET - TALL HOOD

## 2.2 CURTAIN - LOADING / PREWASH



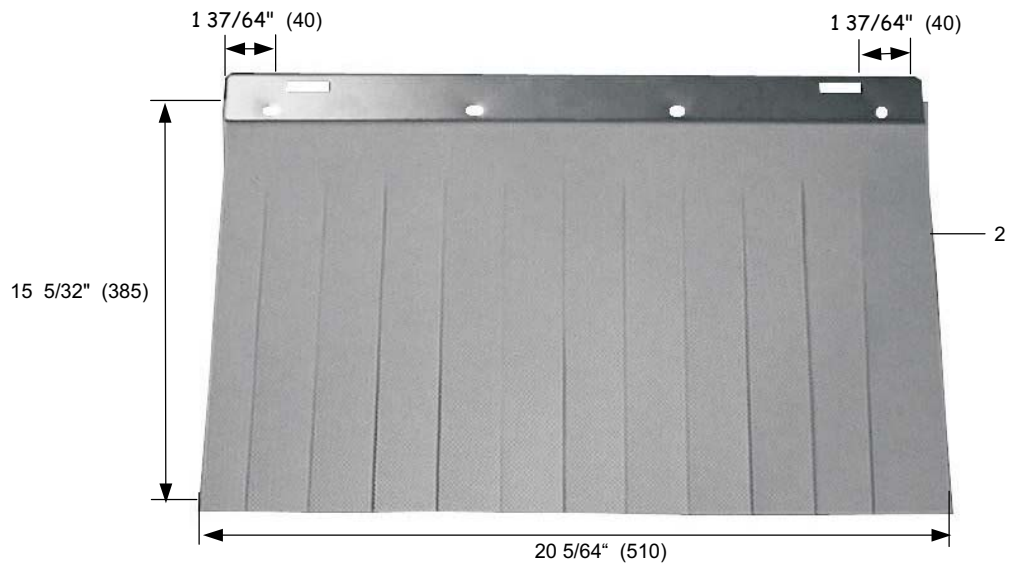
POS.	PART #	DESCRIPTION
1	<a href="#">9603965</a>	CURTAIN HOOK
2	<a href="#">9207509</a>	CURTAIN - LONG 510MM X 455MM
2	<a href="#">9207518</a>	CURTAIN LONG - 595MM X 460MM <b>FOR MACHINES WITH POWER LOADER</b>
3	<a href="#">9207034</a>	CURTAIN HOOK
4	<a href="#">9207510</a>	CURTAIN - SHORT 510MM X 385MM

## 2.3 CURTAIN - LOADING / PREWASH - TALL HOOD



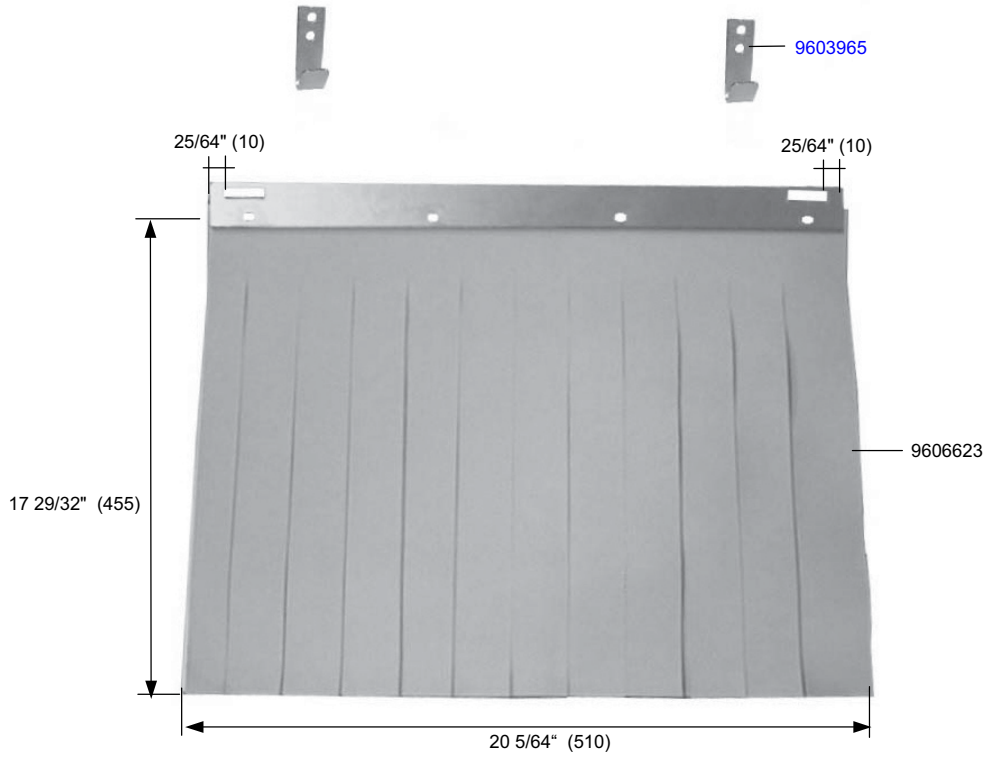
POS.	PART #	DESCRIPTION
1	<a href="#">9603965</a>	CURTAIN FIXING
2	<a href="#">9207508</a>	CURTAIN - LONG 510MM X 710MM
2	<a href="#">9207517</a>	CURTAIN - LONG 595MM X 710MM <b>NOTE: FOR UNITS WITH POWER LOADER/UNLOADER ONLY</b>
3	<a href="#">9207034</a>	CURTAIN HOOK
4	<a href="#">9207510</a>	CURTAIN - SHORT 510MM X 385MM

## 2.4 CURTAIN - PREWASH / WASH



POS.	PART #	DESCRIPTION
1	<a href="#">9610954</a>	PLATE FOR CURTAIN HOOK
2	<a href="#">9207510</a>	CURTAIN - SHORT 510MM X 385MM

## 2.5 CURTAIN - FINAL RINSE / UNLOADING



POS.	PART #	DESCRIPTION
1	<a href="#">9603965</a>	CURTAIN FIXING
2	<a href="#">9207509</a>	CURTAIN - LONG 510MM X 455MM
2	<a href="#">9207518</a>	CURTAIN LONG - 595MM X 460MM <b>FOR MACHINES WITH POWER UNLOADER</b>



## 2.6 CURTAIN CHART

MODEL	ENTRANCE 1*	ENTRANCE 2	PW / WT	WT / PR	PR / FR	WT / FR	EXIT 1	EXIT 2
K-44E/S	9207509**	9207510	N/A	N/A	N/A	9207510	9207509 <sup>1</sup>	9207509 <sup>1</sup>
K-44ET/ST	9207508***	9207508***	N/A	N/A	N/A	9207510	9207508 <sup>2</sup>	9207508 <sup>2</sup>
K-54E/S	9207509**	9207510	N/A	N/A	N/A	9207510	9207509 <sup>1</sup>	9207509 <sup>1</sup>
K-54ET/ST	9207508***	9207508***	N/A	N/A	N/A	9207510	9207508 <sup>2</sup>	9207508 <sup>2</sup>
K-64E/S	9207509**	9207510	N/A	9207510	9207510	N/A	9207509 <sup>1</sup>	9207509 <sup>1</sup>
K-64ET/ST	9207508***	9207508***	N/A	9207510	9207510	N/A	9207508 <sup>2</sup>	9207508 <sup>2</sup>
K-66E/S	9207509**	9207510	9207510	N/A	N/A	9207510	9207509 <sup>1</sup>	9207509 <sup>1</sup>
K-66ET/ST	9207508***	9207508***	9207510	N/A	N/A	9207510	9207508 <sup>2</sup>	9207508 <sup>2</sup>
K-76E/S	9207509**	9207510	9207510	N/A	N/A	9207510	9207509 <sup>1</sup>	9207509 <sup>1</sup>
K-76ET/ST	9207508***	9207508***	9207510	N/A	N/A	9207510	9207508 <sup>2</sup>	9207508 <sup>2</sup>
K-80E/S	9207509**	9207510	9207510	N/A	N/A	9207510	9207509 <sup>1</sup>	9207509 <sup>1</sup>
K-80ET/ST	9207508***	9207508***	9207510	N/A	N/A	9207510	9207508 <sup>2</sup>	9207508 <sup>2</sup>
K-86E/S	9207509**	9207510	9207510	9207510	9207510	N/A	9207509 <sup>1</sup>	9207509 <sup>1</sup>
K-86ET/ST	9207508***	9207508***	9207510	9207510	9207510	N/A	9207508 <sup>2</sup>	9207508 <sup>2</sup>
K-90E/S	9207509**	9207510	9207510	N/A	N/A	9207510	9207509 <sup>1</sup>	9207509 <sup>1</sup>
K-90ET/ST	9207508***	9207508***	9207510	N/A	N/A	9207510	9207508 <sup>2</sup>	9207508 <sup>2</sup>
K-100E/S	9207509**	9207510***	9207510	9207510	9207510	N/A	9207509 <sup>1</sup>	9207509 <sup>1</sup>
K-100ET/ST	9207508***	9207508***	9207510	9207510	9207510	N/A	9207508 <sup>2</sup>	9207508 <sup>2</sup>

\* For machines with a Side Loader, this curtain will be omitted.

\*\* For standard hood machines with a Power Loader, this curtain will be replaced with part number 9207518

\*\*\* For tall hood machines with a Power Loader, this curtain will be replaced with part number 9207517

1 For standard hood machines with a Power Unloader, this curtain will be replaced with part number 9207518

2 For tall hood machines with a Power Unloader, this curtain will be replaced with part number 9207517

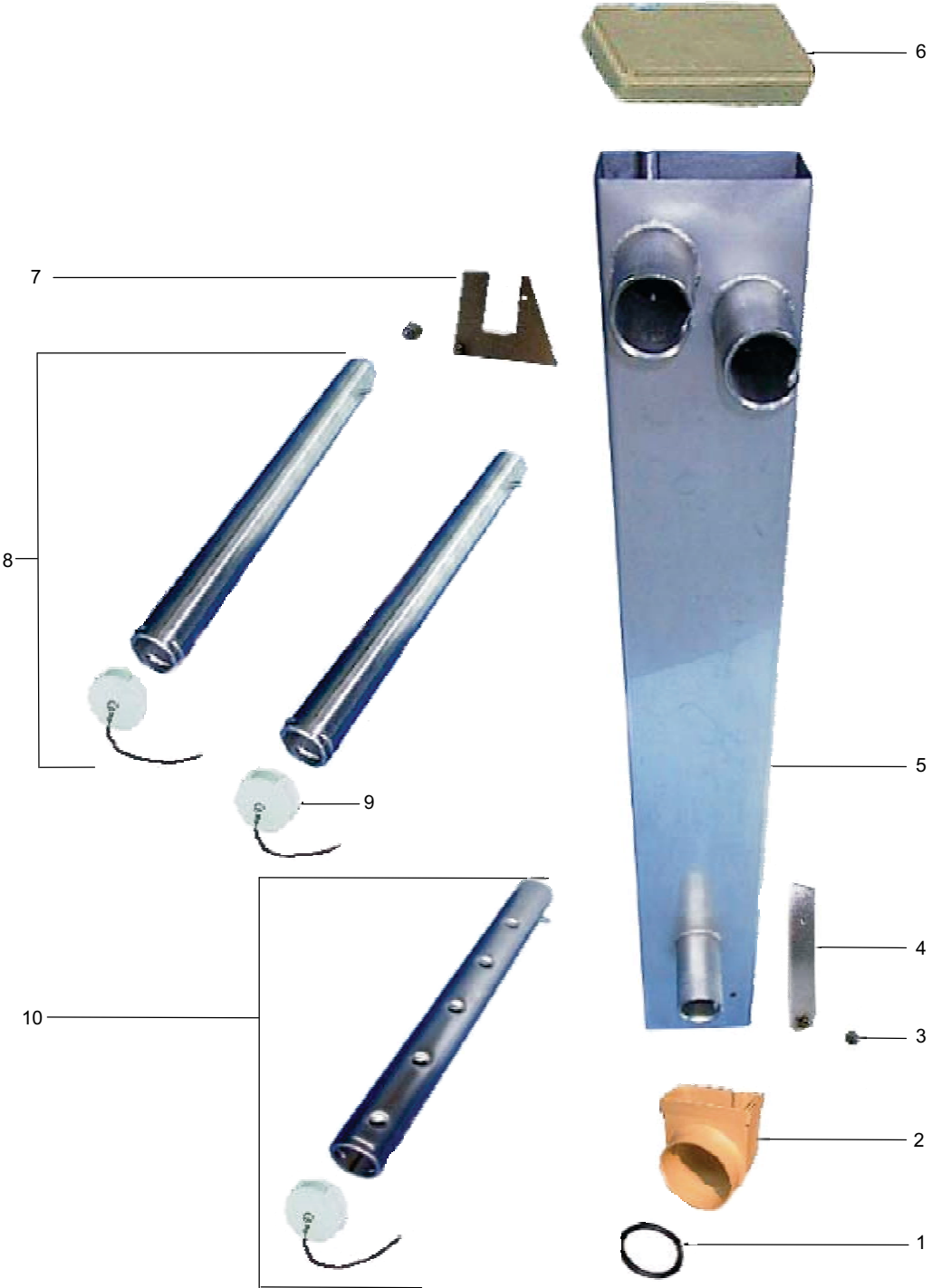
PW = Pre Wash

WT = Wash Tank

PR = Power Rinse

FR = Final Rinse

**3.1 PREWASH - PW22 (22")**

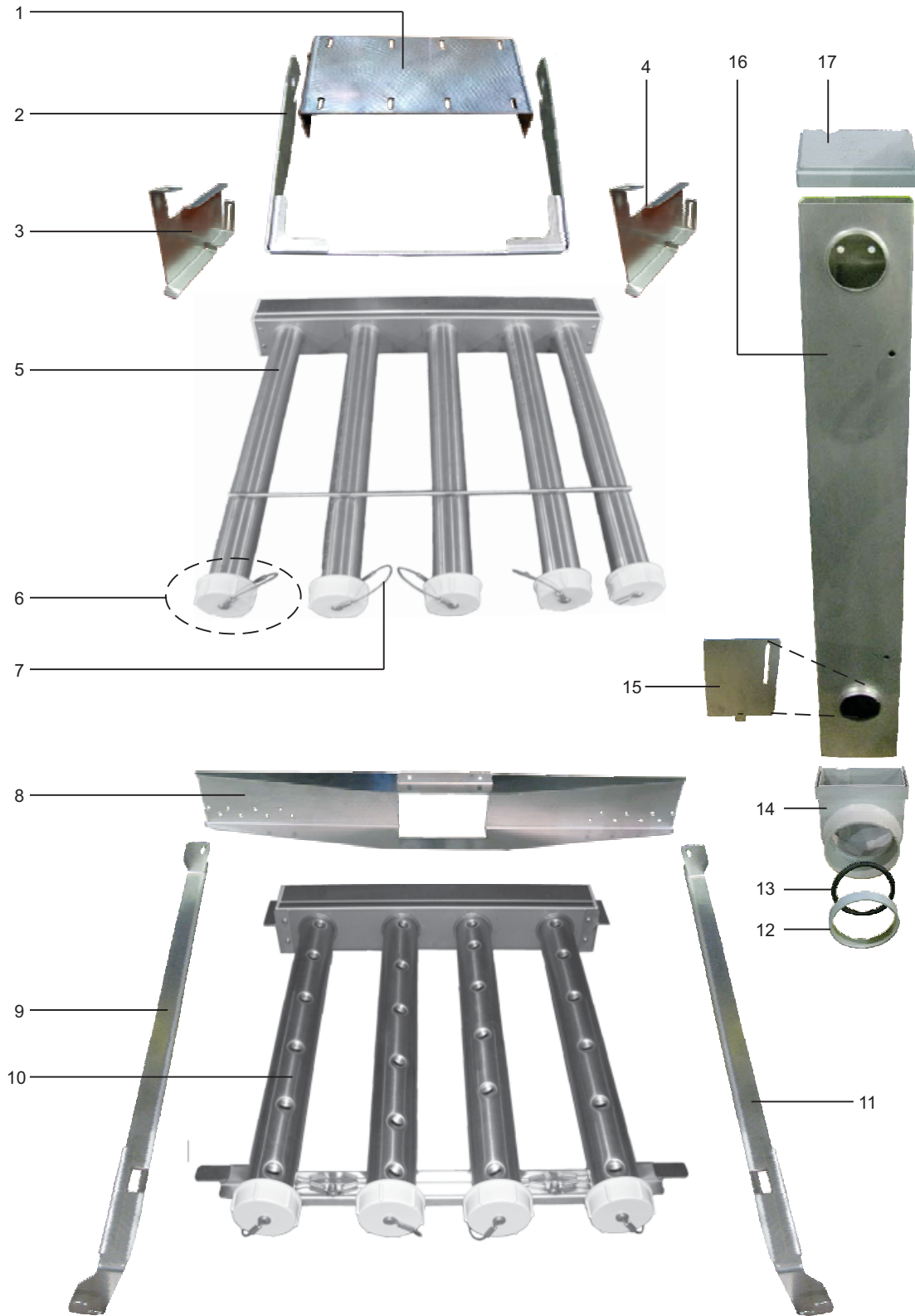




### **3.1 PREWASH - PW22 (22")**

POS.	PART #	DESCRIPTION
1	<a href="#">9500176</a>	O-RING
2	<a href="#">9500051</a>	WASH DUCT CONNECTION BLOCK
3	<a href="#">0336051</a>	CAP NUT
4	<a href="#">9609593</a>	THROTTLE PLATE
5	<a href="#">9501398</a>	ASCENDING TUBE PW22
6	<a href="#">9500037</a>	WASH DUCT CAP
7	<a href="#">8103480</a>	REDUCTION SHEET
8	<a href="#">9647302</a>	UPPER PREWASH ARM PW22
9	<a href="#">9548850</a>	WASH ARM END CAP ASSEMBLY
10	<a href="#">9647297</a>	LOWER PREWASH ARM PW22

### 3.2 WASH SYSTEM K44 / PREWASH PW36

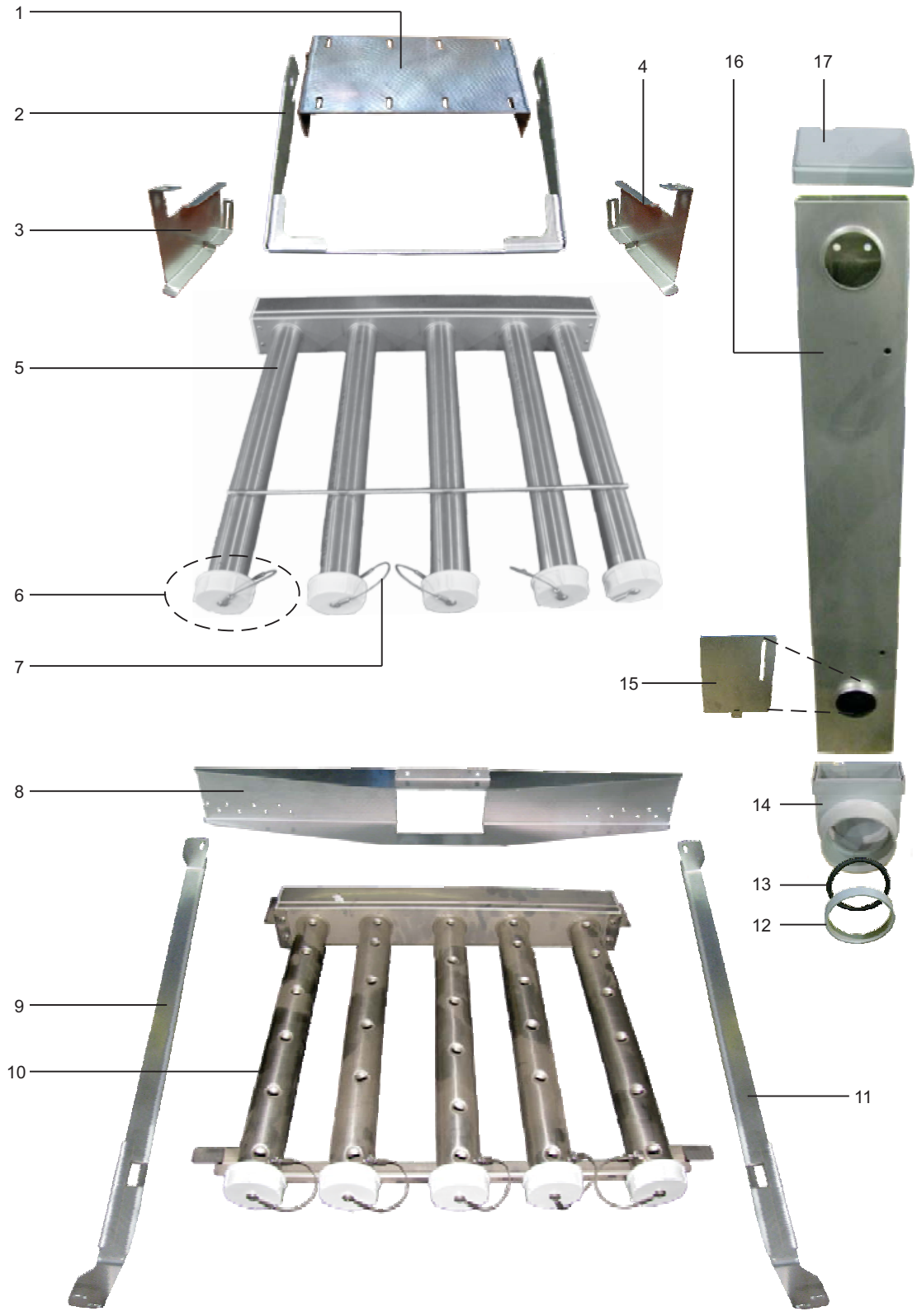




### 3.2 WASH SYSTEM K44 / PREWASH PW36

POS.	PART #	DESCRIPTION
1	8103357	BRACKET, UPPER WASH ARM FIXING
2	8103358	BRACKET, UPPER WASH ARM
3	954665403	SUPPORT LEFT
4	954665404	SUPPORT RIGHT
5	954417901	UPPER WASH ARM COMPLETE L-R K44/K54/PW36
5	954417902	UPPER WASH ARM COMPLETE R-L K44/K54/PW36
6	9548850	END CAP ASSEMBLY
7	9548515	TETHER
8	9662620	BRACKET, STIFFENING WASH ARM - <b>ONLY FOR SERIAL NUMBER &gt; 30002986</b>
9	954610303	SUPPORT, WASH ARM LOWER LEFT - <b>FOR SERIAL NUMBER &lt; 30002987</b>
9	966261903	SUPPORT, WASH ARM LOWER LEFT - <b>FOR SERIAL NUMBER &gt; 30002986</b>
10	954417801	LOWER WASH ARM COMPLETE L-R K44/PW36
10	954417802	LOWER WASH ARM COMPLETE R-L K44/PW36
11	954610304	SUPPORT, WASH ARM LOWER RIGHT - <b>FOR SERIAL NUMBER &lt; 30002987</b>
11	966261904	SUPPORT, WASH ARM LOWER RIGHT - <b>FOR SERIAL NUMBER &gt; 30002986</b>
12	9507883	SUPPORT RING
13	9500176	O-RING
14	9500051	CONNECTION, WASH DUCT
15	9609593	THROTTLE PLATE
16	8133003	ASCENDING PIPE - <b>STANDARD HOOD</b>
16	9553615	ASCENDING PIPE - <b>TALL HOOD</b>
17	9500037	LID

### 3.3 WASH SYSTEM K54

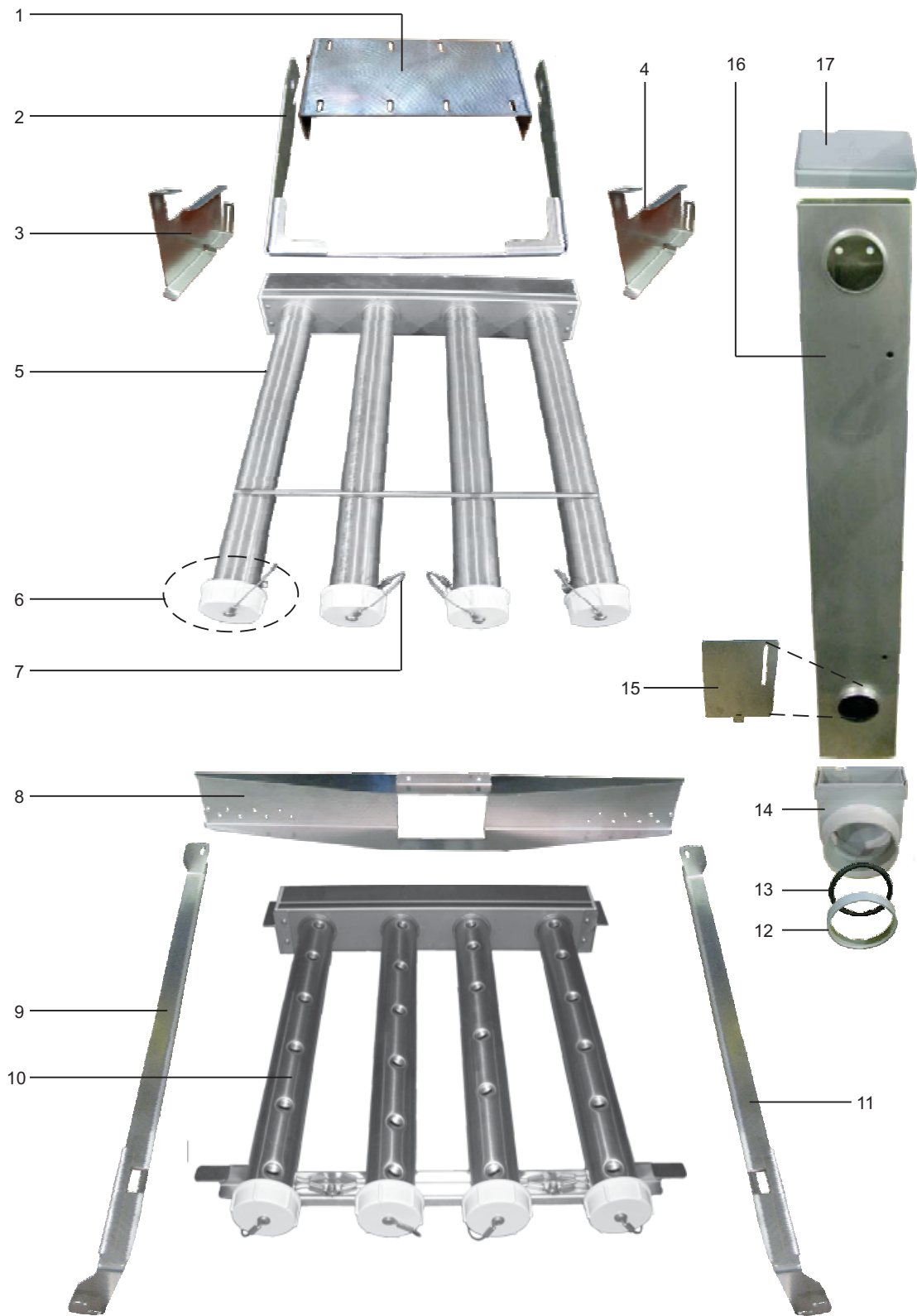




### 3.3 WASH SYSTEM K54

POS.	PART #	DESCRIPTION
1	8103357	BRACKET, UPPER WASH ARM FIXING
2	8103358	BRACKET, UPPER WASH ARM
3	954665403	SUPPORT LEFT
4	954665404	SUPPORT RIGHT
5	954417901	UPPER WASH ARM COMPLETE L-R K44/K54/PW36
5	954417902	UPPER WASH ARM COMPLETE R-L K44/K54/PW36
6	9548850	END CAP ASSEMBLY
7	9548515	TETHER
8	9662620	BRACKET, STIFFENING WASH ARM
9	954610303	SUPPORT, WASH ARM LOWER LEFT - <b>FOR SERIAL NUMBER &lt; 30002987</b>
9	966261903	SUPPORT, WASH ARM LOWER LEFT - <b>FOR SERIAL NUMBER &gt; 30002986</b>
10	954446401	LOWER WASH ARM COMPLETE L-R K54
10	954446402	LOWER WASH ARM COMPLETE R-L K54
11	954610304	SUPPORT, WASH ARM LOWER RIGHT - <b>FOR SERIAL NUMBER &lt; 30002987</b>
11	966261904	SUPPORT, WASH ARM LOWER RIGHT - <b>FOR SERIAL NUMBER &gt; 30002986</b>
12	9507883	SUPPORT RING
13	9500176	O-RING
14	9500051	CONNECTION, WASH DUCT
15	9609593	THROTTLE PLATE
16	8133003	ASCENDING PIPE - <b>STANDARD HOOD</b>
16	9553615	ASCENDING PIPE - <b>TALL HOOD</b>
17	9500037	LID

### 3.4 WASH SYSTEM K64

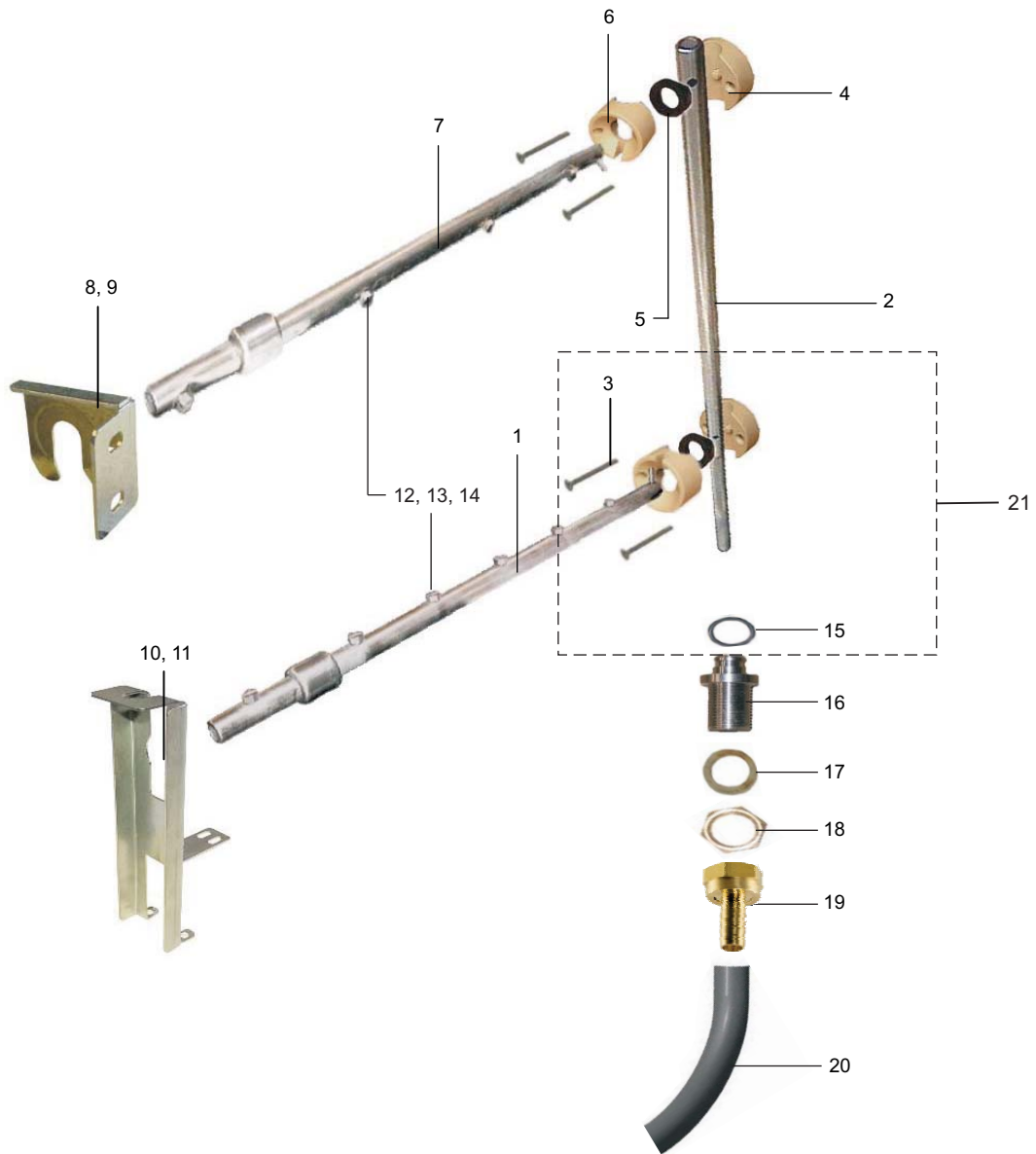




### 3.4 WASH SYSTEM K64

POS.	PART #	DESCRIPTION
1	8103357	BRACKET, UPPER WASH ARM FIXING
2	8103358	BRACKET, UPPER WASH ARM
3	954665403	SUPPORT LEFT
4	954665404	SUPPORT RIGHT
5	9544498	UPPER WASH ARM/POWER RINSE ARM COMPLETE K64
6	9548850	END CAP ASSEMBLY
7	9548515	TETHER
8	9662620	BRACKET, STIFFENING WASH ARM
9	954610303	SUPPORT, WASH ARM LOWER LEFT - <b>FOR SERIAL NUMBER &lt; 30002987</b>
9	966261903	SUPPORT, WASH ARM LOWER LEFT - <b>FOR SERIAL NUMBER &gt; 30002986</b>
10	9544500	LOWER WASH ARM/POWER RINSE ARM COMPLETE K64
11	954610304	SUPPORT, WASH ARM LOWER RIGHT - <b>FOR SERIAL NUMBER &lt; 30002987</b>
11	966261904	SUPPORT, WASH ARM LOWER RIGHT - <b>FOR SERIAL NUMBER &gt; 30002986</b>
12	9507883	SUPPORT RING
13	9500176	O-RING
14	9500051	CONNECTION, WASH DUCT
15	9609593	THROTTLE PLATE
16	8133003	ASCENDING PIPE - <b>STANDARD HOOD</b>
16	9553615	ASCENDING PIPE - <b>TALL HOOD</b>
17	9500037	LID

### 3.5 FRESH WATER FINAL RINSE



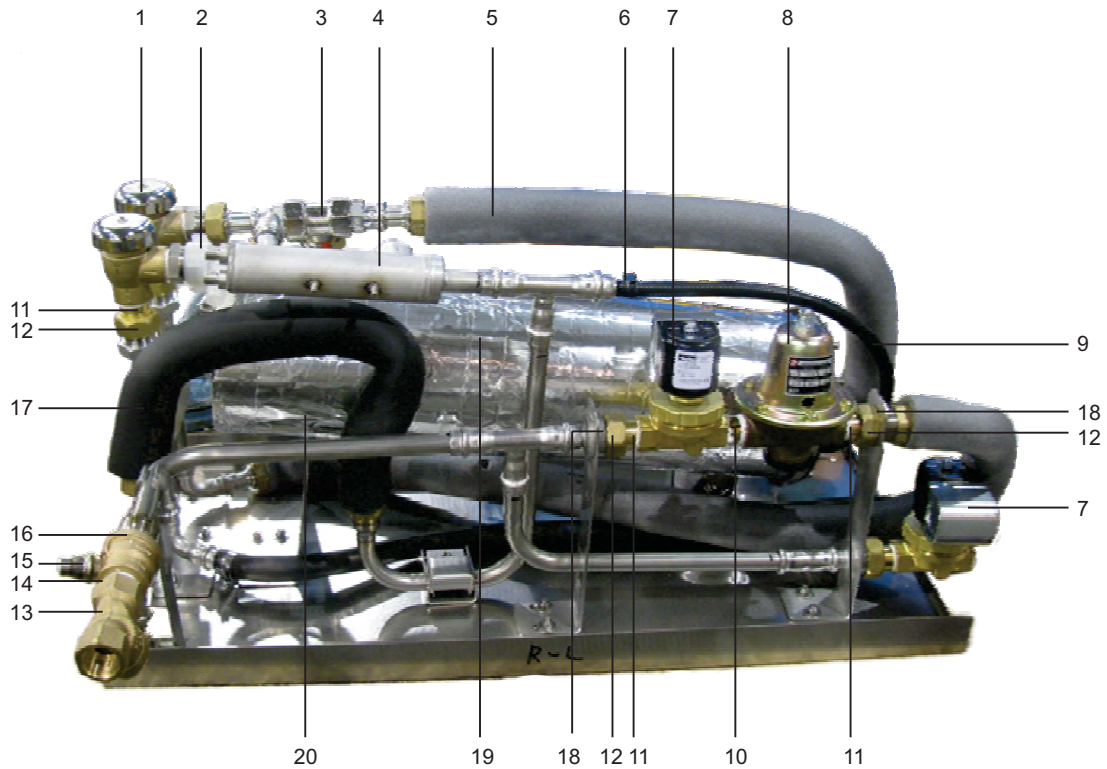


### 3.5 FRESH WATER FINAL RINSE

POS.	PART #	DESCRIPTION
1	<a href="#">9628342</a>	LOWER FINAL RINSE ARM CPL.
2	<a href="#">9544974</a>	ASCENDING TUBE - STD. HOOD NO BUILT IN BOOSTER
2	<a href="#">9553615</a>	ASCENDING TUBE - HIGH HOOD NO BUILT IN BOOSTER
2	<a href="#">9638159</a>	ASCENDING TUBE - STD. HOOD WITH BUILT IN BOOSTER
2	9207826	ASCENDING TUBE - HIGH HOOD WITH BUILT IN BOOSTER
3	<a href="#">0308204</a>	SCREW M4 X 30
4	<a href="#">9500043</a>	RINSE ARM ADAPTER - BACK
5	<a href="#">9500057</a>	GASKET
6	<a href="#">9500042</a>	RINSE ARM ADAPTER - FRONT
7	<a href="#">9628343</a>	UPPER FINAL RINSE ARM CPL.
8	9653636-01	UPPER RINSE ARM SUPPORT L-R
9	9653636-02	UPPER RINSE ARM SUPPORT R-L
10	9541191-01	LOWER FINAL RINSE ARM MOUNTING BRACKET L-R
11	9541191-02	LOWER FINAL RINSE ARM MOUNTING BRACKET R-L
12	<a href="#">0472030</a>	.3mm NOZZLE
13	<a href="#">0472031</a>	.5mm NOZZLE
14	<a href="#">0472032</a>	.8mm NOZZLE
15	<a href="#">9500282</a>	GASKET
16	<a href="#">9554014</a>	RINSE DUCT
17	<a href="#">0408009</a>	PACKING RING 27 X 38
18	<a href="#">8660097</a>	BRASS NUT - 3/4"
19	<a href="#">9666515</a>	BRASS HOSE BARB FITTING 3/4" STRAIGHT
20	<a href="#">9608600</a>	HOSE - 1/2"
21	<a href="#">9208455</a>	K-SERIES RINSE ARM CLUTCH KIT (INCLUDES UPPER AND LOWER)

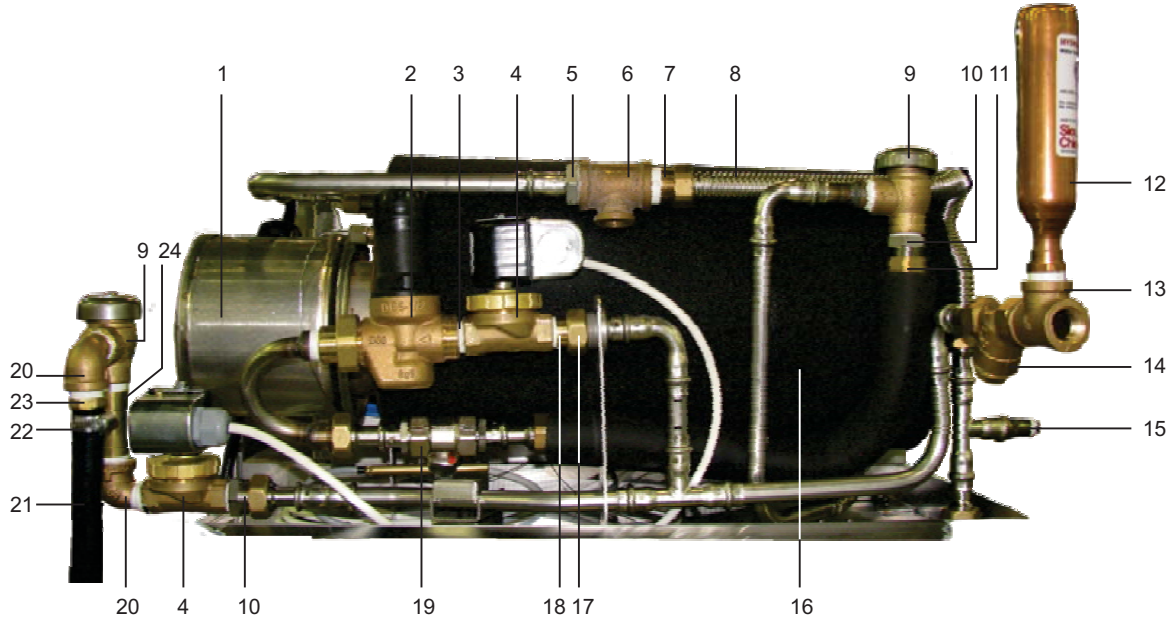


### 3.5.1 FRESH WATER FINAL RINSE BUILT IN BOOSTER



POS.	PART #	DESCRIPTION
1	<a href="#">9647252</a>	VACUUM BREAKER
2	<a href="#">9505201</a>	HOSE CONNECTION 90°
3	<a href="#">9208198</a>	FLOW CONTROL ASSEMBLY
4	<a href="#">9644143</a>	SENSOR TUBE
5	<a href="#">9520200</a>	CORRUGATED PIPE
6	<a href="#">9207780</a>	CLAMP
7	<a href="#">9208206</a>	SOLENOID VALVE ½" 24VAC
8	<a href="#">9553269</a>	PRESSURE REDUCING VALVE
9	0640017	HOSE (USE QTY: 0.6 METERS)
10	9663174	DOUBLE FITTING
11	<a href="#">8301035</a>	INSERT PIECE
12	<a href="#">0217424</a>	UNION NUT ¾"
13	<a href="#">0225002</a>	BRASS DIRT TRAP ½"
14	<a href="#">9651479</a>	BRASS CLOSE NIPPLE ½"
15	<a href="#">0330200</a>	SCREW PLUG
16	<a href="#">9629820</a>	BRASS REDUCER ¾" X ½"
17	0205085	CORRUGATED PIPE
18	<a href="#">0408003</a>	PACKING
19	<a href="#">9664458</a>	THERMAL INSULATION
20	9653698	BOILER TANK

### 3.5.2 FRESH WATER FINAL RINSE BUILT IN BOOSTER

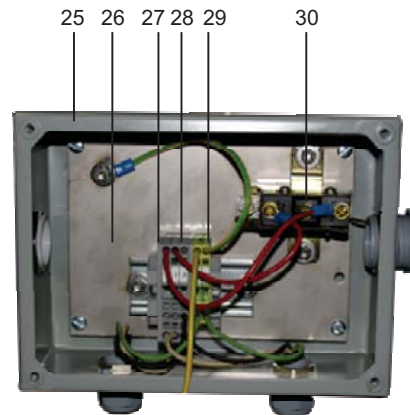
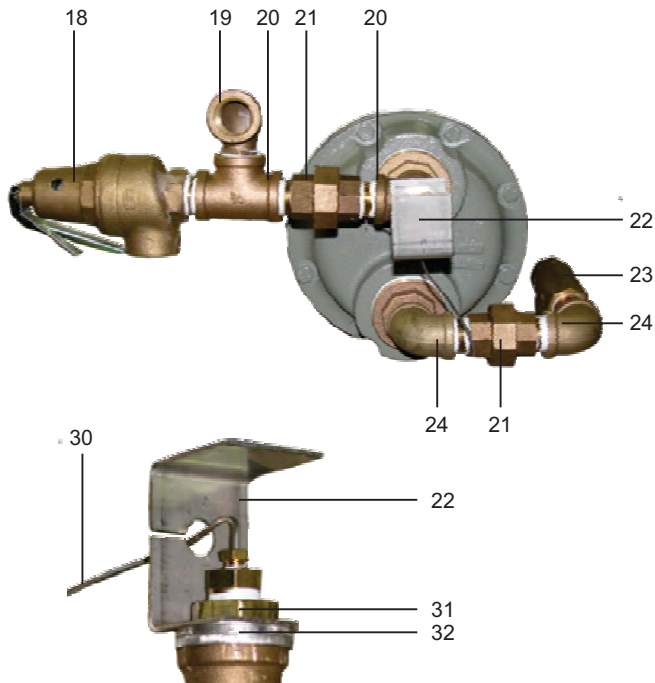
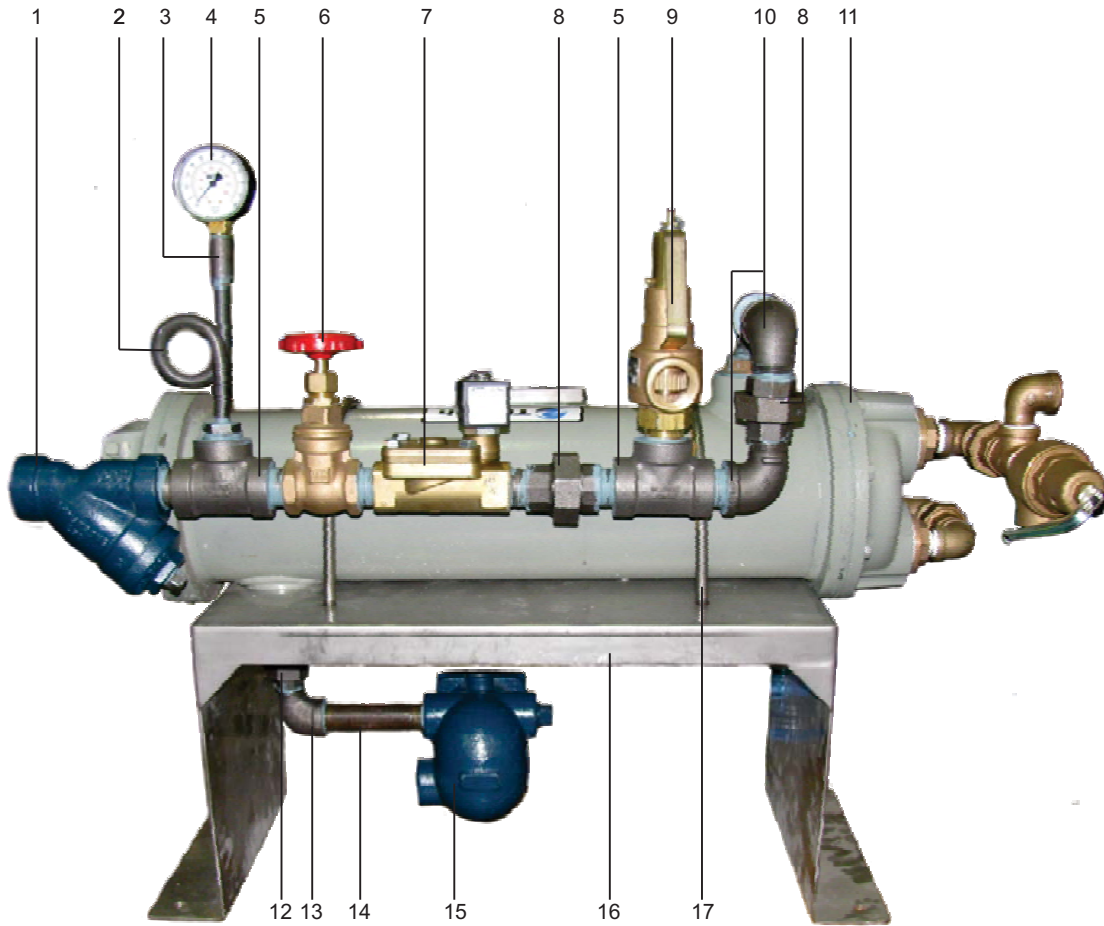




### 3.5.2 FRESH WATER FINAL RINSE BUILT IN BOOSTER

POS.	PART #	DESCRIPTION
1	9639479	BOOSTER ELEMENT COVER
2	9207833	PRESSURE REDUCING VALVE 1/2"
3	9651479	CLOSE NIPPLE BRASS 1/2"
4	9208206	SOLENOID VALVE 1/2" 24VAC
5	9529566	TRANSITION NIPPLE
6	9208549	TEE BRASS 3/4" X 1/2" X 3/4"
7	9250036	CLOSE NIPPLE BRASS 3/4"
8	0640017	HOSE
9	9647252	VACUUM BREAKER 1/2"
10	8134168	DOUBLE NIPPLE 1/2" X 3/4"
11	0640017	HOSE
12	9207758	WATER HAMMER ARRESTOR
13	9651473	TEE BRASS 1/2"
14	0225002	DIRT TRAP BRASS 1/2"
15	9663180	DOSING NIPPLE
16	9698189	BOOSTER TANK
	9208552	INSULATION WRAP
	9208553	BACK INSULATION
17	0217424	UNION NUT 3/4"
18	8301035	INSERT PIECE
19	9208198	FLOW CONTROL ASSEMBLY
20	0215019	STREET ELBOW 90 DEGREE BRASS 1/2"
21	9608600	HOSE 1/2"
22	0233043	HOSE CLAMP
23	9207170	HOSE BARB BRASS 1/2" X 1/2"
24	9651470	NIPPLE BRASS 1/2" X 3"

### 3.5.3 EXTERNAL STEAM BOOSTER HEATER

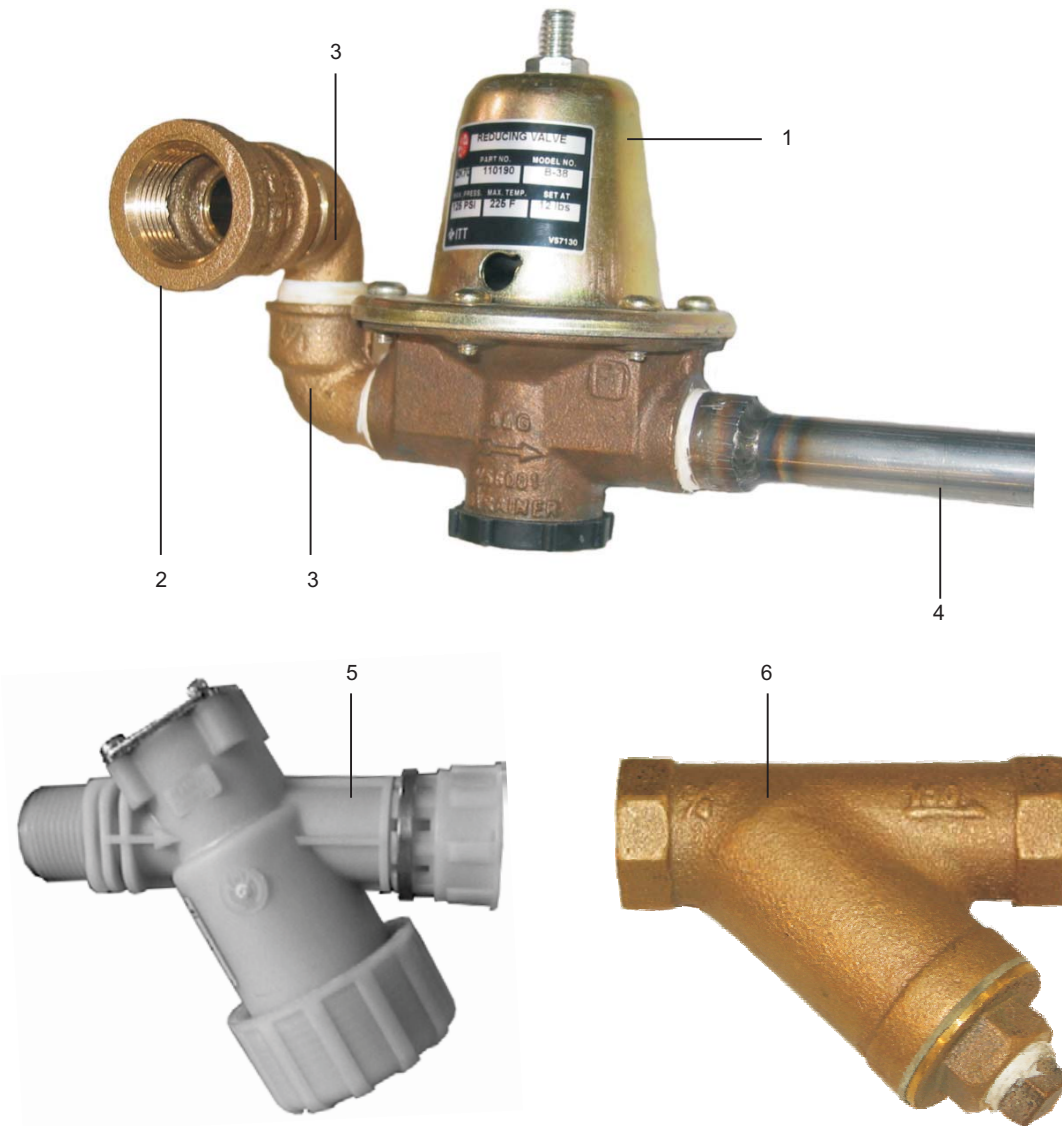




### **3.5.3 EXTERNAL STEAM BOOSTER HEATER**

POS.	PART #	DESCRIPTION
1	<a href="#">9305429</a>	Y-STRAINER
2	<a href="#">9207319</a>	SIPHON TUBE 1/4"
3	<a href="#">9207320</a>	COUPLER 1/4" NPT BLACK STEEL
4	<a href="#">9546261</a>	PRESSURE GAUGE
5	<a href="#">9207119</a>	PIPE TEE 1"
6	<a href="#">9250163</a>	GATE VALVE 1"
7	<a href="#">9207049</a>	SOLENOID VALVE STEAM 1"
8	<a href="#">9207069</a>	UNION BLACK IRON 1"
9	<a href="#">9207078</a>	POP OFF VALVE 50 PSI 1"
10	<a href="#">9207067</a>	STREET 90 BLACK IRON 1"
11	<a href="#">9207042</a>	HEAT EXCHANGER MODEL 260
12	<a href="#">9250028</a>	UNION BLACK IRON 3/4"
13	<a href="#">9250029</a>	STREET 90 BLACK IRON 3/4"
14	<a href="#">9250025</a>	NIPPLE BLACK IRON 3/4" X 5"
15	<a href="#">9303599</a>	STEAM TRAP 3/4"
16	<a href="#">9207046</a>	HEATER PLATFORM
17	<a href="#">9308521</a>	U-BOLT 6"
18	<a href="#">9250159</a>	PRESSURE RELIEF VALVE 3/4" 125 PSI
19	<a href="#">0215036</a>	STREET ELBOW 90 BRASS 3/4"
20	<a href="#">9250052</a>	TEE THREADED BRASS 3/4"
21	<a href="#">9250054</a>	UNION THREADED BRASS 3/4"
22	<a href="#">9250182</a>	THERMOSTAT HOLDER FOR STEAM BOOSTER
23	<a href="#">9250055</a>	Y-STRAINER BRASS 3/4"
24	<a href="#">9250053</a>	THREADED 90 BRASS 3/4"
25	<a href="#">9250187</a>	ELECTRICAL CONTROL BOX
26	<a href="#">9250188</a>	PLATE FOR ELECTRICAL CONTROL BOX
27	<a href="#">0153073</a>	WAGO END CAP
28	<a href="#">0153043</a>	WAGO TERMINAL BLOCK
29	<a href="#">0153045</a>	WAGO TERMINAL BLOCK GROUND
30	<a href="#">9207051</a>	THERMOSTAT STEMCO
31	<a href="#">9207006</a>	REDUCER BRASS 3/4" X 3/8"
32	<a href="#">9250183</a>	WASHER

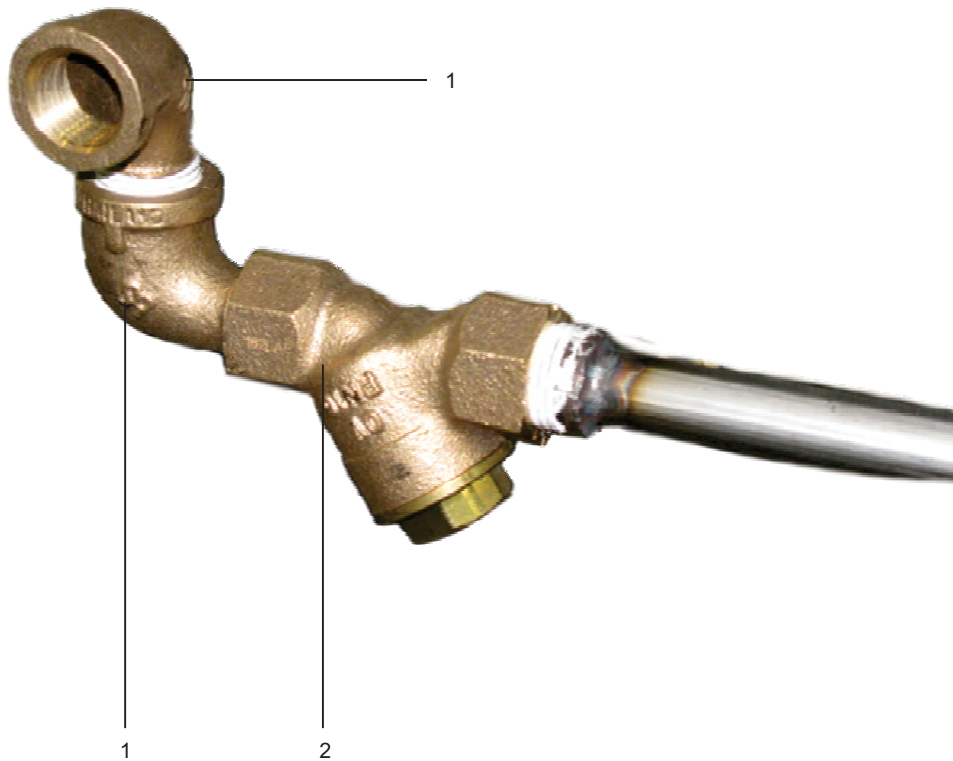
## 4.1 WATER INLET WITH PRV



POS.	PART #	DESCRIPTION
1	<a href="#">9553269</a>	PRESSURE REDUCING VALVE
	9207019	PRESSURE REDUCING VALVE - WATTS (OBSOLETE)
	<a href="#">9207528</a>	PRV CONVERSION KIT
2	<a href="#">9629820</a>	3/4" X 1/2" BELL REDUCER BRASS
3	<a href="#">0215019</a>	ELBOW 1/2" NPT BRASS
4	<a href="#">9651306</a>	WELDMENT, PRESSURE REGULATOR TUBE
5	<a href="#">9500489</a>	DIRT TRAP 3/4" PLASTIC
6	<a href="#">9303958</a>	DIRT TRAP 3/4" BRASS

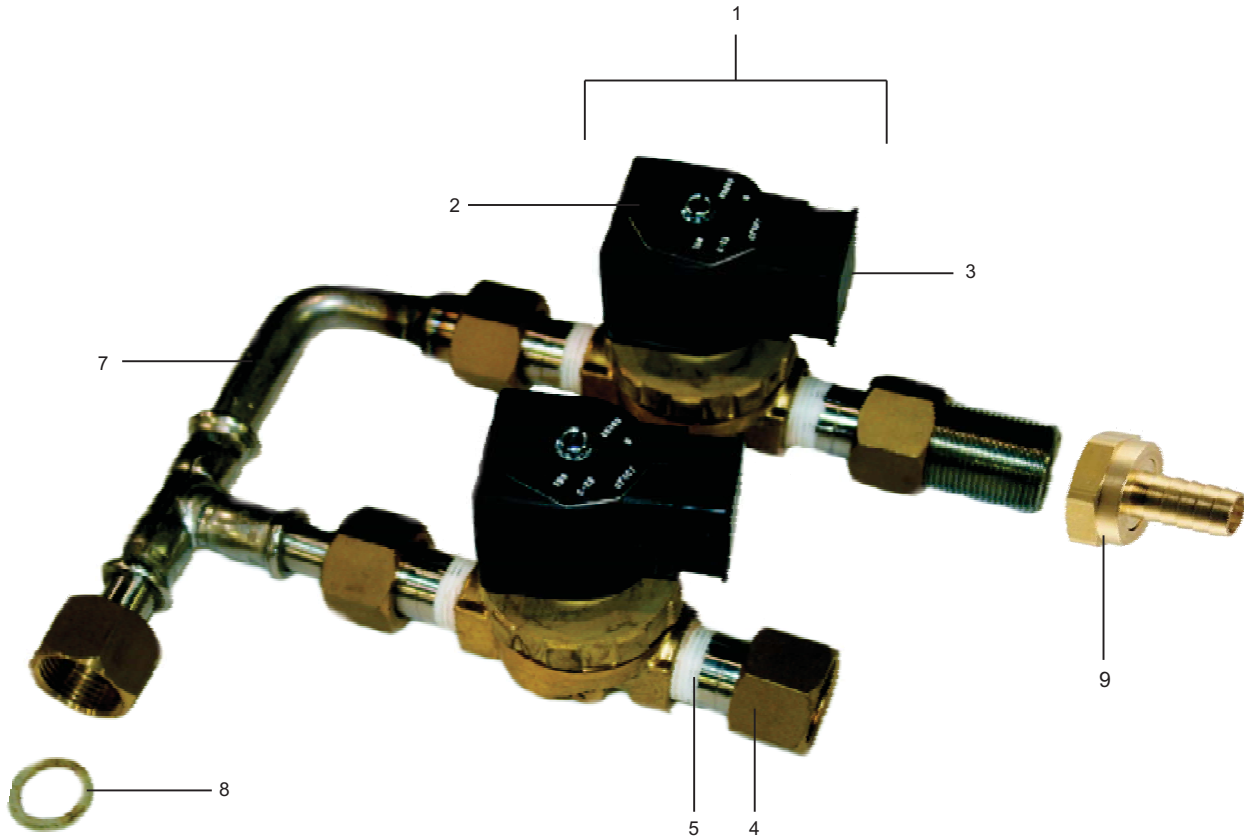


**4.2 WATER INLET WITHOUT PRV NO BUILT IN BOOSTER**  
**ONLY VALID FOR SERIAL NUMBERS AFTER 30002671**



POS.	PART #	DESCRIPTION
1	<a href="#">0215019</a>	ELBOW 1/2" NPT BRASS
2	<a href="#">0225002</a>	BRASS DIRT TRAP 1/2"

### 4.3 SOLENOID VALVES - NO BUILT IN BOOSTER



POS.	PART #	DESCRIPTION
1	<a href="#">9208206</a>	SOLENOID VALVE 24VAC 1/2"
2	<a href="#">9250137</a>	SOLENOID VALVE COIL - FOR DIN-STYLE VALVE ONLY
3	<a href="#">0113029</a>	DIN PLUG
4	<a href="#">0212020</a>	SWIVEL NUT
5	<a href="#">9516131</a>	INSERT PIECE
6	<a href="#">9250138</a>	SOLENOID VALVE REBUILD KIT - NOT SHOWN
7	<a href="#">9547284</a>	PIPELINE
8	<a href="#">0408003</a>	PACKING 25 X 38 X 8MM
9	<a href="#">9666515</a>	BRASS HOSE BARB FITTING 3/4"





## **4.4 VACUUM BREAKER PLUMBING ASSEMBLY**

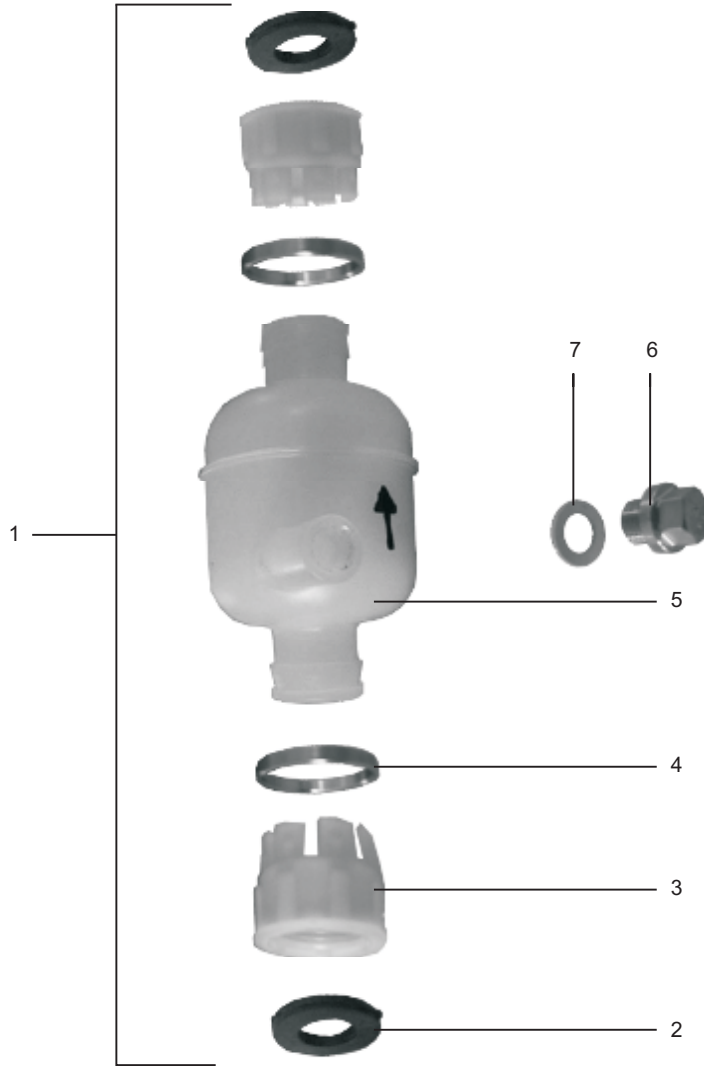
**ONLY FOR MACHINES WITHOUT BUILT IN BOOSTER**

**ONLY VALID FOR SERIAL NUMBERS AFTER 30001029**

POS.	PART #	DESCRIPTION
1	<a href="#">9647252</a>	VACUUM BREAKER 1/2"
	<a href="#">9207254</a>	VACUUM BREAKER REPAIR KIT
2	<a href="#">9516131</a>	INSERT PIECE
3	<a href="#">0212020</a>	UNION NUT BRASS
4	<a href="#">9651470</a>	NIPPLE 1/2" NPT X 3" BRASS
5	<a href="#">9651473</a>	TEE 1/2" NPT BRASS
6	<a href="#">9651478</a>	REDUCER BUSHING 1/2" NPT X 1/8" NPT BRASS
7	<a href="#">9651535</a>	PLUG 1/8" NPT BRASS
8	<a href="#">9651479</a>	CLOSE NIPPLE 1/2" NPT BRASS
9	<a href="#">9651460</a>	CROSS 1/2" NPT BRASS
10	<a href="#">9651477</a>	REDUCER BUSHING 1/2" NPT X 1/4" NPT BRASS
11	<a href="#">9546261</a>	PRESSURE GAUGE
12	<a href="#">9651336</a>	PIPEWORK WELDMENT RINSE VACUUM BREAKER INLET - <b><u>STANDARD HOOD</u></b>
12	<a href="#">9651339</a>	PIPEWORK WELDMENT RINSE VACUUM BREAKER INLET - <b><u>TALL HOOD</u></b>
13	<a href="#">9651310</a>	WELDMENT RINSE / FILL VACUUM BREAKER OUTLET - <b><u>STANDARD HOOD</u></b>
13	<a href="#">9651316</a>	WELDMENT RINSE / FILL VACUUM BREAKER OUTLET - <b><u>TALL HOOD</u></b>
14	<a href="#">9651325</a>	WELDMENT RINSE / FILL VACUUM BREAKER INLET - <b><u>STANDARD HOOD</u></b>
14	<a href="#">9651332</a>	WELDMENT RINSE / FILL VACUUM BREAKER INLET - <b><u>TALL HOOD</u></b>
15	<a href="#">0215019</a>	ELBOW 1/2" NPT BRASS

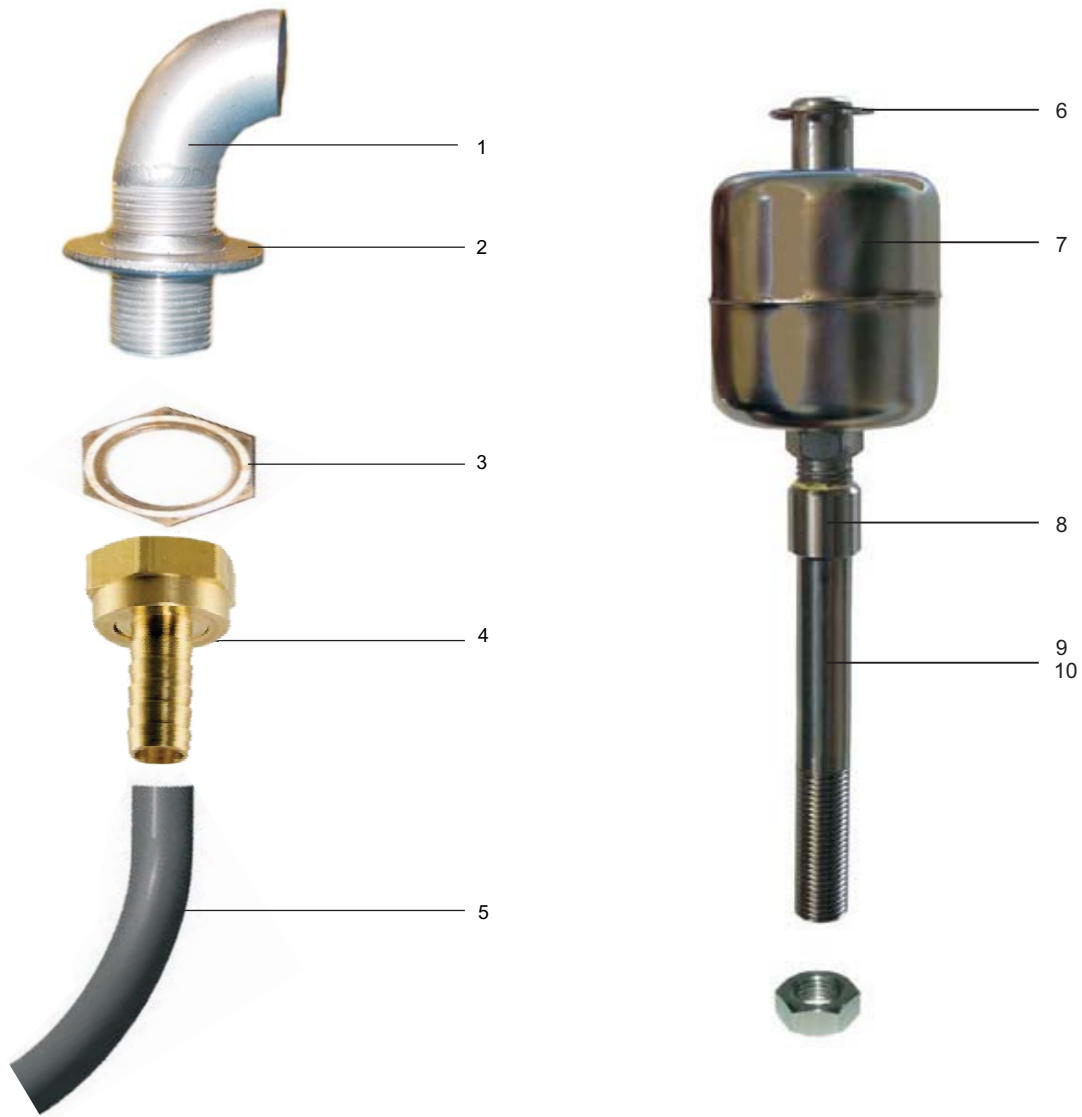
## 4.5 RINSE-AID MIXING CHAMBER

FOR SERIAL NUMBERS PRIOR TO 30001029



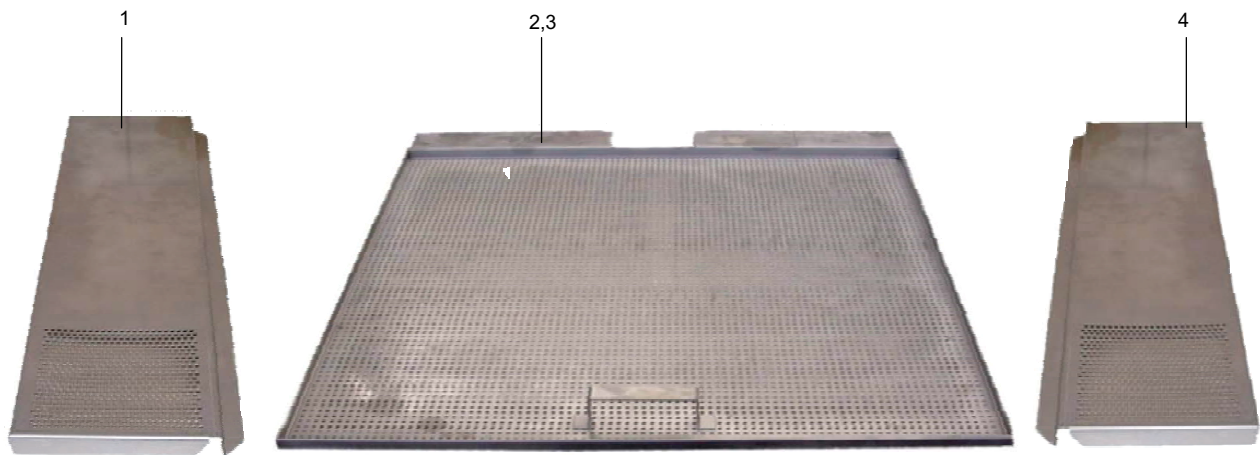
POS.	PART #	DESCRIPTION
1	9513107	MIXING CHAMBER ASSEMBLY CPL.
2	0408225	PACKING
3	0113129	CONNECTION PIECE
4	8302895	RING
5	9505394	MIXING CHAMBER
6	0340010	SCREW 1/8"
7	0408002	PACKING

## 4.6 WASH TANK FOAT SWITCH



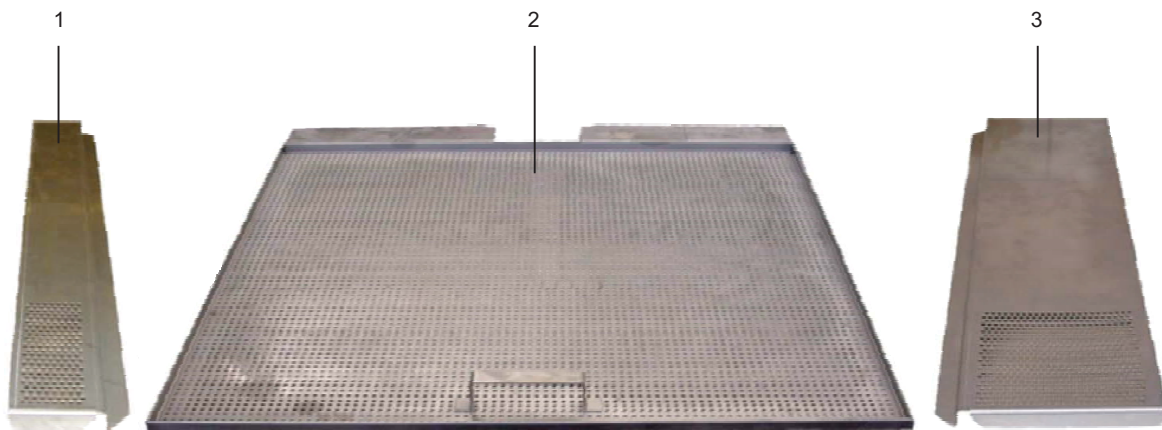
POS.	PART #	DESCRIPTION
1	<a href="#">8132515</a>	FILL HOOK
2	<a href="#">8104009</a>	THIN NUT
3	<a href="#">8660097</a>	BRASS NUT
4	<a href="#">9666515</a>	BRASS HOSE BARB FITTING 3/4"
5	<a href="#">9608600</a>	HOSE 1/2"
6	<a href="#">9207132</a>	FLOAT CLIP
7	<a href="#">0130023</a>	FLOAT SWITCH
8	<a href="#">8250807</a>	COUPLING
9	<a href="#">8250805</a>	DOUBLE NIPPLE L=4-17/32"
10	<a href="#">8250806</a>	DOUBLE NIPPLE L=2-61/64"

## 5.1 WASH TANK SIEVE K44 / K54



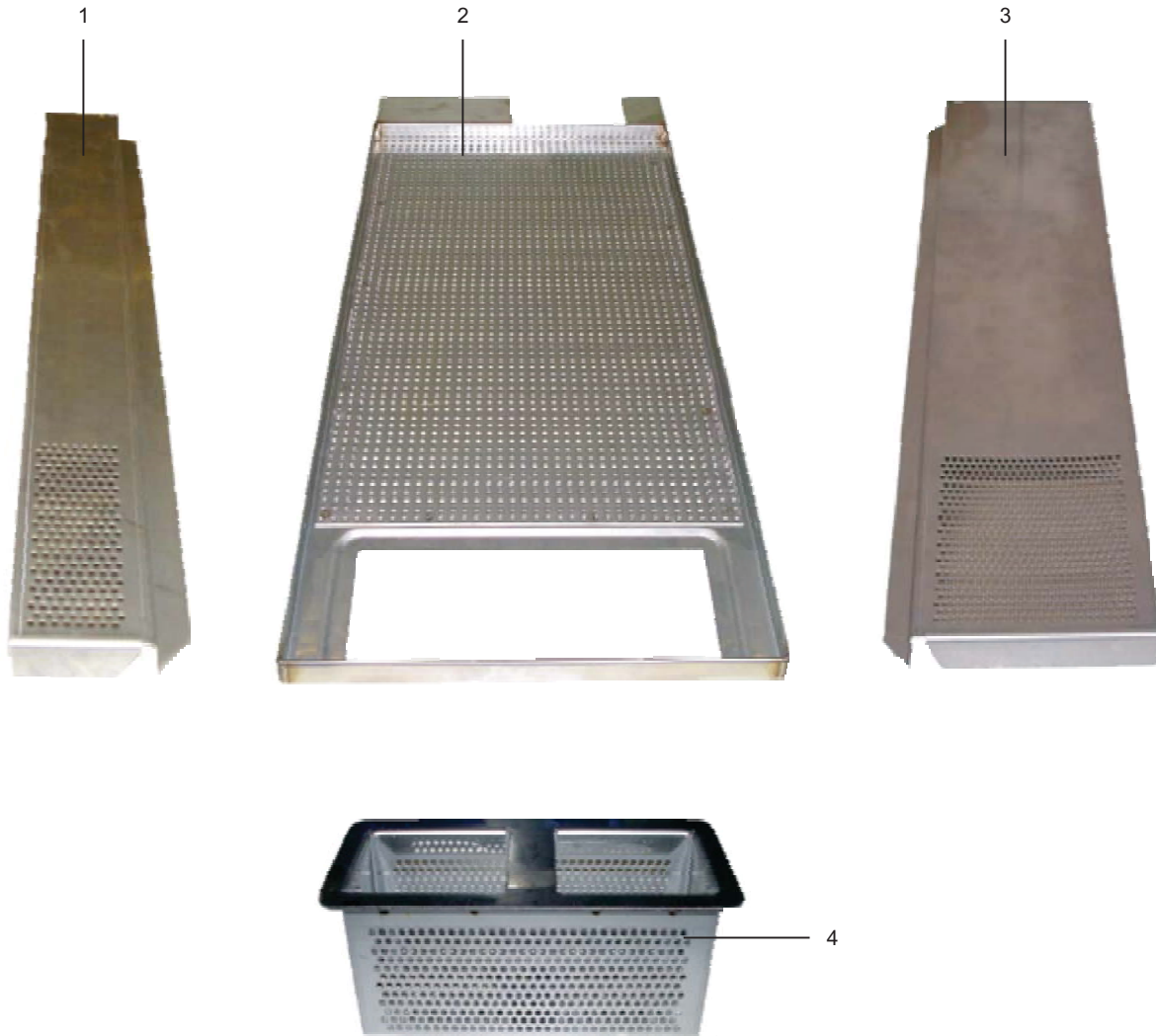
POS.	PART #	DESCRIPTION
1	<a href="#">8132013</a>	LARGE SIEVE SUPPORT LEFT K44 / K54
2	<a href="#">9623693</a>	TANK SIEVE K44
3	9542816	TANK SIEVE K54
4	<a href="#">9550276</a>	LARGE SIEVE SUPPORT RIGHT

## 5.2 WASH / POWER RINSE TANK SIEVE K64



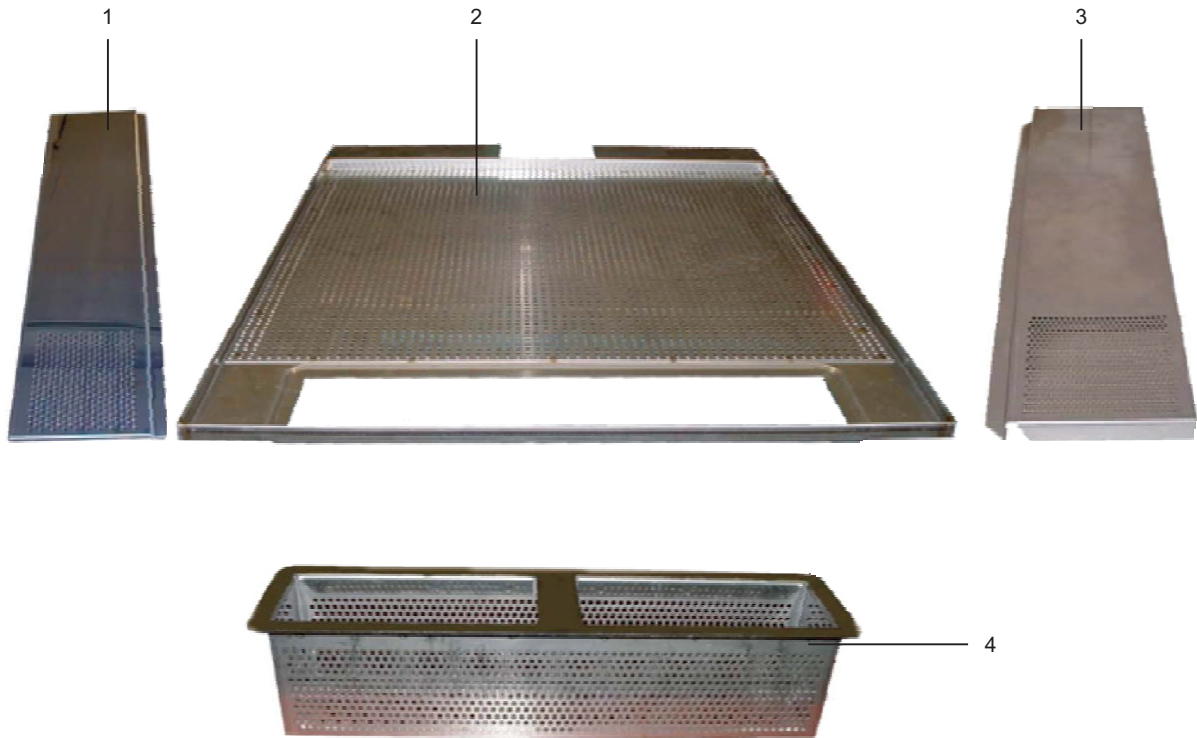
POS.	PART #	DESCRIPTION
1	<a href="#">8132012</a>	SMALL SIEVE SUPPORT LEFT K64 / PW22
2	<a href="#">9623721</a>	TANK SIEVE K64
3	<a href="#">9550276</a>	TANK SIEVE SUPPORT RIGHT

### 5.3 PREWASH TANK SIEVE PW22



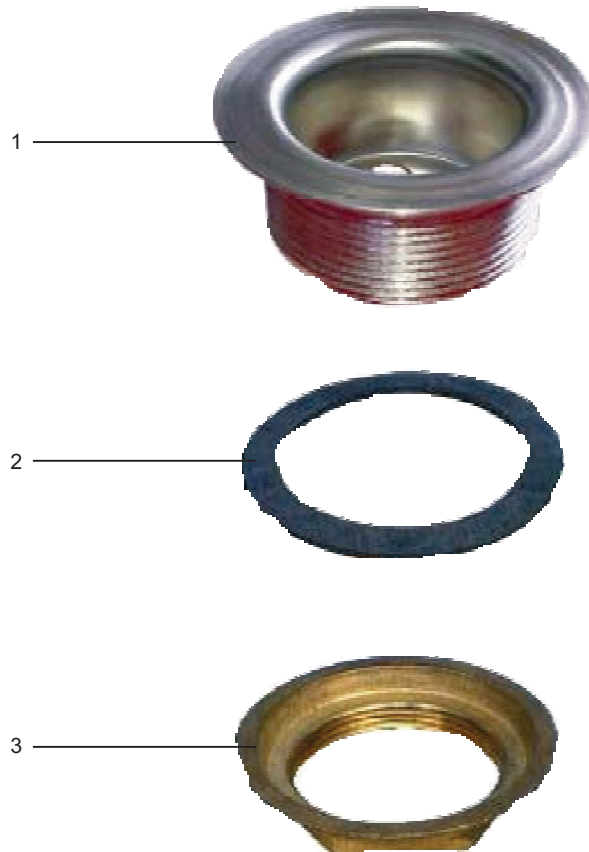
POS.	PART #	DESCRIPTION
1	<a href="#">8132012</a>	SMALL SIEVE SUPPORT LEFT K64 / PW22
2	<a href="#">9547757</a>	TANK SIEVE PW22
3	<a href="#">9550276</a>	TANK SIEVE SUPPORT RIGHT
4	<a href="#">8103463</a>	SIEVE BASKET PW22

## 5.4 PREWASH TANK SIEVE PW36



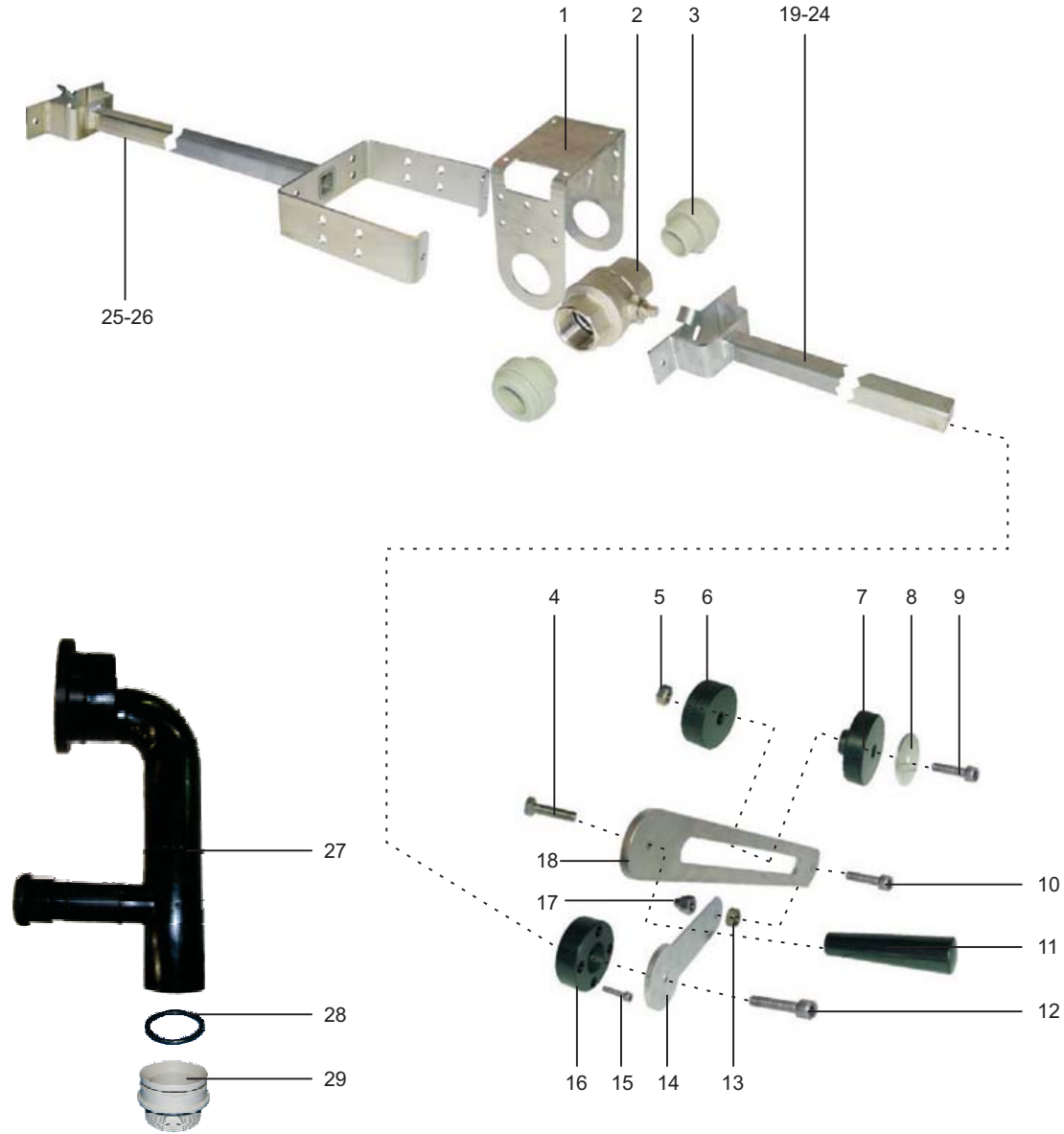
POS.	PART #	DESCRIPTION
1	<a href="#">8132013</a>	LARGE SIEVE SUPPORT LEFT K44 / K54
2	<a href="#">9547491</a>	TANK SIEVE PW36
3	<a href="#">9550276</a>	TANK SIEVE SUPPORT RIGHT
4	<a href="#">8103193</a>	SIEVE BASKET PW36

## 5.5 TANK DRAIN



POS.	PART #	DESCRIPTION
1	<a href="#">0237003</a>	DRAIN
2	<a href="#">0408224</a>	RUBBER GASKET
3	<a href="#">0237008</a>	NUT

# 5.5 TANK DRAIN

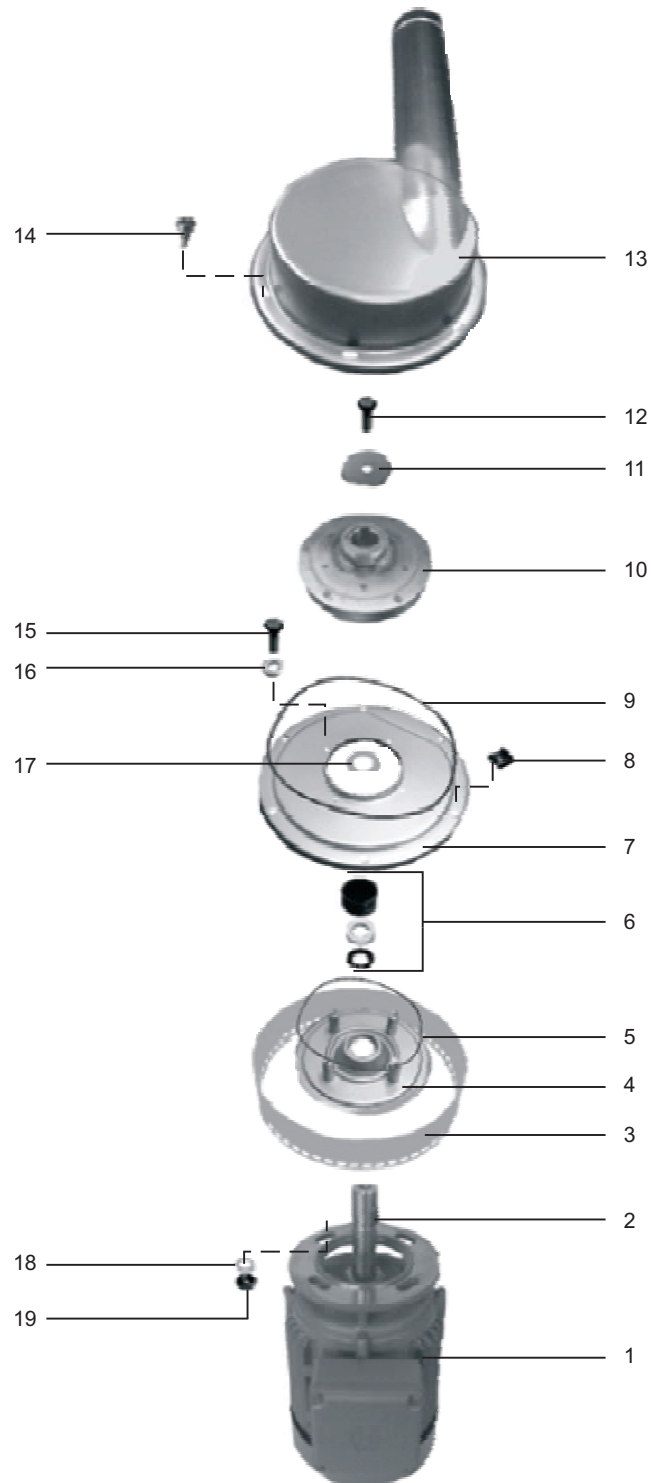




## 5.5 TANK DRAIN

POS.	PART #	DESCRIPTION
1	9548767	SUPPORT 120MM X 168MM
2	0237044	BALL VALVE 1-1/2"
3	9548766	REDUCTION BUSHING
4	0302010	HEX SCREW M8 X 20
5	0337003	HEX NUT M6
6	9549310	BEARING
7	9549311	BEARING
8	9550020	DISK
9	0304056	FLAT HEAD SCREW
10	0304008	CYLINDER SCREW
11	9646345	SLEEVE HANDLE 50MM LONG M8
12	9551082	CYLINDRICAL SCREW
13	9625033	BUSHING DRAIN VALVE
14	9625036	LEVER
15	9551080	CYLINDRICAL SCREW M5 X 20
16	9548781	BEARING
17	0336051	CAP NUT
18	9549301	LEVER - <b>NO POWER LOADER/UNLOADER</b>
18	9609349	LEVER - <b>WITH POWER LOADER/UNLOADER</b>
19	9549308	DRAIN LEVER K44 / K54 <b>L-R</b> (15-55/64")
20	9549577	DRAIN LEVER PW22 <b>L-R</b> (16-7/32")
21	9549580	DRAIN LEVER PW36 <b>L-R</b> (30-9/32")
22	9549574	DRAIN LEVER K44 <b>R-L</b> (38-5/16")
23	9549575	DRAIN LEVER K54 <b>R-L</b> (48-5/16")
24	9549502	DRAIN LEVER PW22 / PW36 <b>R-L</b> (3-11/32")
25	9549583	DRAIN LEVER K64 <b>L-R</b> (25-45/64")
26	9549498	DRAIN LEVER K64 <b>R-L</b> (32-19/32")
27	9511779	DRAIN PIPING
28	9207143	O-RING
29	9648203	DRAIN ADAPTER

**6.1 WASH PUMP 2.2KW 60 HZ**

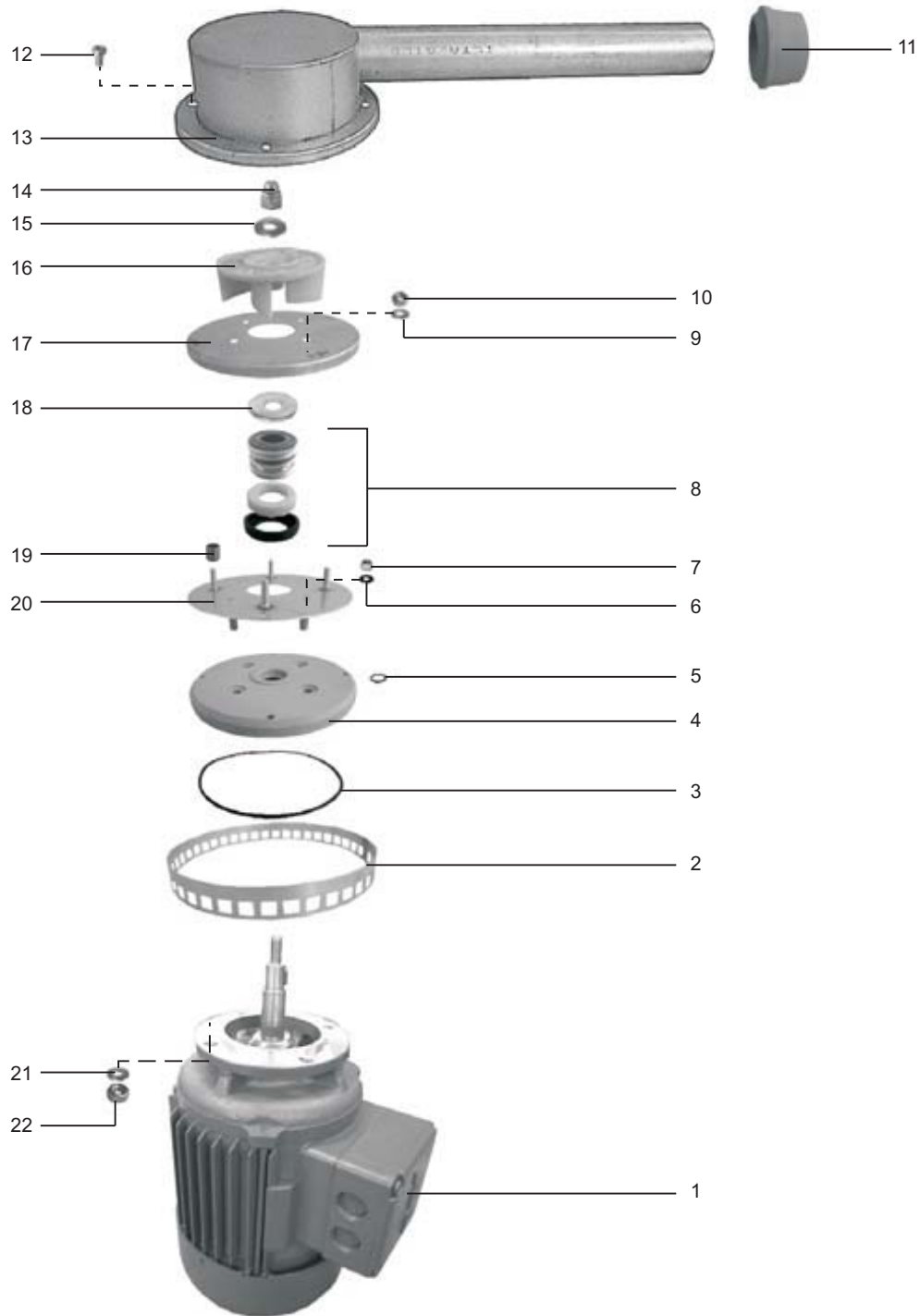




## **6.1 WASH PUMP 2.2KW 60 HZ**

<b>POS.</b>	<b>PART #</b>	<b>DESCRIPTION</b>
1	<a href="#">9531704</a>	MOTOR 2.2KW 208 - 230V
1	<a href="#">9528468</a>	MOTOR 2.2KW 460V
2	<a href="#">0355105</a>	FEATHER KEY
3	<a href="#">8103177</a>	PUMP SIEVE
4	<a href="#">8103179</a>	MOTOR SUPPORT
5	<a href="#">9500177</a>	O-RING
6	<a href="#">9207769</a>	PUMP SEAL KIT
7	<a href="#">9500054</a>	PUMP BOTTOM
8	<a href="#">9500056</a>	NUT
9	<a href="#">9500178</a>	O-RING FOR PUMP HOUSING
10	<a href="#">8101625</a>	PUMP WHEEL 60 HZ
11	<a href="#">8100251</a>	WASHER
12	<a href="#">0302002</a>	HEXAGON SCREW M6 X 20
13	<a href="#">8103436</a>	PUMP COVER
14	<a href="#">0308210</a>	RECESSED HEAD SCREW M6 X 10
15	<a href="#">0302055</a>	HEXAGON SCREW
16	<a href="#">0341012</a>	LOCK WASHER
17	<a href="#">8100131</a>	WASHER
18	<a href="#">0340006</a>	WASHER BRASS NICKLE-PLATED
19	<a href="#">0335015</a>	NUT M8

## 6.2 PRE-WASH PUMP 0.55KW 60 HZ PW22

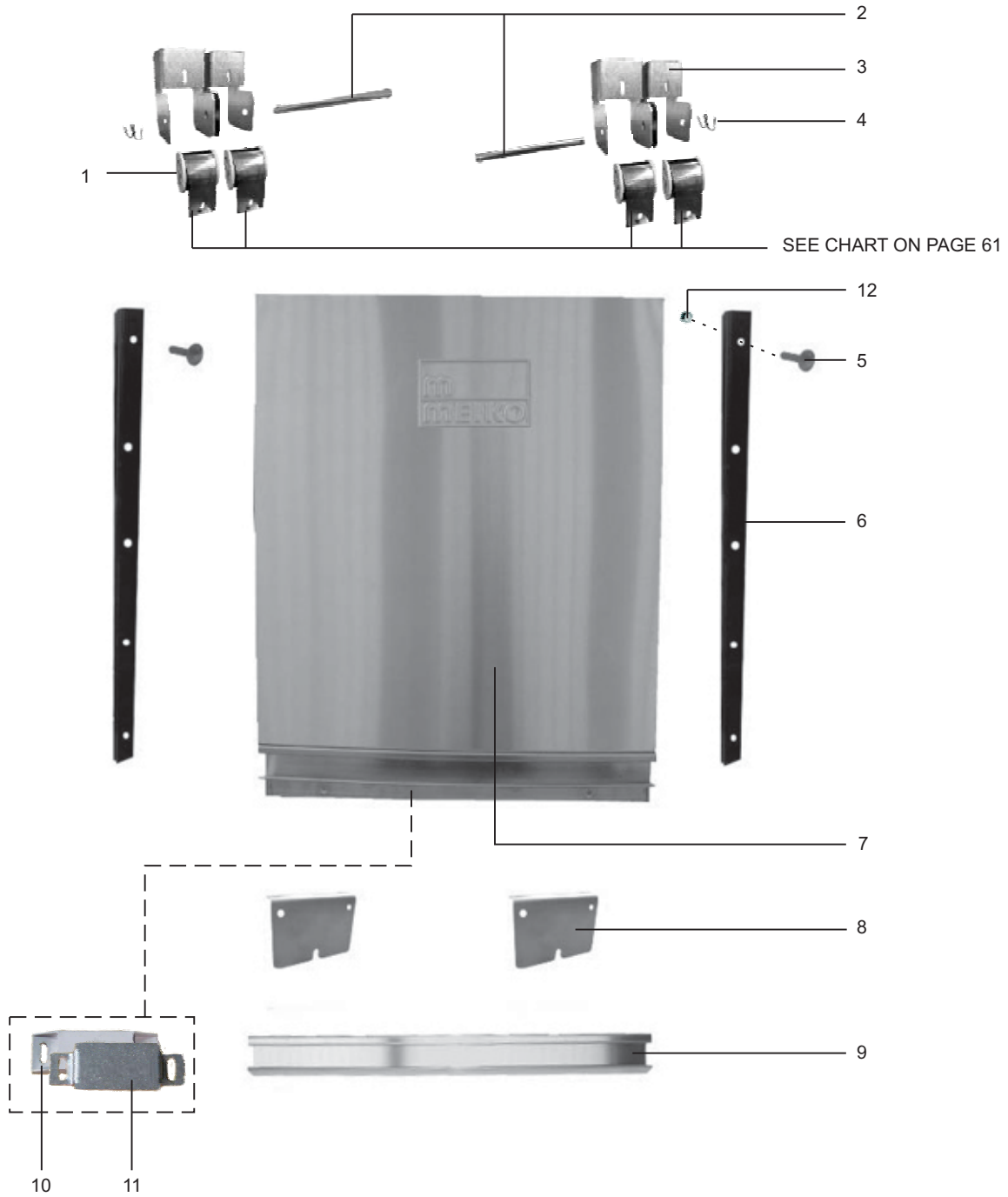




## 6.2 PRE-WASH PUMP 0.55KW 60 HZ PW22

POS.	PART #	DESCRIPTION
1	9531816	MOTOR 0.55 KW 208 - 230V
1	9531706	MOTOR 0.55 KW 460V
2	8103476	SUCTION SIEVE
3	0401070	O-RING
4	8103487	SUPPORT
5	0401042	O-RING
6	0340001	WASHER
7	0337001	NUT M5
8	9207770	PUMP SEAL KIT 0.55 KW
9	0340010	WASHER
10	0337003	NUT M6
11	8103473	ADAPTER
12	0308210	SCREW M6 X 10
13	9501447	PUMP LID
14	0336052	NUT M8
15	0340002	WASHER
16	8130697	IMPELLER
17	8103475	PUMP BASE CPL. 0.55 KW
18	8103477	WASHER
19	8103674	SPACER
20	8103584	MOTOR SUPPORT
21	0340002	WASHER
22	0335050	NUT M8

# 7.1 WASH TANK DOOR K44 31-1/32" (788mm)



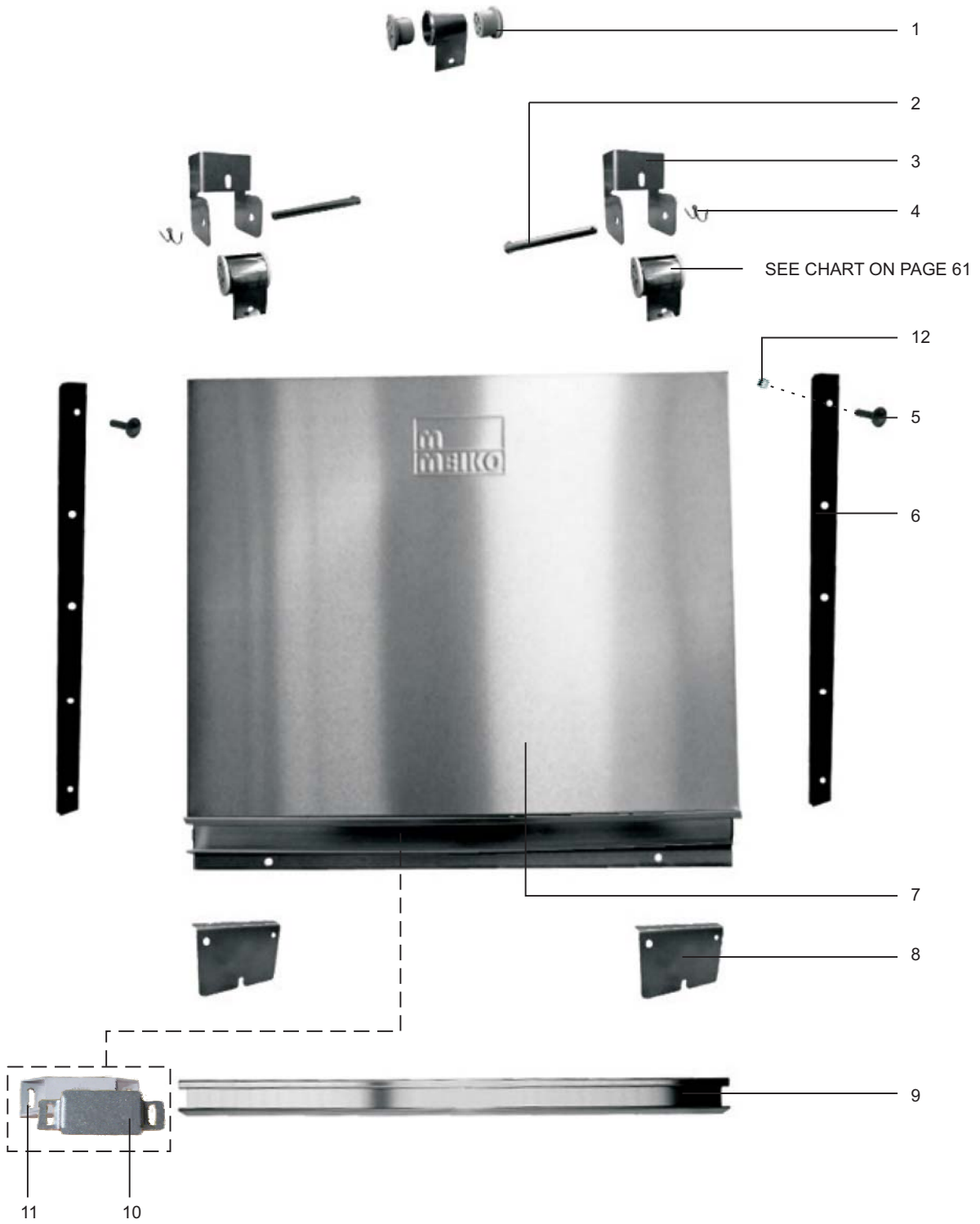


## 7.1 WASH TANK DOOR K44 31-1/32" (788mm)

POS.	PART #	DESCRIPTION
1	<a href="#">0620284</a>	BEARING ROLLER
2	<a href="#">8100910</a>	BEARING BOLT 5/16" X 3-5/64"/
3	<a href="#">8100868</a>	SCROLL SPRING SUPPORT
4	0351004	SPLIT PIN
5	9207107	CARRIAGE BOLT M5 X 22MM
6	<a href="#">9501665</a>	SLIDING RAIL - <b>STANDARD HOOD</b>
6	<a href="#">9553564</a>	SLIDING RAIL - <b>TALL HOOD</b>
7	<a href="#">9546025</a>	K44 DOOR - <b>STANDARD HOOD</b>
7	<a href="#">9553559</a>	K44 DOOR - <b>TALL HOOD</b>
8	<a href="#">8130763</a>	DOOR ANGLE
9	<a href="#">9503551</a>	HANDLE
10	<a href="#">9207771</a>	DOOR MAGNET
11	<a href="#">9662668</a>	MAGNET BRACKET
12	<a href="#">0337001</a>	LOCK NUT M5



**7.2 WASH TANK DOOR K54 41-1/32" (1042mm)**



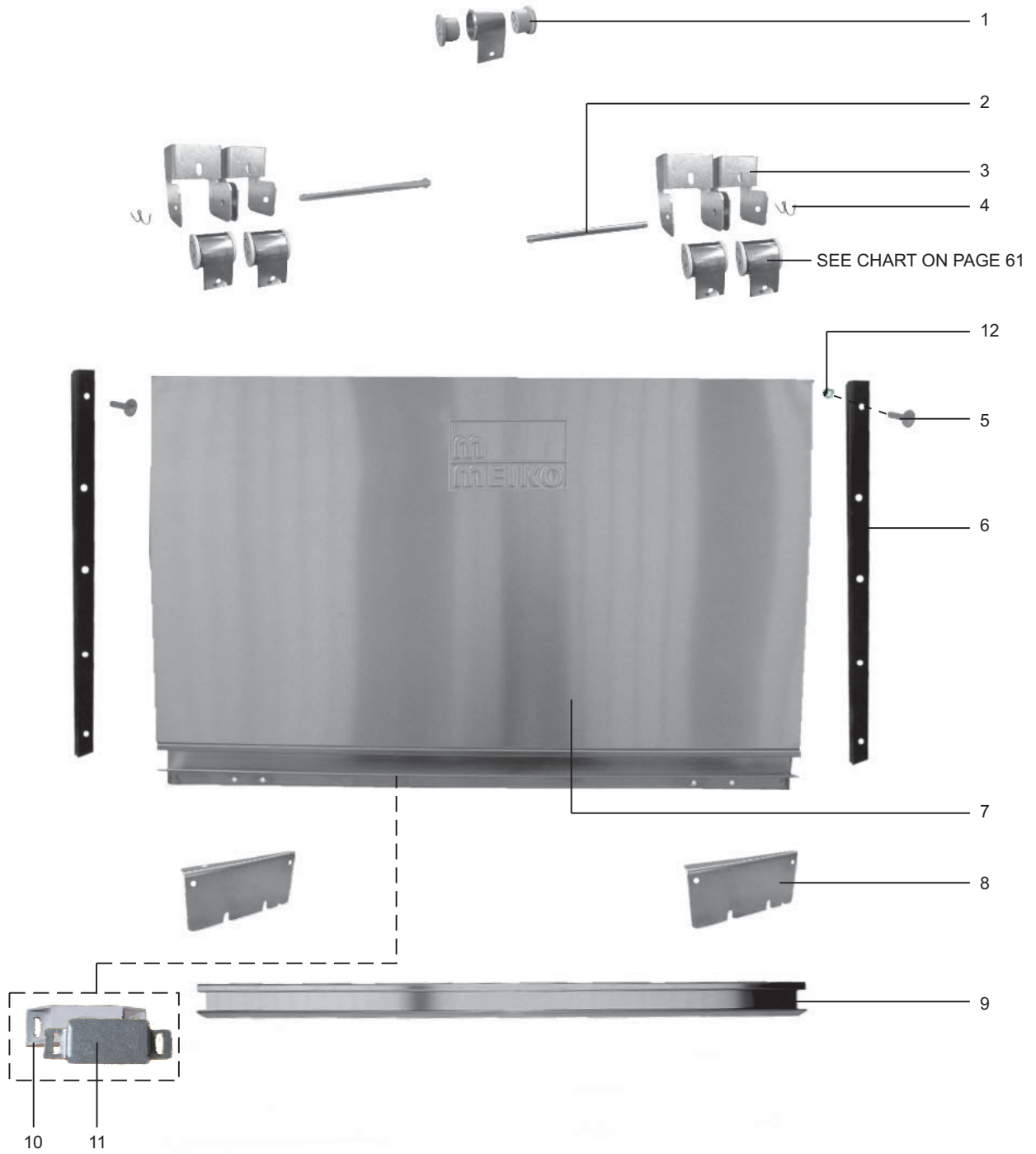


## 7.2 WASH TANK DOOR K54 41-1/32" (1042mm)

POS.	PART #	DESCRIPTION
1	<a href="#">0620284</a>	BEARING ROLLER
2	<a href="#">8100910</a>	BEARING BOLT 5/16" X 3-5/64"/
3	<a href="#">8100868</a>	SCROLL SPRING SUPPORT
4	0351004	SPLIT PIN
5	9207107	CARRIAGE BOLT M5 X 22MM
6	<a href="#">9501665</a>	SLIDING RAIL - <b>STANDARD HOOD</b>
6	<a href="#">9553564</a>	SLIDING RAIL - <b>TALL HOOD</b>
7	<a href="#">9546040</a>	K54 DOOR - <b>STANDARD HOOD</b>
7	<a href="#">9553560</a>	K54 DOOR - <b>TALL HOOD</b>
8	<a href="#">8130763</a>	DOOR ANGLE
9	9542220	HANDLE
10	<a href="#">9207771</a>	DOOR MAGNET
11	<a href="#">9662668</a>	MAGNET BRACKET
12	<a href="#">0337001</a>	LOCK NUT M5



### 7.3 WASH TANK DOOR K64 51-1/32" (1296mm)

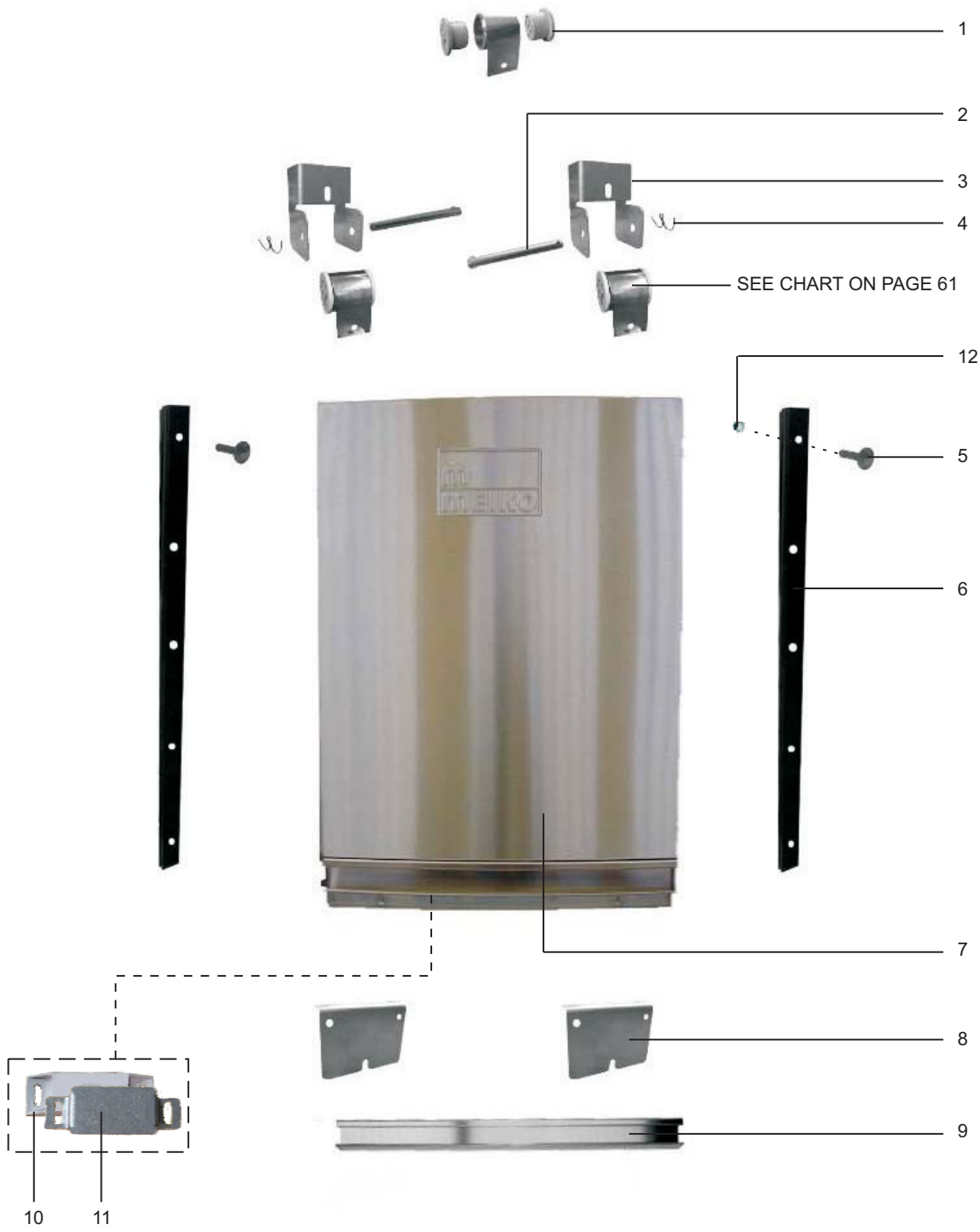




### 7.3 WASH TANK DOOR K64 51-1/32" (1296mm)

POS.	PART #	DESCRIPTION
1	<a href="#">0620284</a>	BEARING ROLLER
2	<a href="#">8100909</a>	BEARING BOLT 5/16" X 5-55/64"
3	<a href="#">8100868</a>	SCROLL SPRING SUPPORT
4	0351004	SPLIT PIN
5	9207107	CARRIAGE BOLT M5 X 22MM
6	<a href="#">9501665</a>	SLIDING RAIL - <b>STANDARD HOOD</b>
6	<a href="#">9553564</a>	SLIDING RAIL - <b>TALL HOOD</b>
7	<a href="#">9546043</a>	K64 DOOR - <b>STANDARD HOOD</b>
7	<a href="#">9553561</a>	K64 DOOR - <b>TALL HOOD</b>
8	<a href="#">8130764</a>	DOOR ANGLE
9	<a href="#">9542777</a>	HANDLE
10	<a href="#">9207771</a>	DOOR MAGNET
11	<a href="#">9662668</a>	MAGNET BRACKET
12	<a href="#">0337001</a>	LOCK NUT M5

**7.4 PREWASH TANK DOOR PW22 21-17/32" (547mm)**



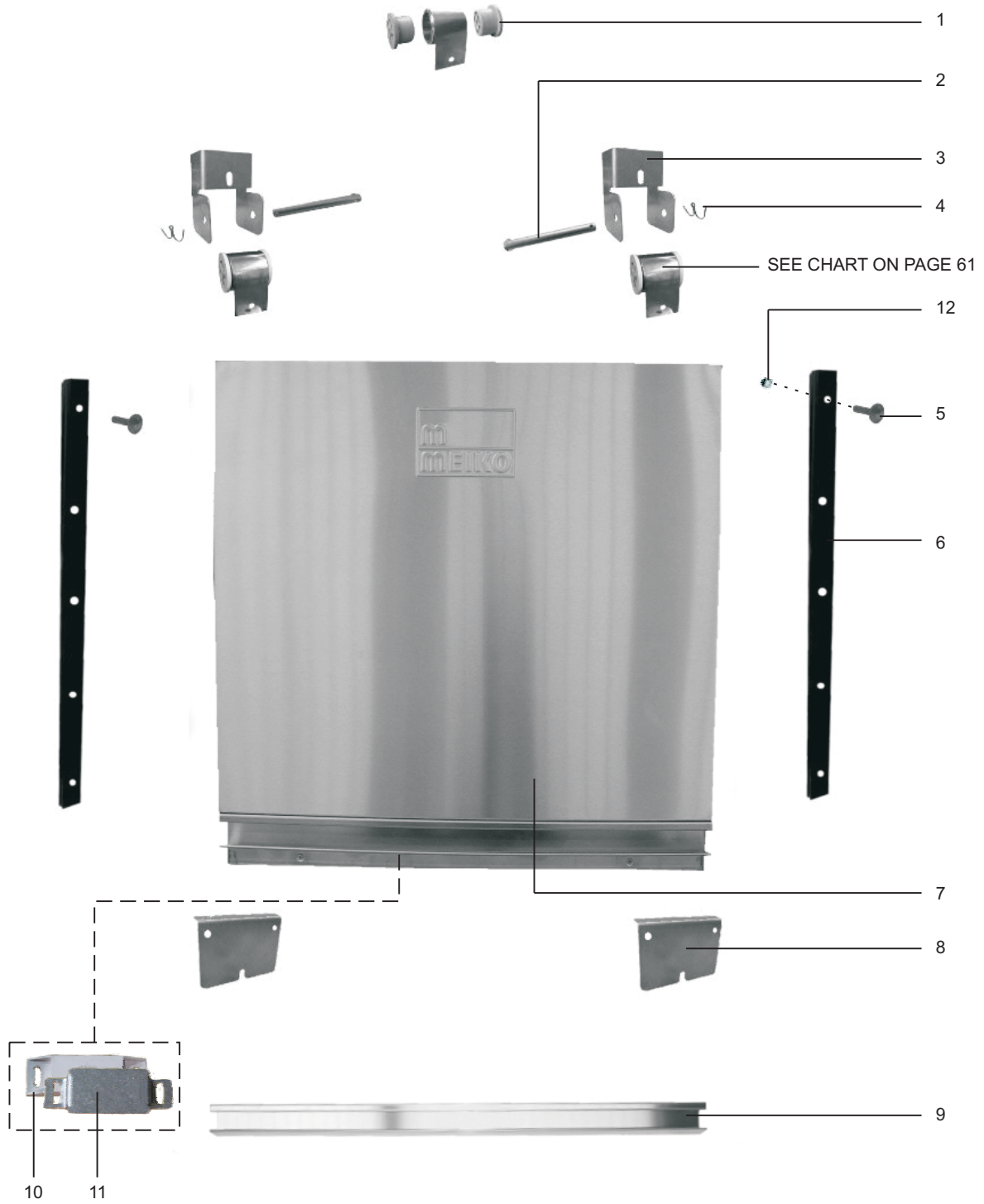


## 7.4 PREWASH TANK DOOR PW22 21-17/32" (547mm)

POS.	PART #	DESCRIPTION
1	<a href="#">0620284</a>	BEARING ROLLER
2	<a href="#">8100910</a>	BEARING BOLT 5/16" X 3-5/64"
3	<a href="#">8100868</a>	SCROLL SPRING SUPPORT
4	0351004	SPLIT PIN
5	9207107	CARRIAGE BOLT M5 X 22MM
6	<a href="#">9501665</a>	SLIDING RAIL - <b>STANDARD HOOD</b>
6	<a href="#">9553564</a>	SLIDING RAIL - <b>TALL HOOD</b>
7	<a href="#">9546055</a>	PW22 DOOR - <b>STANDARD HOOD</b>
7	<a href="#">9553563</a>	PW22 DOOR - <b>TALL HOOD</b>
8	<a href="#">8130763</a>	DOOR ANGLE
9	<a href="#">9541606</a>	HANDLE
10	<a href="#">9207771</a>	DOOR MAGNET
11	<a href="#">9662668</a>	MAGNET BRACKET
12	<a href="#">0337001</a>	LOCK NUT M5



### 7.5 PREWASH TANK DOOR PW36 35-17/32" (902mm)





## 7.5 PREWASH TANK DOOR PW36 35-17/32" (902mm)

POS.	PART #	DESCRIPTION
1	<a href="#">0620284</a>	BEARING ROLLER
2	<a href="#">8100910</a>	BEARING BOLT 5/16" X 3-5/64"
3	<a href="#">8100868</a>	SCROLL SPRING SUPPORT
4	0351004	SPLIT PIN
5	9207107	CARRIAGE BOLT M5 X 22MM
6	<a href="#">9501665</a>	SLIDING RAIL - <b>STANDARD HOOD</b>
6	<a href="#">9553564</a>	SLIDING RAIL - <b>TALL HOOD</b>
7	<a href="#">9546051</a>	PW36 DOOR - <b>STANDARD HOOD</b>
7	<a href="#">9553562</a>	PW36 DOOR - <b>TALL HOOD</b>
8	<a href="#">8130763</a>	DOOR ANGLE
9	9541502	HANDLE
10	<a href="#">9207771</a>	DOOR MAGNET
11	<a href="#">9662668</a>	MAGNET BRACKET
12	<a href="#">0337001</a>	LOCK NUT M5

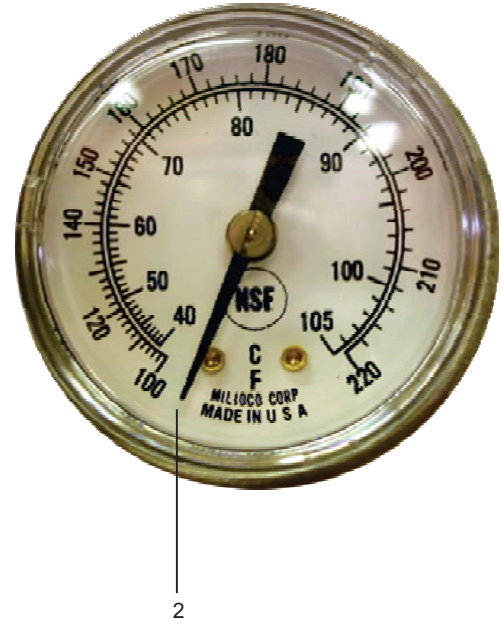


## 7.6 DOOR SPRING CHART

	WASH TANK DOOR				PREWASH TANK DOOR (IF APPLICABLE)			
	POSITION NUMBER				POSITION NUMBER			
	1	2	3	4	1	2	3	4
K-44 (2 springs)	71A	71A						
K-44 (4 springs)	31A	31A	31A	71A				
K-44T	53	53	53	53				
K-54	91A	91A						
K-54T	73	53	53	73				
K-64	71A	51A	51A	71A				
K-64T	93	53	53	93				
K-66 (2 springs)	71A	71A			71A	51A		
K-66 (4 springs)	31A	31A	31A	71A	71A	51A		
K-66T	53	53	53	53	73	73		
K-76	91A	91A			71A	51A		
K-76T	73	53	53	73	73	73		
K-80 (2 springs)	71A	71A			91A	91A		
K-80 (4 springs )	31A	31A	31A	71A	91A	91A		
K-80T	53	53	53	53	53	53	53	53
K-86	71A	51A	51A	71A	71A	51A		
K-86T	93	53	53	93	73	73		
K-90	91A	91A			91A	91A		
K-90T	73	53	53	73	53	53	53	53
K-100	71A	51A	51A	71A	91A	91A		
K-100T	93	53	53	93	53	53	53	53

31A = <a href="#">9654429</a>
51A = <a href="#">9504017</a>
71A = <a href="#">9504018</a>
91A = <a href="#">9504019</a>
53 = <a href="#">0431076</a>
73 = <a href="#">0431077</a>
93 = <a href="#">0431078</a>

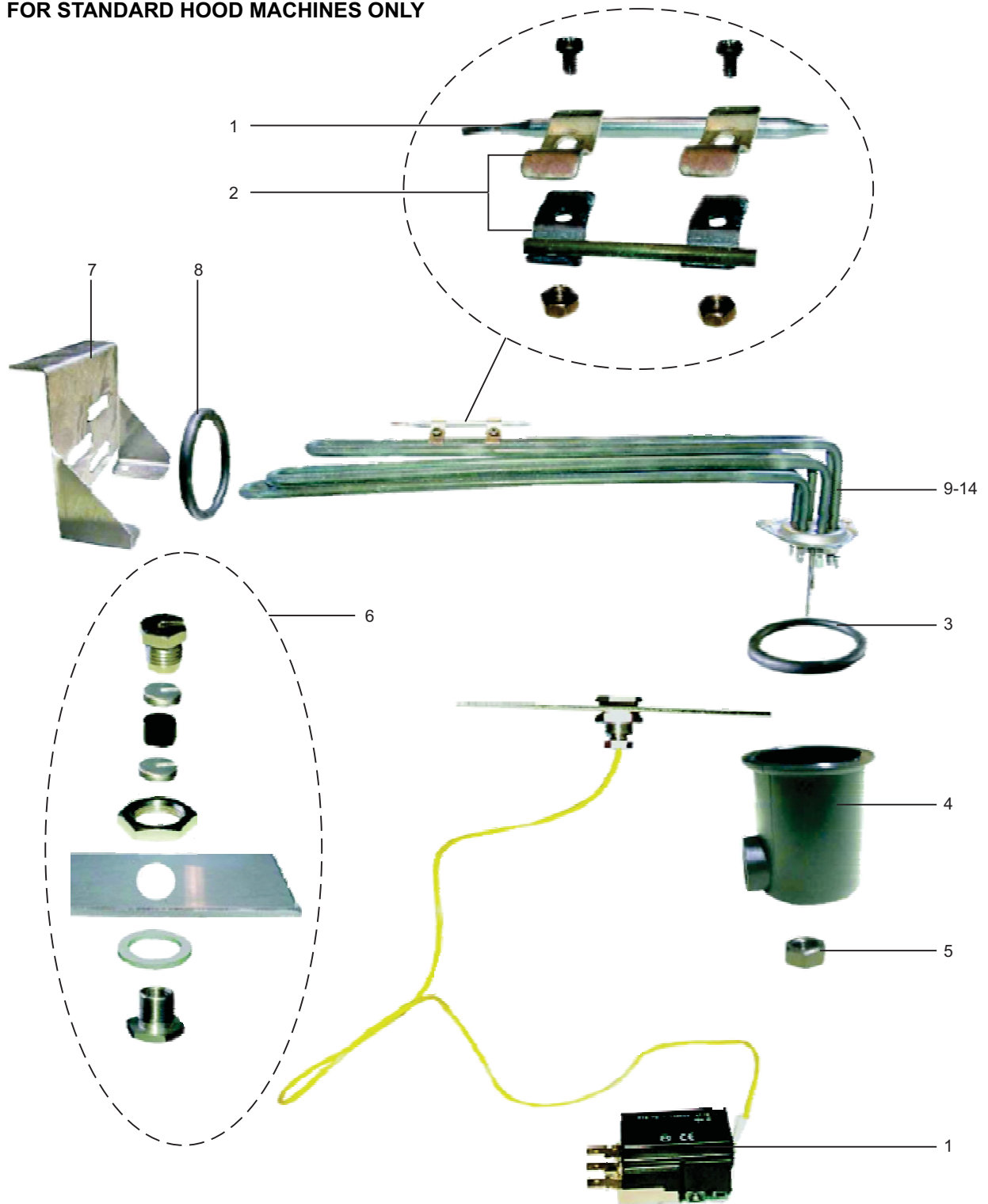
## 8.1 TEMPERATURE / PRESSURE GAUGE



POS.	PART #	DESCRIPTION
1	<a href="#">9546260</a>	THERMOMETER - WEISS
2	<a href="#">9207297</a>	THERMOMETER - MILJOCO
3	<a href="#">9207693</a>	PRESSURE GAUGE - BUILT IN BOOSTER ONLY

## 8.2 WASH TANK HEATING - ELECTRIC

FOR STANDARD HOOD MACHINES ONLY





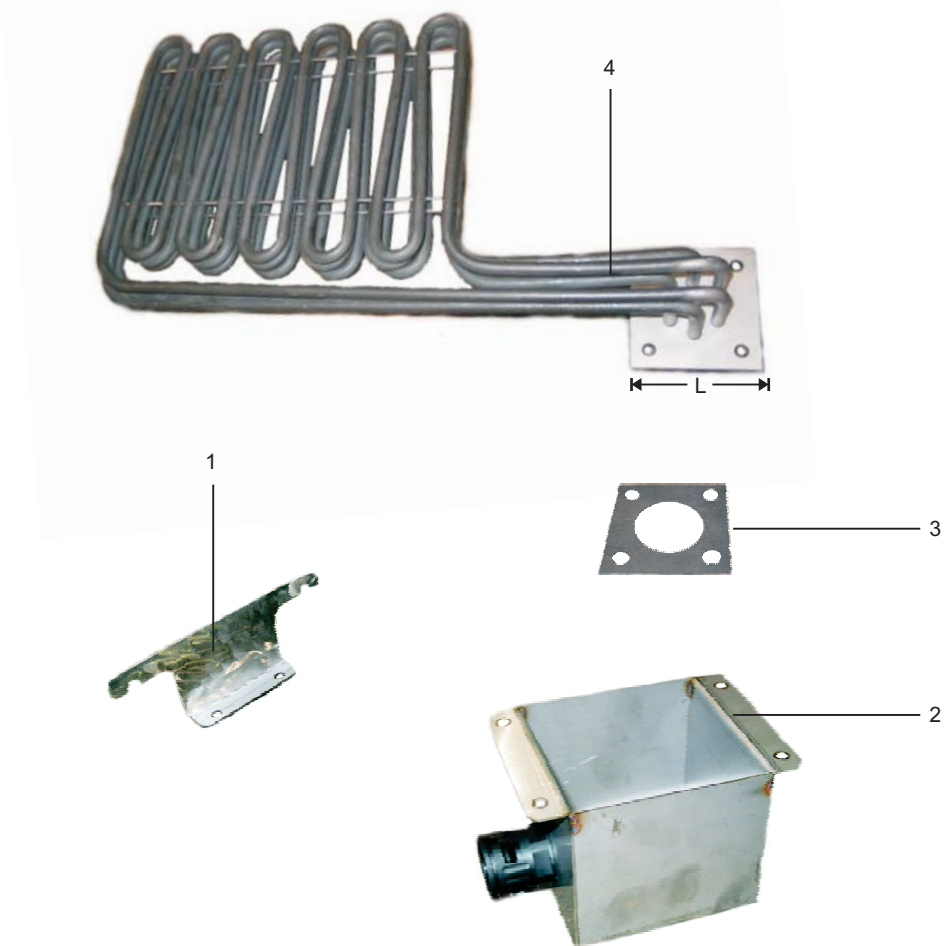
## **8.2 WASH TANK HEATING - ELECTRIC**

**FOR STANDARD HOOD MACHINES ONLY**

POS.	PART #	DESCRIPTION
1	<a href="#">9627502</a>	HIGH LIMIT THERMOSTAT 104°C
2	<a href="#">9546833</a>	HIGH LIMIT BULB CLAMP
3	<a href="#">9532356</a>	O-RING
4	<a href="#">9532401</a>	COVER FOR HEATING ELEMENT
5	<a href="#">0335008</a>	HEXAGON NUT M5
6	<a href="#">9546760</a>	DUCT OF SEALS
7	<a href="#">8101245</a>	FIXING FOR HEATING ELEMENT
8	<a href="#">0401048</a>	O-RING
9	<a href="#">9515561</a>	TANK HEATING ELEMENT 208V 9KW
10	<a href="#">9531745</a>	TANK HEATING ELEMENT 208V 6KW
11	<a href="#">9531748</a>	TANK HEATING ELEMENT 240V 9.5KW
12	<a href="#">9531741</a>	TANK HEATING ELEMENT 240V 6.3KW
13	<a href="#">9528383</a>	TANK HEATING ELEMENT 460V 9.8KW
14	<a href="#">9528384</a>	TANK HEATING ELEMENT 460V 6.5KW

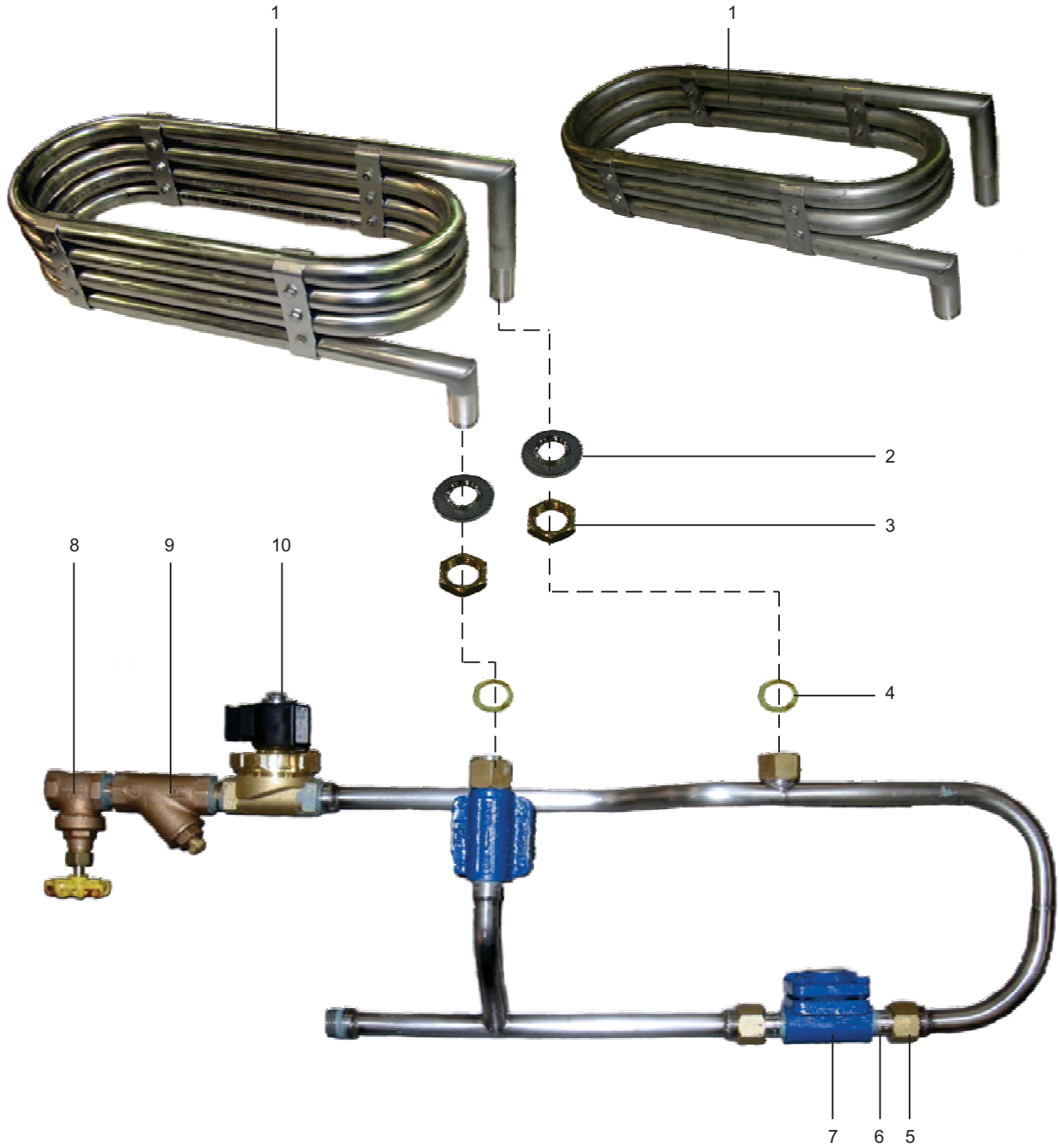
### 8.3 WASH TANK HEATING - ELECTRIC

FOR TALL HOOD MACHINES ONLY



POS.	PART #	DESCRIPTION
1	<a href="#">9207352</a>	HEATER SUPPORT BRACKET
2	<a href="#">9207351</a>	HEATER COVER
3	<a href="#">9207703</a>	ELEMENT GASKET
<b>FOR SERIAL NUMBER &gt; 30001128 WITH 3.5" FLANGE</b>		
4	<a href="#">9207322</a>	TANK HEATER 18 KW 200V
5	<a href="#">9207355</a>	TANK HEATER 18 KW 230V
6	<a href="#">9207323</a>	TANK HEATER 18 KW 460V
<b>FOR SERIAL NUMBER &gt; 30001128 WITH 4.5" FLANGE</b>		
4	<a href="#">9207763</a>	TANK HEATER 18 KW 200V
5	<a href="#">9208274</a>	TANK HEATER 18 KW 230V
6	<a href="#">9207764</a>	TANK HEATER 18 KW 460V
7	<a href="#">9207759</a>	TANK HEATER 15 KW 200V FOR K-64 MACHINES ONLY
8	<a href="#">9207762</a>	TANK HEATER 15 KW 460V FOR K-64 MACHINES ONLY
9	<a href="#">9207761</a>	TANK HEATER 9 KW 200V FOR K-64 MACHINES ONLY
10	<a href="#">9207760</a>	TANK HEATER 9 KW 460V FOR K-64 MACHINES ONLY

**8.4 WASH TANK HEATING - STEAM**



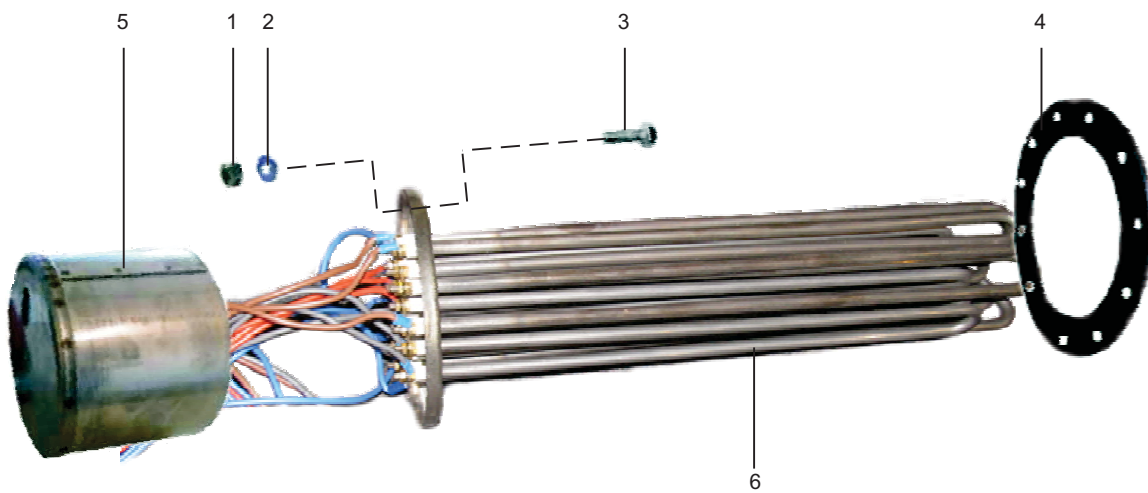


## **8.4 WASH TANK HEATING - STEAM**

POS.	PART #	DESCRIPTION
1	<a href="#">8132670</a>	STEAM COIL - 4 TURNS - K44/K54
1	<a href="#">8132647</a>	STEAM COIL - 3 TURNS - K64
2	<a href="#">8104009</a>	THIN NUT
3	<a href="#">8660097</a>	HEXAGON NUT
4	<a href="#">0408106</a>	GASKET
5	<a href="#">0212020</a>	UNION NUT BRASS
6	<a href="#">9516131</a>	INSERT PIECE
7	<a href="#">0232043</a>	STEAM TRAP 1/2"
8	<a href="#">0240026</a>	GATE VALVE 3/4"
9	<a href="#">9250055</a>	Y-STRAINER 3/4"
10	<a href="#">9207050</a>	STEAM SOLENOID VALVE 3/4"

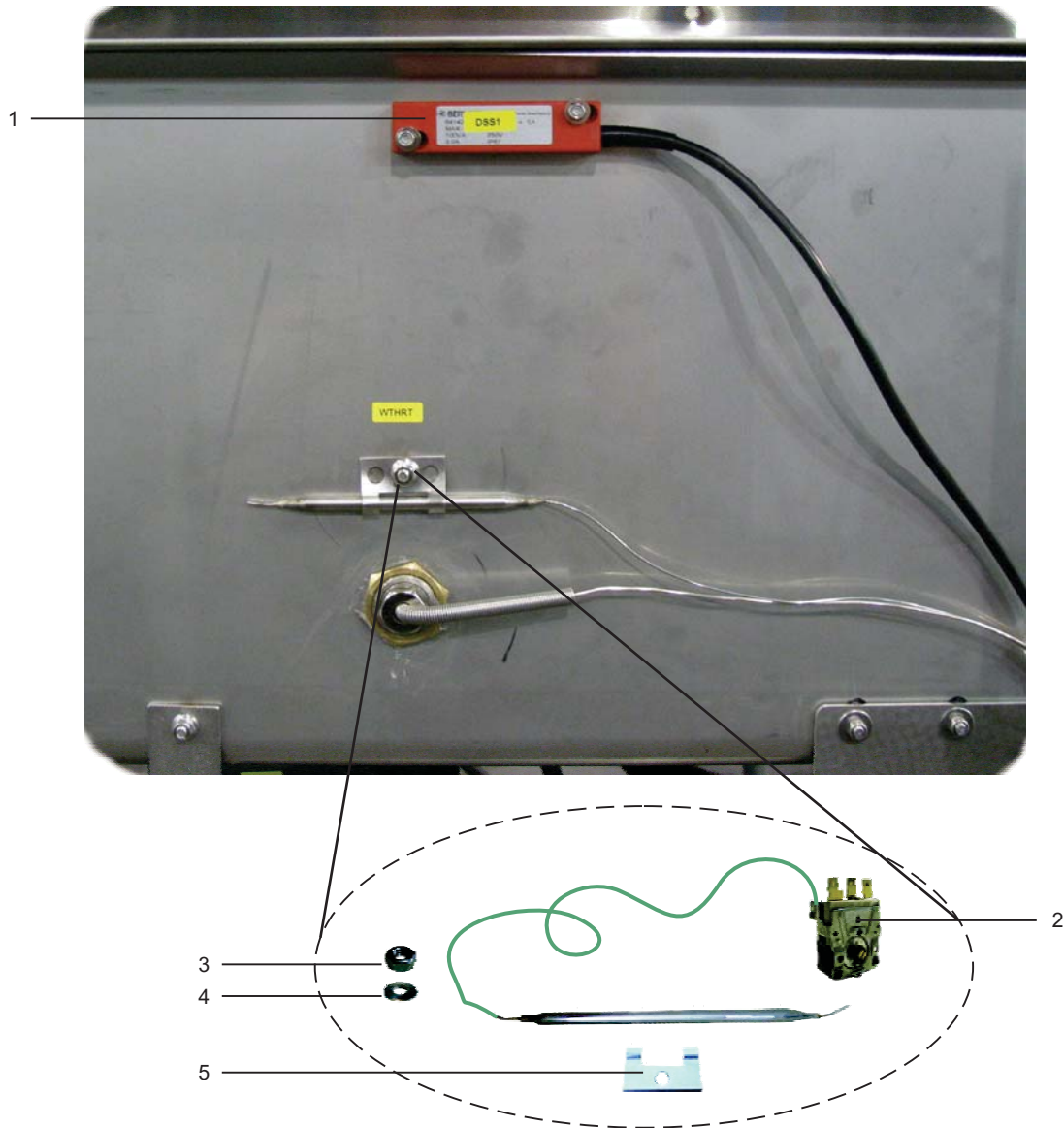
## 8.5 FINAL RINSE HEATING - ELECTRIC

FOR BUILT IN BOOSTER MACHINES ONLY



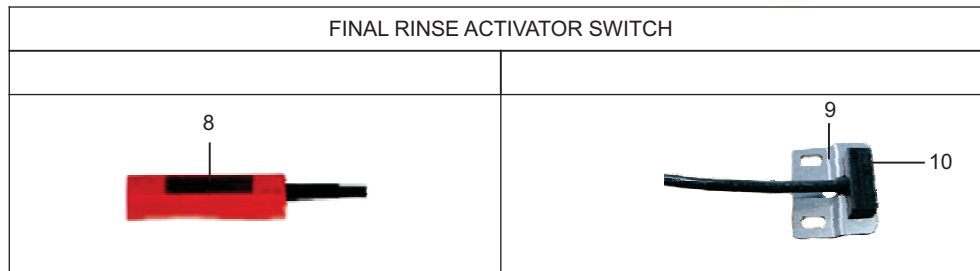
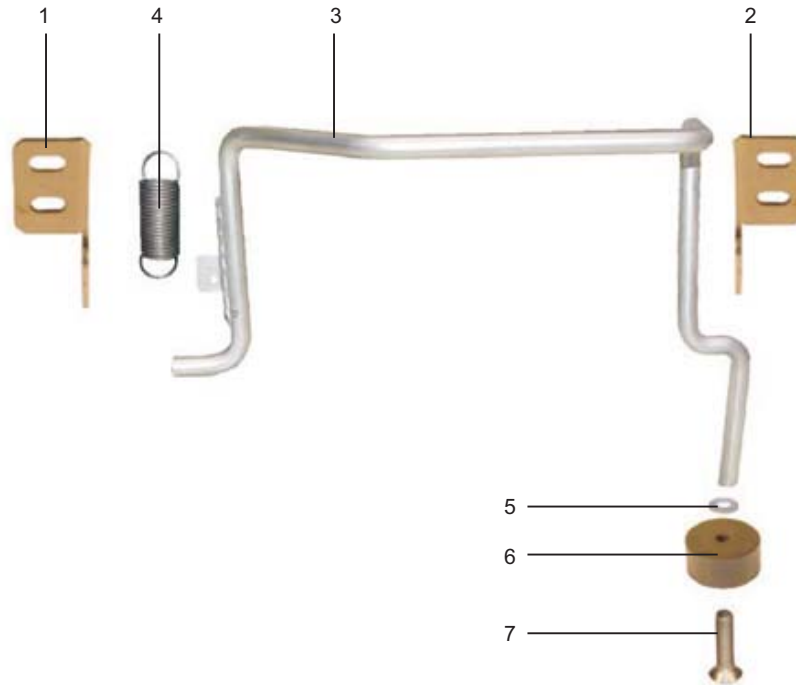
POS.	PART #	DESCRIPTION
1	<a href="#">0337003</a>	LOCK NUT M6
2	<a href="#">0340010</a>	WASHER
3	<a href="#">0302001</a>	HEX SCREW M6 X 15MM
4	<a href="#">0408229</a>	GASKET
5	<a href="#">9639479</a>	COVER
6	<a href="#">9629878</a>	BOOSTER HEATER ELEMENT 208V 36KW
	<a href="#">9629879</a>	BOOSTER HEATER ELEMENT 230V 36KW
	<a href="#">9629880</a>	BOOSTER HEATER ELEMENT 460V 36KW

## 8.6 WASH TANK THERMOSTAT / DOOR SWITCH



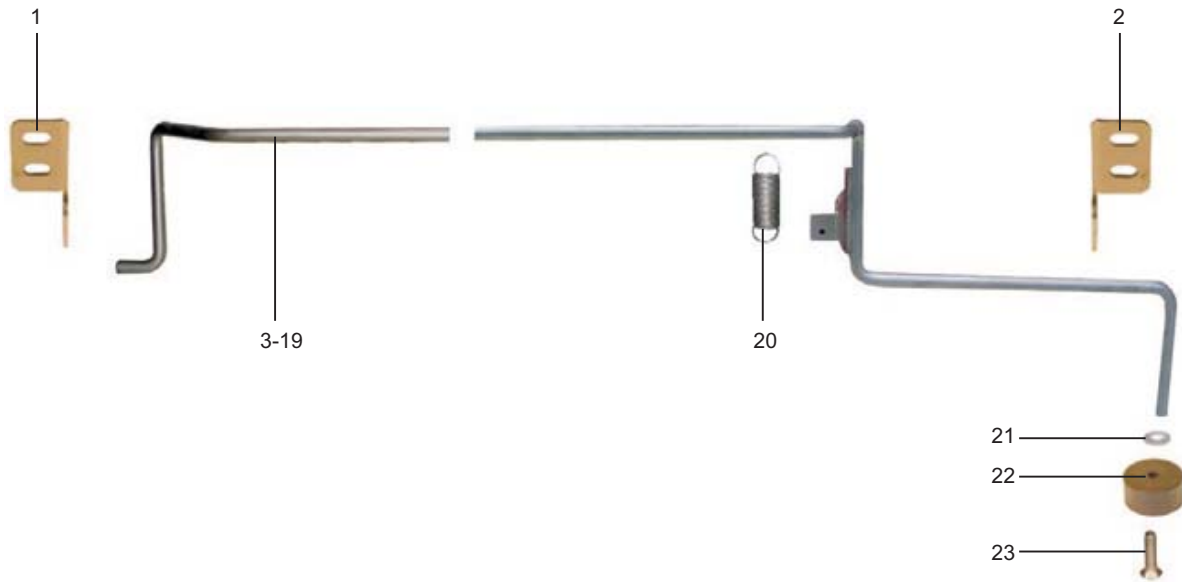
POS.	PART #	DESCRIPTION
1	<a href="#">0122056</a>	LIMIT SWITCH
2	<a href="#">9545900</a>	TANK HEATING THERMOSTAT 78°C
3	<a href="#">0337001</a>	HEXAGON NUT M5
4	<a href="#">0340001</a>	WASHER M5
5	<a href="#">8000963</a>	TEMPERATURE SENSOR FIXING BRACKET


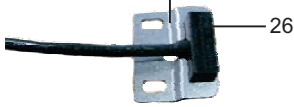
## 9.1 FINAL RINSE ACTIVATION LEVER - ALL MACHINES



POS.	PART #	DESCRIPTION
1	9541766-03	BEARING ANGLE
2	9541766-04	BEARING ANGLE
3	9547635-01	SLIDER SWITCH L-R
3	9547635-02	SLIDER SWITCH R-L (NOT DISPLAYED)
4	<a href="#">0430002</a>	SPRING
5	<a href="#">0340205</a>	WASHER
6	<a href="#">9620695</a>	MAGNET
7	<a href="#">9611352</a>	FLAT HEAD SCREW M5 X 25
8	<a href="#">0122056</a>	LIMIT SWITCH
9	<a href="#">9207944</a>	SWITCH BRACKET
10	<a href="#">9253216</a>	LIMIT SWITCH

## 9.2 WASH PUMP ACTIVATION LEVER - ALL TANKS



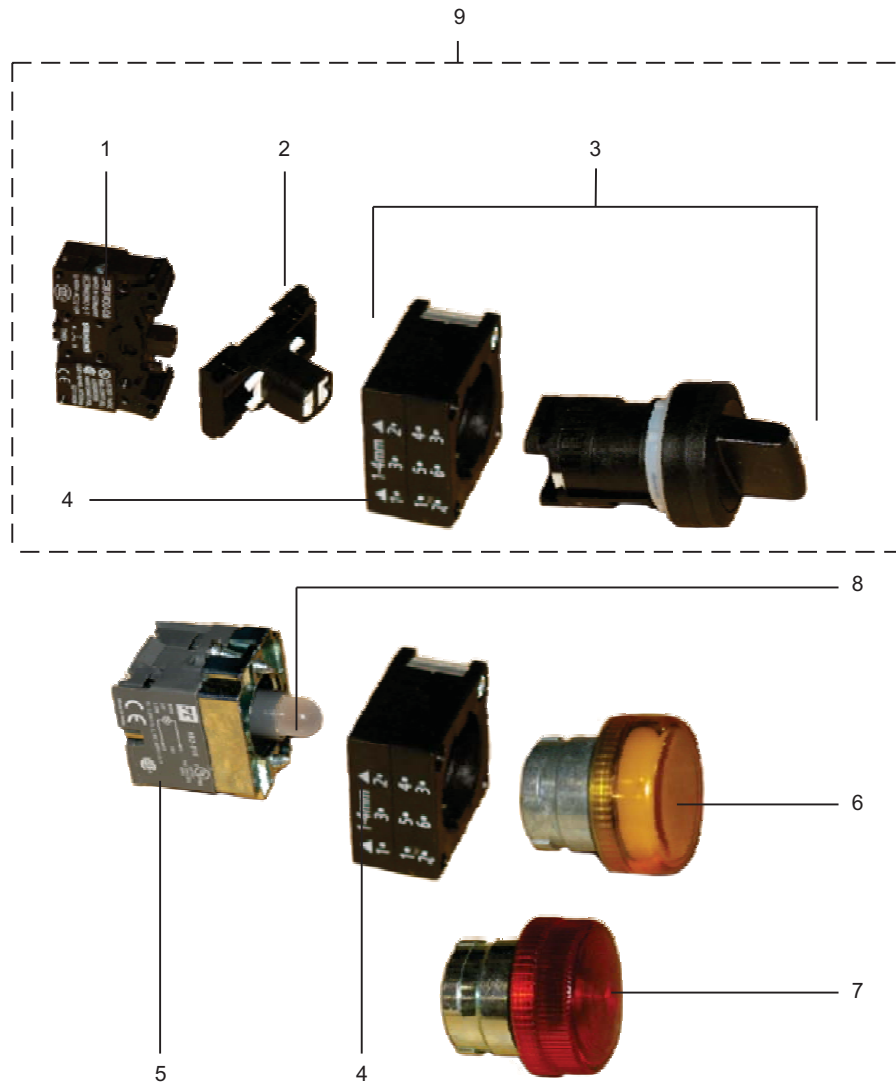
FINAL RINSE ACTIVATOR SWITCH	
 <p>24</p>	 <p>25 26</p>



## 9.2 WASH PUMP ACTIVATION LEVER - ALL TANKS

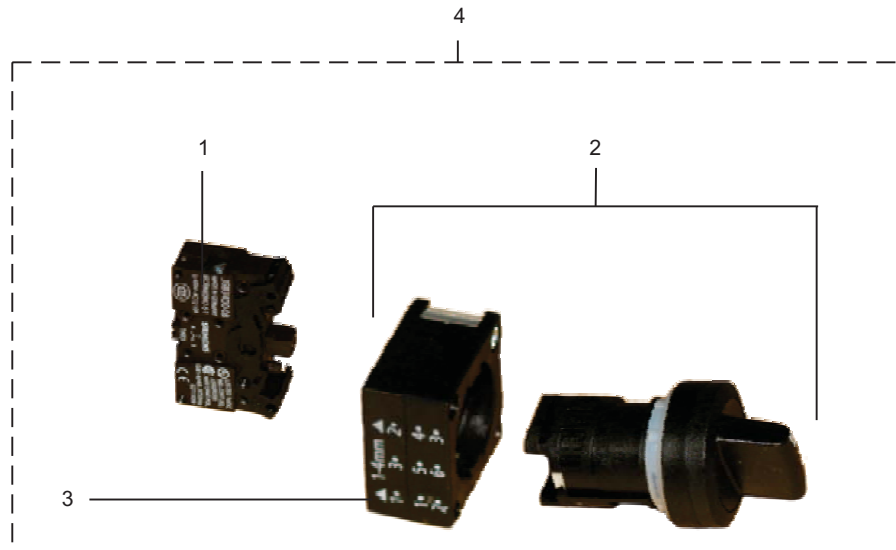
POS.	PART #	DESCRIPTION
1	9541766-03	BEARING ANGLE
2	9541766-04	BEARING ANGLE
3	9547632-01	K-44 SLIDER SWITCH L-R
4	9547632-02	K-44 SLIDER SWITCH R-L
5	9547628-01	K-54 SLIDER SWITCH L-R
6	9547628-02	K-54 SLIDER SWITCH R-L
7	9547650-01	K-64 SLIDER SWITCH L-R
8	9547650-02	K-64 SLIDER SWITCH R-L
9	9692604-01	K-66 SLIDER SWITCH L-R
10	9692604-02	K-66 SLIDER SWITCH R-L
11	9692655-01	K-76 SLIDER SWITCH L-R
12	9692655-02	K-76 SLIDER SWITCH R-L
13	9692676-01	K-80 SLIDER SWITCH L-R
14	9692676-02	K-80 SLIDER SWITCH R-L
15	9692665-01	K-86 SLIDER SWITCH L-R
16	9692665-02	K-86 SLIDER SWITCH R-L
17	9692687-01	K-90 SLIDER SWITCH L-R
18	9692687-02	K-90 SLIDER SWITCH R-L
18	9692698-01	K-100 SLIDER SWITCH L-R
19	9692698-02	K-100 SLIDER SWITCH R-L
20	<a href="#">0430002</a>	SPRING
21	<a href="#">0340205</a>	WASHER
22	<a href="#">9620695</a>	MAGNET
23	<a href="#">9611352</a>	FLAT HEAD SCREW M5 X 25
24	<a href="#">0122056</a>	LIMIT SWITCH
25	<a href="#">9207944</a>	SWITCH BRACKET
26	<a href="#">9253216</a>	LIMIT SWITCH

## 10.1 POWER ON SWITCH / LIGHT



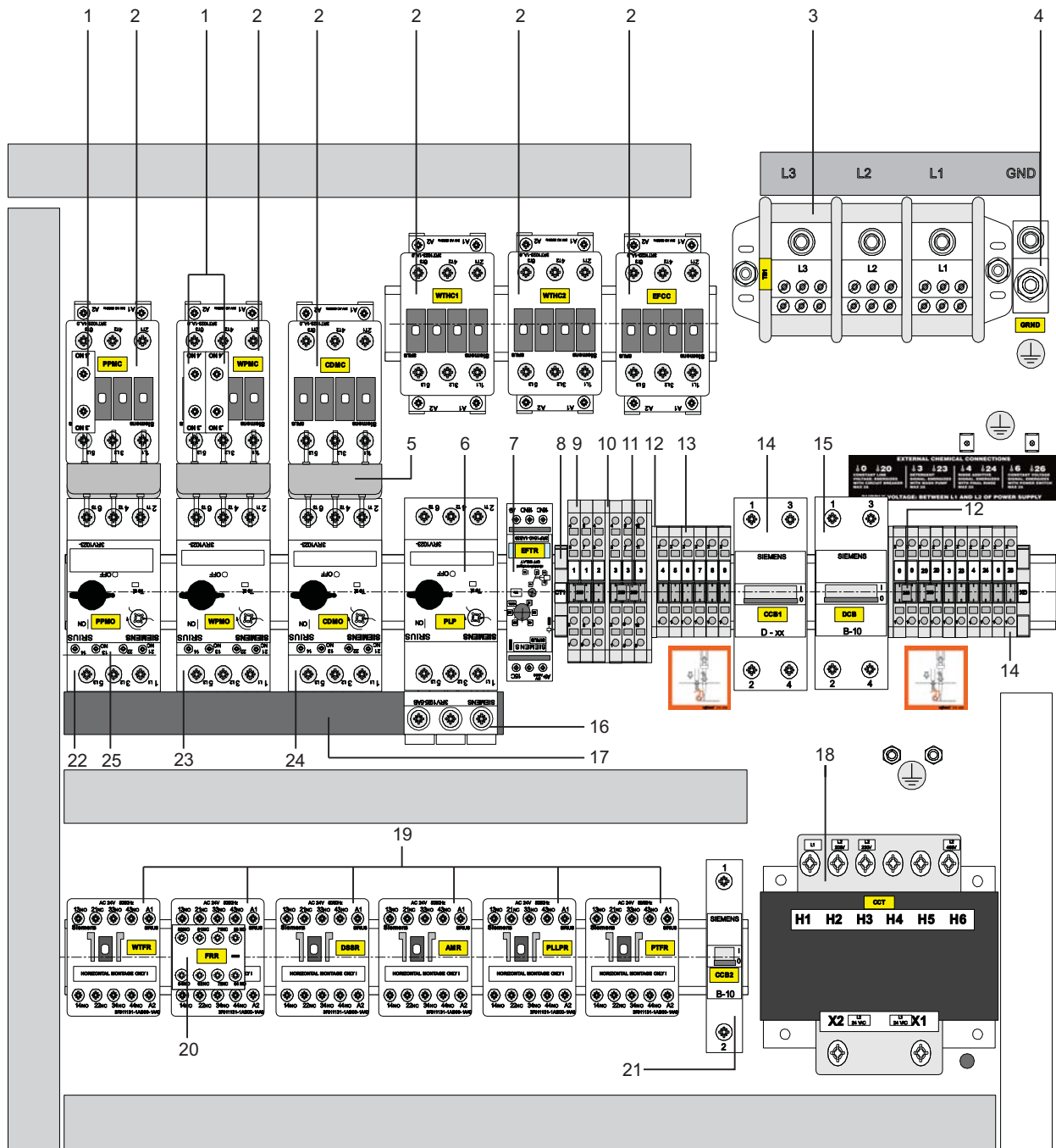
POS.	PART #	DESCRIPTION
1	<a href="#">9604388</a>	SWITCH ELEMENT
2	<a href="#">9648823</a>	HOLDING PLATE
3	<a href="#">9604394</a>	SWITCH
4	<a href="#">9555561</a>	MOUNTING SOCKET
5	<a href="#">9250132</a>	LIGHT BODY
6	<a href="#">9250134</a>	LENS - AMBER
7	<a href="#">9250133</a>	LENS - RED
8	<a href="#">0150213</a>	LIGHT BULB
9	<a href="#">9208602</a>	POWER ON SWITCH KIT

## 10.2 AUTO / MANUAL SWITCH



POS.	PART #	DESCRIPTION
1	<a href="#">9604388</a>	SWITCH ELEMENT
2	<a href="#">9604394</a>	SWITCH
3	<a href="#">9555561</a>	MOUNTING SOCKET
4	<a href="#">9208603</a>	SWITCH KIT

# 10.3 ELECTRICAL CONTROL PANEL - MACHINE

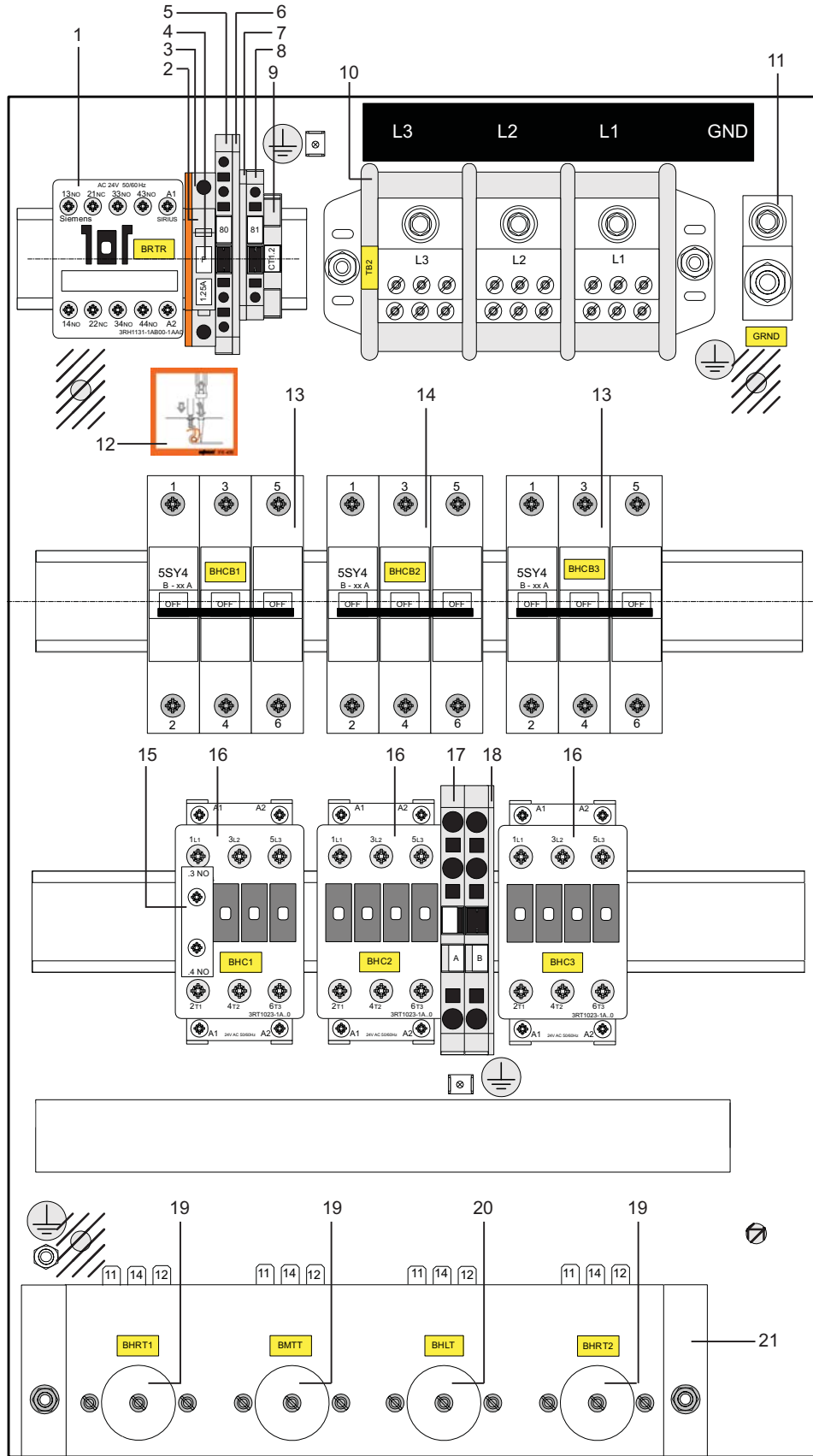




## 10.3 ELECTRICAL CONTROL PANEL - MACHINE

POS.	PART #	DESCRIPTION
1	9521107	AUXILIARY CONTACT
2	9545904	CONTACTOR
3	9545908	TERMINAL BLOCK - INCOMING POWER
4	9545910	GROUND LUG
5	9540606	POWER DISTRIBUTOR
6	9515664	CONVEYOR DRIVE MOTOR OVERLOAD <b>FOR 208V / 230V</b>
6	9519754	CONVEYOR DRIVE MOTOR OVERLOAD <b>FOR 460V</b>
7	9200150	TIMER RELAY
8	0153098	FINAL ANGLE
9	0153042	TERMINAL BLOCK
10	0153071	END PIECE
11	0153090	BRIDGE CONNECTOR / JUMPER
12	0153070	END PIECE
13	0153040	TERMINAL BLOCK
14	9549547	CIRCUIT BREAKER 4A <b>FOR 208V / 230V</b>
14	9549546	CIRCUIT BREAKER 2A <b>FOR 460V</b>
15	9542512	CIRCUIT BREAKER 10A
16	9540604	POWER CONNECTION BLOCK
17	9530028	POWER DISTRIBUTION BAR 2-POSITION K44 / K54
17	9530027	POWER DISTRIBUTION BAR 3-POSITION K64 / K66 / K76 / K80 / K90
17	9530026	POWER DISTRIBUTION BAR 4-POSITION K86 / K100
18	9545911	TRANSFORMER
19	9545907	RELAY
20	9516641	AUXILIARY CONTACT BLOCK
21	9540605	CIRCUIT BREAKER 10A
22	9515662	MOTOR OVERLOAD PROTECTOR - <b>FOR 208V/230V 22" PREWASH ONLY</b>
	9208312	MOTOR OVERLOAD PROTECTOR - <b>FOR 460V 22" PREWASH ONLY</b>
	9540601	MOTOR OVERLOAD PROTECTOR - <b>FOR 208V/230V 36" PREWASH ONLY</b>
	9515663	MOTOR OVERLOAD PROTECTOR - <b>FOR 460V 36" PREWASH ONLY</b>
23	9540601	MOTOR OVERLOAD PROTECTOR - <b>FOR 208V/230V WASH/POWER RINSE PUMP ONLY</b>
	9515663	MOTOR OVERLOAD PROTECTOR - <b>FOR 460V WASH/POWER RINSE PUMP ONLY</b>
24	9307521	MOTOR OVERLOAD PROTECTOR - <b>FOR 208V/230V CONVEYOR MOTOR ONLY</b>
	9519754	MOTOR OVERLOAD PROTECTOR - <b>FOR 460V CONVEYOR MOTOR ONLY</b>
25	9515670	AUXILIARY CONTACT FOR OVERLOAD PROTECTOR

# 10.4 ELECTRICAL CONTROL PANEL - BUILT IN BOOSTER OLD

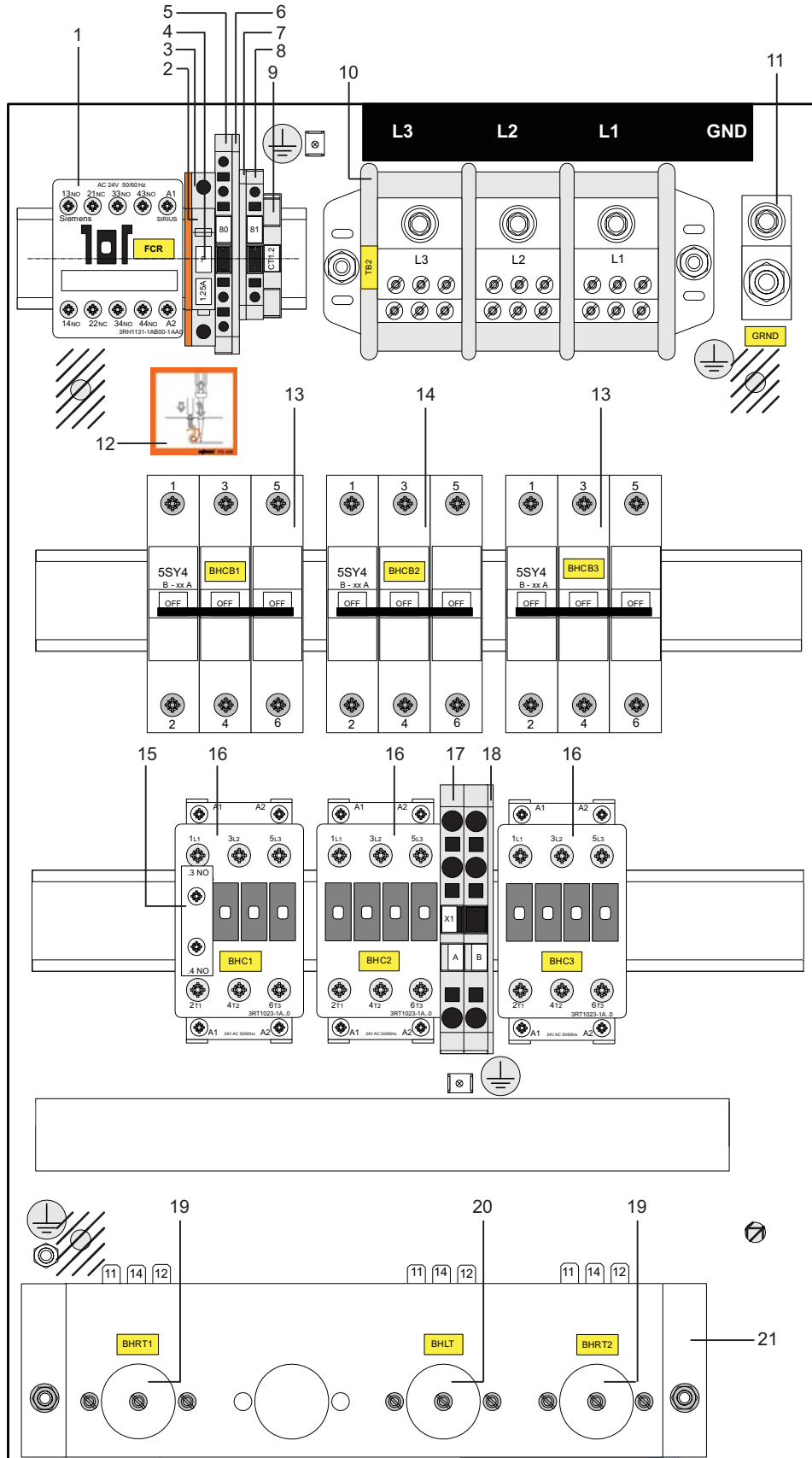




## 10.4 ELECTRICAL CONTROL PANEL - BUILT IN BOOSTER OLD

POS.	PART #	DESCRIPTION
1	9545907	RELAY
2	0153054	FUSE HOLDER
3	0153076	TERMINAL BLOCK
4	0145048	FUSE 1.25A
5	0153042	TERMINAL BLOCK 4-POSITION
6	0153071	TERMINAL BLOCK END CAP
7	0153070	TERMINAL BLOCK END CAP
8	0153040	TERMINAL BLOCK 2-POSITION
9	0153098	FINAL ANGLE
10	9545908	TERMINAL BLOCK - INCOMING POWER
11	9545910	GROUND LUG
12	9612342	INSTRUCTION STICKER
13	9620230	CIRCUIT BREAKER 40A - <b><u>FOR 208/230V ONLY</u></b>
13	9612774	CIRCUIT BREAKER 20A - <b><u>FOR 460V ONLY</u></b>
14	9612775	CIRCUIT BREAKER 25A - <b><u>FOR 208/230V ONLY</u></b>
14	9612774	CIRCUIT BREAKER 20A - <b><u>FOR 460V ONLY</u></b>
15	9521107	AUXILIARY CONTACT
16	9545904	CONTACTOR
17	0153129	TERMINAL BLOCK - 4 POSITION
18	0153128	TERMINAL BLOCK END CAP
19	0108041	THERMOSTAT
20	9627502	HI LIMIT THERMOSTAT
21	9636979	FIXING PANEL

# 10.5 ELECTRICAL CONTROL PANEL - BUILT IN BOOSTER NEW

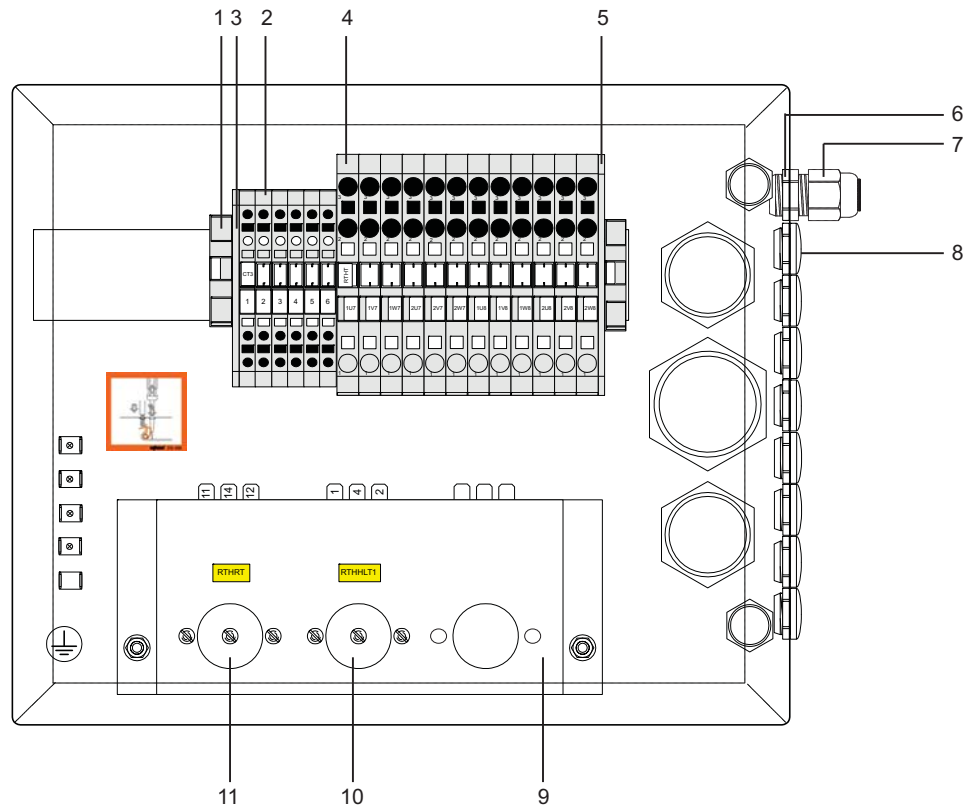
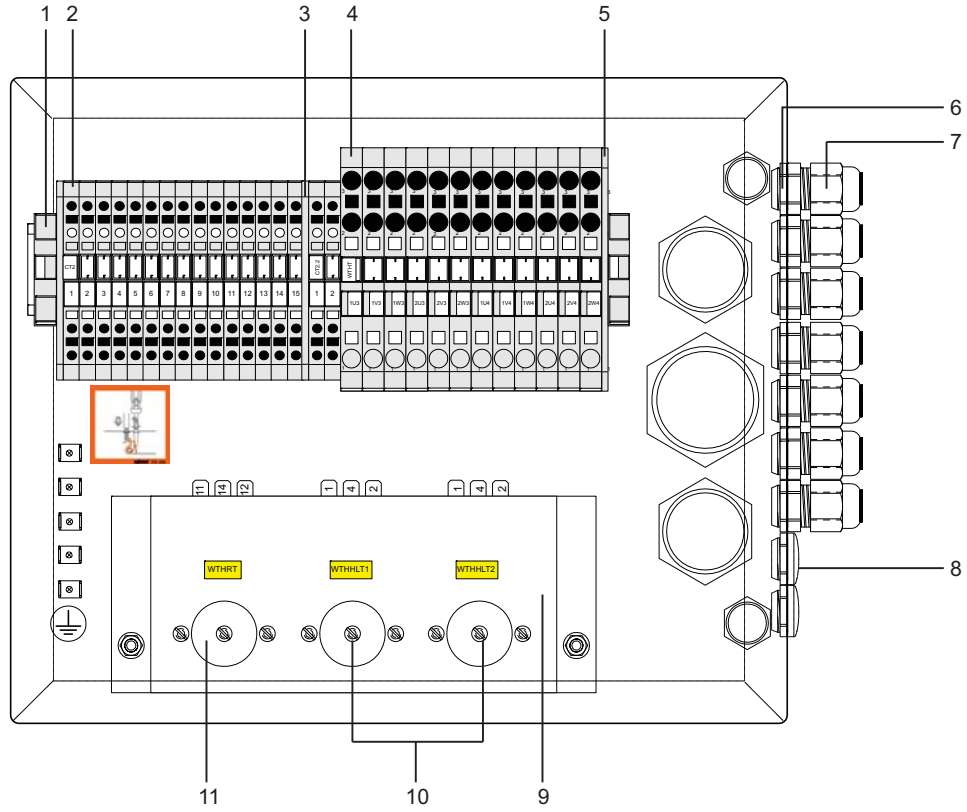




## 10.5 ELECTRICAL CONTROL PANEL - BUILT IN BOOSTER NEW

POS.	PART #	DESCRIPTION
1	9545907	RELAY
2	0153054	FUSE HOLDER
3	0153076	TERMINAL BLOCK
4	0145048	FUSE 1.25A
5	0153042	TERMINAL BLOCK 4-POSITION
6	0153071	TERMINAL BLOCK END CAP
7	0153070	TERMINAL BLOCK END CAP
8	0153040	TERMINAL BLOCK 2-POSITION
9	0153098	FINAL ANGLE
10	9545908	TERMINAL BLOCK - INCOMING POWER
11	9545910	GROUND LUG
12	9612342	INSTRUCTION STICKER
13	9620230	CIRCUIT BREAKER 40A - <b><u>FOR 208/230V ONLY</u></b>
13	9612774	CIRCUIT BREAKER 20A - <b><u>FOR 460V ONLY</u></b>
14	9612775	CIRCUIT BREAKER 25A - <b><u>FOR 208/230V ONLY</u></b>
14	9612774	CIRCUIT BREAKER 20A - <b><u>FOR 460V ONLY</u></b>
15	9521107	AUXILIARY CONTACT
16	9545904	CONTACTOR
17	0153129	TERMINAL BLOCK - 4 POSITION
18	0153128	TERMINAL BLOCK END CAP
19	0108041	THERMOSTAT
20	9627502	HI LIMIT THERMOSTAT
21	9636979	FIXING PANEL

# 10.6 ELECTRICAL PANEL - WASH/POWER RINSE BOX

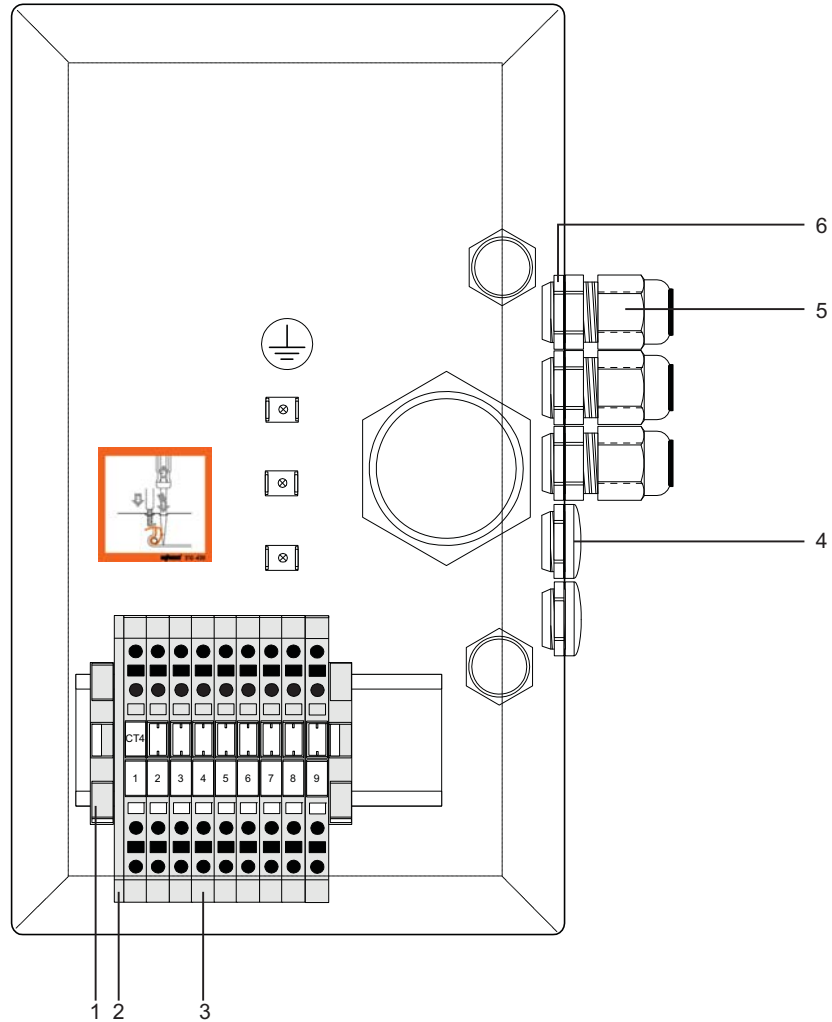




## **10.6 ELECTRICAL PANEL - WASH/POWER RINSE BOX**

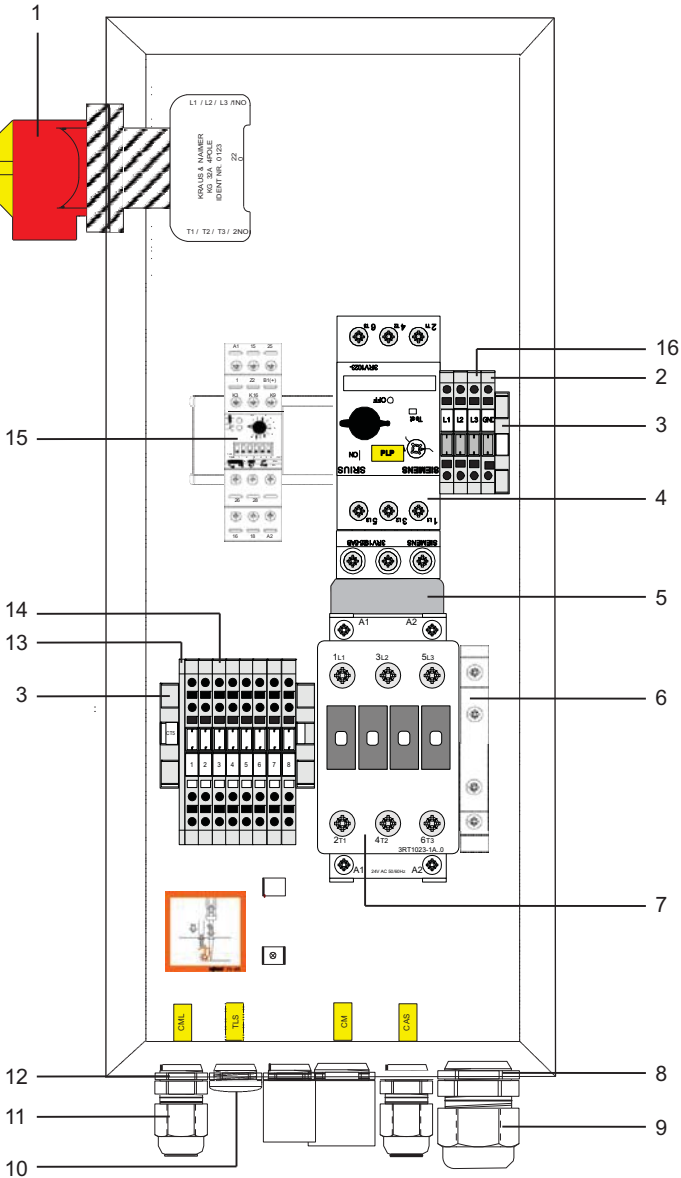
<b>POS.</b>	<b>PART #</b>	<b>DESCRIPTION</b>
1	0153098	FINAL ANGLE
2	0153043	TERMINAL BLOCK 3-POSITION
3	0153073	END CAP
4	0153129	TERMINAL BLOCK 3-POSITION 10 AWG
5	0153128	END CAP
6	9530068	NUT
7	9524391	STRAIN RELIEF
8	9535187	BLIND PLUG
9	8101656	SUPPORT BRACKET
10	9627502	THERMOSTAT, HIGH LIMIT
11	9545900	THERMOSTAT, WASH TANK REGULATING

## 10.7 ELECTRICAL PANEL - PREWASH



POS.	PART #	DESCRIPTION
1	0153098	FINAL ANGLE
2	0153073	END CAP
3	0153043	TERMINAL BLOCK 4-POSITION
4	9535187	BLIND PLUG
5	9524391	STRAIN RELIEF
6	9530068	NUT

# 10.8 ELECTRICAL PANEL - POWER LOADER/UNLOADER

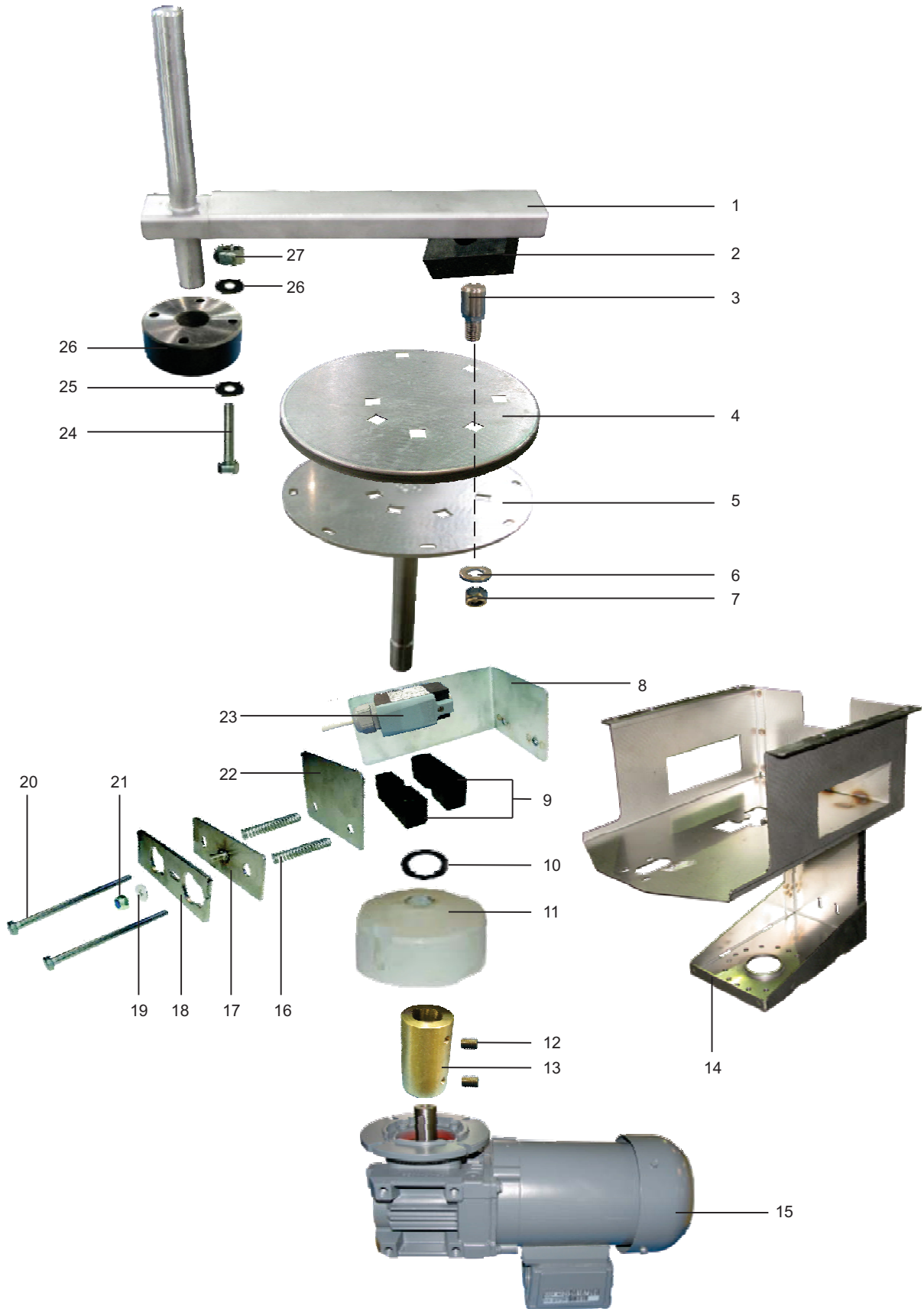




## **10.8 ELECTRICAL PANEL - POWER LOADER/UNLOADER**

POS.	PART #	DESCRIPTION
1	0123220	MAIN SWITCH
2	0153050	TERMINAL BLOCK - GROUND
3	0153098	FINAL ANGLE
4	9307521	MOTOR OVERLOAD <b><u>FOR 208V/230V UNITS ONLY</u></b>
4	9519754	MOTOR OVERLOAD <b><u>FOR 460V UNITS ONLY</u></b>
5	9540606	CONNECTION MODULE
6	9550241	AUXILIARY SWITCH
7	9545904	CONTACTOR
8	9535168	NUT
9	9524393	BUSHING
10	9535187	BLIND PLUG
11	9524391	STRAIN RELIEF
12	9530068	NUT
13	0153073	END CAP
14	0153043	TERMINAL BLOCK
15	9657573	MULTI-FUNCTION TIMER RELAY
16	0153061	TERMINAL BLOCK

# 11.1 POWER LOADER/UNLOADER

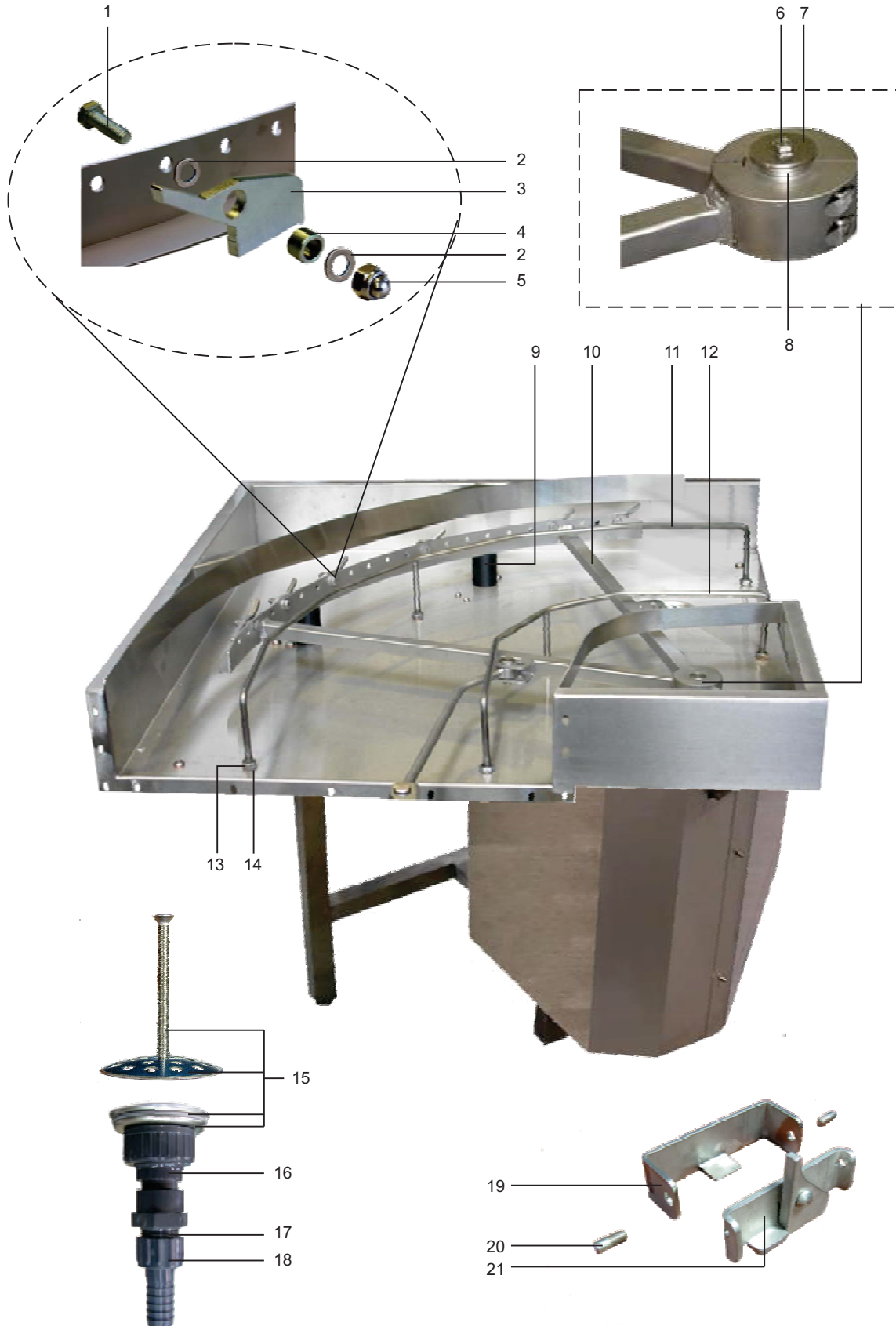




## **11.1 POWER LOADER/UNLOADER**

<b>POS.</b>	<b>PART #</b>	<b>DESCRIPTION</b>
1	<a href="#">9653942</a>	SWING ARM
2	<a href="#">9501109</a>	SLIDING BLOCK
3	9501113	GUIDING PIN
4	<a href="#">9547735</a>	COVER
5	<a href="#">9526206</a>	CRANK GEAR
6	9207186	WASHER
7	<a href="#">0337014</a>	HEX NUT
8	<a href="#">9501087</a>	CLAMPING PLATE
9	<a href="#">9501095</a>	BOWL BEARING
10	<a href="#">9501247</a>	O-RING
11	<a href="#">9500497</a>	COVER
12	<a href="#">0322008</a>	SET SCREW
13	<a href="#">9501086</a>	BRASS MOTOR SLEEVE
14	<a href="#">9525721</a>	CONSOLE BRACKET
15	<a href="#">9545903</a>	MOTOR 208V/230V/460V
16	<a href="#">9501812</a>	PRESSURE SPRING
17	<a href="#">9547072</a>	FIXING PANEL
18	<a href="#">9547066</a>	SAFETY BRACKET
19	<a href="#">0340020</a>	WASHER
20	<a href="#">9547144</a>	BOLT
21	<a href="#">0337001</a>	LOCK NUT
22	<a href="#">9501075</a>	PANEL FOR SWITCH
23	<a href="#">9500490</a>	LIMIT SWITCH
24	<a href="#">0302004</a>	BOLT M6
25	<a href="#">0340010</a>	WASHER
26	<a href="#">9526100</a>	SHAFT GUIDE
27	<a href="#">0337003</a>	LOCK NUT

# 11.1 POWER LOADER/UNLOADER

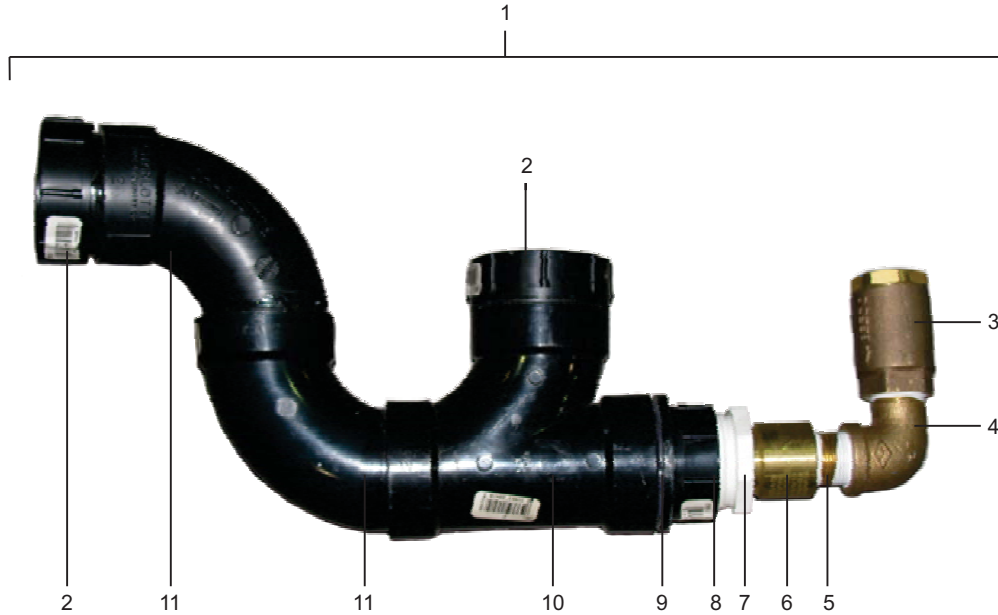




## 11.1 POWER LOADER/UNLOADER

POS.	PART #	DESCRIPTION
1	0302008	HEX SCREW M8 X 25
2	0340002	WASHER
3	9637352	CATCH
4	9546210	DISTANCE TUBE
5	0336052	CAP NUT M8
6	0302001	HEX SCREW M6 X 15
7	8100251	WASHER
8	9529613	SPACER
9	8135075	SUPPORT
10	9634323	DRIVE WHEEL
11	9644641	SLIDE BRACKET
12	9644658	SLIDE BRACKET
13	0335019	HEX NUT M10
14	0409004	COPPER PACKING
15	0237012	DRAIN ASSEMBLY
16	9629524	DRAIN CONNECTION
17	0408226	GASKET
18	0621028	HOSE CONNECTION
19	9207457	PAWL DOG BRACKET
20	0321015	SCREW M6 X 20
21	9527672-03	STAINLESS STEEL DOG EAR L-R
	9527672-04	STAINLESS STEEL DOG EAR R-L

## 11.2 DRAIN WATER TEMPERING KIT



POS.	PART #	DESCRIPTION
1	9200037	DRAIN WATER TEMPERING KIT
2	<a href="#">9207617</a>	FEMALE ADAPTER 2"
3	<a href="#">9207587</a>	CHECK VALVE
4	<a href="#">0215036</a>	STREET ELBOW 90 DEGREE BRASS
5	<a href="#">9250036</a>	CLOSE NIPPLE 3/4" BRASS
6	<a href="#">9207588</a>	TEMPERING VALVE
7	9207625	BUSHING
8	<a href="#">9207621</a>	ADAPTER SLIP FEMALE 1-1/2"
9	<a href="#">9207620</a>	REDUCER BUSHING 2" SLIP X 1-1/2" SLIP
10	<a href="#">9207619</a>	SLIP TEE 2"
11	<a href="#">9207618</a>	SLIP STREET ELBOW 90 DEGREE 2"



The clean solution

**MEIKO**

1349 Heil Quaker Blvd.

La Vergne, TN 37086

Phone: (615) 399-6600

(800) 55-MEIKO

Fax: (615) 399-6620