

K-TRONIC

Series

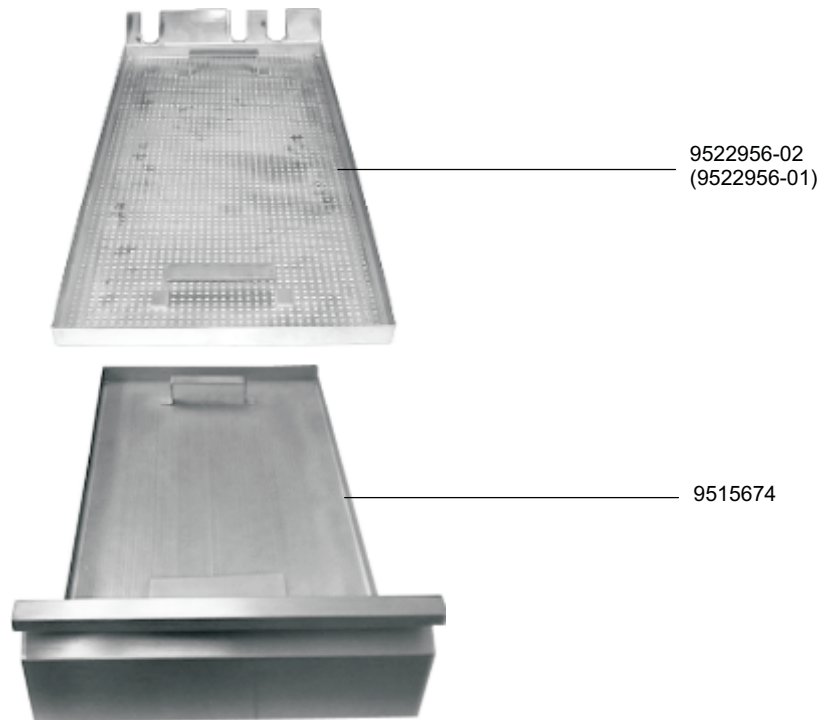
K 200 / K 400



Spare Parts List



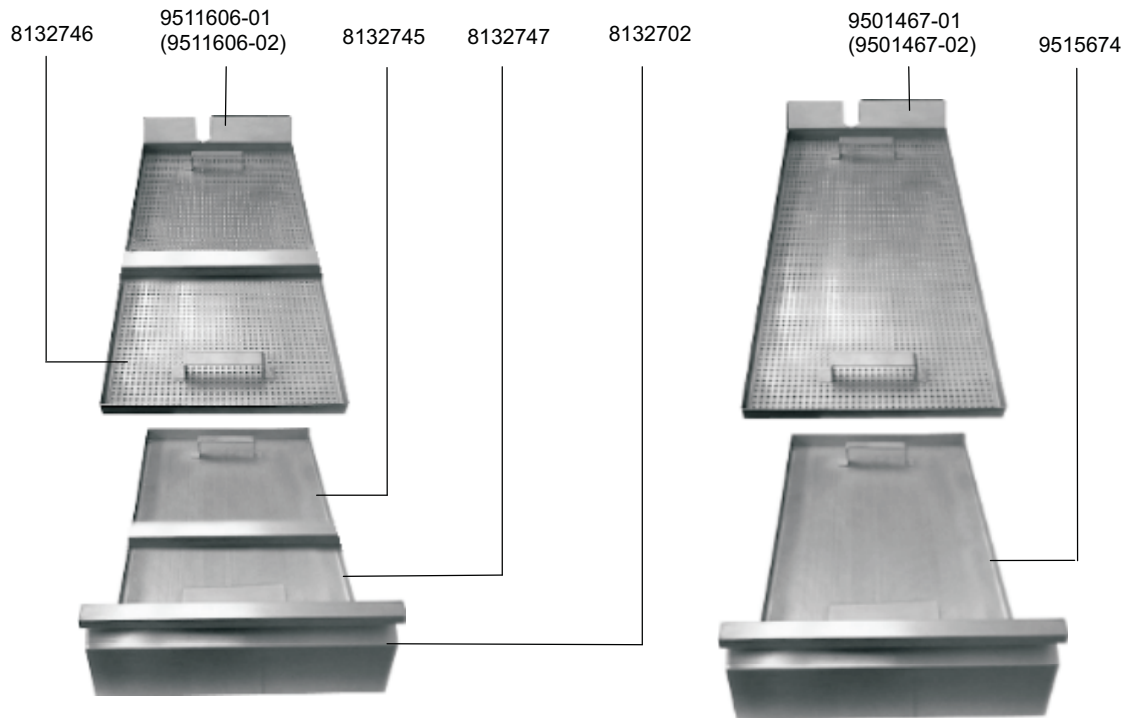
4.2 TANK COVERING SIEVE-CSS



PART NO.	DESCRIPTION
----------	-------------

9515674	TANK COVERING SIEVE
9522956-01	TANK COVERING SIEVE L-R (NOT DISPLAYED)
9522956-02	TANK COVERING SIEVE R-L

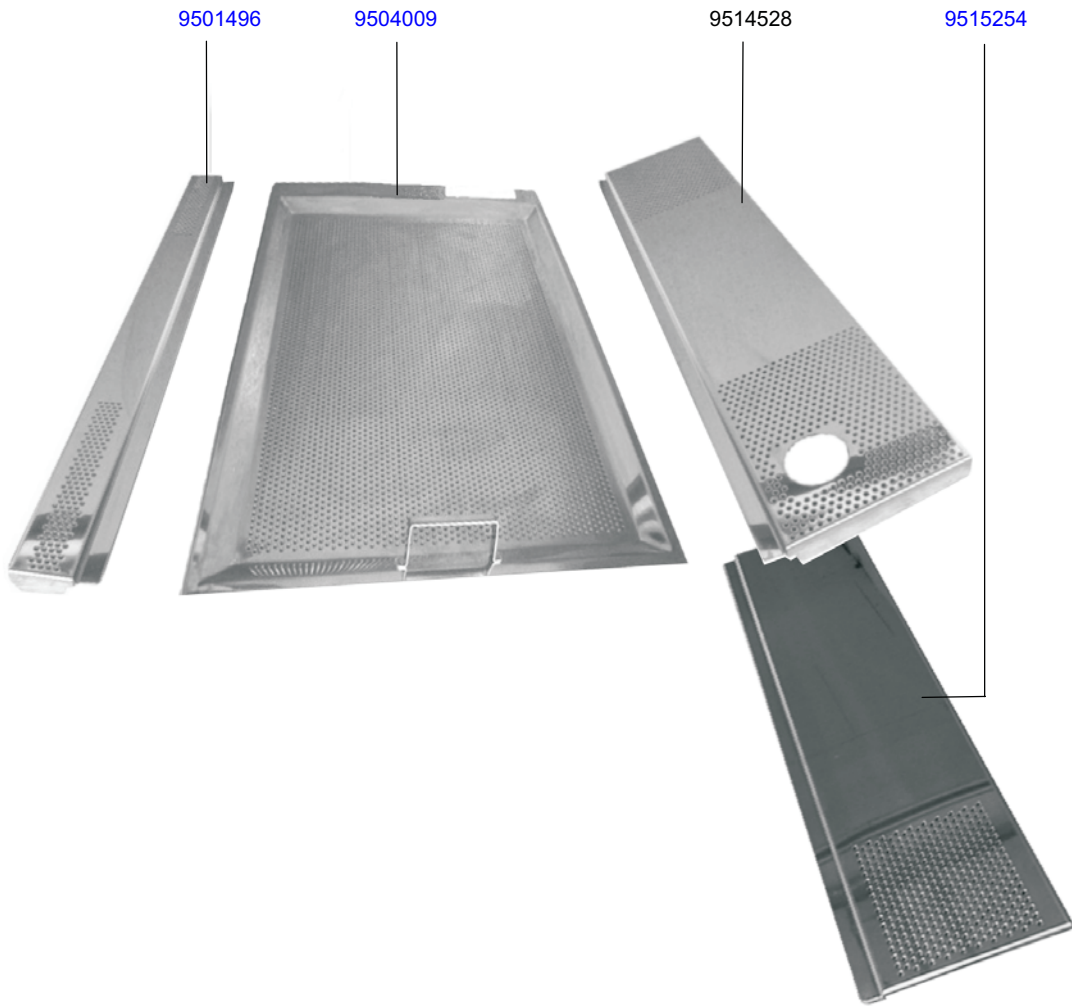
4.1 TANK COVERING SIEVE-KV



PART NO.	DESCRIPTION
----------	-------------

9515674	TANK COVERING SIEVE
9501467-01	TANK COVERING SIEVE L-R
9501467-02	TANK COVERING SIEVE R-L (NOT DISPLAYED)
8132702	FRONT SHEET
8132747	TANK COVERING SIEVE
8132745	TANK COVERING SIEVE
9511606-01	TANK COVERING SIEVE L-R
9511606-02	TANK COVERING SIEVE R-L (NOT DISPLAYED)
8132746	TANK COVERING SIEVE

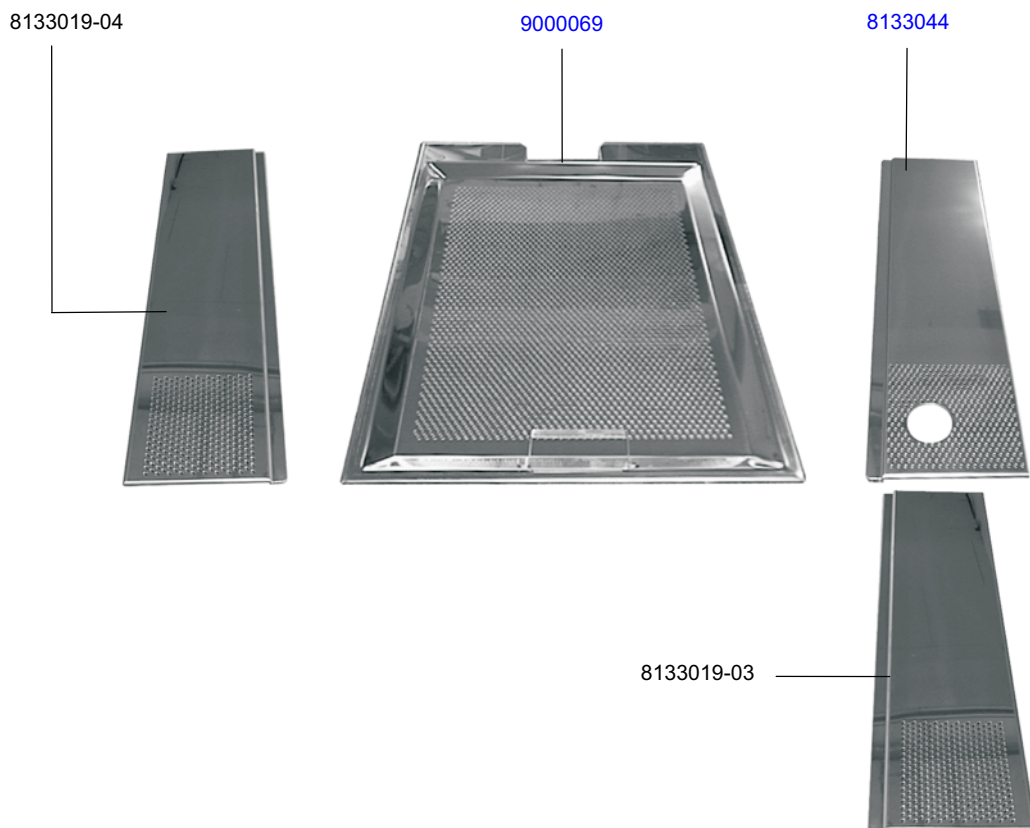
4.3 TANK COVERING SIEVE



PART NO.	DESCRIPTION
----------	-------------

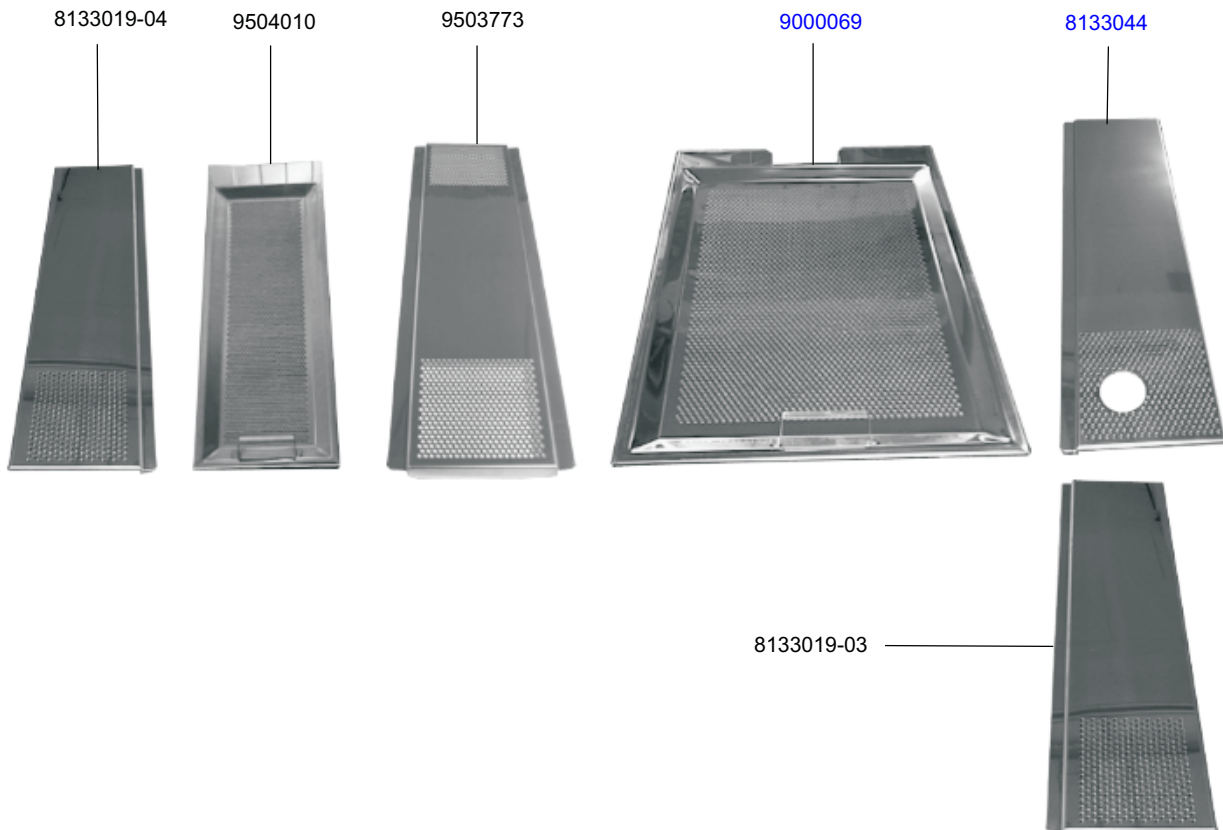
9515254	SIEVE SUPPORT
9514528	SIEVE SUPPORT
9504009	TANK COVERING SIEVE
9501496	SIEVE SUPPORT

4.4 TANK COVERING SIEVE



PART NO.	DESCRIPTION
8133044	SIEVE SUPPORT
9000069	TANK COVERING SIEVE
8133019-03	SIEVE SUPPORT
8133019-04	SIEVE SUPPORT

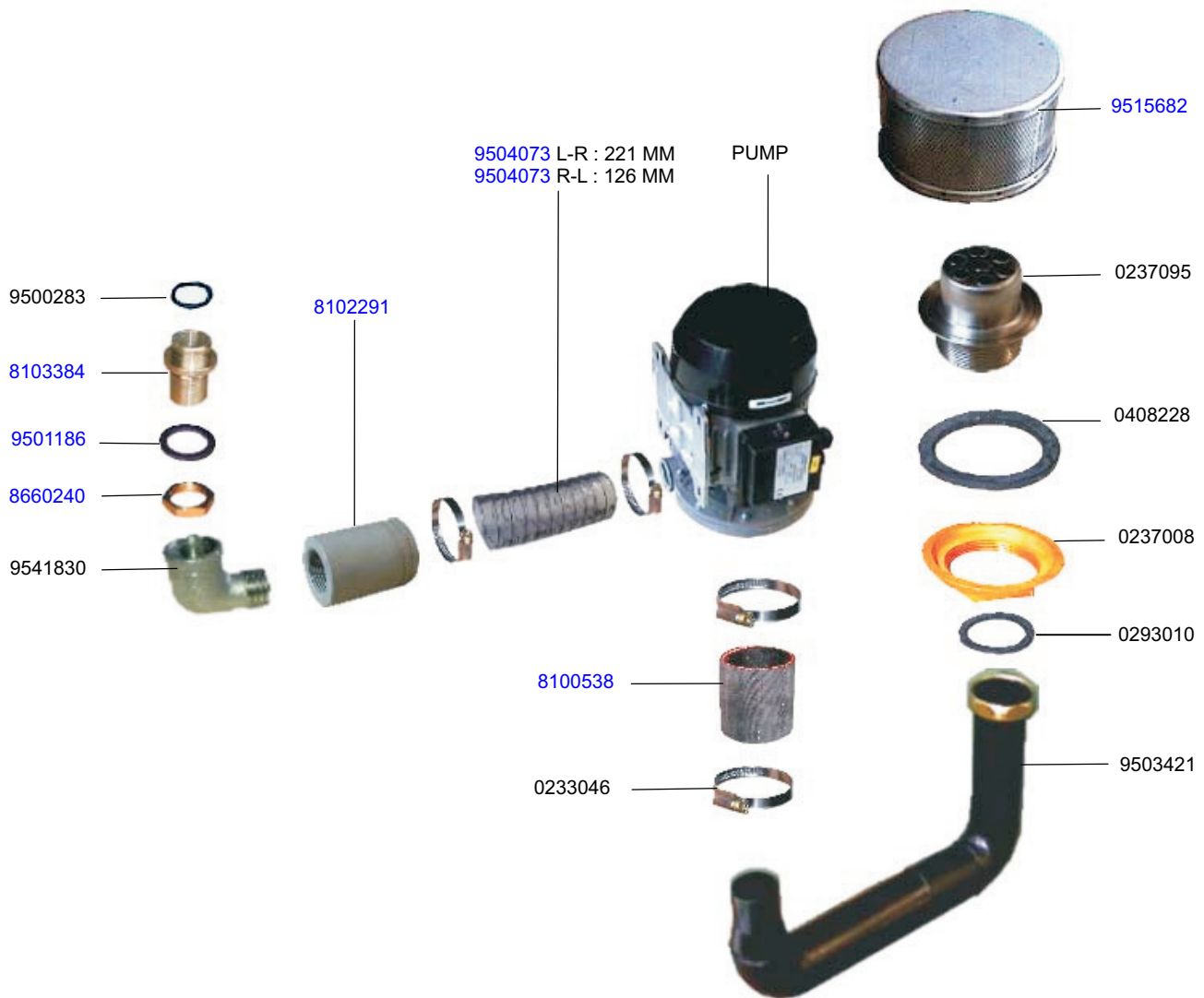
4.5 TANK COVERING SIEVE



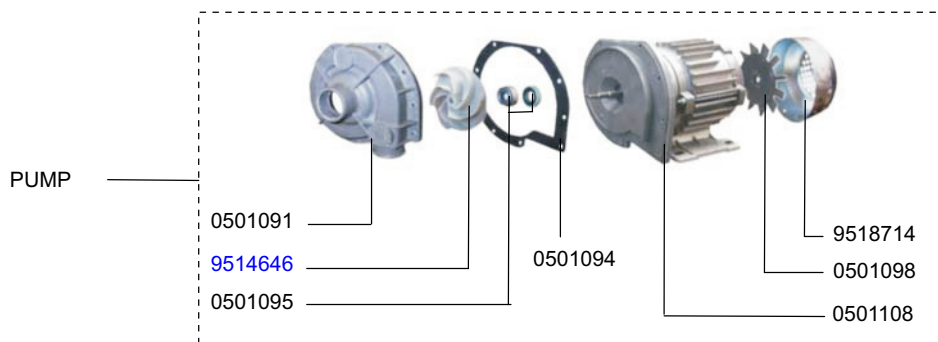
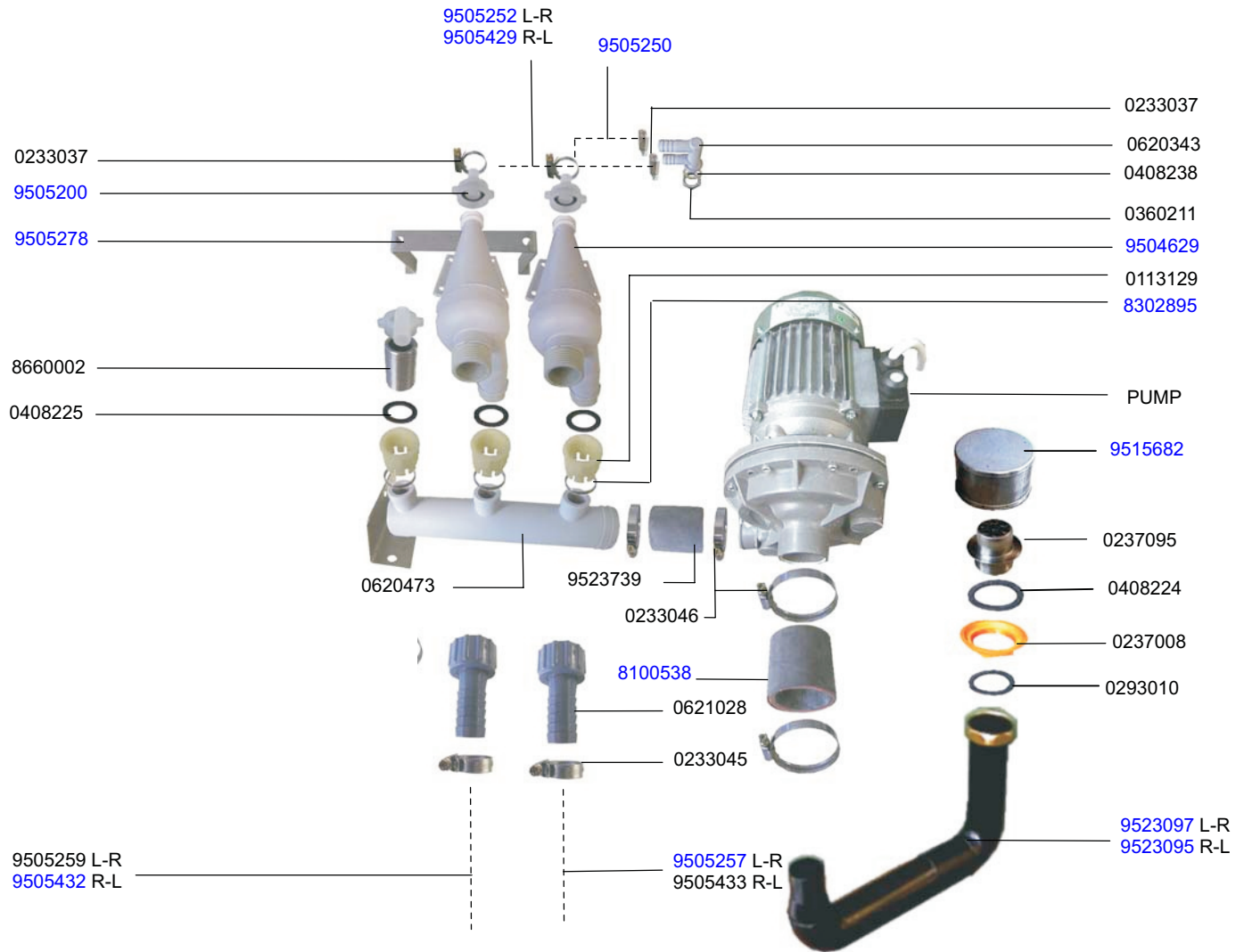
PART NO.	DESCRIPTION
----------	-------------

8133044	SIEVE SUPPORT
9000069	TANK COVERING SIEVE
9503773	SIEVE SUPPORT
9504010	TANK COVERING SIEVE
8133019-03	SIEVE SUPPORT
8133019-04	SIEVE SUPPORT

6.1 WASHPUMP KV



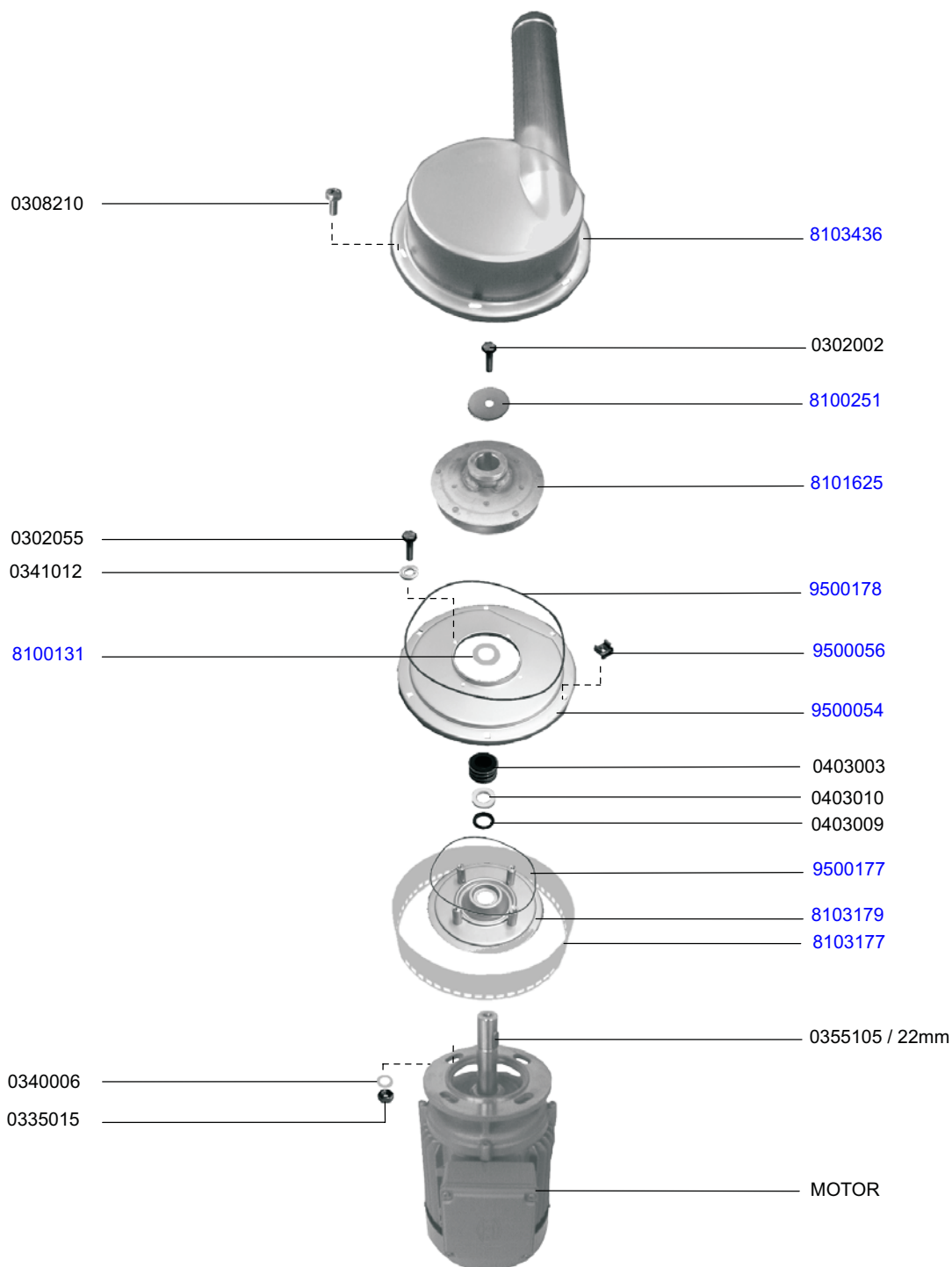
6.2 WASH PUMP CSS



6.2 WASH PUMP CSS

PART NO.	DESCRIPTION
9523097	SUCTION PORT L-R
9523095	SUCTION PORT R-L
0293010	PACKING
0237008	NUT 2"
0408224	PACKING
0237095	SUCTION SIEVE
9515682	SUCTION SIEVE
PUMP	SEE ELECTRIC WIRING DIAGRAM
8302895	SUPPORT RING
0113129	CONNECTION PIECE
* 9504629	CYCLONE HOUSING
0360211	NUT
0408238	PACKING
0620343	HOSE CONNECTION
0233037	HOSE WIRE CLAMP
9505250	HOSE
9505252	HOSE L-R
9505429	HOSE R-L
9505200	CONNECTION PIECE
9505278	SUPPORT
8660002	BOLT
* 0408225	PACKING
9505259	HOSE L-R
9505432	HOSE R-L
0620473	DISTRIBUTION PIPE
9523739	HOSE
0233046	HOSE WIRE CLAMP
8100538	HOSE
0621028	CONNECTOR
0233045	HOSE WIRE CLAMP
9505257	HOSE L-R
9505433	HOSE R-L
0501091	PUMP HOUSING
* 9514646	PUMP WHEEL
V 0501095	SLIDING SEAL
0501094	PACKING
0501108	PUMP LID
0501098	FAN WHEEL
9518714	FAN COWL

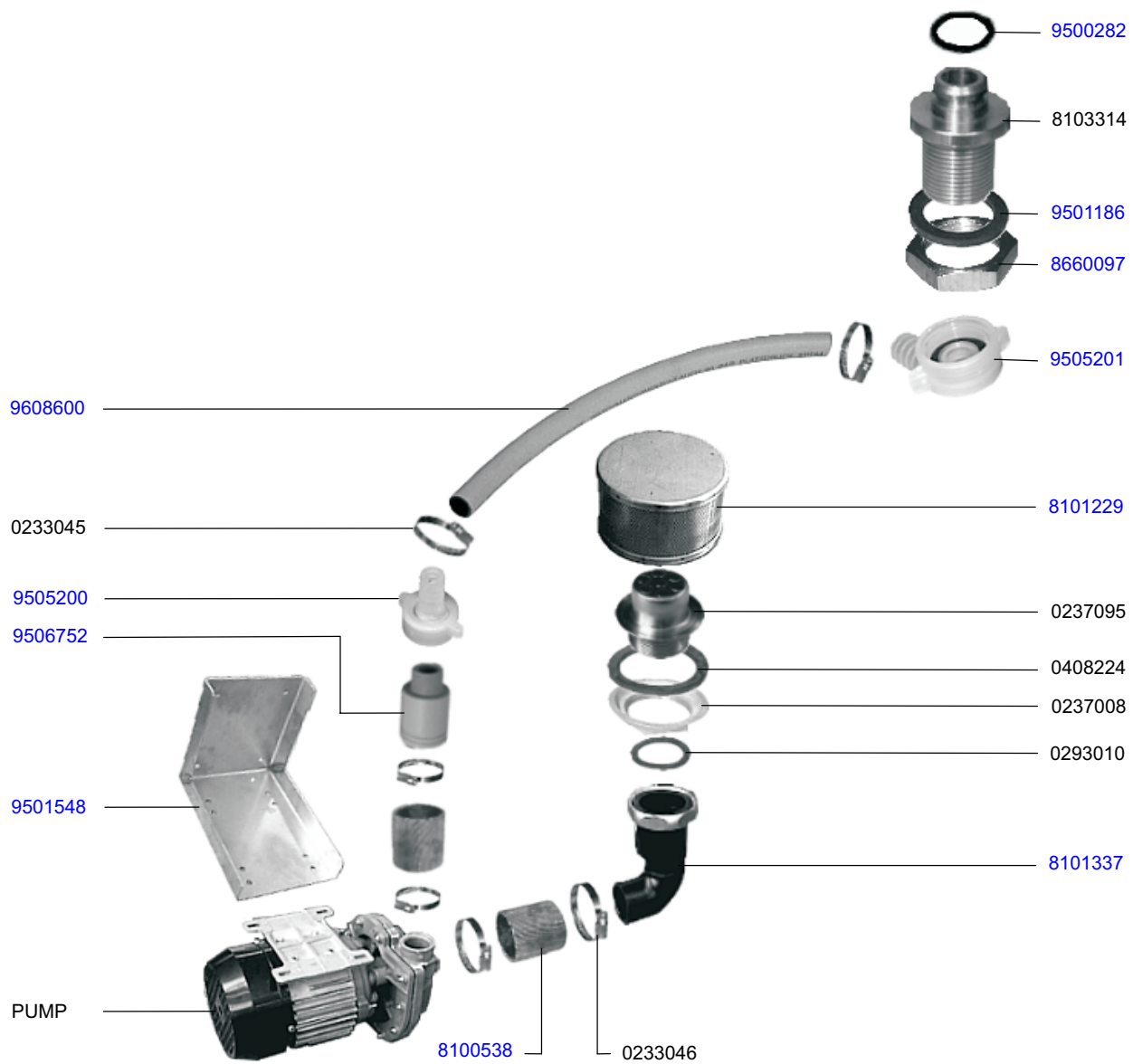
6.4 WASH PUMP 1,7KW CRNI, 50HZ



6.4 WASH PUMP 1,7KW CRNI, 50HZ

PART NO.	DESCRIPTION
MOTOR	SEE ELECTRIC WIRING DIAGRAM
* 0355105	FEATHER KEY A 8X7X22
8103177	SUCTION SIEVE
8103179	MOTOR SUPPORT
* 9500177	GASKET 70°
V 0403009	COLLAR PER BUNAN 30X40X7
V 0403010	SLIDING SEAL CERAMICS 25X38X8
V 0403003	SLIDING SEAL 25X44X20
9500054	PUMP BASE
9500056	NUT M6 1.2-1.6
* 9500178	GASKET 70°
* 8101625	IMPELLER 1.7KW 120X49
8100251	FRONT DISC 34X7X2
0302002	HEXAGON SCREW
8103436	PUMP LID CPL.
0308210	SCREW M6X10
0302055	HEXAGON SCREW M6X12
0341012	SPRING RING 6
8100131	SUPPORT DISC 38X24.1X1
0340006	WASHER BRASS NICKELLED 18X8.4X2
0335015	HEXAGON NUT M8

6.5 WASHPUMP - PUMP FINAL RINSE

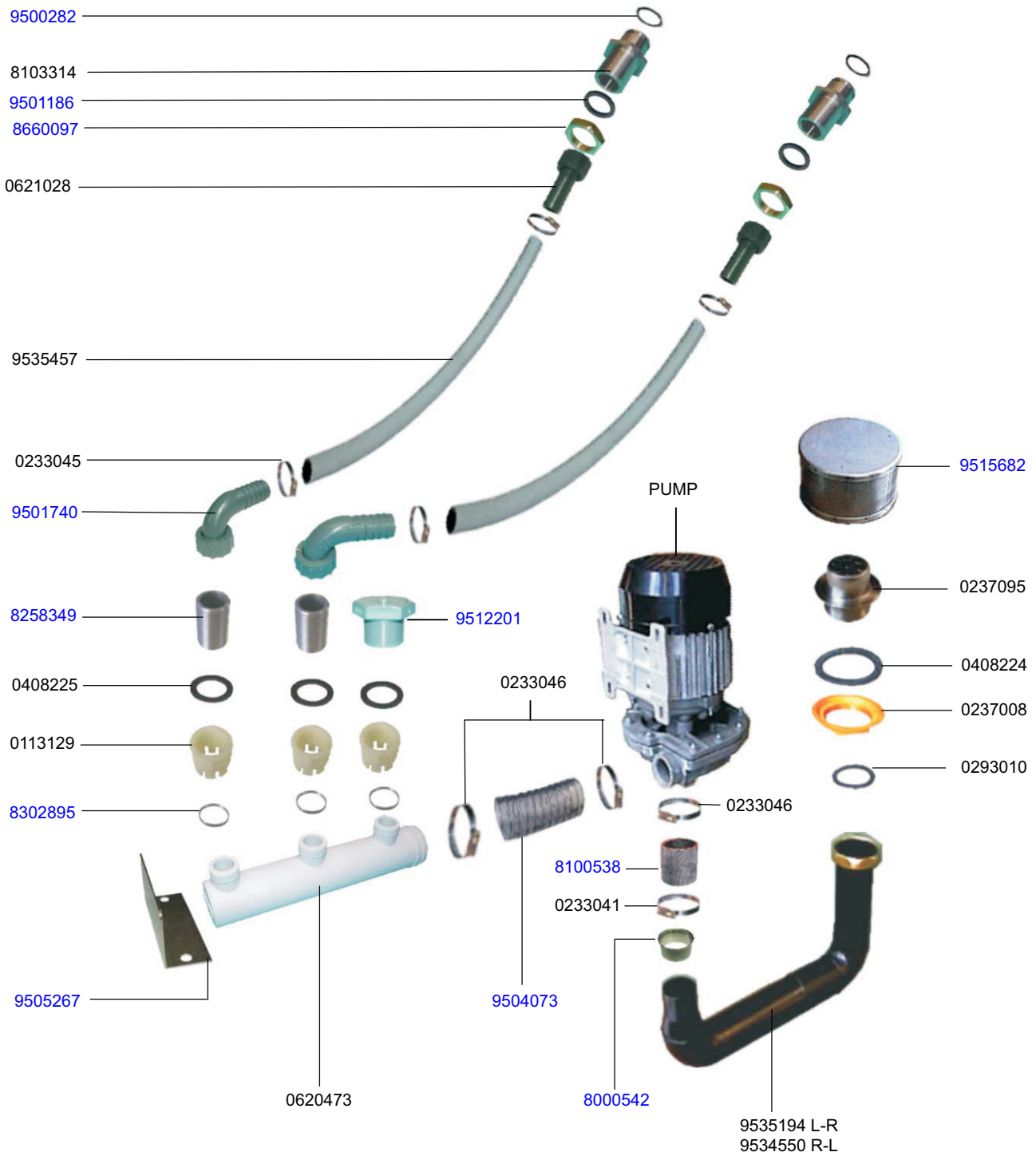




6.5 WASHPUMP - PUMP FINAL RINSE

PART NO.	DESCRIPTION
8101337	SUCTION PORT
0293010	PACKING
0237008	NUT 2"
0408224	PACKING
0237095	SUCTION SIEVE
8101229	SUCTION SIEVE
9505201	CONNECTION ANGLE
8660097	NUT ¾"
9501186	PACKING
8103314	TANK THROUGH LEAD
* 9500282	O-RING
9608600	HOSE ½"
0233045	HOSE WIRE CLAMP 20-32
9505200	CONNECTION PART
9506752	CONNECTION PART
9501548	CONSOLE
PUMP	SEE ELECTRIC WIRING DIAGRAM
8100538	HOSE
0233046	HOSE WIRE CLAMP 32-50

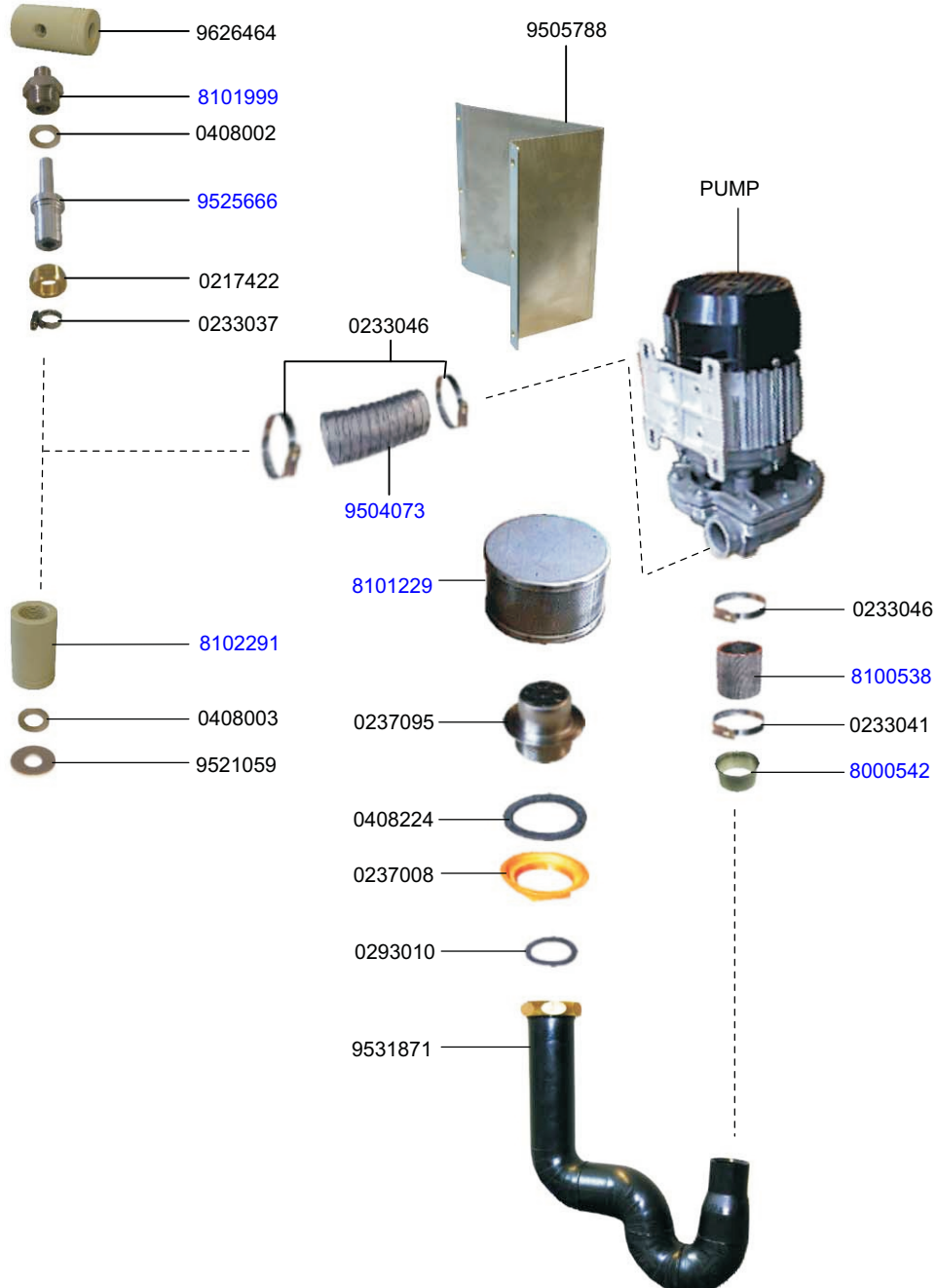
6.6 WASHPUMP V 750



6.6 WASHPUMP V 750

PART	NO..	DESCRIPTION
	9535194	SUCTION PORT L-R
	9534550	SUCTION PORT R-L
	0293010	PACKING
	0237008	NUT 2"
	0408224	PACKING
	0237095	SUCTION SIEVE
	9515682	SUCTION SIEVE
	9501740	CONNECTION ANGLE
	8660097	NUT ¾"
	9501186	PACKING
	8103314	TANK THROUGH LEAD
*	9500282	O-RING
	9535457	HOSE
	0233045	HOSE WIRE CLAMP 20-32
	0233046	HOSE WIRE CLAMP 32-50
	0621028	CONNECTION PIECE
	8258349	NIPPLE
	PUMP	SEE ELECTRIC WIRING DIAGRAM
	8100538	HOSE
	0233046	HOSE WIRE CLAMP 32-50
*	0408225	PACKING
	0113129	CONNECTION PIECE
	8302895	SUPPORT RING
	9505267	SUPPORT
	0620473	DISTRIBUTION PIPE
	9504073	HOSE
	0233041	HOSE WIRE CLAMP 40-60
	9512201	BOLT
	8000542	SUPPORT RING

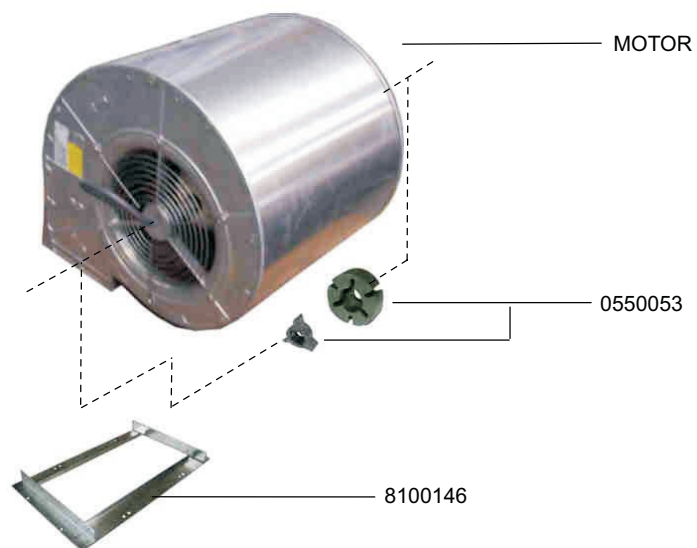
6.7 WASHPUMP PI



6.7 WASHPUMP PI

PART NO.	DESCRIPTION
9626464	HOSE CONNECTOR
8101999	ADAPTER
0408002	PACKING
9525666	STOP
0217422	SLEEVE NUT
0233037	HOSE WIRE CLAMP
9505788	SUPPORT
0233046	HOSE WIRE CLAMP 32-50
9504073	HOSE
8102291	NIPPLE
0408003	FLAT PACKING 17X24X1.5
9521059	THROTTLE DISK
8101229	SUCTION SIEVE
0237095	SUCTION SIEVE
0408224	PACKING
0237008	NUT 2"
0293010	PACKING
9531871	SUCTION PORT
8000542	SUPPORT RING
0233041	HOSE WIRE CLAMP 40-60
8100538	HOSE
0233046	HOSE WIRE CLAMP 32-50

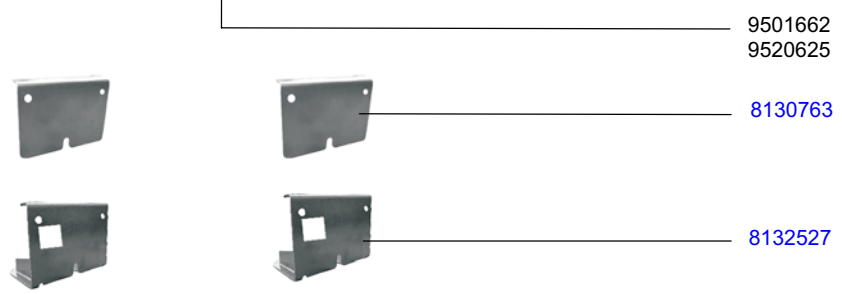
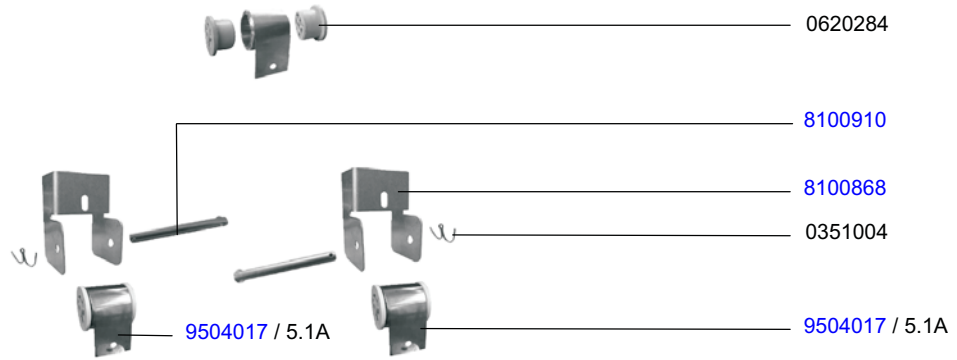
7 DRYING



PART NO..	DESCRIPTION
-----------	-------------

8100146	FRAME FOR FAN 1.4301 440X250X30
MOTOR	SEE ELECTRIC WIRING DIAGRAM
V 0550053	BEARING BUSH 1610-023 00273340

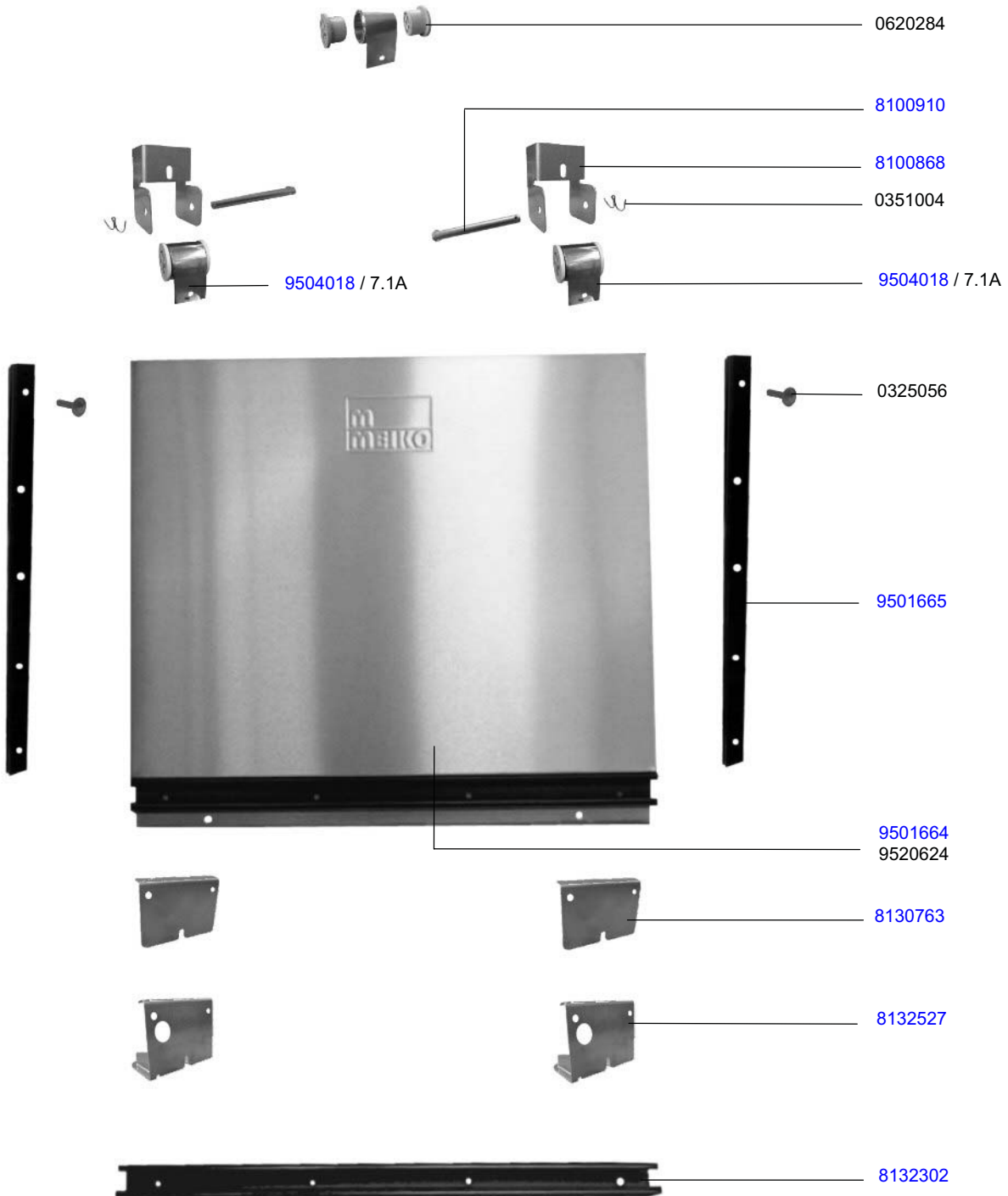
8.1 DOOR 500



8.1 DOOR 500

PART NO.	DESCRIPTION
8132301	DOOR HANDLE PROFILE DOOR = 500MM
8132527	DOOR CATCH WITH DRAIN CLOSING SYSTEM
8130763	DOOR CATCH
9501662	DOOR
9520625	DOOR WITHOUT EMBOSSING
9501665	GUIDE RAIL
0325056	SCREW M5X30
V 9504017	ROLLER SPRING 5.1A
* 0351004	SPLIT 2X20
8100868	SCROLL SPRING SUPPORT
8100910	BOLT SHORT 8X78
* 0620284	SUPPORT ROLL 1/2"

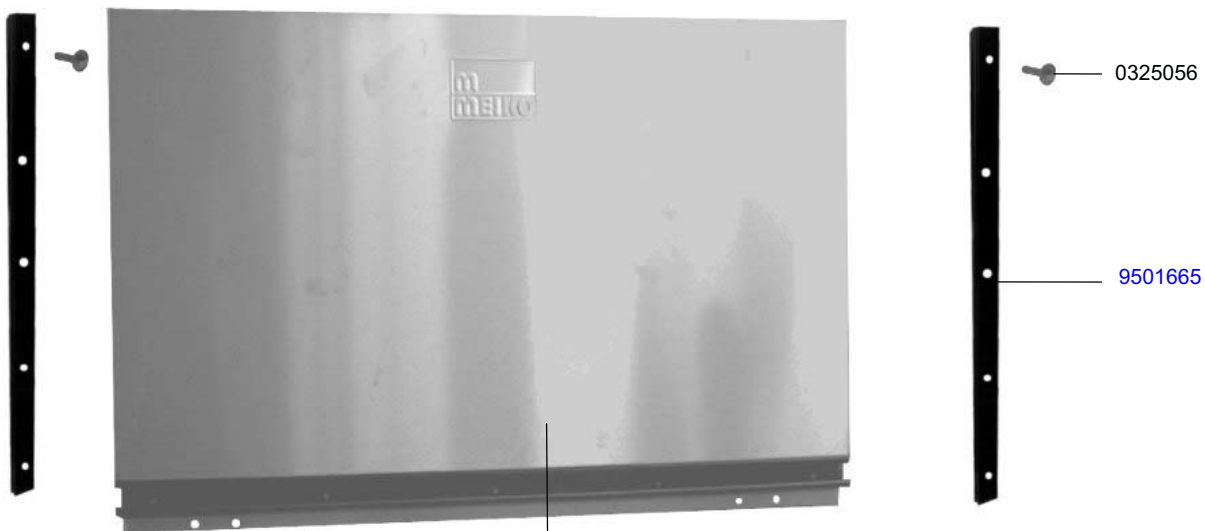
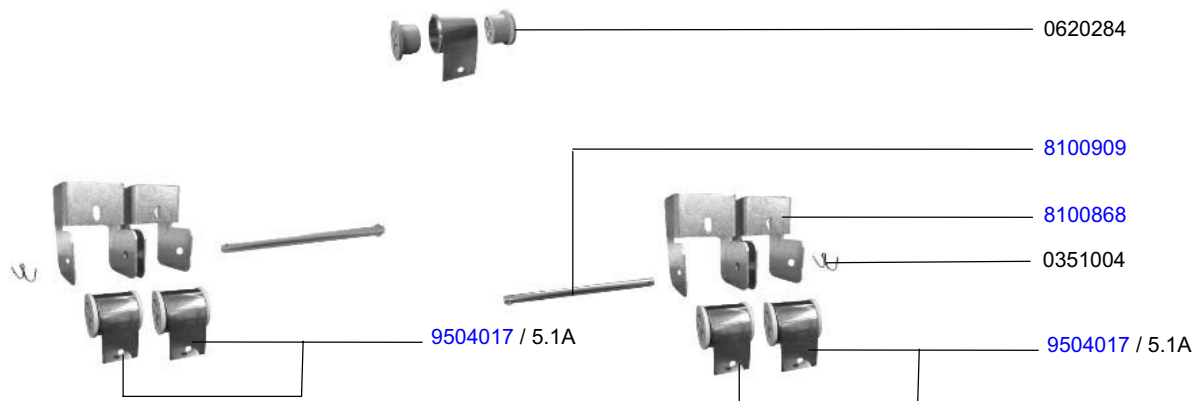
8.2 DOOR 800



8.2 DOOR 800

PART NO.	DESCRIPTION
8132302	DOOR HANDLE PROFILE DOOR = 800MM
8132527	DOOR CATCH WITH DRAIN CLOSING SYSTEM
8130763	DOOR CATCH
9501664	DOOR
9520624	DOOR WITHOUT EMBOSSING
9501665	GUIDE RAIL
0325056	SCREW M5X30
V 9504018	ROLLER SPRING 7.1A
* 0351004	SPLIT 2X20
8100868	SCROLL SPRING SUPPORT
8100910	BOLT SHORT 8X78
* 0620284	SUPPORT ROLL 1/2"

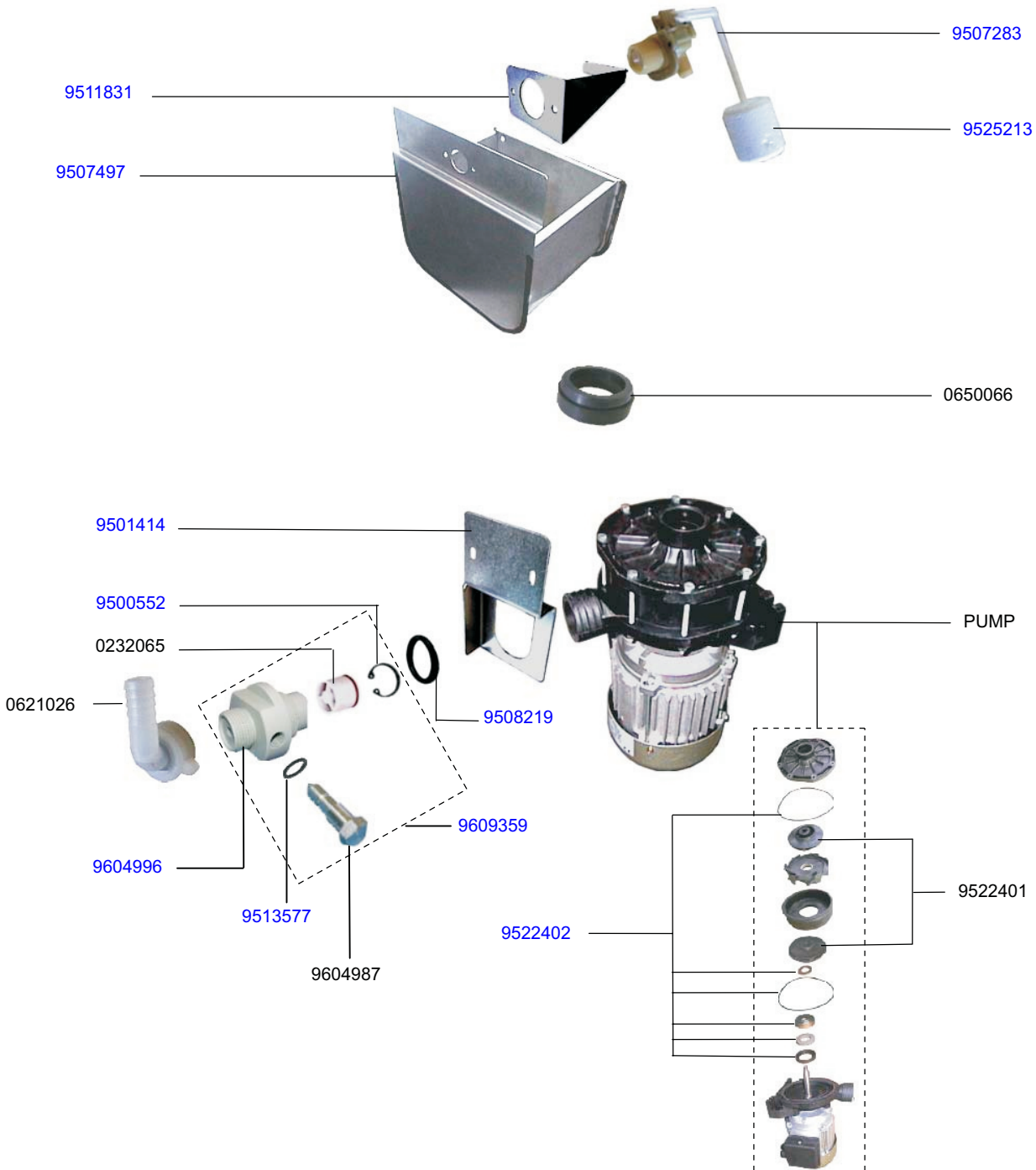
8.3 DOOR 1200



8.3 DOOR 1200

PART NO.	DESCRIPTION
8132303	DOOR HANDLE PROFILE DOOR 1200MM
8132528	DOOR CATCH WITH DRAIN CLOSING SYSTEM
8130764	DOOR CATCH
9501666	DOOR
9501665	GUIDE RAIL
0325056	SCREW M5X30
V 9504017	ROLLER SPRING 5.1A
* 0351004	SPLIT 2X20
8100868	SCROLL SPRING SUPPORT
8100909	BOLT LONG 8X149
* 0620284	SUPPORT ROLL ½"

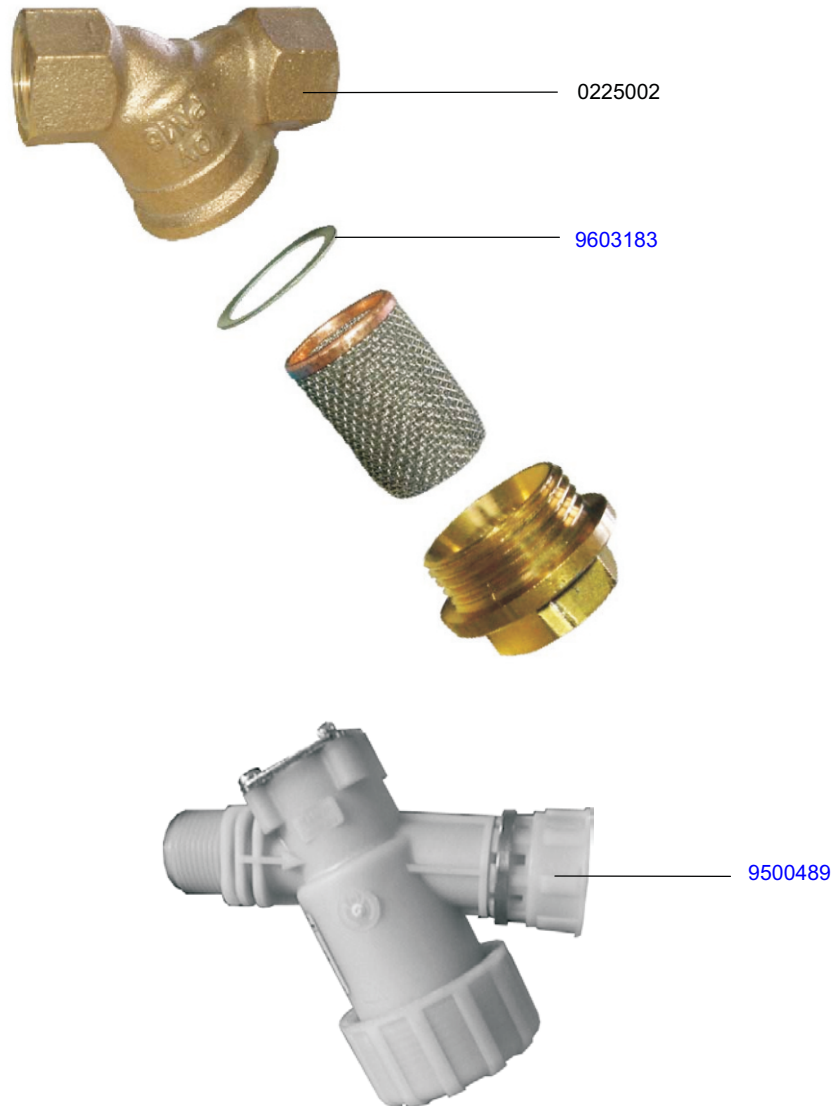
9.1.2 FRESH WATER MAINS ISOLATING DEVICE



9.1.2 FRESH WATER MAINS ISOLATING DEVICE

PART NO.	DESCRIPTION
PUMP	SEE ELECTRIC WIRING DIAGRAM
* 0650066	MUFF
* 9525213	FLOAT
* 9507283	FLOAT VALVE
9511831	SUPPORT
9507497	CONTAINER
9501414	SUPPORT
9500552	SAFETY RING
0232065	CHACK VALVE
0621026	CONNECTION ANGLE
9609359	ADAPTER CPL.
9604996	ADAPTER
9513577	O-RING
9604987	THROTTLE
* 9508219	O-RING
V 9522402	PACKING
* 9522401	PUMP WHEEL

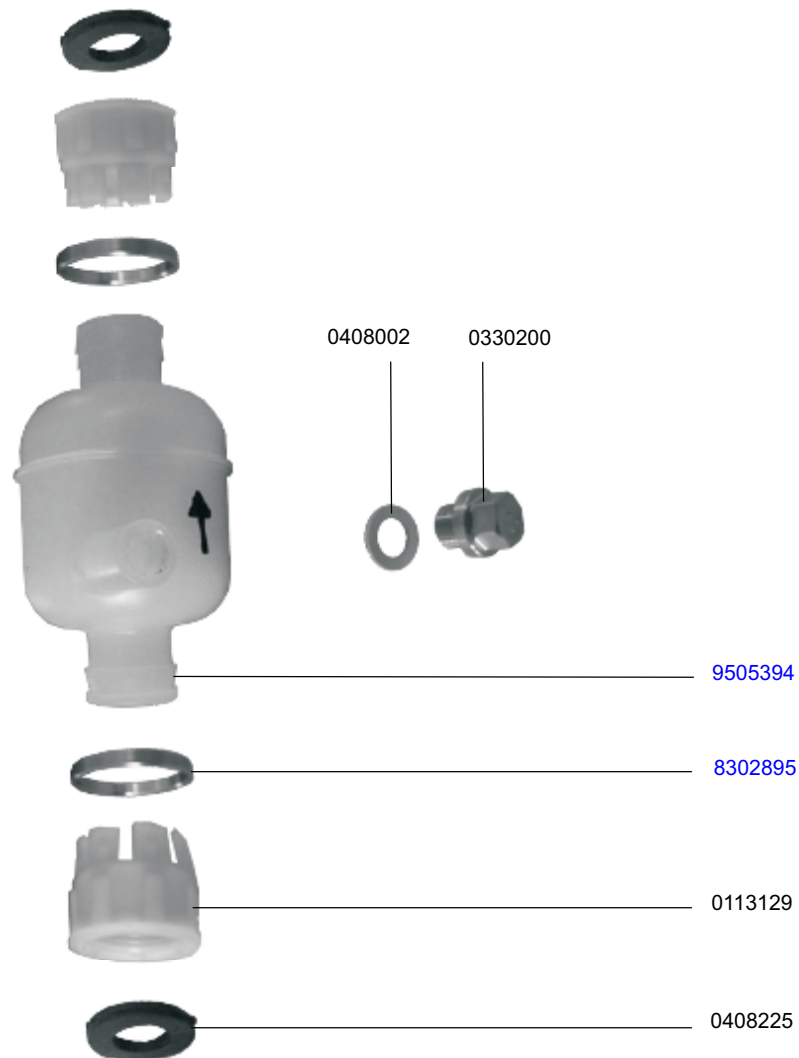
9.2 FILTER



PART NO.	DESCRIPTION
----------	-------------

0225002	DIRT TRAP ½"
V 9603183	SEAL
9500489	DIRT TRAP ¾"
9500489	BRASS Y-STRAINER ¾" (GASKET DIMENSIONS = 41MM X 34MM X 1.3MM)
0408109	STEEL REINFORCED NYLON GASKET FOR BRASS Y-STRAINER 45MMX34MMX1.6MM

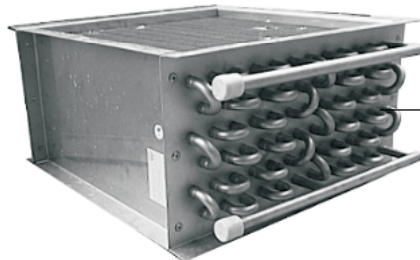
9.7 RINSE-AID MIXING CHAMBER



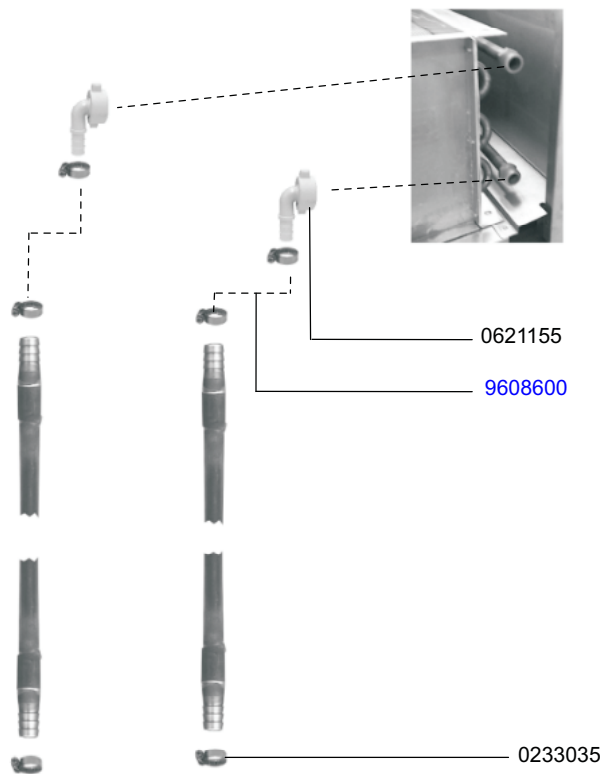
PART NO.	DESCRIPTION
----------	-------------

9513107	MIXING CHAMBER CPL.
0408225	PACKING
0113129	CONNECTION PART
8302895	RING
9505394	MIXING CHAMBER
0330200	SCREW 1/8"
0408002	PACKING

9.8 HEAT EXCHANGER



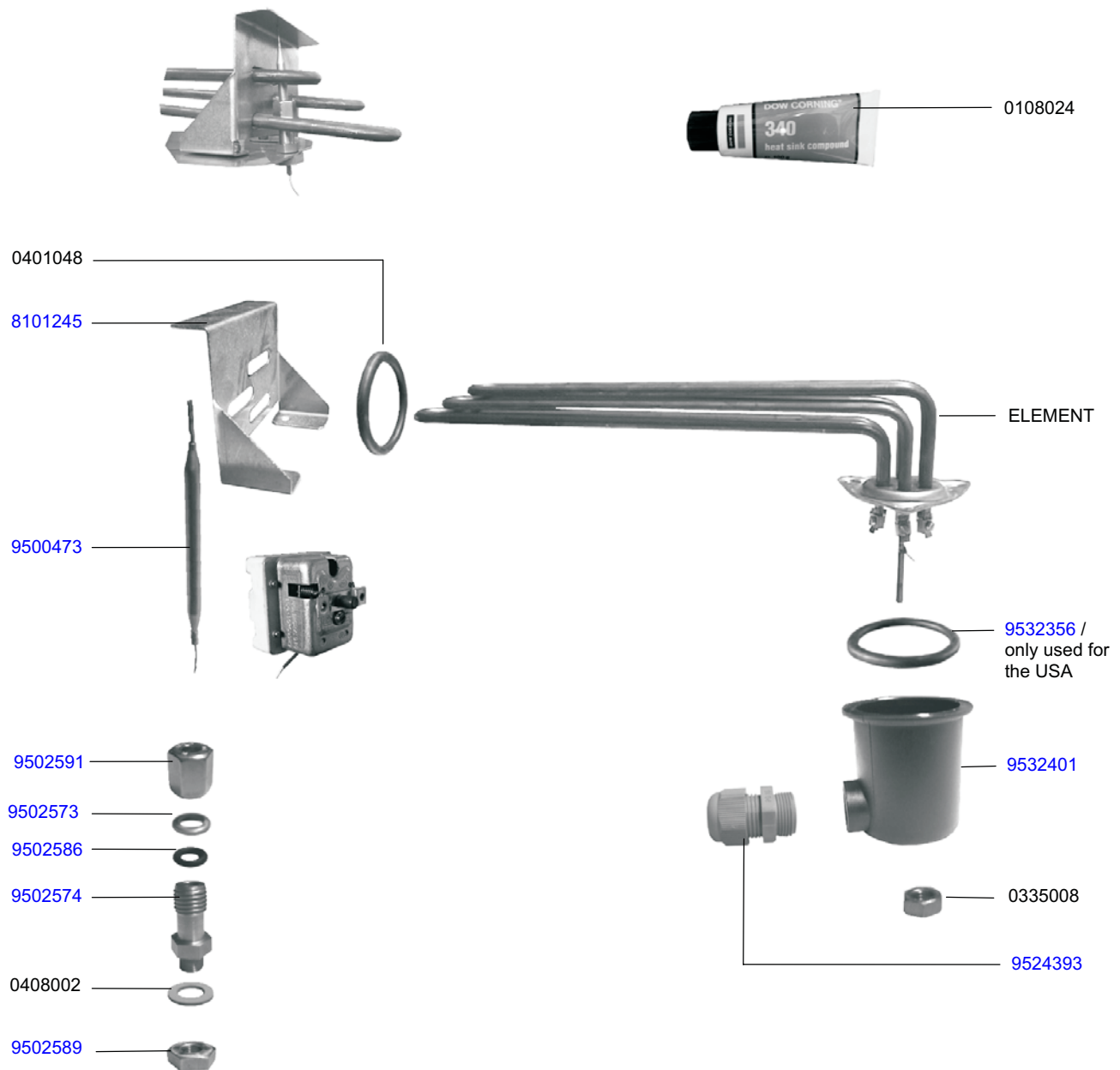
0254026 / STAINLESS STEEL
9623385 / COPPER



PART NO.	DESCRIPTION
----------	-------------

0233035	HOSE WIRE CLAMP 12-20
9608600	HOSE ½"
0621155	CONNECTION ANGLE
0254026	COOLER (STAINLESS STEEL)
9623385	COOLER (COPPER)

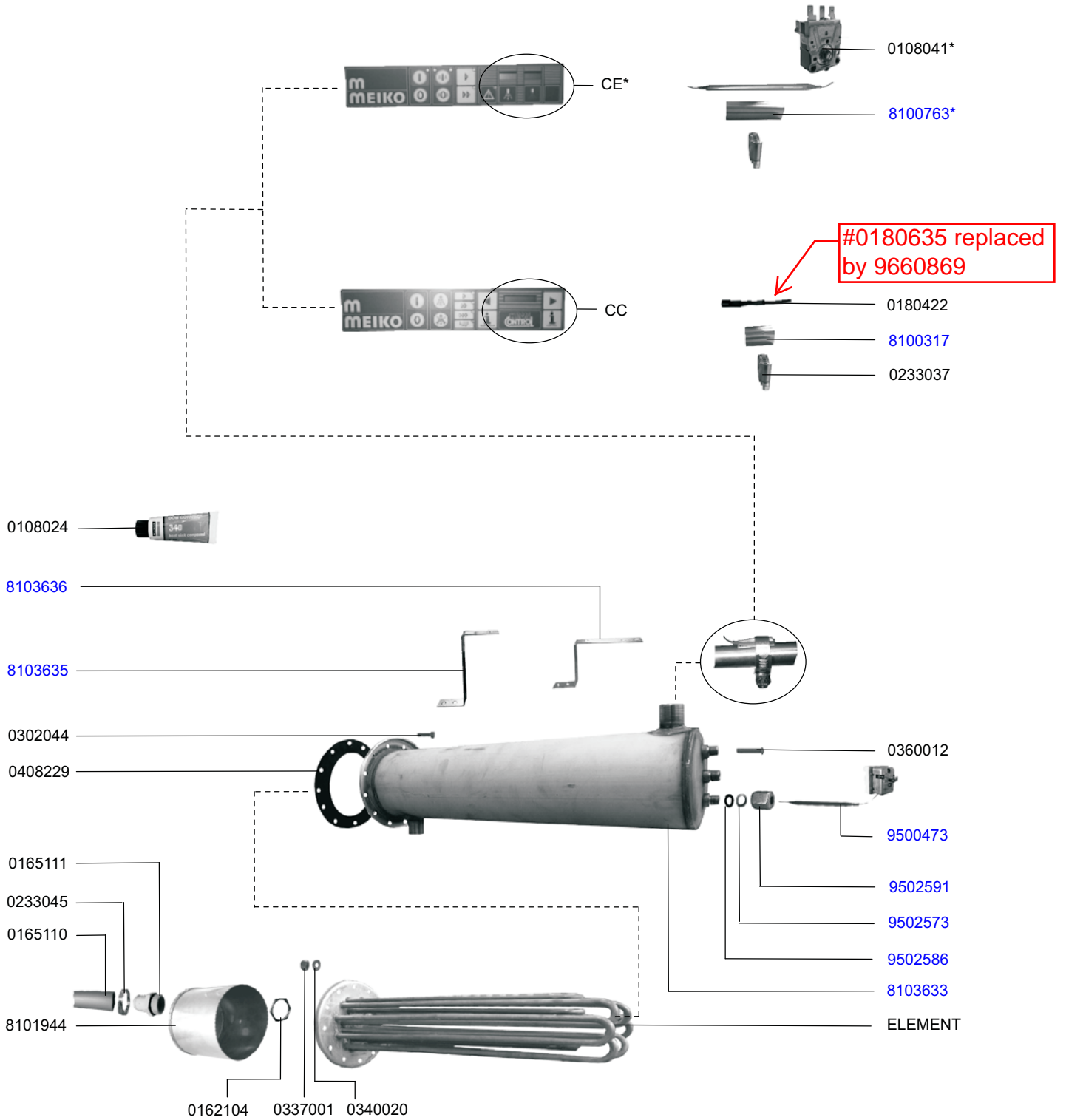
10.1.1 TANK HEATING ELEMENT, ELECTRICAL



10.1.1 TANK HEATING ELEMENT, ELECTRICAL

PART NO.	DESCRIPTION
0108024	CONDUCTIVE PASTE
ELEMENT	SEE ELECTRIC WIRING DIAGRAM
* 9532356	O-RING
9532401	HEATING ELEMENT COVERED
0335008	HEXAGON NUT M5
9524393	SCREWING
9502589	HEXAGON NUT 1/8"
0408002	PACKING
9502574	SCREWING
* 9502586	O-RING
9502573	DISK
9502591	SLEEVE NUT M12
* 9500473	TEMPERATURE PROBE
8101245	FIXATION
* 0401048	O-RING

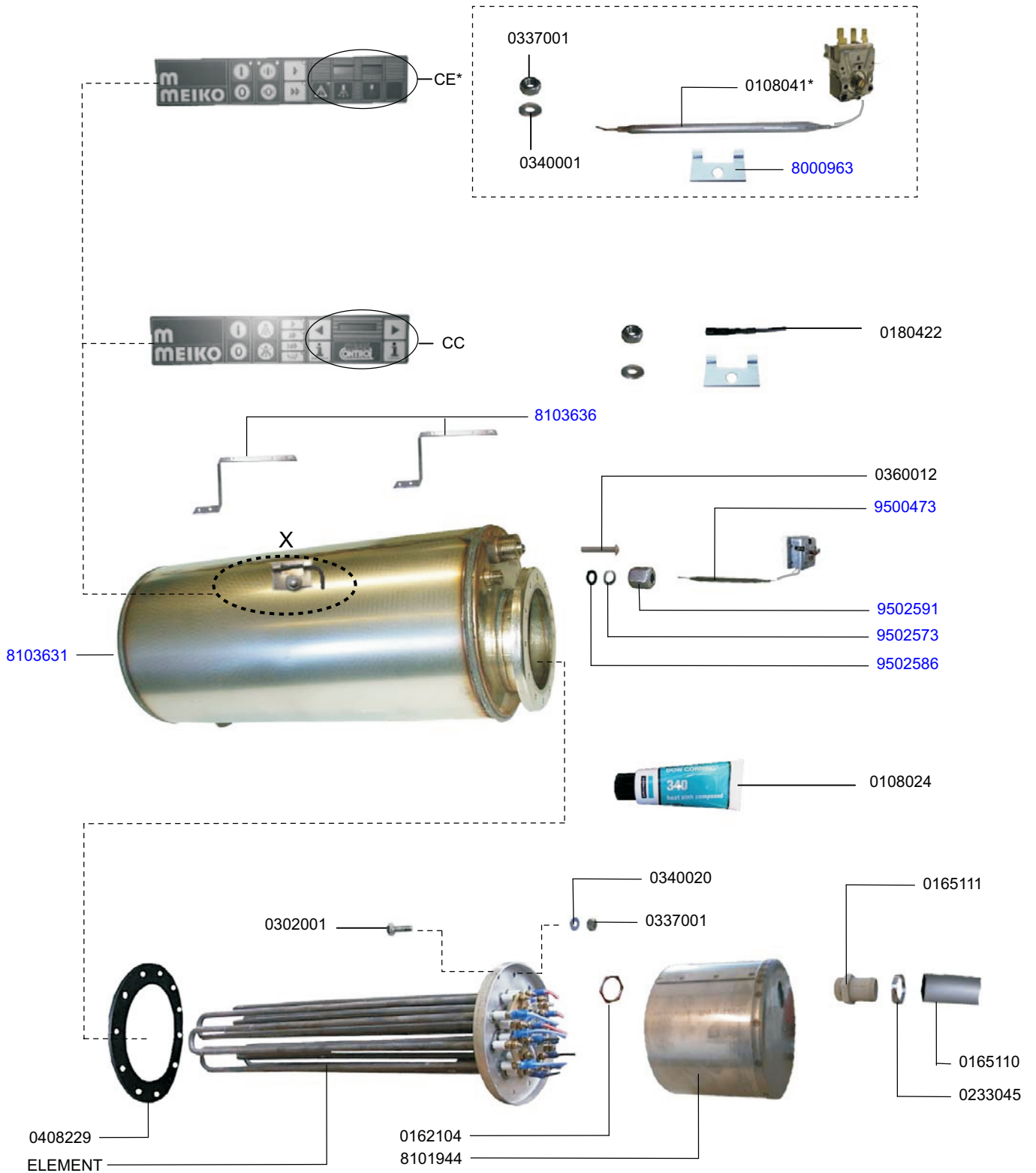
10.1.2 BOILER



10.1.2 BOILER

PART NO.	DESCRIPTION
ELEMENT	SEE ELECTRIC WIRING DIAGRAM
8103633	BOILER
* 9502586	O-RING
9502573	DISK
* 9500473	TEMPERATURE LIMITER
9502591	SLEEVE NUT
0360012	ROUND HEAD RIVET
0233037	HOSE WIRE CLAMP 16-27
8100317	FIXATION
0180422	CABLE HARNESS
8100763	HOLDER
* 0108041	TEMPERATURE LIMITER
0108024	CONDUCTIVE PASTE
8103636	FIXATION ANGLE
8103635	FIXATION ANGLE
0302044	SCREW M6X110
0408229	PACKING
0165111	SCREWING
0233045	HOSE WIRE CLAMP 20-32
0165110	HOSE
8101944	PROTECTION COVER
0162104	COUNTERNUT
0337001	HEXAGON NUT M5
0340020	DISK

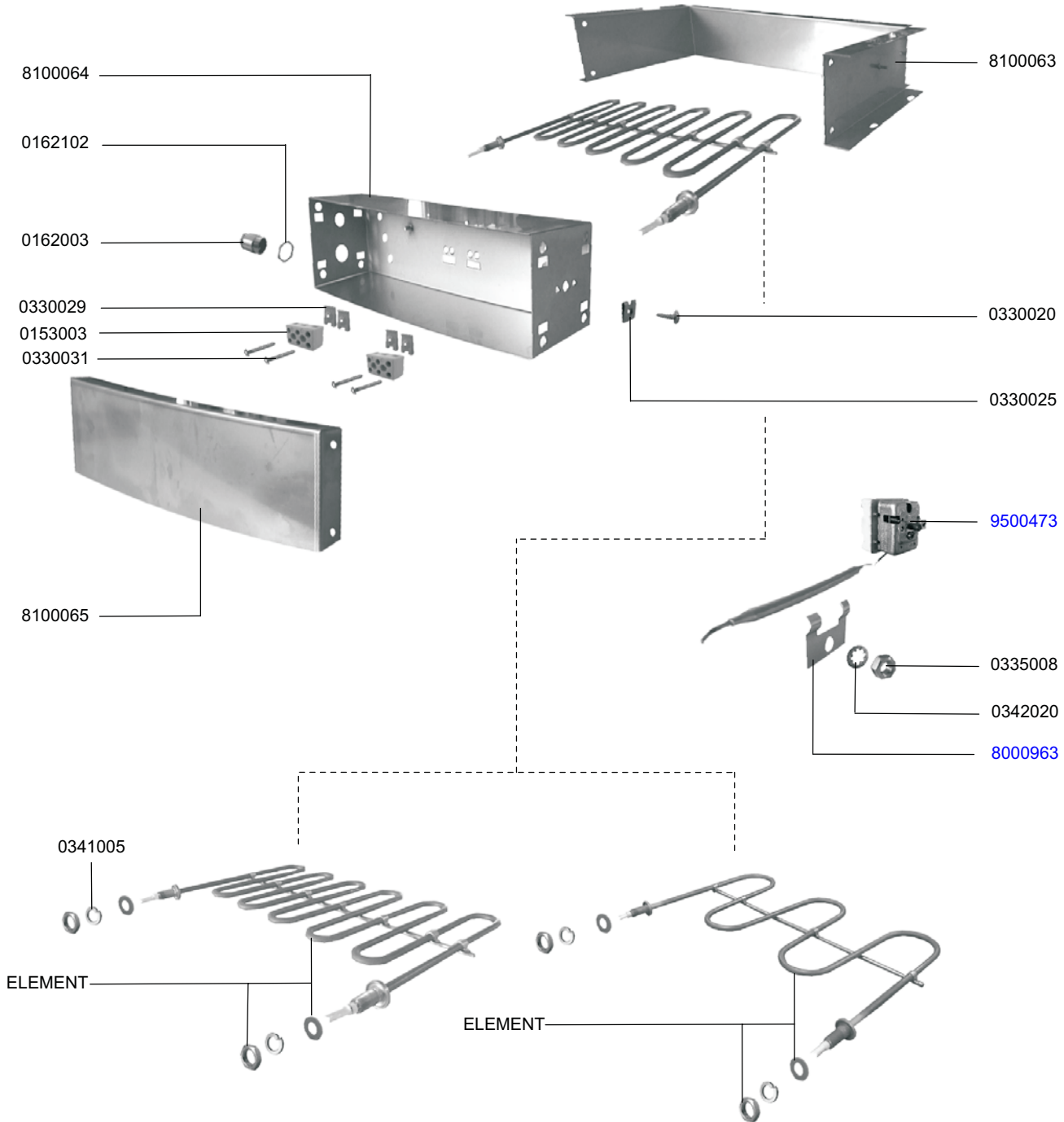
10.1.3.1 BOILER



10.1.3.1 BOILER

PART NO.	DESCRIPTION
8101944	PROTECTION COVER
0165111	SCREWING
0165110	HOSE
0233045	HOSE WIRE CLAMP 20-32
* 9502586	O-RING
9502573	DISK
9502591	SLEEVE NUT
* 9500473	TEMPERATURE LIMITER
0360012	ROUND HEAD RIVET
8000963	FIXATION
0180422	CABLE HARNESS
0340001	DISK
0337001	HEXAGON NUT M5
* 0108041	TEMPERATURE PROBE
0108024	CONDUCTIVE PASTE
8103636	FIXATION ANGLE
8103631	BOILER
0408229	PACKING
ELEMENT	SEE ELECTRIC WIRING DIAGRAM
0340020	DISK
0337001	HEXAGON NUT M5
0162104	COUNTERNUT

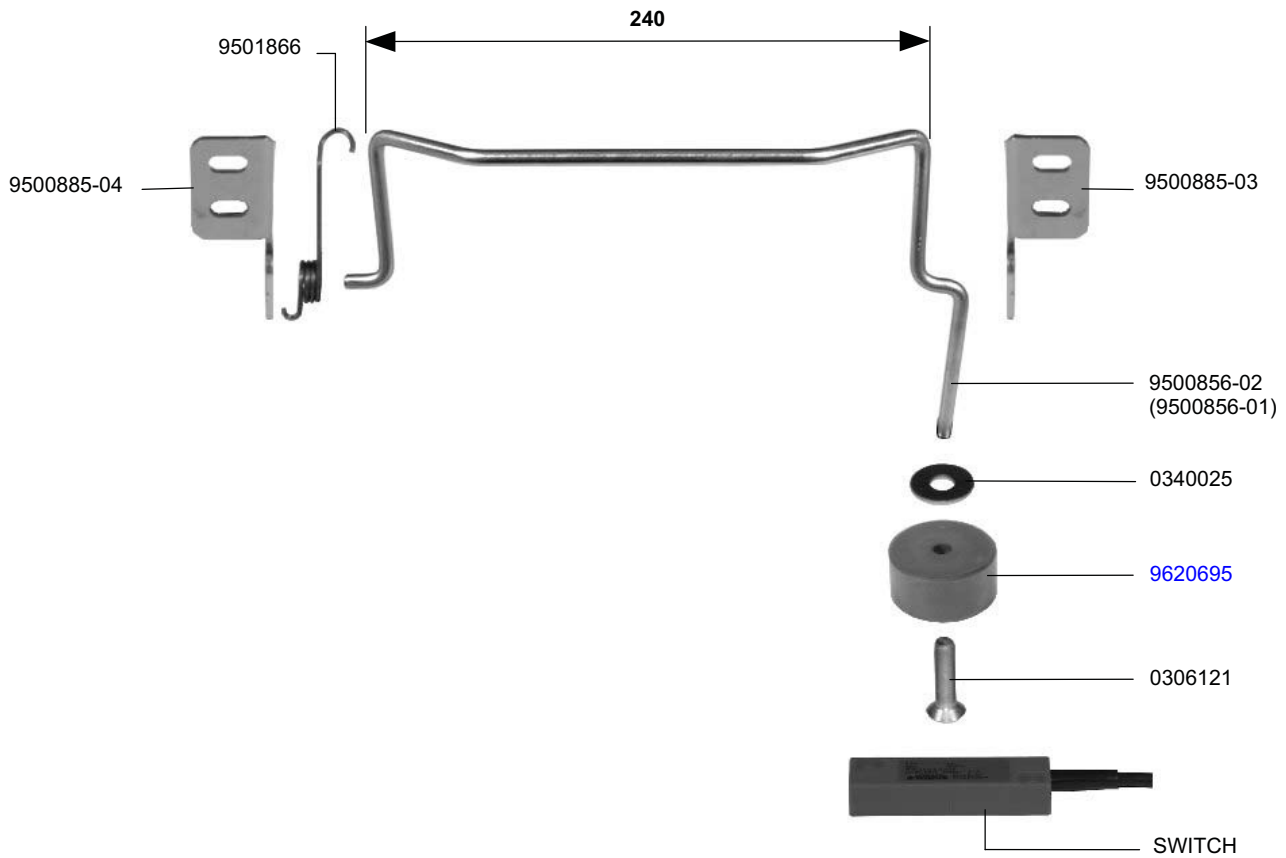
10.1.4 DRYING-HEATING REGISTER



10.1.4 DRYING-HEATING REGISTER

PART NO.	DESCRIPTION
8000963	FIXATION
0342020	TOOTH LOCK WASHER
0335008	NUT M5
*9500473	TEMPERATURE PROBE
0330025	NUT
0330020	SCREW 4.2X13
8100063	CLADDING
8100064	HEATING REGISTER HOUSING
0162102	COUNTERNUT
0162003	SCREWING
0330029	CLAMP
0153003	CONNECTING TERMINAL
0330031	SCREW 2.9X22
8100065	COVER
0341005	SPRING RING
ELEMENT	SEE ELECTRIC WIRING DIAGRAM

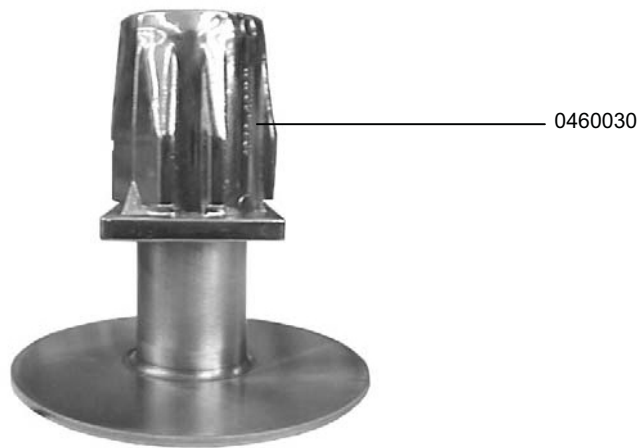
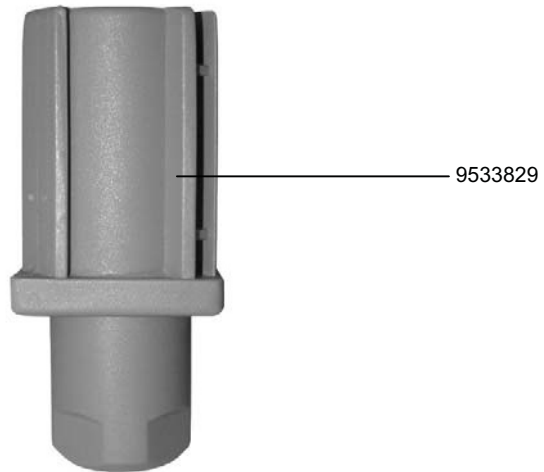
11 INTERVAL SWITCH



PART NO.	DESCRIPTION
----------	-------------

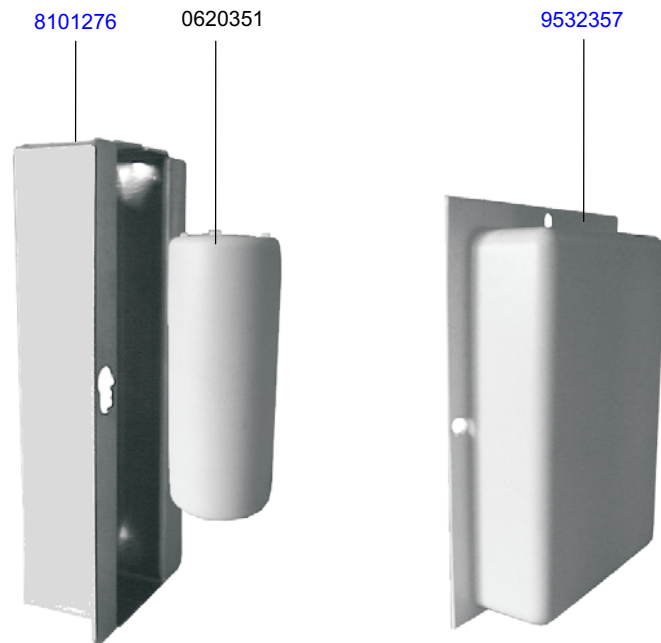
SWITCH	SEE ELECTRIC WIRING DIAGRAM
0306121	FLAT HEAD SCREW M5X20
9620695	RING MAGNET
0340025	SUPPORT DISK
9500856-01	SLIDER SWITCH L-R (NOT DISPLAYED)
9500856-02	SLIDER SWITCH R-L
9500885-03	BEARING ANGLE
9500885-04	BEARING ANGLE
* 9501866	TENSION SPRING

15.1.2 FEET OF MACHINE



PART NO.	DESCRIPTION
9533829	TABLE FEET CPL.
0460030	STANDING FEET CAMLOCK

15.1.4 FLOATING SWITCH



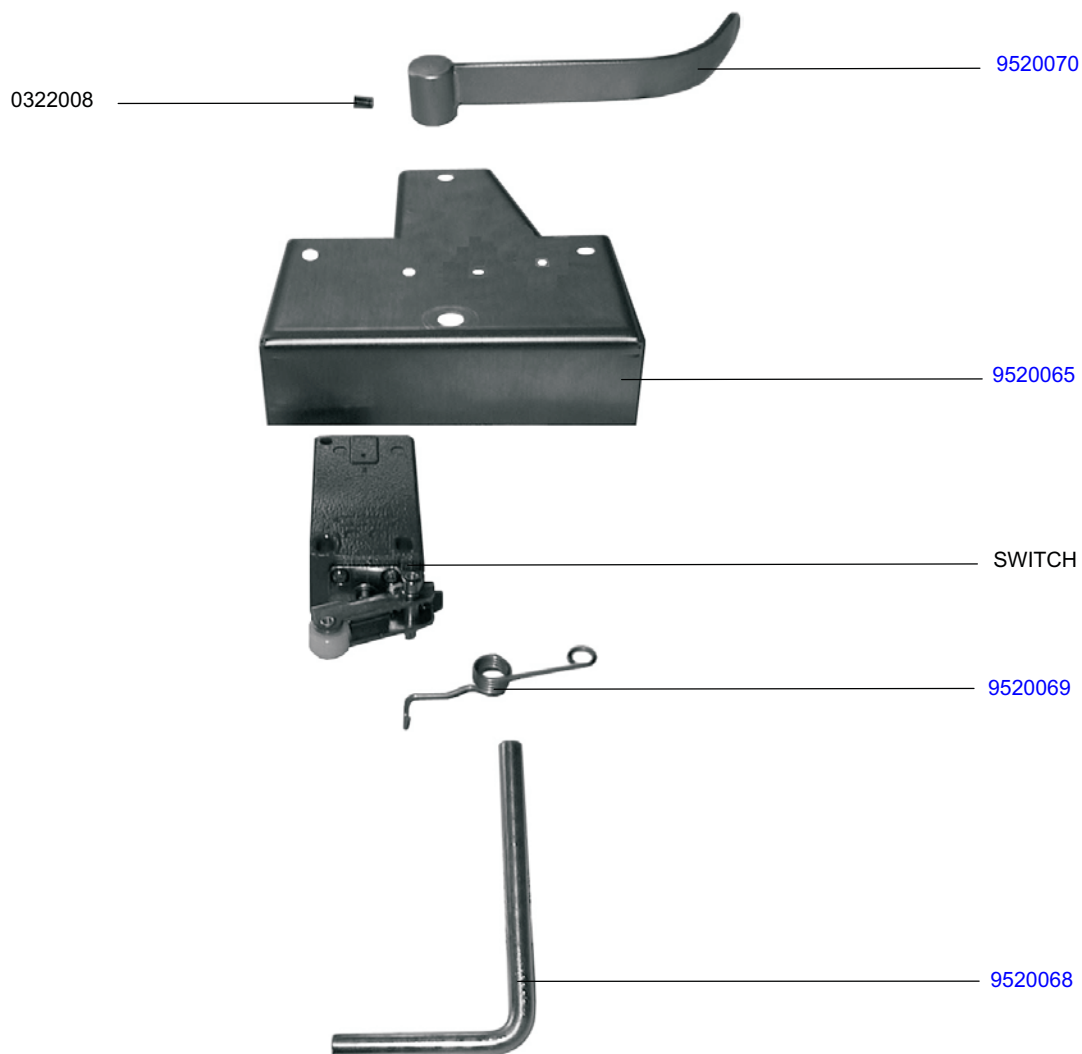
PART NO.	DESCRIPTION
----------	-------------

9532357 COVER

* 0620351 FLOAT PLASTIC

8101276 FLOAT GUIDE

15.1.5 TABLE END SWITCH



PART NO.	DESCRIPTION
9520068	ACTUATING LEVER
9520069	SPRING
SWITCH	SEE ELECTRIC WIRING DIAGRAM
9520065	BASE PLATE
9520070	ACTUATING LEVER
0322008	SET SCREW M6X8