

Visual Holding Cabinet

(MHA, MHD, MHG, MHL, MHS, MHT)

Parts Manual

This manual is updated as new information and models are released. Visit our website for the latest manual.



8 1 9 7 9 3 7

Part Number: MER_P_8197937 03/2023

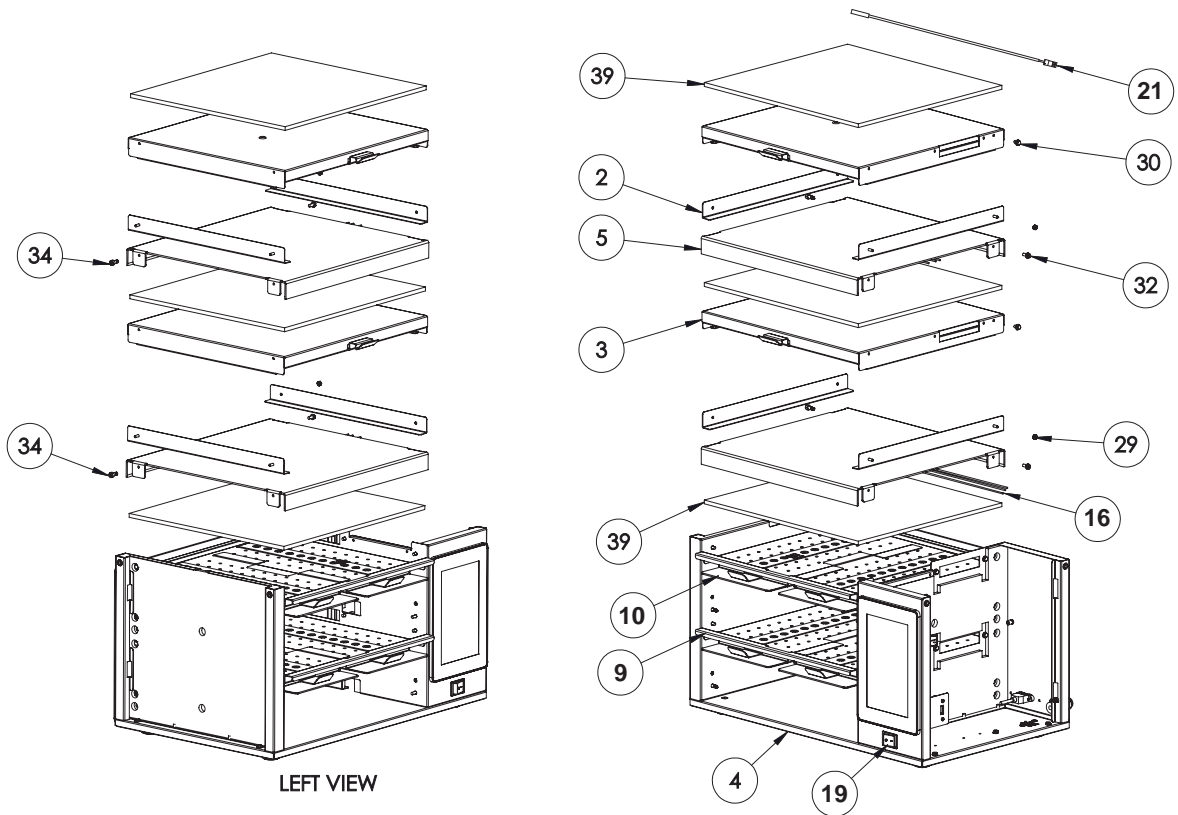
NOTICE

IF, DURING THE WARRANTY PERIOD, THE CUSTOMER USES A PART FOR THIS WELBILT EQUIPMENT OTHER THAN AN UNMODIFIED NEW OR RECYCLED PART PURCHASED DIRECTLY FROM MERCO, OR ANY OF ITS FACTORY AUTHORIZED SERVICERS, AND/OR THE PART BEING USED IS MODIFIED FROM ITS ORIGINAL CONFIGURATION, THIS WARRANTY WILL BE VOID. FURTHER, MERCO AND ITS AFFILIATES WILL NOT BE LIABLE FOR ANY CLAIMS, DAMAGES OR EXPENSES INCURRED BY THE CUSTOMER WHICH ARISE DIRECTLY OR INDIRECTLY, IN WHOLE OR IN PART, DUE TO THE INSTALLATION OF ANY MODIFIED PART AND/OR PART RECEIVED FROM AN UNAUTHORIZED SERVICER.

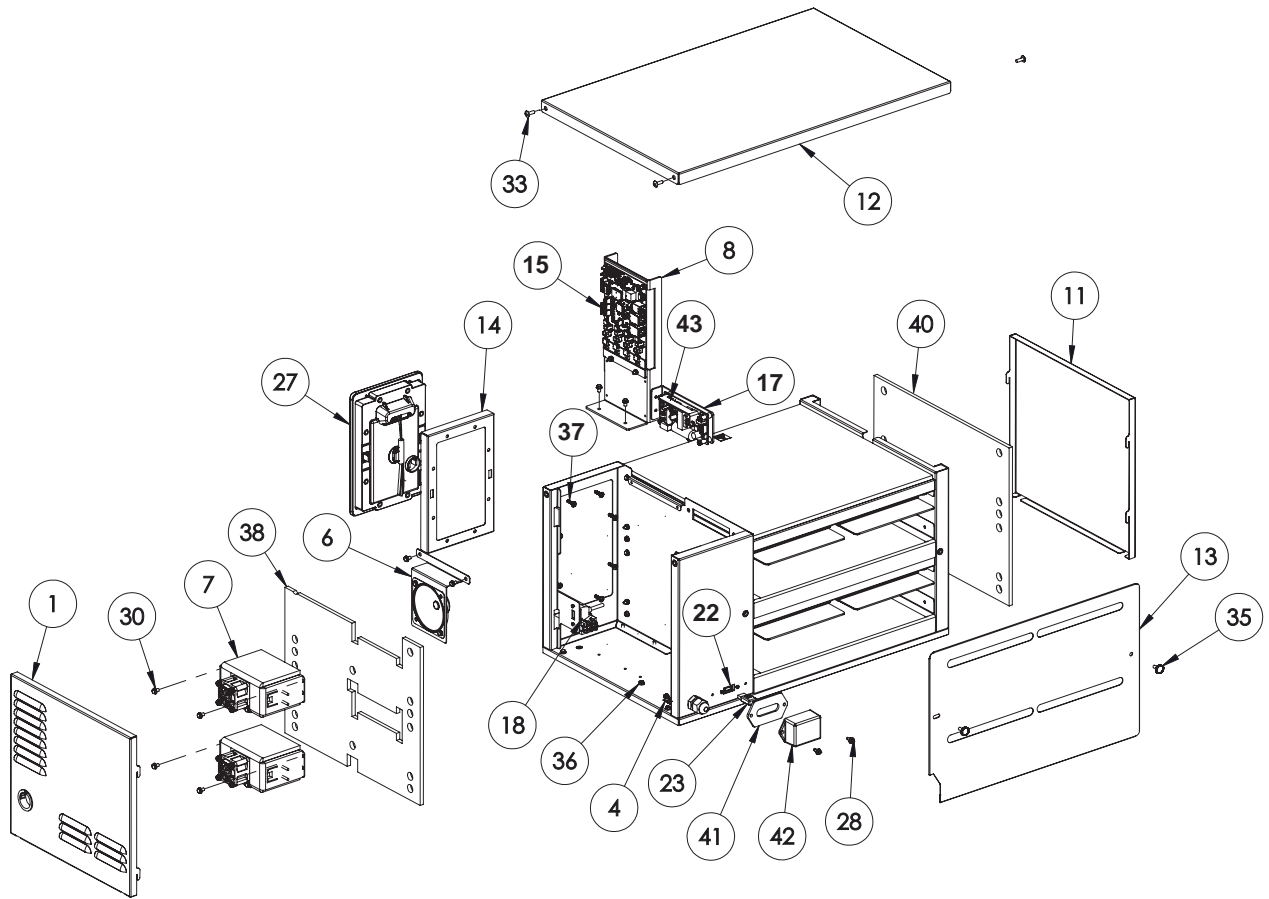
Table of Contents

MHG-2x2 Single Components (with fans)	2
MHG-2x2 Double Components (with fans).....	4
MHS-2x2 Single Components (with fans).....	6
MHG-2x3 Double Landscape Components (with fans)	8
MHL-2x4 Single Landscape Components (without fans)	10
MHG-3x2 Single Components (with fans)	12
MHG-3x2 Double Components (with fans).....	14
MHD-3x2 Single Components (without fans)	16
MHD-3x2 Double Components (without fans).....	18
MHA-3x2 Single Landscape Components (without fans).....	20
MHA-3x2 Double Landscape Components (without fans).....	22
MHG-4x2 Single Components (with fans)	24
MHG-4x2 Double Components (with fans).....	26
MHD-4x2 Double Landscape Components (without fans)	28
MHG-4x2 Single Landscape Components (without fans)	30
MHD-8x2 Single Components (without fans)	32

MHG-2x2 Single Components



LEFT VIEW

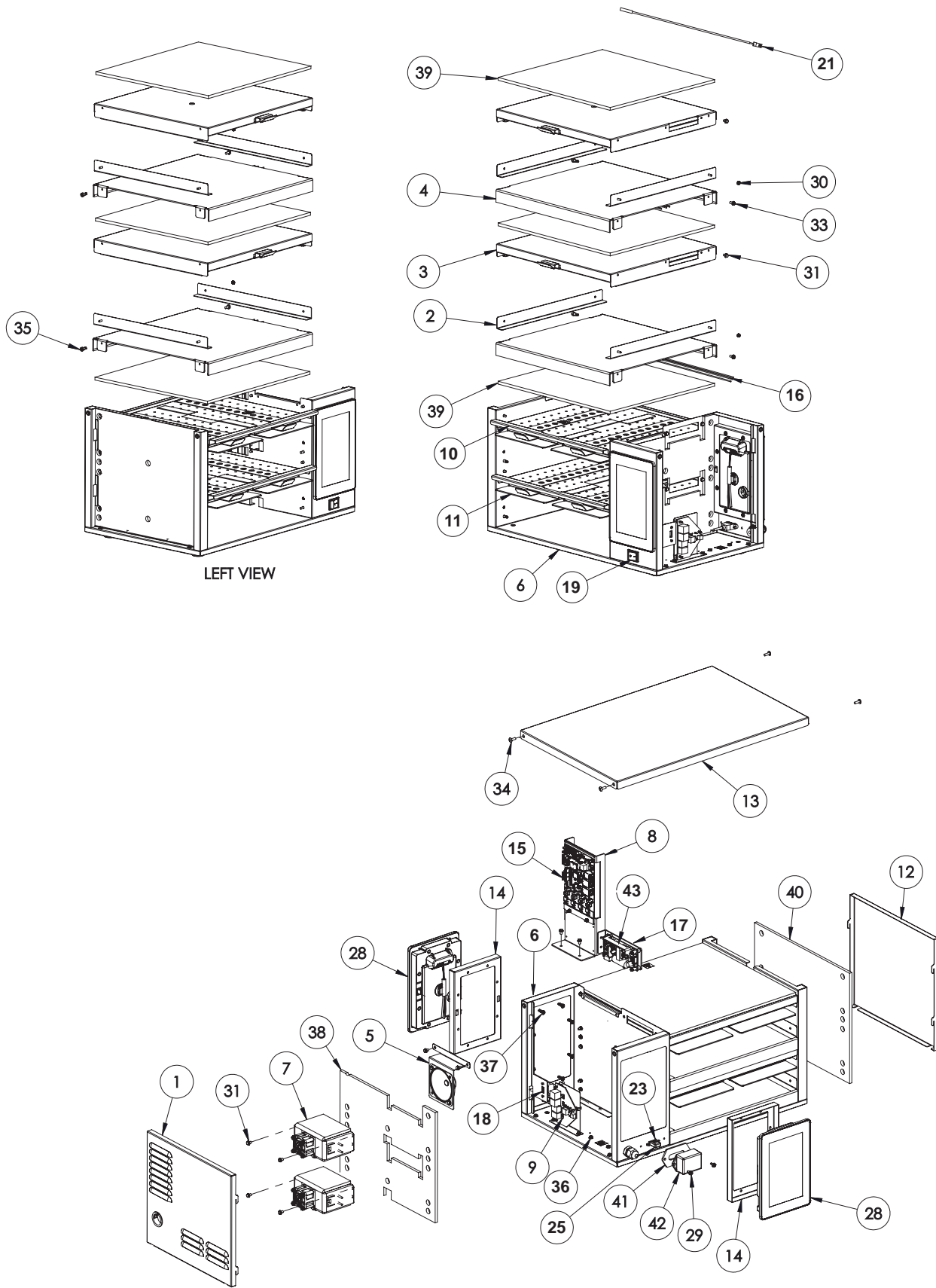


MHG-2x2 Single Components

	ITEM	PART NUMBER	DESCRIPTION	NOTE
	1	1087289	PANEL ASSY, 2 HIGH RH END	
	2	1087291	HOLDOWN ASSY, SHELF SUPPORT	
	3	1087304	AIR ASSY, 2-WIDE PLENUM	
	4	1087484	BASE W/ TOWERS, 2x2 GM-VHC	
	5	1087510	SHELF ASSY, 120V-200W 2-WIDE	
	6	8075829	SPEAKER, 4 OHM	
√	7	1088215SP	AIR HEATER ASSY, 120V-450W 8CFM	
	8	1087272	BRACKET ASSY, MOUNT SINGLE W/STUDS I/O BOARD W/O SUI	
	9	8239275	DIFFUSER W/A, 2 WIDE AIR	
	10	8242410	COVER W/LDMNT, TRAY MHC	
	11	2601818	PANEL, SIDE LH 2-HIGH WITHOUT LOUVER	
	12	2601829	PANEL, TOP 2-WIDE_VHC	
	13	2602238	PANEL, 2X2 REAR DEFLECTOR	
	14	2602369	BRACKET, ULTRATONIX UI	
√	15	8076471	I/O BOARD, MERCO EASYTOUCH	
	16	8076171	HEATER PAD, 120V, 200W	
	17	1087269	BRACKET ASS'Y, MOUNT W/STUDS POWER SUPPLY	
	18	8076010	CABLE, USB PANEL MOUNT FEMALE 10"	
√	19	8076023	SWITCH, POWER DPST 16AMP	
*	20	8076080	HARNESS, AC POWER 2X2	
	21	8076102	PROBE, MHCFA SINGLE	
	22	8076172	CABLE, USB PANEL MOUNT FEMALE 42"	
	23	8076226	DONGLE, MHC WIFI LM808	
*	24	8076328	CABLE, COMM CROSSOVER NO DC 25" (RJ45 to RJ12)	
*	25	8076353	HARNESS MHG,DC POWER 2X2	
*	26	8076363	CORD, NEMA 5-15P, 14/3 MHG	
√	27	8263671	KIT, UX UI	
	28	8090105	SCREW, 8-32 X 3/8 HX WSHR SL ZP	
	29	8090250	NUT, 6-32 HX ZP KEPS	
	30	8090359	SCREW, #8 X 1/4 HX WASHER SL HD ZP	
*	31	8090454	NUT, 1/2 N.P.T. LOCKING	
	32	8090518	SCREW, 8-32X3/8 HX WSHR SL HD SS	
	33	8091128	SCREW, 8-32 X 1/2" TR HD PHIL S/S	
	34	8091228	SCREW, 8-32 .187 X .250 SHOULDER	
	35	8091240	SCREW,8-32 .63X.38 SHOULDER	
	36	8091248	SCREW, ELECTRICAL GROUNDING 8-32 X 3/8	
	37	8091253	SCREW, M4 x .7 x 14mm	
	38	8161109	INSULATION, TOWER 2-HIGH MHC	
	39	8161115	INSULATION, SHELF 2 WIDE	
	40	8161119	INSULATION, THIN TOWER 2-HIGH MHC	
	41	8161152	GASKET, MERCO WIFI COVER	
	42	8161157	COVER, MERCO WIFI	
√	43	8076001	POWER SUPPLY, 12VDC 30W MHC	

√ Recommended Parts * Not Shown

MHG-2x2 Double Components

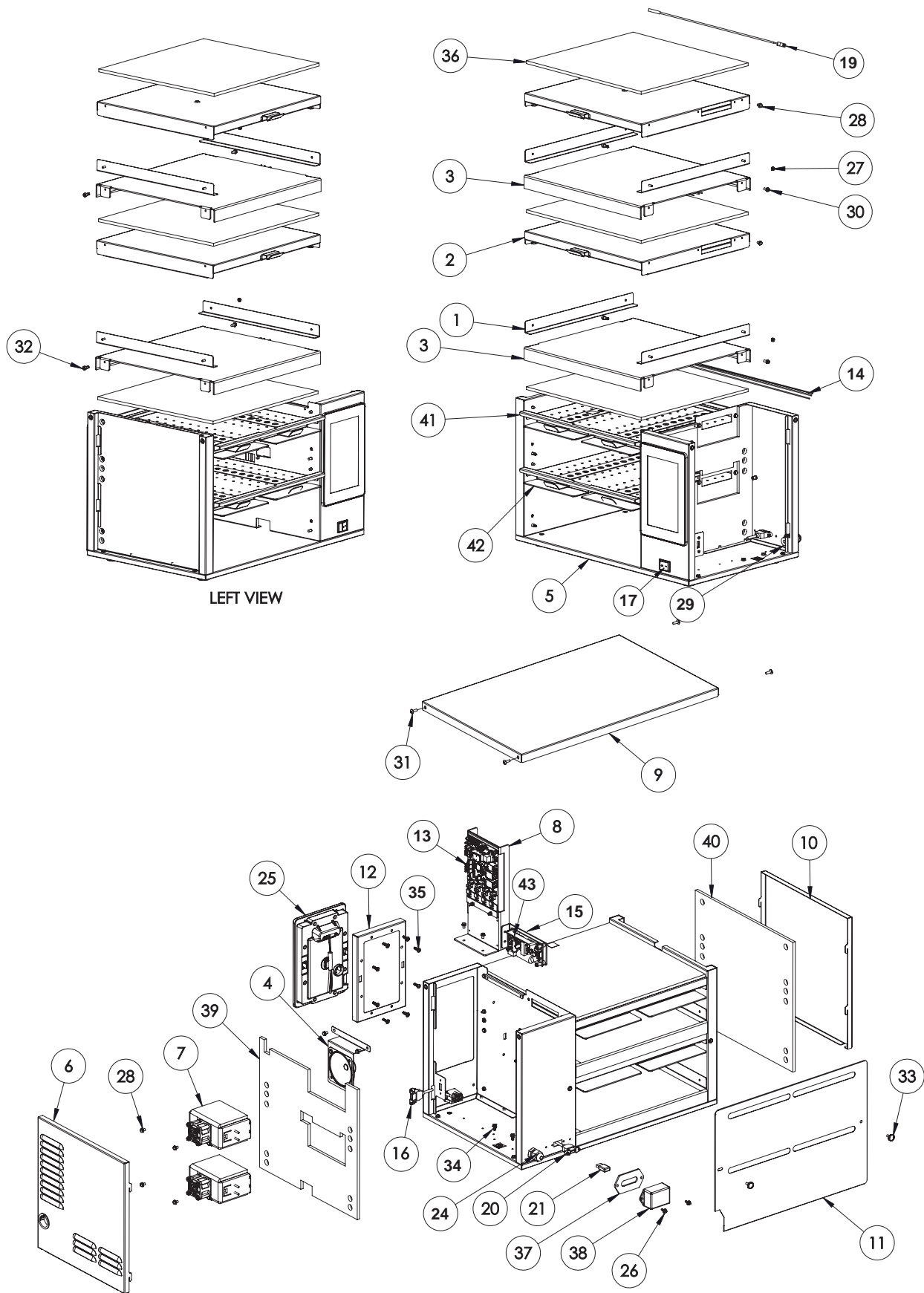


MHG-2x2 Double Components

ITEM	PART NUMBER	DESCRIPTION	NOTE
1	1087289	PANEL ASSY, 2 HIGH RH END	
2	1087291	HOLDOWN ASSY, SHELF SUPPORT	
3	1087304	AIR ASSY, 2-WIDE PLENUM	
4	1087510	SHELF ASSY, 120V-200W 2-WIDE	
5	8075829	SPEAKER, 4 OHM	
6	1087540	BASE W/TOWERS,2x2GM-VHC,2-DISP	
√	1088215SP	AIR HEATER ASSY, 120V-450W 8CFM	
8	1087272	BRACKET ASS'Y, MOUNT SINGLE W/STUDS I/O BOARD W/O SUI	
9	8076212	BOARD, MHC POWER & COMM	
10	8239275	DIFFUSER W/A, 2 WIDE AIR	
11	8242410	COVER W/LDMNT, TRAY MHC	
12	2601818	PANEL, SIDE LH 2-HIGH WITHOUT LOUVER	
13	2601829	PANEL, TOP 2-WIDE_VHC	
14	2602369	BRACKET, ULTRATONIX UI	
√	8076471	I/O BOARD, MERC0 EASYTOUCH	
16	8076171	HEATER PAD, 120V, 200W	
17	1087269	BRACKET ASS'Y, MOUNT W/STUDS POWER SUPPLY	
18	8076010	CABLE, USB PANEL MOUNT FEMALE 10"	
√	8076023	SWITCH, POWER DPST 16AMP	
*	8076080	HARNESS, AC POWER 2X2	
21	8076102	PROBE, MHCFA SINGLE	
*	8076143	HARNESS, DC POWER 4X2, 3X2 MHG-VHC	
23	8076172	CABLE, USB PANEL MOUNT FEMALE 42"	
*	8076181	UI TO UI CANBUS 18" CFA	
25	8076226	DONGLE, MHC WIFI LM808	
*	8076328	CABLE, COMM CROSSOVER NO DC 25" (RJ45 to RJ12)	
*	8076363	CORD, NEMA 5-15P, 14/3 MHG	
√	8263671	KIT, UX UI	
29	8090105	SCREW, 8-32 X 3/8 HX WSHR SL ZP	
30	8090250	NUT, 6-32 HX ZP KEPS	
31	8090359	SCREW, #8 X 1/4 HX WASHER SL HD ZP	
*	8090454	NUT, 1/2 N.P.T. LOCKING	
33	8090518	SCREW, 8-32X3/8 HX WSHR SL HD SS	
34	8091128	SCREW, 8-32 X 1/2" TR HD PHIL S/S	
35	8091228	SCREW, 8-32 .187 X .250 SHOULDER	
36	8091248	SCREW, ELECTRICAL GROUNDING 8-32 X 3/8	
37	8091260	SCREW, 8-32 X 9/16 PHIL HD SS	
38	8161109	INSULATION, TOWER 2-HIGH MHC	
39	8161115	INSULATION, SHELF 2 WIDE	
40	8161119	INSULATION, THIN TOWER 2-HIGH MHC	
41	8161152	GASKET, MERC0 WIFI COVER	
42	8161157	COVER, MERC0 WIFI	
√	8076001	POWER SUPPLY, 12VDC 30W MHC	

√ Recommended Parts * Not Shown

MHS-2x2 Single Components

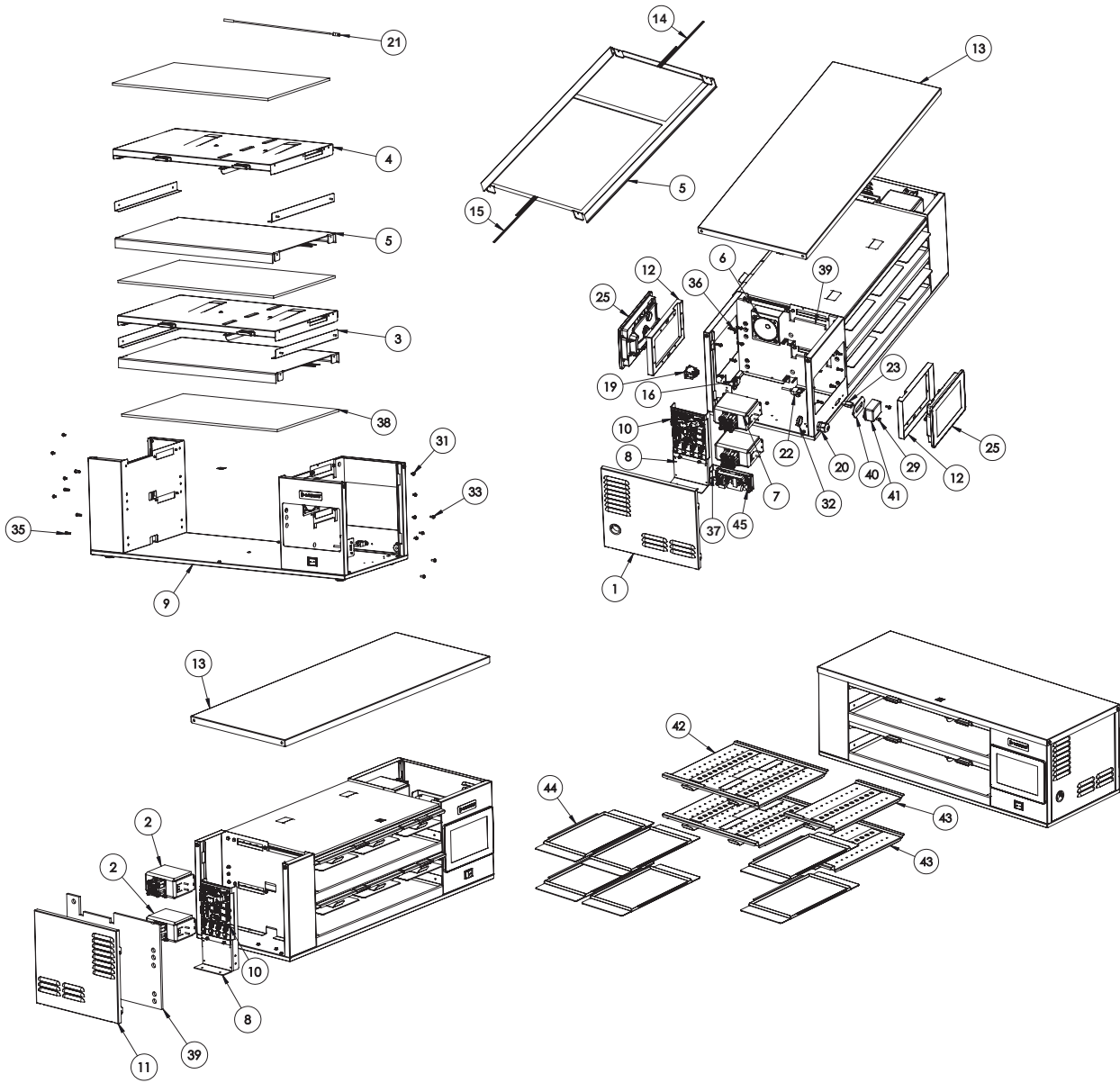


MHS-2x2 Single Components

ITEM	PART NUMBER	DESCRIPTION	NOTE
1	1087291	HOLDOWN ASSY, SHELF SUPPORT	
2	1087304	AIR ASSY, 2-WIDE PLENUM	
3	1087510	SHELF ASSY, 120V-200W 2-WIDE	
4	8075829	SPEAKER, 4 OHM	
5	1088213	BASE W/ TOWERS, 2x2 GM-VHC	
6	1088214	PANEL ASSY, SIDE RH 2 HIGH MHS	
√	1088215SP	AIR HEATER ASSY, 120V-450W 8CFM	
8	1087272	BRACKET ASS'Y, MOUNT SINGLE W/STUDS I/O BOARD W/O SUI	
9	2601829	PANEL, TOP 2-WIDE_VHC	
10	2602234	PANEL, SIDE LEFT 2-HIGH MHS	
11	2602363	PANEL, 2X2 REAR DEFLECTOR	
12	2602369	BRACKET, ULTRATONIX UI	
√	8076471	I/O BOARD, MERCO EASYTOUCH	
√	8076171	HEATER PAD, 120V, 200W	
15	1087269	BRACKET ASS'Y, MOUNT W/STUDS POWER SUPPLY	
16	8076010	CABLE, USB PANEL MOUNT FEMALE 10"	
√	8076023	SWITCH, POWER DPST 16AMP	
*	8076080	HARNESS, AC POWER 2X2	
19	8076102	PROBE, MHCFA SINGLE	
20	8076172	CABLE, USB PANEL MOUNT FEMALE 42"	
21	8076226	DONGLE, MHC WIFI LM808	
*	8076328	CABLE, COMM CROSSOVER NO DC 25" (RJ45 to RJ12)	
*	8076353	HARNESS MHG,DC POWER 2X2	
24	8076363	CORD, NEMA 5-15P, 14/3 MHG	
25	8263671	KIT, UX UI	
26	8090105	SCREW, 8-32 X 3/8 HX WSHR SL ZP	
27	8090250	NUT, 6-32 HX ZP KEPS	
28	8090359	SCREW, #8 X 1/4 HX WASHER SL HD ZP	
29	8090454	NUT, 1/2 N.P.T. LOCKING	
30	8090518	SCREW, 8-32X3/8 HX WSHR SL HD SS	
31	8091128	SCREW, 8-32 X 1/2" TR HD PHIL S/S	
32	8091228	SCREW, 8-32 .187 X .250 SHOULDER	
33	8091240	SCREW,8-32 .63X.38 SHOULDER	
34	8091248	SCREW, ELECTRICAL GROUNDING 8-32 X 3/8	
35	8091253	SCREW, M4 x .7 x 14mm	
36	8161115	INSULATION, SHELF 2 WIDE	
37	8161152	GASKET, MERCO WIFI COVER	
38	8161157	COVER, MERCO WIFI	
39	8161190	INSULATION, RH-TOWER 2X2 MHS	
40	8161191	INSULATION, LH-TOWER 2X2 MHS	
41	8239555	AIR DIFFUSER ASSY, MHS	
42	8242410	COVER WLDMNT, TRAY MHC	
√	8076001	POWER SUPPLY, 12VDC 30W MHC	

√ Recommended Parts * Not Shown

MHG-2x3 Double Landscape Components

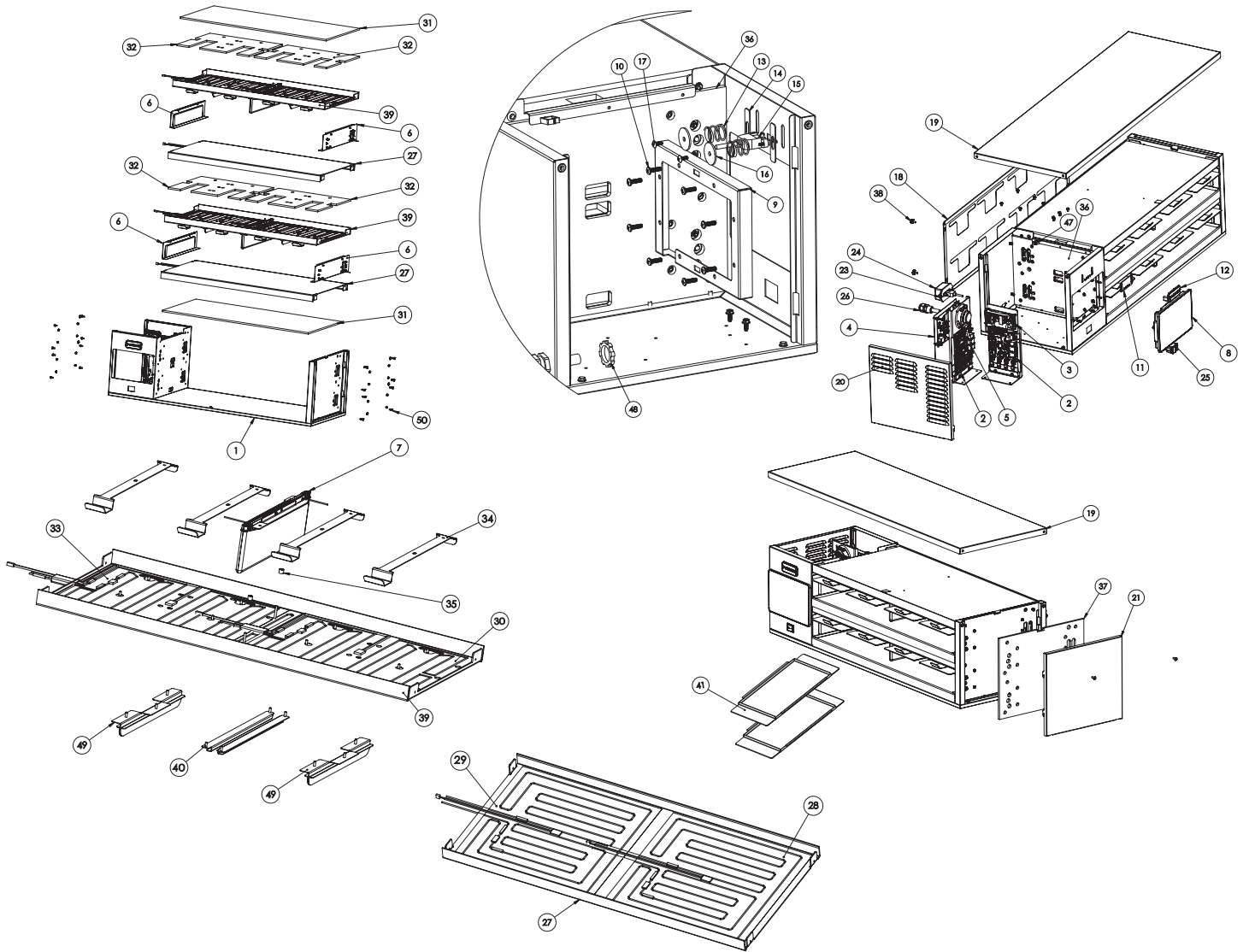


MHG-2x3 Double Landscape Components

ITEM	PART NUMBER	DESCRIPTION	NOTE	
	1	1087289	PANEL ASSY, 2 HIGH RH END	
	2	1087290	AIR HEATER ASSY, 230V 450W	
	3	1087291	HOLDOWN ASSY, SHELF SUPPORT	
	4	1087299	AIR ASSY, 3 WIDE PLENUM	
	5	1087323	SHELF ASSY, BK 3 WIDE HEATER	
	6	8075829	SPEAKER, 4 OHM	
√	7	1088663SP	AIR HEATER ASSY, 230V-450W 8CFM	
	8	1087272	BRACKET ASS'Y, MOUNT SINGLE W/STUDS I/O BOARD W/O SUI	
	9	1088958	FRAME ASSY, 2X3 SAT	
√	10	8076471	I/O BOARD, MERCO EASYTOUCH	
	11	2601677	PANEL, SIDE LH 2 HIGH	
	12	2602369	BRACKET, ULTRATONIX UI	
	13	2602612	PANEL, TOP 2X3 SAT	
√	14	8076098	HEATER PAD, 230V, 100W	
√	15	8076099	HEATER PAD, 230V, 200W	
	16	8076010	CABLE, USB PANEL MOUNT FEMALE 10"	
*	17	8076013	HARNESS, AC POWER 2X4 & 2X3	
*	18	8076017	COMM CABLE, IO TO IO - LONG 60" RJ45 BOTH ENDS	
√	19	8076023	SWITCH, POWER DPST 16AMP	
	20	8076026	CORD, NEMA 6-20P 12/3	
	21	8076102	PROBE, MHCFA SINGLE	
	22	8076172	CABLE, USB PANEL MOUNT FEMALE	
	23	8076226	DONGLE, MHC WIFI LM808	
*	24	8076328	CABLE, COMM CROSSOVER NO DC 25" (RJ45 to RJ12)	
	25	8263671	KIT, UX UI	
*	26	8076485	CABLE - JUMPER SPEAKER TO UX UI	
*	27	8076539	HARNESS, DC POWER 2X4 & 2X3 TOUCH	
*	28	8076540	CABLE, COMM CROSSOVER, NO DC 60" (LONG) (RJ45 to RJ12)	
	29	8090105	SCREW, 8-32 X 3/8 HX WSHR SL ZP	
*	30	8090250	NUT, 6-32 HX ZP KEPS	
	31	8090359	SCREW, #8 X 1/4 HX WASHER SL HD ZP	
	32	8090454	NUT, LOCKING	
	33	8090518	SCREW, 8-32X3/8 HX WSHR SL HD SS	
*	34	8091128	SCREW, 8-32 X 1/2" TR HD PHIL S/S	
	35	8091228	SCREW, 8-32 .187 X .250 SHOULDER	
	36	8091260	SCREW, 8-32 X 9/16 PHIL HD SS	
	37	1087269	BRACKET ASS'Y, MOUNT W/STUDS POWER SUPPLY	
	38	8161106	INSULATION, SHELF 3 WIDE	
	39	8161109	INSULATION, TOWER 2-HIGH MHC	
	40	8161152	GASKET, MERCO WIFI COVER	
	41	8161157	COVER, MERCO WIFI	
	42	8239275	DIFFUSER W/A, 2 WIDE AIR	
	43	8239283	DIFFUSER W/A, SINGLE AIR	
	44	8242410	COVER W/LDMNT, TRAY MHC	
√	45	8076001	POWER SUPPLY, 12VDC 30W MHC	

√ Recommended Parts * Not Shown

MHL-2x4 Single Landscape Components

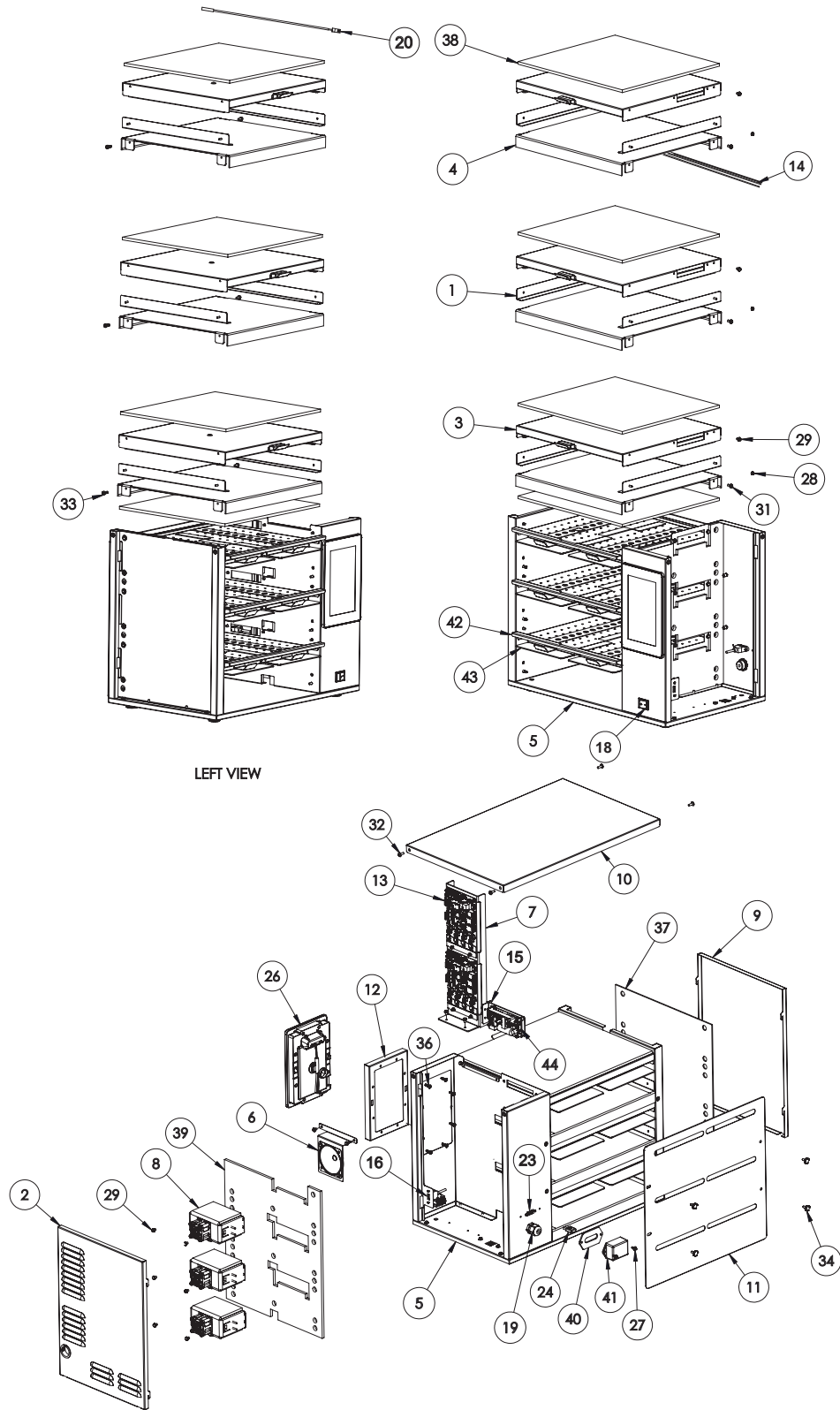


MHL-2x4 Single Landscape Components

ITEM	PART NUMBER	DESCRIPTION	NOTE	
	1	1089131	FRAME ASSY	
√	2	8076514	I/O BOARD, MERCO MHA/MHD	
√	3	8076001	POWER SUPPLY, 12VDC 30W MHC	
√	4	8076208	BOARD, RFID READER	
	5	8075829	SPEAKER, 4 OHM	
	6	8076371	ANTENNA, MHC SIDE GND	
	7	8076334	ANTENNA, MHC CENTER GND	
	8	8263671	UI, ULTRATRONIX KIT	
	9	2602369	BRACKET, ULTRATONIX UI	
	10	8091260	SCREW, 8-32 X 9/16 PHIL HD SS	
	11	8161155	TEFLON, EMBLEM BACK PLATE USB	
	12	8104884	EMBLEM, MERCO DIE-CAST	
	13	8104885	SPRING, COM .72 X .055 X .750	
	14	2602055	SLIDE PLATE, MERCO EMBLEM	
	15	8076172	CABLE, USB PANEL MOUNT FEMALE	
	16	8104886	WASHER, S/S 1"OD X W/ .188 HOLE	
	17	8091222	SCREW, 6-32 X 3/8 PHIL TR HD ZP	
	18	2602705	BACK PANEL, 2X4	
	19	2602706	TOP PANEL, 2X4	
	20	2601677	PANEL, SIDE LH 2 HIGH	
	21	2601818	PANEL, SIDE LH 2-HIGH WITHOUT LOUVER	
	22	8076226	DONGLE, MHC WIFI LM808	
	23	8161152	GASKET, MERCO WIFI COVER	
	24	8161157	COVER, DONGLE	
√	25	8076023	SWITCH, POWER DPST 16AMP	
	26	8076062	CORD, NEMA 5-20P, 12/3	
	27	1089147	SHELF ASSY, LOWER 120V 200W	
√	28	130020760	HEATER PAD, MHW 2X4, 120V-200W	
√	29	8076237	HEATER PAD, MHW 3X2, 120V-200W	
√	30	8076568	HEATER PAD, MHG LONG 120V-200W	
	31	8161105	INSULATION, SHELF 4 WIDE	
	32	8161177	INSULATION SHELF 2WIDE NON AIR	
√	33	8076343	HEATER PAD, 120V-200W	
	34	2602178	LATCH, TRAY NON FORCE AIR MHG	
	35	8101884	SPACER, ALUMINUM .312 X .275	
	36	8161247	INSULATION, TOWER LH	
	37	8161248	INSULATION, TOWER RH	
	38	8091240	SCREW, 8-32 .63X.38 SHOULDER	
	39	1089142	SHELF ASSY, UPPER 120V 200W	
	40	1089138	RAIL ASSY, TRAY	
	41	8242410	COVER WLDMNT, TRAY MHC	
*	42	8076485	CABLE, JUMPER SPEAKER TO UX UI	
*	43	8076328	CABLE, COMM CROSSOVER NO DC 25" (RJ45 to RJ12)	
*	44	8076011	CABLE, SUI TO ETHERNET	
*	45	8076143	HARNESS, DC POWER 4X2, 3X2 MHG-VHC	
*	46	130014194	MHL 2x4 AC HARNESS	
	47	8161228	WIRE SADDLE 0.438"L X 0.330"H	
	48	8090454	NUT, 1/2" CONDUIT NUT	
	49	8239521	DIVIDER ASSY, TRAY SEAL MHG	
	50	8091228	SCREW, 8-32 .187 X .250 SHOULDER	

√ Recommended Parts * Not Shown

MHG-3x2 Single Components

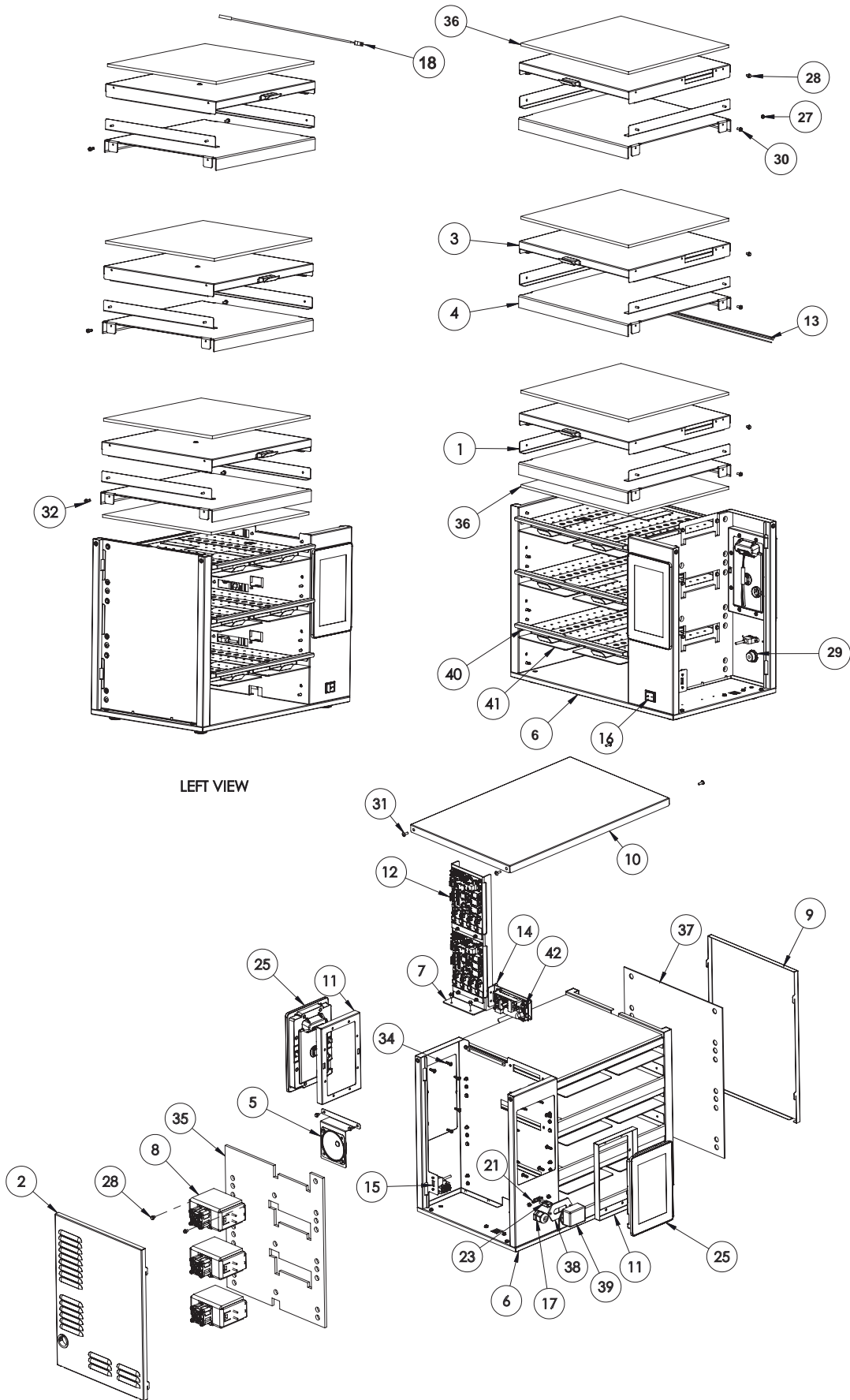


MHG-3x2 Single Components

ITEM	PART NUMBER	DESCRIPTION	NOTE
1	1087291	HOLDOWN ASSY, SHELF SUPPORT	
2	1087301	PANEL ASSY, END 3-HIGH RH	
3	1087304	AIR ASSY, 2-WIDE PLENUM	
4	1087451	SHELF ASSY, 230V-200W 2-WIDE	
5	1087483	BASE W/ TOWERS, 3x2 GM-VHC	
6	8075829	SPEAKER, 4 OHM	
7	1087433	BRACKET ASSY, DOUBLE I/O BOARD MNT W/STUDS	
√	1088663SP	AIR HEATER ASSY, 230V-450W 8CFM	
9	2601814	PANEL, SIDE LH 3 HIGH W/O LOUVER	
10	2601829	PANEL, TOP 2-WIDE_VHC	
11	2602171	BACK, PANEL MHG 3X2	
12	2602369	BRACKET, ULTRATONIX UI	
√	8076471	I/O BOARD, MERCO EASYTOUCH	
√	8076099	HEATER PAD, 230V, 200W	
15	1087269	BRACKET ASS'Y, MOUNT W/STUDS POWER SUPPLY	
16	8076010	CABLE, USB PANEL MOUNT FEMALE 10"	
*	8076011	CABLE, SUI TO ETHERNET	
√	8076023	SWITCH, POWER DPST 16AMP	
19	8076026	CORD, NEMA 6-20P 12/3	
√	8076102	PROBE, MHCFA SINGLE	
*	8076143	HARNESS, DC POWER 4X2, 3X2 MHG-VHC	
*	8076145	HARNESS, AC POWER 3X2	
23	8076172	CABLE, USB PANEL MOUNT FEMALE 42"	
24	8076226	DONGLE, MHC WIFI LM808	
*	8076328	CABLE, COMM CROSSOVER NO DC 25" (RJ45 to RJ12)	
√	8263671	KIT, UX UI	
27	8090105	SCREW, 8-32 X 3/8 HX WSHR SL ZP	
28	8090250	NUT, 6-32 HX ZP KEPS	
29	8090359	SCREW, #8 X 1/4 HX WASHER SL HD ZP	
*	8090454	NUT, 1/2 N.P.T. LOCKING	
31	8090518	SCREW, 8-32X3/8 HX WSHR SL HD SS	
32	8091128	SCREW, 8-32 X 1/2" TR HD PHIL S/S	
33	8091228	SCREW, 8-32 .187 X .250 SHOULDER	
34	8091240	SCREW, 8-32 .63X.38 SHOULDER	
*	8091248	SCREW, ELECTRICAL GROUNDING 8-32 X 3/8	
36	8091253	SCREW, M4 x .7 x 14mm	
37	8161114	INSULATION, TOWER 3-HIGH MHC	
38	8161115	INSULATION, SHELF 2 WIDE	
39	8161128	INSULATION, TOWER LH 3-HIGH	
40	8161152	GASKET, MERCO WIFI COVER	
41	8161157	COVER, MERCO WIFI	
42	8239275	DIFFUSER W/A, 2 WIDE AIR	
43	8242410	COVER W/LDMNT, TRAY MHC	
√	8076001	POWER SUPPLY, 12VDC 30W MHC	

√ Recommended Parts * Not Shown

MHG-3x2 Double Components

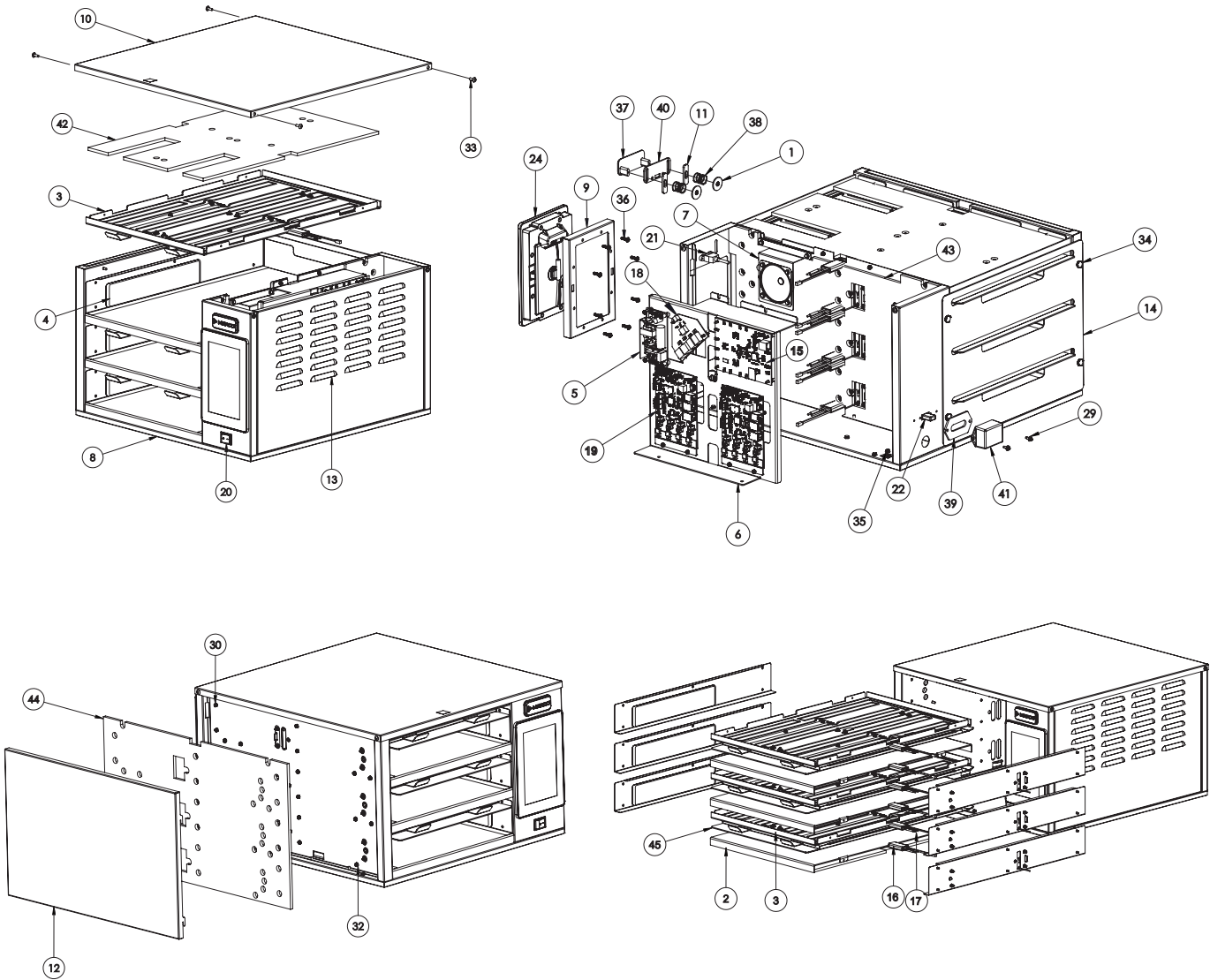


MHG-3x2 Double Components

ITEM	PART NUMBER	DESCRIPTION	NOTE
1	1087291	HOLDOWN ASSY, SHELF SUPPORT	
2	1087301	PANEL ASSY, END 3-HIGH RH	
3	1087304	AIR ASSY, 2-WIDE PLENUM	
4	1087451	SHELF ASSY, 230V-200W 2-WIDE	
5	8075829	SPEAKER, 4 OHM	
6	1087542	BASE W/TOWERS, 3x2 GM-VHC, 2-DISP	
7	1087433	BRACKET ASSY, DOUBLE I/O BOARD MNT W/STUDS	
√	1088663SP	AIR HEATER ASSY, 230V-450W 8CFM	
9	2601814	PANEL, SIDE LH 3 HIGH W/O LOUVER	
10	2601829	PANEL, TOP 2-WIDE_VHC	
11	2602369	BRACKET, ULTRATONIX UI	
√	8076471	I/O BOARD, MERCO EASYTOUCH	
√	8076099	HEATER PAD, 230V, 200W	
14	1087269	BRACKET ASS'Y, MOUNT W/STUDS POWER SUPPLY	
15	8076010	CABLE, USB PANEL MOUNT FEMALE 10"	
√	8076023	SWITCH, POWER DPST 16AMP	
17	8076026	CORD, NEMA 6-20P 12/3	
√	8076102	PROBE, MHCFA SINGLE	
*	8076143	HARNESS, DC POWER 4X2, 3X2 MHG-VHC	
*	8076145	HARNESS, AC POWER 3X2	
21	8076172	CABLE, USB PANEL MOUNT FEMALE 42"	
*	8076181	UI TO UI CANBUS 18" CFA	
23	8076226	DONGLE, MHC WIFI LM808	
*	8076328	CABLE, COMM CROSSOVER NO DC 25" (RJ45 to RJ12)	
√	8263671	KIT, UX UI	
26	8090105	SCREW, 8-32 X 3/8 HX WSHR SL ZP	
27	8090250	NUT, 6-32 HX ZP KEPS	
28	8090359	SCREW, #8 X 1/4 HX WASHER SL HD ZP	
29	8090454	NUT, 1/2 N.P.T. LOCKING	
*	8090518	SCREW, 8-32X3/8 HX WSHR SL HD SS	
31	8091128	SCREW, 8-32 X 1/2" TR HD PHIL S/S	
32	8091228	SCREW, 8-32 .187 X .250 SHOULDER	
*	8091248	SCREW, ELECTRICAL GROUNDING 8-32 X 3/8	
34	8091253	SCREW, M4 x .7 x 14mm	
35	8161114	INSULATION, TOWER 3-HIGH MHC	
36	8161115	INSULATION, SHELF 2 WIDE	
37	8161128	INSULATION, TOWER LH 3-HIGH	
38	8161152	GASKET, MERCO WIFI COVER	
39	8161157	COVER, MERCO WIFI	
40	8239275	DIFFUSER W/A, 2 WIDE AIR	
41	8242410	COVER W/LDMNT, TRAY MHC	
√	8076001	POWER SUPPLY, 12VDC 30W MHC	

√ Recommended Parts * Not Shown

MHD-3x2 Single Components

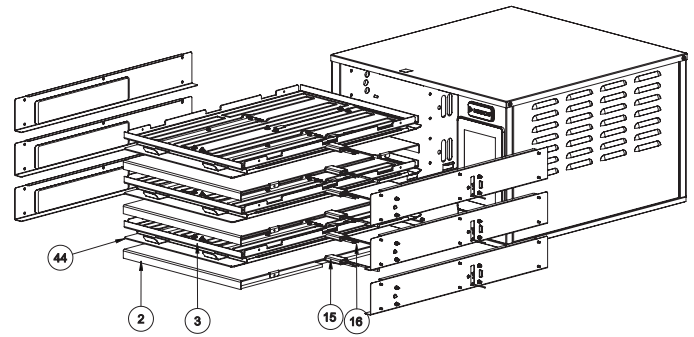
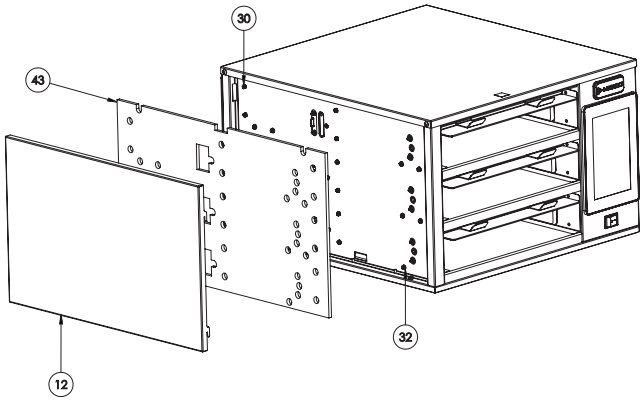
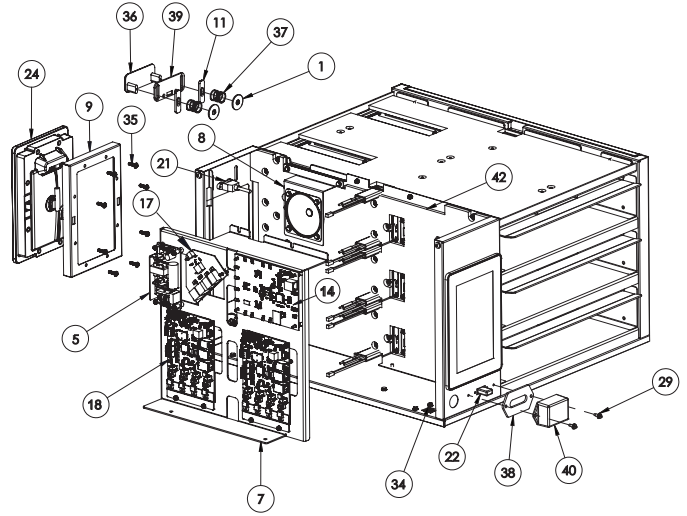
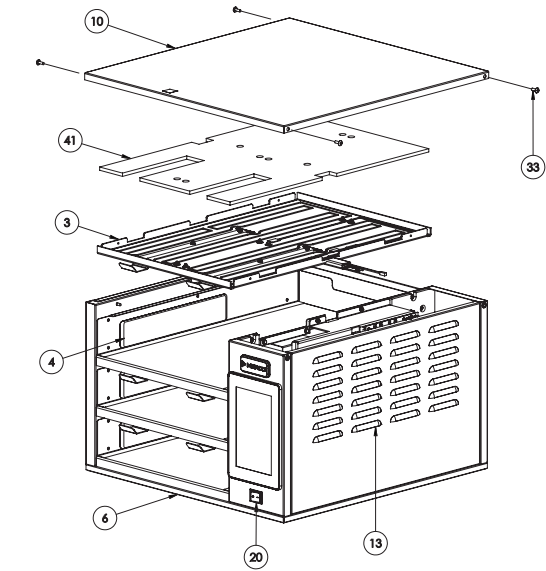


MHD-3x2 Single Components

ITEM	PART NUMBER	DESCRIPTION	NOTE	
	1	1088597	EMBLEM, MERCO WASHER ASSY	
	2	1088672	SHELF ASSY, MHD 2-WIDE LOWER	
	3	1088673	SHELF ASSY, MHD 2-WIDE UPPER	
√	4	8076371	ANTENNA, MHC SIDE GND	
√	5	8076001	POWER SUPPLY, 12VDC 30W MHC	
	6	1088824	ELECTRONICS ASSY, MHD 3-TALL	
	7	8075829	SPEAKER, 4 OHM	
	8	1088926	BASE ASSY, MHD 3-TALL SINGLE	
	9	2602369	BRACKET, ULTRATONIX UI	
	10	2602475	COVER, MHD 2-WIDE TOP	
	11	2602511	SLIDE PLATE, MHA 3X2 EMBLEM	
	12	2602518	PANEL, MHD 3-TALL SOLID	
	13	2602520	PANEL, MHD 3-TALL VENTED	
	14	2602583	PANEL, MHD 3-TALL BACK	
√	15	8076208	BOARD, RFID READER	
√	16	8076459	HEATER PAD, 230V-200W NFA ZOPPS (LOWER)	
√	17	8076461	HEATER PAD, 230V-200W NFA ZOPPS (UPPER)	
√	18	8076212	BOARD, MHC POWER & COMM	
√	19	8076514	BOARD, MERCO MHA/MHD IO	
√	20	8076023	SWITCH, POWER DPST 16AMP	
	21	8076172	CABLE, USB PANEL MOUNT FEMALE 42"	
	22	8076226	DONGLE, MHC WIFI LM808	
	23	8076328	CABLE, COMM CROSSOVER NO DC 25" (RJ45 to RJ12)	
√	24	8263655	KIT, UI, UX, MERCO ARBY'S	
*	25	8076485	CABLE, JUMPER SPEAKER TO UX UI	
*	26	8076508	HARNESS, MHD 3X2 AC POWER	
*	27	8076510	HARNESS, MHD 3X2 DC POWER	
*	28	8076516	CORD, NEMA 6-20P 12/3 MHD	
	29	8090105	SCREW, 8-32 X 3/8 HX WSHR SL ZP	
	30	8090250	NUT, 6-32 HX ZP KEPS	
*	31	8090359	SCREW, #8 X 1/4 HX WASHER SL HD ZP	
	32	8090518	SCRW, 8-32X3/8 HX WSHR SL HD SS	
	33	8091128	SCREW, 8-32 X 1/2" TR HD PHIL S/S	
	34	8091240	SCREW,8-32 .63X.38 SHOULDER	
	35	8091248	SCREW, ELECTRICAL GROUNDING 8-32 X 3/8	
	36	8091260	SCREW, 8-32 X 9/16 PHIL HD SS	
	37	8104884	EMBLEM, MERCO DIE-CAST	
	38	8104885	SPRING, COM .72 X .055 X .750	
	39	8161152	GASKET, MERCO WIFI COVER	
	40	8161155	TEFLON, EMBLEM BACK PLATE USB	
	41	8161157	COVER, MERCO WIFI	
	42	8161217	INSULATION, MHD 2-WIDE SHELF	
	43	8161218	INSULATION, MHD 3-TALL TOWER	
	44	8161220	INSULATION, MHD 3-TALL LEFT	
	45	8239604	TRAY SEAL, MHD	

√ Recommended Parts * Not Shown

MHD-3x2 Double Components

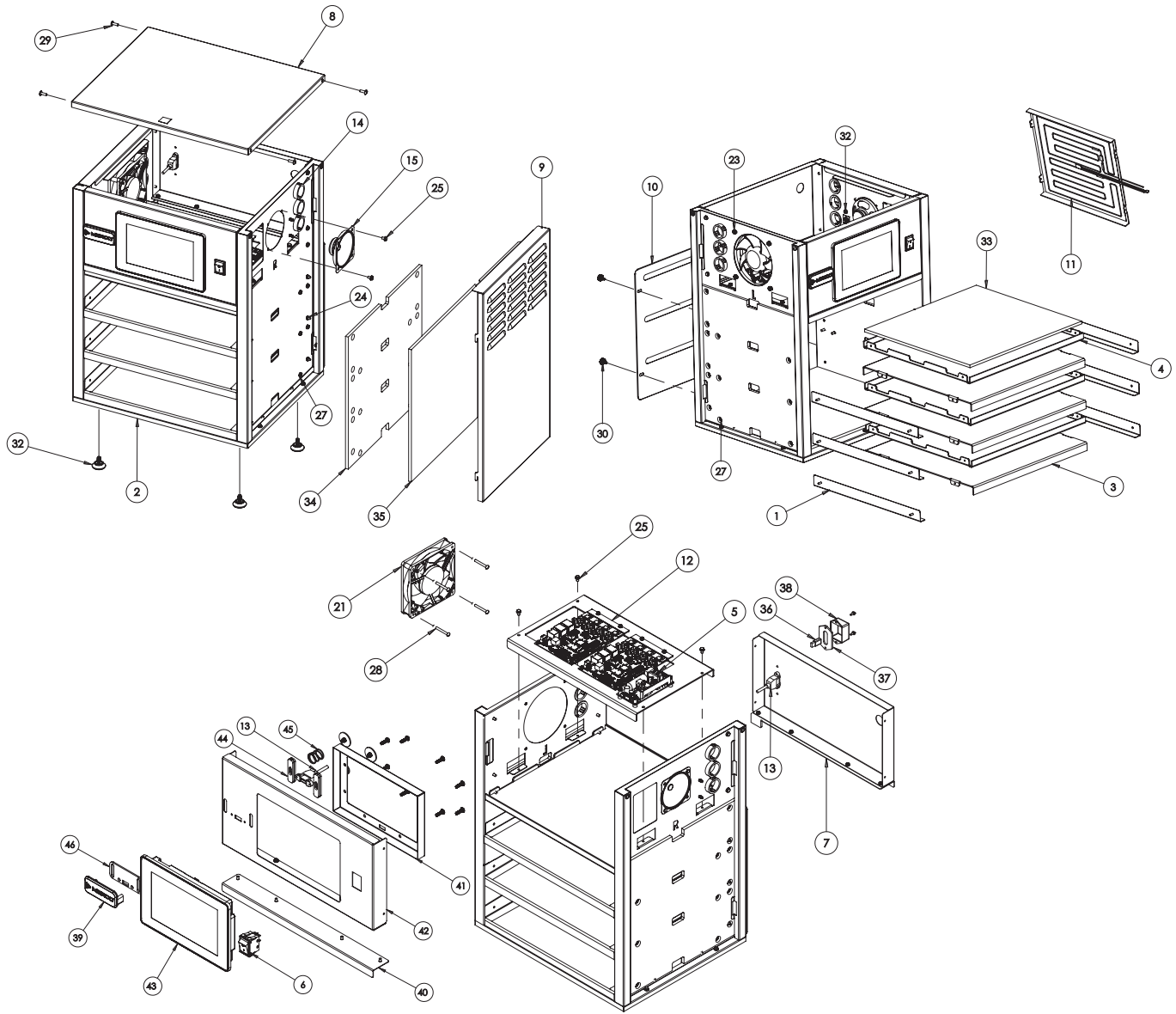


MHD-3x2 Double Components

ITEM	PART NUMBER	DESCRIPTION	NOTE	
	1	1088597	EMBLEM, MERCO WASHER ASSY	
	2	1088672	SHELF ASSY, MHD 2-WIDE LOWER	
	3	1088673	SHELF ASSY, MHD 2-WIDE UPPER	
√	4	8076371	ANTENNA, MHC SIDE GND	
√	5	8076001	POWER SUPPLY, 12VDC 30W MHC	
	6	1088819	BASE ASSY, MHD 2-WIDE W/TOWERS	
	7	1088824	ELECTRONICS ASSY, MHD 3-TALL	
	8	8075829	SPEAKER, 4 OHM	
	9	2602369	BRACKET, ULTRATONIX UI	
	10	2602475	COVER, MHD 2-WIDE TOP	
	11	2602511	SLIDE PLATE, MHA 3X2 EMBLEM	
	12	2602518	PANEL, MHD 3-TALL SOLID	
	13	2602520	PANEL, MHD 3-TALL VENTED	
√	14	8076208	BOARD, RFID READER	
√	15	8076459	HEATER PAD, 230V-200W NFA ZOPPS (LOWER)	
√	16	8076461	HEATER PAD, 230V-200W NFA ZOPPS (UPPER)	
√	17	8076212	BOARD, MHC POWER & COMM	
√	18	8076514	BOARD, MERCO MHA/MHD IO	
*	19	8076011	CABLE, IO TO IO 18"	
√	20	8076023	SWITCH, POWER DPST 16AMP	
	21	8076172	CABLE, USB PANEL MOUNT FEMALE 42"	
	22	8076226	DONGLE, MHC WIFI LM808	
*	23	8076328	CABLE, COMM CROSSOVER NO DC 25" (RJ45 to RJ12)	
√	24	8263655	KIT, UI, UX, MERCO ARBY'S	
*	25	8076485	CABLE, JUMPER SPEAKER TO UX UI	
*	26	8076508	HARNESS, MHD 3X2 AC POWER	
*	27	8076510	HARNESS, MHD 3X2 DC POWER	
*	28	8076516	CORD, NEMA 6-20P 12/3 MHD	
	29	8090105	SCREW, 8-32 X 3/8 HX WSHR SL ZP	
	30	8090250	NUT, 6-32 HX ZP KEPS	
*	31	8090359	SCREW, #8 X 1/4 HX WASHER SL HD ZP	
	32	8090518	SCRW, 8-32X3/8 HX WSHR SL HD SS	
	33	8091128	SCREW, 8-32 X 1/2" TR HD PHIL S/S	
	34	8091248	SCREW, ELECTRICAL GROUNDING 8-32 X 3/8	
	35	8091260	SCREW, 8-32 X 9/16 PHIL HD SS	
	36	8104884	EMBLEM, MERCO DIE-CAST	
	37	8104885	SPRING, COM .72 X .055 X .750	
	38	8161152	GASKET, MERCO WIFI COVER	
	39	8161155	TEFLON, EMBLEM BACK PLATE USB	
	40	8161157	COVER, MERCO WIFI	
	41	8161217	INSULATION, MHD 2-WIDE SHELF	
	42	8161218	INSULATION, MHD 3-TALL TOWER	
	43	8161220	INSULATION, MHD 3-TALL LEFT	
	44	8239604	TRAY SEAL, MHD	

√ Recommended Parts * Not Shown

MHA-3x2 Single Landscape Components

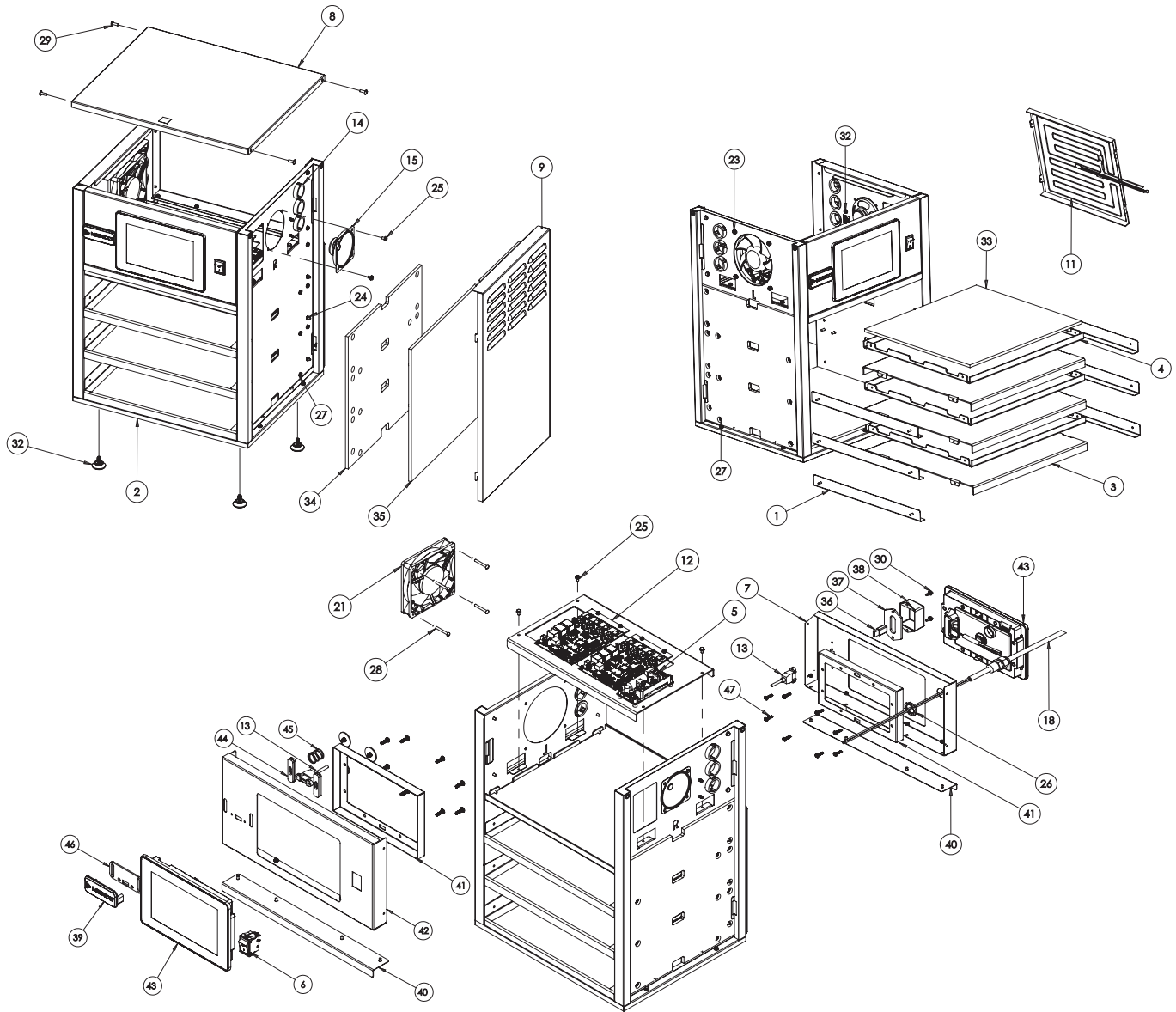


MHA-3x2 Single Landscape Components

ITEM	PART NUMBER	DESCRIPTION	NOTE	
	1	1087291	HOLDOWN ASSY, SHELF SUPPORT	
	2	1088578	BASE ASSY, MHA 3X2 W/TOWERS	
	3	1088581	SHELF ASSY, MHA 3X2 LOWER	
	4	1088582	SHELF ASSY, MHA 3X2 UPPER	
√	5	8076001	POWER SUPPLY, 12VDC 30W MHC	
√	6	8076023	SWITCH, POWER DPST 16AMP	
	7	1088586	REAR ASSY, MHA 3X2 SOLID	
	8	2602382	COVER, MHA 3X2 TOP	
	9	2602409	PANEL, MHA 3X2 SIDE	
	10	2602412	PANEL, MHA 3X2 BACK	
√	11	8076237	HEATER PAD, MHW 3X2, 120V-200W	
√	12	8076514	BOARD, MERCO MHA/MHD IO	
	13	8076172	CABLE, USB PANEL MOUNT FEMALE	
	14	8072469	BUSHING, HEYCO 1" ID	
	15	8075829	SPEAKER, 4 OHM	
*	16	8076011	CABLE, IO TO IO 18"	
*	17	8076328	CABLE, COMM CROSSOVER NO DC 25" (RJ45 to RJ12)	
*	18	8076363	CORD, NEMA 5-15P 14/3 MHG	
*	19	8076465	HARNESS, MHA 3X2 AC POWER	
*	20	8076466	HARNESS, MHA 3X2 DC POWER	
	21	8076468	FAN 120X120X25MM, 115CFM	
*	22	8076485	CABLE, JUMPER SPEAKER TO UX UI	
	23	8090247	NUT, 8-32 HX ZP KEPS	
	24	8090250	NUT, 6-32 HX ZP KEPS	
	25	8090359	SCREW, #8 X 1/4 HX WASHER SL HD ZP	
*	26	8090454	NUT, 1/2" CONDUIT NUT	
	27	8090518	SCRW, 8-32X3/8 HX WSHR SL HD SS	
	28	8091128	SCREW, 8-32 X 1/2" TR HD PHIL S/S	
	29	8091158	SCREW, ROUND HD SLOTTED	
	30	8091240	SCREW,8-32 .63X.38 SHOULDER	
	31	8091248	SCREW, ELECTRICAL GROUNDING 8-32 X 3/8	
	32	8104733	FOOT, BASE MOUNT LEVELING	
	33	8161115	INSULATION, SHELF 2 WIDE	
	34	8161201	INSULATION, MHA 3X2 TOWER	
	35	8161202	INSULATION, MHA 3X2 SIDE PANEL	
	36	8076226	DONGLE, MHC WIFI LM808	
	37	8161152	GASKET, MERCO WIFI COVER	
	38	8161157	COVER, MERCO WIFI	
	39	1088597	EMBLEM, MERCO WASHER ASSY	
	40	1088790	COVER ASSY, SHELF MHU	
	41	2602369	BRACKET, ULTRATONIX UI	
	42	2602383	PANEL, MHA 3X2 FRONT UI	
√	43	8263655	KIT, UX UI MERCO ARBYS	
	44	2602511	SLIDE PLATE, MHA 3X2 EMBLEM	
	45	8104885	SPRING, COM .72 X .055 X .750	
	46	8161155	TEFLON, EMBLEM BACK PLATE USB	

√ Recommended Parts * Not Shown

MHA-3x2 Double Landscape Components

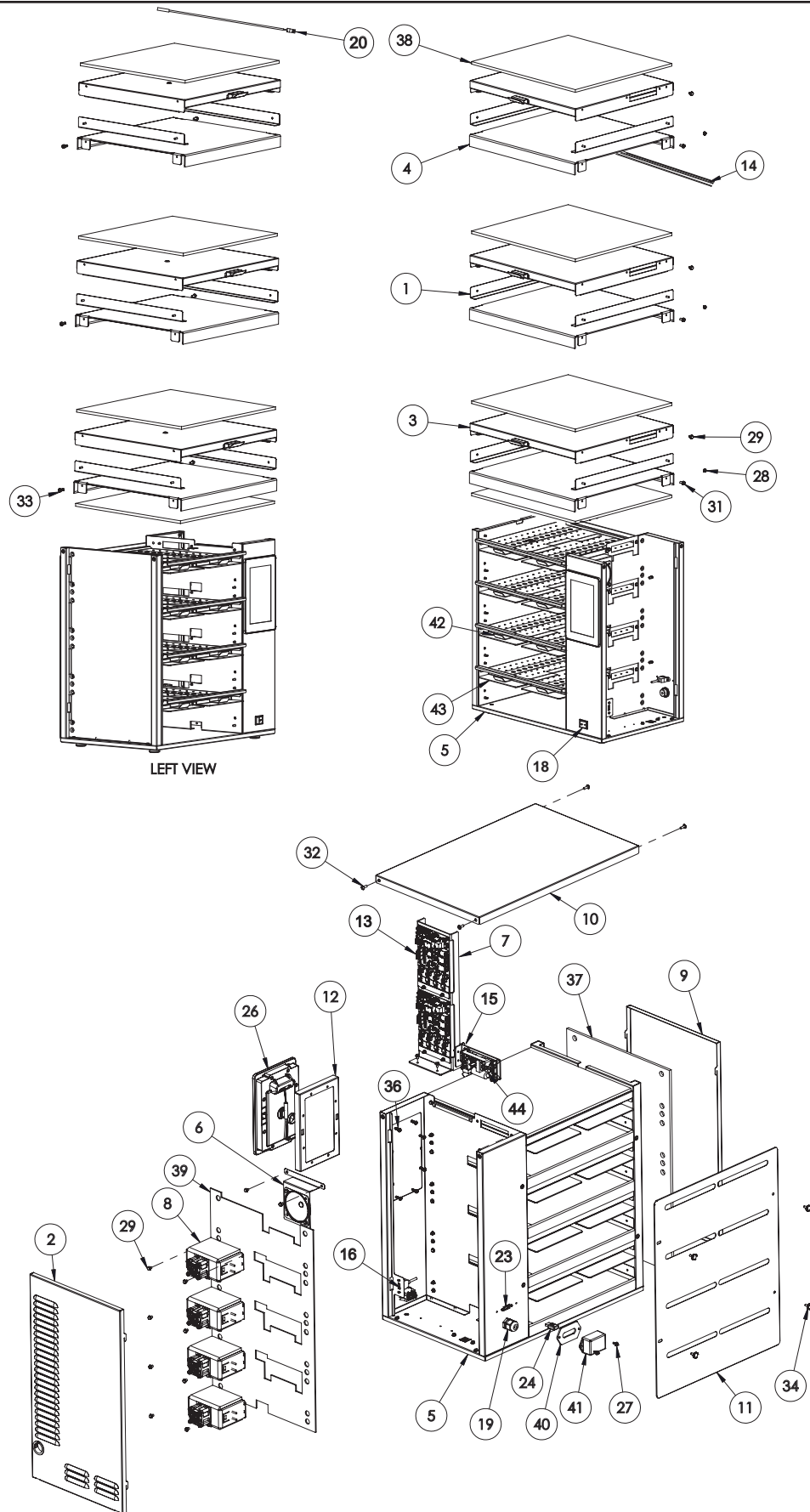


MHA-3x2 Double Landscape Components

ITEM	PART NUMBER	DESCRIPTION	NOTE
	1	1087291	HOLDOWN ASSY, SHELF SUPPORT
	2	1088578	BASE ASSY, MHA 3X2 W/TOWERS
	3	1088581	SHELF ASSY, MHA 3X2 LOWER
	4	1088582	SHELF ASSY, MHA 3X2 UPPER
√	5	8076001	POWER SUPPLY, 12VDC 30W MHC
√	6	8076023	SWITCH, POWER DPST 16AMP
	7	2602513	HOUSING, CONTROL MHU
	8	2602382	COVER, MHA 3X2 TOP
	9	2602409	PANEL, MHA 3X2 SIDE
*	10	8076258	JUMPER, UI TO UI 30"
√	11	8076237	HEATER PAD, MHW 3X2, 120V-200W
√	12	8076514	BOARD, MERCO MHA/MHD IO
	13	8076172	CABLE, USB PANEL MOUNT FEMALE
	14	8072469	BUSHING, HEYCO 1" ID
	15	8075829	SPEAKER, 4 OHM
*	16	8076011	CABLE, IO TO IO 18"
*	17	8076328	CABLE, COMM CROSSOVER NO DC 25" (RJ45 to RJ12)
	18	8076363	CORD, NEMA 5-15P 14/3 MHG
*	19	8076465	HARNESS, MHA 3X2 AC POWER
*	20	8076466	HARNESS, MHA 3X2 DC POWER
	21	8076468	FAN 120X120X25MM, 115CFM
*	22	8076485	CABLE, JUMPER SPEAKER TO UX UI
	23	8090247	NUT, 8-32 HX ZP KEPS
	24	8090250	NUT, 6-32 HX ZP KEPS
	25	8090359	SCREW, #8 X 1/4 HX WASHER SL HD ZP
	26	8090454	NUT, 1/2" CONDUIT NUT
	27	8090518	SCRW, 8-32X3/8 HX WSHR SL HD SS
	28	8091128	SCREW, 8-32 X 1/2" TR HD PHIL S/S
	29	8090962	SCREW, 8-32 X 1-5/8, PHIL TRUSS FULL/THRD MS ZINC
	30	8090105	SCREW, 8-32 X 3/8 HX WSHR SL ZP
	31	8091248	SCREW, ELECTRICAL GROUNDING 8-32 X 3/8
	32	8104733	FOOT, BASE MOUNT LEVELING
	33	8161115	INSULATION, SHELF 2 WIDE
	34	8161201	INSULATION, MHA 3X2 TOWER
	35	8161202	INSULATION, MHA 3X2 SIDE PANEL
	36	8076226	DONGLE, MHC WIFI LM808
	37	8161152	GASKET, MERCO WIFI COVER
	38	8161157	COVER, MERCO WIFI
	39	1088597	EMBLEM, MERCO WASHER ASSY
	40	1088790	COVER ASSY, SHELF MHU
	41	2602369	BRACKET, ULTRATONIX UI
	42	2602383	PANEL, MHA 3X2 FRONT UI
√	43	8263655	KIT, UX UI MERCO ARBYS
	44	2602511	SLIDE PLATE, MHA 3X2 EMBLEM
	45	8104885	SPRING, COM .72 X .055 X .750
	46	8161155	TEFLON, EMBLEM BACK PLATE USB
	47	8091260	SCREW, 8-32 X 9/16 PHIL HD SS

√ Recommended Parts * Not Shown

MHG-4x2 Single Components

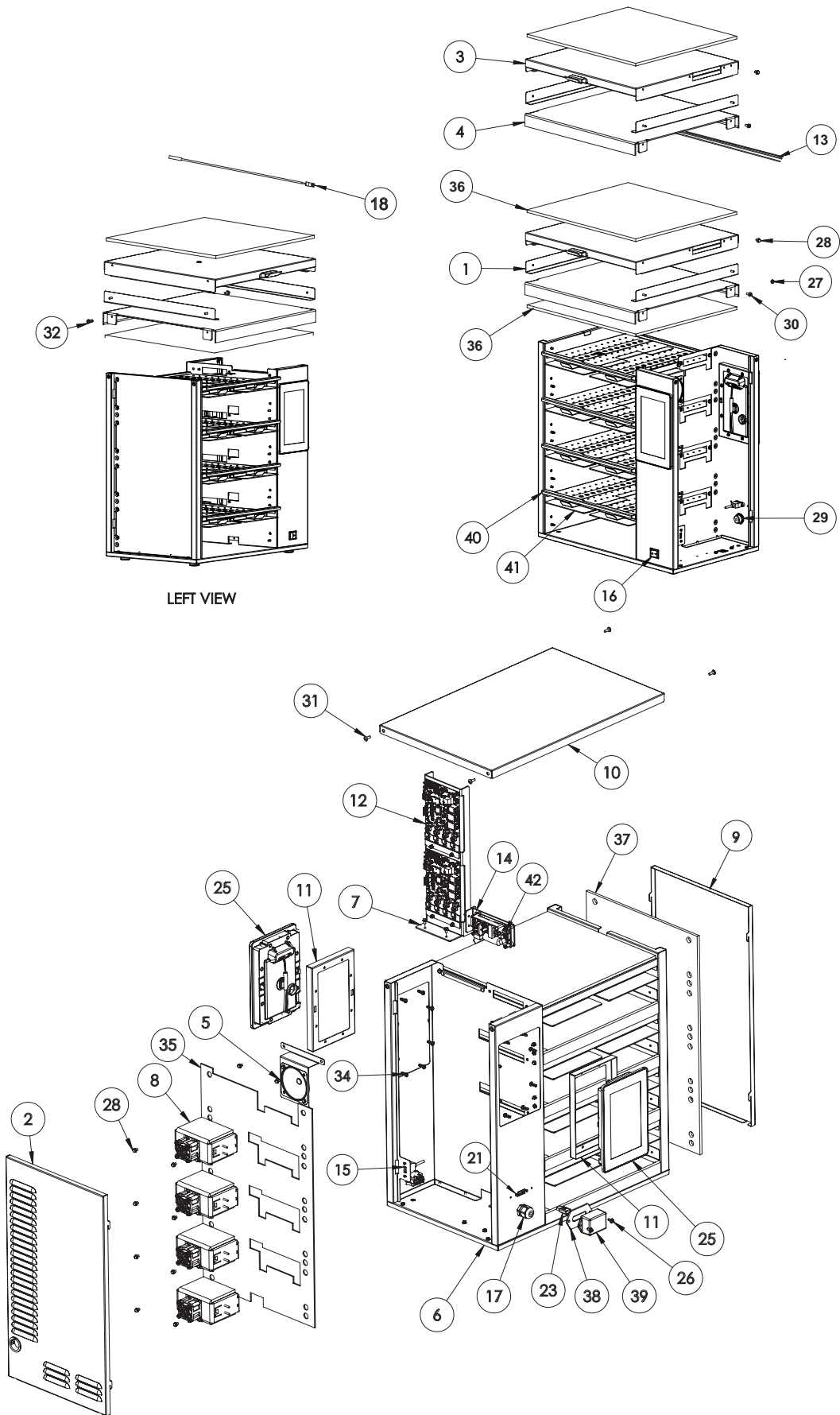


MHG-4x2 Single Components

ITEM	PART NUMBER	DESCRIPTION	NOTE
1	1087291	HOLDOWN ASSY, SHELF SUPPORT	
2	1087454	PANEL ASSY, SIDE RH 4 HIGH	
3	1087304	AIR ASSY, 2-WIDE PLENUM	
4	1087451	SHELF ASSY, 230V-200W 2-WIDE	
5	1087482	BASE W/ TOWERS, 4x2 GM-VHC	
6	8075829	SPEAKER, 4 OHM	
7	1087433	BRACKET ASSY, DOUBLE I/O BOARD MNT W/STUDS	
√	1088663SP	AIR HEATER ASSY, 230V-450W 8CFM	
9	2601811	PANEL, SIDE LH 4-HIGH	
10	2601829	PANEL, TOP 2-WIDE_VHC	
11	2602173	BACK, PANEL MHG 4X2	
12	2602369	BRACKET, ULTRATONIX UI	
√	8076471	I/O BOARD, MERCO EASYTOUCH	
√	8076099	HEATER PAD, 230V, 200W	
15	1087269	BRACKET ASS'Y, MOUNT W/STUDS POWER SUPPLY	
16	8076010	CABLE, USB PANEL MOUNT FEMALE 10"	
*	8076011	CABLE, SUI TO ETHERNET	
√	8076023	SWITCH, POWER DPST 16AMP	
19	8076026	CORD, NEMA 6-20P 12/3	
√	8076102	PROBE, MHCFA SINGLE	
*	8076143	HARNESS, DC POWER 4X2, 3X2 MHG-VHC	
*	8076144	HARNESS, AC POWER 4X2	
23	8076172	CABLE, USB PANEL MOUNT FEMALE 42"	
24	8076226	DONGLE, MHC WIFI LM808	
*	8076328	CABLE, COMM CROSSOVER NO DC 25" (RJ45 to RJ12)	
√	8263671	KIT, UX UI	
27	8090105	SCREW, 8-32 X 3/8 HX WSHR SL ZP	
28	8090250	NUT, 6-32 HX ZP KEPS	
29	8090359	SCREW, #8 X 1/4 HX WASHER SL HD ZP	
*	8090454	NUT, 1/2 N.P.T. LOCKING	
31	8090518	SCRW, 8-32X3/8 HX WSHR SL HD SS	
32	8091128	SCREW, 8-32 X 1/2" TR HD PHIL S/S	
33	8091228	SCREW, 8-32 .187 X .250 SHOULDER	
34	8091240	SCREW,8-32 .63X.38 SHOULDER	
*	8091248	SCREW, ELECTRICAL GROUNDING 8-32 X 3/8	
36	8091253	SCREW, M4 x .7 x 14mm	
37	8161130	INSULATION, TOWER RH 4-HIGH	
38	8161115	INSULATION, SHELF 2 WIDE	
39	8161129	INSULATION, LH 4-HIGH	
40	8161152	GASKET, MERCO WIFI COVER	
41	8161157	COVER, MERCO WIFI	
42	8239275	DIFFUSER W/A, 2 WIDE AIR	
43	8242410	COVER W/LDMNT, TRAY MHC	
√	8076001	POWER SUPPLY, 12VDC 30W MHC	

√ Recommended Parts * Not Shown

MHG-4x2 Double Components

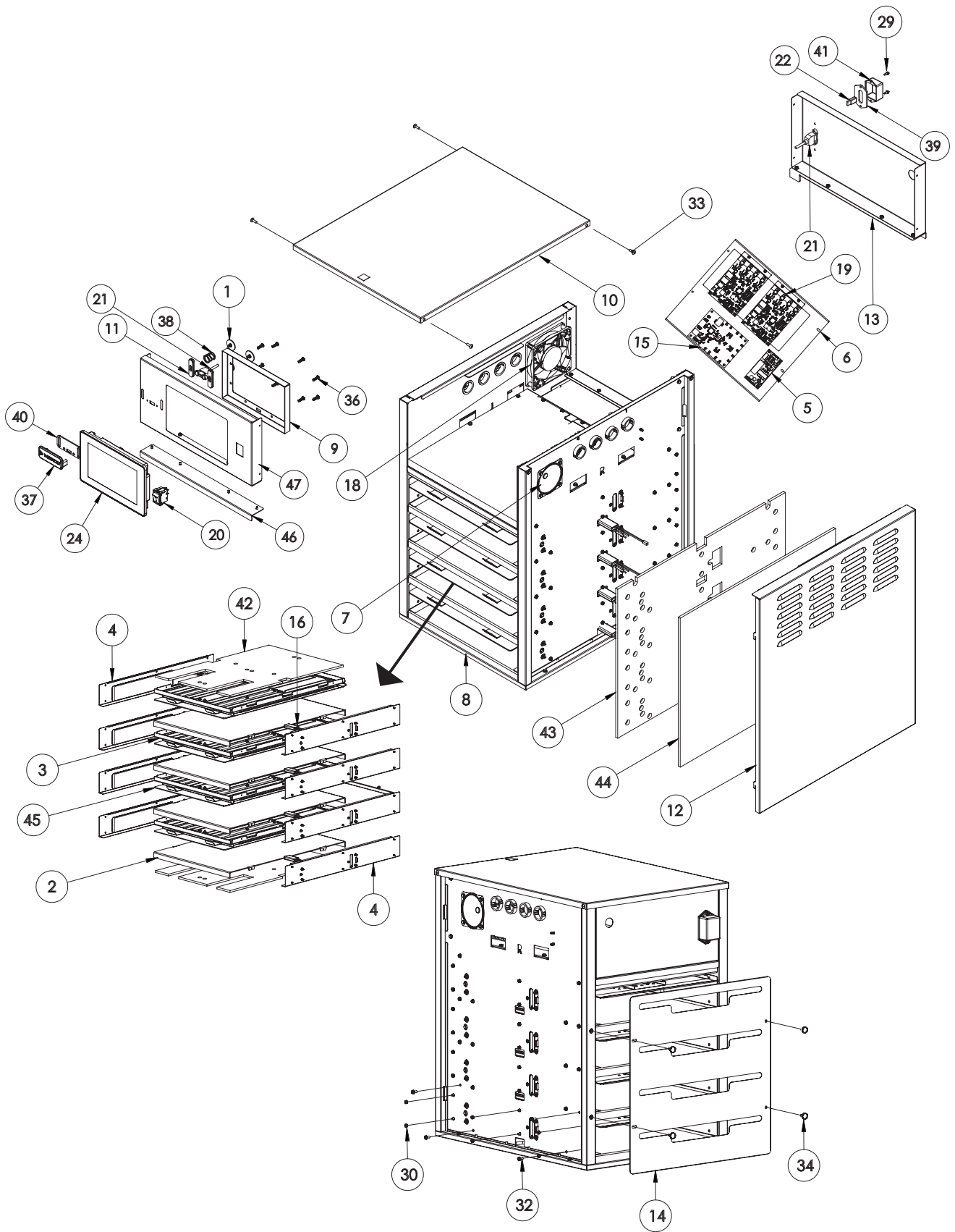


MHG-4x2 Double Components

ITEM	PART NUMBER	DESCRIPTION	NOTE
1	1087291	HOLDOWN ASSY, SHELF SUPPORT	
2	1087454	PANEL ASSY, SIDE RH 4 HIGH	
3	1087304	AIR ASSY, 2-WIDE PLENUM	
4	1087451	SHELF ASSY, 230V-200W 2-WIDE	
5	8075829	SPEAKER, 4 OHM	
6	1087544	BASE W/TOWERS, 4X2 GM-VHC, 2-DISP	
7	1087433	BRACKET ASSY, DOUBLE I/O BOARD MNT W/STUDS	
√	1088663SP	AIR HEATER ASSY, 230V-450W 8CFM	
9	2601811	PANEL, SIDE LH 4-HIGH	
10	2601829	PANEL, TOP 2-WIDE_VHC	
11	2602369	BRACKET, ULTRATONIX UI	
√	8076471	I/O BOARD, MERCO EASYTOUCH	
√	8076099	HEATER PAD, 230V, 200W	
14	1087269	BRACKET ASS'Y, MOUNT W/STUDS POWER SUPPLY	
15	8076010	CABLE, USB PANEL MOUNT FEMALE 10"	
√	8076023	SWITCH, POWER DPST 16AMP	
17	8076026	CORD, NEMA 6-20P 12/3	
√	8076102	PROBE, MHCFA SINGLE	
*	8076143	HARNESS, DC POWER 4X2, 3X2 MHG-VHC	
*	8076144	HARNESS, AC POWER 4X2	
21	8076172	CABLE, USB PANEL MOUNT FEMALE 42"	
*	8076181	UI TO UI CANBUS 18" CFA	
23	8076226	DONGLE, MHC WIFI LM808	
*	8076328	CABLE, COMM CROSSOVER NO DC 25" (RJ45 to RJ12)	
√	8263671	KIT, UX UI	
26	8090105	SCREW, 8-32 X 3/8 HX WSHR SL ZP	
27	8090250	NUT, 6-32 HX ZP KEPS	
28	8090359	SCREW, #8 X 1/4 HX WASHER SL HD ZP	
29	8090454	NUT, 1/2 N.P.T. LOCKING	
*	8090518	SCREW, 8-32X3/8 HX WSHR SL HD SS	
31	8091128	SCREW, 8-32 X 1/2" TR HD PHIL S/S	
32	8091228	SCREW, 8-32 .187 X .250 SHOULDER	
*	8091248	SCREW, ELECTRICAL GROUNDING 8-32 X 3/8	
34	8091253	SCREW, M4 x .7 x 14mm	
35	8161130	INSULATION, TOWER RH 4-HIGH	
36	8161115	INSULATION, SHELF 2 WIDE	
37	8161129	INSULATION, LH 4-HIGH	
38	8161152	GASKET, MERCO WIFI COVER	
39	8161157	COVER, MERCO WIFI	
40	8239275	DIFFUSER W/A, 2 WIDE AIR	
41	8242410	COVER W/LDMNT, TRAY MHC	
√	8076001	POWER SUPPLY, 12VDC 30W MHC	
*	8076011	CABLE, SUI TO ETHERNET	

√ Recommended Parts * Not Shown

MHD-4x2 Single Landscape Components

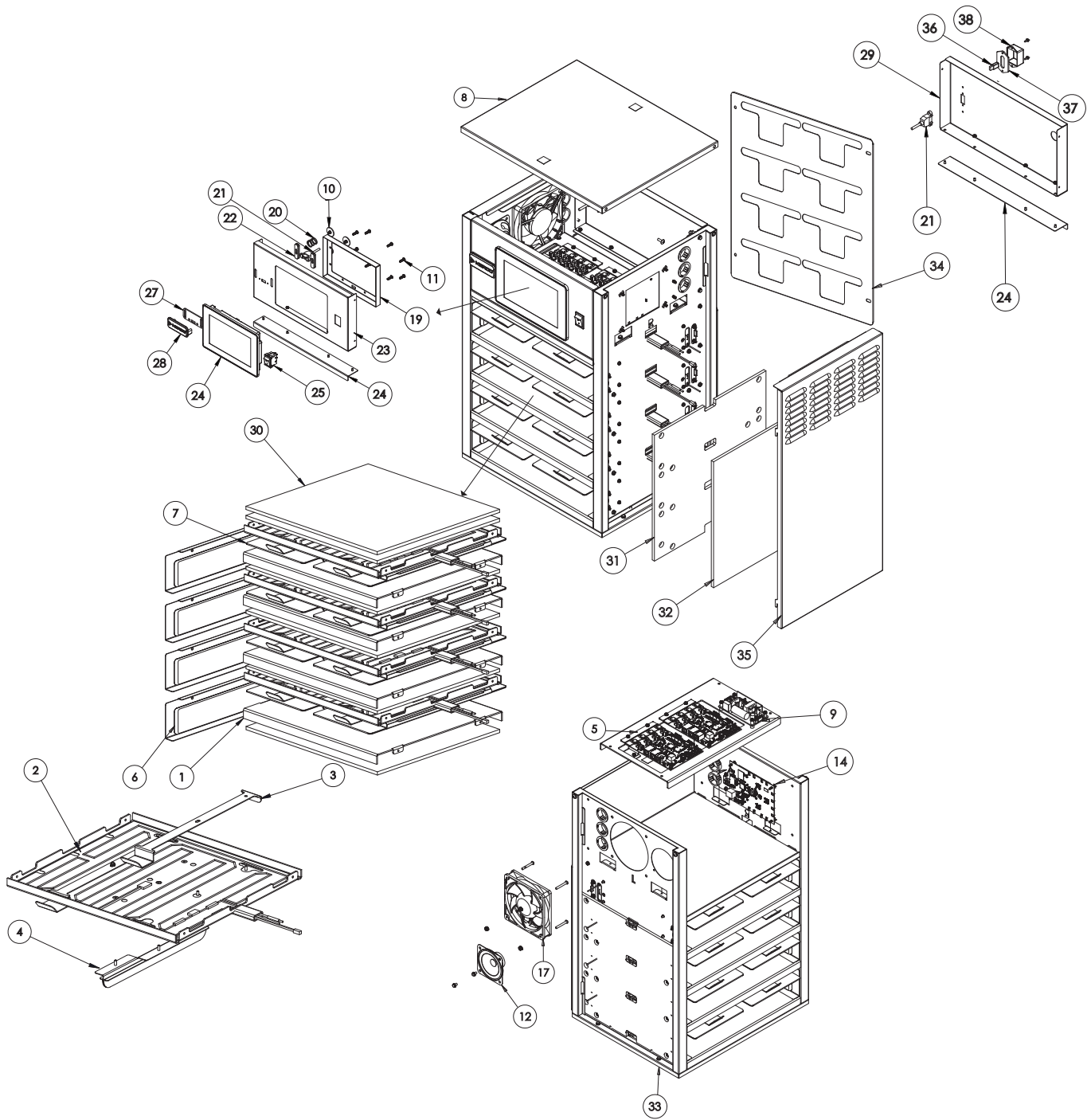


MHD-4x2 Single Landscape Components

ITEM	PART NUMBER	DESCRIPTION	NOTE	
	1	1088597	EMBLEM, MERCO WASHER ASSY	
	2	1088672	SHELF ASSY, MHD 2-WIDE LOWER	
	3	1088851	SHELF ASSY, MHD 4-TALL UPPER	
√	4	8076371	ANTENNA, MHC SIDE GND	
√	5	8076001	POWER SUPPLY, 12VDC 30W MHC	
	6	1088852	ELECTRONICS ASSY, MHD 4-TALL	
	7	8075829	SPEAKER, 4 OHM	
	8	1088850	BASE ASSY, MHD 4-TALL W/TOWERS	
	9	2602369	BRACKET, ULTRATONIX UI	
	10	2602548	COVER, MHD 4-TALL TOP	
	11	2602511	SLIDE PLATE, MHA 3X2 EMBLEM	
	12	2602547	PANEL, MHD 4-TALL SIDE	
	13	2602385	HOUSING, CONTROL MHU	
	14	2602549	PANEL, MHD 4-TALL BACK	
√	15	8076208	BOARD, RFID READER	
√	16	8076459	HEATER PAD, 230V-200W NFA ZOPPS	
*	17	8076011	CABLE, IO TO IO 18"	
√	18	8076468	FAN 120X120X25MM, 115CFM	
√	19	8076514	BOARD, MERCO MHA/MHD IO	
√	20	8076023	SWITCH, POWER DPST 16AMP	
	21	8076172	CABLE, USB PANEL MOUNT FEMALE 42"	
	22	8076226	DONGLE, MHC WIFI LM808	
*	23	8076328	CABLE, COMM CROSSOVER NO DC 25" (RJ45 to RJ12)	
√	24	8263655	KIT, UI, UX, MERCO ARBY'S	
*	25	8076485	CABLE, JUMPER SPEAKER TO UX UI	
*	26	8076509	HARNESS, MHD 4X2 AC POWER	
*	27	8076466	HARNESS, MHA 3X2 DC POWER	
*	28	8076516	CORD, NEMA 6-20P 12/3 MHD	
	29	8090105	SCREW, 8-32 X 3/8 HX WSHR SL ZP	
*	30	8090250	NUT, 6-32 HX ZP KEPS	
*	31	8090359	SCREW, #8 X 1/4 HX WASHER SL HD ZP	
*	32	8090518	SCRW, 8-32X3/8 HX WSHR SL HD SS	
	33	8091128	SCREW, 8-32 X 1/2" TR HD PHIL S/S	
*	34	8091240	SCREW,8-32 .63X.38 SHOULDER	
*	35	8091248	SCREW, ELECTRICAL GROUNDING 8-32 X 3/8	
	36	8091260	SCREW, 8-32 X 9/16 PHIL HD SS	
	37	8104884	EMBLEM, MERCO DIE-CAST	
	38	8104885	SPRING, COM .72 X .055 X .750	
	39	8161152	GASKET, MERCO WIFI COVER	
	40	8161155	TEFLON, EMBLEM BACK PLATE USB	
	41	8161157	COVER, MERCO WIFI	
	42	8161217	INSULATION, MHD 2-WIDE SHELF	
	43	8161221	INSULATION, MHD 4-TALL TOWER	
	44	8161222	INSULATION, MHD 4-TALL SIDE	
	45	8239604	TRAY SEAL, MHD	
	46	1088790	COVER ASSY, SHELF MHU	
	47	2602383	PANEL, MHA 3X2 FRONT UI	
*	48	8076011	CABLE, IO TO IO 18"	

√ Recommended Parts * Not Shown

MHG-4x2 Single Landscape Components

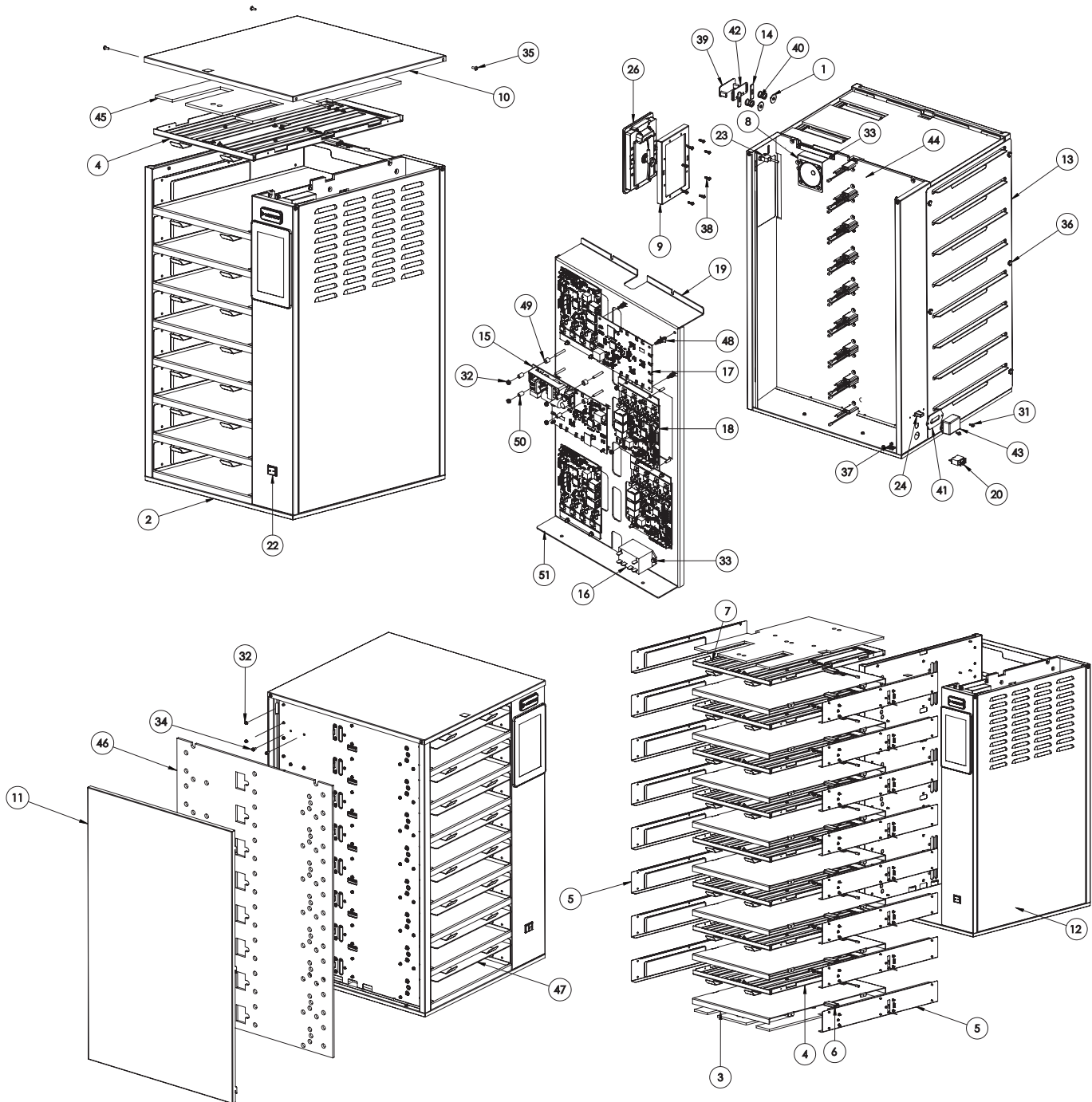


MHG-4x2 Single Landscape Components

ITEM	PART NUMBER	DESCRIPTION	NOTE
√	1	8076237 HEATER PAD, MHW 3X2, 120V-200W (<i>Lower Shelf</i>)	
√	2	8076568 HEATER PAD, 120V-200W (<i>Upper Shelf</i>)	
	3	2602178 LATCH, TRAY NON FORCE AIR MHG	
	4	8239521 DIVIDER ASSY, TRAY SEAL MHG	
√	5	8076514 BOARD, MERCO MHA/MHD IO	
√	6	8076371 ANTENNA, MHC SIDE GND	
	7	2601683 COVER, TRAY MHC	
	8	2602382 COVER, MHA 3X2 TOP	
√	9	8076001 POWER SUPPLY, 12VDC 30W MHC	
	10	1088597 EMBLEM, MERCO WASHER ASSY	
	11	8091260 SCREW, 8-32 X 9/16 PHIL HD SS	
	12	8075829 SPEAKER, 4 OHM	
	13	8076144 HARNESS, AC POWER 4X2	
	14	8076208 BOARD, RFID READER	
	15	8076363 CORD, NEMA 5-15P 14/3 MHG	
*	16	8076466 HARNESS, MHA 3X2 DC POWER	
	17	8076468 FAN 120X120X25MM, 115CFM	
*	18	8076485 CABLE, JUMPER SPEAKER TO UX UI	
	19	2602369 BRACKET, ULTRATONIX UI	
	20	8104885 SPRING, COM .72 X .055 X .750	
	21	8076172 CABLE, USB PANEL MOUNT FEMALE 42"	
	22	2602511 SLIDE PLATE, MHA 3X2 EMBLEM	
	23	2602383 PANEL, MHA 3X2 FRONT UI	
	24	1088790 COVER ASSY, SHELF MHU	
√	25	8076023 SWITCH, POWER DPST 16AMP	
√	26	8263671 UI, ULTRATONIX	
	27	8161155 TEFLON, EMBLEM BACK PLATE USB	
	28	8104884 EMBLEM, MERCO DIE-CAST	
	29	2602385 HOUSING, CONTROL MHU	
	30	8161115 INSULATION, SHELF 2 WIDE	
	31	8161201 INSULATION, MHA 3X2 TOWER	
	32	8161202 INSULATION, MHA 3X2 SIDE PANEL	
	33	130198049 BASE ASSY, SONIC 4x2 W/TOWERS	
	34	130198063 BACK, PANEL MHG 4X2	
	35	130198064 PANEL, MHG 4X2 SIDE	
	36	8076226 DONGLE, MHC WIFI LM808	
	37	8161152 GASKET, MERCO WIFI COVER	
	38	8161157 COVER, DONGLE	
*	39	8076011 CABLE, IO TO IO 18"	

√ Recommended Parts * Not Shown

MHD-8x2 Single Components



MHD-8x2 Single Components

ITEM	PART NUMBER	DESCRIPTION	NOTE	
	1	1088597	EMBLEM, MERCO WASHER ASSY	
	2	1088669	BASE ASSY, MHD 2-WIDE W/TOWERS	
	3	1088672	SHELF ASSY, MHD 2-WIDE LOWER	
	4	1088673	SHELF ASSY, MHD 2-WIDE UPPER	
	5	8076371	ANTENNA, MHC SIDE GND	
√	6	8076459	HEATER PAD, 230V-200W NFA ZOPPS (LOWER)	
√	7	8076461	HEATER PAD, 230V-200W NFA ZOPPS (UPPER)	
	8	8075829	SPEAKER, 4 OHM	
	9	2602369	BRACKET, ULTRATONIX UI	
	10	2602475	COVER, MHD 2-WIDE TOP	
	11	2602476	PANEL, MHD 8-TALL LEFT	
	12	2602477	PANEL, MHD 8-TALL RIGHT	
	13	2602478	PANEL, MHD 8-TALL BACK	
	14	2602511	SLIDE PLATE, MHA 3X2 EMBLEM	
√	15	8076001	POWER SUPPLY, 12VDC 30W MHC	
√	16	8076038	RELAY, POWER HEAVY DUTY 220V	
√	17	8076208	BOARD, RFID READER	
√	18	8076515	BOARD, MERCO MHD 8-TALL IO	
	19	1088680	ELECTRONICS ASSY, MHD 8-TALL MOUNTING PLATE	
√	20	8074882	BREAKER, 16A	
*	21	8076011	CABLE, IO TO IO 18"	
√	22	8076023	SWITCH, POWER DPST 16AMP	
	23	8076172	CABLE, USB PANEL MOUNT FEMALE 42"	
	24	8076226	DONGLE, MHC WIFI LM808	
*	25	8076328	CABLE, COMM CROSSOVER NO DC 25" (RJ45 to RJ12)	
√	26	8263655	KIT, UI, UX, MERCO ARBY'S	
*	27	8076481	HARNESS, AC POWER MHD 8X2	
*	28	8076482	HARNESS, DC POWER MHD 8X2	
*	29	8076485	CABLE, JUMPER SPEAKER TO UX UI	
*	30	8076516	CORD, NEMA 6-20P 12/3 MHD	
	31	8090105	SCREW, 8-32 X 3/8 HX WSHR SL ZP	
	32	8090250	NUT, 6-32 HX ZP KEPS	
	33	8090359	SCREW, #8 X 1/4 HX WASHER SL HD ZP	
	34	8090518	SCRW, 8-32X3/8 HX WSHR SL HD SS	
	35	8091128	SCREW, 8-32 X 1/2" TR HD PHIL S/S	
	36	8091240	SCREW,8-32 .63X.38 SHOULDER	
	37	8091248	SCREW, ELECTRICAL GROUNDING 8-32 X 3/8	
	38	8091260	SCREW, 8-32 X 9/16 PHIL HD SS	
	39	8104884	EMBLEM, MERCO DIE-CAST	
	40	8104885	SPRING, COM .72 X .055 X .750	
	41	8161152	GASKET, MERCO WIFI COVER	
	42	8161155	TEFLON, EMBLEM BACK PLATE USB	
	43	8161157	COVER, MERCO WIFI	
	44	8161210	INSULATION, MHD 8-TALL TOWER	
	45	8161217	INSULATION, MHD 2-WIDE SHELF	
	46	8161219	INSULATION, MHD 8-TALL LEFT	
	47	8239604	TRAY SEAL, MHD	
	48	8090580	STANDOFF, UHC PCB X .312 LG	
	49	8101884	SPACER, ALUMINUM .312 X .275	
	50	8160426	SPACER, .25x.140x3/8 NYLON	
	51	1088679	ELECTRONICS ASSY, MHD 8-TALL	

√ Recommended Parts * Not Shown



MERCO
8700 LINE AVENUE, SHREVEPORT, LA 71106-6800

MERCO SALES: 800.221.4583
MERCO SERVICE: 877.392.7770
WWW.MERCOPRODUCTS.COM

Serving Quality on Demand



Welbilt offers fully-integrated kitchen systems and our products are backed by KitchenCare® aftermarket parts and service. Welbilt's portfolio of award-winning brands includes Cleveland™, Convotherm®, Crem®, Delfield®, fitkitchen®, Frymaster®, Garland®, Kolpak®, Lincoln®, Merco®, Merrychef® and Multiplex®.

Bringing innovation to the table • **welbilt.com**