

# SERVICE PARTS LIST FOR MITSUBISHI ELECTRIC PACKAGED AIR-CONDITIONERS

**Series : CMB**

REVISED

**Aug. 2006**

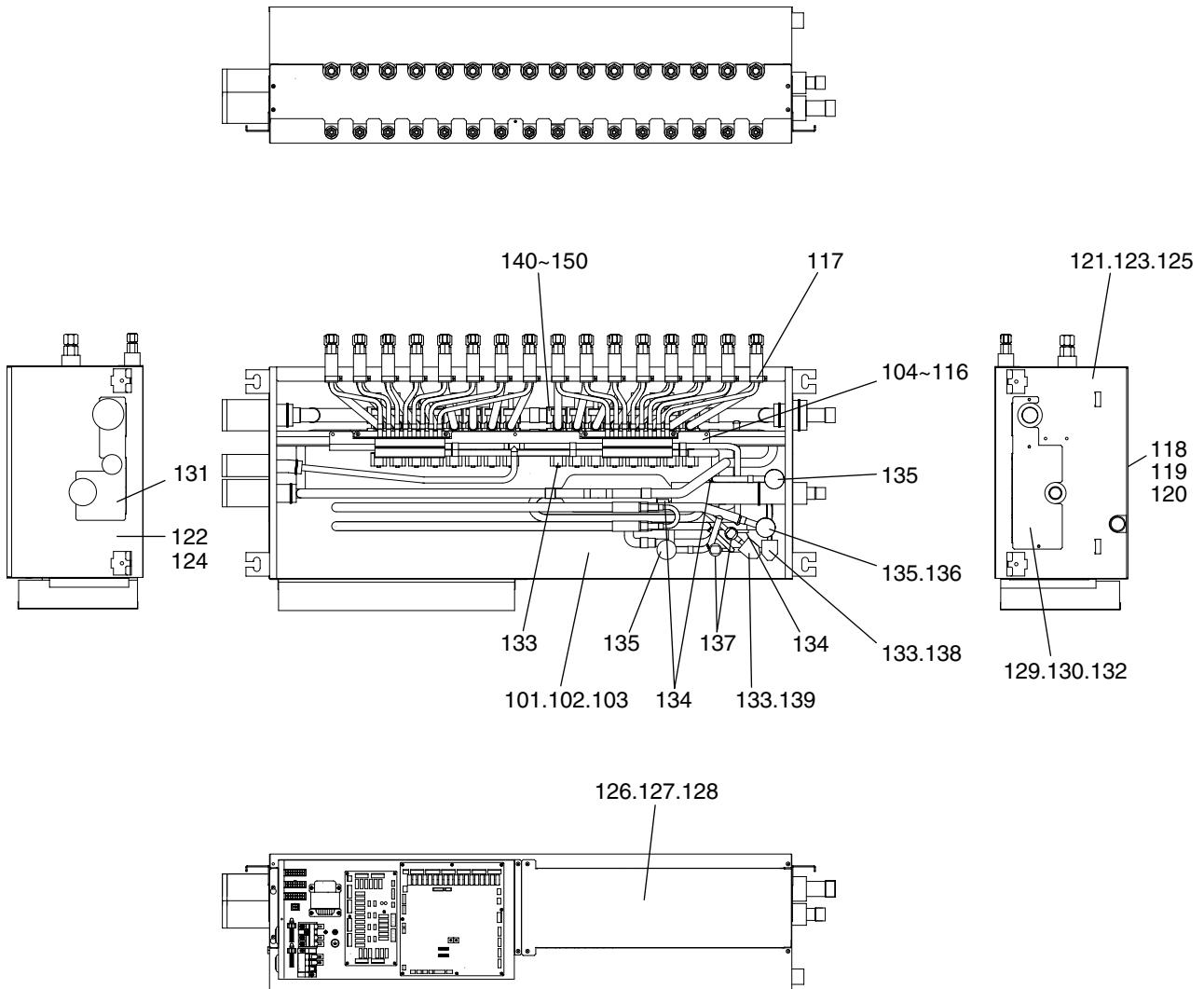
**BWE0507A**

## INDEX

**CMB-P104NU-G  
CMB-P105NU-G  
CMB-P106NU-G  
CMB-P108NU-G  
CMB-P1010NU-G  
CMB-P1013NU-G  
CMB-P1016NU-G  
CMB-P108NU-GA  
CMB-P1010NU-GA  
CMB-P1013NU-GA  
CMB-P1016NU-GA  
CMB-P104NU-GB  
CMB-P108NU-GB**



CMB-P104,P105,P106,P108,P1010,P1013,P1016NU-G    EXTERNAL PARTS & FUNCTIONAL PARTS  
 CMB-P108,P1010,P1013,P1016NU-GA  
 CMB-P104,P108NU-GB

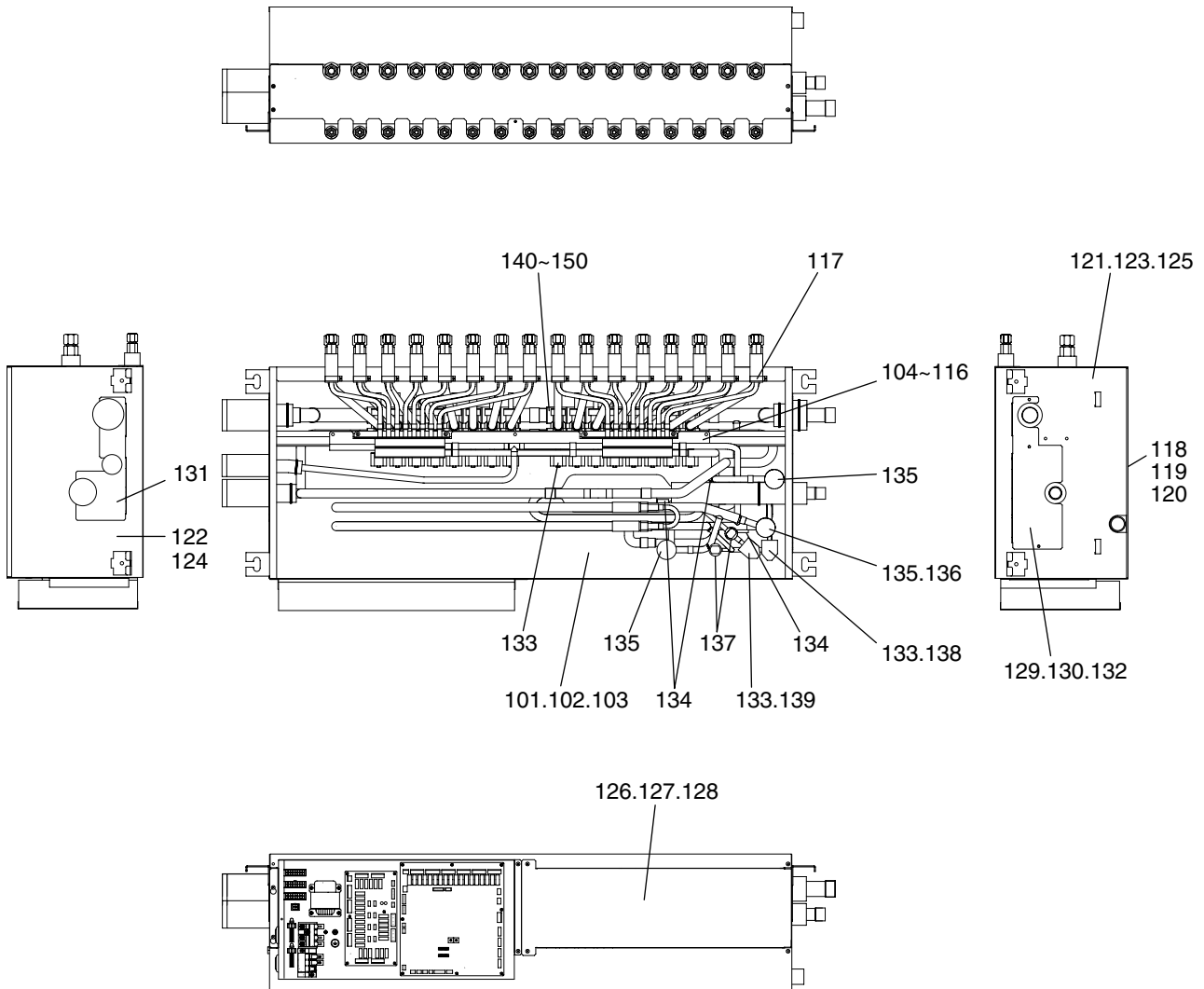


No.	Part No.	RoHS Compliant : G				Spec.	Dwg. No.	Price	Revision History
		Part Name							
101	R61 Y27 529	Drain pan				1 1 1 1	W663337G04	A	
102	R61 Y28 529	Drain pan					W663337G05	A	
103	R61 Y29 529	Drain pan					W663337G06	A	
104	R61 Y02 125	Beam assy 4				1	W658110G06		
105	R61 Y03 125	Beam assy 5				1	W658110G07		
106	R61 Y04 125	Beam assy 6					1	W658110G08	
107	R61 Y05 125	Beam assy 8					1	W658110G09	
108	R61 Y06 125	Beam assy 10						W658110G10	
109	R61 Y07 125	Beam assy 13						W658112G05	
110	R61 Y08 125	Beam assy 16						W658112G06	

CMB-P104,P105,P106,P108,P1010,P1013,P1016NU-G EXTERNAL PARTS & FUNCTIONAL PARTS  
 CMB-P108,P1010,P1013,P1016NU-GA  
 CMB-P104,P108NU-GB

No.	Part No.	RoHS Compliant : G		Spec.	CMB-P104NU-G	CMB-P105NU-G	CMB-P106NU-G	CMB-P108NU-G			Dwg. No.	Price	Revision History
			Part Name										
111	R61 Y09 125		Beam assy 8FA								W647173G13		
112	R61 Y10 125		Beam assy 10FA								W647173G14		
113	R61 Y11 125		Beam assy 13FA								W647173G15		
114	R61 Y12 125		Beam assy 16FA								W647173G16		
115	R61 Y13 125		Beam assy 4								W647171G11		
116	R61 Y14 125		Beam assy 8								W647171G12		
117	R63 H35 306	G	Fixture		4	5	6	8			W875562H01		A
118	R63 M77 653	G	Panel U F104		1	1	1	1			W646945H01		A
119	R63 M82 653	G	Panel U F1013								W646945H02		A
120	R63 M84 653	G	Panel U FA108								W646945H03		A
121	R61 Y17 652		Panel SL		1	1	1	1			W647659H02		A
122	R61 Y18 652		Panel SR		1	1	1	1			W648600H02		A
123	R61 Y39 652		Panel SL								W661883H02		A
124	R61 Y40 652		Panel SR								W661884H02		A
125	R61 Y41 652		Panel SL								W662535H02		A
126	R63 M77 690	G	Cover B F104		1	1	1	1			W893271H06		A
127	R63 M82 690	G	Cover B F1013								W893271H07		A
128	R63 M84 690	G	Cover B FA108								W893271H08		A
129	R63 M77 667	G	Cover L		1	1	1	1			W893273H01		A
130	R63 M84 667	G	Cover L								W893268H01		A
131	R63 M84 668	G	Cover R								W893269H01		A
132	R63 M88 668	G	Cover FB								W893270H01		A
133	R61 2A1 243		Solenoid valve coil		13	16	19	25			P472011X01		
134	R63 670 202	G	Thermistor	NTH3A14	4	4	4	4			P425496X01		A
135	R63 R23 401	G	Linear expansion valve	EDMA XH	2	2	2	2			P632413X02		A
136	R63 S38 401	G	Linear expansion valve	EDM4 XH							P632407X02		A
137	R63 R34 288	G	Pressure sensor		2	2	2	2			P418015X01		A
138	R61 Y07 232		Solenoid valve								P631291X01		
139	R63 4F3 232	G	Solenoid valve		1	1	1	1			P631290X01		A
140	R61 009 232		Solenoid valve block assy		1						W658176G01		A
141	R61 010 232		Solenoid valve block assy			1					W658176G02		A
142	R61 011 232		Solenoid valve block assy				1				W658176G03		A
143	R61 012 232		Solenoid valve block assy					1			W658176G04		A
144	R61 013 232		Solenoid valve block assy								W658176G05		A
145	R61 014 232		Solenoid valve block assy								W658178G01		A
146	R61 015 232		Solenoid valve block assy								W658178G02		A
147	R61 016 232		Solenoid valve block assy								W658176G06		A
148	R61 017 232		Solenoid valve block assy								W658176G07		A
149	R61 018 232		Solenoid valve block assy								W658178G03		A
150	R61 019 232		Solenoid valve block assy								W658178G04		A

CMB-P104,P105,P106,P108,P1010,P1013,P1016NU-G    EXTERNAL PARTS & FUNCTIONAL PARTS  
 CMB-P108,P1010,P1013,P1016NU-GA  
 CMB-P104,P108NU-GB

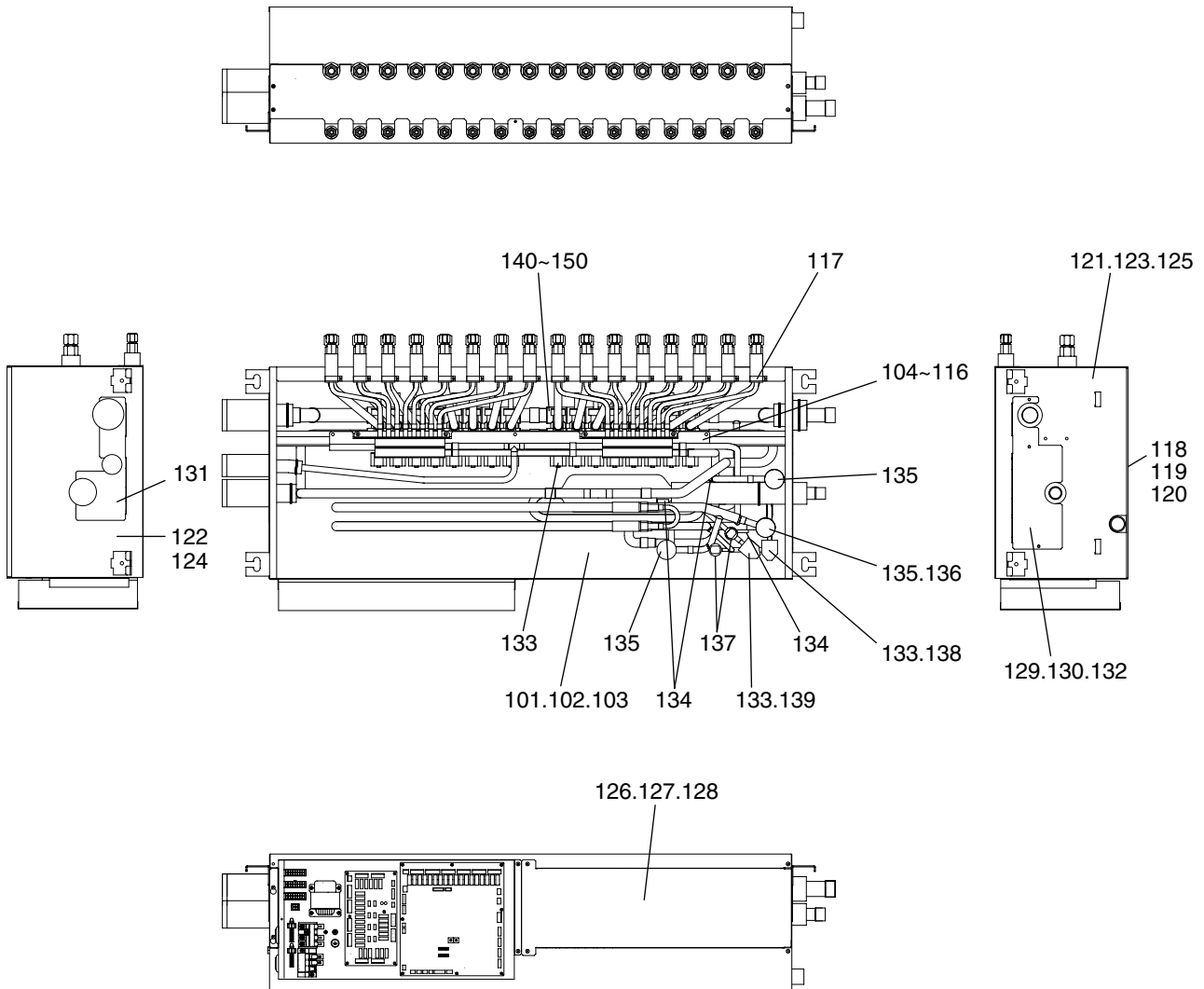


No.	Part No.	RoHS Compliant : G		Spec.	CMB-P1010NU-G	CMB-P1013NU-G	CMB-P1016NU-G			Dwg. No.	Price	Revision History
		Part Name										
101	R61 Y27 529	Drain pan			1					W663337G04		A
102	R61 Y28 529	Drain pan				1	1			W663337G05		A
103	R61 Y29 529	Drain pan								W663337G06		A
104	R61 Y02 125	Beam assy 4								W658110G06		
105	R61 Y03 125	Beam assy 5								W658110G07		
106	R61 Y04 125	Beam assy 6								W658110G08		
107	R61 Y05 125	Beam assy 8								W658110G09		
108	R61 Y06 125	Beam assy 10			1					W658110G10		
109	R61 Y07 125	Beam assy 13				1				W658112G05		
110	R61 Y08 125	Beam assy 16					1			W658112G06		

CMB-P104,P105,P106,P108,P1010,P1013,P1016NU-G    EXTERNAL PARTS & FUNCTIONAL PARTS  
 CMB-P108,P1010,P1013,P1016NU-GA  
 CMB-P104,P108NU-GB

No.	Part No.	RoHS Compliant : G		Spec.	CMB-P1010NU-G	CMB-P1013NU-G	CMB-P1016NU-G				Dwg. No.	Price	Revision History
			Part Name										
111	R61 Y09 125		Beam assy 8FA								W647173G13		
112	R61 Y10 125		Beam assy 10FA								W647173G14		
113	R61 Y11 125		Beam assy 13FA								W647173G15		
114	R61 Y12 125		Beam assy 16FA								W647173G16		
115	R61 Y13 125		Beam assy 4								W647171G11		
116	R61 Y14 125		Beam assy 8								W647171G12		
117	R63 H35 306	G	Fixture		10	13	16				W875562H01		A
118	R63 M77 653	G	Panel U F104		1						W646945H01		A
119	R63 M82 653	G	Panel U F1013			1	1				W646945H02		A
120	R63 M84 653	G	Panel U FA108								W646945H03		A
121	R61 Y17 652		Panel SL		1	1	1				W647659H02		A
122	R61 Y18 652		Panel SR		1	1	1				W648600H02		A
123	R61 Y39 652		Panel SL								W661883H02		A
124	R61 Y40 652		Panel SR								W661884H02		A
125	R61 Y41 652		Panel SL								W662535H02		A
126	R63 M77 690	G	Cover B F104		1						W893271H06		A
127	R63 M82 690	G	Cover B F1013			1	1				W893271H07		A
128	R63 M84 690	G	Cover B FA108								W893271H08		A
129	R63 M77 667	G	Cover L		1	1	1				W893273H01		A
130	R63 M84 667	G	Cover L								W893268H01		A
131	R63 M84 668	G	Cover R								W893269H01		A
132	R63 M88 668	G	Cover FB								W893270H01		A
133	R61 2A1 243		Solenoid valve coil		31	40	49				P472011X01		
134	R63 670 202	G	Thermistor	NTH3A14	4	4	4				P425496X01		A
135	R63 R23 401	G	Linear expansion valve	EDMA XH	2	2	2				P632413X02		A
136	R63 S38 401	G	Linear expansion valve	EDM4 XH							P632407X02		A
137	R63 R34 288	G	Pressure sensor		2	2	2				P418015X01		A
138	R61 Y07 232		Solenoid valve								P631291X01		
139	R63 4F3 232	G	Solenoid valve		1	1	1				P631290X01		A
140	R61 009 232		Solenoid valve block assy								W658176G01		A
141	R61 010 232		Solenoid valve block assy								W658176G02		A
142	R61 011 232		Solenoid valve block assy								W658176G03		A
143	R61 012 232		Solenoid valve block assy								W658176G04		A
144	R61 013 232		Solenoid valve block assy		1						W658176G05		A
145	R61 014 232		Solenoid valve block assy			1					W658178G01		A
146	R61 015 232		Solenoid valve block assy				1				W658178G02		A
147	R61 016 232		Solenoid valve block assy								W658176G06		A
148	R61 017 232		Solenoid valve block assy								W658176G07		A
149	R61 018 232		Solenoid valve block assy								W658178G03		A
150	R61 019 232		Solenoid valve block assy								W658178G04		A

CMB-P104,P105,P106,P108,P1010,P1013,P1016NU-G    EXTERNAL PARTS & FUNCTIONAL PARTS  
 CMB-P108,P1010,P1013,P1016NU-GA  
 CMB-P104,P108NU-GB



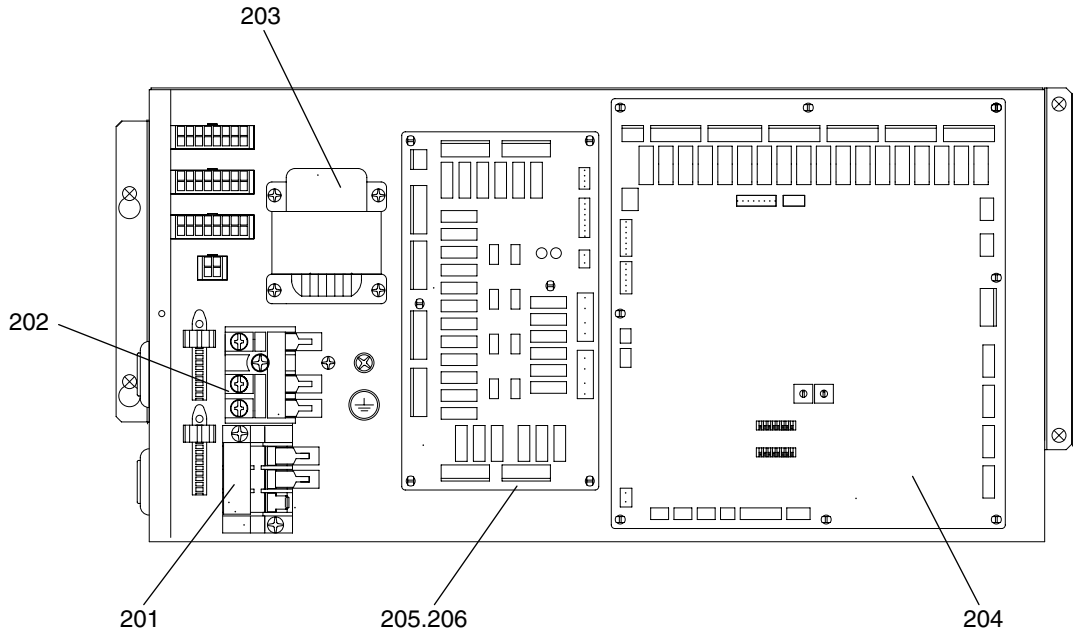
No.	Part No.	RoHS Compliant : G		Spec.	CMB-P108NU-GA	CMB-P1010NU-GA	CMB-P1013NU-GA	CMB-P1016NU-GA	CMB-P104NU-GB	CMB-P108NU-GB	Dwg. No.	Price	Revision History
		Part Name											
101	R61 Y27 529	Drain pan							1	1	W663337G04		A
102	R61 Y28 529	Drain pan									W663337G05		A
103	R61 Y29 529	Drain pan			1	1	1	1			W663337G06		A
104	R61 Y02 125	Beam assy 4									W658110G06		
105	R61 Y03 125	Beam assy 5									W658110G07		
106	R61 Y04 125	Beam assy 6									W658110G08		
107	R61 Y05 125	Beam assy 8									W658110G09		A
108	R61 Y06 125	Beam assy 10									W658110G10		
109	R61 Y07 125	Beam assy 13									W658112G05		
110	R61 Y08 125	Beam assy 16									W658112G06		

CMB-P104,P105,P106,P108,P1010,P1013,P1016NU-G    EXTERNAL PARTS & FUNCTIONAL PARTS  
 CMB-P108,P1010,P1013,P1016NU-GA  
 CMB-P104,P108NU-GB

No.	Part No.	RoHS Compliant : G		Spec.	CMB-P108NU-GA	CMB-P1010NU-GA	CMB-P1013NU-GA	CMB-P1016NU-GA	CMB-P104NU-GB	CMB-P108NU-GB	Dwg. No.	Price	Revision History
		Part Name											
111	R61 Y09 125	Beam assy 8FA			1						W647173G13		
112	R61 Y10 125	Beam assy 10FA				1					W647173G14		
113	R61 Y11 125	Beam assy 13FA					1				W647173G15		
114	R61 Y12 125	Beam assy 16FA						1			W647173G16		
115	R61 Y13 125	Beam assy 4							1		W647171G11		
116	R61 Y14 125	Beam assy 8								1	W647171G12		
117	R63 H35 306	G Fixture			8	10	13	16	4	8	W875562H01		A
118	R63 M77 653	G Panel U F104							1	1	W646945H01		A
119	R63 M82 653	G Panel U F1013									W646945H02		A
120	R63 M84 653	G Panel U FA108			1	1	1	1			W646945H03		A
121	R61 Y17 652	Panel SL									W647659H02		A
122	R61 Y18 652	Panel SR							1	1	W648600H02		A
123	R61 Y39 652	Panel SL			1	1	1	1			W661883H02		A
124	R61 Y40 652	Panel SR			1	1	1	1			W661884H02		A
125	R61 Y41 652	Panel SL							1	1	W662535H02		A
126	R63 M77 690	G Cover B F104							1	1	W893271H06		A
127	R63 M82 690	G Cover B F1013									W893271H07		A
128	R63 M84 690	G Cover B FA108			1	1	1	1			W893271H08		A
129	R63 M77 667	G Cover L									W893273H01		A
130	R63 M84 667	G Cover L			1	1	1	1			W893268H01		A
131	R63 M84 668	G Cover R			1	1	1	1			W893269H01		A
132	R63 M88 668	G Cover FB							1	1	W893270H01		A
133	R61 2A1 243	Solenoid valve coil			26	32	41	50	12	24	P472011X01		
134	R63 670 202	G Thermistor	NTH3A14		4	4	4	4	2	2	P425496X01		A
135	R63 R23 401	G Linear expansion valve	EDMA XH		3	3	3	3			P632413X02		A
136	R63 S38 401	G Linear expansion valve	EDM4 XH						1	1	P632407X02		A
137	R63 R34 288	G Pressure sensor			2	2	2	2			P418015X01		A
138	R61 Y07 232	Solenoid valve			1	1	1	1			P631291X01		
139	R63 4F3 232	G Solenoid valve			1	1	1	1			P631290X01		A
140	R61 009 232	Solenoid valve block assy							1		W658176G01		A
141	R61 010 232	Solenoid valve block assy									W658176G02		A
142	R61 011 232	Solenoid valve block assy									W658176G03		A
143	R61 012 232	Solenoid valve block assy								1	W658176G04		A
144	R61 013 232	Solenoid valve block assy									W658176G05		A
145	R61 014 232	Solenoid valve block assy									W658178G01		A
146	R61 015 232	Solenoid valve block assy									W658178G02		A
147	R61 016 232	Solenoid valve block assy			1						W658176G06		A
148	R61 017 232	Solenoid valve block assy				1					W658176G07		A
149	R61 018 232	Solenoid valve block assy					1				W658178G03		A
150	R61 019 232	Solenoid valve block assy						1			W658178G04		A



CMB-P104,P105,P106,P108,P1010,P1013,P1016NU-G CONTROL BOX PARTS  
 CMB-P108,P1010,P1013,P1016NU-GA  
 CMB-P104,P108NU-GB



No.	Part No.	RoHS Compliant : G		Spec.	CMB-P1010NU-G	CMB-P1013NU-G	CMB-P1016NU-G			Dwg. No.	Price	Revision History
			Part Name									
201	R63 Y02 715	G	Terminal block	3P,<TB01>	1	1	1			W834188H02		A
202	R63 979 247	G	Terminal block	<TB02>	1	1	1			P436110X01		A
203	R61 Y21 260		Transformer	230V/24.2V	1	1	1			P715355X01		
204	R61 2A1 280		Board assy	CMB	1	1	1			W266227G07		
205	R63 M80 280	G	Board assy	RELAY4-10	1					W629542G01		A
206	R63 M82 280	G	Board assy	RELAY10-16		1	1			W629543G01		A



