

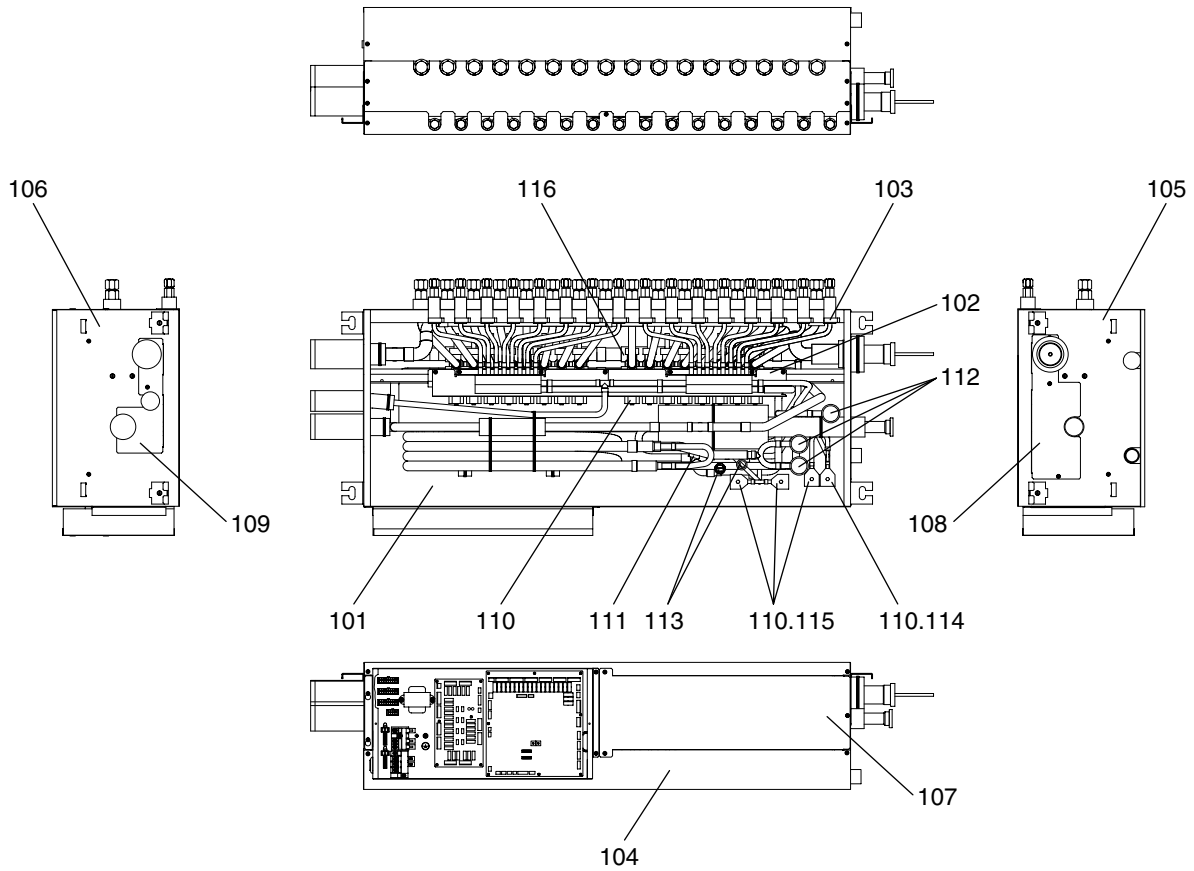
SERVICE PARTS LIST FOR MITSUBISHI ELECTRIC PACKAGED AIR-CONDITIONERS

Series : CMB

Feb. 2010

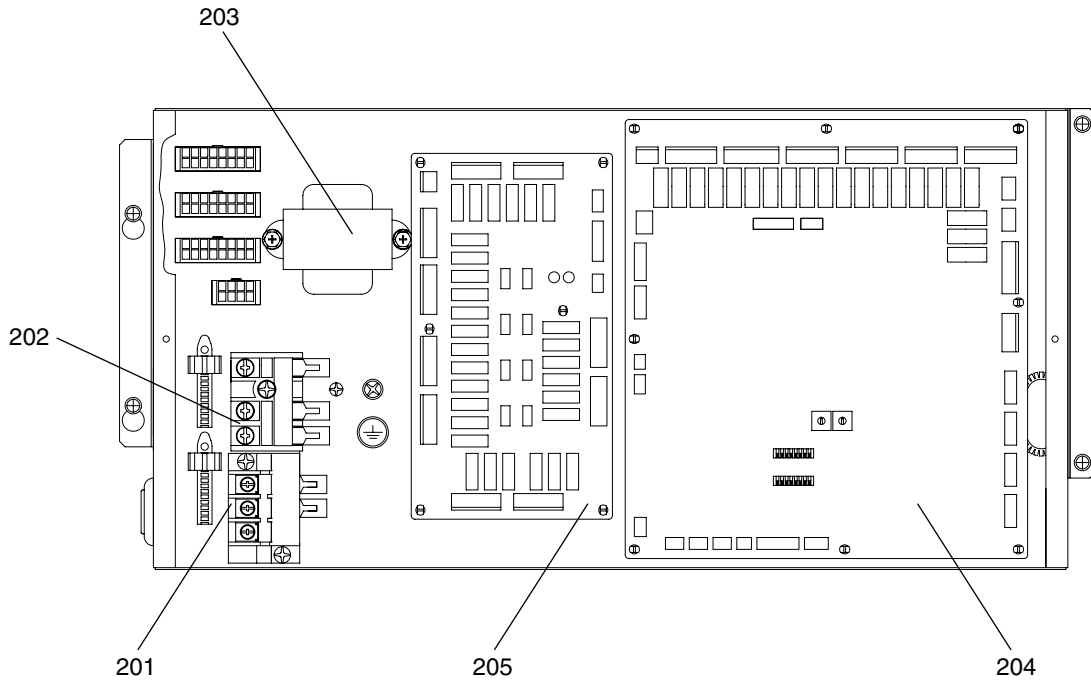
BWE10010

| |
|-----------------------|
| INDEX |
| CMB-P1016NU-HA |



| No. | Part No. | G : RoHS Apply Only W : RoHS Apply by Running Change | | Spec. | CMB-P1016NU-HA | | | | | Dwg. No. | Price | Revision History |
|-----|-------------|---|------------------------|--------------|----------------|--|--|--|--|-------------|-------|------------------|
| | | | Part Name | | | | | | | | | |
| 101 | R61 Y29 529 | W | Drain pan | | 1 | | | | | W663337G06 | | |
| 102 | R61 087 690 | G | Wire cover assy | 16NU-HA | 1 | | | | | KB00G916G09 | | |
| 103 | R63 H35 306 | G | Fixture | | 16 | | | | | W875562H01 | | |
| 104 | R63 M84 653 | G | Panel U | FA108 | 1 | | | | | W646945H03 | | |
| 105 | R61 027 652 | G | Panel SL | | 1 | | | | | KD02C627H01 | | |
| 106 | R61 028 652 | G | Panel SR | | 1 | | | | | W661884H03 | | |
| 107 | R63 M84 690 | G | Cover B | FA108 | 1 | | | | | W893271H08 | | |
| 108 | R61 023 690 | G | Cover L | | 1 | | | | | KB02H388H01 | | |
| 109 | R63 M84 668 | G | Cover R | | 1 | | | | | W893269H01 | | |
| 110 | R61 2A1 243 | W | Solenoid valve coil | | 52 | | | | | P472011X01 | | |
| 111 | R61 060 200 | G | Thermistor | | 4 | | | | | P418065X01 | | |
| 112 | R61 008 401 | G | Linear expansion valve | EFM-A0YGMD-1 | 3 | | | | | P632458X01 | | |
| 113 | R63 R34 288 | G | Pressure sensor | HP R410A | 2 | | | | | P418015X01 | | |
| 114 | R63 Y07 232 | G | Solenoid valve | ATS-A | 1 | | | | | P631291X01 | | |
| 115 | R63 4F3 232 | G | Solenoid valve | ATS-C | 3 | | | | | P631290X01 | | |
| 116 | | | Solenoid valve | | 1 | | | | | | | |
| | | | | | | | | | | | | |
| | | | | | | | | | | | | |
| | | | | | | | | | | | | |

<Note> The number 116 do not set service parts.
Because, the quality securing of them when exchanging parts is difficult.



| No. | Part No. | G : RoHS Apply Only W : RoHS Apply by Running Change | | Spec. | CMB-P1016NU-HA | | | | | Dwg. No. | Price | Revision History |
|-----|-------------|---|----------------|------------|----------------|--|--|--|--|------------|-------|------------------|
| | | | Part Name | | | | | | | | | |
| 201 | R63 Y02 715 | G | Terminal block | | 1 | | | | | W834188H02 | | |
| 202 | R63 979 247 | G | Terminal block | | 1 | | | | | P436238X01 | | |
| 203 | R61 027 260 | G | Transformer | 230V/22.7 | 1 | | | | | P715463X01 | | |
| 204 | R63 044 280 | G | Board assy | BC-M01 | 1 | | | | | W266227G08 | | |
| 205 | R63 M82 280 | G | Board assy | RELAY10-16 | 1 | | | | | W629543G01 | | |
| | | | | | | | | | | | | |
| | | | | | | | | | | | | |
| | | | | | | | | | | | | |
| | | | | | | | | | | | | |

