

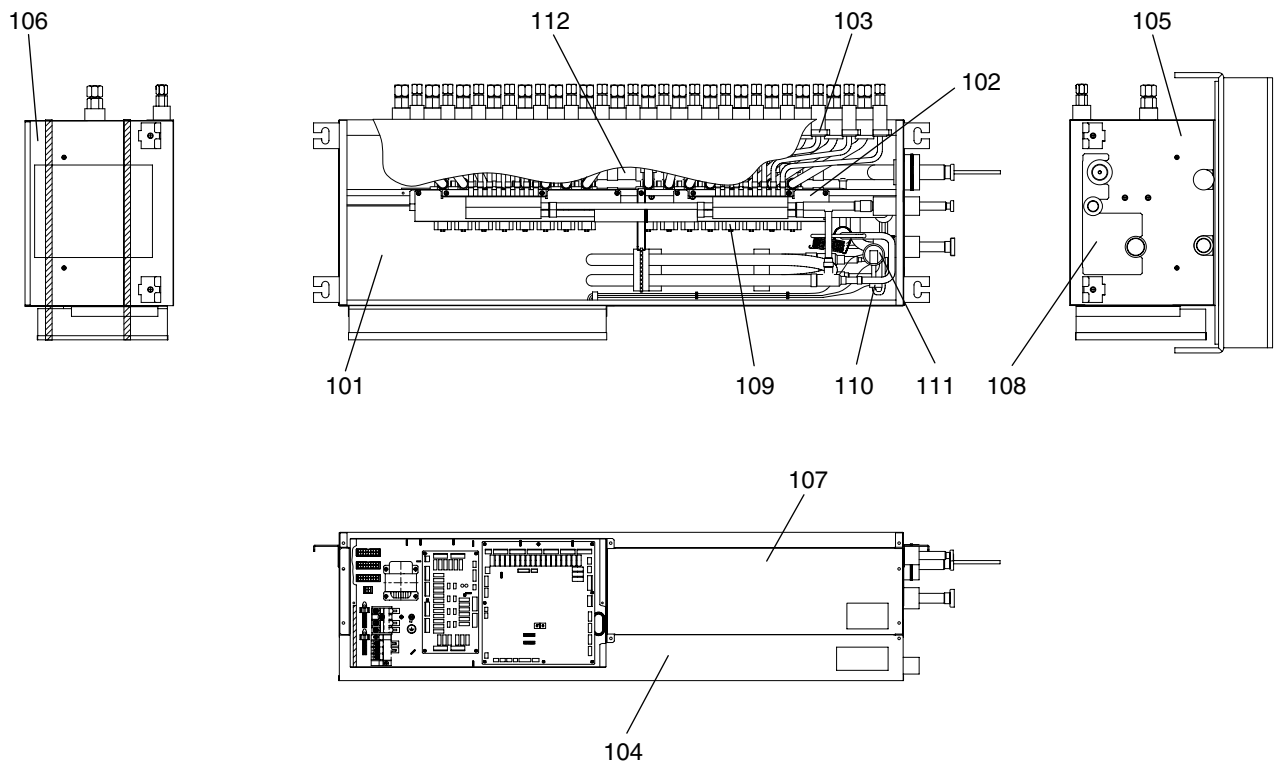
SERVICE PARTS LIST FOR MITSUBISHI ELECTRIC PACKAGED AIR-CONDITIONERS

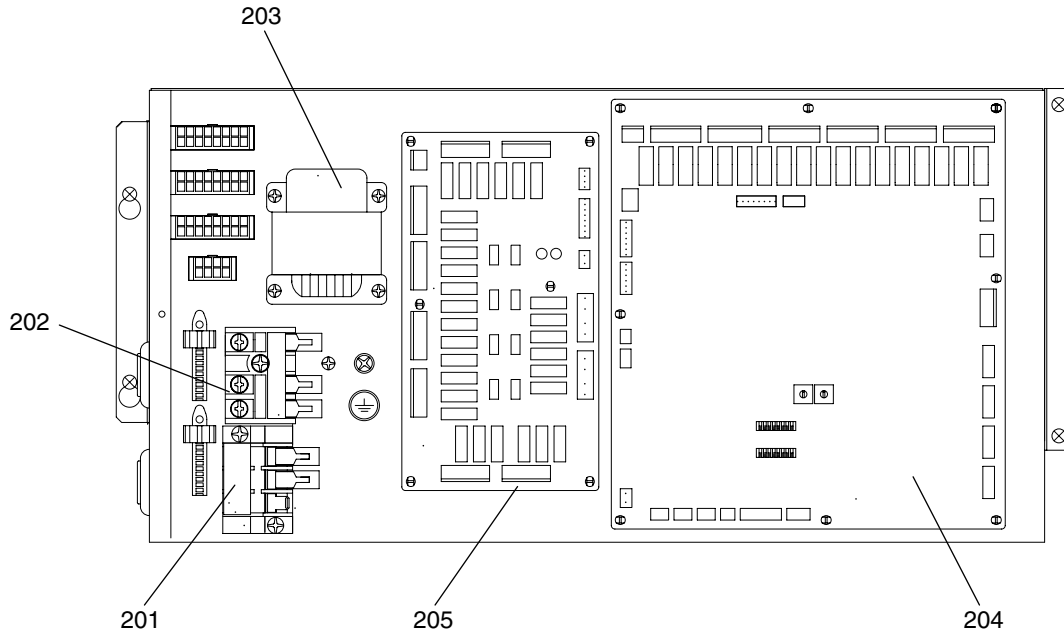
Series : CMB

June 2008

BWE08040

INDEX
CMB-P1016NU-HB





No.	Part No.	G : RoHS Apply Only W : RoHS Apply by Running Change		Spec.	CMB-P1016NU-HB					Dwg. No.	Price	Revision History
			Part Name									
201	R63 Y02 715	G	Terminal block		1					W834188H02		
202	R63 979 247	G	Terminal block		1					P436110X01		
203	R61 Y21 260	W	Transformer	230V/24.2V	1					P715355X01		
204	R63 044 280	G	Board assy	BC-M01	1					W266227G08		
205	R63 M82 280	G	Board assy	RELAY10-16	1					W629543G01		

