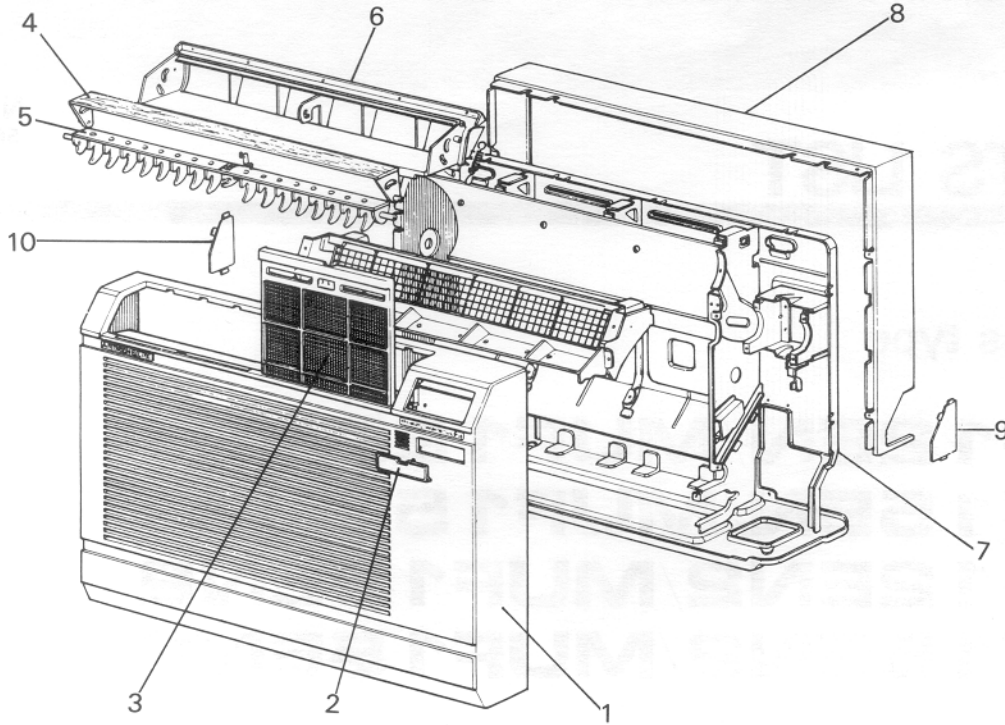


PARTS LIST

STRUCTURAL PARTS

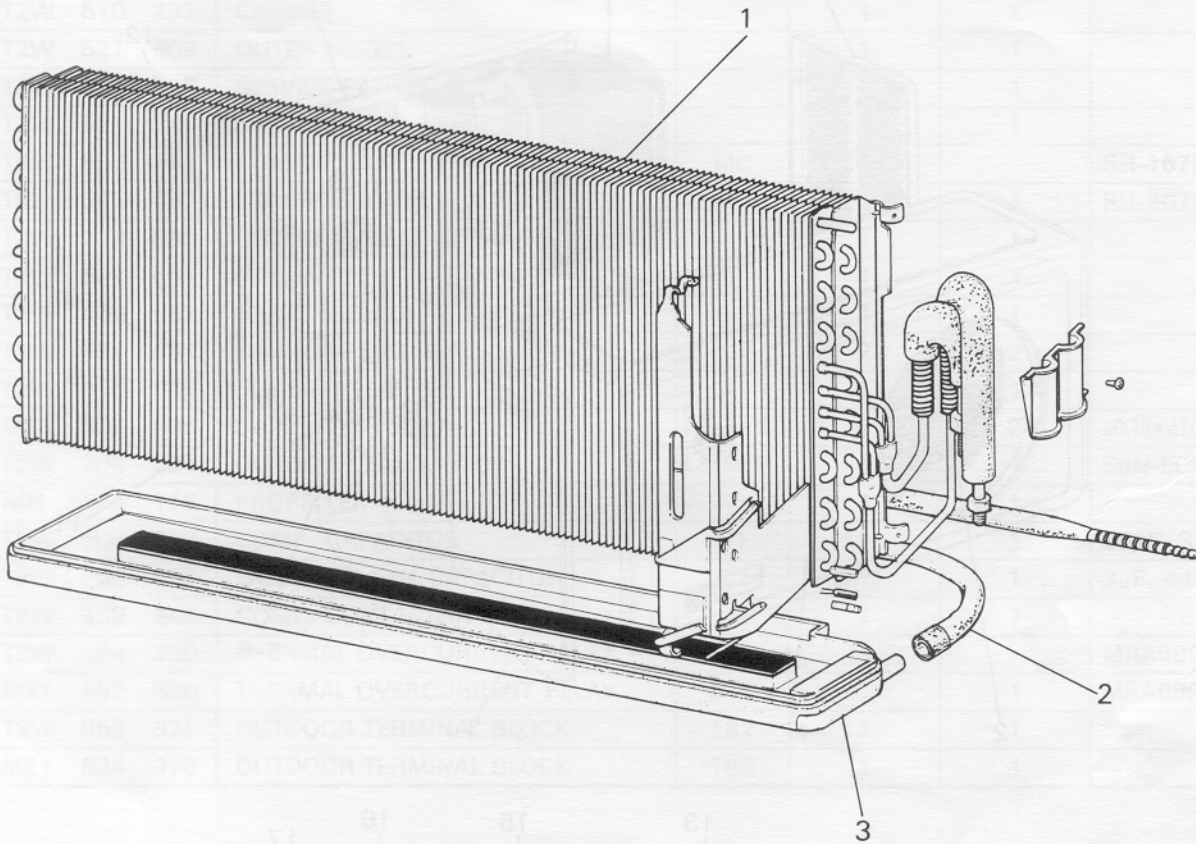
MF12EN/MF12EN2

MF15EN/MF15EN2



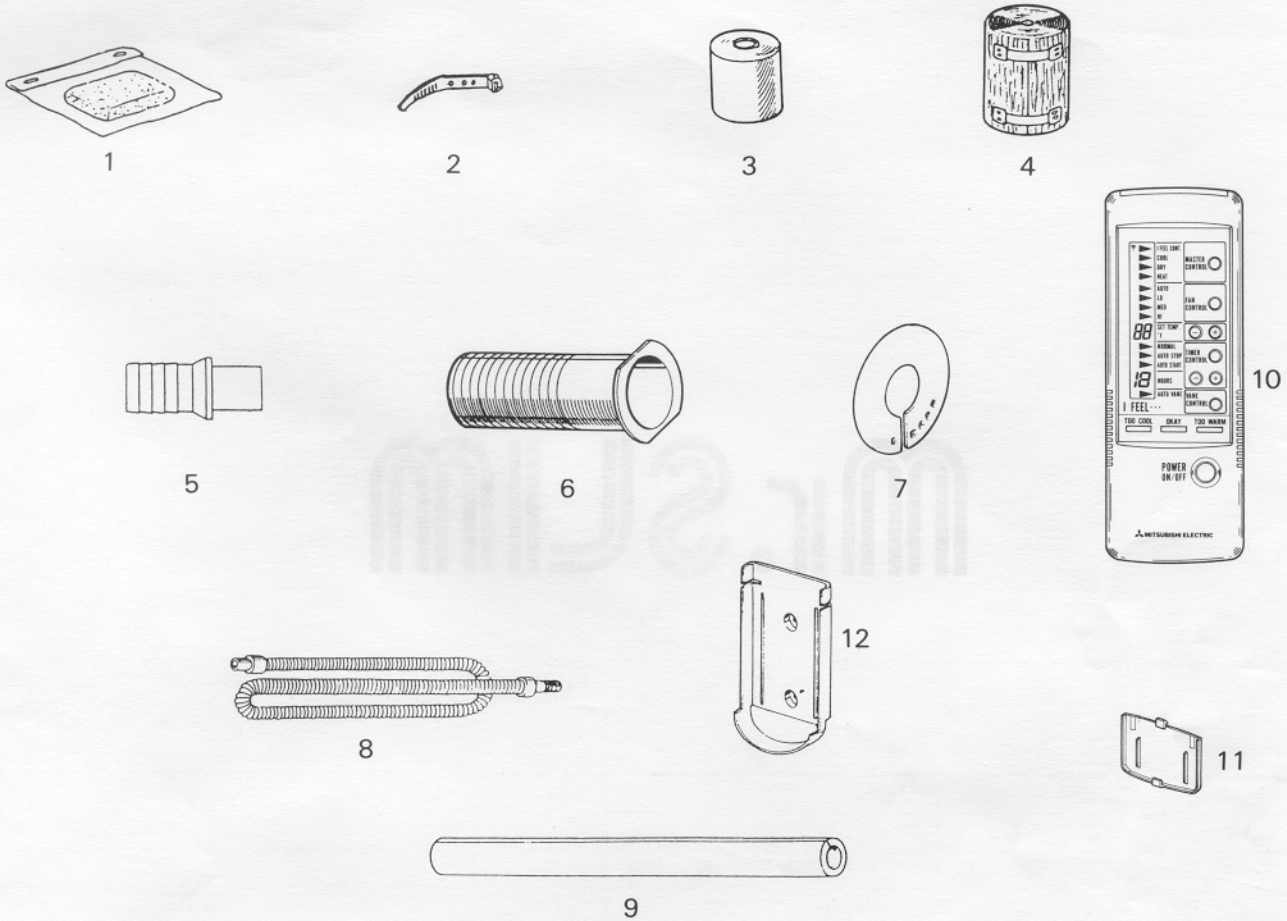
No.	Parts No.	Parts Name	Symbol in Skeleton wiring Diagram	Q'ty/unit		Remarks
				MF12EN MF12EN2	MF15EN MF15EN2	
1	T2W 607 000	FRONT PANEL ASSEMBLY (W)		1	1	
2	M21 K50 004	DOOR (W)		1	1	
3	M21 K50 100	FILTER (W)		2	2	
4	M21 K50 040	CHANGE VANE		1	1	
5	M21 K50 045	LOUVER		1	1	
6	M21 K50 235	NOZZLE ASSEMBLY (W)		1	1	
7	T2W 811 290	BASE ASSEMBLY		1	1	
8	T2W 615 234	CABINET ASSEMBLY		1	1	
9	M21 K50 976	PIPE COVER (R)		1	1	
10	M21 K50 975	PIPE COVER (L)		1	1	

HEAT EXCHANGER
MF12EN/MF12EN2
MF15EN/MF15EN2



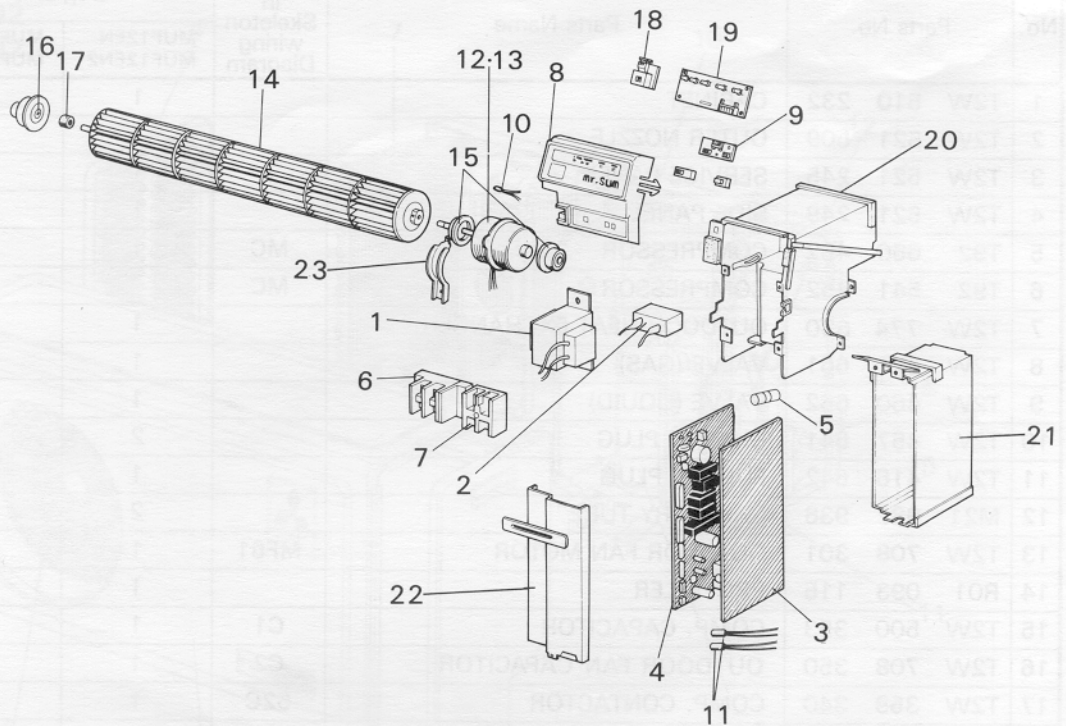
No.	Parts No.	Parts Name	Symbol in Skeleton wiring Diagram	Q'ty/unit		Remarks
				MF12EN MF12EN2	MF15EN MF15EN2	
1	T2W 811 620	INDOOR HEAT EXCHANGER		1		
	T2W 812 620	INDOOR HEAT EXCHANGER			1	
2	M21 K50 703	DRAIN HOSE		1	1	
3	T2W 811 700	DRAIN PAN		1	1	

ACCESSORY PARTS
MF12EN/MF12EN2
MF15EN/MF15EN2



No.	Parts No.	Parts Name	Symbol in Skeleton wiring Diagram	Q'ty/unit		Remarks
				MF12EN/MF12EN2	MF15EN/MF15EN2	
1	M21 478 919	PUTTY		1		
2	M21 480 708	PIPE FIXING BAND		3		
3	M21 478 917	PIPING TAPE		1		
4	M21 K50 256	FELT TAPE		1		
5	M21 K50 709	DRAIN JOINT		1		
6	M21 K50 977	WALL HOLE SLEEVE		1		
7	M21 480 973	WALL HOLE COVER		1		
8	M21 480 703	DRAIN HOSE		1		
9	M21 J67 910	PIPE COVER		1		
10	T2W 679 426	REMOTE CONTROLLER		1		
11	M21 N28 017	BATTERY COVER		1		
12	M21 N28 083	REMOTE CONTROLLER HOLDER		1		

ELECTRICAL PARTS
MF12EN/MF12EN2
MF15EN/MF15EN2



No.	Parts No.	Parts Name	Symbol in Skeleton wiring Diagram	Q'ty/unit		Remarks
				MF12EN MF12EN2	MF15EN MF15EN2	
1	T2W 811 339	TRANSFORMER	T	1	1	
2	T2W 635 350	INDOOR FAN CAPACITOR	C	1	1	4 μ F 220V
3	T2W 811 450	ELECTRONIC CONTROL P.C. BOARD		1	1	
4	T2W 811 440	POWER P.C. BOARD		1	1	
5	T2W 800 382	FUSE	F11	1	1	2A
6	T2W 811 375	TERMINAL BLOCK	TB1	1	1	
7	M21 534 375	TERMINAL BLOCK	TB2	1	1	
8	T2W 608 781	SWITCH PANEL		1	1	
9	T2W 811 329	SWITCH P.C. BOARD		1	1	
10	M21 N76 307	ROOM TEMP. THERMISTOR	RT11	1	1	
11	T2W 811 307	INDOOR COIL THERMISTOR	RT12, RT14	2	2	
12	T2W 811 300	INDOOR FAN MOTOR	MF	1		RA4W23-BE
13	T2W 812 300	INDOOR FAN MOTOR	MF		1	RA4W23-CE
14	T2W 615 302	LINE FLOW FAN		1	1	
15	T2W 607 505	FAN MOTOR RUBBER MOUNT		2	2	
16	M21 B00 509	BEARING MOUNT		1	1	
17	M21 B00 504	BEARING (SLEEVE)		1	1	
18	M21 N00 468	RECEIVER P.C. BOARD		1	1	
19	T2W 811 446	DISPLAY P.C. BOARD		1	1	
20	T2W 811 081	ELECTRICAL BOX (UPPER)		1	1	
21	T2W 811 082	ELECTRICAL BOX (LOWER)		1	1	
22	T2W 811 083	ELECTRICAL COVER		1	1	
23	T2W 811 515	MOTOR BAND		1	1	