

SPLIT-TYPE AIR CONDITIONERS

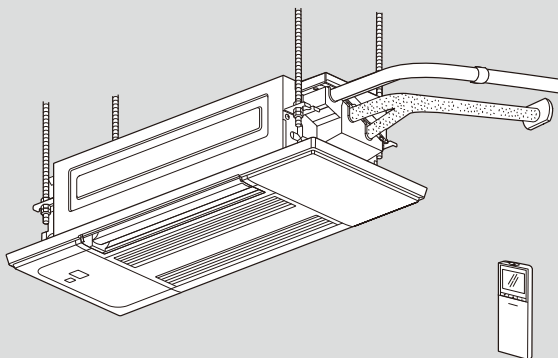
INDOOR UNIT

No. OBB922

PARTS CATALOG

Models

MLZ-KY06NA - U1



CONTENTS

1. SERVICE PARTS LIST	2
2. OPTIONAL PARTS	6

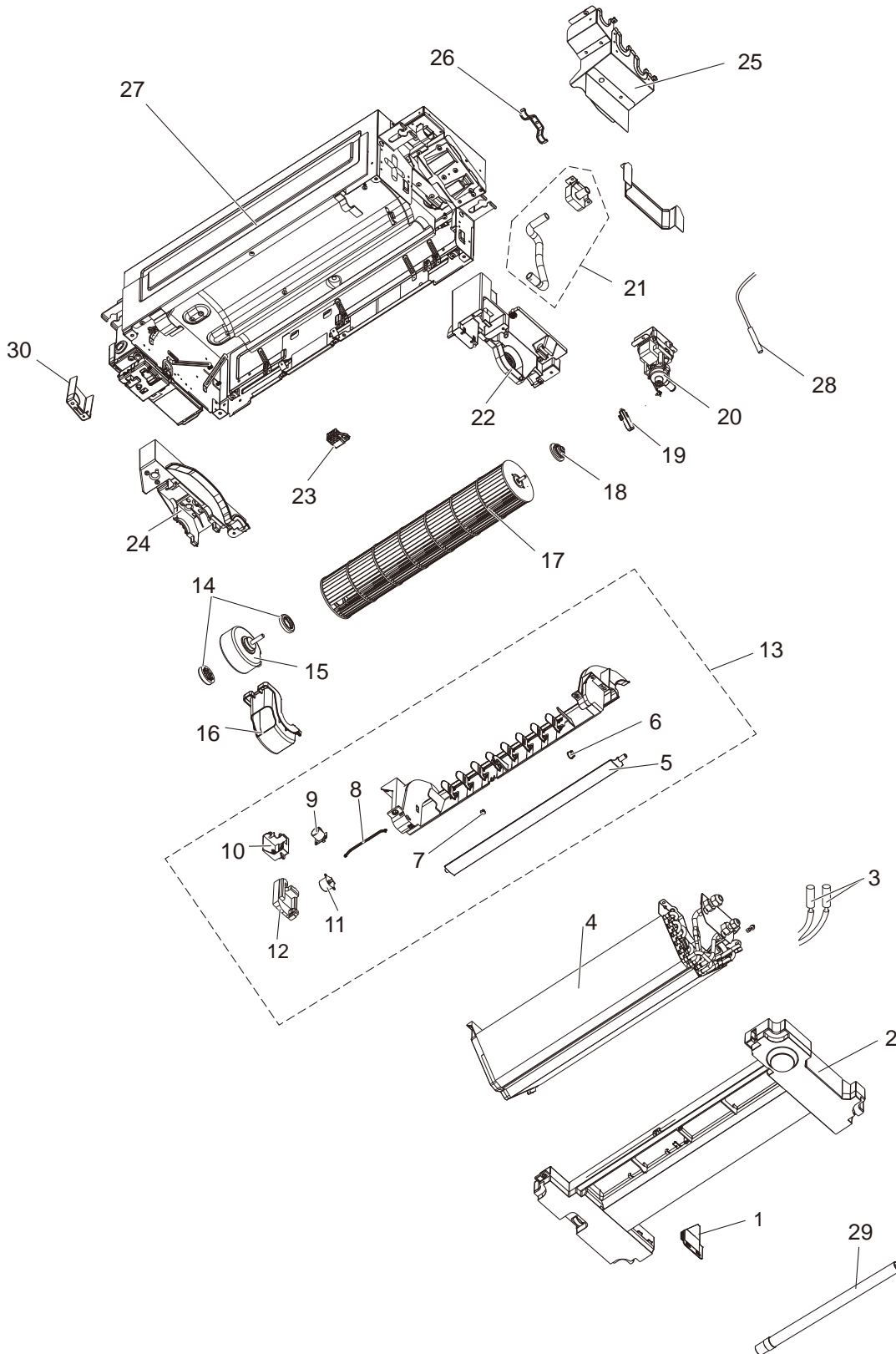
SERVICE MANUAL (OBH922)

1

SERVICE PARTS LIST

MLZ-KY06NA

1-1. INDOOR UNIT STRUCTURAL PARTS AND FUNCTIONAL PARTS



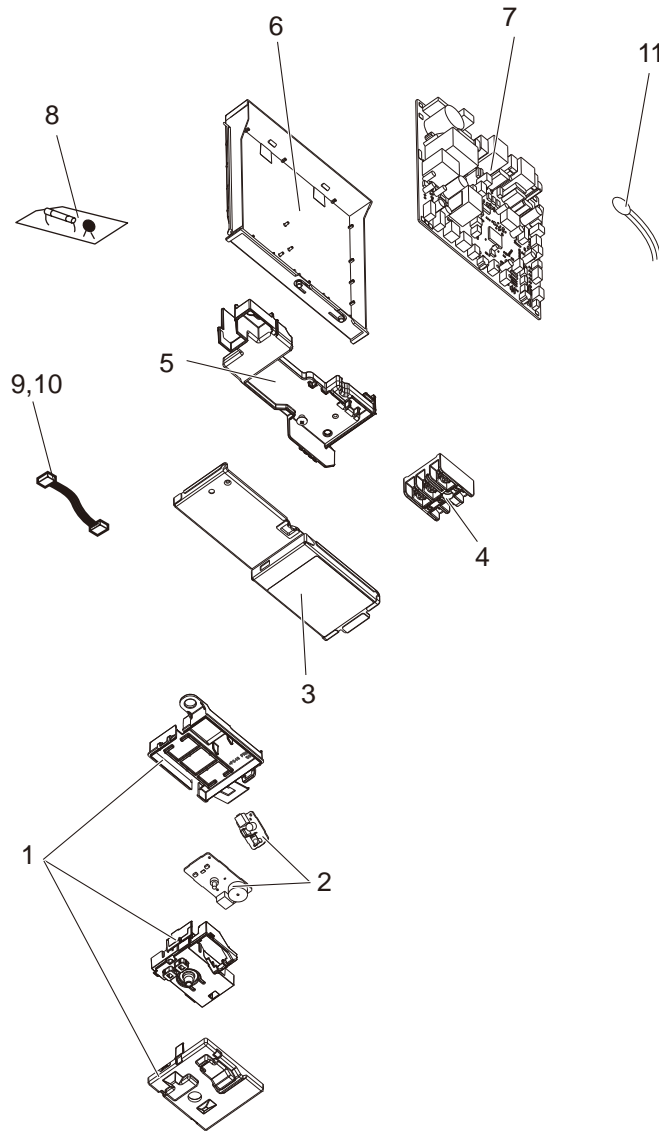
1-1. INDOOR UNIT STRUCTURAL PARTS AND FUNCTIONAL PARTS

1. The part quantity below indicates the required number of pieces per unit.
2. The circled No. indicates that the part is not shown in the figure.

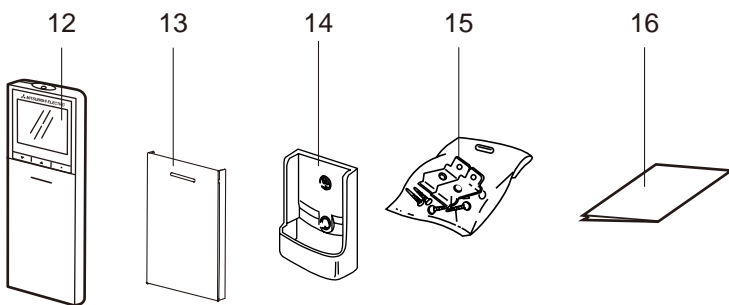
No.	Part No.	Part Name	MLZ-KY06NA - U1	Symbol in Wiring Diagram	Remarks
1	—	MOTOR GUARD	1		DK25G404G02
2	M21 EA1 700	DRAIN PAN ASSEMBLY	1		
3	M21 EBE 307	COIL TEMPERATURE THERMISTOR	1	RT12, RT13	
4	M21 EG0 620	INDOOR HEAT EXCHANGER	1		
5	M21 EAG 040	VANE	1		
6	M21 EA0 071	VANE SLEEVE	1		
7	M21 EA1 071	VANE SLEEVE C	1		
8	M21 L9V 915	CLANK	1		
9	M21 L9V 306	VERTICAL VANE MOTOR	1	MV2	
10	M21 T0T 953	VANE MOTOR SUPPORT	1		
11	M21 EAL 306	HORIZONTAL VANE MOTOR	1	MV1	
12	M21 T0T 980	CUSION	1		
13	M21 EAC 279	STABILIZER ASSEMBLY	1		
14	M21 L9V 505	R MOUNT	1		
15	M21 EF5 300	MOTOR ASSEMBLY	1	MF	RC0J30-□□
16	M21 T0T 024	MOTOR BAND	1		
17	M21 EBA 302	LINE FLOW FAN ASSEMBLY	1		
18	M21 L4V 504	BEARING	1		
19	M21 T0T 310	DRAIN SENSOR HOLDER	1		
20	M21 EA6 303	DRAIN PUMP ASSEMBLY	1	DP	
21	M21 EAH 703	DRAIN PIPE ASSEMBLY	1		
22	—	BEARING HOLDER ASSEMBLY	1		SQ00B407G01
23	—	ROOM THERMISTOR HOLDER	1		DY25C128G01
24	—	MOTOR HOLDER ASSEMBLY	1		SQ00B408G01
25	M21 EA1 711	DRAIN COVER ASSEMBLY	1		
26	M21 L9V 708	PIPE BAND	1		
27	—	CABINET ASSEMBLY	1		DK00Y354G12
28	M21 EAA 312	DRAIN SENSER	1	DS	
29	M21 EAE 703	DRAIN HOSE ASSEMBLY	1		
30	—	CONDUIT PLATE	1		DY02C582G01
③①	—	PIPE BED PLATE	1		DT02C894H02
③②	—	LEAD ASSEMBLY	1		DG00T653G01 (For DRAIN PUMP)
③③	—	LEAD ASSEMBLY	1		DG00T654G01 (For DRAIN SENSER)
③④	—	LEAD ASSEMBLY	1		DQ00R319G02 (For VANE MOTOR)

MLZ-KY06NA

1-2. INDOOR UNIT ELECTRICAL PARTS AND FUNCTIONAL PARTS



1-3. ACCESSORY AND REMOTE CONTROLLER



OBB922

1-2. INDOOR UNIT ELECTRICAL PARTS AND FUNCTIONAL PARTS

1. The part quantity below indicates the required number of pieces per unit.

No.	Part No.	Part Name	MLZ-KY06NA - U1	Symbol in Wiring Diagram	Remarks
1	M21 EA0 781	DISPLAY LEAD COVER	1		
2	T2W EA8 326	DISPLAY RECEIVER P.C. BOARD ASSEMBLY	1		
3	—	DISPLAY COVER	1		DY00C586G06
4	M21 EBD 375	TERMINAL BED	1	TB	
5	—	TB BASE	1		JQ25B367G02
6	M21 L9V 784	PB BOX	1		
7	T2W FGP 450	INDOOR CONTROLLER	1		
8	M21 EAC 313	FUSE VARISTOR SET	1	F11, NR11	
9	—	LEAD ASSEMBLY	1		SM78G921G02 (For DISPLAY RECEIVER P.C. BOARD)
10	—	LEAD ASSEMBLY	1		BT78G941G04 (For TERMINAL BED)
11	M21 EAH 307	ROOM TEMPERATURE THERMISTOR	1	RT11	

1-3. ACCESSORY AND REMOTE CONTROLLER

1. The part quantity below indicates the required number of pieces per unit.

No.	Part No.	Part Name	MLZ-KY06NA - U1	Symbol in Wiring Diagram	Remarks
12	T2W EGL 426	REMOTE CONTROLLER	1		SH21C
13	M21 EAK 017	SLIDE COVER	1		
14	M21 EAA 083	REMOTE CONTROLLER HOLDER	1		
15	M21 EA6 250	SCREW ASSEMBLY	1		
16	M21 EMN 199	IB ASSEMBLY	1		

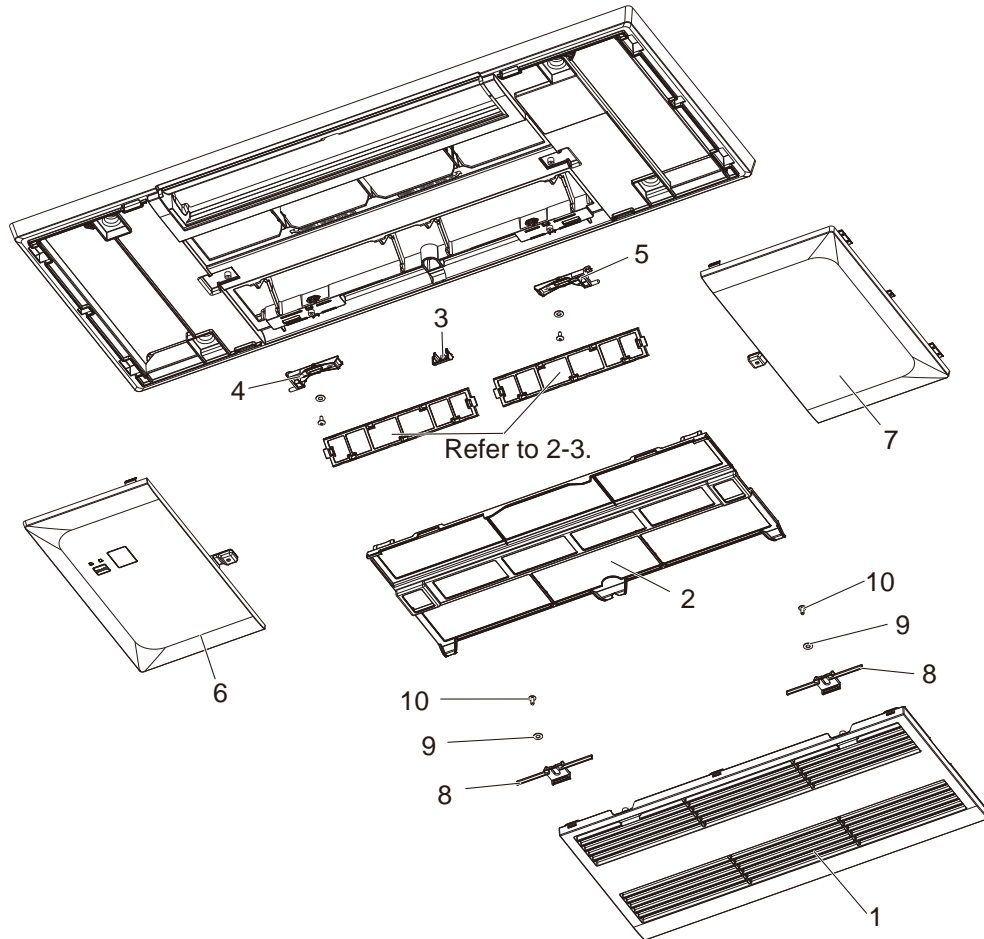
2

OPTIONAL PARTS

MLZ-KY06NA

2-1. GRILLE

MLP-448WU: MLZ-KY06NA - U1



1. The part quantity below indicates the required number of pieces per unit.

2. The circled No. indicates that the part is not shown in the figure.

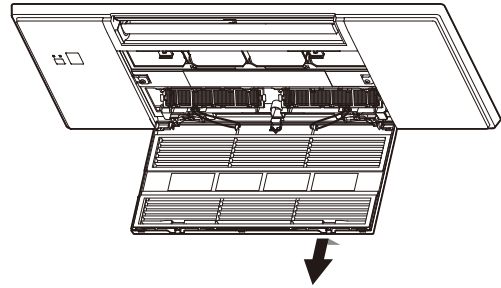
No.	Part No.	Part Name	MLP-448WU	Symbol in Wiring Diagram	Remarks
1	T2W EDD 010	GRILLE	1		
2	T2W EC7 100	FILTER	1		
3	T2W EB0 067	SCREW CAP	1		
4	M21 EA0 054	GRILLE SHAFT L	1		
5	M21 EA1 054	GRILLE SHAFT R	1		
6	T2W EAA 975	SIDE PANEL L	1		
7	T2W EAE 975	SIDE PANEL R	1		
8	M21 EAC 049	GRILLE KONB(W)	2		
9	—	WASHER	2		Z006Z051H07
10	—	SCREW	2		Z004Z015H37
⑪	M21 EA9 250	SCREW SET	1		Fixing screws for M5 x 16 mm (6pcs) Self-tapping screws for 4 x 12 mm (1pc)

2-2. AIR FILTER (AIR PURIFYING FILTER)

- Clean every 2 weeks
- Remove dirt by a vacuum cleaner, or rinse with water.
- Dry it well in shade before installing it.
- Install the tabs into the intake grille hole.

NOTE:

- Clean the filters regularly for best performance and to reduce power consumption.
- Dirty filters cause condensation in the air conditioner which will contribute to the growth of fungi such as mold.



2-3. AIR CLEANING FILTER (ANTI-ALLERGY ENZYME FILTER, OPTION)

Back side of air filter

Clean every 3 months:

- Remove dirt by a vacuum cleaner.

When dirt cannot be removed by vacuum cleaning:

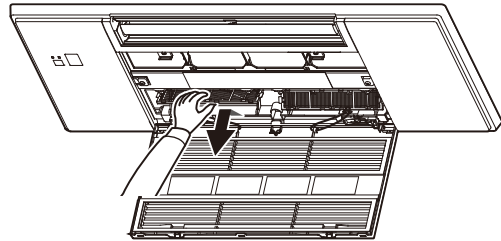
- Soak the filter and its frame in lukewarm water before rinsing it.
(Diluted mild detergents can be used when dirt cannot be removed.)
- After washing, dry it well in shade.

Every year:

- Replace it with a new air cleaning filter for best performance.

NOTE:

- Clean the filters regularly for best performance and to reduce power consumption.



ANTI-ALLERGY ENZYME FILTER

Model	Part No.
MLZ-KY06NA - U1	MAC-408FT-E

MITSUBISHI ELECTRIC CORPORATION

HEAD OFFICE: TOKYO BUILDING, 2-7-3, MARUNOUCHI, CHIYODA-KU, TOKYO 100-8310, JAPAN