

Revision G:

• MUZ-GL09/12/15NA(H)-U2 and
MUY-GL09/12/15NA-U2 have been added.

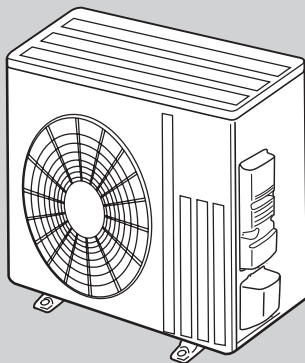
OBB733 REVISED EDITION-F is void.

OUTDOOR UNIT PARTS CATALOG

No. OBB733
REVISED EDITION-G

Models

MUZ-GL09NA · <u>U1</u> , <u>U2</u> , <u>U8</u>	MUZ-GL09NAH · <u>U1</u> , <u>U2</u> , <u>U8</u>	MUY-GL09NA · <u>U1</u> , <u>U2</u>
MUZ-GL12NA · <u>U1</u> , <u>U2</u>	MUZ-GL12NAH · <u>U1</u> , <u>U2</u>	MUY-GL12NA · <u>U1</u> , <u>U2</u>
MUZ-GL15NA · <u>U1</u> , <u>U2</u>	MUZ-GL15NAH · <u>U1</u> , <u>U2</u>	MUY-GL15NA · <u>U1</u> , <u>U2</u>
MUZ-GL18NA · <u>U1</u>	MUZ-GL18NAH · <u>U1</u>	MUY-GL18NA · <u>U1</u>
MUZ-GL24NA · <u>U1</u> , <u>U2</u>	MUZ-GL24NAH · <u>U1</u>	MUY-GL24NA · <u>U1</u>



MUZ-GL18/24NA
MUZ-GL18/24NAH
MUY-GL18/24NA

CONTENTS

1. SERVICE PARTS LIST.....	2
2. OPTIONAL PARTS.....	10

SERVICE MANUAL (OBH733)

Revision A:

- MUZ-GL12/15NA-U1, MUZ-GL12/15NAH-U1 and MUY-GL09/12/15NA-U1 have been added.

Revision B:

- MUZ-GL09NA-U8 and MUZ-GL09NAH-U8 have been added.

Revision C:

- MUZ-GL09NA-U1 and MUZ-GL09NAH-U1 have been added.

Revision D:

- MUZ-GL24NAH-U1 has been added.

Revision E:

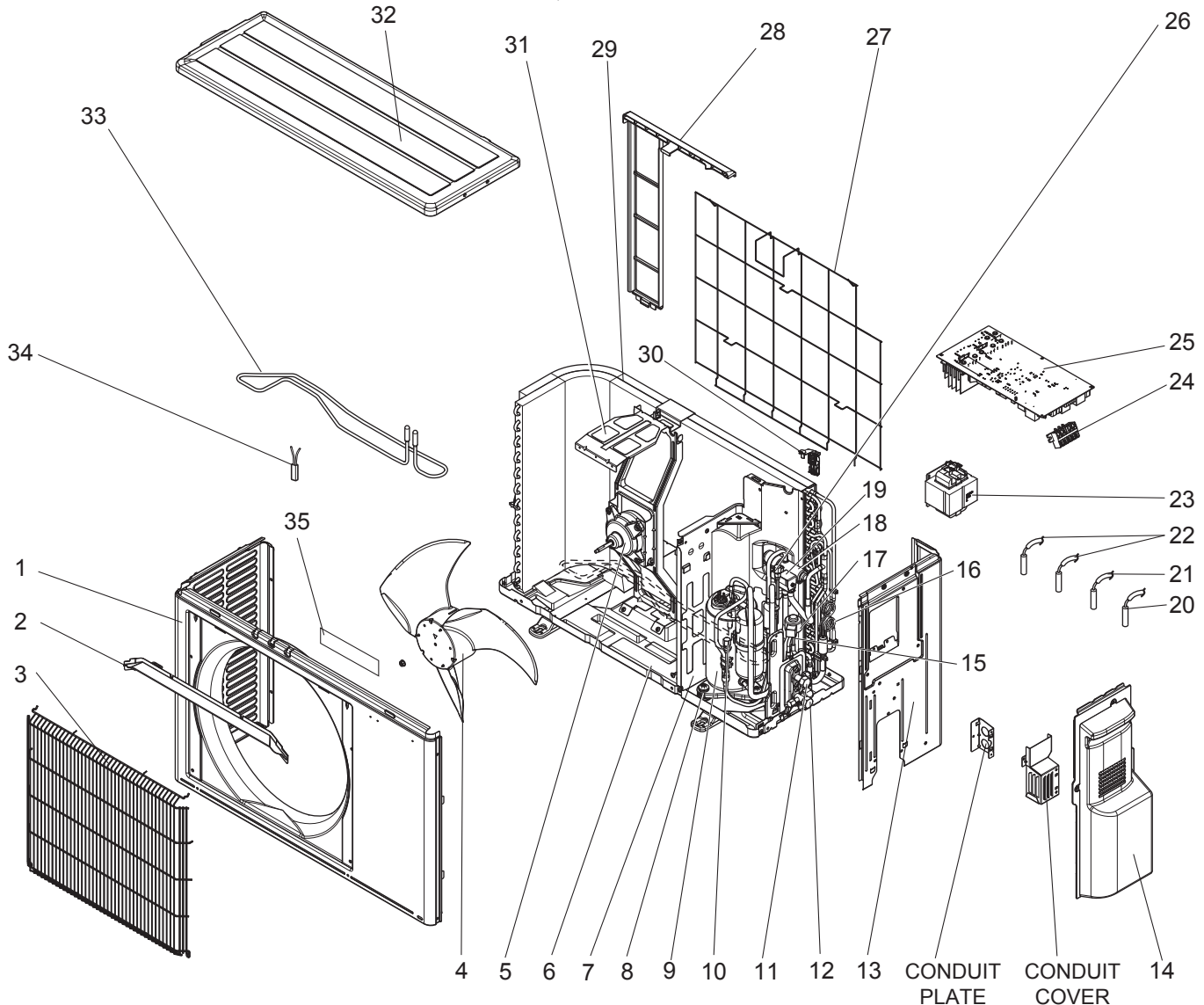
- Parts number of the outdoor heat exchanger temperature thermistor and the discharge temperature thermistor for MUY-GL18NA-U1 have been changed.

Revision F:

- MUZ-GL24NA-U2 has been added.

Revision G:

- MUZ-GL09/12/15NA(H)-U2 and MUY-GL09/12/15NA-U2 have been added.

1**SERVICE PARTS LIST**MUZ-GL09NA - U1, U8MUZ-GL09NAH - U1, U8MUY-GL09NA - U1MUZ-GL12NA - U1MUZ-GL12NAH - U1MUY-GL12NA - U1MUZ-GL15NA - U1MUZ-GL15NAH - U1MUY-GL15NA - U1**1-1. OUTDOOR UNIT STRUCTURAL PARTS, ELECTRICAL PARTS AND FUNCTIONAL PARTS**

1-1. OUTDOOR UNIT STRUCTURAL PARTS, ELECTRICAL PARTS AND FUNCTIONAL PARTS

Part number that is circled is not shown in the illustration.

No.	Part No.	Part Name	Symbol in Wiring Diagram	Q'ty/unit									Remarks		
				MUZ-GL						MUY-GL					
				09 NA	09 NAH	09 NA	09 NAH	12 NA	12 NAH	15 NA	15 NAH	09 NA		12 NA	15 NA
				- [U1]	- [U1]	- [U8]	- [U8]	- [U1]	- [U1]	- [U1]	- [U1]	- [U1]	- [U1]	- [U1]	
1	U01 A01 232	CABINET		1	1	1	1	1	1	1	1	1	1	1	
2	U01 A01 531	ICE GUARD		1	1	1	1	1	1	1	1	1	1	1	
3	U01 A01 521	GRILLE		1	1	1	1	1	1	1	1	1	1	1	
4	U01 A01 501	PROPELLER FAN		1	1	1	1	1	1	1	1	1	1	1	
5	U01 A01 301	OUTDOOR FAN MOTOR	MF	1	1	1	1	1	1	1	1	1	1	1	RC0J55-□□
6	U01 A02 290 U01 A01 290	BASE		1	1	1	1	1	1	1	1	1	1	1	
7	U01 A02 293 U01 A01 293	SEPARATOR		1	1	1	1	1	1	1	1	1	1	1	
8	U01 A01 506	COMP. RUBBER SET		3	3	3	3	3	3	3	3	3	3	3	3 RUBBERS/SET
9	U01 A03 900	COMPRESSOR (KNB073FRVMC)	MC	1	1							1			KNB073FRVMC
	U01 A01 900	COMPRESSOR (SNB092FQAMT)					1	1	1	1			1		SNB092FQAMT
	U01 A04 900	COMPRESSOR (SNB130FQBMT)									1	1		1	SNB130FQBMT
10	U01 A01 641	SERVICE PORT (L)		1	1	1	1	1	1	1	1	1	1	1	
11	U01 A01 662	STOP VALVE (LIQ)		1	1	1	1	1	1	1	1	1	1	1	ø1/4 (ø6.35)
12	U01 A02 661 U01 A01 661	STOP VALVE (GAS)		1	1	1	1	1	1	1	1	1	1	1	ø1/2 (ø12.7) ø3/8 (ø9.52)
13	U01 A01 233	BACK PANEL		1	1	1	1	1	1	1	1	1	1	1	
14	U01 A01 245	SERVICE PANEL		1	1	1	1	1	1	1	1	1	1	1	
15	U01 A01 640	EXPANSION VALVE		1	1	1	1	1	1	1	1	1	1	1	
16	U01 A01 936	CAPILLARY TUBE		4	4	4	4	4	4	4	4	4	4	4	O.D. 0.118 × I.D. 0.079 × 8-9/32 (ø3.0 × ø2.0 × 210)
17	U01 A01 493	EXPANSION VALVE COIL	LEV	1	1	1	1	1	1	1	1	1	1	1	
18	U01 A02 961 U01 A01 961	4-WAY VALVE		1	1										
19	U01 A01 490	R.V. COIL	21S4	1	1	1	1	1	1	1	1				
20	U01 A03 308	AMBIENT TEMPERATURE THERMISTOR	RT65	1	1	1	1	1	1	1	1	1	1	1	
21	U01 A02 307	OUTDOOR HEAT EXC. TEMP THERMISTOR	RT68	1	1	1	1	1	1	1	1	1	1	1	
22	U01 A01 306	THERMISTOR SET	RT61, RT62	1	1	1	1	1	1	1					DEFROST, DISCHARGE TEMPERATURE
	U01 A01 309	DISCHARGE TEMPERATURE THERMISTOR	RT62									1	1	1	
23	U01 A02 337 U01 A01 337	REACTOR	L61	1	1							1			
24	U01 A01 374	TERMINAL BLOCK	TB	1	1	1	1	1	1	1	1	1	1	1	5 P
25	U01 A10 451 U01 A07 451 U01 A17 451 U01 A16 451 U01 A08 451 U01 A09 451 U01 A11 451 U01 A12 451 U01 A13 451 U01 A14 451 U01 A15 451	INVERTER P.C. BOARD		1	1	1	1	1	1	1	1	1	1	1	Including heat sink and RT64
26	U01 A02 641	SERVICE PORT (H)		1	1	1	1	1	1	1	1	1	1	1	
27	U01 A01 525	CONDENSER WIRE NET		1	1	1	1	1	1	1	1	1	1	1	
28	U01 A01 523	CONDENSER NET		1	1	1	1	1	1	1	1	1	1	1	
29	U01 A01 630	OUTDOOR HEAT EXCHANGER		1	1	1	1	1	1	1	1	1	1	1	
30	U01 A02 079	THERMO HOLDER		1	1	1	1	1	1	1	1	1	1	1	
31	U01 A01 515	MOTOR SUPPORT		1	1	1	1	1	1	1	1	1	1	1	
32	U01 A01 297	TOP PANEL		1	1	1	1	1	1	1	1	1	1	1	
33	U01 A01 526	DEFROST HEATER	H		1						1				Including lead assembly
34	U01 A01 381	HEATER PROTECTOR	26H		1						1				
35	U01 M01 987	LOGO LABEL		1	1	1	1	1	1	1	1	1	1	1	
36	U01 A03 936	CAPILLARY TUBE		1	1										O.D. 0.118 × I.D. 0.079 × 9-7/16 (ø3.0 × ø2.0 × 240)
	U01 A02 936	CAPILLARY TUBE				1	1	1	1	1	1	1	1	1	O.D. 0.157 × I.D. 0.094 × 9-7/16 (ø4.0 × ø2.4 × 240)

SERVICE PARTS LIST

MUZ-GL09NA - U2

MUZ-GL09NAH - U2

MUY-GL09NA - U2

MUZ-GL12NA - U2

MUZ-GL12NAH - U2

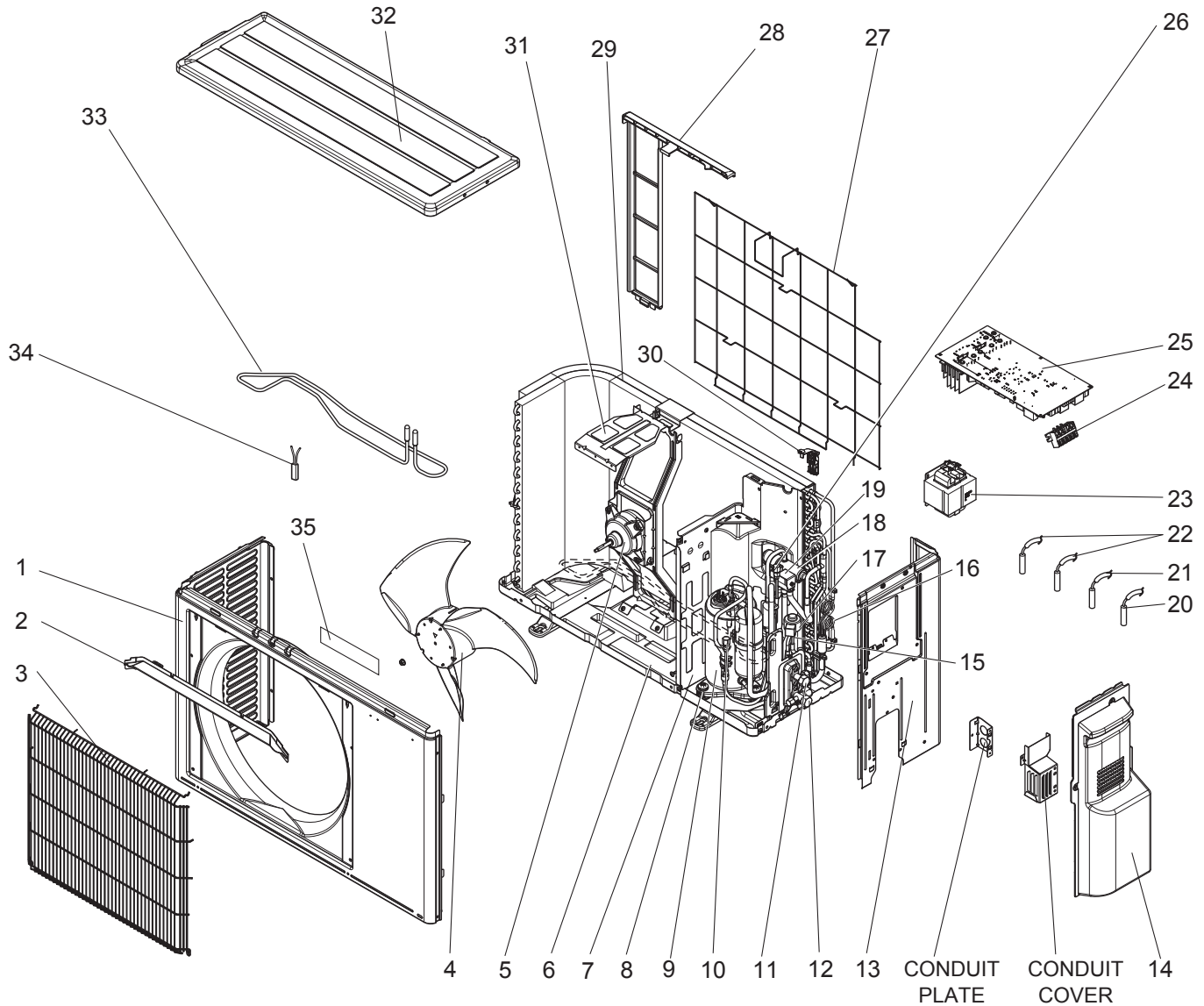
MUY-GL12NA - U2

MUZ-GL15NA - U2

MUZ-GL15NAH - U2

MUY-GL15NA - U2

1-2. OUTDOOR UNIT STRUCTURAL PARTS, ELECTRICAL PARTS AND FUNCTIONAL PARTS



1-2. OUTDOOR UNIT STRUCTURAL PARTS, ELECTRICAL PARTS AND FUNCTIONAL PARTS

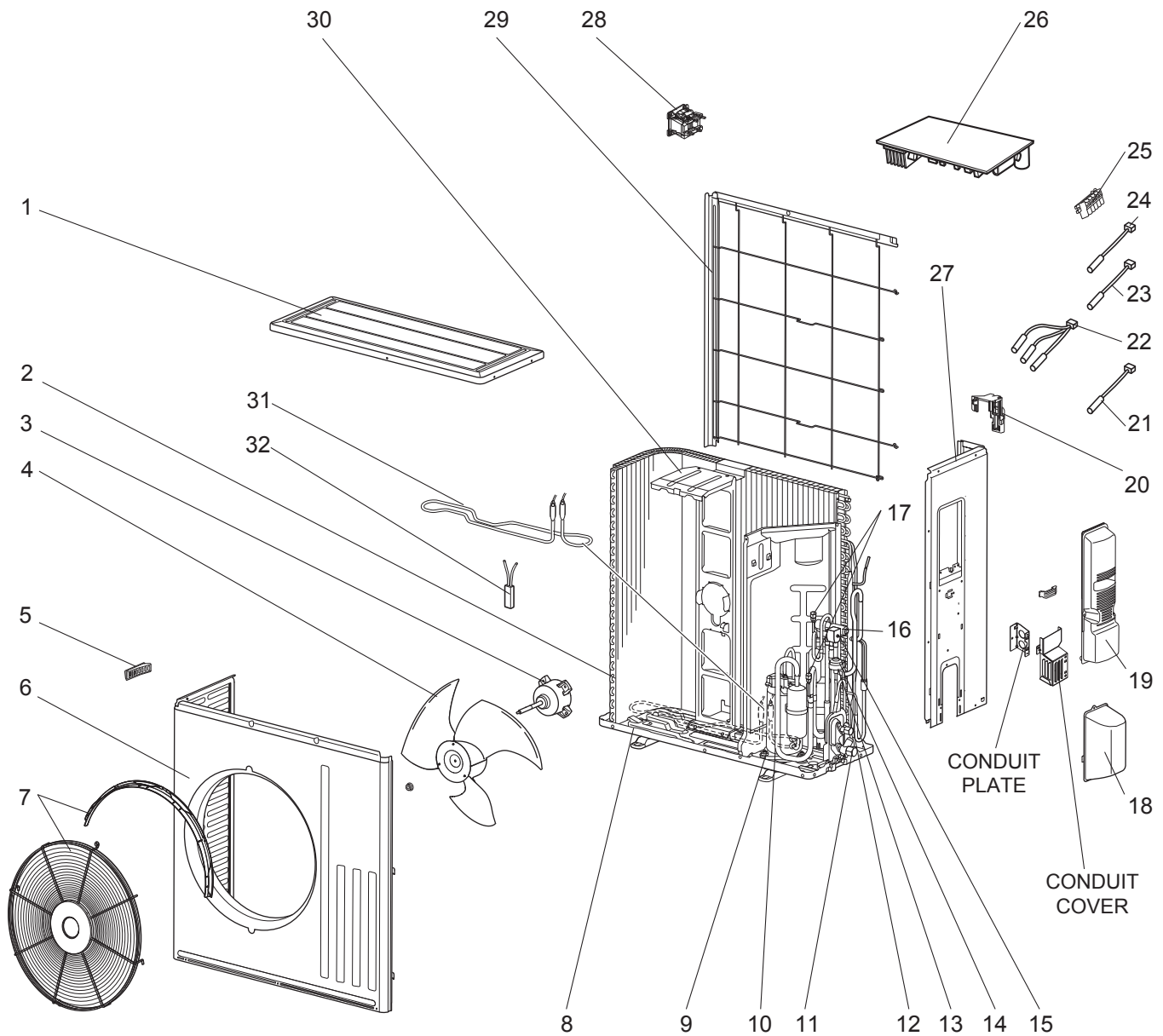
Part number that is circled is not shown in the illustration.

No.	Part No.	Part Name	Symbol in Wiring Diagram	Q'ty/unit									Remarks	
				MUZ-GL						MUY-GL				
				09 NA	09 NAH	12 NA	12 NAH	15 NA	15 NAH	09 NA	12 NA	15 NA		
				- [U2]	- [U2]	- [U2]	- [U2]	- [U2]	- [U2]	- [U2]	- [U2]	- [U2]	- [U2]	
1	U01 A01 232	CABINET		1	1	1	1	1	1	1	1	1	1	
2	U01 A01 531	ICE GUARD		1	1	1	1	1	1	1	1	1	1	
3	U01 A02 521	GRILLE		1	1	1	1	1	1	1	1	1	1	
4	U01 A01 501	PROPELLER FAN		1	1	1	1	1	1	1	1	1	1	
5	U01 A03 301	OUTDOOR FAN MOTOR	MF	1	1	1	1	1	1	1	1	1	1	RC0J55-□□
6	U01 A02 290 U01 A01 290	BASE		1	1	1	1	1	1	1	1	1	1	
7	U01 A02 293 U01 A01 293	SEPARATOR		1	1	1	1	1	1	1	1	1	1	
8	U01 A01 506	COMP. RUBBER SET		3	3	3	3	3	3	3	3	3	3	3 RUBBERS/SET
9	U01 A07 900	COMPRESSOR (KNB073FRXMC)	MC	1	1					1				KNB073FRXMC
	U01 A01 900	COMPRESSOR (SNB092FQAMT)				1	1				1			SNB092FQAMT
	U01 A04 900	COMPRESSOR (SNB130FQBMT)						1	1				1	SNB130FQBMT
10	U01 A01 641	SERVICE PORT (L)		1	1	1	1	1	1	1	1	1	1	
11	U01 A01 662	STOP VALVE (LIQ)		1	1	1	1	1	1	1	1	1	1	ø1/4 (ø6.35)
12	U01 A02 661	STOP VALVE (GAS)						1	1					ø1/2 (ø12.7)
	U01 A01 661		1	1	1	1			1	1			ø3/8 (ø9.52)	
13	U01 A01 233	BACK PANEL		1	1	1	1	1	1	1	1	1	1	
14	U01 A01 245	SERVICE PANEL		1	1	1	1	1	1	1	1	1	1	
15	U01 001 401	EXPANSION VALVE		1	1	1	1	1	1	1	1	1	1	
16	U01 A01 936	CAPILLARY TUBE		4	4	4	4	4	4	4	4	4	4	O.D. 0.118 × I.D. 0.079 × 8-9/32 (ø3.0 × ø2.0 × 210)
17	U01 A01 493	EXPANSION VALVE COIL	LEV	1	1	1	1	1	1	1	1	1	1	
18	U01 A04 961	4-WAY VALVE		1	1	1	1			1	1			
	U01 A01 961						1	1				1		
19	U01 A01 490	R.V. COIL	21S4					1	1					
	U01 A03 490			1	1	1	1							
20	U01 A03 308	AMBIENT TEMPERATURE THERMISTOR	RT65	1	1	1	1	1	1	1	1	1	1	
21	U01 A02 307	OUTDOOR HEAT EXC. TEMP THERMISTOR	RT68	1	1	1	1	1	1	1	1	1	1	
22	U01 A01 306	THERMISTOR SET	RT61, RT62	1	1	1	1	1	1					DEFROST, DISCHARGE TEMPERATURE
	U01 A01 309	DISCHARGE TEMPERATURE THERMISTOR	RT62							1	1	1		
23	U01 A02 337	REACTOR	L61	1	1					1				
	U01 A01 337					1	1	1	1		1	1		
24	U01 A01 374	TERMINAL BLOCK	TB	1	1	1	1	1	1	1	1	1	1	5 P
25	U01 A40 451	INVERTER P.C. BOARD			1									Including heat sink and RT64
	U01 A41 451					1								
	U01 A42 451								1					
	U01 A43 451													
	U01 A44 451				1									
	U01 A45 451							1						
	U01 A46 451									1				
	U01 A47 451											1		
U01 A48 451											1			
26	U01 A02 641	SERVICE PORT (H)		1	1	1	1	1	1	1	1	1	1	
27	U01 A01 525	CONDENSER WIRE NET		1	1	1	1	1	1	1	1	1	1	
28	U01 A01 523	CONDENSER NET		1	1	1	1	1	1	1	1	1	1	
29	U01 A01 630	OUTDOOR HEAT EXCHANGER		1	1	1	1	1	1	1	1	1	1	
30	U01 A02 079	THERMO HOLDER		1	1	1	1	1	1	1	1	1	1	
31	U01 A01 515	MOTOR SUPPORT		1	1	1	1	1	1	1	1	1	1	
32	U01 A01 297	TOP PANEL		1	1	1	1	1	1	1	1	1	1	
33	U01 A01 526	DEFROST HEATER	H		1		1		1					Including lead assembly
34	U01 A01 381	HEATER PROTECTOR	26H		1		1		1					
35	U01 M01 987	LOGO LABEL		1	1	1	1	1	1	1	1	1	1	
③6	U01 A03 936	CAPILLARY TUBE		1	1					1				O.D. 0.118 × I.D. 0.079 × 9-7/16 (ø3.0 × ø2.0 × 240)
	U01 A02 936	CAPILLARY TUBE				1	1	1	1			1	1	O.D. 0.157 × I.D. 0.094 × 9-7/16 (ø4.0 × ø2.4 × 240)

SERVICE PARTS LIST

MUZ-GL18NA MUZ-GL18NAH MUY-GL18NA

1-3. OUTDOOR UNIT STRUCTURAL PARTS, ELECTRICAL PARTS AND FUNCTIONAL PARTS



1-3. OUTDOOR UNIT STRUCTURAL PARTS, ELECTRICAL PARTS AND FUNCTIONAL PARTS

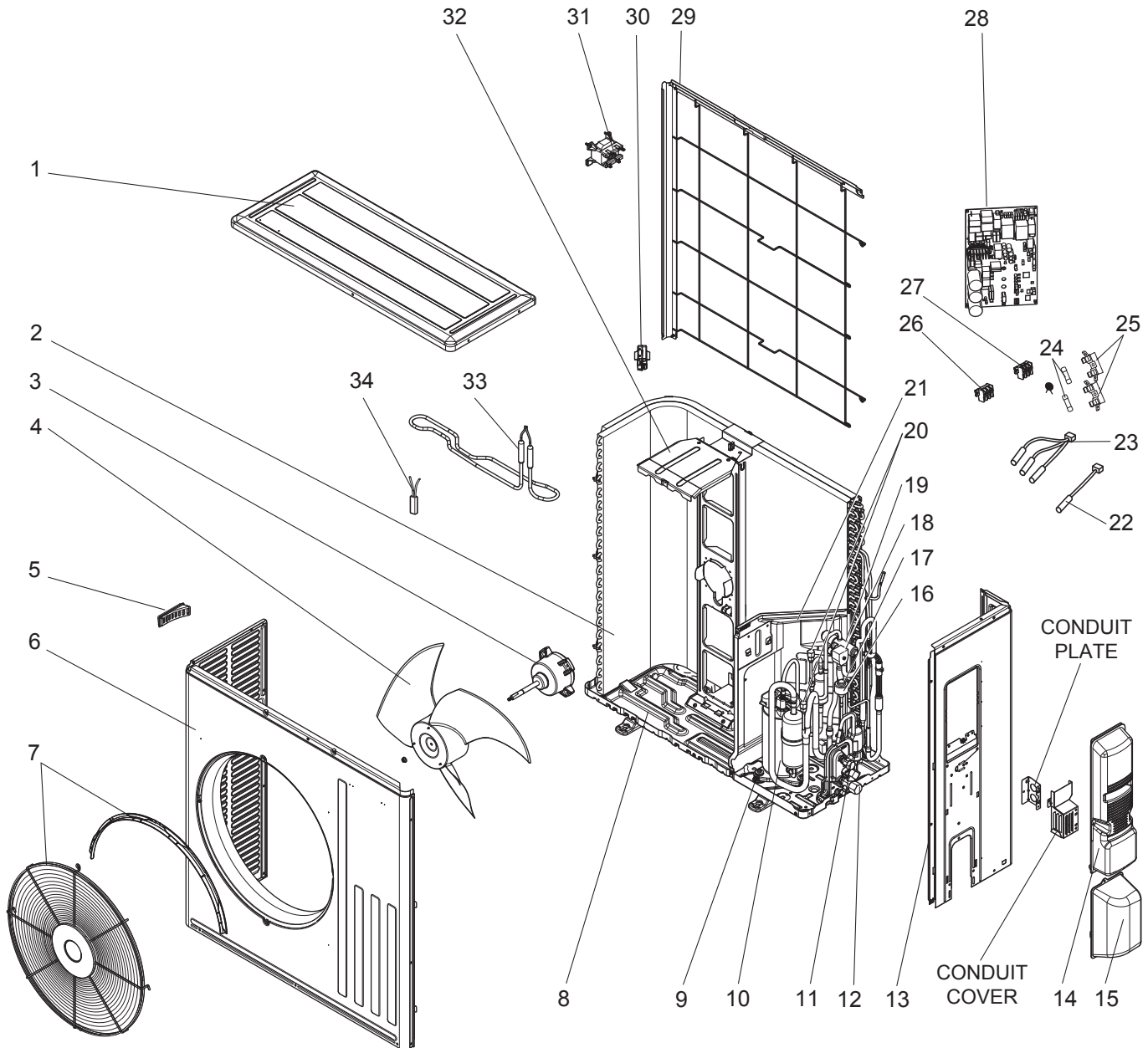
Part numbers that are circled are not shown in the illustration.

No.	Part No.	Part Name	Symbol in Wiring Diagram	Q'ty/unit			Remarks
				MUZ-GL18		MUY-GL18	
				NA- <u>U1</u>	NAH- <u>U1</u>	NA- <u>U1</u>	
1	E12 L87 297	TOP PANEL		1	1	1	
2	E12 N94 630	OUTDOOR HEAT EXCHANGER		1	1	1	
3	E12 N87 301	OUTDOOR FAN MOTOR	MF	1	1	1	RC0J77-□□
4	E12 F28 501	PROPELLER FAN		1	1	1	
5	E12 817 009	HANDLE		1	1	1	
6	E12 N94 232	CABINET		1	1	1	
7	E12 L87 521	FAN GUARD		1	1		Including ice guard
	E12 N94 521				1		
8	E12 F28 290	BASE		1		1	
	E12 H25 290				1		
9	E12 C34 506	COMPRESSOR RUBBER SET		3	3	3	3 RUBBERS/SET
10	E12 N94 900	COMPRESSOR	MC	1	1	1	SNB130FQBMT
11	E12 L87 661	STOP VALVE (GAS)		1	1	1	ø1/2 (ø12.7)
12	E12 L87 662	STOP VALVE (LIQUID)		1	1	1	ø1/4 (ø6.35)
13	E12 851 640	EXPANSION VALVE		1	1	1	
14	E12 F28 493	EXPANSION VALVE COIL	LEV	1	1	1	
15	E12 N91 490	R.V. COIL	21S4	1	1	1	
16	E12 A56 961	4-WAY VALVE		1	1	1	
17	E12 E79 641	SERVICE PORT		2	2	2	
18	E12 F28 650	VALVE COVER		1	1	1	
19	E12 N94 245	SERVICE PANEL		1	1	1	
20	E12 F28 079	THERMO HOLDER		1	1	1	
21	E12 G16 309	AMBIENT TEMPERATURE THERMISTOR	RT65	1	1	1	
22	E12 G16 308	THERMISTOR SET	RT61, RT62, RT68	1	1		DEFROST, DISCHARGE TEMPERATURE, OUTDOOR HEAT EXCHANGER TEMPERATURE
23	E12 N94 308	DISCHARGE TEMPERATURE THERMISTOR	RT62			1	
24	E12 G16 307	OUTDOOR HEAT EXCHANGER TEMPERATURE THERMISTOR	RT68			1	
25	E12 L85 374	TERMINAL BLOCK	TB	1	1	1	5 P
26	E12 N91 451	INVERTER P.C. BOARD		1			Including heat sink and RT64
	E12 N92 451			1			
	E12 N94 451				1		
27	E12 N94 233	BACK PANEL		1	1	1	
28	E12 H21 337	REACTOR	L61	1			
	E12 N94 337				1	1	
29	E12 L87 523	CONDENSER NET		1	1	1	
30	E12 F28 515	MOTOR SUPPORT		1	1	1	
31	E12 J52 526	DEFROST HEATER	H		1		
32	E12 J52 381	HEATER PROTECTOR	26H		1		
③③	E12 262 936	CAPILLARY TUBE		1	1	1	O.D. 0.157 × I.D. 0.094 × 7-7/8 (ø4.0 × ø2.4 × 200)
③④	E12 838 936	CAPILLARY TUBE		4	4	4	O.D. 0.118 × I.D. 0.079 × 7-7/8 (ø3.0 × ø2.0 × 200)
③⑤	E12 527 936	CAPILLARY TUBE		1	1	1	O.D. 0.157 × I.D. 0.094 × 3-15/16 (ø4.0 × ø2.4 × 100)

SERVICE PARTS LIST

MUZ-GL24NA MUZ-GL24NAH MUY-GL24NA

1-4. OUTDOOR UNIT STRUCTURAL PARTS, ELECTRICAL PARTS AND FUNCTIONAL PARTS



1-4. OUTDOOR UNIT STRUCTURAL PARTS, ELECTRICAL PARTS AND FUNCTIONAL PARTS

Part numbers that are circled are not shown in the illustration.

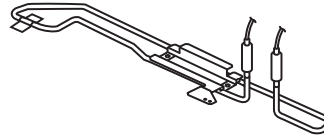
No.	Part No.	Part Name	Symbol in Wiring Diagram	Q'ty/unit				Remarks
				MUZ-GL24			MUY-GL24	
				NA-[U1]	NA-[U2]	NAH-[U1]	NA-[U1]	
1	E12 L87 297	TOP PANEL		1	1	1	1	
2	E12 T16 630	OUTDOOR HEAT		1	1	1		
	E12 T17 630	EXCHANGER					1	
3	E12 F76 301	OUTDOOR FAN MOTOR	MF	1	1	1	1	RC0J77-□□
4	E12 F28 501	PROPELLER FAN		1	1	1	1	
5	E12 817 009	HANDLE		1	1	1	1	
6	E12 T16 232	CABINET		1	1	1	1	
7	E12 F73 521	FAN GUARD		1	1	1		Including ice guard
	E12 F28 521						1	
8	E12 F28 290	BASE		1	1		1	
	E12 H25 290				1			
9	E12 C34 506	COMPRESSOR RUBBER SET		3	3	3	3	3 RUBBERS/SET
10	E12 F76 900	COMPRESSOR	MC	1	1	1	1	SNB172FQKMT
11	E12 F29 662	STOP VALVE (LIQUID)		1	1	1	1	ø3/8 (ø9.52)
12	E12 F76 661	STOP VALVE (GAS)		1	1	1	1	ø5/8 (ø15.88)
13	E12 F76 233	BACK PANEL		1	1	1	1	
14	E12 J61 245	SERVICE PANEL		1	1	1	1	
15	E12 F28 650	VALVE COVER		1	1	1	1	
16	E12 F28 493	EXPANSION VALVE COIL	LEV	1	1	1	1	
17	E12 853 640	EXPANSION VALVE		1	1	1	1	
18	E12 F76 490	R.V. COIL	21S4	1	1	1		
19	E12 A56 961	4-WAY VALVE		1	1	1	1	
20	E12 E79 641	SERVICE PORT (H, L)		2	2	2	2	
21	E12 R08 293	SEPARATOR		1	1		1	
	E12 J67 293				1			
22	E12 J52 309	AMBIENT TEMPERATURE THERMISTOR	RT65	1	1	1	1	
23	E12 F28 308	THERMISTOR SET	RT61, RT62, RT68	1	1	1		DEFROST, DISCHARGE TEMPERATURE, OUTDOOR HEAT EXCHANGER TEMPERATURE
	E12 F33 308		RT62, RT68				1	DISCHARGE TEMPERATURE, OUTDOOR HEAT EXCHANGER TEMPERATURE
24	E12 250 382	FUSE	F65, F66	2	2	2	2	T6.3AL 250 V AC
25	E17 001 241	FUSE HOLDER		2	2	2	2	
26	E12 L87 374	TERMINAL BLOCK	TB1	1	1	1	1	3 P
27	E12 T16 374	TERMINAL BLOCK	TB2	1	1	1	1	3 P
28	E12 T16 451	INVERTER P.C. BOARD		1				Including heat sink and RT64
	E12 T18 451			1	1			
	E12 T17 451						1	
29	E12 L87 523	CONDENSER NET		1	1	1	1	
30	E12 F76 079	THERMO HOLDER		1	1	1	1	
31	E12 F28 337	REACTOR	L	1	1	1	1	
32	E12 J52 515	MOTOR SUPPORT		1	1	1	1	
33	E12 J52 526	DEFROST HEATER	H			1		
34	E12 J52 381	HEATER PROTECTOR	26H			1		
③⑤	E12 527 936	CAPILLARY TUBE		1	1	1	1	O.D. 0.157 × I.D. 0.094 × 3-15/16 (ø4.0 × ø2.4 × 100)
③⑥	E12 T18 936	CAPILLARY TUBE			1	1		O.D. 0.118 × I.D. 0.071 × 21-21/32 (ø3.0 × ø1.8 × 550)

2

OPTIONAL PARTS

2-1. DEFROST HEATER

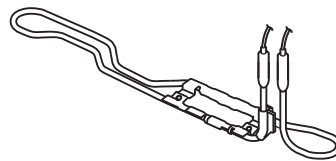
Model	Parts No.
MUZ-GL09NA MUZ-GL12NA MUZ-GL15NA	MAC-640BH-U



Components

① Defrost heater	1	④ Cable tie	1
② Aluminum tape	1	⑤ Self drilling screw	2
③ Heater support	1	⑥ Insulation	1

Model	Parts No.
MUZ-GL18NA MUZ-GL24NA	MAC-642BH-U1



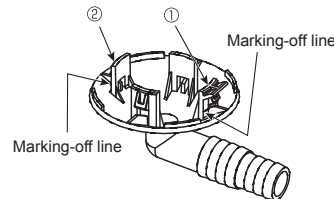
Components

① Defrost heater	1	④ Cable clamp	1
② Heater support	1	⑤ Self drilling screw	2
③ Cable tie	1	⑥ Wiring diagram	1

Note: Refer to the installation manual for the installation.

2-2. DRAIN SOCKET

Model	Parts No.
MUZ-GL09NA MUZ-GL12NA MUZ-GL15NA MUZ-GL18NA MUZ-GL24NA	MAC-860DS



Installing a Drain Socket

For Φ 1-5/8 (Φ 42) hole

Put the tab ① in the hole first, and then the tab ②.

MITSUBISHI ELECTRIC CORPORATION

HEAD OFFICE: TOKYO BUILDING, 2-7-3, MARUNOUCHI, CHIYODA-KU, TOKYO 100-8310, JAPAN

© Copyright 2015 MITSUBISHI ELECTRIC CORPORATION

Issued: Apr. 2019. No. OBB733 REVISED EDITION-G

Issued: Nov. 2018. No. OBB733 REVISED EDITION-F

Issued: Feb. 2018. No. OBB733 REVISED EDITION-E

Issued: Mar. 2017. No. OBB733 REVISED EDITION-D

Issued: Sep. 2016. No. OBB733 REVISED EDITION-C

Issued: Jan. 2016. No. OBB733 REVISED EDITION-B

Issued: Nov. 2015. No. OBB733 REVISED EDITION-A

Published: Sep. 2015. No. OBB733

Made in Japan

Specifications are subject to change without notice.