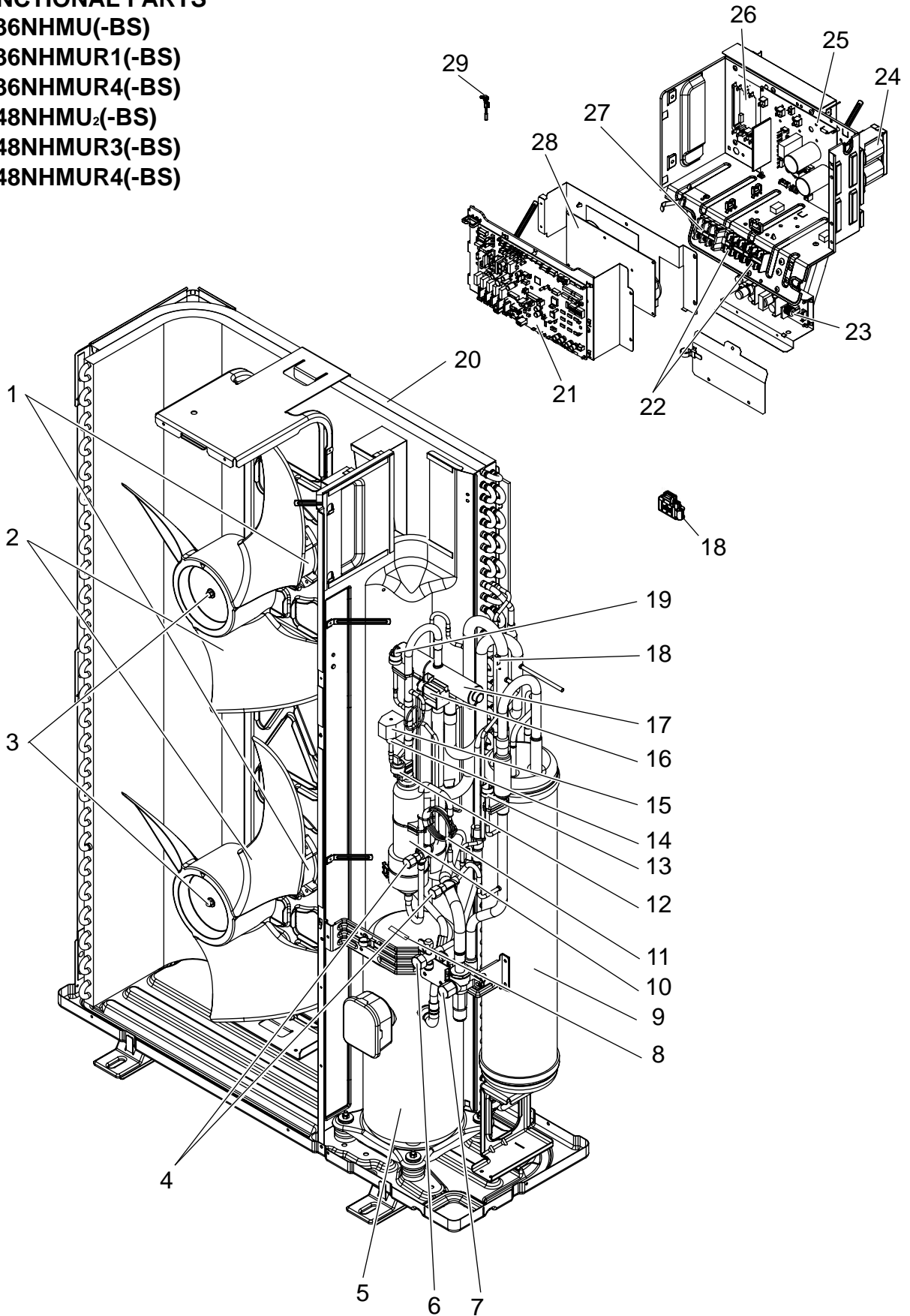


14-1. FUNCTIONAL PARTS

- PUMY-P36NHMU(-BS)
- PUMY-P36NHMUR1(-BS)
- PUMY-P36NHMUR4(-BS)
- PUMY-P48NHMU₂(-BS)
- PUMY-P48NHMUR3(-BS)
- PUMY-P48NHMUR4(-BS)



RoHS PARTS LIST

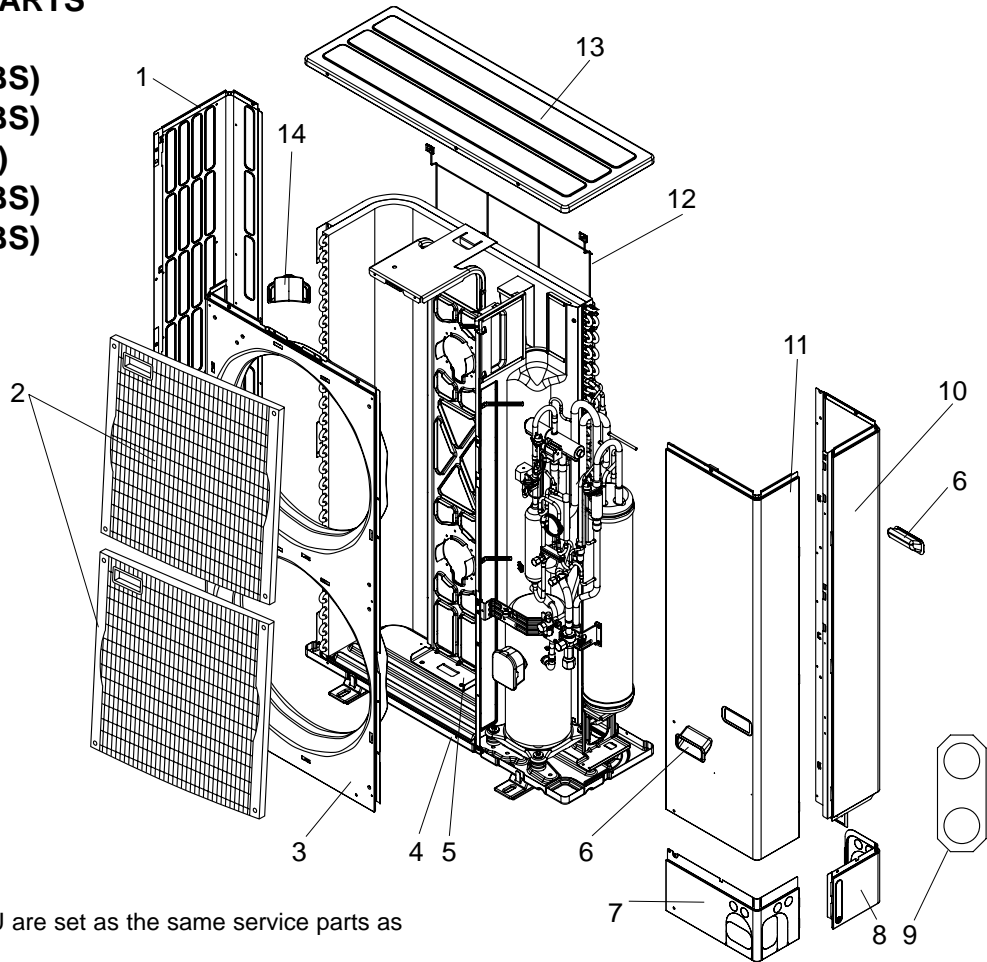
Part numbers that are circled are not shown in the figure.

No.	RoHS	Part No.	Part Name	Specification	Q'ty/unit			Remarks (Drawing No.)	Wiring Diagram Symbol	Recom- mended Q'ty
					PUMY-P.(-BS)					
					36NHMU 48NHMU ₂	36NHMUR1 48NHMUR3	36NHMUR4 48NHMUR4			
1	G	T7W E27 763	FAN MOTOR		2	2			MF1,2	
	G	R01 E57 221	FAN MOTOR				2		MF1,2	
2	G	R01 E12 115	PROPELLER FAN		2	2	2			
3	G	R01 E09 097	NUT		2	2	2			
4	G	T7W E07 413	CHARGE PLUG		2					
	G	T7W E12 413	CHARGE PLUG			2	2			
5	G	T97 415 755	COMPRESSOR	ANB33FDHMT Including RUBBER MOUNT	1				MC	
	G	T97 415 779	COMPRESSOR	ANB33FDSMT Including RUBBER MOUNT		1	1		MC	
6	G	T7W E04 410	STOP VALVE	3/8	1	1	1			
7	G	T7W E06 411	BALL VALVE	5/8	1	1	1			
8	G	R01 E28 201	THERMISTOR (COMPRESSOR)			1	1		TH4	
9	G	R01 E44 440	ACCUMULATOR		1	1	1			
10	G	T7W E02 490	OIL SEPARATOR		1	1	1			
11	G	R01 E26 425	CAPILLARY TUBE	$\phi 2.5 \times \phi 0.8 \times 1000 \text{mm}$ [$\phi(3/32) \times \phi(1/32) \times L(39-1/2)$]inch	1	1	1			
12	G	R01 E07 208	H.P SENSOR		1	1	1		63HS	
13	G	R01 E00 209	LOW PRESSURE SWITCH		1	1	1		63L	
14	G	T7W E03 428	BYPASS VALVE		1	1	1			
15	G	T7W E17 242	SOLENOID COIL <BYPASS VALVE>		1	1	1		SV1	
16	G	T7W E18 242	SOLENOID COIL <4-WAY VALVE>		1	1	1		21S4	
17	G	T7W E05 403	4-WAY VALVE		1	1	1			
18	G	R01 H01 202	THERMISTOR (LOW PRESSURE SATURATED, OUTDOOR)		1	1	1		TH6, 7	
19	G	T7W E07 208	HIGH PRESSURE SWITCH		1	1	1		63H	
20	G	T7W E41 408	HEAT EXCHANGER		1	1	1			
21	G	R01 V03 310	CONTROLLER CIRCUIT BOARD		1				C.B.	
	G	R01 V14 310	CONTROLLER CIRCUIT BOARD			1			C.B.	
	G	T7W F24 315	CONTROLLER CIRCUIT BOARD				1		C.B.	
22	G	R01 E27 246	TERMINAL BLOCK	3P (M1,M2,S)	2	2	2		TB3,TB7	
23	G	R01 E02 311	M-POWER BOARD		1				M-NET.P.B.	
	G	R01 E04 311	M-POWER BOARD			1	1		M-NET.P.B.	
24	G	R01 E20 259	REACTOR		1				DCL	
	G	T7W E17 259	REACTOR			1			DCL	
	G	R01 E44 259	REACTOR				1		DCL	
25	G	R01 E64 313	POWER CIRCUIT BOARD		1				P.B.	
	G	R01 E65 313	POWER CIRCUIT BOARD			1	1		P.B.	
26	G	R01 E07 233	ACT MODULE		1	1	1		ACTM	
27	G	T7W E45 716	TERMINAL BLOCK	3P (L1,L2,GR)	1	1	1		TB1	
28	G	R01 E18 346	NOISE FILTER CIRCUIT BOARD	6P	1	1	1		N.F.	
29	G	R01 E99 202	THERMISTOR (HEATSINK)		1	1	1		TH8	
(30)	G	R01 E22 255	MAIN SMOOTHING CAPACITOR		1	1	1		CE	
(31)	G	R01 H00 202	THERMISTOR (OUTDOOR PIPE)		1	1	1		TH3	
(32)	G	R01 E12 201	THERMISTOR (DISCHARGE)		1				TH4	
(32)	G	R01 E06 239	FUSE	250 V 6.3 A	2	2	2		F1,2	

RoHS PARTS LIST

14-2. STRUCTURAL PARTS

PUMY-P36NHMU(-BS)
 PUMY-P36NHMUR1(-BS)
 PUMY-P36NHMUR4(-BS)
 PUMY-P48NHMU₂(-BS)
 PUMY-P48NHMUR3(-BS)
 PUMY-P48NHMUR4(-BS)



* Parts of PUMY-P36/48NHMU are set as the same service parts as PUMY-P36/48NHMU-BS.

No.	RoHS	Part No.	Part Name	Speci- fication	Q'ty/set			Remarks (Drawing No.)	Wiring Diagram Symbol	Recom- mended Q'ty
					PUMY-P.(-BS)					
					36NHMU 36NHMUR1	48NHMU ₂ 48NHMUR3	36NHMU4 48NHMU4			
1	G	R01 E33 662	SIDE PANEL (L)		1	1	1			
2	G	T7W E03 691	FAN GRILLE		2	2	2			
3	G	T7W E06 667	FRONT PANEL		1	1	1			
4	G	R01 E26 686	BASE ASSY		1	1	1			
5	G	R01 E19 130	MOTOR SUPPORT		1	1	1			
6	G	R01 E01 655	HANDLE		2	2	2			
7	G	R01 E14 658	COVER PANEL (FRONT)		1	1	1			
8	G	R01 E24 658	COVER PANEL (REAR)		1	1	1			
9	G	T7W E01 617	CONDUIT PLATE		1	1	1			
10	G	R01 E57 661	SIDE PANEL (R)		1	1	1			
11	G	T7W E06 668	SERVICE PANEL		1	1	1			
12	G	R01 E07 698	REAR GUARD		1	1	1			
13	G	R01 E29 641	TOP PANEL		1	1	1			
14	G	R01 E02 655	HANDLE		1	1	1			

DRAIN SOCKET

Part No.	PAC-SG61DS-E
----------	--------------

AIR OUTLET GUIDE

Part No.	PAC-SG59SG-E
----------	--------------

* Need 2 pieces.

AIR GUIDE

Part No.	PAC-SH63AG-E
----------	--------------

* Need 2 pieces.

DRAIN PAN

Part No.	PAC-SG64DP-E
----------	--------------

BRANCH PIPE (Joint)

Part No.	NUMBER OF BRANCHING POINTS
CMY-Y62-G-E	2
CMY-Y64-G-E	4
CMY-Y68-G-E	8