



**CT301 & CT302  
COUNTERTOP ELECTRIC PIZZA OVENS  
REPLACEMENT PARTS LIST**

**EFFECTIVE JANUARY 11, 2019**

Superseding All Previous Parts Lists.

The Company reserves the right to make substitution in the event that items specified are not available.

ERRORS: Descriptive and/or typographic errors are subject to correction.

---

**MARSAL**

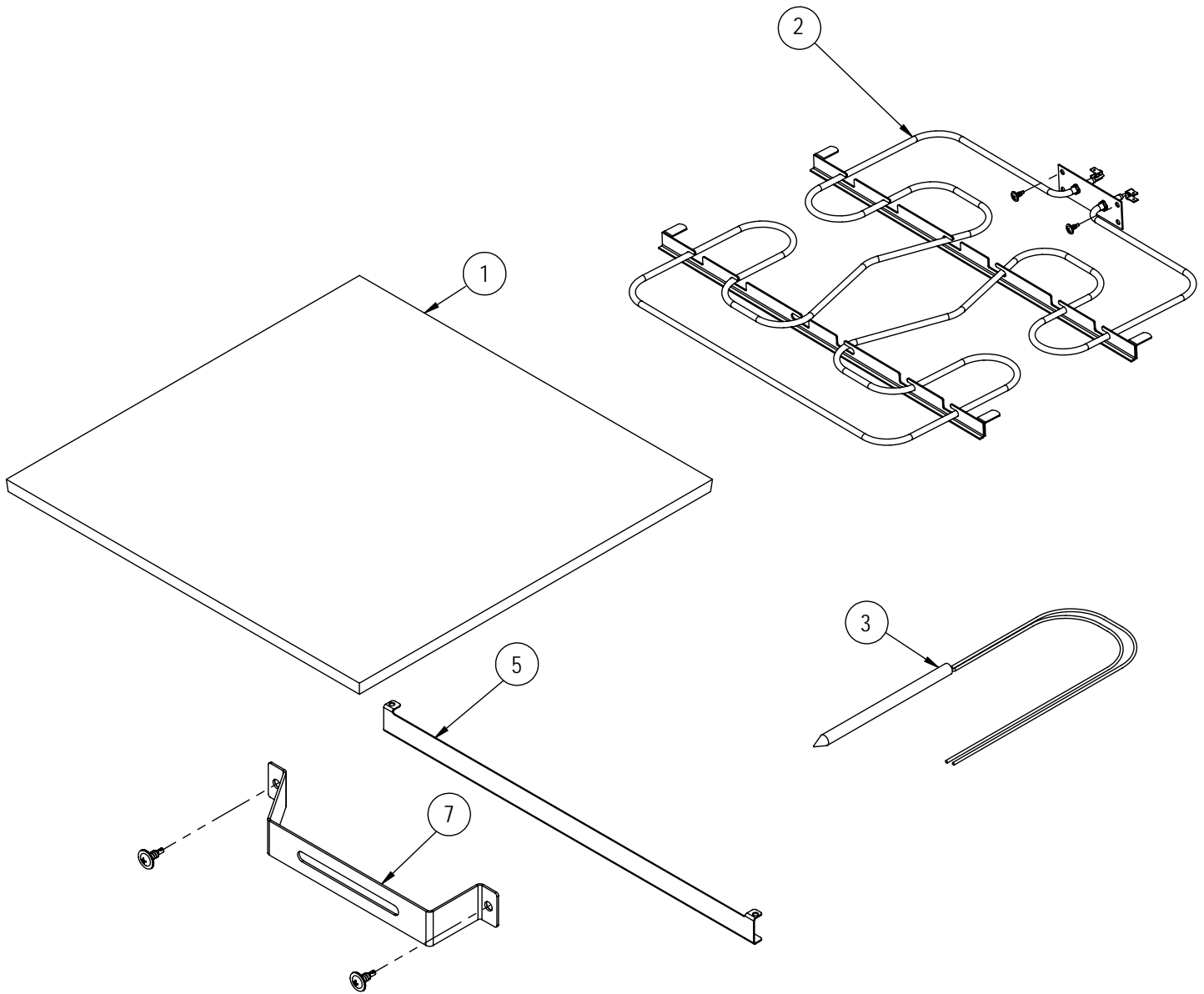
42 Allen Martin Drive, Essex Junction, VT 05452 USA Telephone: (802) 658-6600 Fax: (802) 864-0183  
[www.marsalovens.com](http://www.marsalovens.com)

*P/N 72540 Rev E*

# TABLE OF CONTENTS

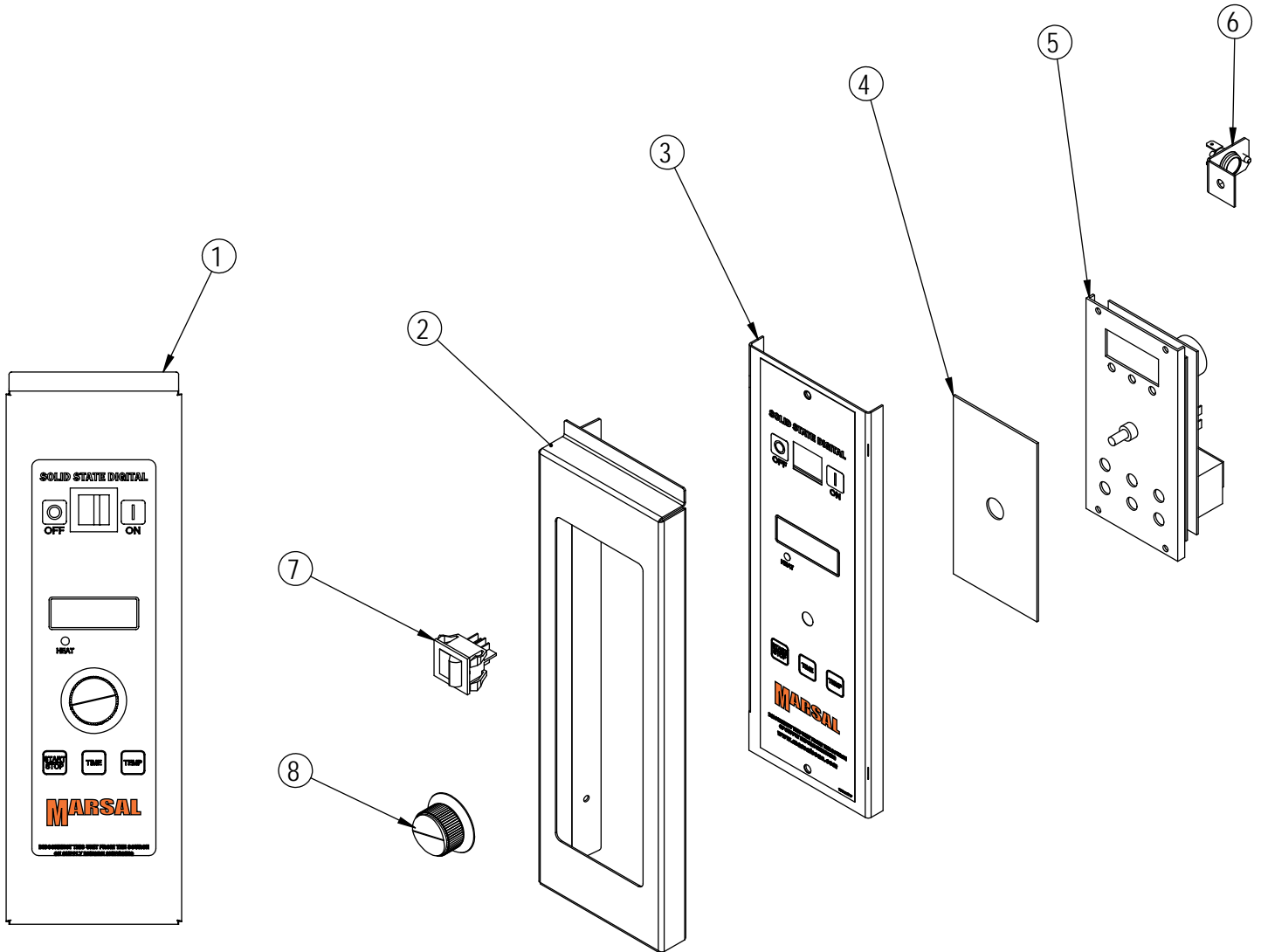
CAVITY COMPONENTS .....	3
CT301 CONTROL MODULE.....	4
CT302 CONTROL MODULE.....	5
CT301 ELECTRICAL COMPONENTS .....	6
CT302 ELECTRICAL COMPONENTS .....	7
DOOR COMPONENTS .....	8
EXTERIOR COMPONENTS.....	9

# CAVITY COMPONENTS



REF. NO.	PART NO.	DESCRIPTION
1	<a href="#">72529</a>	DECK STONE
2	<a href="#">72530</a>	ELEMENT, 208V
	<a href="#">72531</a>	ELEMENT, 240V
3	<a href="#">23392</a>	TEMPERATURE PROBE
5	72470	FRONT TRIM TOP CAVITY CT302
7	<a href="#">72538</a>	PROBE SHIELD

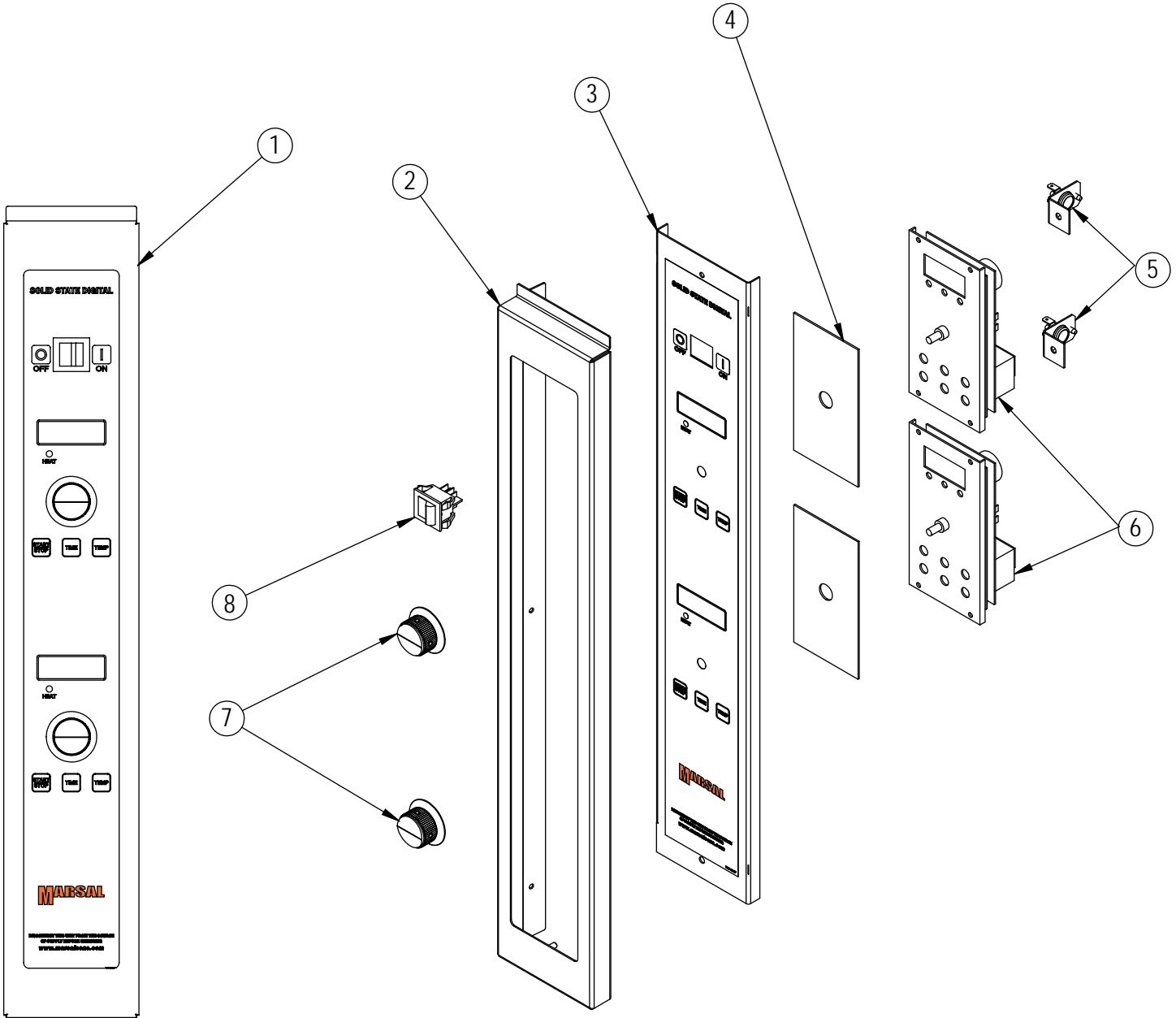
# CT301 CONTROL MODULE



REF. NO.	PART NO.	DESCRIPTION
1	72388	MODULE ASSEMBLY, CT301
2	72346	CONTROL COVER, CT301
3	72539	CONTROL PANEL W/ DECAL
4	24725	SPACER, SILICONE
5	72534	TEMP CONTROL, SSD, 550F
6	72533	THERMAL SWITCH, CONTROL

REF. NO.	PART NO.	DESCRIPTION
7	19619	SWITCH, DPST
8	36617	KNOB
9	72381	HARNESS, SSD FRONT, CT301 (NOT SHOWN)

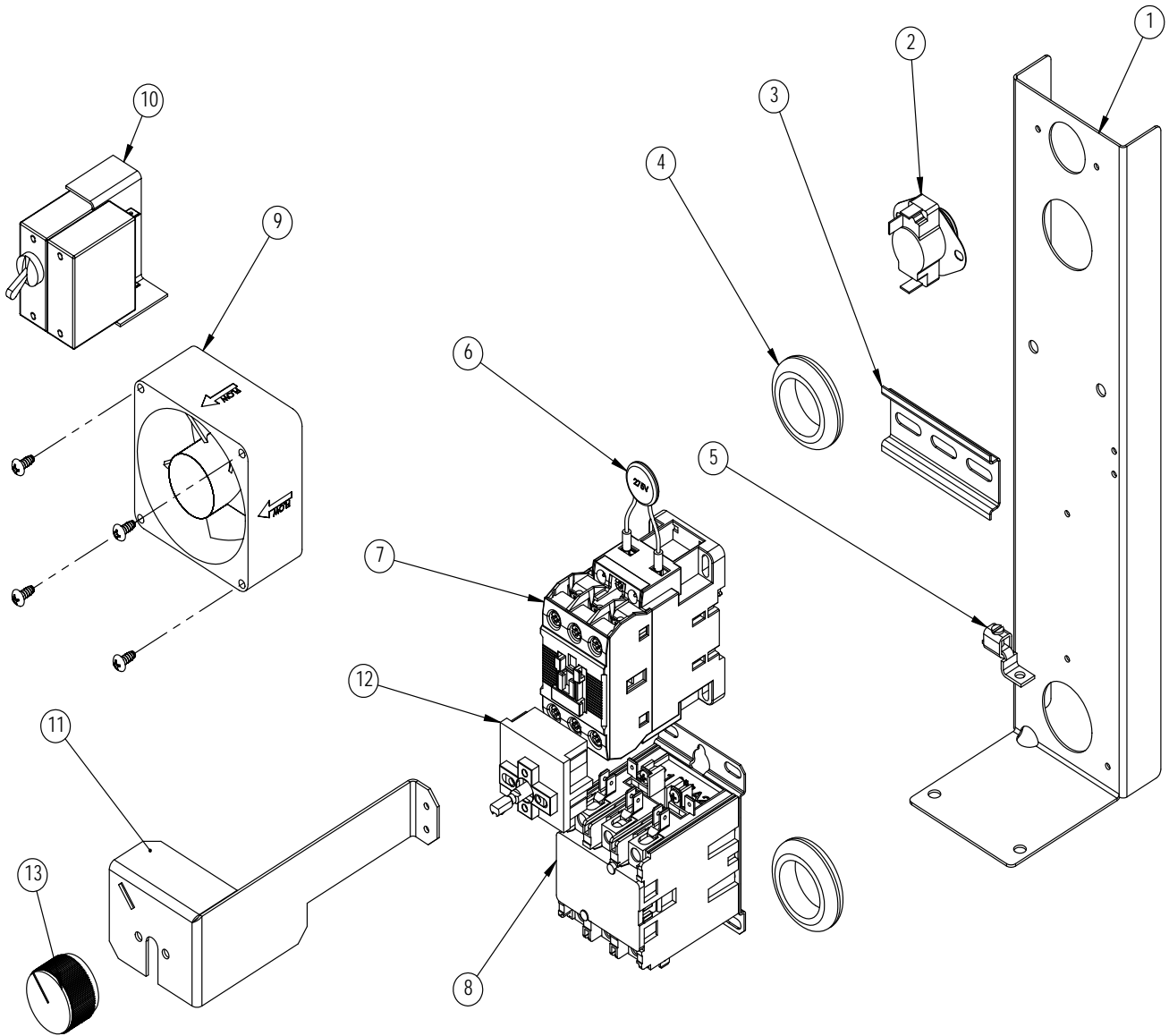
# CT302 CONTROL MODULE



REF. NO.	PART NO.	DESCRIPTION
1	72378	MODULE ASSEMBLY, CT302
2	72345	CONTROL COVER, CT302
3	72532	CONTROL PANEL W/ DECAL, CT302
4	24725	SPACER, SILICONE
5	72533	THERMAL SWITCH, CONTROL
6	72534	TEMP CONTROL, SSD, 550F

REF. NO.	PART NO.	DESCRIPTION
7	36617	KNOB
8	19619	SWITCH, ROCKER, DPST
9	72366	HARNESS, SSD FRONT, CT302 (NOT SHOWN)

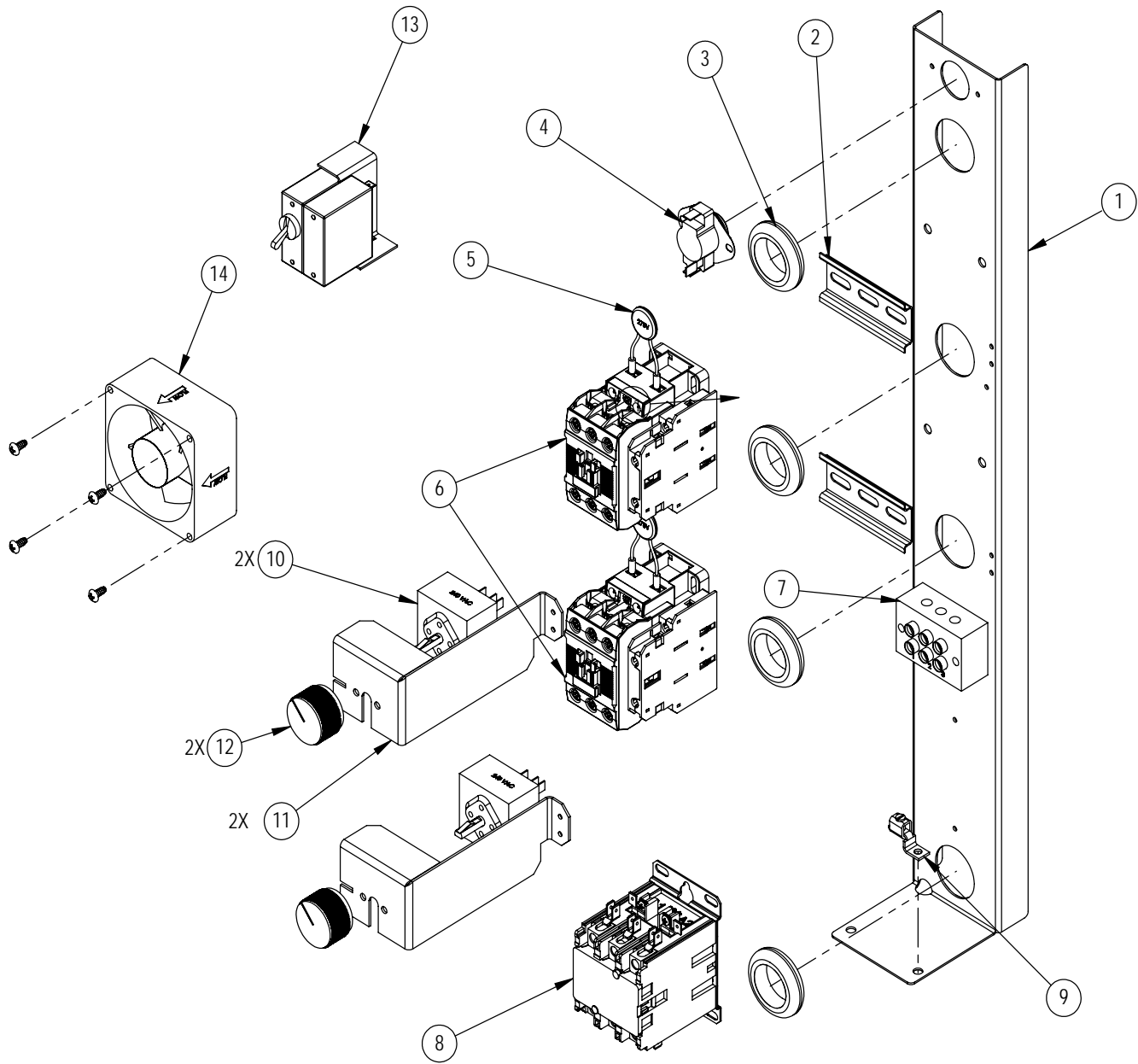
# CT301 ELECTRICAL COMPONENTS



REF. NO.	PART NO.	DESCRIPTION
1	<a href="#">72384</a>	CONTACTOR BRACKET, CT301
2	<a href="#">36755</a>	THERMAL SWITCH, SPDT
3	<a href="#">38428</a>	DIN RAIL, 3"
4	<a href="#">72385</a>	GROMMET, 1-3/8"
5	<a href="#">72395</a>	GROUND LUG, W/ SET SCREW
6	<a href="#">33904</a>	MOV ASSEMBLY, 275V
7	<a href="#">R11087</a>	CONTACTOR, 3 POLE, 40A, 208-240VAC
8	<a href="#">5275</a>	CONTACTOR, 50A, 208-240VAC
	<a href="#">71622</a>	CONTACTOR FOR EXPORT UNITS
9	<a href="#">72527</a>	COOLING FAN, 3"

REF. NO.	PART NO.	DESCRIPTION
10	<a href="#">72387</a>	CIRCUIT BREAKER, 5A, 240VAC
	<a href="#">72391</a>	HARNESS, SSD REAR, CT301
	<a href="#">72392</a>	HARNESS, ELEMENT, 3-PHASE, CT301
	<a href="#">72393</a>	HARNESS, ELEMENT, 3-PHASE, CT301 (EXPORT)
	<a href="#">72394</a>	HARNESS, ELEMENT, 1-PHASE, CT301
11	<a href="#">72658</a>	BRACKET, INFINITE SWITCH
12	<a href="#">100430</a>	SWITCH, INFINITE
13	<a href="#">24684</a>	KNOB, INFINITE SWITCH

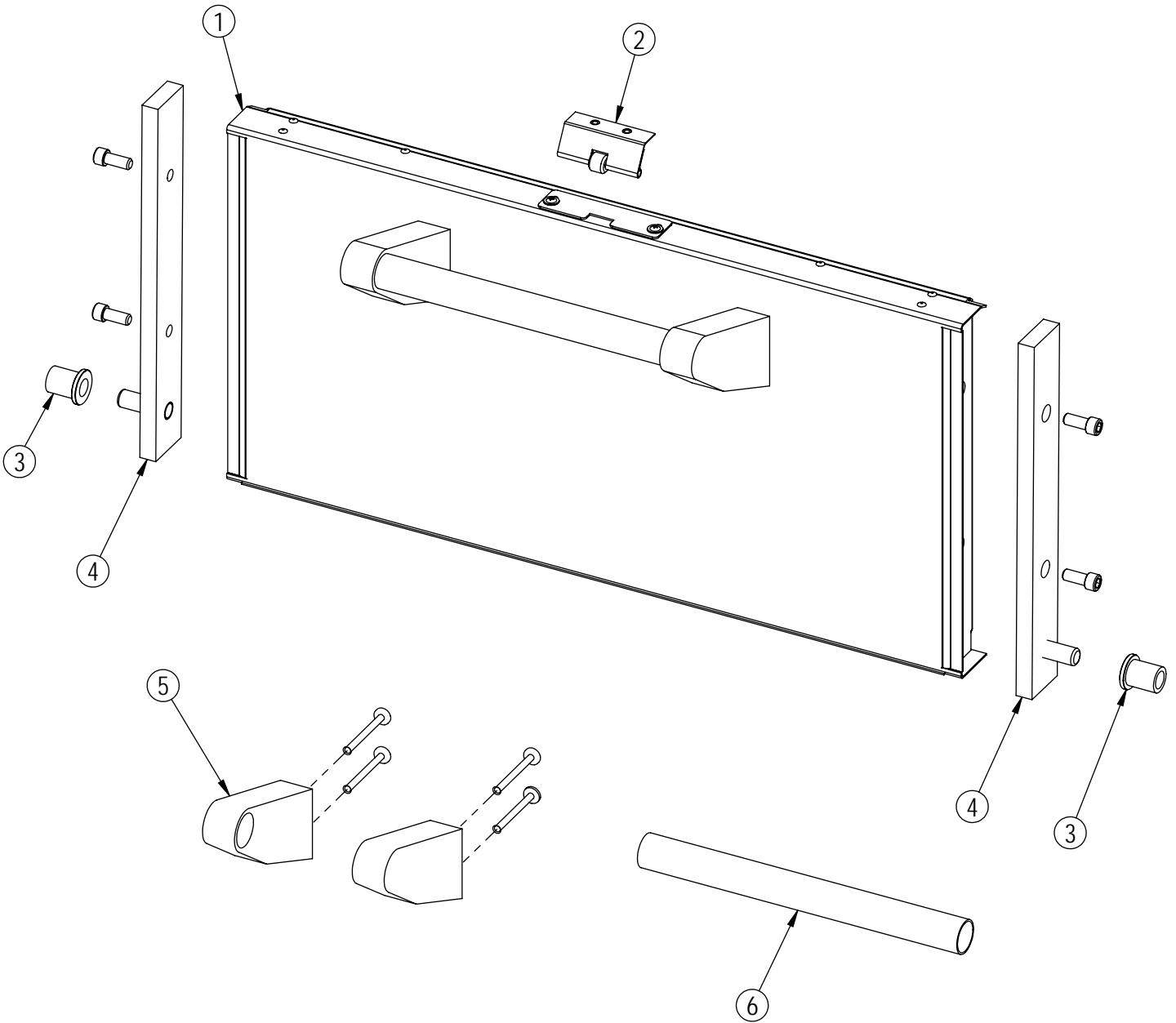
# CT302 ELECTRICAL COMPONENTS



REF. NO.	PART NO.	DESCRIPTION
1	72315	CONTACTOR BRACKET, CT302
2	38428	DIN RAIL, 3"
3	72385	GROMMET, 1-3/8"
4	36755	THERMAL SWITCH, SPDT
5	33904	MOV ASSY, 275V
6	R11087	CONTACTOR, 3 POLE, 40A, 208-240VAC
7	5281	BLOCK TERMINAL, 90A 3-POLE
8	5275	CONTACTOR, 50A, 208-240V
	71622	CONTACTOR FOR EXPORT UNITS
9	72395	GROUND LUG, W/ SET SCREW
10	52694	SWITCH, INFINITE (BEFORE 10/9/18)

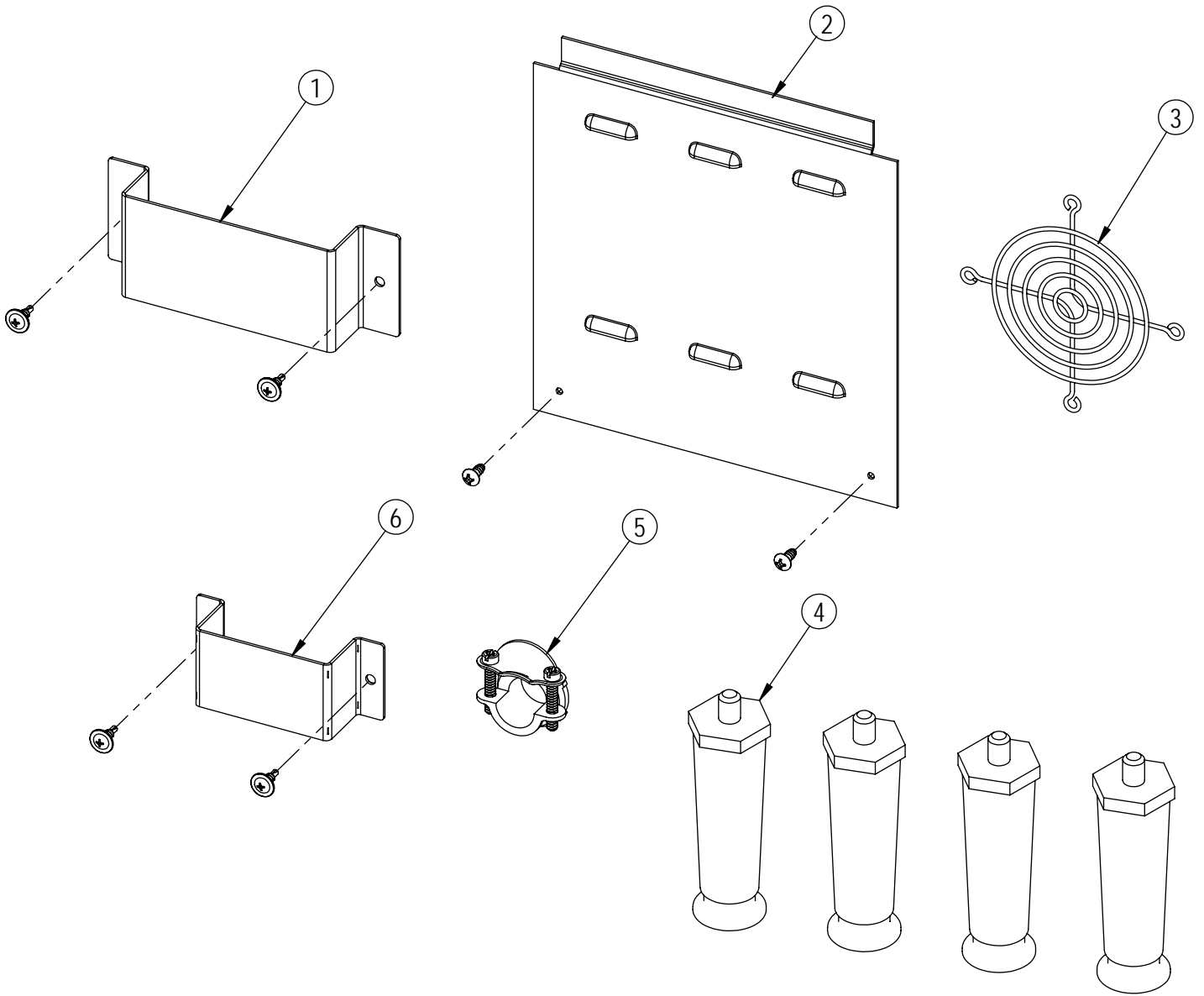
REF. NO.	PART NO.	DESCRIPTION
	100430	SWITCH INFINITE (AFTER 10/9/18)
11	72656	BRACKET, INFINITE SWITCH
12	24684	KNOB, INFINITE SWITCH
13	72387	CIRCUIT BREAKER, 5A, 240VAC
14	72527	COOLING FAN, 3"
	72367	HARNESS, SSD REAR, CT302
	72368	HARNESS, ELEMENT, 3-PHASE, CT302
	72379	HARNESS, ELEMENT, 3-PHASE, CT302 (EXPORT)
	72380	HARNESS, ELEMENT, 1-PHASE, CT302

# DOOR COMPONENTS



REF. NO.	PART NO.	DESCRIPTION
1	72369	DOOR ASSEMBLY
2	20527	LATCH ASSEMBLY
3	70154	BUSHING, DOOR PIN
4	72528	DOOR HINGE
5	71892	HANDLE BRACKETS
6	71330	DOOR HANDLE, 10"

# EXTERIOR COMPONENTS



REF. NO.	PART NO.	DESCRIPTION
1	<a href="#">72535</a>	VENT GUARD
2	<a href="#">72537</a>	ACCESS PANEL
3	<a href="#">72386</a>	FAN GUARD
4	<a href="#">72526</a>	LEG SET, 4"
5	71574	CORD GRIP, SCREW-DOWN, 3/4"
6	<a href="#">72536</a>	SWITCH GUARD