



**MB SERIES: MB 42, MB 60 AND MB 866  
4, 6 AND 8 PIE PIZZA OVENS  
REPLACEMENT PARTS LIST**

**EFFECTIVE JULY 10, 2018**

Superseding All Previous Parts Lists.

The Company reserves the right to make substitution in the event that items specified are not available.

ERRORS: Descriptive and/or typographic errors are subject to correction.

---

**MARSAL**

42 Allen Martin Drive, Essex Junction, VT 05452 USA Telephone: (802) 658-6600 Fax: (802) 864-0183  
[www.marsalovens.com](http://www.marsalovens.com)

*P/N 72097 Rev K*

# TABLE OF CONTENTS

## **BURNER COMPARTMENT COMPONENTS**

MB 42 OVEN .....	3
MB 60 OVEN .....	4
MB 866 OVEN .....	5

## **BAKING COMPARTMENT COMPONENTS**

MB 42 OVEN .....	6
MB 60 OVEN .....	7
MB 866 OVEN .....	8

## **BURNER AND PIPING PARTS**

MB 42 OVEN .....	9
MB 60 OVEN .....	10
MB 866 OVEN .....	11
PILOT UPGRADE SAFETY VALVE KIT FOR OVENS BUILT BEFORE 10/8/2008 ...	12
GAS CONVERSION KITS.....	12

## **DOOR PARTS**

MB 42 OVEN .....	13
MB 60 OVEN .....	14
MB 866 OVEN .....	15

## **MB LIGHT ASSEMBLY AND ELECTRICAL**

ALL OVENS .....	16
-----------------	----

## **MB CONTROL DOOR AND FLUES**

ALL OVENS .....	17
-----------------	----

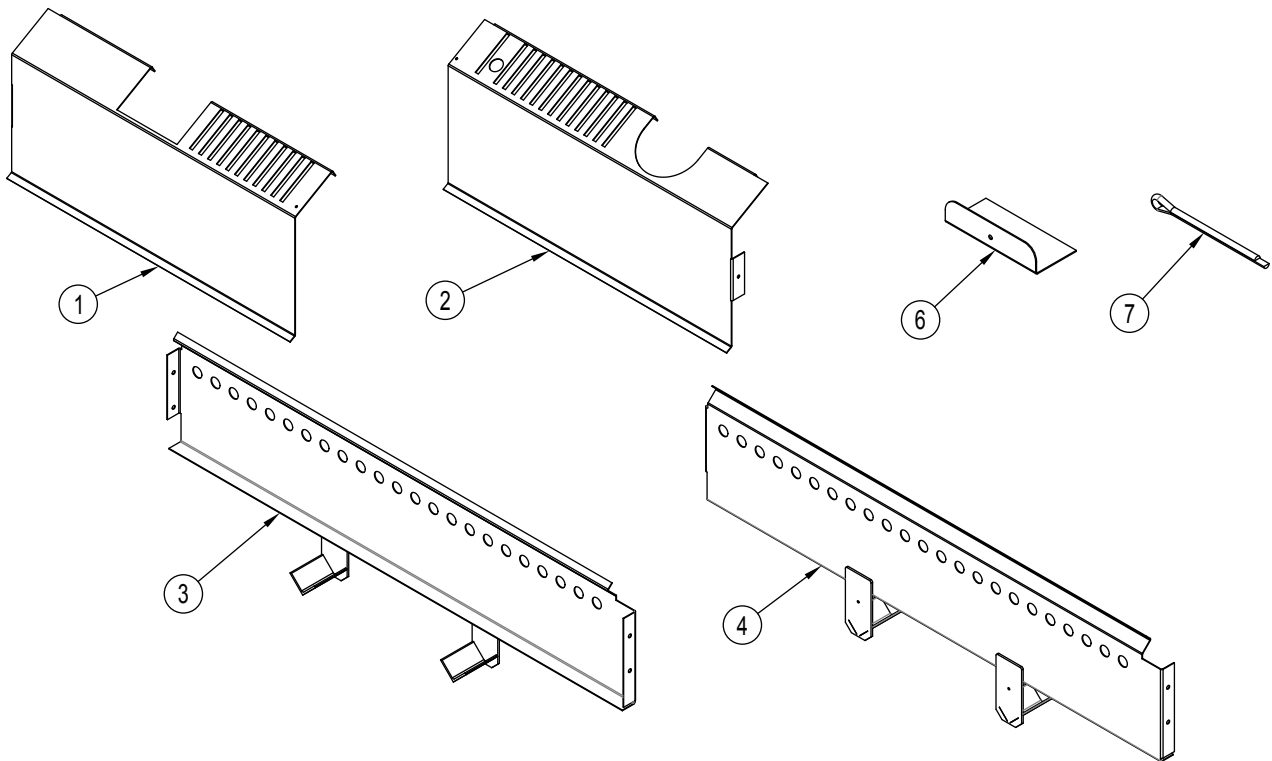
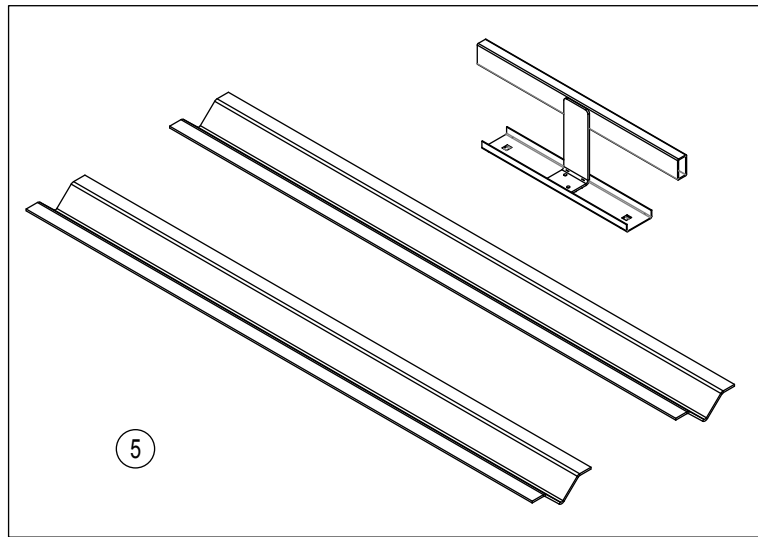
## **CE APPROVED COMPONENTS**

ALL OVENS .....	18
-----------------	----

<b>ACCESSORIES</b> .....	19
--------------------------	----

# BURNER COMPARTMENT COMPONENTS

## MB 42 OVEN

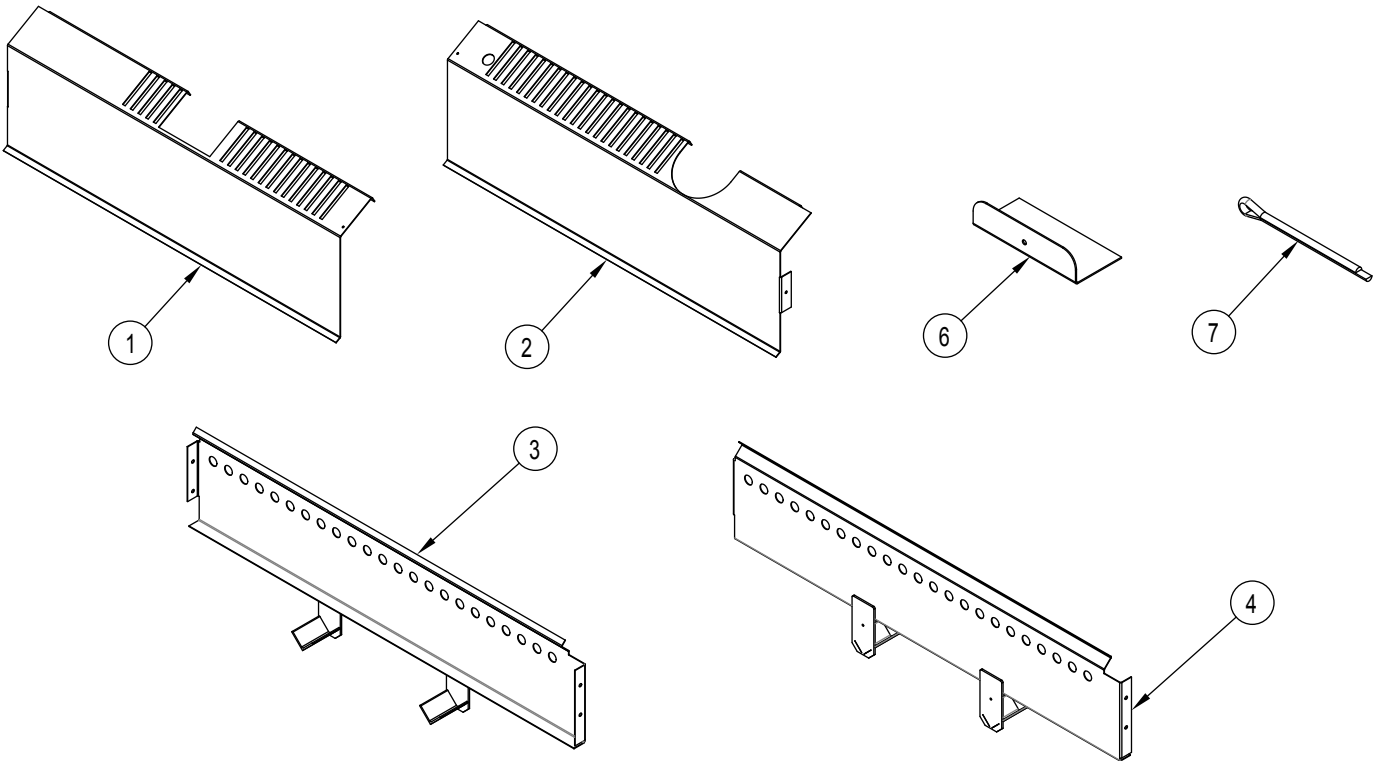
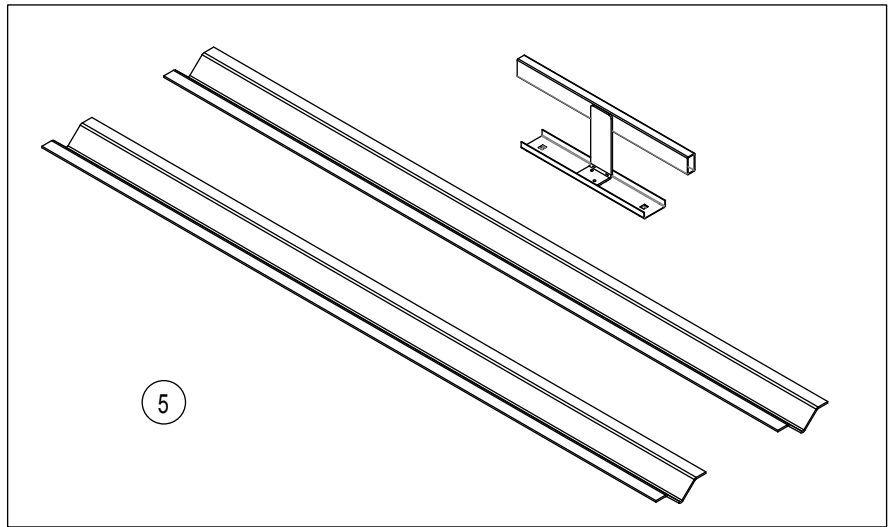


REF. NO.	PART NO.	DESCRIPTION
1	70298	Heat Shield, LH
2	70297	Heat Shield, RH
3	70081	Baffle Assy., LH
4	70082	Baffle Assy., RH

REF. NO.	PART NO.	DESCRIPTION
5	71895	Deflector Kit
6	70057	Flame Deflector Hold Down
7	70084	Cotter Pin

# BURNER COMPARTMENT COMPONENTS

## MB 60 OVEN

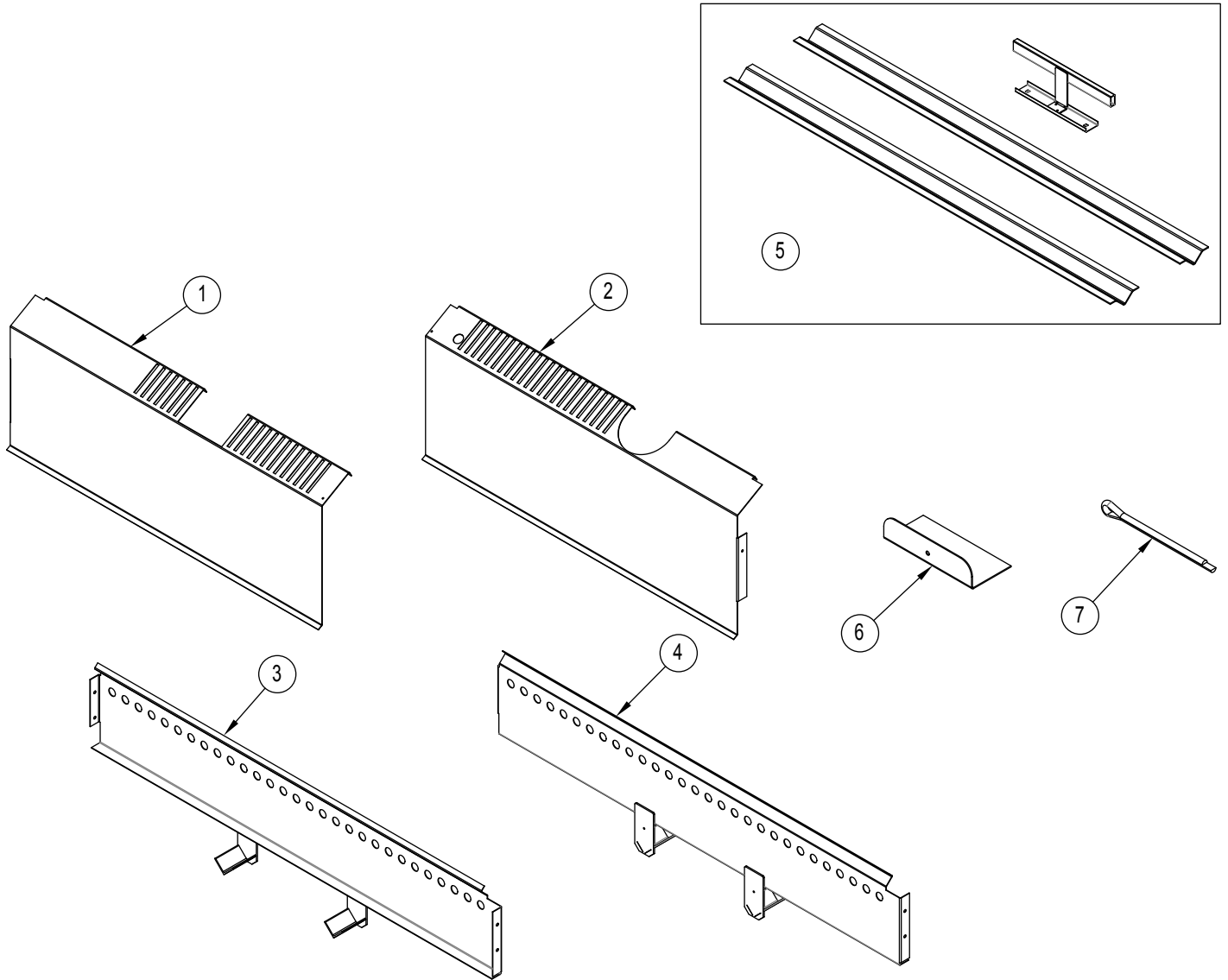


REF. NO.	PART NO.	DESCRIPTION
1	70054	Heat Shield, LH
2	70053	Heat Shield, RH
3	70081	Baffle Assy., LH
4	70082	Baffle Assy., RH

REF. NO.	PART NO.	DESCRIPTION
5	71896	Deflector Kit
6	70057	Flame Deflector Hold Down
7	70084	Cotter Pin

# BURNER COMPARTMENT COMPONENTS

## MB 866 OVEN

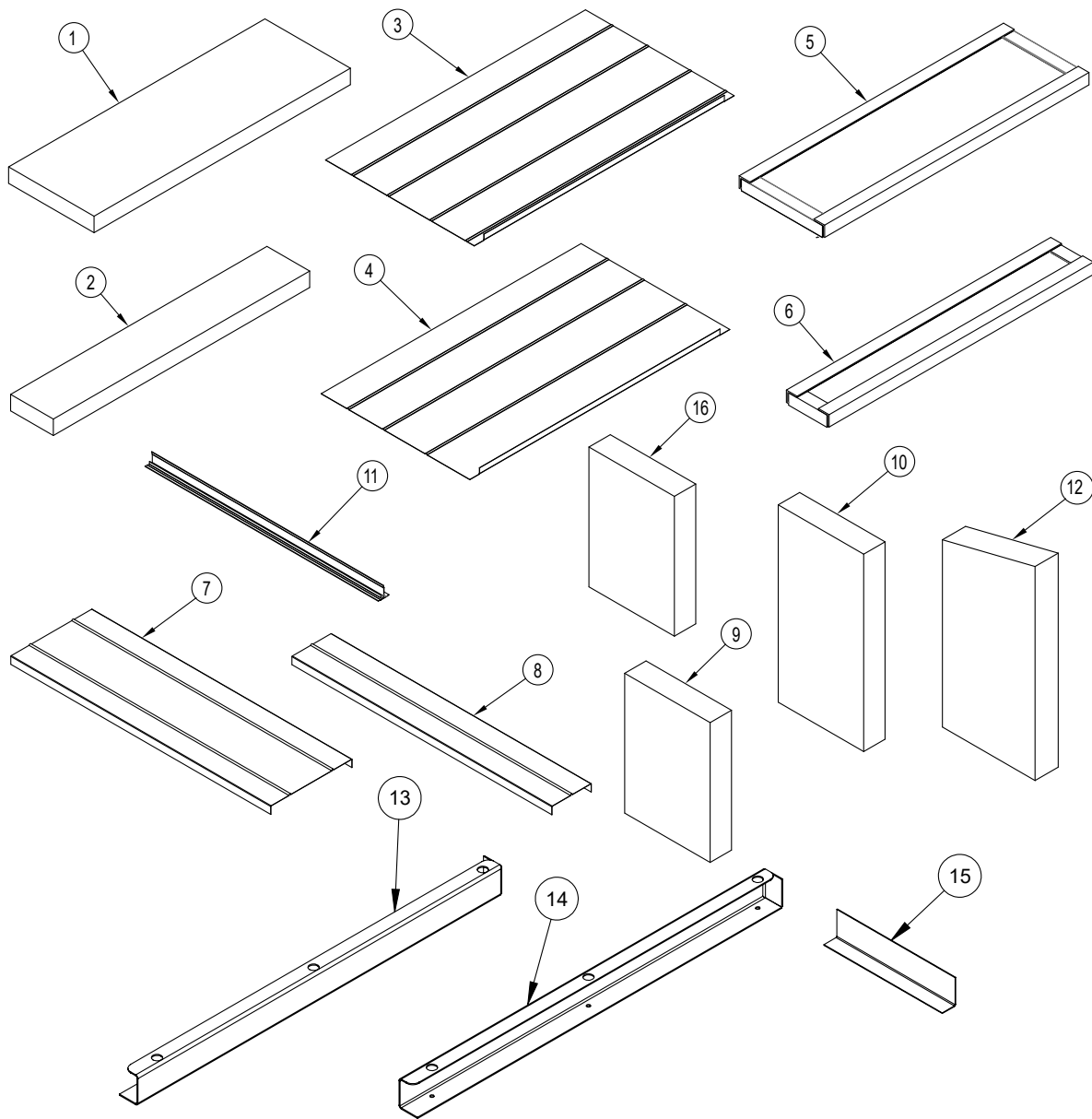


REF. NO.	PART NO.	DESCRIPTION
1	70540	Heat Shield, LH
2	70541	Heat Shield, RH
3	70544	Baffle Assy., LH
4	70545	Baffle Assy., RH

REF. NO.	PART NO.	DESCRIPTION
5	71900	Deflector Kit
6	70057	Flame Deflector Hold Down
7	70084	Cotter Pin

# BAKING COMPARTMENT COMPONENTS

## MB 42 OVEN

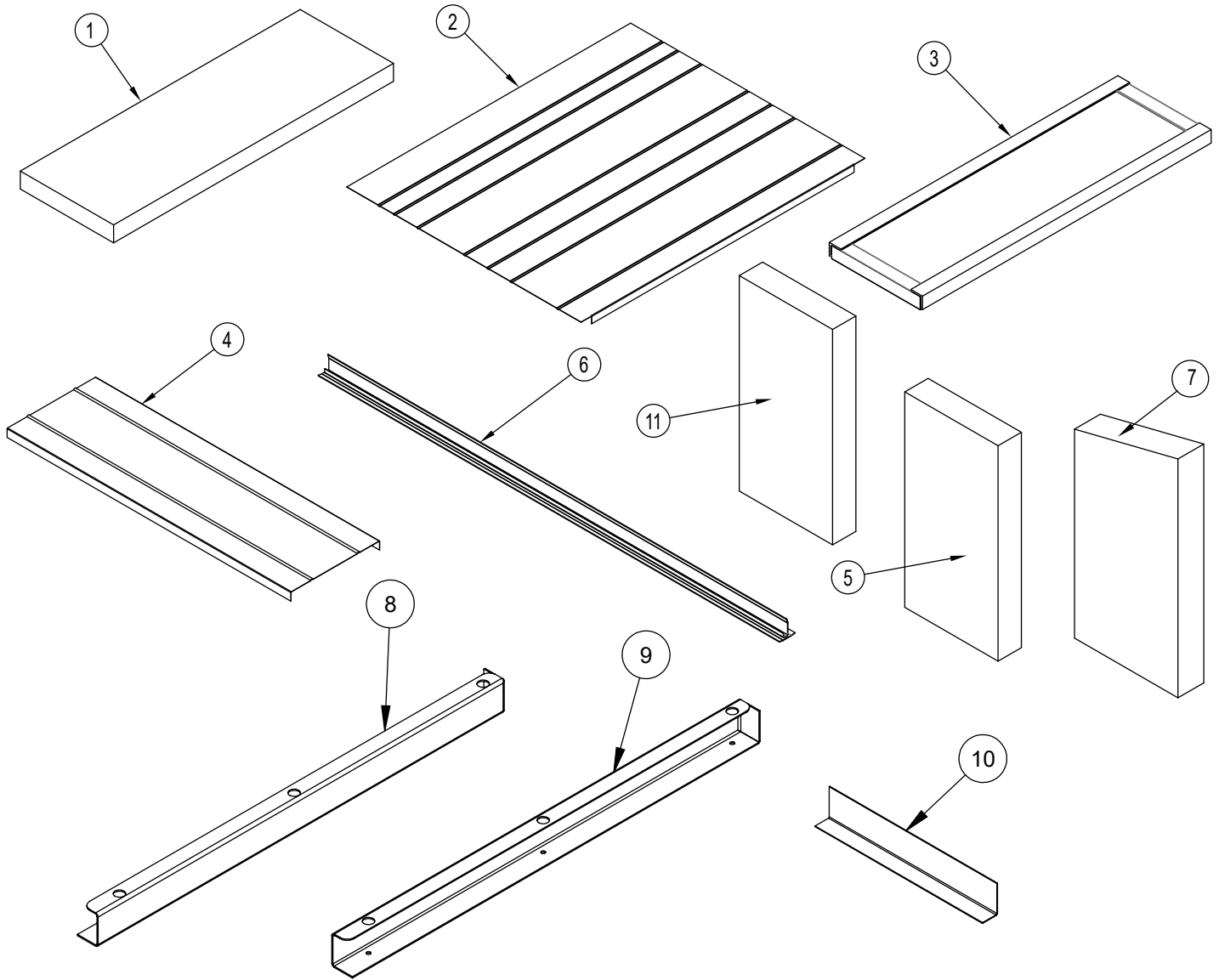


REF. NO.	PART NO.	DESCRIPTION
1	70248	Deck Stone, 12" x 36" x 2" (3 per oven)
2	70249	Deck Stone, 6" x 36" x 2" (1 per oven)
3	70294	Brick Plate, LH
4	70670	Brick Plate, RH
5	70058	Brick Base, 37 $\frac{1}{8}$ " x 12" (3 per oven)
6	70291	Brick Base, 37 $\frac{1}{8}$ " x 6" (1 per oven)
7	70059	Brick Baffle (3 per oven)
8	70293	Brick Baffle (1 per oven)
9	70857	Ceiling Brick, 6" x 9 $\frac{1}{4}$ " x 1 $\frac{1}{2}$ "

REF. NO.	PART NO.	DESCRIPTION
10	70073	Ceiling/Back Brick, 6" x 12" x 1 $\frac{1}{2}$ "
11	70474	Crumb Catcher
12	70229	Back Brick, Angled
13	70109	Brick Bracket, Top Left
14	70110	Brick Bracket, Top Right
15	70319	Brick Bracket, Top End, 9 $\frac{1}{4}$ " long
15	70111	Brick Bracket, Top End, 11 $\frac{3}{4}$ " long
16	70214	Back Brick, 6" x 10" x 1 $\frac{1}{2}$ "

# BAKING COMPARTMENT COMPONENTS

## MB 60 OVEN

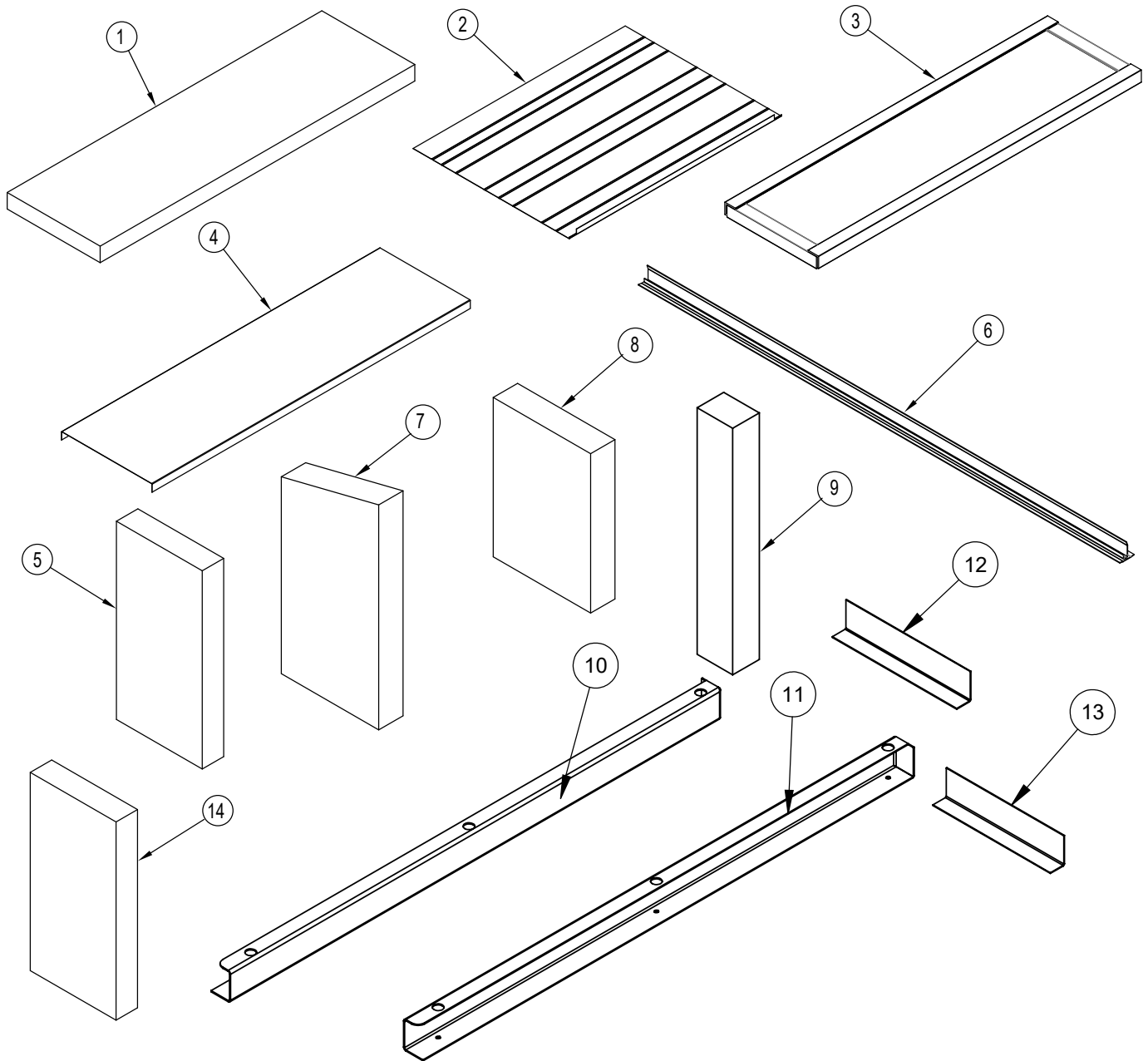


REF. NO.	PART NO.	DESCRIPTION
1	70248	Deck Stone, 12" x 36" x 2"
2	70060	Brick Plate
3	70058	Brick Base, 37 $\frac{1}{8}$ " x 12"
4	70059	Brick Baffle
5	70073	Ceiling/Back Brick, 6" x 12" x 1 $\frac{1}{2}$ "
6	70476	Crumb Catcher

REF. NO.	PART NO.	DESCRIPTION
7	70229	Back Brick, Angled, 6" x 12" x 1 $\frac{1}{2}$ "
8	70109	Brick Bracket, Top Left
9	70110	Brick Bracket, Top Right
10	70111	Brick Bracket, Top End
11	70214	Back Brick, 6" x 10" x 1 $\frac{1}{2}$ "

# BAKING COMPARTMENT COMPONENTS

## MB 866 OVEN

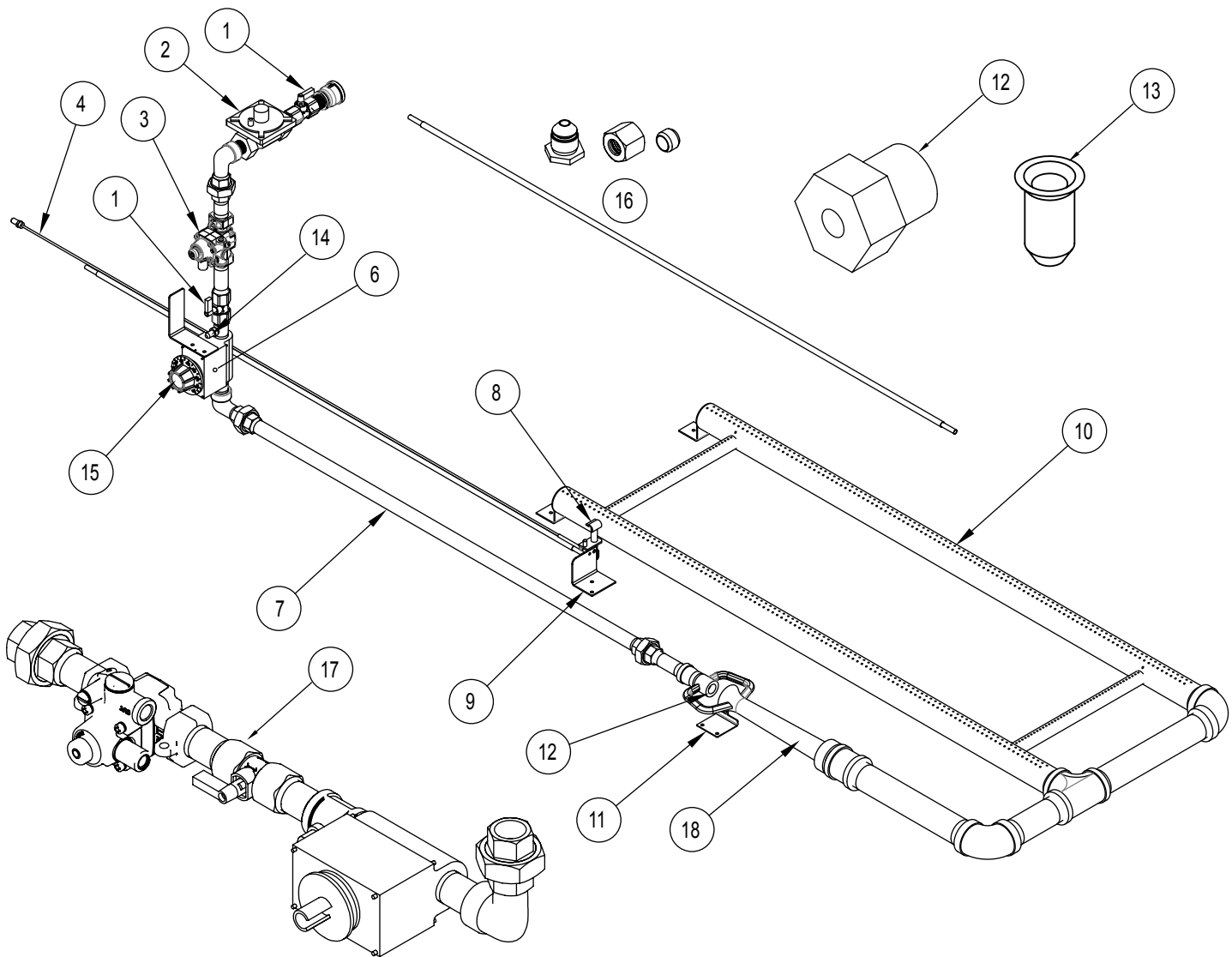


REF. NO.	PART NO.	DESCRIPTION
1	70389	Deck Stone, 13" x 44" x 2"
2	70549	Brick Plate
3	70546	Brick Base, 45 $\frac{1}{8}$ " x 13"
4	70548	Brick Baffle
5	70073	Ceiling/Back Brick, 6" x 12" x 1 $\frac{1}{2}$ "
6	70477	Crumb Catcher
7	70229	Back Brick, Angled, 6" x 12" x 1 $\frac{1}{2}$ "
8	70259	Ceiling Brick, 8 $\frac{1}{2}$ " x 6" x 1 $\frac{1}{2}$ "

REF. NO.	PART NO.	DESCRIPTION
9	70257	Ceiling Brick, 2" x 12" x 1 $\frac{1}{2}$ "
9	70258	Ceiling Brick, 2" x 8 $\frac{1}{2}$ " x 1 $\frac{1}{2}$ "
10	70552	Brick Bracket, Top Left
11	70551	Brick Bracket, Top Right
12	70111	Brick Bracket, Top End, 11 $\frac{3}{4}$ " long
13	70851	Brick Bracket, Top End, 8 $\frac{3}{4}$ " long
14	70214	Back Brick, 6" x 10" x 1 $\frac{1}{2}$ "

# BURNER AND PIPING PARTS

## MB 42 OVEN



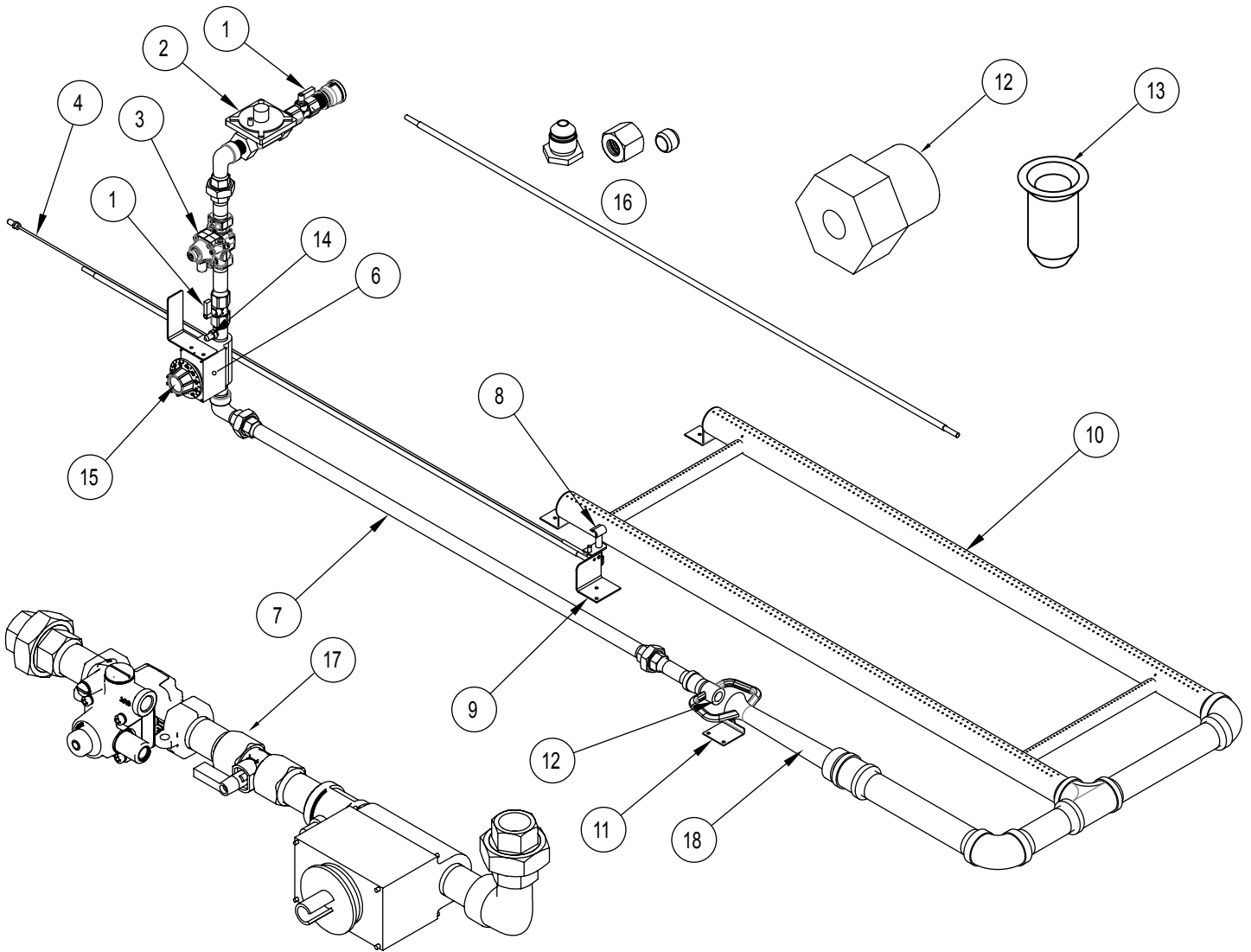
REF. NO.	PART NO.	DESCRIPTION
1	70380	Ball Valve
2*	71881	Gas Regulator, NAT
	71882	Gas Regulator, LP
3*	55127	TS11 Safety Valve, 1/4" Tube Fit
4	52091	Thermocouple, 48" Lead
6*	71880	Thermostat, 300-650°F w/knob
7	70299	Nipple, 1/2 NPT x 23"
8	55132	Pilot Assy, NAT (order with 70482 LP Pilot orifice for LP Ovens)
9	70100	Pilot Bracket
10	70286	Burner Assy
11	70049	Venturi Stopper, NAT

REF. NO.	PART NO.	DESCRIPTION
12	70381	Orifice, NAT, #22 MTD
	70382	Orifice, LP, #33 MTD
13	70481	Pilot Orifice, NAT
	70482	Pilot Orifice, LP
14	70434	Pressure Tap, 1/8
15*	70044	Knob, Thermostat
16	72290	Pilot Tube Kit, 42"
17	70040	Stack Assembly
18	70094	Venturi

*\* SEE "CE APPROVED COMPONENTS" AT THE END OF THIS DOCUMENT*

# BURNER AND PIPING PARTS

## MB 60 OVEN



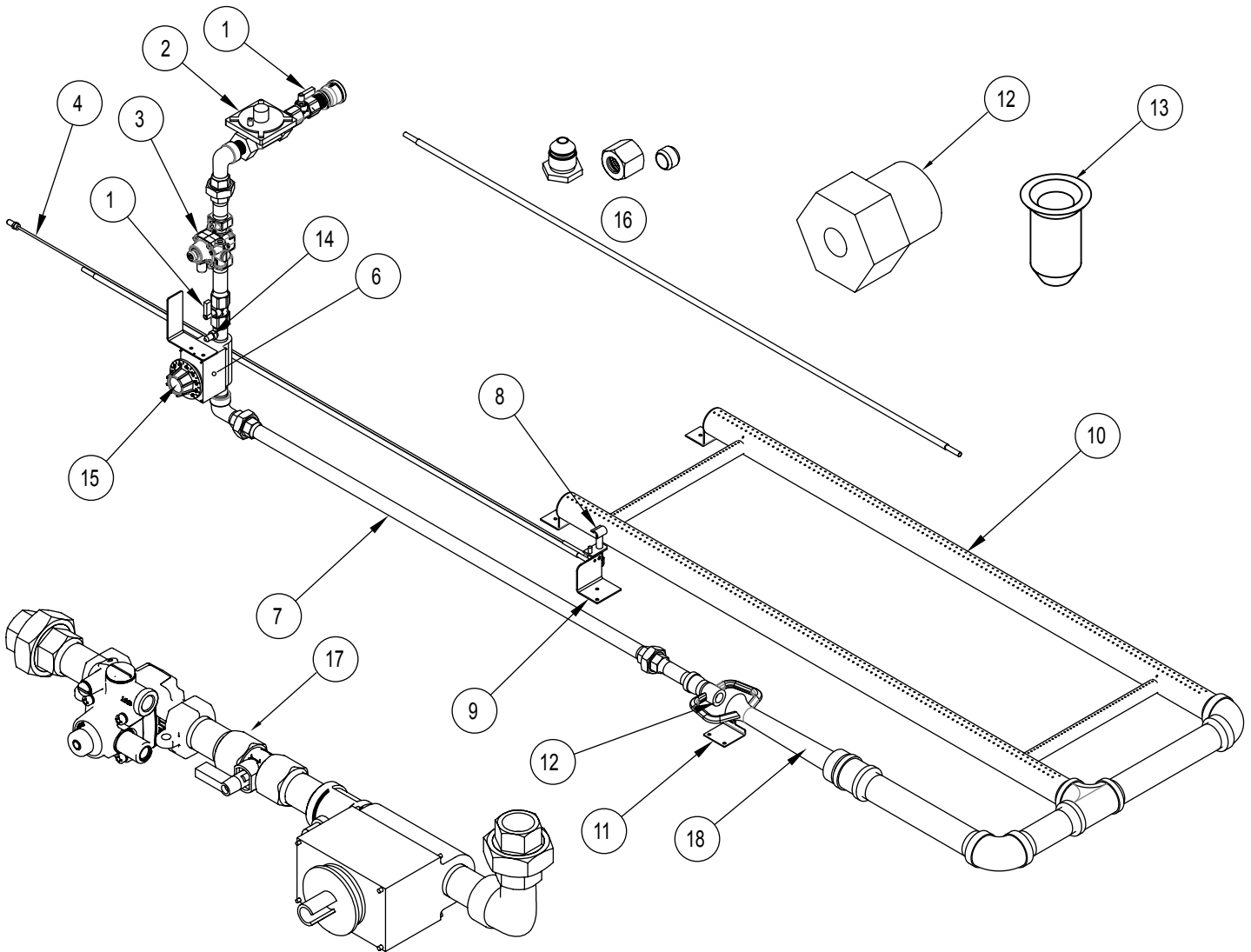
REF. NO.	PART NO.	DESCRIPTION
1	70380	Ball Valve
2*	71881	Gas Regulator Kit, NAT
	71882	Gas Regulator Kit, LP
3*	55127	TS11 Safety Valve, 1/4" Tube Fit
4	52091	Thermocouple, 48" Lead
6*	71880	Thermostat, 300-650°F w/knob
7	70042	Pipe, 1/2 NPT x 33.25"
8	55132	Pilot Assy, NAT (order with 70482 LP Pilot orifice for LP Ovens)
9	70100	Pilot Bracket
10	70099	Burner Assy
11	70049	Venturi Stopper, NAT

REF. NO.	PART NO.	DESCRIPTION
12	70383	Orifice, NAT, 3/16"
	70384	Orifice, LP, #30 MTD
13	70481	Pilot Orifice, NAT
	70482	Pilot Orifice, LP
14	70434	Pressure Tap, 1/8
15*	70044	Knob, Thermostat
16	72290	Pilot Tube Kit, 42"
17	70040	Stack Assembly
18	70094	Venturi

\* SEE "CE APPROVED COMPONENTS" AT THE END OF THIS DOCUMENT

# BURNER AND PIPING PARTS

## MB 866 OVEN



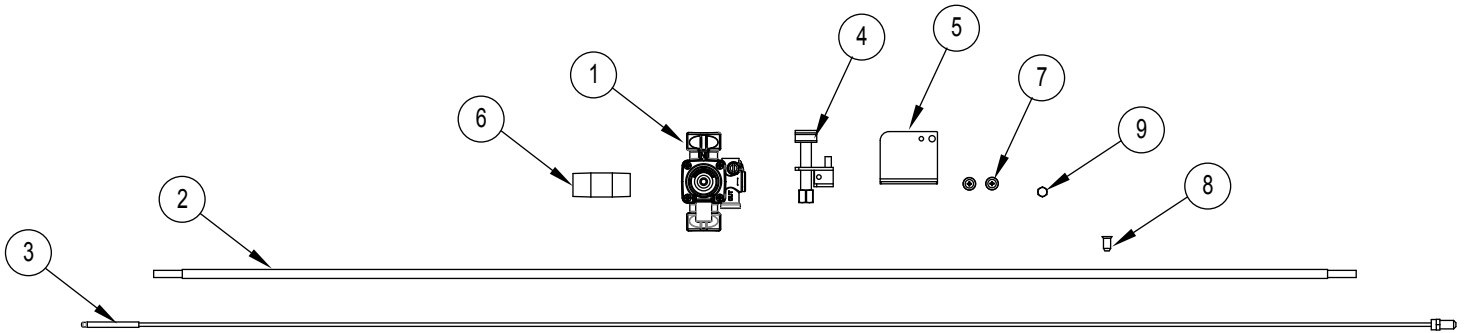
REF. NO.	PART NO.	DESCRIPTION
1	70380	Ball Valve
2*	71881	Gas Regulator Kit, NAT
	71882	Gas Regulator Kit, LP
3*	55127	TS11 Safety Valve, 1/4" Tube Fit
4	52091	Thermocouple, 48" Lead
6*	71880	Thermostat, 300-650°F w/knob
7	70042	Pipe, 1/2 NPT x 33.25"
8	55132	Pilot Assy, NAT (order with 70482 LP Pilot orifice for LP Ovens)
9	70100	Pilot Bracket
10	70536	MB 866 Burner Assy
11	70049	Venturi Stopper, NAT

REF. NO.	PART NO.	DESCRIPTION
12	70383	Orifice, NAT, 3/16"
	70384	Orifice, LP, #30 MTD
13	70481	Pilot Orifice, NAT
	70482	Pilot Orifice, LP
14	70434	Pressure Tap, 1/8
15*	70044	Knob, Thermostat
16	72291	Pilot Tube Kit, 48"
17	70040	Stack Assembly
18	70094	Venturi

\* SEE "CE APPROVED COMPONENTS" AT THE END OF THIS DOCUMENT

# BURNER AND PIPING PARTS

## PILOT UPGRADE SAFETY VALVE KIT FOR OVENS BUILT BEFORE 10/8/2008

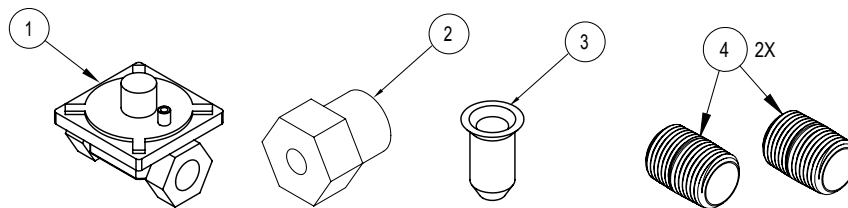


REF. NO.	PART NO.	DESCRIPTION
	<b>70376</b>	<b>Pilot Upgrade Safety Valve Kit Includes the following Parts</b>
1	55127	TS11 Safety Valve
2	70046	Pilot Tubing, 42"
3	52091	Thermocouple, 48" Lead
4	55132	Pilot Assy, NAT*
5	70100	Pilot Bracket

REF. NO.	PART NO.	DESCRIPTION
6	70233	Nipple, 1/2" x 2" black
7	70272	Screw, 8-18 x 1/2 Drill Point (qty. 2)
8	70482	.010 Pilot Orifice Cup, LP
9	71852	Screw, 10-32 x 1/4 Hex Head

\*REPLACE INCLUDED ORIFICE WITH 70482 FOR LP OVENS.

## GAS CONVERSION KITS



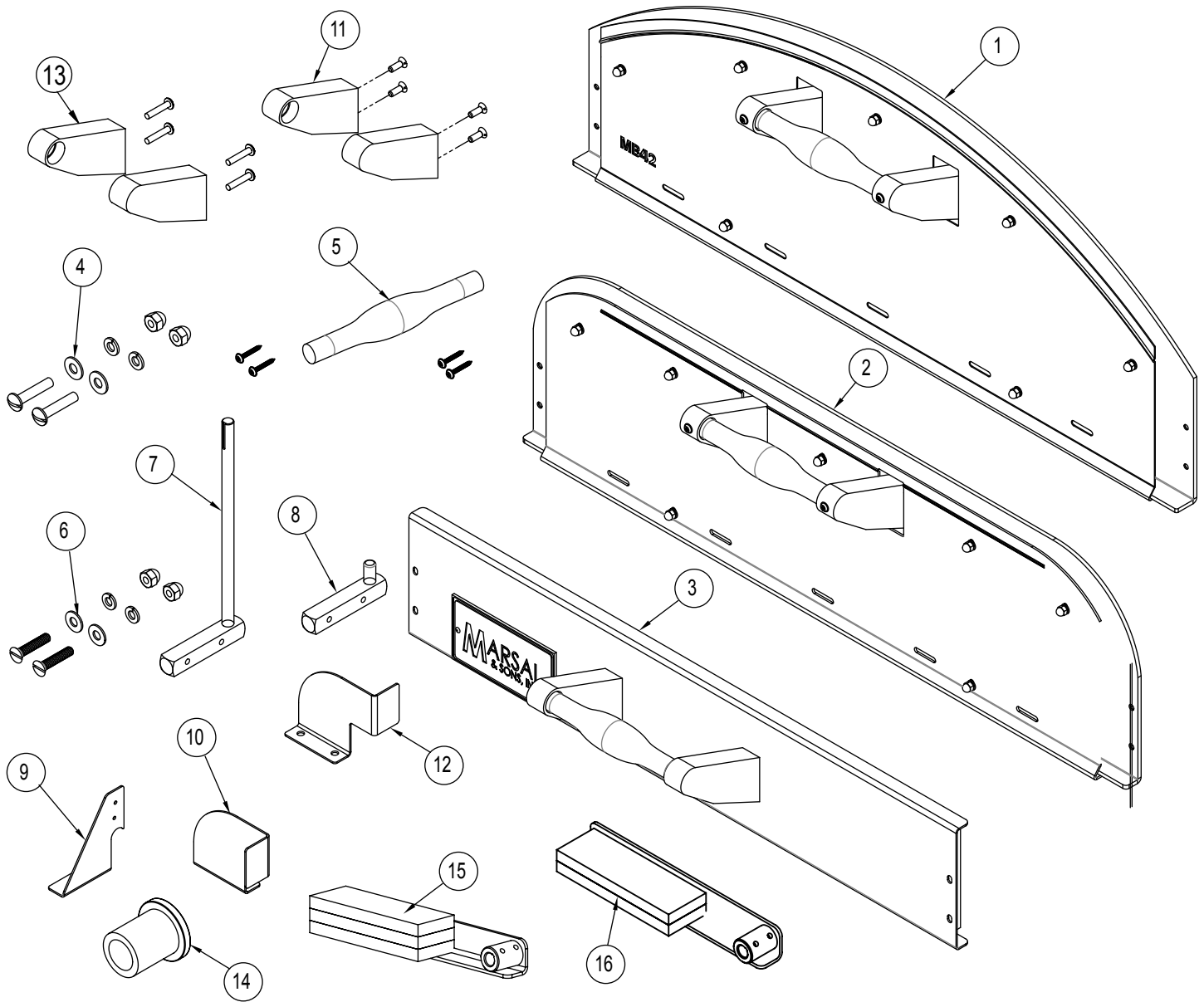
REF. NO.	PART NO.	DESCRIPTION
	71987	Natural to LP Gas Conversion Kit
1	70386	Gas Regulator, LP
2	See Chart	Burner Orifice
3	70482	Pilot Orifice, LP
4	70255	Close Nipple, 1/2 NPT (Qty 2)

MB BURNER ORIFICES		
MODEL	NATURAL	PROPANE
MB236	70382	70471
MB42	70381	70492
MB60	70383	70491
MB866	70383	70491

REF. NO.	PART NO.	DESCRIPTION
	71988	LP to Natural Gas Conversion Kit
1	70385	Gas Regulator, NAT
2	See Chart	Burner Orifice
3	70481	Pilot Orifice, NAT
4	70255	Close Nipple, 1/2 NPT (Qty 2)

# DOOR PARTS

## MB 42 OVEN

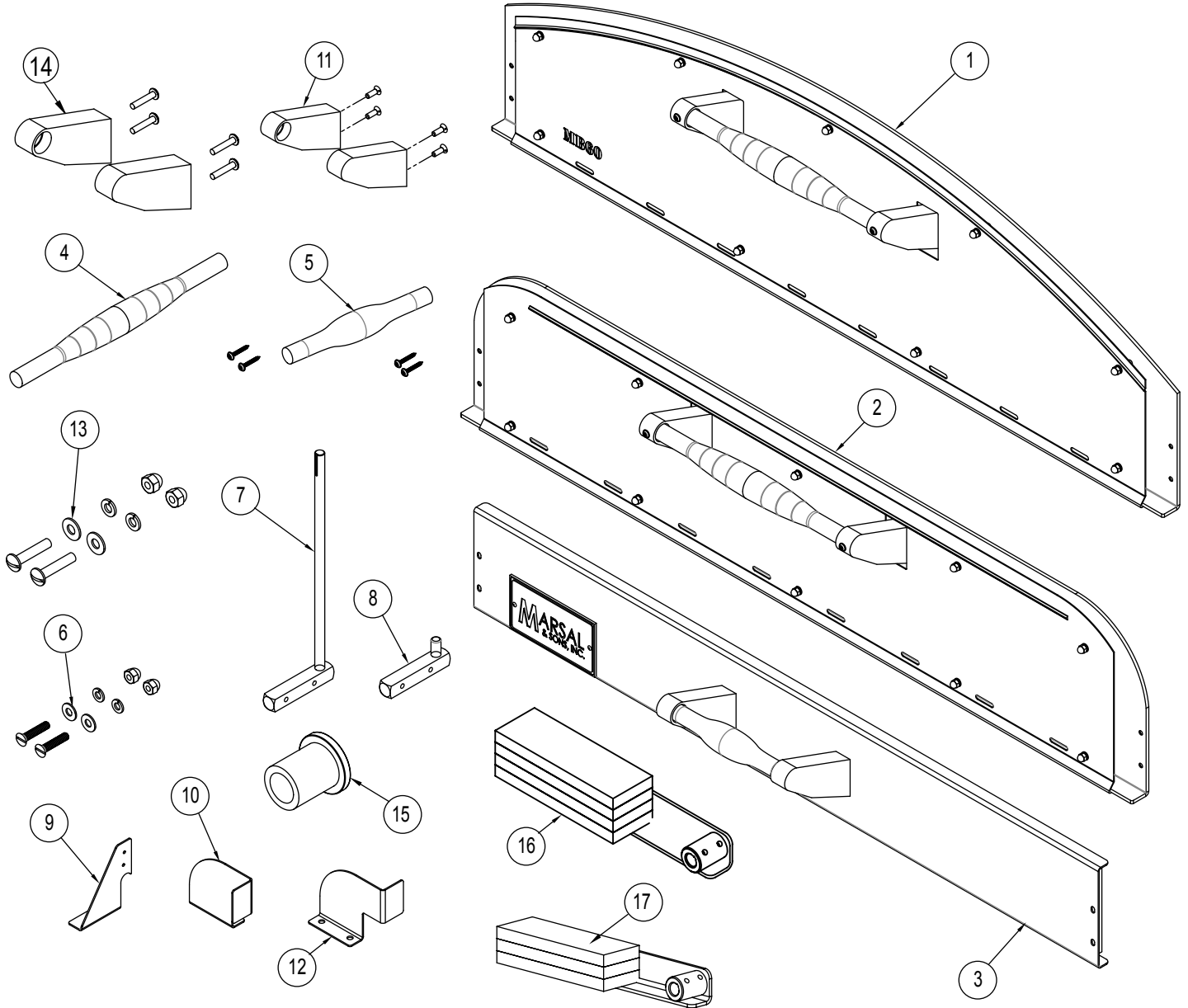


REF. NO.	PART NO.	DESCRIPTION
1	71921	Baking Door, Top Section
2	71925	Baking Door, Bottom Section
3	71977	Burner Door Assy
4	71930	Door Hinge Hardware Kit, Burner Door
5	71884	Door Handle Kit, 8-3/4"
6	71885	Door Hinge Hardware Kit, Baking Door
7	70392	Baking Door Hinge Assy, LH
8	70143	Door Hinge Assy (burner door, LH & RH, baking door RH)

REF. NO.	PART NO.	DESCRIPTION
9	70230	Door Stop, Baking RH
10	70671	Door Stop, Burner RH
11	71911	MB Door Handle Bracket Kit
12	70107	Door Stop, Burner LH
13	71985	Burner Handle Bracket Kit
14	70154	Bushing, Door Pin
15	70324	Counter Weight Assy, 3-Bar
16	70351	Counter Weight Assy, 2-Bar

# DOOR PARTS

## MB 60 OVEN

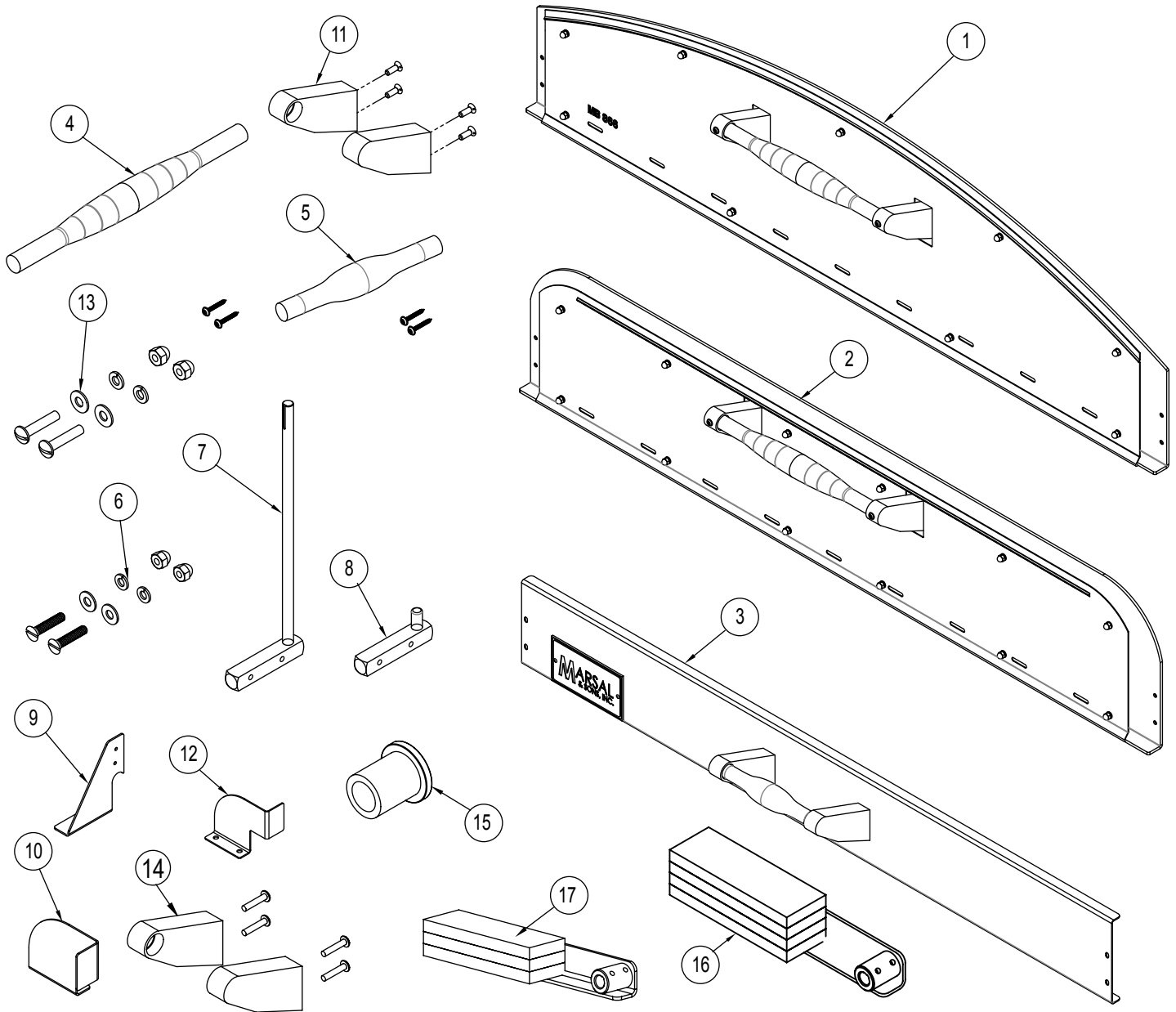


REF. NO.	PART NO.	DESCRIPTION
1	71920	Baking Door, Top Section
2	71924	Baking Door, Bottom Section
3	71976	Burner Door Assy
4	71883	Door Handle Kit, 14-1/2"
5	71884	Door Handle Kit, 8-3/4"
6	71885	Door Hinge Hardware Kit, Baking Door
7	70145	Baking Door Hinge Assy, LH
8	70143	Door Hinge Assy (burner door, LH & RH, baking door RH)

REF. NO.	PART NO.	DESCRIPTION
9	70230	Door Stop
10	70671	Door Stop, Burner RH
11	71911	MB Door Handle Bracket Kit
12	70107	Door Stop, Burner LH
13	71930	Door Hinge Hardware Kit, Burner Door
14	71985	Burner Handle Bracket Kit
15	70154	Bushing, Door Pin
16	70153	Counter Weight Assy, 4-Bar
17	70324	Counter Weight Assy, 3-Bar

# DOOR PARTS

## MB 866 OVEN

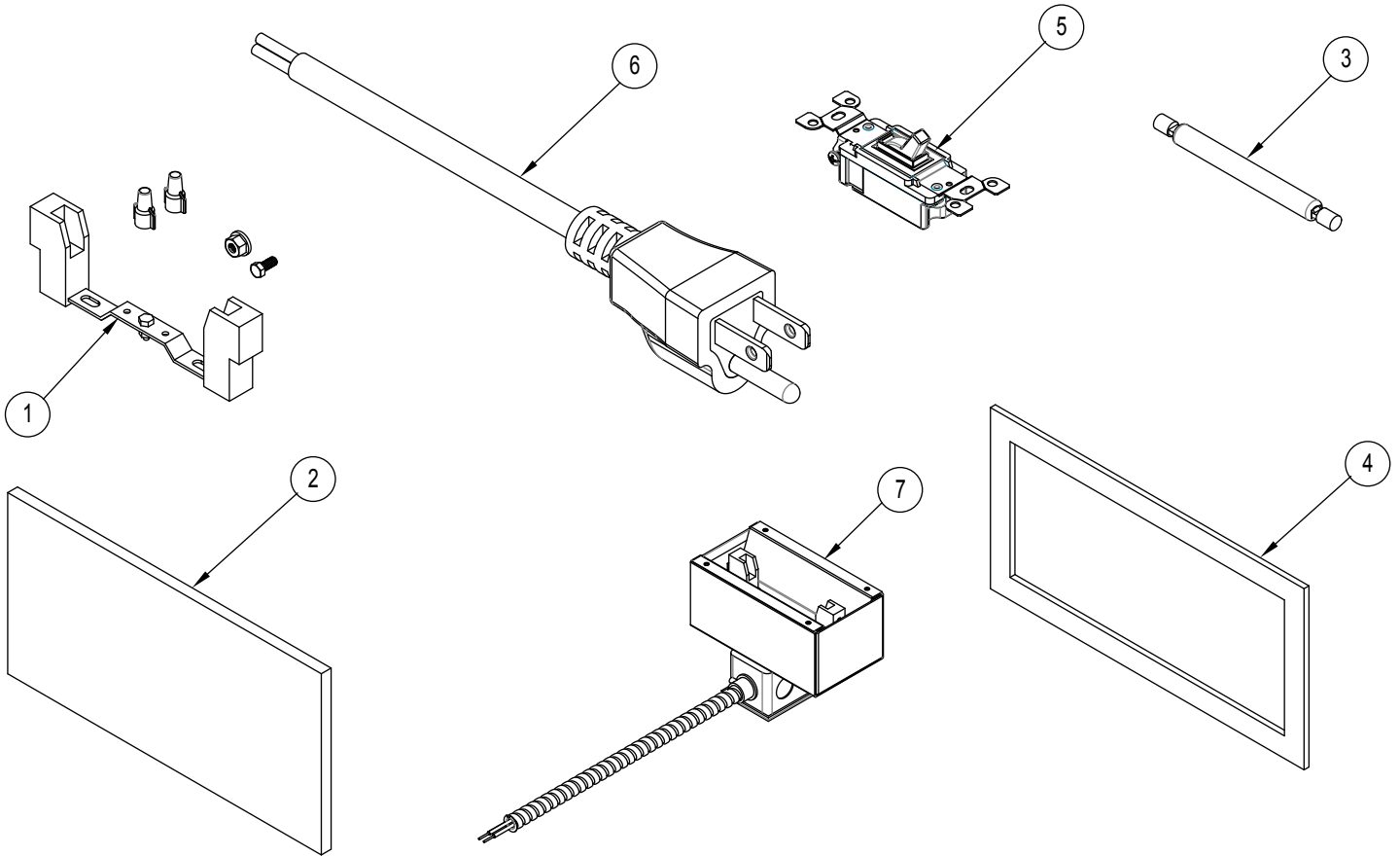


REF. NO.	PART NO.	DESCRIPTION
1	71922	Baking Door, Top Section
2	71926	Baking Door, Bottom Section
3	71978	Burner Door Assy
4	71883	Door Handle Kit, 14-1/2"
5	71884	Door Handle Kit, 8-3/4"
6	71885	Door Hinge Hardware Kit, Baking Door
7	70145	Baking Door Hinge Assy, LH
8	70143	Door Hinge Assy (burner door, LH & RH, baking door RH)

REF. NO.	PART NO.	DESCRIPTION
9	70230	Door Stop, Baking RH
10	70671	Door Stop, Burner RH
11	71911	MB Door Handle Bracket Kit
12	70107	Door Stop, Burner LH
13	71930	Door Hinge Hardware Kit, Burner Door
14	71985	Burner Handle Bracket Kit
15	70154	Bushing, Door Pin
16	70153	Counter Weight Assy, 4-Bar
17	70324	Counter Weight Assy, 3-Bar

# MB LIGHT ASSEMBLY AND ELECTRICAL

## ALL OVENS

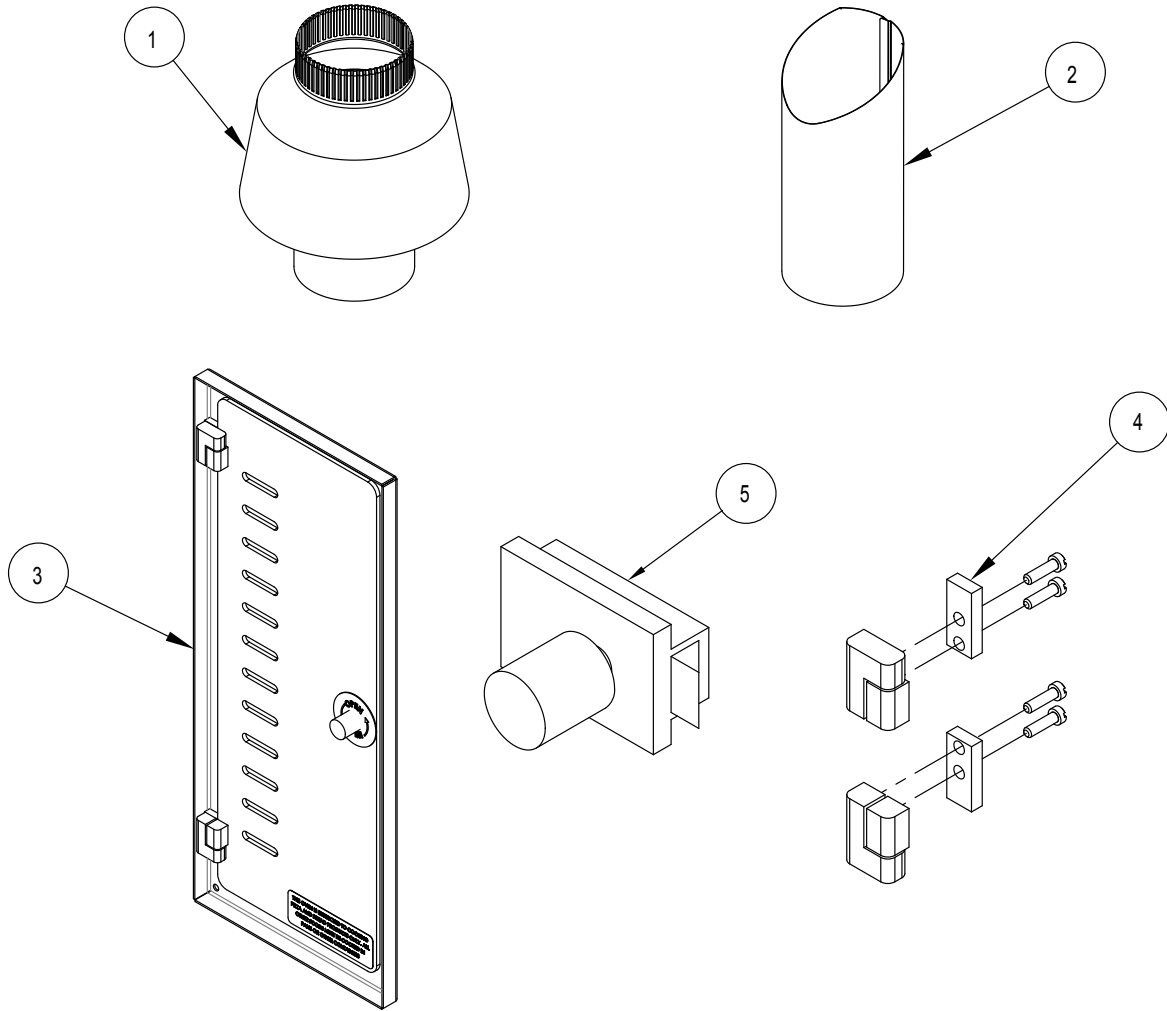


REF. NO.	PART NO.	DESCRIPTION
1	71893	Bulb Holder Kit
2	70019	Glass, 4" x 8" x 1/4"
3	70071	Bulb, 500 watt
4	70937	Gasket, Light Assy

REF. NO.	PART NO.	DESCRIPTION
5	70070	Light Switch
6	70063	Power Cord
7	70061	Light Assy

# MB CONTROL DOOR AND FLUES

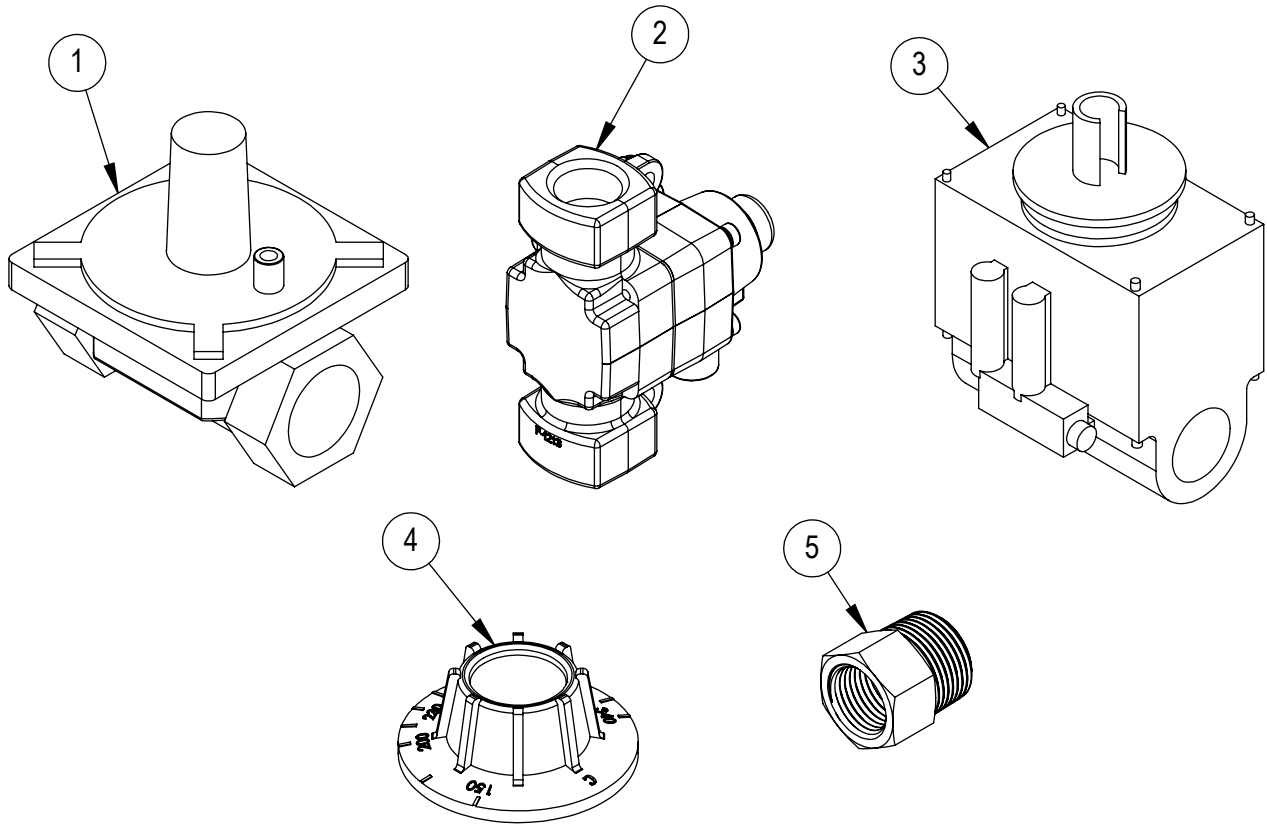
## ALL OVENS



REF. NO.	PART NO.	DESCRIPTION
1	70427	Draft Hood
2	70103	Chimney Top
3	70122	Control Door Assy
4	71905	Control Door Hinge Kit
5	70128	Latch, Control Panel

# CE APPROVED COMPONENTS

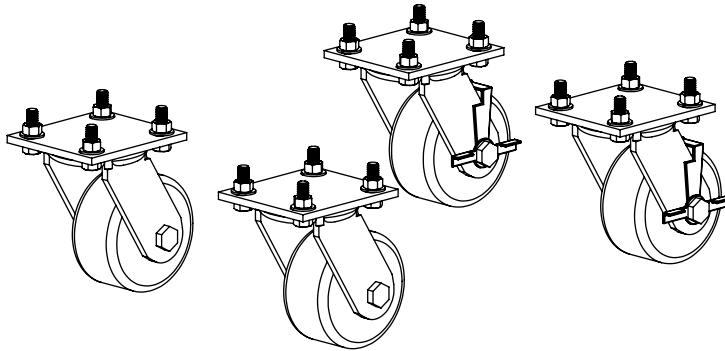
## ALL OVENS



REF. NO.	PART NO.	DESCRIPTION
1	72288	PRESSURE REGULATOR, CE
2	72289	GAS VALVE, CE
3	72443	THERMOSTAT, CE
4	9635	KNOB, THERMOSTAT, CE
5	72276	ADAPTER, 1/2 NPT, FEM X 3/4 BSPT

# ACCESSORIES

## ALL OVENS



REF. NO.	PART NO.	DESCRIPTION
1	72546	CASTERS, SET OF 4