



## **SD SERIES**

**SD 448, SD 1048, SD 660, SD 1060, SD 866 AND SD 10866  
4, 6 AND 8 PIE PIZZA OVENS  
REPLACEMENT PARTS LIST**

**EFFECTIVE JULY 10, 2018**

Superseding All Previous Parts Lists.

The Company reserves the right to make substitution in the event that items specified are not available.

ERRORS: Descriptive and/or typographic errors are subject to correction.

---

### **MARSAL**

42 Allen Martin Drive, Essex Junction, VT 05452 USA Telephone: (802) 658-6600 Fax: (802) 864-0183  
[www.marsalovens.com](http://www.marsalovens.com)

*P/N 72142 Rev H*

# TABLE OF CONTENTS

## **BURNER COMPARTMENT COMPONENTS**

SD 448 OVEN .....	3
SD 1048 OVEN .....	4
SD 660 OVEN .....	5
SD 1060 OVEN .....	6
SD 866 OVEN .....	7
SD 10866 OVEN .....	8

## **BAKING COMPARTMENT COMPONENTS**

SD 448 & SD 1048 OVENS .....	9
SD 660 & SD 1060 OVENS .....	10
SD 866 & SD 10866 OVEN .....	11

## **BURNER AND PIPING PARTS**

SD 448 & SD 1048 OVEN .....	12
SD 660 & SD 1060 OVEN .....	13
SD 866 & SD 10866 OVEN .....	14
PILOT UPGRADE SAFETY VALVE KIT FOR OVENS BUILT BEFORE 10/8/2008 ...	15
GAS CONVERSION KITS .....	15

## **DOOR PARTS**

SD 448 OVEN .....	16
SD 1048 OVEN .....	17
SD 660 OVEN .....	18
SD 1060 OVEN .....	19
SD 866 OVEN .....	20
SD 10866 OVEN .....	21

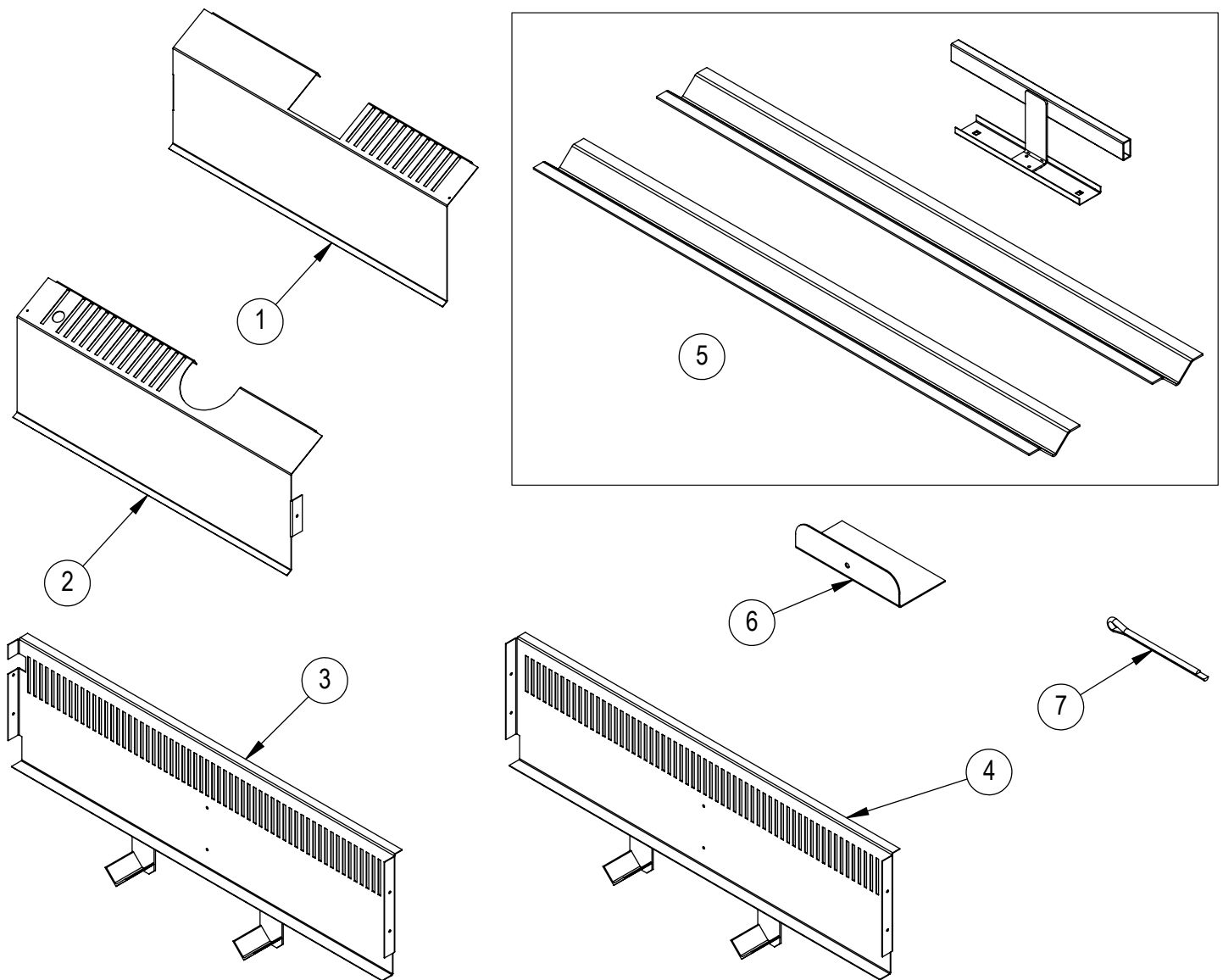
<b>SD CONTROL DOOR AND FLUES</b> .....	22
--	----

<b>CE OVEN COMPONENTS</b> .....	23
---------------------------------	----

<b>ACCESSORIES</b> .....	24
--------------------------	----

# BURNER COMPARTMENT COMPONENTS

## SD 448 OVEN

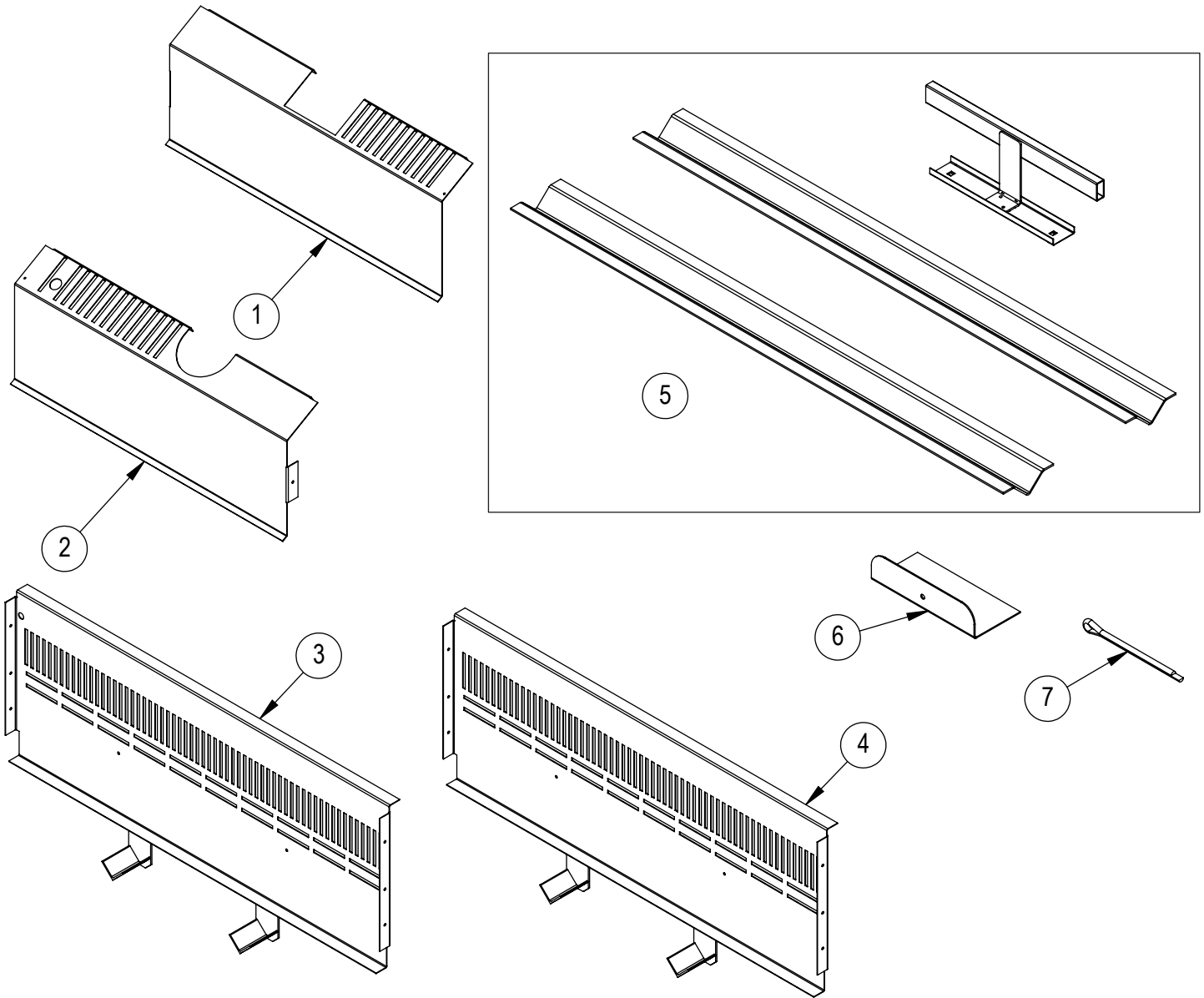


REF. NO.	PART NO.	DESCRIPTION
1	71116	HEAT SHIELD, LH
2	71117	HEAT SHIELD, RH
3	71025	SD BAFFLE ASSY, LH
4	71026	SD BAFFLE ASSY, RH

REF. NO.	PART NO.	DESCRIPTION
5	71899	DEFLECTOR KIT, SD448, SD1048
6	70057	FD HOLD DOWN
7	70084	COTTER PIN, 7/64 X 1.75

# BURNER COMPARTMENT COMPONENTS

## SD 1048 OVEN

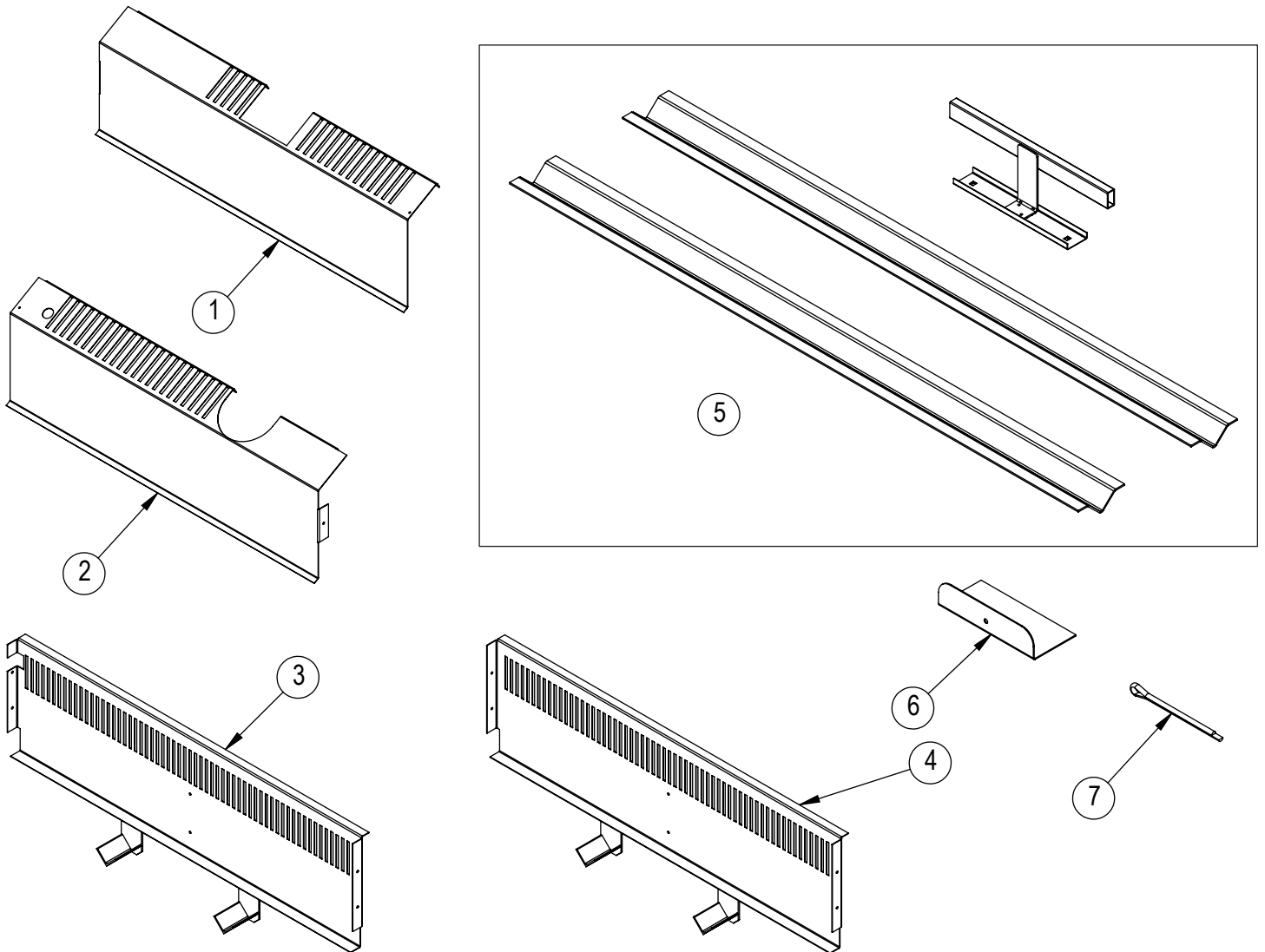


REF. NO.	PART NO.	DESCRIPTION
1	71116	HEAT SHIELD, LH
2	71117	HEAT SHIELD, RH
3	71162	SD BAFFLE ASSY, LH
4	71163	SD BAFFLE ASSY, RH

REF. NO.	PART NO.	DESCRIPTION
5	71899	DEFLECTOR KIT, SD448, SD1048
6	70057	FD HOLD DOWN
7	70084	COTTER PIN, 7/64 X 1.75

# BURNER COMPARTMENT COMPONENTS

## SD 660 OVEN

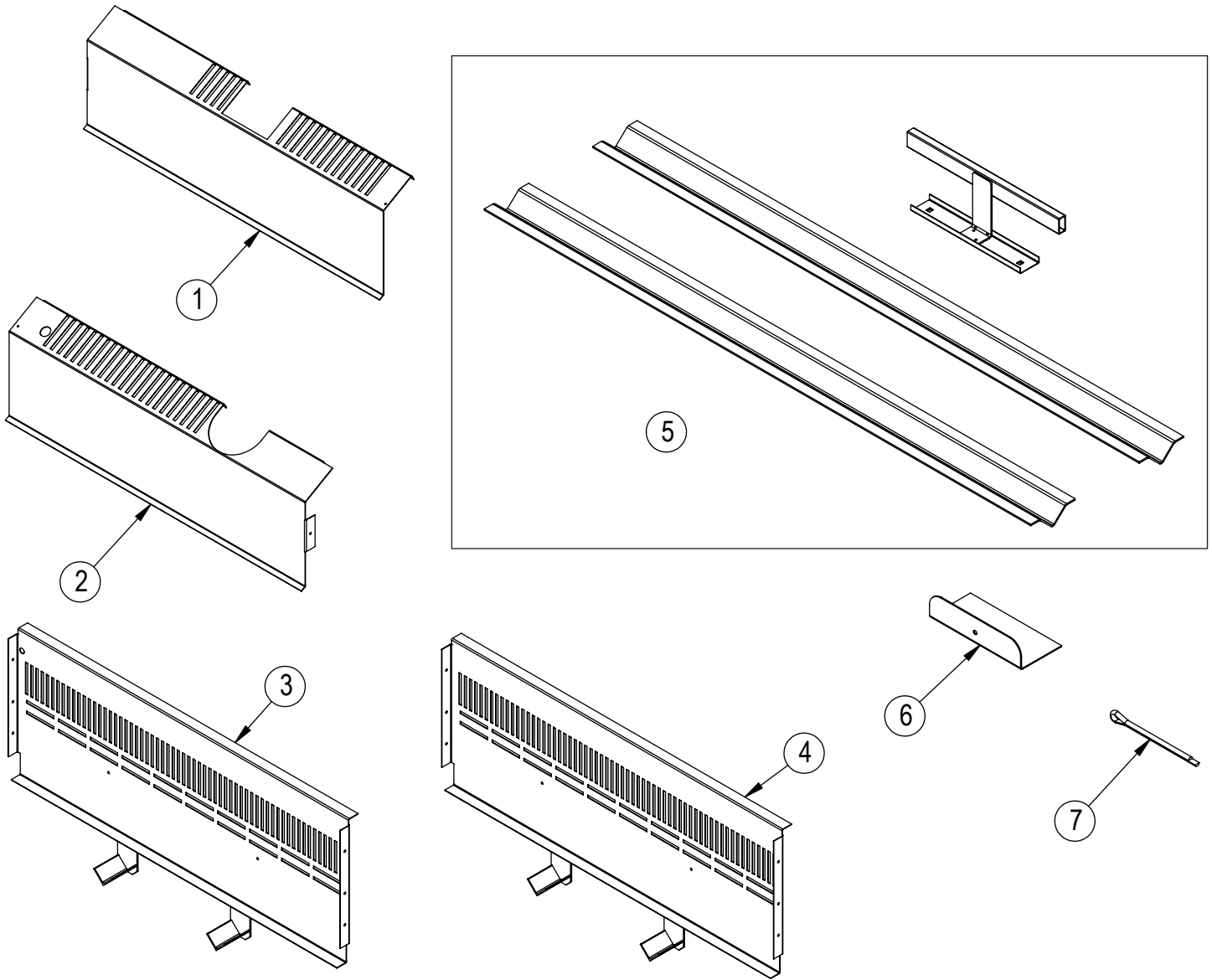


REF. NO.	PART NO.	DESCRIPTION
1	71023	HEAT SHIELD, LH
2	71024	HEAT SHIELD, RH
3	71025	SD BAFFLE ASSY, LH
4	71026	SD BAFFLE ASSY, RH

REF. NO.	PART NO.	DESCRIPTION
5	71896	DEFLECTOR KIT, MB60, SD660, SD1060
6	70057	FD HOLD DOWN
7	70084	COTTER PIN, 7/64 X 1.75

# BURNER COMPARTMENT COMPONENTS

## SD 1060 OVEN

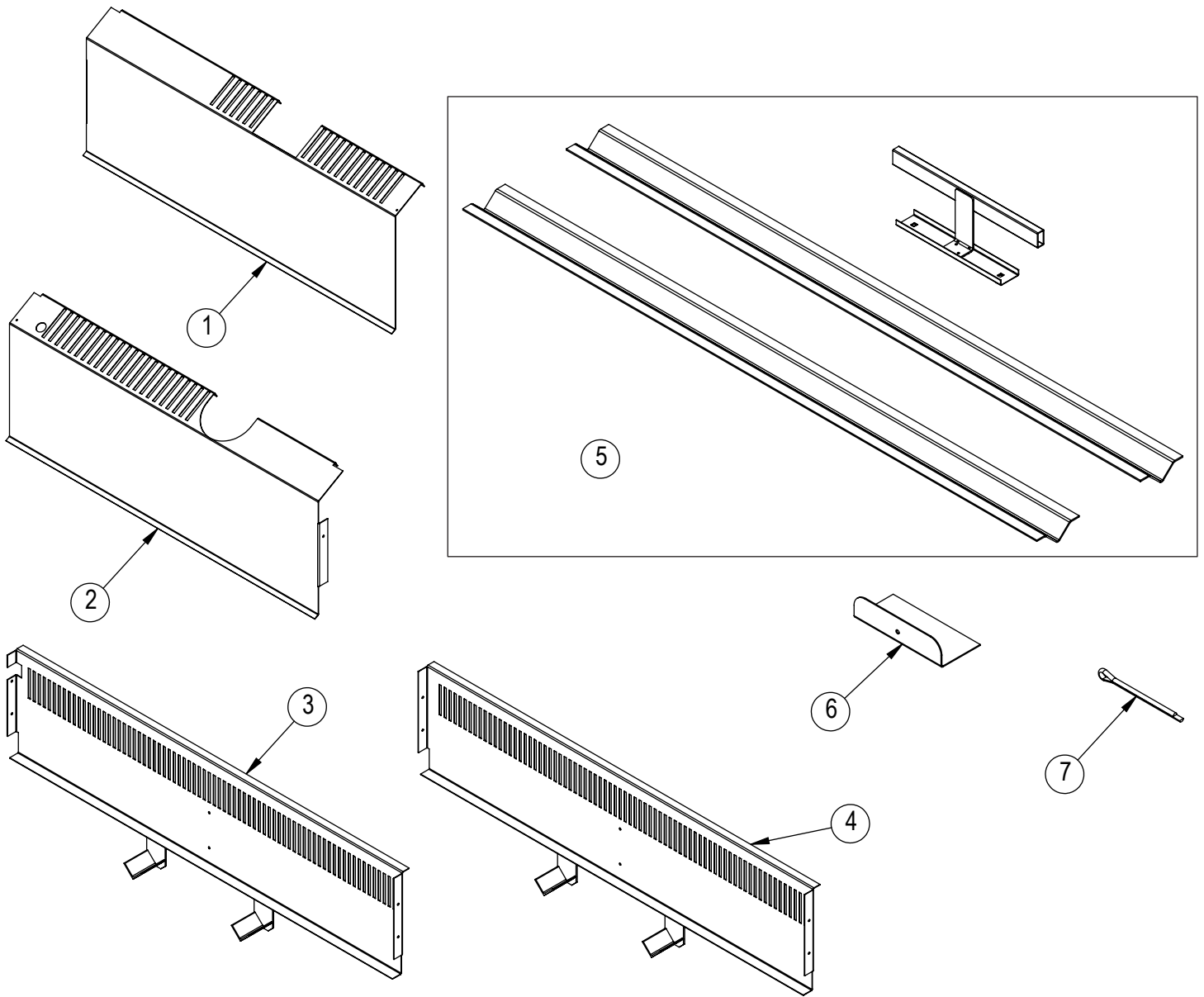


REF. NO.	PART NO.	DESCRIPTION
1	71023	HEAT SHIELD, LH
2	71024	HEAT SHIELD, RH
3	71162	SD BAFFLE ASSY, LH
4	71163	SD BAFFLE ASSY, RH

REF. NO.	PART NO.	DESCRIPTION
5	71896	DEFLECTOR KIT, MB60, SD660, SD1060
6	70057	FD HOLD DOWN
7	70084	COTTER PIN, 7/64 X 1.75

# BURNER COMPARTMENT COMPONENTS

## SD 866 OVEN

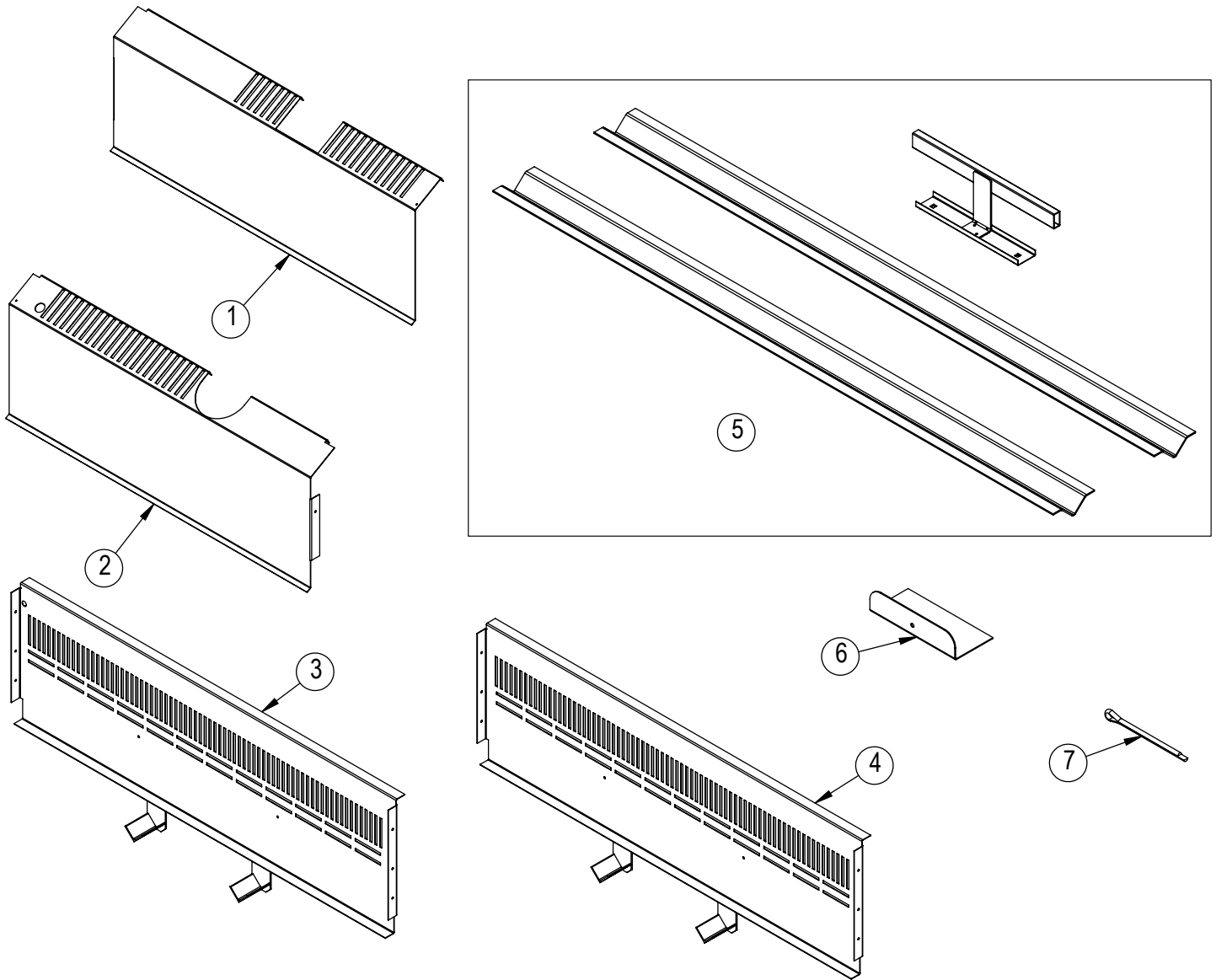


REF. NO.	PART NO.	DESCRIPTION
1	71232	HEAT SHIELD, LH
2	71233	HEAT SHIELD, RH
3	71234	BAFFLE ASSY, LH
4	71235	BAFFLE ASSY, RH

REF. NO.	PART NO.	DESCRIPTION
5	71900	DEFLECTOR KIT, MB866, SD866, SD10866
6	70057	FD HOLD DOWN
7	70084	COTTER PIN, 7/64 X 1.75

# BURNER COMPARTMENT COMPONENTS

## SD 10866 OVEN

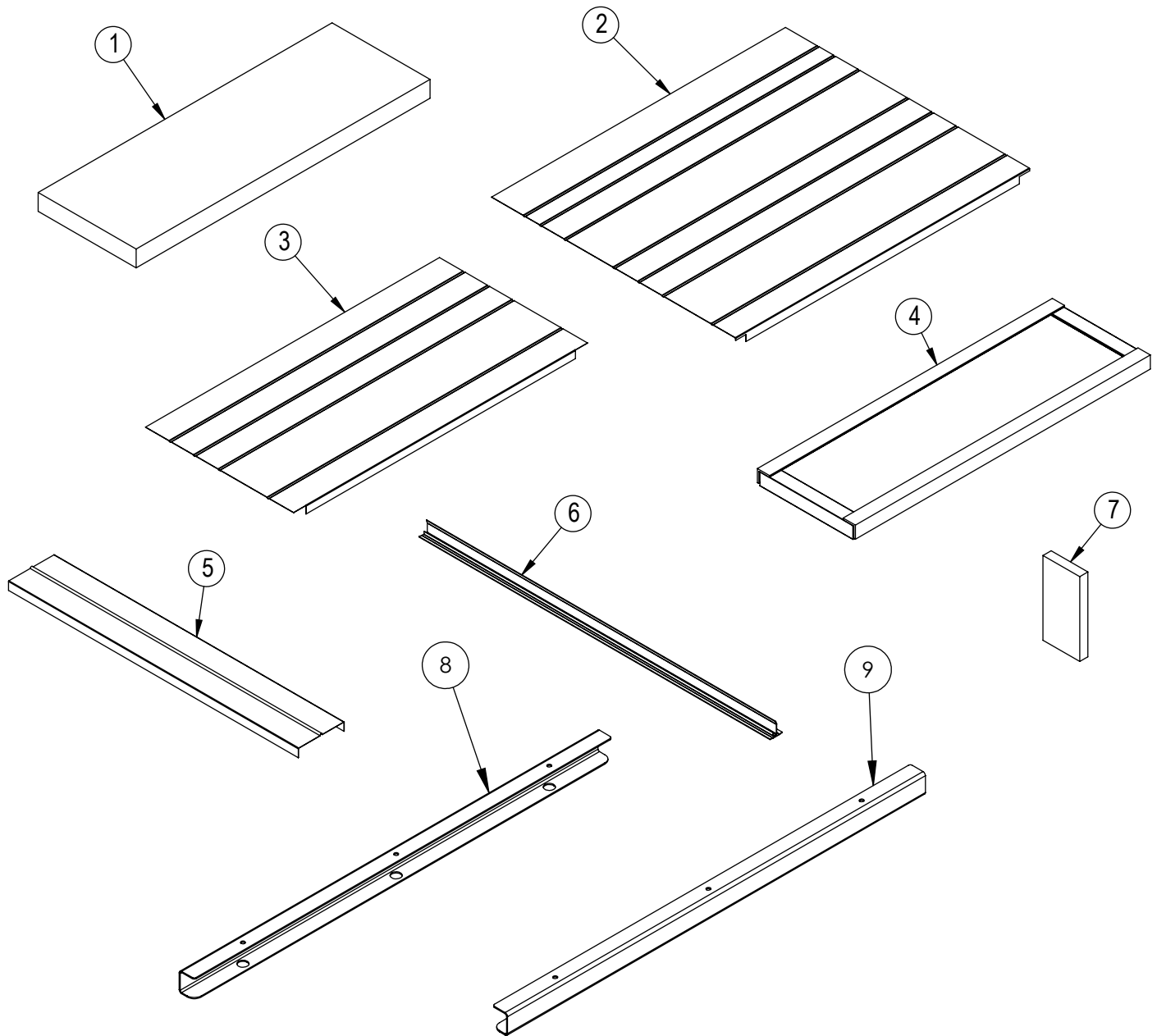


REF. NO.	PART NO.	DESCRIPTION
1	71232	HEAT SHIELD, LH
2	71233	HEAT SHIELD, RH
3	71286	BAFFLE ASSY, LH
4	71287	BAFFLE ASSY, RH

REF. NO.	PART NO.	DESCRIPTION
5	71900	DEFLECTOR KIT, MB866, SD866, SD10866
6	70057	FD HOLD DOWN
7	70084	COTTER PIN, 7/64 X 1.75

# BAKING COMPARTMENT COMPONENTS

SD 448 & SD 1048 OVENS

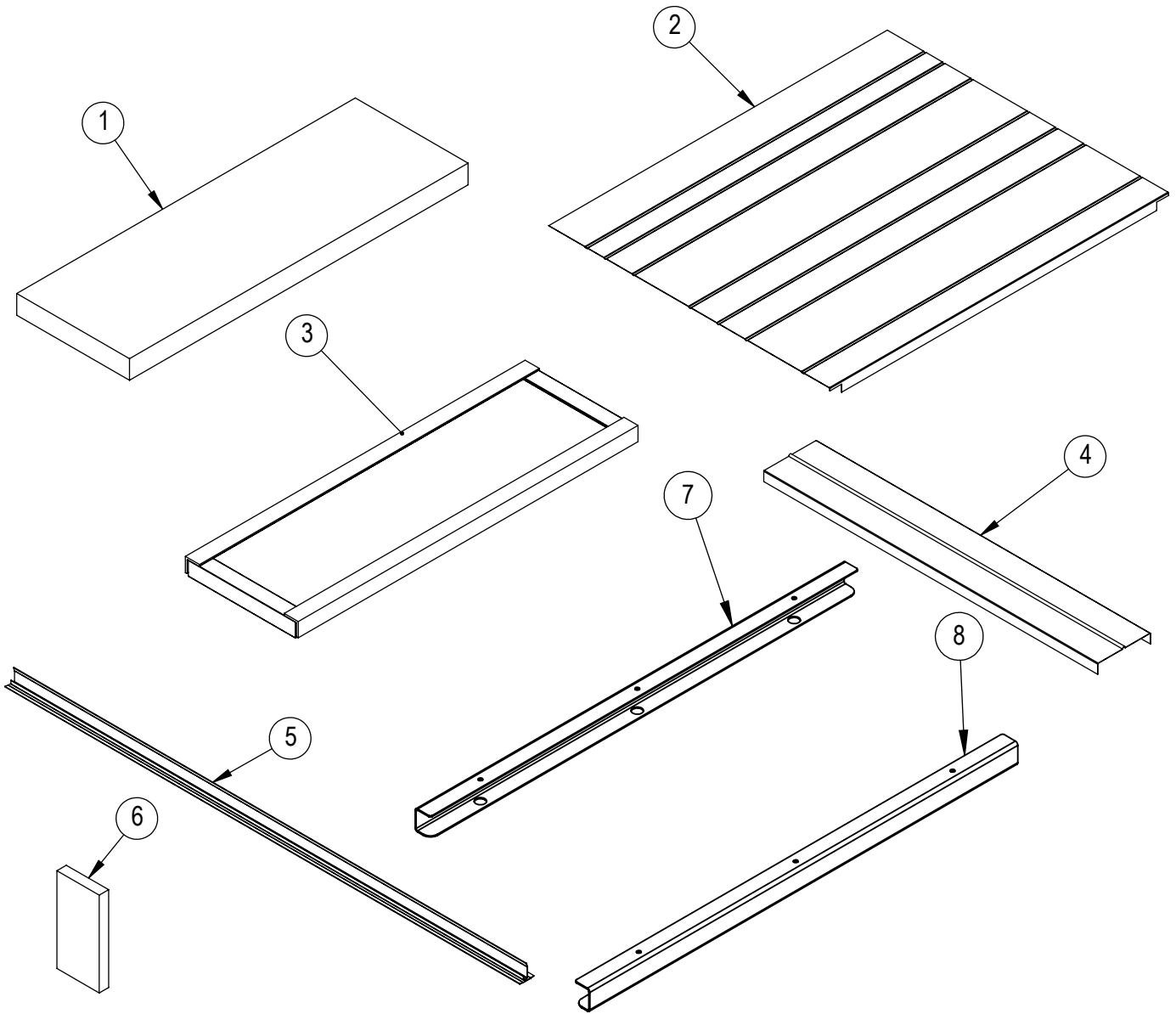


REF. NO.	PART NO.	DESCRIPTION
1	70248	DECK STONE, 12 X 36 X 2
2	70456	BRICK PLATE, LH
3	70457	BRICK PLATE, RH
4	70454	BRICK BASE, 36-1/8 X 12
5	70455	BRICK BAFFLE

REF. NO.	PART NO.	DESCRIPTION
6	70475	CRUMB CATCHER, 43" LG
7	70391	CEILING BRICK, 1 X 4-1/2 X 9
8	71029	BRICK BRACKET, TOP LEFT
9	71030	BRICK BRACKET, TOP RIGHT

# BAKING COMPARTMENT COMPONENTS

SD 660 & SD 1060 OVENS

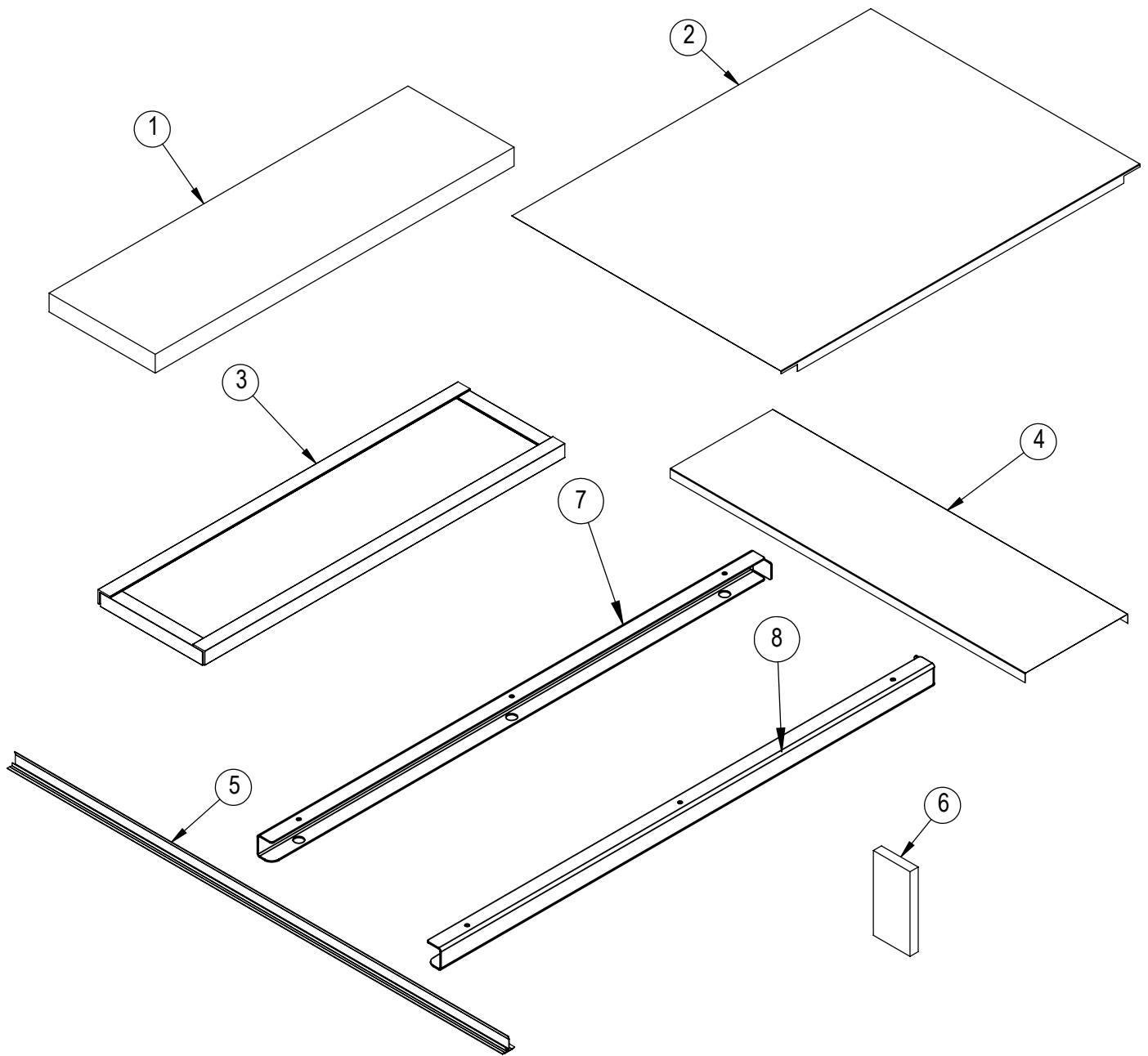


REF. NO.	PART NO.	DESCRIPTION
1	70248	DECK STONE, 12 X 36 X 2
2	70456	BRICK PLATE
3	70454	BRICK BASE, 36-1/8 X 12
4	70455	BRICK BAFFLE

REF. NO.	PART NO.	DESCRIPTION
5	70478	CRUMB CATCHER, 54.75" LG
6	70391	CEILING BRICK, 1 X 4-1/2 X 9
7	71029	BRICK BRACKET, TOP LEFT
8	71030	BRICK BRACKET, TOP RIGHT

# BAKING COMPARTMENT COMPONENTS

SD 866 & SD 10866 OVEN

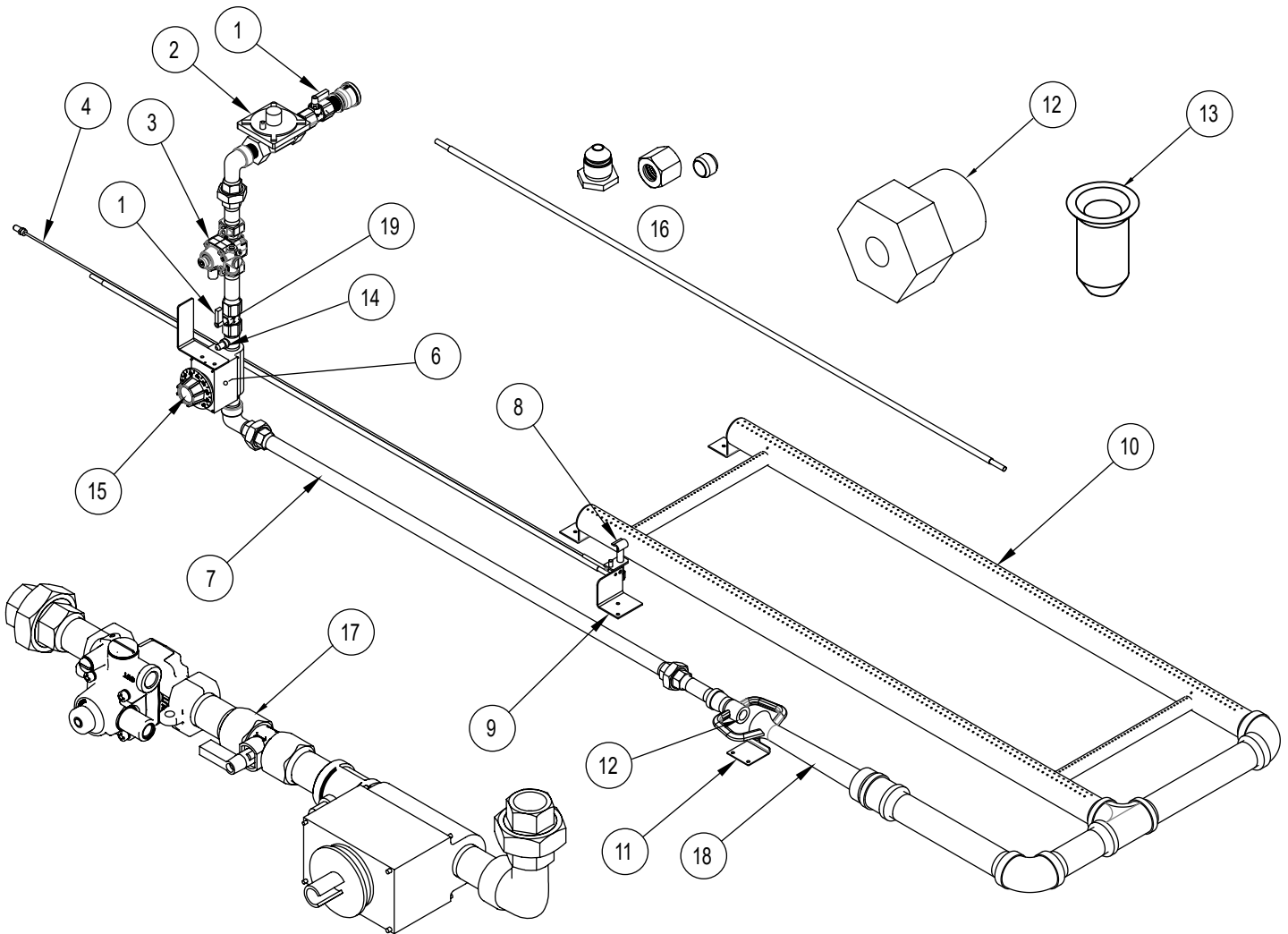


REF. NO.	PART NO.	DESCRIPTION
1	70389	DECK STONE 13 X 44 X 2
2	70460	BRICK PLATE
3	70461	BRICK BASE, 44-1/8 X 13-1/8
4	70459	BRICK BAFFLE

REF. NO.	PART NO.	DESCRIPTION
5	70479	CRUMB CATCHER, 60.75" LG
6	70391	CEILING BRICK, 1 X 4-1/2 X 9
7	71238	BRICK BRACKET, TOP LEFT
8	71239	BRICK BRACKET, TOP RIGHT

# BURNER AND PIPING PARTS

## SD 448 & SD 1048 OVEN



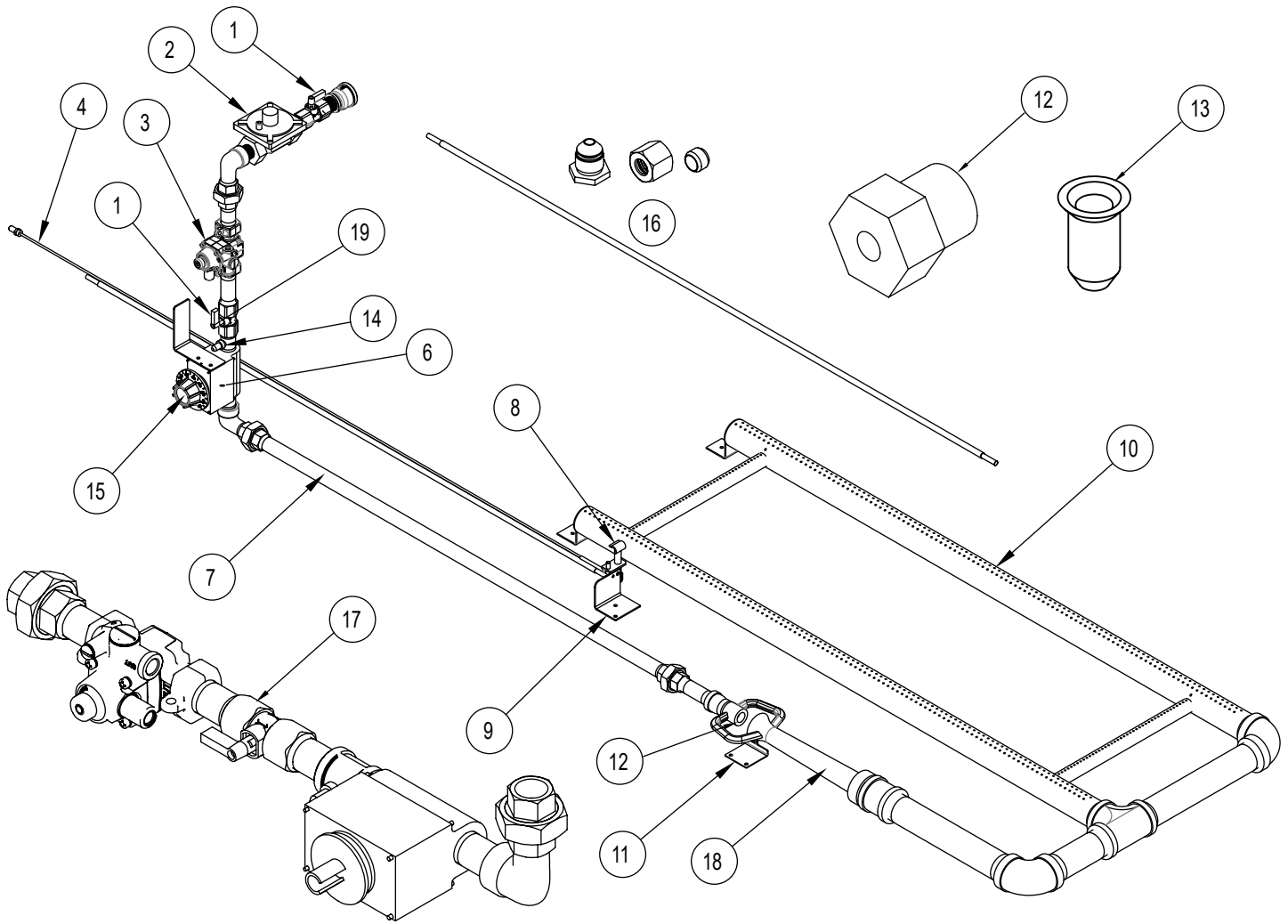
REF. NO.	PART NO.	DESCRIPTION
1	70380	Ball Valve, 1/2" NPT
2*	71881	Gas Regulator Kit, NAT
2*	71882	Gas Regulator Kit, LP
3*	55127	TS11 Safety Valve, 1/4" Tube Fit
4	52091	Thermocouple, 48" Lead
6*	71880	Thermostat, 300-650°F w/knob
7	70299	1/2 NPT x 24" Pipe
8	55132	Pilot Assy, NAT (order with 70482 LP Pilot orifice for LP Ovens)
9	70100	Pilot Bracket
10	70286	Burner Assy
11	70049	Venturi Stopper
12	70381	Orifice, #22 (NAT)

REF. NO.	PART NO.	DESCRIPTION
12	70492	Orifice, #37 (LP)
13	70481	Pilot Orifice, NAT
13	70482	Pilot Orifice, LP
14	70434	Pressure Tap, 1/8
15*	70044	Knob, Thermostat
16	72290	Pilot Tube Kit, 42"
17	70040	Stack Assembly
18	70094	Venturi
19	70233	Nipple, 1/2 x 2

\* SEE "CE APPROVED COMPONENTS" AT THE END OF THIS DOCUMENT

# BURNER AND PIPING PARTS

## SD 660 & SD 1060 OVEN



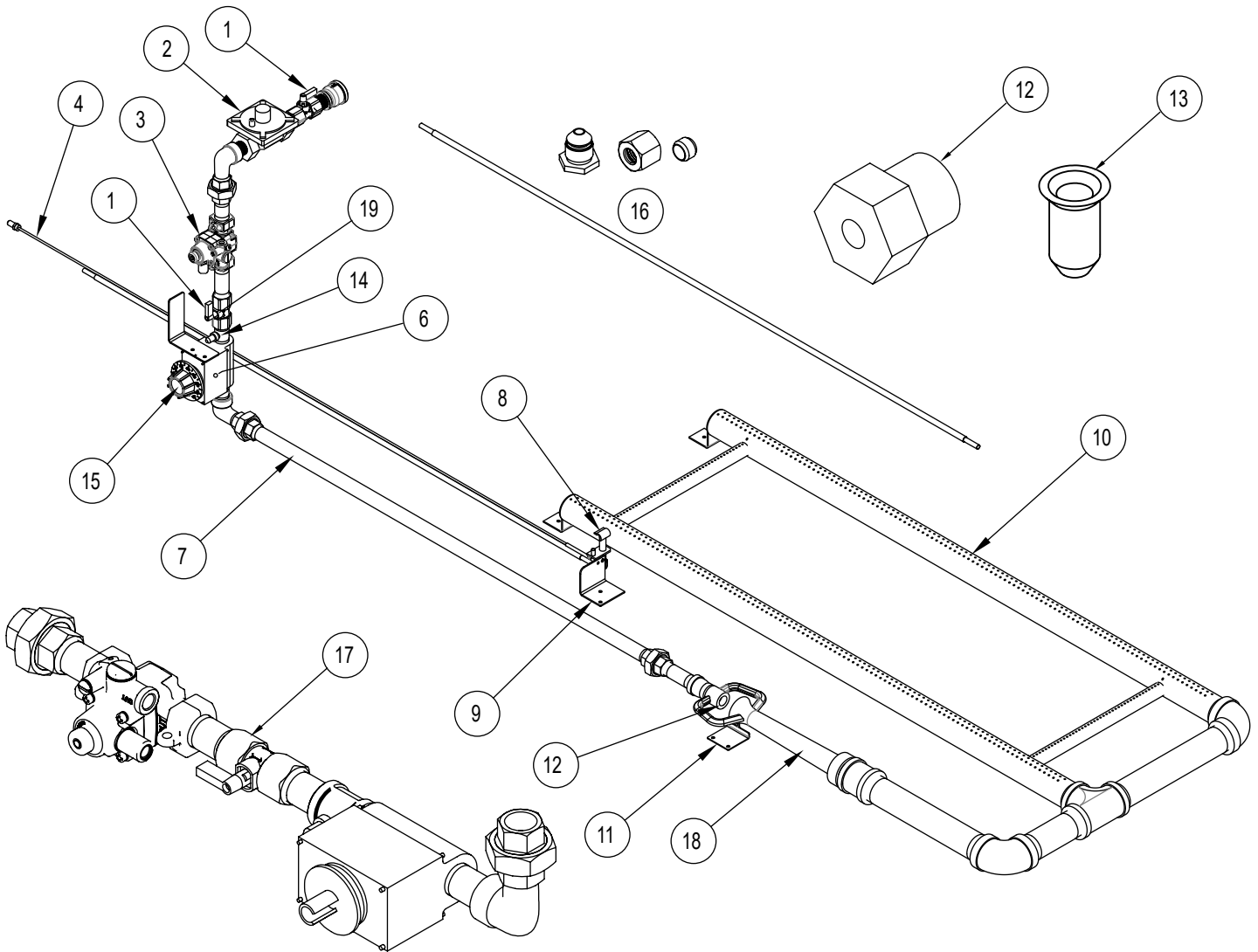
REF. NO.	PART NO.	DESCRIPTION
1	70380	Ball Valve, 1/2" NPT
2*	71881	Gas Regulator Kit, NAT
	71882	Gas Regulator Kit, LP
3*	55127	TS11 Safety Valve, 1/4" Tube Fit
4	52091	Thermocouple, 48" Lead
6*	71880	Thermostat, 300-650°F w/knob
7	70042	1/2 NPT x 33-1/4" Pipe
8	55132	Pilot Assy, NAT (order with 70482 LP Pilot cup for LP Ovens)
9	70100	Pilot Bracket
10	70099	Burner Assy
11	70049	Venturi Stopper
12	70383	Orifice, 3/16" (NAT)

REF. NO.	PART NO.	DESCRIPTION
12	70491	Orifice, (LP)
13	70481	Pilot Orifice, NAT
13	70482	Pilot Orifice, LP
14	70434	Pressure Tap, 1/8
15*	70044	Knob, Thermostat
16	72290	Pilot Tube Kit, 42"
17	70040	Stack Assembly
18	70094	Venturi
19	70233	Nipple, 1/2 x 2

\* SEE "CE APPROVED COMPONENTS" AT THE END OF THIS DOCUMENT

# BURNER AND PIPING PARTS

## SD 866 & SD 10866 OVEN



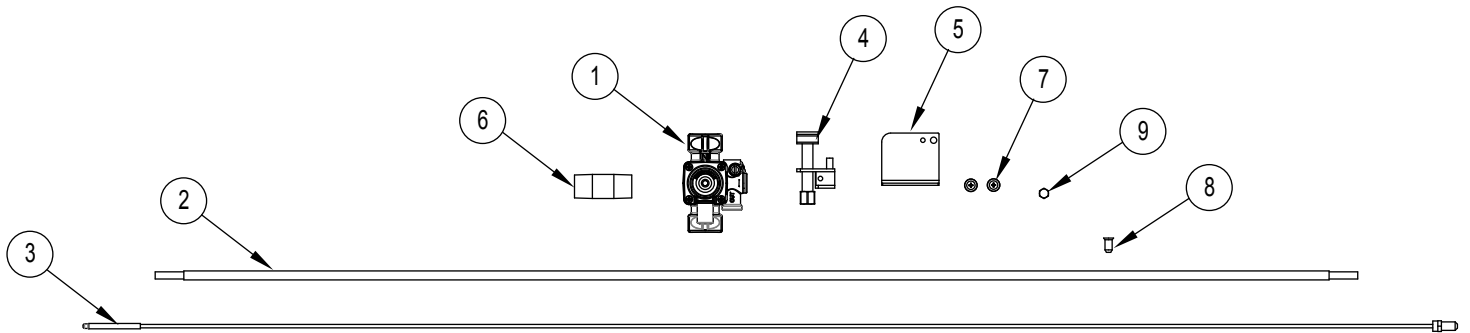
REF. NO.	PART NO.	DESCRIPTION
1	70380	BALL VALVE, 1/2" NPT
2*	71881	GAS REGULATOR KIT, NAT
2*	71882	GAS REGULATOR KIT, LP
3*	55127	TS11 SAFETY VALVE, 1/4" TUBE FIT
4	52091	THERMOCOUPLE, 48" LEAD
6*	71880	THERMOSTAT, 300-650 W/KNOB
7	70042	1/2" NPT X 33-1/4" PIPE
8	55132	PILOT ASSY, NAT (ORDER WITH 70482 "LP PILOT CUP" FOR LP OVENS)
9	70100	PILOT BRACKET
10	70537	BURNER ASSY
11	70049	VENTURI STOPPER

REF. NO.	PART NO.	DESCRIPTION
12	70383	ORIFICE, 3/16" (NAT)
12	70491	ORIFICE, #35 (LP)
13	70481	Pilot Orifice, NAT
13	70482	Pilot Orifice, LP
14	70434	Pressure Tap, 1/8
15*	70044	Knob, Thermostat
16	72291	Pilot Tube Kit, 48"
17	70040	Stack Assembly
18	70094	Venturi
19	70233	Nipple, 1/2 x 2

\* SEE "CE APPROVED COMPONENTS" AT THE END OF THIS DOCUMENT

# BURNER AND PIPING PARTS

## PILOT UPGRADE SAFETY VALVE KIT FOR OVENS BUILT BEFORE 10/8/2008

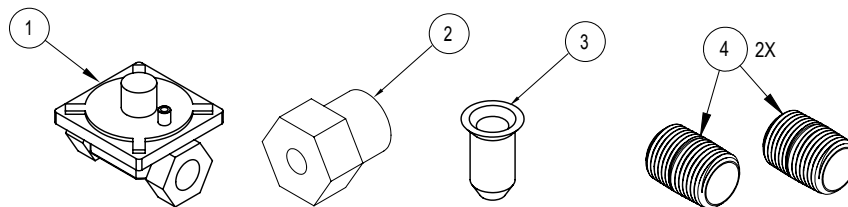


REF. NO.	PART NO.	DESCRIPTION
	<b>70376</b>	<b>Pilot Upgrade Safety Valve Kit Includes the following Parts</b>
1	55127	TS11 Safety Valve
2	70046	Pilot Tubing, 42"
3	52091	Thermocouple, 48" Lead
4	55132	Pilot Assy, NAT*
5	70100	Pilot Bracket

REF. NO.	PART NO.	DESCRIPTION
6	70233	Nipple, 1/2" x 2" black
7	70272	Screw, 8-18 x 1/2 Drill Point (qty. 2)
8	70482	.010 Pilot Orifice Cup, LP
9	71852	Screw, 10-32 x 1/4 Hex Head

\*REPLACE INCLUDED ORIFICE WITH 70482 FOR LP OVENS.

## GAS CONVERSION KITS



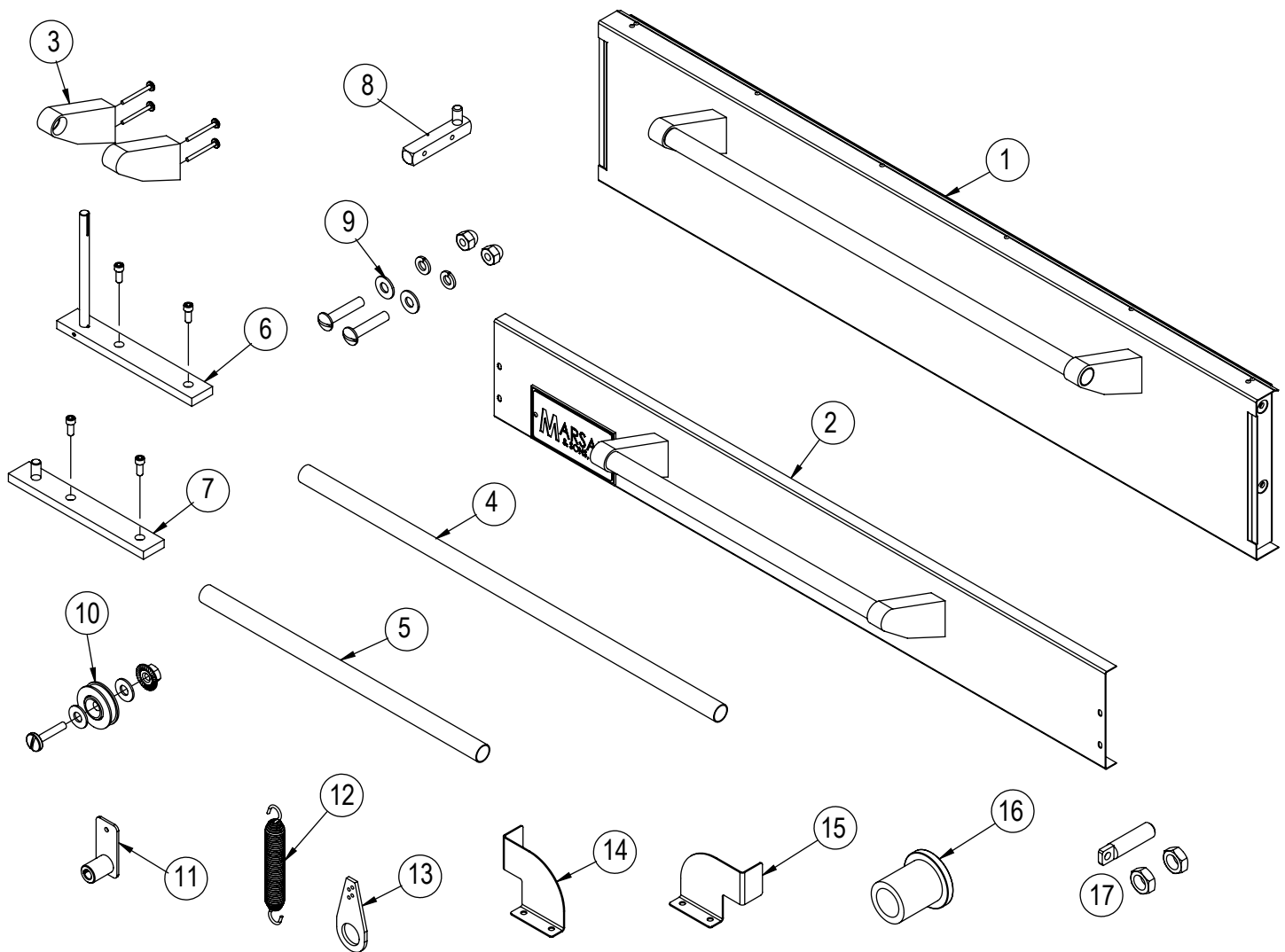
REF. NO.	PART NO.	DESCRIPTION
	71987	Natural to LP Gas Conversion Kit
1	70386	Gas Regulator, LP
2	See Chart	Burner Orifice, LP
3	70482	Pilot Orifice, LP
4	70255	Close Nipple, 1/2 NPT (Qty 2)

REF. NO.	PART NO.	DESCRIPTION
	71988	LP to Natural Gas Conversion Kit
1	70385	Gas Regulator, NAT
2	See Chart	Burner Orifice, NAT
3	70481	Pilot Orifice, NAT
4	70255	Close Nipple, 1/2 NPT (Qty 2)

SD BURNER ORIFICES		
MODEL	NATURAL	PROPANE
SD236	70382	70471
SD248	70384	70468
SD260	70469	70470
SD448/SD1048	70381	70492
SD660/SD1060	70383	70491
SD866/SD10866	70383	70491

# DOOR PARTS

## SD 448 OVEN

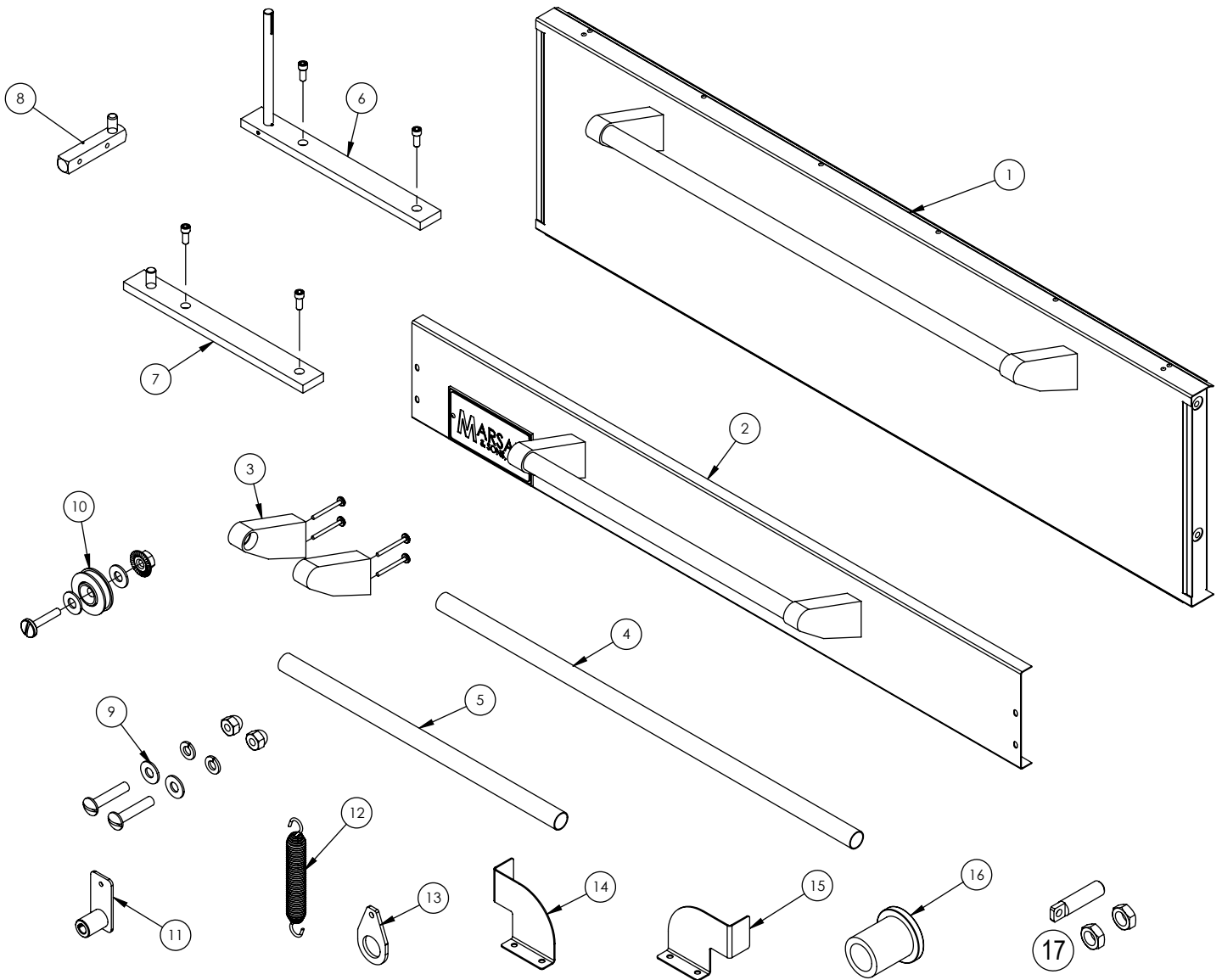


REF. NO.	PART NO.	DESCRIPTION
1	71913	BAKING DOOR SVC KIT, SD448
2	71982	BURNER DOOR SVC KIT, SD448
3	71892	SD DOOR HANDLE BRACKET KIT
4	70429	30" DOOR HANDLE, S/S
5	71138	20" DOOR HANDLE, S/S
6	71886	SD OVEN DOOR HINGE KIT, LH
7	71890	SD 10" OVEN DOOR HINGE KIT, RH
8	70143	BURNER DOOR HINGE ASSY
9	71930	BURNER DOOR HINGE HARDWARE KIT

REF. NO.	PART NO.	DESCRIPTION
10	71910	SPRING WHEEL KIT
11	71126	COUPLING ASSY
12	70416	SPRING
13	70432	TEAR DROP, 4-3/8"
14	70671	BURNER DOOR STOP, RH
15	70107	BURNER DOOR STOP, LH
16	70154	BUSHING, DOOR PIN
17	72286	SPRING ANCHOR KIT

# DOOR PARTS

## SD 1048 OVEN

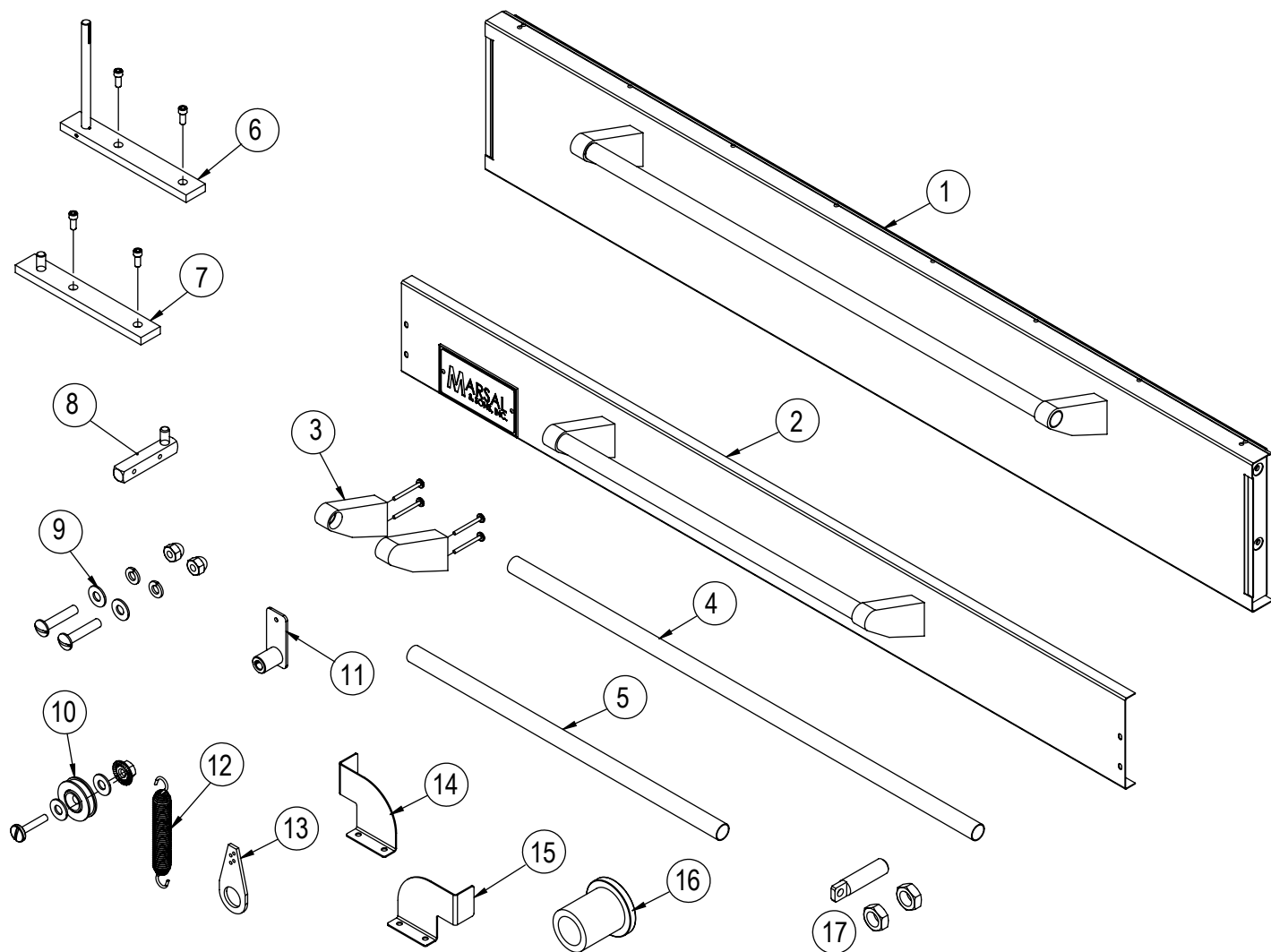


REF. NO.	PART NO.	DESCRIPTION
1	71915	BAKING DOOR SVC KIT, SD1048
2	71982	BURNER DOOR SVC KIT, SD448
3	71892	SD DOOR HANDLE BRACKET KIT
4	70429	30" DOOR HANDLE, S/S
5	71138	20" DOOR HANDLE, S/S
6	71888	SD OVEN DOOR HINGE KIT, LH
7	71891	SD 13-1/4" OVEN DOOR HINGE KIT, RH
8	70143	BURNER DOOR HINGE ASSY
9	71930	BURNER DOOR HINGE HARDWARE KIT

REF. NO.	PART NO.	DESCRIPTION
10	71910	SPRING WHEEL KIT
11	71126	COUPLING ASSY
12	70416	SPRING
13	70480	TEAR DROP, 3-3/8"
14	70671	BURNER DOOR STOP, RH
15	70107	BURNER DOOR STOP, LH
16	70154	BUSHING, DOOR PIN
17	72286	SPRING ANCHOR KIT

# DOOR PARTS

## SD 660 OVEN

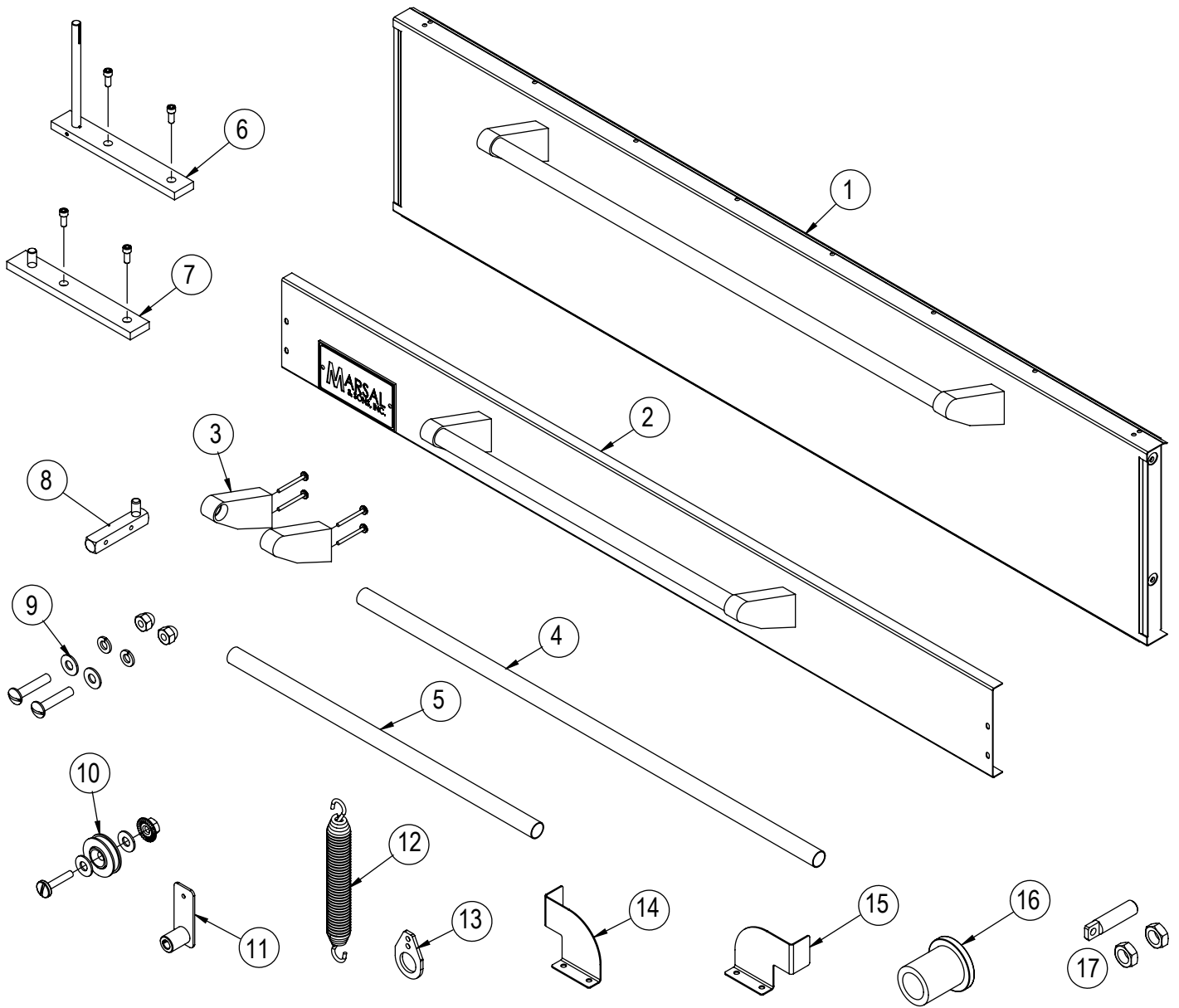


REF. NO.	PART NO.	DESCRIPTION
1	71912	BAKING DOOR SVC KIT, SD660
2	71981	BURNER DOOR SVC KIT, SD660
3	71892	SD DOOR HANDLE BRACKET KIT
4	70430	36" DOOR HANDLE, S/S
5	70431	24" DOOR HANDLE, S/S
6	71886	SD OVEN DOOR HINGE KIT, LH
7	71890	SD 10" OVEN DOOR HINGE KIT, RH
8	70143	BURNER DOOR HINGE ASSY
9	71930	BURNER DOOR HINGE HARDWARE KIT

REF. NO.	PART NO.	DESCRIPTION
10	71910	SPRING WHEEL KIT
11	71043	COUPLING ASSY
12	70416	SPRING
13	70432	TEAR DROP, 4-3/8"
14	70671	BURNER DOOR STOP, RH
15	70107	BURNER DOOR STOP, LH
16	70154	BUSHING, DOOR PIN
17	72286	SPRING ANCHOR KIT

# DOOR PARTS

## SD 1060 OVEN

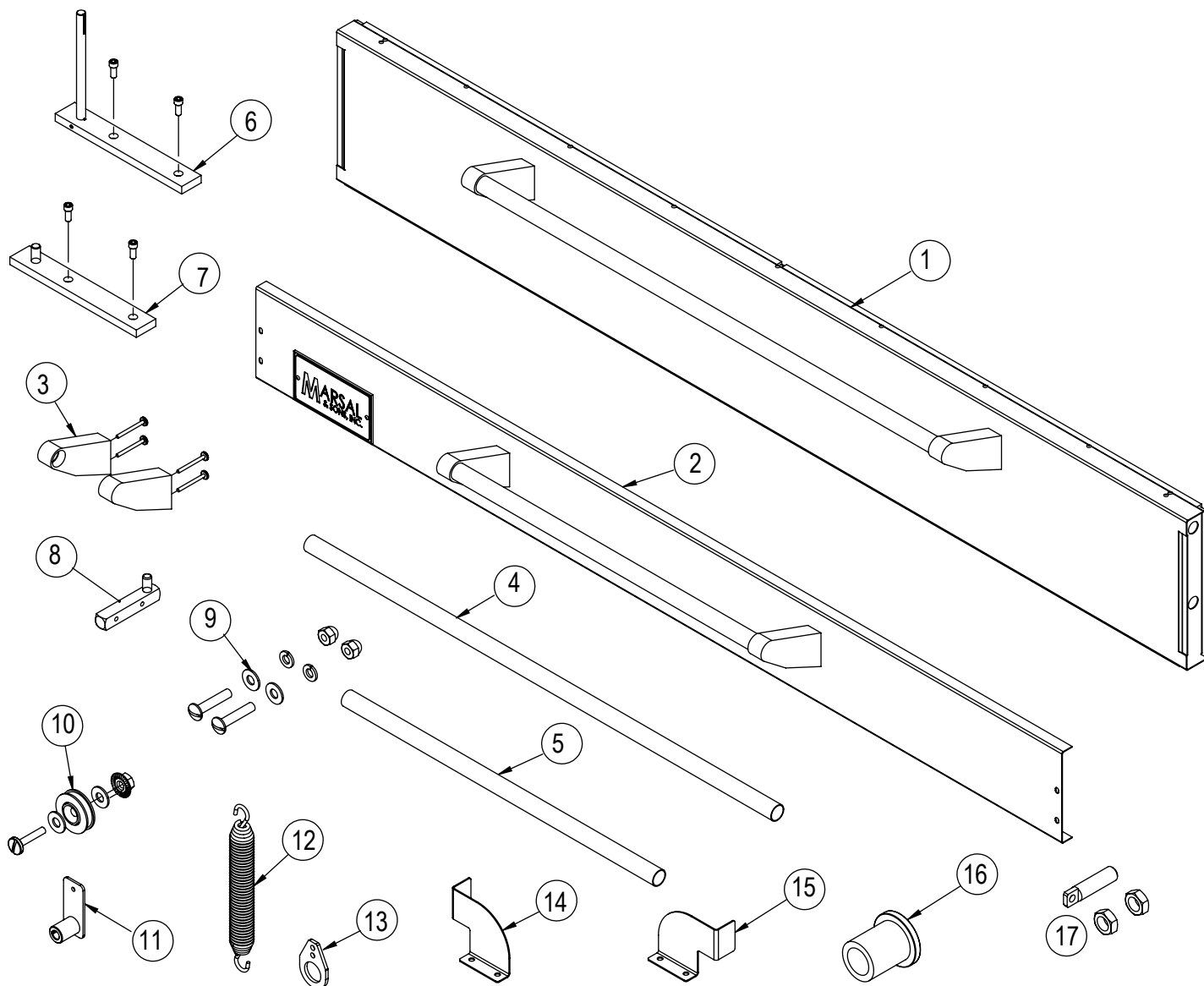


REF. NO.	PART NO.	DESCRIPTION
1	71916	BAKING DOOR SVC KIT, SD1060
2	71981	BURNER DOOR SVC KIT, SD660
3	71892	SD DOOR HANDLE BRACKET KIT
4	70430	36" DOOR HANDLE, S/S
5	70431	24" DOOR HANDLE, S/S
6	71888	SD OVEN DOOR HINGE KIT, LH
7	71891	SD 13-1/4" OVEN DOOR HINGE KIT, RH
8	70143	BURNER DOOR HINGE ASSY
9	71930	BURNER DOOR HINGE HARDWARE KIT

REF. NO.	PART NO.	DESCRIPTION
10	71910	SPRING WHEEL KIT
11	71149	COUPLING ASSY
12	70417	SPRING
13	71182	TEAR DROP, 3"
14	70671	BURNER DOOR STOP, RH
15	70107	BURNER DOOR STOP, LH
16	70154	BUSHING, DOOR PIN
17	72286	SPRING ANCHOR KIT

# DOOR PARTS

## SD 866 OVEN

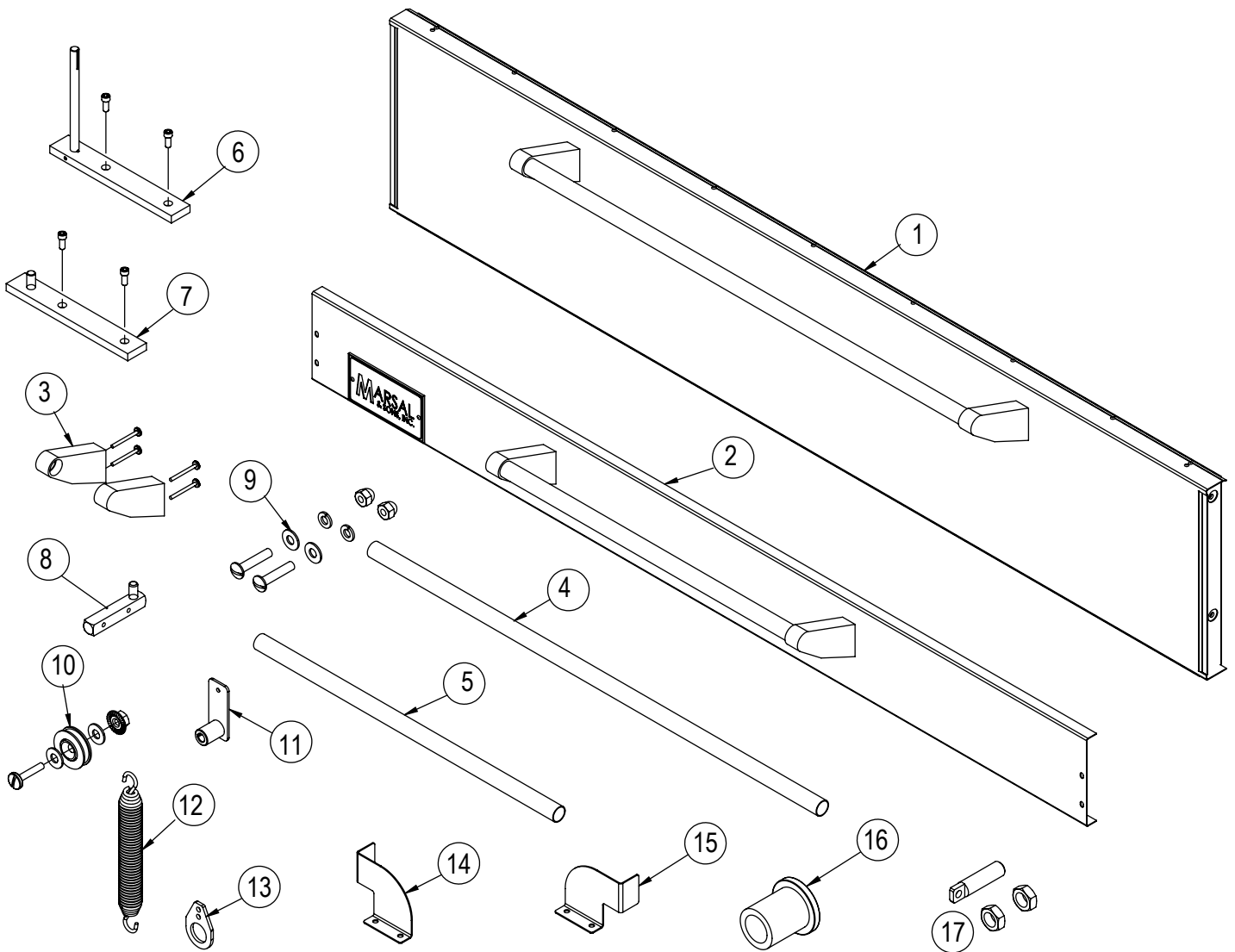


REF. NO.	PART NO.	DESCRIPTION
1	71914	BAKING DOOR SVC KIT, SD866
2	71983	BURNER DOOR SVC KIT, SD866
3	71892	SD DOOR HANDLE BRACKET KIT
4	70430	36" DOOR HANDLE, S/S
5	70431	24" DOOR HANDLE, S/S
6	71886	SD OVEN DOOR HINGE KIT, LH
7	71890	SD 10" OVEN DOOR HINGE KIT, RH
8	70143	BURNER DOOR HINGE ASSY
9	71930	BURNER DOOR HINGE HARDWARE KIT

REF. NO.	PART NO.	DESCRIPTION
10	71910	SPRING WHEEL KIT
11	71043	COUPLING ASSY
12	70417	SPRING
13	71182	TEAR DROP, 3"
14	70671	BURNER DOOR STOP, RH
15	70107	BURNER DOOR STOP, LH
16	70154	BUSHING, DOOR PIN
17	72286	SPRING ANCHOR KIT

# DOOR PARTS

## SD 10866 OVEN

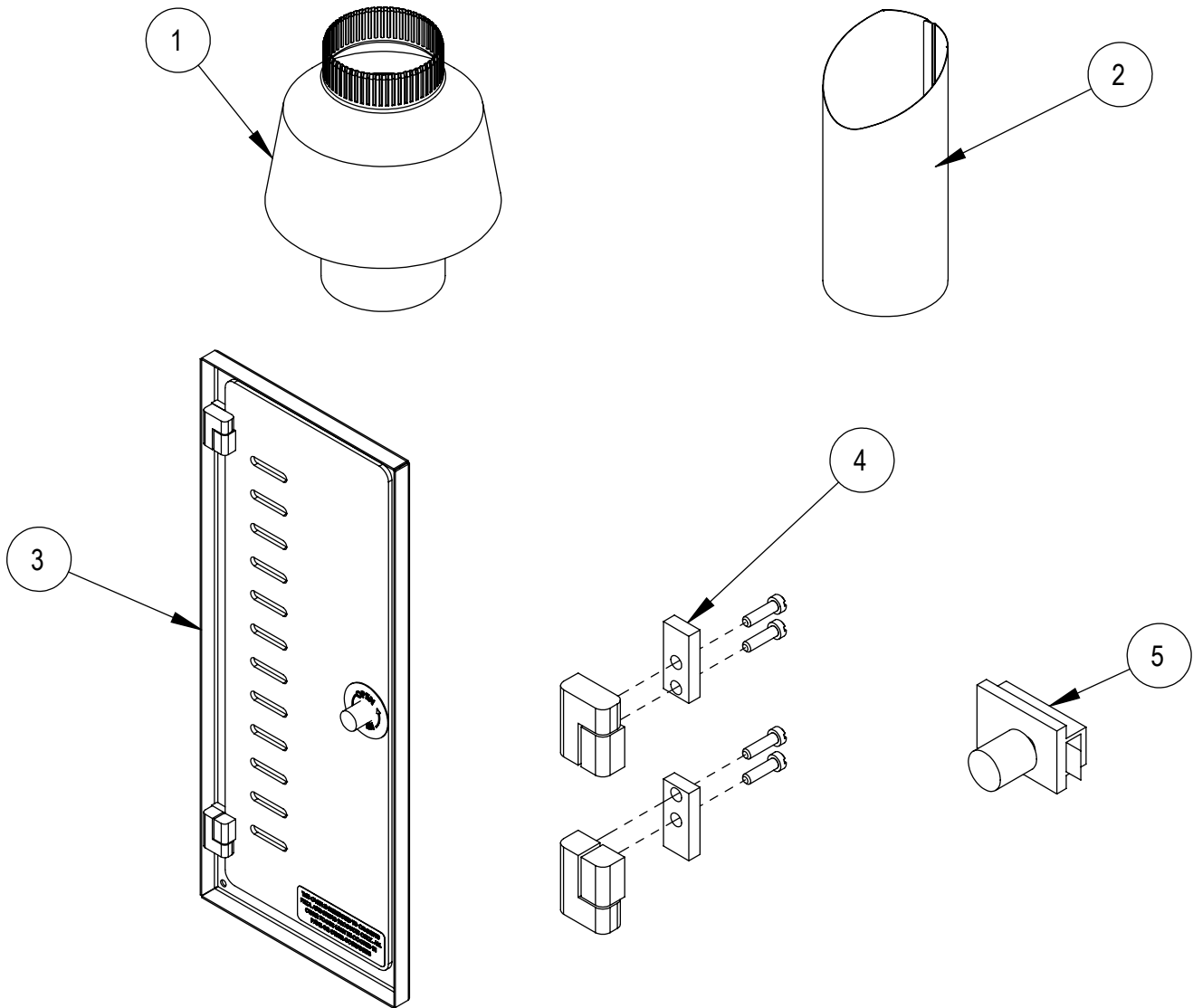


REF. NO.	PART NO.	DESCRIPTION
1	71917	BAKING DOOR, SD10866
2	71983	BURNER DOOR SVC KIT, SD866
3	71892	SD DOOR HANDLE BRACKET KIT
4	70430	36" DOOR HANDLE, S/S
5	70431	24" DOOR HANDLE, S/S
6	71888	SD OVEN DOOR HINGE KIT, LH
7	71891	SD 13-1/4" OVEN DOOR HINGE KIT, RH
8	70143	BURNER DOOR HINGE ASSY
9	71930	BURNER DOOR HINGE HARDWARE KIT

REF. NO.	PART NO.	DESCRIPTION
10	71910	SPRING WHEEL KIT
11	71043	COUPLING ASSY
12	70417	SPRING
13	71182	TEAR DROP, 3"
14	70671	BURNER DOOR STOP, RH
15	70107	BURNER DOOR STOP, LH
16	70154	BUSHING, DOOR PIN
17	72286	SPRING ANCHOR KIT

# SD CONTROL DOOR AND FLUES

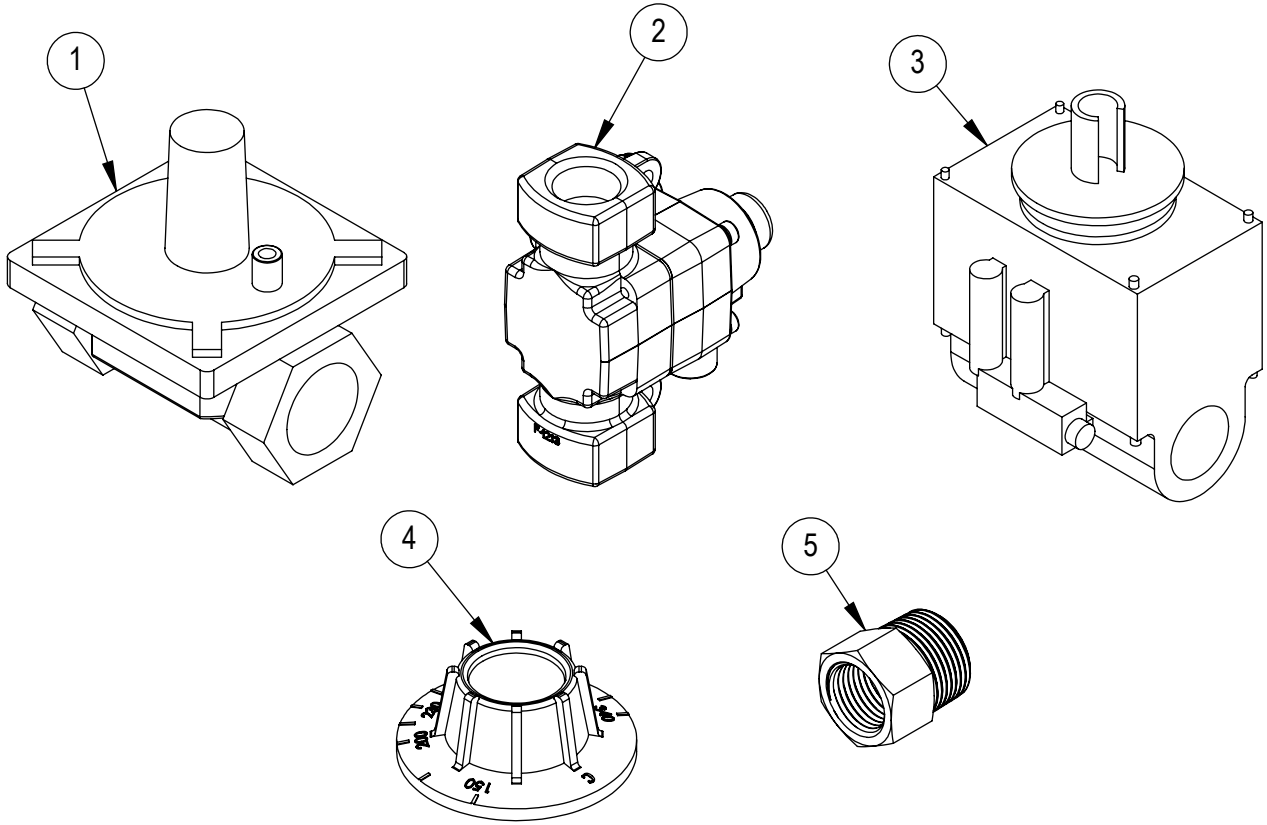
## ALL OVENS



REF. NO.	PART NO.	DESCRIPTION
1	70427	DRAFT HOOD
2	70103	CHIMNEY TOP
3	71067	SD CONTROL DOOR ASSY W/ S/S TRIM
4	71905	CONTROL DOOR HINGE KIT
5	70128	LATCH, CONTROL PANEL

# CE APPROVED COMPONENTS

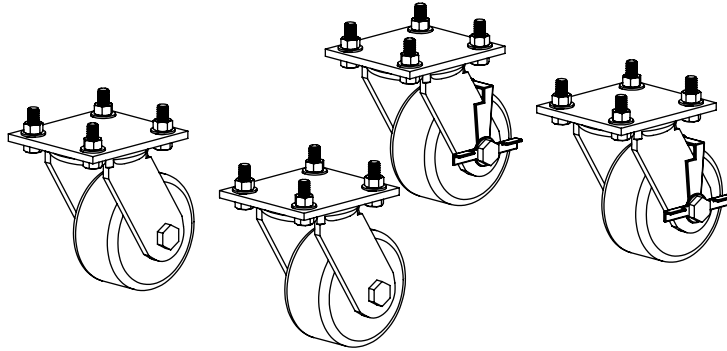
## ALL OVENS



REF. NO.	PART NO.	DESCRIPTION
1	72288	PRESSURE REGULATOR, CE
2	72289	GAS VALVE, CE
3	72443	THERMOSTAT, CE
4	9635	KNOB, THERMOSTAT, CE
5	72276	ADAPTER, 1/2 NPT, FEM X 3/4 BSPT

# ACCESSORIES

## ALL OVENS



REF. NO.	PART NO.	DESCRIPTION
1	72546	CASTERS, SET OF 4