

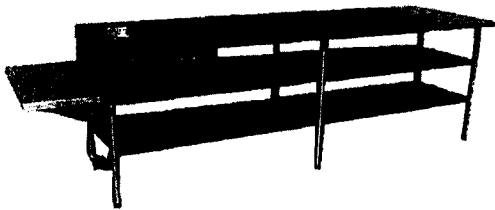
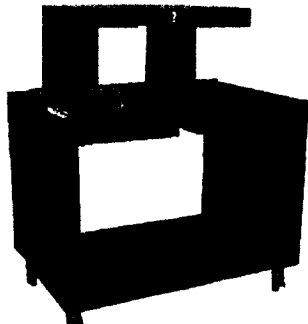
# OWNER'S MANUAL

FIVE GUYS BURGERS AND FRIES

MODELS 145486 COOKED FRIES STATION, 146651 152398 SANDWICH TABLE



Handwritten notes: 9' / 108" and 10.67' / 128"



Supplier Name: **MARSHALL AIR SYSTEMS, INC.**  
 Address: 419 Peachtree Drive South  
 Charlotte, NC 28217

Model #: \_\_\_\_\_  
 Serial #'s: \_\_\_\_\_

Date Received: \_\_\_\_\_

Date Installed: \_\_\_\_\_  
 Telephone #: 704-525-6230  
 Fax #: 704-525-6229  
 Service Referral #: 800-722-3474  
 Local Service: \_\_\_\_\_  
 Local Service #: \_\_\_\_\_

## PRODUCT DESCRIPTION

The Model Cooked Fries Station features Marshall's own ThermoGlo™ heating technology. Heat radiates from every square inch of the upper flat plate heating surface. This eliminates the need to clean intricate calrod, wire and reflector assemblies. The station is equipped with 40 watt lights for illumination. There are two removeable dump pans for the fries.

The sandwich table is constructed of stainless steel. The table is equipped with heated top for sandwich preparation

## GENERAL SPECIFICATIONS

Model:	145486	146651*	152398*
Height:	56"	36"	36"
Width:	44"	108"	128"
Depth:	32"	30"	30"
Electrical:	115V 1PH 18 AMPS	115V 1PH 1.5 AMPS	115V 1PH 2.6 AMPS
Power Cord:	6 ft 3 wire ground type UL rated		
Weight:			
Approvals:	ETL and NSF		

\* These are most common sizes sold, custom sizes are available.

## FOR YOUR SAFETY

**DO NOT STORE OR USE GASOLINE OR OTHER FLAMMABLE VAPORS OR LIQUIDS IN THE VICINITY OF THIS OR ANY OTHER APPLIANCE.**

**WARNING: IMPROPER INSTALLATION, ADJUSTMENT, ALTERATION, OR MAINTENANCE CAN CAUSE PROPERTY DAMAGE, INJURY OR DEATH. READ THE INSTALLATION, OPERATION AND MAINTENANCE INSTRUCTIONS THOROUGHLY BEFORE INSTALLING OR SERVICING THIS EQUIPMENT.**

**KEEP THIS MANUAL IN A SAFE PLACE AND RETAIN FOR FUTURE USE.**

# OWNER'S MANUAL

FIVE GUYS BURGERS AND FRIES

MODELS 145486 COOKED FRIES STATION, 146651, 152398 SANDWICH TABLE

---



## TABLE OF CONTENTS

PRE INSTALLATION .....	1
INSTALLATION .....	1
DAILY CHECKLIST AND CLEANING GUIDE .....	1
MONTHLY MAINTENANCE .....	2
TROUBLESHOOTING CHART.....	2
REPLACEMENT PARTS LIST FOR COOKED FRIES STATION.....	3
REPLACEMENT PARTS FOR SANDWICH TABLE.....	3

## ILLUSTRATIONS

COOKED FRIES STATION REPLACEMENT PARTS.....	FIGURE 1
SANDWICH TABLE 146651 REPLACEMENT PARTS.....	FIGURE 2
SANDWICH TABLE 152398 REPLACEMENT PARTS.....	FIGURE 3
WIRING SCHEMATIC W/SWITCH W/LIGHT .....	DWG 122071
WIRING SCHEMATIC LIGHT STRIP .....	DWG 145772
WIRING SCHEMATIC SANDWICH TABLE.....	DWG 146641

# OWNER'S MANUAL

FIVE GUYS BURGERS AND FRIES

MODELS 145486 COOKED FRIES STATION, 146651, 152398 SANDWICH TABLE



## PRE-INSTALLATION

1. The table and station are packaged to minimize the risk of shipping damage. Immediately upon receipt, make certain to inspect the unit for damage. **FILE ALL CLAIMS WITH THE FREIGHT CARRIER.**
2. Unpack table and station remove all protective paper or plastic covering metal parts. **FILE ANY CONCEALED DAMAGE CLAIMS WITH THE FREIGHT CARRIER.**

## FINAL INSTALLATION

1. Place the sandwich table into position in kitchen.
2. Plug table into a AC 120 Volt receptacle.
3. Place the cooked Fries Station into position in kitchen.
4. Plug the (2) heaters and (1) Light Strip into an AC 120 Volt receptacle.

## DAILY CHECKLIST AND CLEANING GUIDE

### TO USE THE COOKED FRIES STATION

1. Turn on the power switches of the (2) heaters and (1) Light Strip.
2. Power indicator lamp will illuminate indicating power is going to the heaters.
3. The units are ready to use after 15 minutes preheat period.

### TO USE THE SANDWICH TABLE

1. Turn on the power switch.
2. The unit will not be fully heated until approximately 45 minutes has elapsed.
3. The tabletop is approximately between 100°-120° F. It is normal that there are cooler sections notably toward the edges of the table.

### CLEANING CHECKLIST

1. Turn off the units and allow them to cool for 30 minutes.
2. Cleaning may be done with a mild detergent and damp cloth.

**DO NOT IMMERSE WARMER IN WATER!**  
**DO NOT SATURATE WARMER SURFACES WITH WATER!**

# OWNER'S MANUAL

FIVE GUYS BURGERS AND FRIES

MODELS 145486 COOKED FRIES STATION, 146651, 152398 SANDWICH TABLE



**DO NOT USE ABRASIVE OR CORROSIVE CHEMICAL CLEANERS!  
DO NOT USE SHARP OBJECTS TO SCRAPE CLEAN!**

3. Allow sufficient drying time before attempting to use.

## MONTHLY MAINTENANCE

1. Follow the cleaning checklist.
2. Inspect the light bulbs of the light strip. If these fail, do the following.
  - A. Turn power off to strips.
  - B. Remove the bulbs by carefully unscrewing.
  - C. Replace the bulbs with a Marshall approved part.

## TROUBLESHOOTING

### **\*\*DISASSEMBLING HEATER VOIDS WARRANTY\*\***

This section contains a list of possible problems with the unit. Probable causes are listed in the order they are most likely to happen. This sequence should be used to isolate the problem.

#### 1. **PROBLEM: NO HEAT/AND NO LIGHT**

##### **POSSIBLE CAUSE:**

- A) Unplugged. **SOLUTION:** Plug in.
- B) Circuit breaker is tripped. **SOLUTION:** Reset breaker; call electrician if tripped twice.
- C) Cord/plug defective. **SOLUTION:** Unplug unit and replace cord/plug assembly.

#### 2. **PROBLEM: NO LIGHT IN POWER INDICATOR LAMP/WITH HEAT (IF UNIT IS EQUIPPED WITH TOGGLE SWITCH AND LAMP.**

##### **POSSIBLE CAUSE:**

- A) Power indicator lamp burned out. **SOLUTION:** Unplug unit and replace lamp.

#### 3. **PROBLEM: LIGHT IN POWER INDICATOR LAMP/NO HEAT**

##### **POSSIBLE CAUSE:**

- A) Defective heating unit assembly. **SOLUTION:** Check supply voltage, must match rating label voltage. Check voltage to switch, lights and/or heater.

# OWNER'S MANUAL

FIVE GUYS BURGERS AND FRIES

MODELS 145486 COOKED FRIES STATION, 146651, 152398 SANDWICH TABLE



## COOKED FRIES STATION (145486) REPLACEMENT PARTS LIST

**WARNING: USE OF NON-MARSHALL APPROVED PARTS WILL VOID WARRANTY.**

ITEM	PART NUMBER	DESCRIPTION
1	151879	Heat Guard with Marshall Nameplate
2	116036	Cord w/Plug 6 Ft. (120V)
3	500086	Light, Indicator Red (120V)
4	500789	Switch, Toggle
5	501217	Plate, On/Off Indicator
6	501865	Lamp Holder, Ceramic
7	502080	Connector, Strain Relief
8	502239	Bulb, 40w Coated
9	145661	Dump Pan
10	149893	Catch Pan Insert
11	AP8B	Dump Heater (Complete Assembly)
12	503148	Boot, Switch Toggle
13	501629	Caster Without Brake (2 per station)
14	501630	Caster With Brake (2 per station)
15	152910	Kit, Cup Holder Shelves - Optional

## SANDWICH TABLE (146651) 108" / 9' REPLACEMENT PARTS LIST

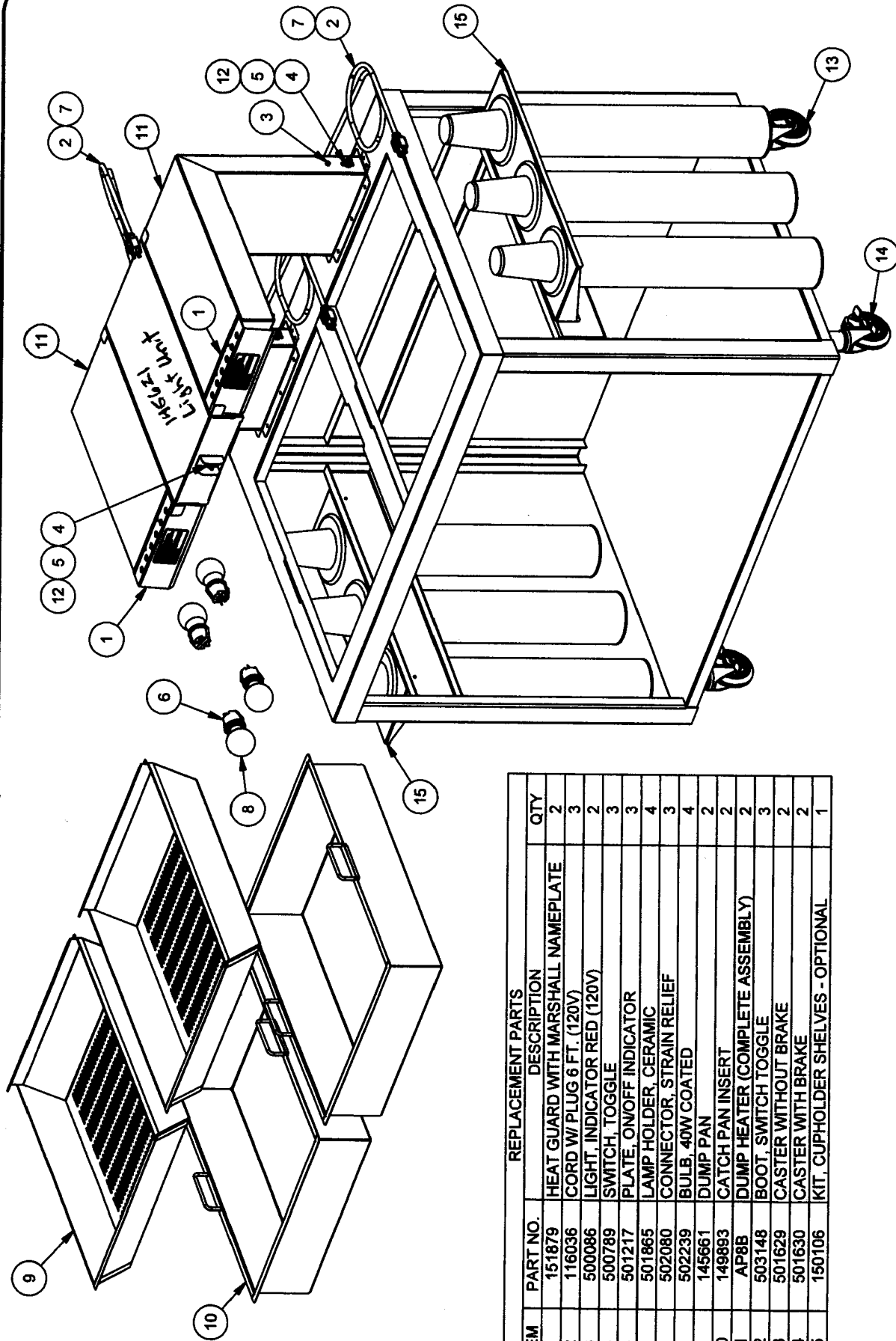
**WARNING: USE OF NON-MARSHALL APPROVED PARTS WILL VOID WARRANTY.**

ITEM	PART NUMBER	DESCRIPTION
1	110590	Cord w/Plug 6 Ft. (120V)
2	147773	Heater Replacement Kit Half of Table (S/N 14564 and Before)
3	<del>504201</del>	Heater Blanket <u>Non Cutout</u> (S/N 14565 and After)
	504225	Heater Blanket <u>Cutout</u> (S/N 14565 and After)
3	500789	Switch, Toggle
4	501217	Plate, On/Off Indicator
5	503148	Boot, Switch Toggle
6	501629	Caster Without Brake (3 per table)

## SANDWICH TABLE (152398) 120" / 10.67' REPLACEMENT PARTS LIST

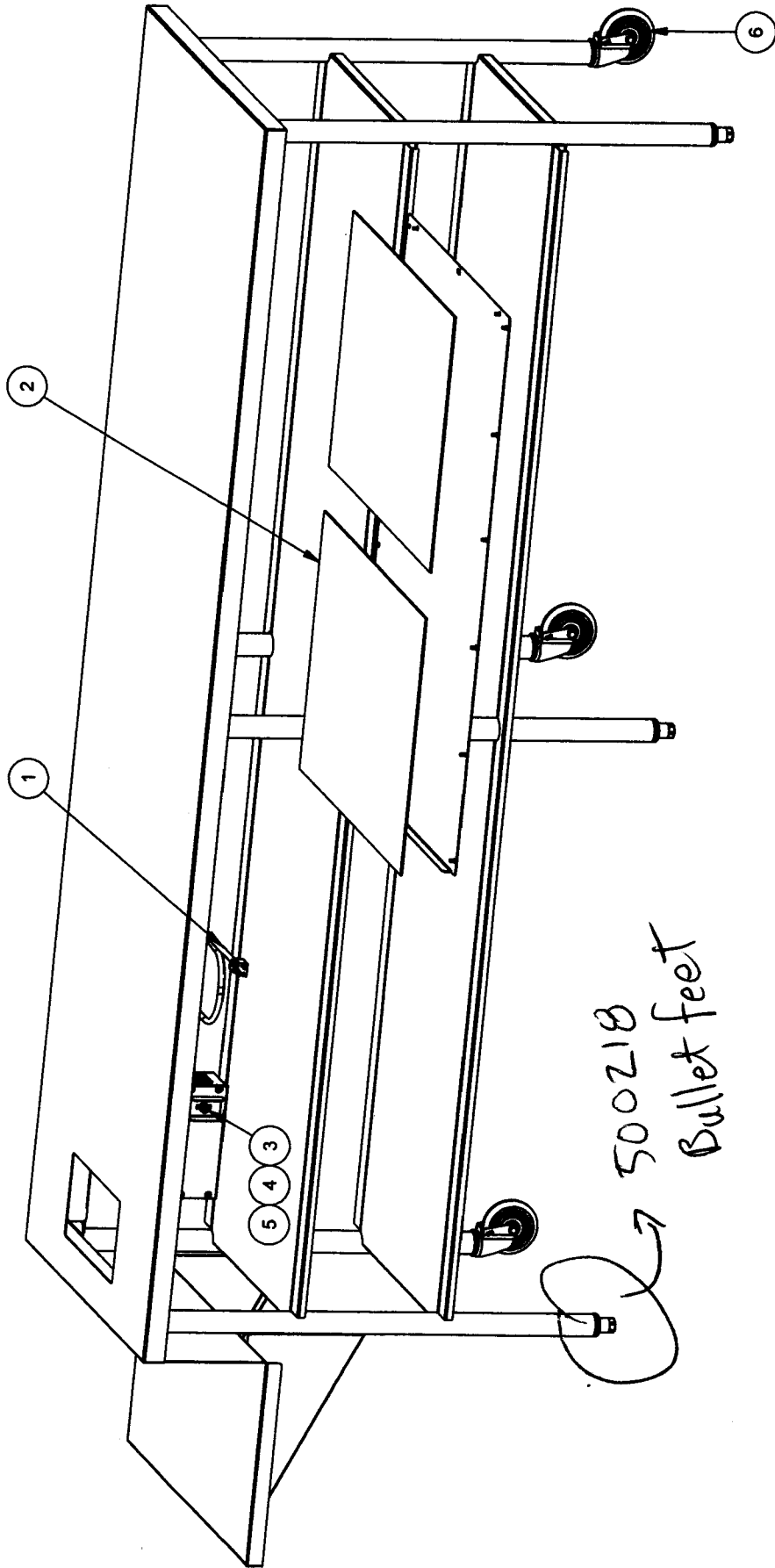
**WARNING: USE OF NON-MARSHALL APPROVED PARTS WILL VOID WARRANTY.**

ITEM	PART NUMBER	DESCRIPTION
1	110590	Cord w/Plug 6 Ft. (120V)
2	157492	Heater Blanket <u>Non Cutout</u> Kit
	504226	Heater Blanket <u>Cutout</u>
3	500789	Switch, Toggle
4	501217	Plate, On/Off Indicator
5	503148	Boot, Switch Toggle
6	501629	Caster Without Brake (3 per table)



REPLACEMENT PARTS			
ITEM	PART NO.	DESCRIPTION	QTY
1	151879	HEAT GUARD WITH MARSHALL NAMEPLATE	2
2	116036	CORD W/ PLUG 6 FT. (120V)	3
3	500086	LIGHT INDICATOR RED (120V)	2
4	500789	SWITCH, TOGGLE	3
5	501217	PLATE, ON/OFF INDICATOR	3
6	501865	LAMP HOLDER, CERAMIC	4
7	502080	CONNECTOR, STRAIN RELIEF	3
8	502239	BULB, 40W COATED	4
9	145661	DUMP PAN	2
10	149893	CATCH PAN INSERT	2
11	AP8B	DUMP HEATER (COMPLETE ASSEMBLY)	2
12	503148	BOOT, SWITCH TOGGLE	3
13	501629	CASTER WITHOUT BRAKE	2
14	501630	CASTER WITH BRAKE	2
15	150106	KIT, CUPHOLDER SHELVES - OPTIONAL	1

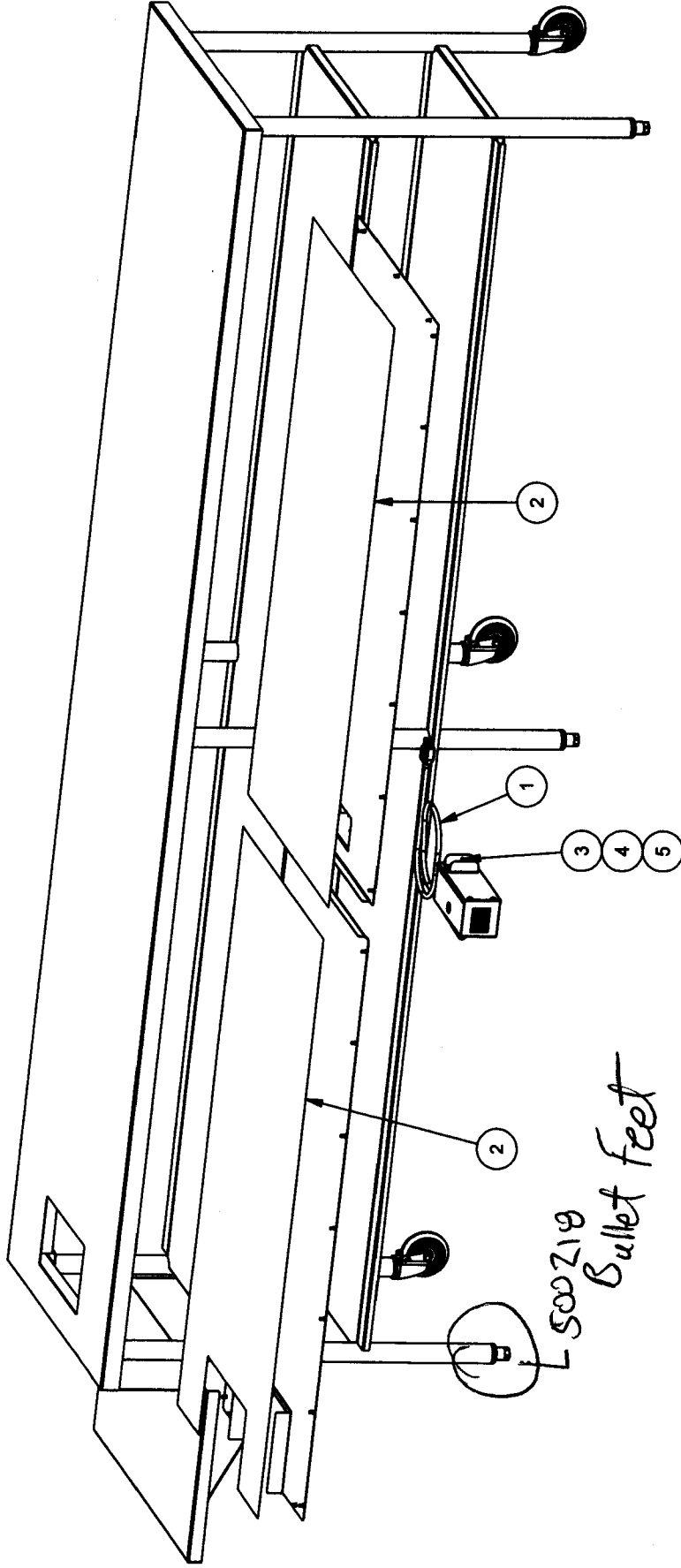
COOKED FRIES STATION REPLACEMENT PARTS  
**FIGURE 1**



REPLACEMENT PARTS			
ITEM	PART NO.	DESCRIPTION	QTY
1	502075	CORD, 14/3 SJTOW W/STR 120V PLUG	1
2	147773	HEATER REPLACEMENT KIT HALF OF TABLE	1
3	500789	SWITCH, TOGGLE	1
4	501217	PLATE, ON/OFF INDICATOR	1
5	503148	BOOT, TOGGLE SWITCH	1
6	501629	CASTER WITHOUT BRAKE	3

SANDWICH TABLE (146651) REPLACEMENT PARTS

FIGURE 2



REPLACEMENT PARTS			
ITEM	PART NO.	DESCRIPTION	QTY
1	502075	CORD, 14/3 SJTOW W/STR 120V PLUG	1
2	152349	HEATER, BLANKET	2
3	500789	SWITCH, TOGGLE 20A DPST EATON #7402K	1
4	501217	PLATE, ON/OFF INDICATOR	1
5	503148	BOOT, TOGGLE SWITCH	1
6	501629	CASTER WITHOUT BRAKE	3

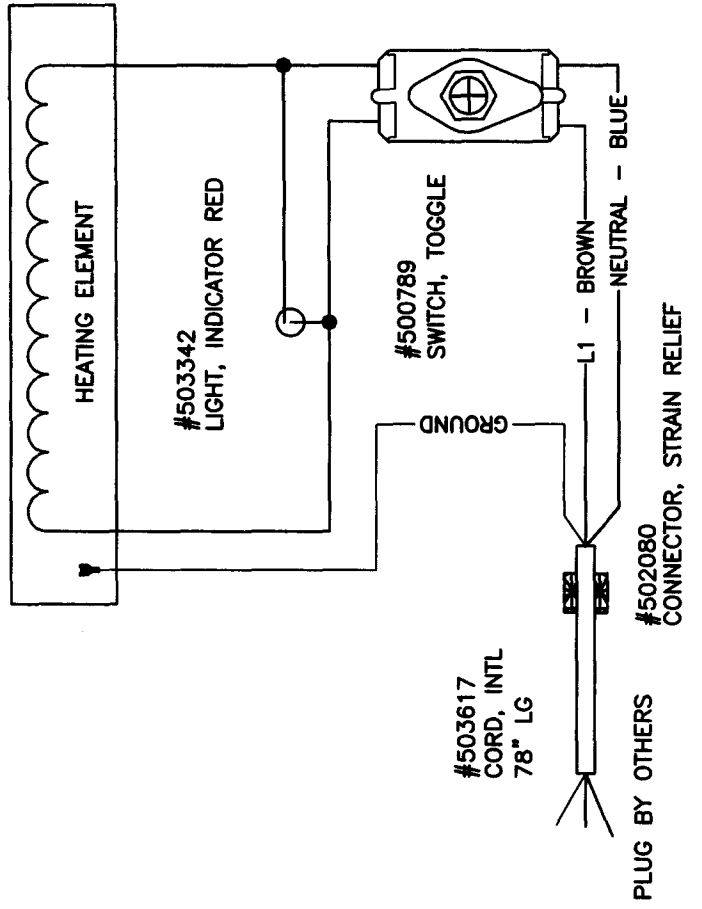
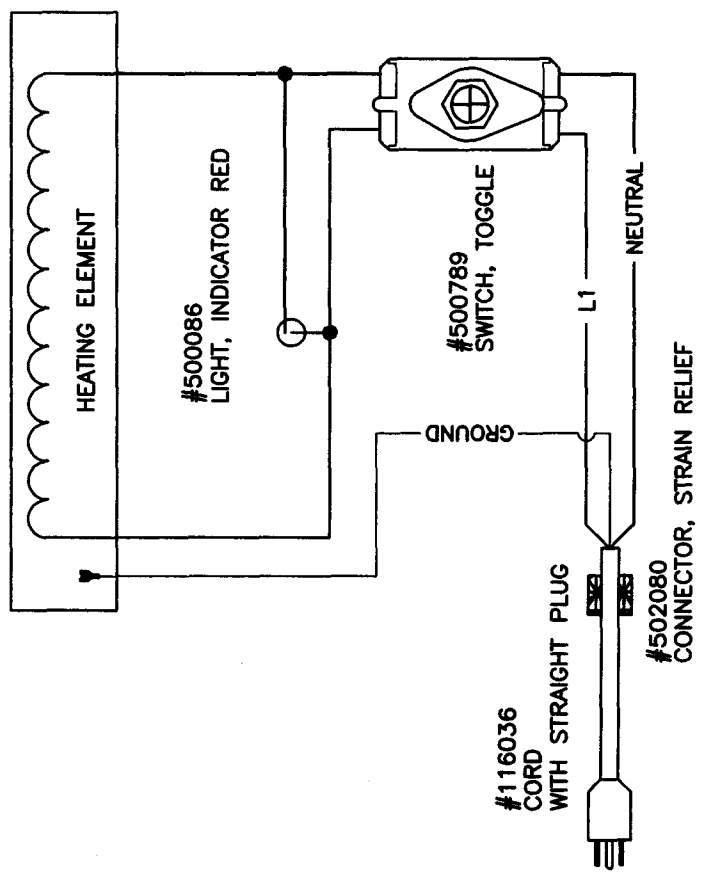
## SANDWICH TABLE (1523 98) REPLACEMENT PARTS

# FIGURE 3

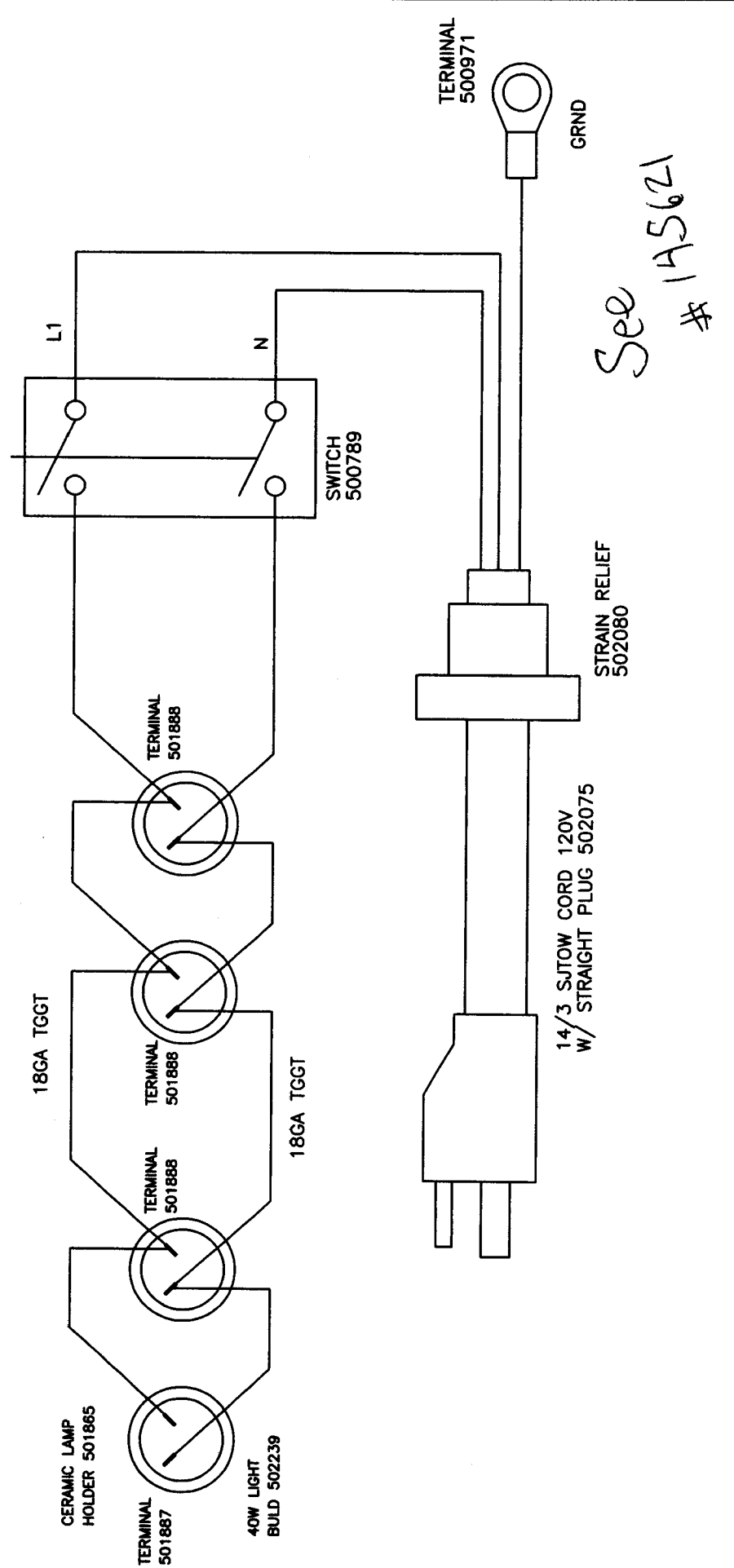
122071

120 VOLTS 8.3 AMPS

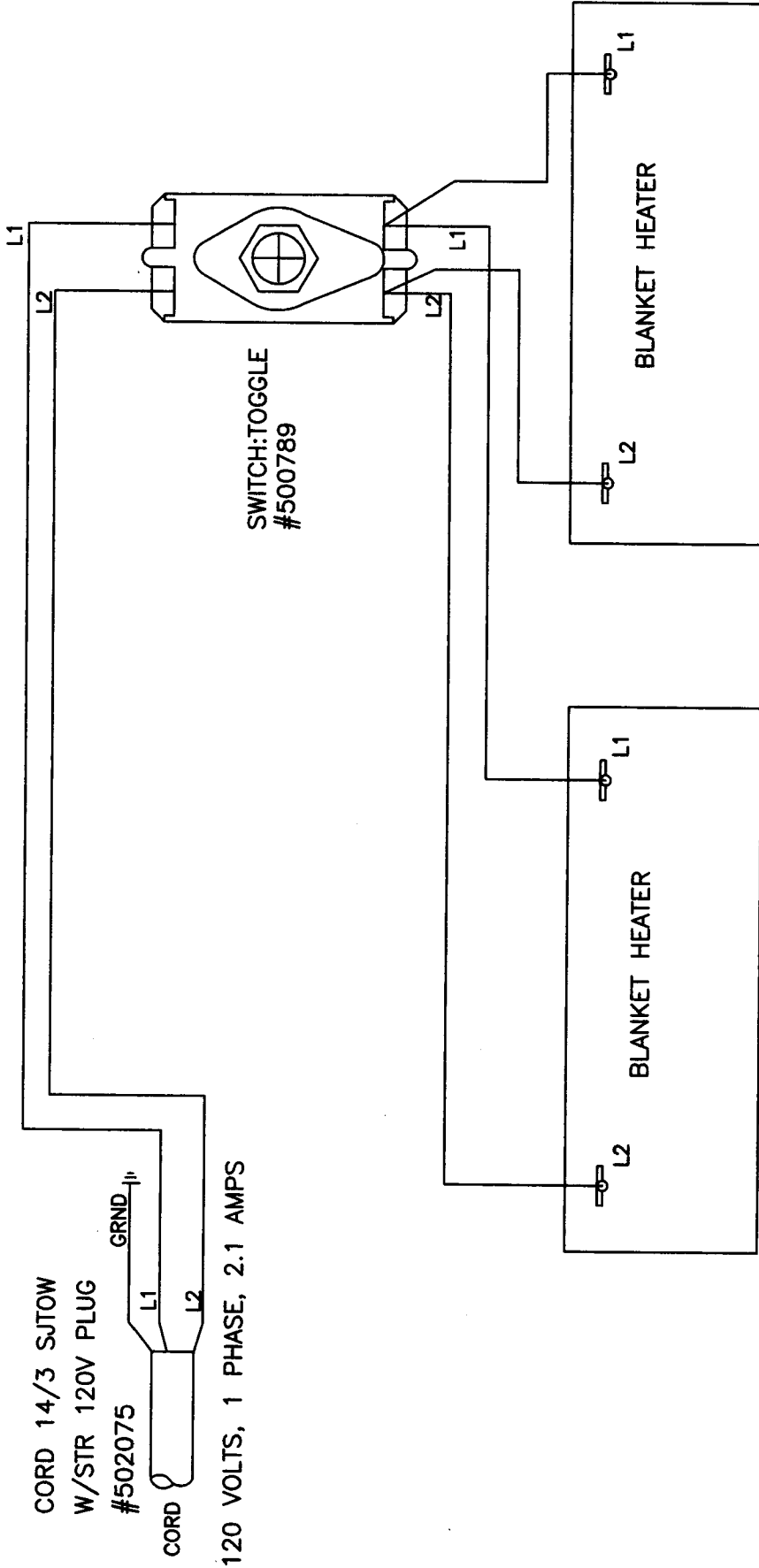
240 VOLTS 4.2 AMPS



REV	DESCRIPTION	DATE	REV. BY	DRAWN BY:	DATE:	REV DATE:	MARSHALL AIR SYSTEMS, INC.	
1	UPDATED, INCORP. SCHEMATIC 140832 240V	28-AUG-2002	JMR	P.W. 31	MAY-1994	14-OCT-2008	SCHEMATIC, AP8 120V / AP8INTL 240V	
2	116036 WAS 110590	14-OCT-2008	J.L.	SCHEMATIC			SIZE: A ROUTE: ELECT DWG. NO.: 122071 REV.: 2	
				FAB			SCALE: 1:2 NTS IMAGE MAY BE REDUCED CODE: AP8 AP8B AP8C AP8D	
							REFERENCE X	



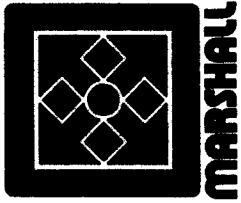
REV	DESCRIPTION	DATE	REV. BY	REV.	DATE	REV DATE:	MARSHALL AIR SYSTEMS, INC.		
-						D.M. 18-OCT-2004	SCHEMATIC, 120V 4 LIGHT SYSTEM		
GENERIC NAME: SCHEMATIC							SIZE: A	ROUTE: ELECT	REV: 0
PRODUCT LINE: FAB							SCALE: 1:1	DWG. NO.: 145772	IMAGE MAY BE REDUCED CODE: NTS
PRODUCT CLASS: HHC							BM145621		
REFERENCE							Copyright 2004 All rights reserved. JAF Systems, Inc.		



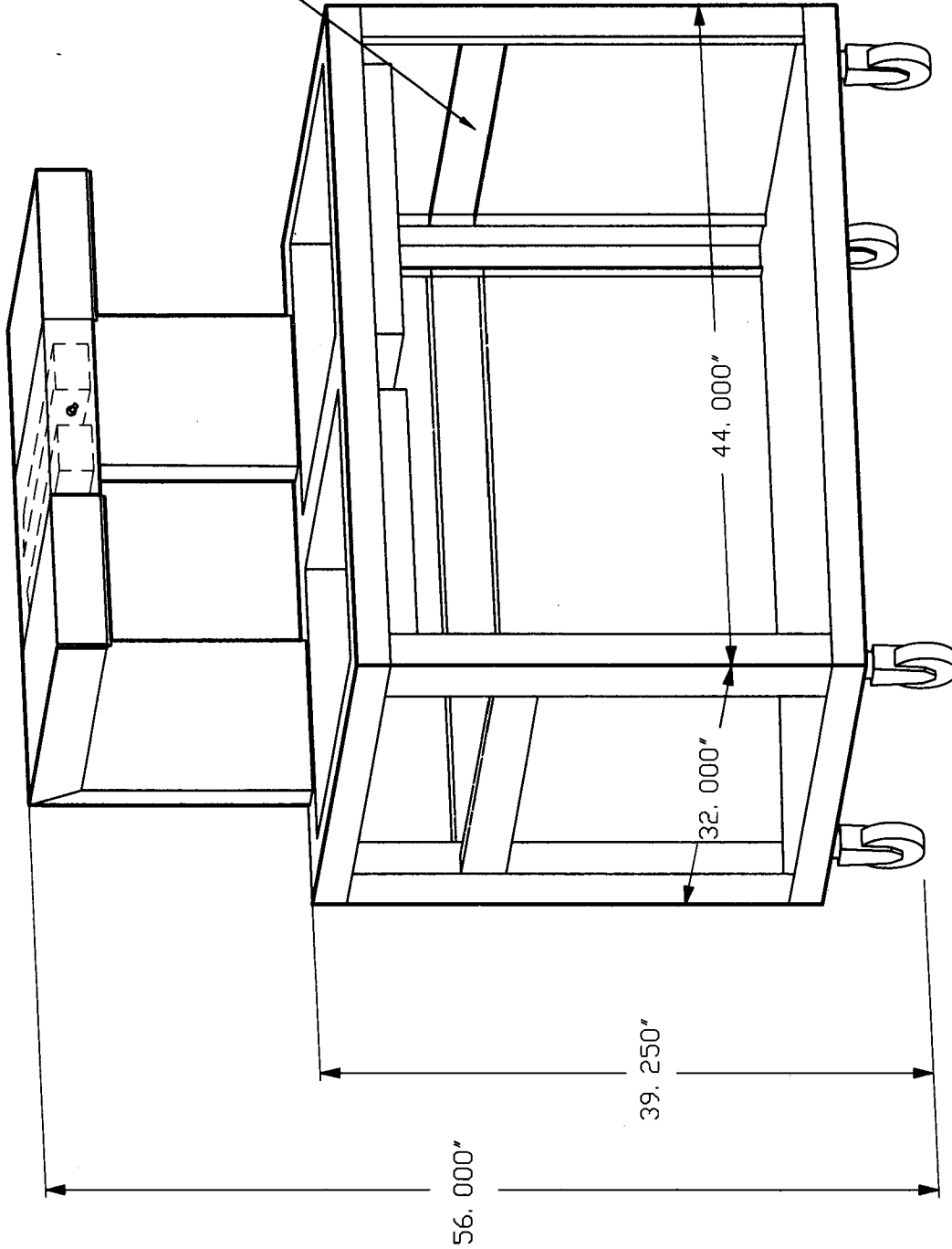
REV	DESCRIPTION	DATE	REV. BY	DRAWN BY:	DATE:	REV DATE:
1	REMOVE INFINITE SWITCH, AMPS WERE 9.2	29-MAR-2005	DM	D.M.	10-MAR-2005	-
2	REMOVED HEATER INFO AND P/N	06-NOV-2008	J.L.	GENERIC NAME:		
3	AMPS REVISED	19-NOV-2008	PW	SCHMATIC		
				PRODUCT LINE:		
				FAB		
				PRODUCT CLASS:		
				MIS		
	REFERENCE			SIZE:		
				A		
				ROUTE:		
				ELECT		
				DWG. NO.:		
				146641		
				SCALE:		
				1:1		
				NTS		
				IMAGE MAY BE REDUCED		
				CODE:		
				BM146651		
				REV.:		
				3		

MARSHALL AIR SYSTEMS, INC.

SCHEMATIC, SANDWICH TABLE  
120V, 1PH



SIDE STIFFENERS HAVE RIVETS ATTACHED FOR OPTIONAL BRACKETS THAT CAN HOLD 3 SINGLE COUNTER-MOUNT CUP-HOLDERS. THE CUP-HOLDERS ARE NOT PROVIDED WITH OPTIONAL BRACKETS.



**COOKED FRIES STATION** Model # 145486

**CUSTOM OVERSHELF**

**ELECTRICAL SPECIFICATIONS:**

AP8B DUMP WARMER - 120V 8.3 AMPS (1000 WATTS, 1KW)

AP8B DUMP WARMER - 120V 8.3 AMPS (1000 WATTS, 1KW)

#145621 LIGHTS - 120V 1.3 AMPS (160 WATTS, .16KW)

NOTE: EACH UNIT HAS SEPARATE POWER CORD AND ON/OFF SWITCH.

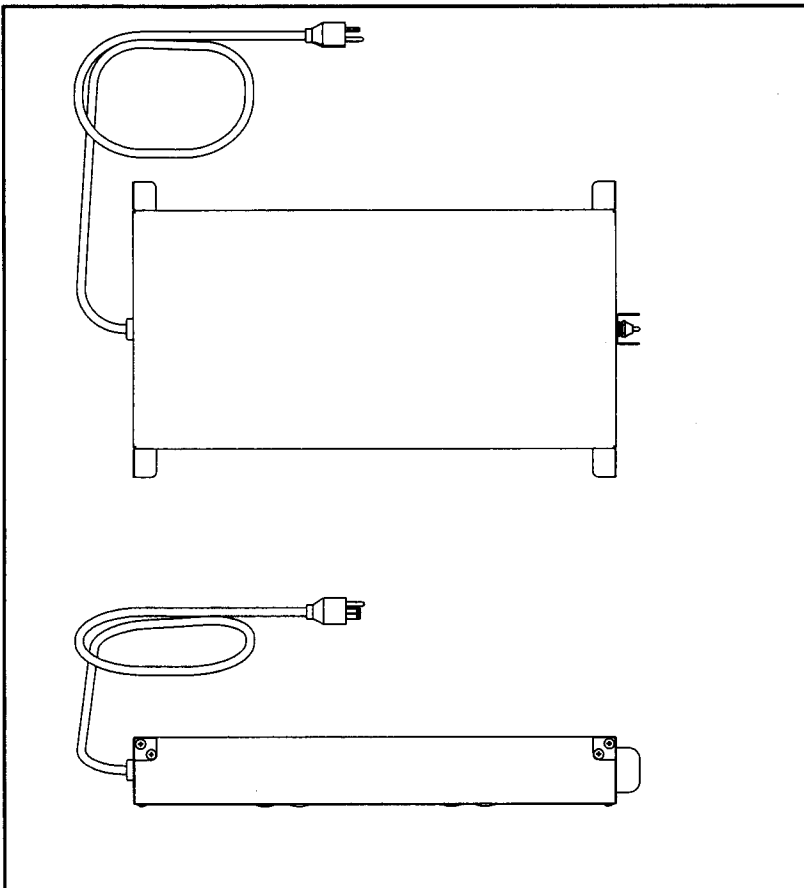
EACH UNIT SUPPLIED WITH 4 SPARE BULBS.



This drawing is the property of Marshall Air Systems, Inc., and contains confidential and proprietary information of Marshall Air Systems, Inc. This drawing is provided to the recipient on loan only for purposes of reference, installation, use and/or maintenance of the depicted equipment of Marshall Air Systems, Inc., and for no other purpose. This drawing shall not be copied, reproduced, loaned, disposed of or otherwise disclosed to any third party, either directly or indirectly except in carrying out the aforesaid purposes, and shall be returned to Marshall Air Systems, Inc., upon request. The recipient's acceptance of this drawing shall be deemed to constitute express consent and agreement to the foregoing terms.

COPY

145621



Parts List			
ITEM	PART NO.	DESCRIPTION	QTY
1	156730	WRAP, LIGHT HOUSING	1
2	145771	BRACKET, LIGHT MOUNTING	4
3	501500	SCR: #10 -32 X .250"(M)TRS PH S(HOLDS BRACKETS)	8
4	500789	SWITCH, TOGGLE 20A DPST EATON #7402K	1
5	145573	GUARD, SWITCH 500798	1
6	503148	BOOT, TOGGLE SWITCH	1
7	502080	CONNECTOR, STRAIN RELIEF	1
8	502075	CORD, 14/3 SJTOW W/STR 120V PLUG	1
9	501865	LAMP HOLDER, CERAMIC	4
10	502239	BULB, LIGHT 40W 130V TUFKIN	4
11	156731	WRAP, LIGHT SOCKET	1
12	502122	SCR: 10-24 X .375 TAP TITE HOLD WRAP	2
13	501355	NUT, ACORN #10-32 PLATED STL(HOLDS BRACKETS)	8

<table border="1"> <thead> <tr> <th colspan="4">REVISION HISTORY</th> </tr> <tr> <th>REV</th> <th>DESCRIPTION</th> <th>DATE</th> <th>BY</th> </tr> </thead> <tbody> <tr> <td>1</td> <td>CHG DESIGN</td> <td>1/21/2011</td> <td>PW</td> </tr> </tbody> </table>				REVISION HISTORY				REV	DESCRIPTION	DATE	BY	1	CHG DESIGN	1/21/2011	PW	<table border="1"> <tr> <td>DRAWN BY:</td> <td>DATE:</td> </tr> <tr> <td>D.M.</td> <td>10/14/2004</td> </tr> <tr> <td colspan="2">GENERIC NAME:</td> </tr> </table>		DRAWN BY:	DATE:	D.M.	10/14/2004	GENERIC NAME:		<p align="center"><b>MARSHALL AIR SYSTEMS, INC.</b></p> <p align="center"><b>LIGHT, DUAL TGLO 120V</b></p> <p align="center"><b>USE WITH TABLE 145486</b></p>			
REVISION HISTORY																											
REV	DESCRIPTION	DATE	BY																								
1	CHG DESIGN	1/21/2011	PW																								
DRAWN BY:	DATE:																										
D.M.	10/14/2004																										
GENERIC NAME:																											
<table border="1"> <tr> <td>PRODUCT LINE:</td> <td>PRODUCT CLASS:</td> </tr> <tr> <td>FAB</td> <td>VNT</td> </tr> </table>		PRODUCT LINE:	PRODUCT CLASS:	FAB	VNT	<table border="1"> <tr> <td>SIZE:</td> <td>ROUTING:</td> <td>DWG. NO.:</td> <td>REV.:</td> </tr> <tr> <td>A</td> <td>ROUTE</td> <td>145621</td> <td>1</td> </tr> </table>		SIZE:	ROUTING:	DWG. NO.:	REV.:	A	ROUTE	145621	1												
PRODUCT LINE:	PRODUCT CLASS:																										
FAB	VNT																										
SIZE:	ROUTING:	DWG. NO.:	REV.:																								
A	ROUTE	145621	1																								
<table border="1"> <tr> <td>MATERIAL:</td> <td>SCALE:</td> <td>IMAGE MAY BE REDUCED</td> <td>CODE:</td> </tr> <tr> <td>REFERENCE</td> <td>1:1</td> <td>NTS</td> <td>BM145621</td> </tr> </table>		MATERIAL:	SCALE:	IMAGE MAY BE REDUCED	CODE:	REFERENCE	1:1	NTS	BM145621																		
MATERIAL:	SCALE:	IMAGE MAY BE REDUCED	CODE:																								
REFERENCE	1:1	NTS	BM145621																								

Copyright © 2011 Marshall Air Systems, Inc. All rights reserved

# TECHNICAL BULLETIN



**DATE:** October 27, 2010

**PRODUCT:** Five Guys Sandwich / Makeup Tables

**REASON/PART NUMBER:** Customer requested to be able to move the casters to opposite side of table depending on kitchen equipment orientation.

Starting with all Sandwich Tables with serial numbers 1110H and after, the customer will be able to switch the casters / bullet feet from side to side on the table.

There is now a leg coupling on the table. Using a common 3/16" Allen Wrench, the customer simply loosens BOTH of the set screws of the coupling. The caster or bullet foot with a short length of tube will then be able to move to other side. The set screws will then need to be re-tightened once the leg is relocated.

coupling



Using common 3/16" Allen wrench, loosen BOTH set screws here to move to other side