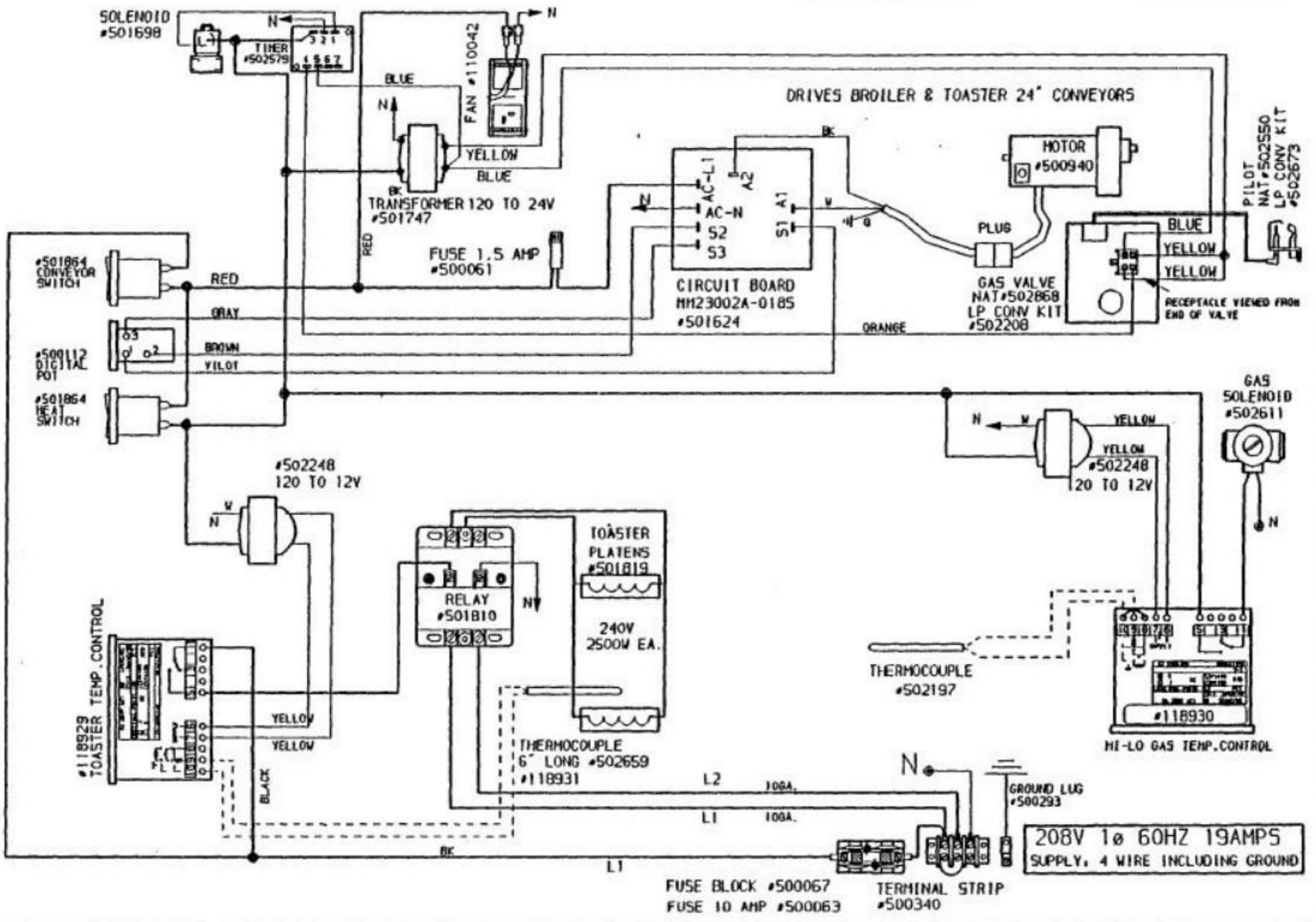
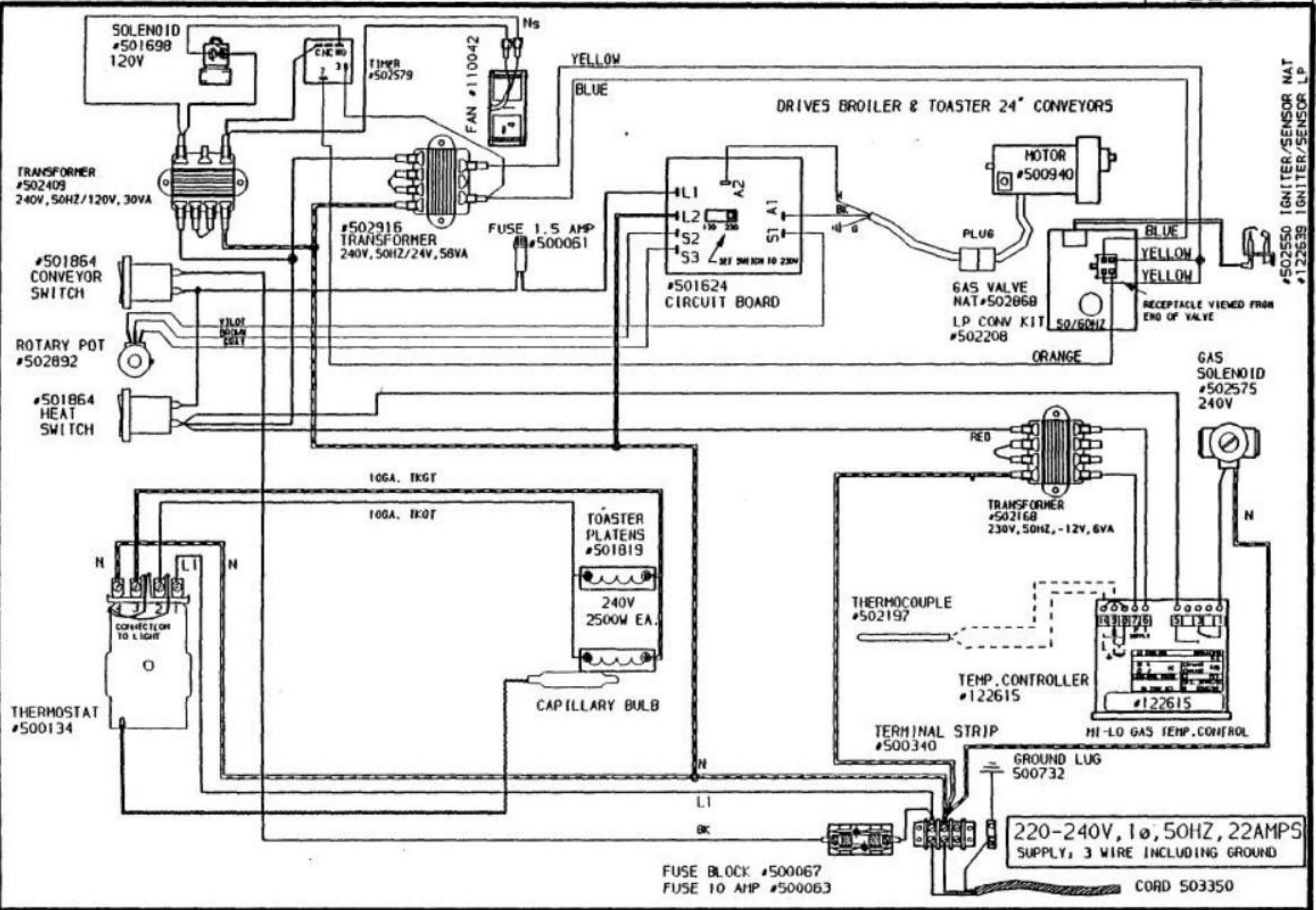


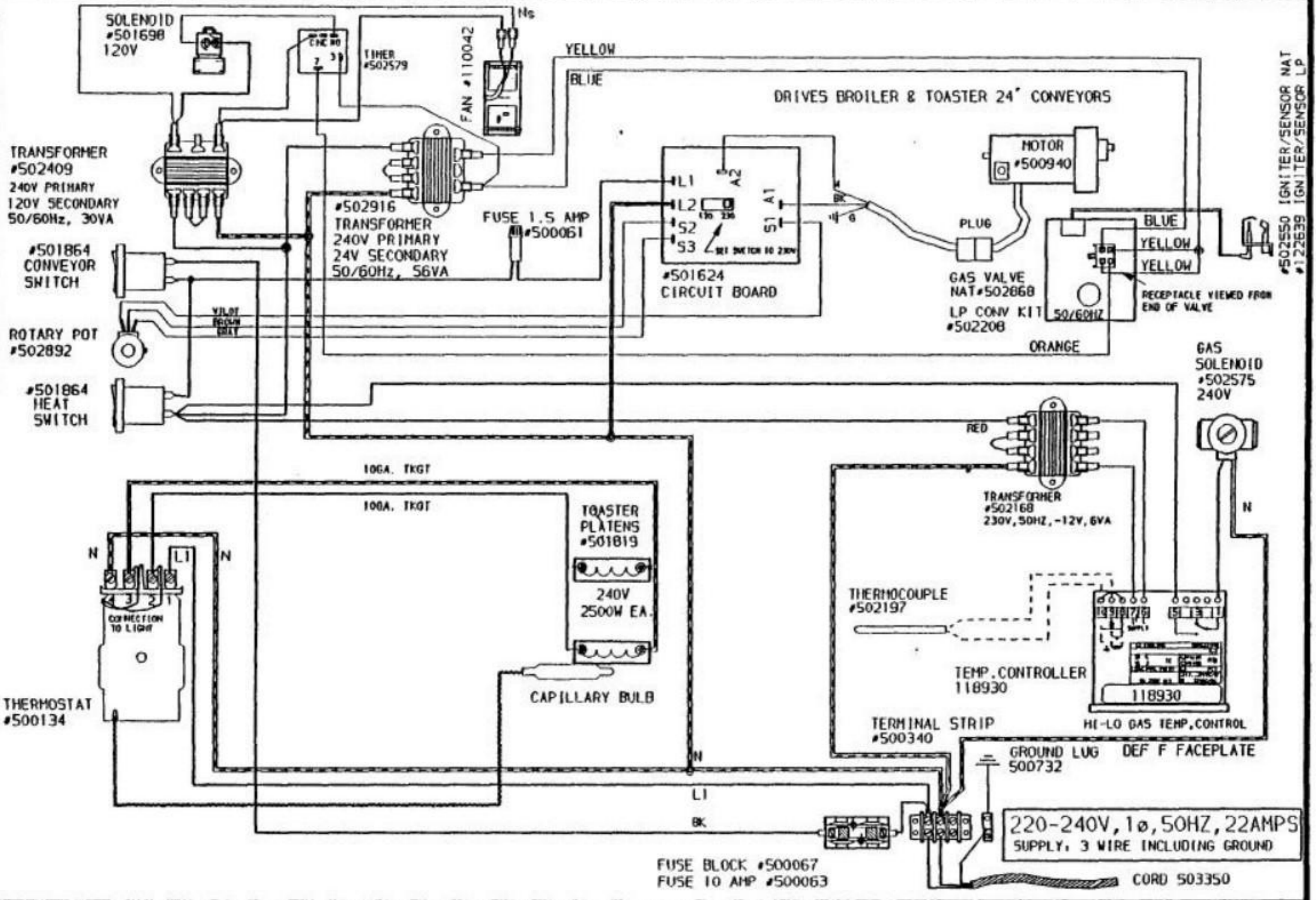
REV	DATE	DESCRIPTION	JR	19-APR-94	SCHEMATIC, 2424G, 208V, 1PH, 60Hz			
10	11-AUG-97	#502868 WAS #502549 (TS) CORRECTED CIRCUIT BOARD SLIDE SWITCH POSITION TO 120V (CP)	REFERENCE		SIZE	PROJ. CODE:	DWG NO.	REV
11	15-DEC-97				A		121664	11
					SCALE	1:1 NTS IMAGE MAY BE REDUCED		AC2B, AC2J



REV	DATE	DESCRIPTION	R.S.	19-APR-94	SCHEMATIC, 2424G, 208V, 1PH, 60Hz				
1	03-JUN-94	REMOVE CIRCUIT BREAKER	REFERENCE		SIZE	PROJ. CODE: AC2D	DWG NO.	REV	
2	17-JUN-94	ADD 1.5 AMP FUSE.			A		121801	4	
3	04-OCT-94	CH. WIRING LAYOUT. (MC/JR)			SCALE	1:1 NTS	IMAGE MAY BE REDUCED		FIGURE 12
4	11-AUG-97	#502868 WAS #502549 (TS)							



REV	DATE	DESCRIPTION	JR	21-SEP-94	SCHEMATIC: 2424G 220-240V, 1 PH, 50 HZ			
3	23-FEB-95	ADDED LP IGNITER/SENSOR	REFERENCE		SIZE	PROJ. CODE: AC2BINTL	DWG NO. 122597	
4	16-MAR-95	DELETED NEUTRAL WIRE (L5)			A			REV 6
5	11-DEC-96	CHG GND LUG FROM 500340 TO 500732.						
6	30-JUL-97	ADDED CORD P/N 503350 (CP) ADDED VOLTAGE RATINGS TO GAS SOLENOIDS (CP)						
					SCALE	1:1 NTS IMAGE MAY BE REDUCED		



REV	DATE	DESCRIPTION	C.P.	06-NOV-97	SCHEMATIC, 2424G, 220/240V W/ DEG F CONTROL			
1	18-NOV-97	UPDATE TRANSFORMER DESC FROM 50 TO 50/60 Hz [CP]	REFERENCE		SIZE A	PROJ. CODE AC2B	DWG NO. 133551	REV 1
					SCALE 1:1 NTS IMAGE MAY BE REDUCED			