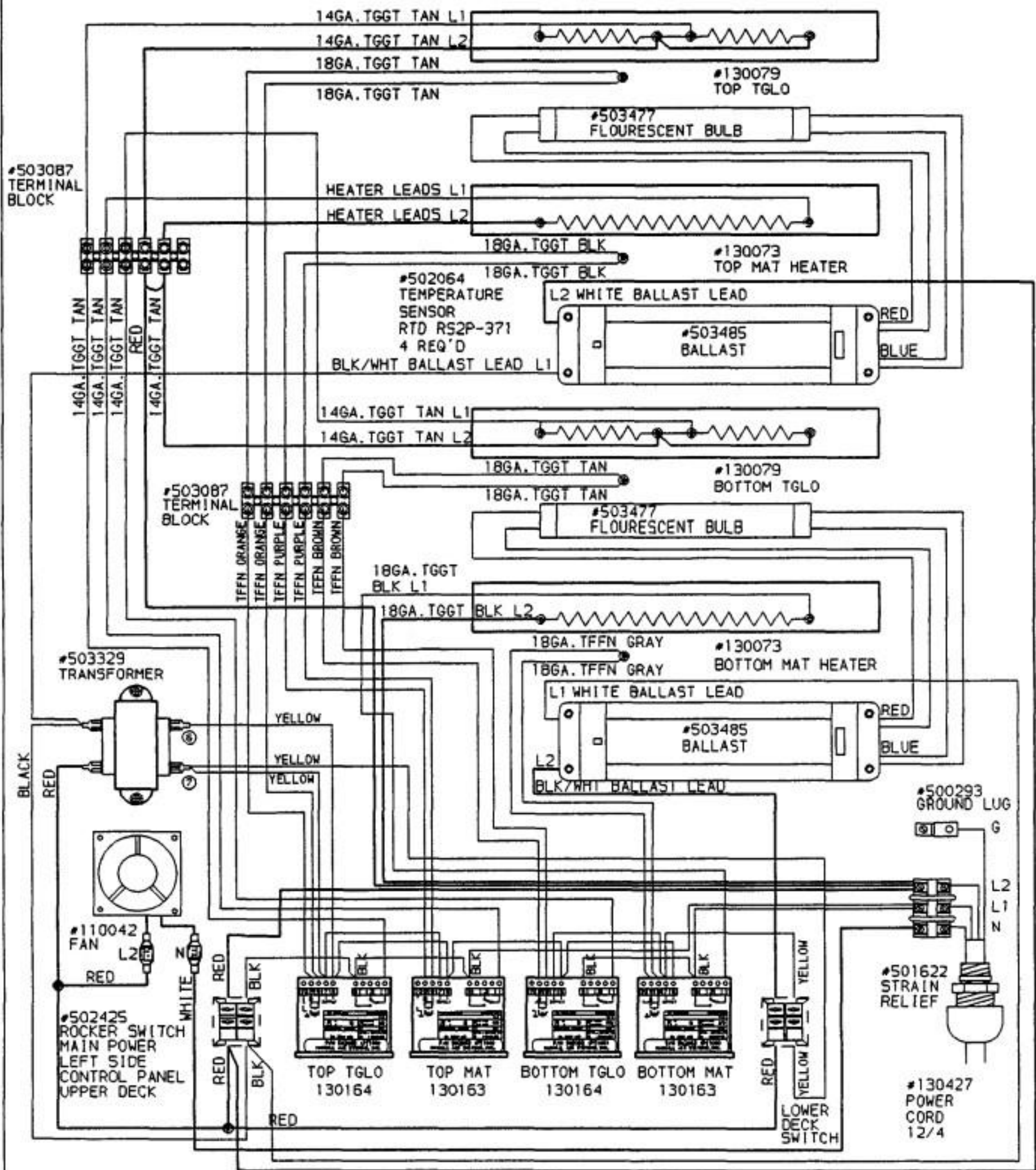
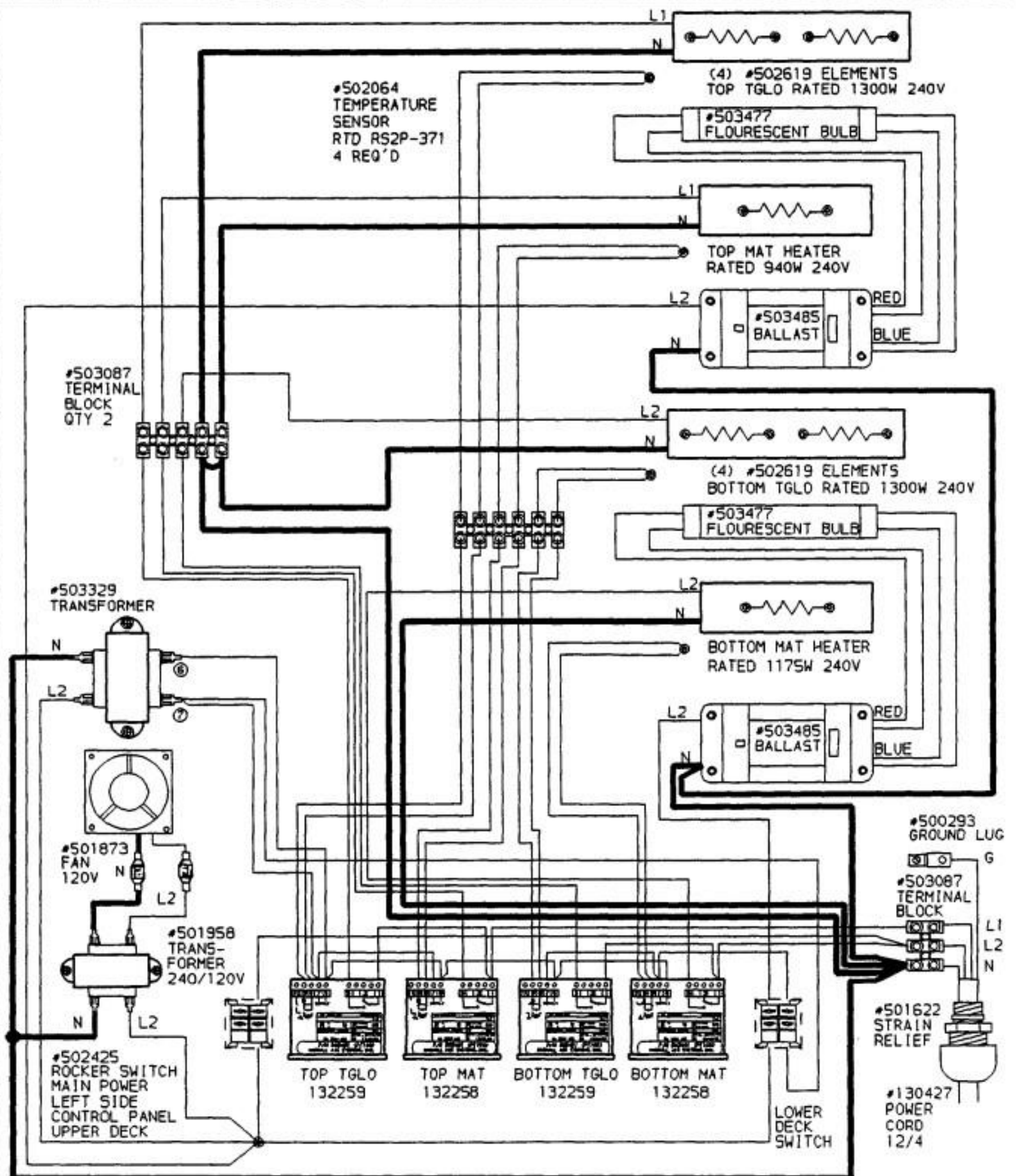


| | | |
|---|--|--|
| <p>B 27-AUG-1999 503310 WAS 133096 [CP]</p> | <p>J.M.R. 04-AUG-97</p> <p>ELECTRICAL: 4360W 220V 19.8AMPS 5177W 240V 21.6AMPS</p> <p>REFERENCE</p> <p>SCALE X</p> | <p>MARSHALL AIR SYSTEMS, INC.</p> <p>SCHMATIC, TRANSFER CABINET 220/240V 50/60Hz 1PH</p> <p>DWG NO. 132411 REV 8</p> <p>1:4 DRAWING MAY BE REDUCED CODE: CB1INTL</p> |
|---|--|--|



| | | | | |
|-----------|-------------|-----------|--|--------|
| | JR | 20-DEC-96 | MARSHALL AIR SYSTEMS, INC. | |
| 8 | 03-AUG-1999 | | SCHEMATIC, TRANSFER CABINET | |
| 9 | 25-AUG-1999 | | 4360W 208V 21.0A | |
| 10 | 24-SEP-1999 | | DWG NO. 130591 | REV 10 |
| REFERENCE | | A | SCALE 1:4 DRAWING MAY BE REDUCED CODE: CB1 | |
| X | | | | |



| | | | | | |
|--|--|--|-----|--------------------------------------|-------|
| J.M.R. | | 10-DEC-97 | | MARSHALL AIR SYSTEMS, INC. | |
| 1 13-MAY-98 CORRECTED ELEMENT P/N FROM 502819 TO 502619 [JMR] | | SCHEMATIC, TRANSFER CABINET 4775W 240V 19.9A S/N 11970004 | | | |
| 2 25-AUG-1999 DELETED PURCH. FOR TEMP. CONTROLLERS | | REFERENCE | A / | DWG NO. 133664 | REV 2 |
| X | | SCALE 1:4 | | DRAWING MAY BE REDUCED CODE: CB1INTL | |

#502064
TEMPERATURE
SENSOR
RTD RS2P-371
4 REQ'D

(4) #502619 ELEMENTS
TOP TGLO RATED 1300W 240V

#503477
FLOURESCENT BULB

TOP MAT HEATER
RATED 940W 240V

#503485
BALLAST

(4) #502619 ELEMENTS
BOTTOM TGLO RATED 1300W 240V

#503477
FLOURESCENT BULB

BOTTOM MAT HEATER
RATED 940W 240V

#503485
BALLAST

#500293
GROUND LUG

#503087
TERMINAL
BLOCK

#501622
STRAIN
RELIEF

#130427
POWER
CORD
12/4

#503087
TERMINAL
BLOCK
QTY 2

#503329
TRANSFORMER

#501873
FAN
120V

#501958
TRANS-
FORMER
240/120V

#502425
ROCKER SWITCH
MAIN POWER
LEFT SIDE
CONTROL PANEL
UPPER DECK

TOP TGLO
132259

TOP MAT
132258

BOTTOM TGLO
132259

BOTTOM MAT
132258

LOWER
DECK
SWITCH

J.M.R. 10-DEC-97

MARSHALL AIR SYSTEMS, INC.

1 13-MAY-98
CORRECTED ELEMENT
P/N FROM 502819
TO 502619 [JMR]

SCHEMATIC, TRANSFER CABINET
4540W 240V 18.9A S/N 11970005

2 25-AUG-1999
DELETED PURCH. FOR
TEMP. CONTROLLERS

REFERENCE

A /
SCALE

DWG NO. 133665

REV 2

1:4 DRAWING MAY BE REDUCED CODE: CB1INTL