

EN Installation, Operation and Maintenance Instructions

FR Instructions d'installation, d'utilisation et d'entretien

Outdoor Refrigerators
Réfrigérateurs
d'extérieur

MO15RAS

MO24RAS



CONTENTS

Contents:

Safety information	2
Unpacking your appliance	3
Warranty registration	3
Installing your appliance	4
Cabinet clearances	4
Leveling the appliance	4
Electrical connection	5
Installing the anti-tip device	6
Product Dimensions	8
Using your Electronic control	10
Starting your appliance	10
Turning your appliance "ON" or "OFF"	10
Adjusting the temperature	10
Refrigerator operation	10
Alarms	10
Door ajar	10
Temperature sensor fault	10
High and Low temperature	10
Alarm mute	11
Shelving configurations	11
Care and cleaning	14
Long term storage / winterization	15
Stainless steel maintenance	16
Energy saving tips	16
Obtaining service	17
Troubleshooting	18
Warranty	19

Important Safety Instructions

Warnings and safety instructions appearing in this guide are not meant to cover all possible conditions and situations that may occur. Common sense, caution, and care must be exercised when installing, maintaining, or operating this appliance.

Recognize Safety Symbols, Words, and Labels.

WARNING

WARNING-You can be killed or seriously injured if you do not follow these instructions.

CAUTION

CAUTION-Hazards or unsafe practices which could result in personal injury or property / product damage.

NOTE

NOTE-Important information to help assure a problem free installation and operation.

WARNING

State of California Proposition 65 Warning:
This product contains one or more chemicals known to the State of California to cause cancer.

WARNING

State of California Proposition 65 Warning:
This product contains one or more chemicals known to the State of California to cause birth defects or other reproductive harm..

UNPACKING YOUR APPLIANCE



WARNING

EXCESSIVE WEIGHT HAZARD

Use two or more people to move product.
Failure to do so can result in personal injury.

Remove Interior Packaging

Your appliance has been packed for shipment with all parts that could be damaged by movement securely fastened. Remove internal packing materials and any tape holding internal components in place. The owners manual is shipped inside the product in a plastic bag along with the warranty registration card, and other accessory items.

Important

Keep your carton and packaging until your appliance has been thoroughly inspected and found to be in good condition. If there is damage, the packaging will be needed as proof of damage in transit. Afterwards please dispose of all items responsibly.



WARNING

WARNING - Dispose of the plastic bags which can be a suffocation hazard.

Note to Customer

This merchandise was carefully packed and thoroughly inspected before leaving our plant. Responsibility for its safe delivery was assumed by the retailer upon acceptance of the shipment. Claims for loss or damage sustained in transit must be made to the retailer.

NOTE

DO NOT RETURN DAMAGED MERCHANDISE TO THE MANUFACTURER - FILE THE CLAIM WITH THE RETAILER.



CAUTION

If the appliance was shipped, handled, or stored in other than an upright position for any period of time, allow the appliance to sit upright for a period of at least 24 hours before plugging in. This will assure oil returns to the compressor. Plugging the appliance in immediately may cause damage to internal parts.

Warranty Registration

It is important you send in your warranty registration card immediately after taking delivery of your appliance or you can register online at www.marvelrefrigeration.com.

The following information will be required when registering your appliance.

Service Number

Serial Number

Date of Purchase

Dealer's name and address

Online registration available at www.marvelrefrigeration.com

The service number and serial number can be found on the serial plate which is located inside the cabinet on the left side near the top. (See figure 1).

MARVEL	
GREENVILLE, MI 48838	
MODEL NO.	<input type="text"/>
SERVICE NO.	<input type="text" value="XXXXXXXXXXXX"/>
SERIAL NO.	<input type="text" value="XXXXXXXXXXXX"/>
HZ <input type="text"/>	VOLTS <input type="text"/>
AMPS <input type="text"/>	R134A <input type="text"/>
oz	
TEST PRESSURE 140 PSI LOW SIDE 300 PSI HIGH SIDE	

Figure 1



WARNING

WARNING - Help Prevent Tragedies

Child entrapment and suffocation are not problems of the past. Junked or abandoned refrigerators are still dangerous - even if they sit out for "just a few hours".

If you are getting rid of your old refrigerator, please follow the instructions below to help prevent accidents.

Before you throw away your old refrigerator or freezer:

- Take off the doors or remove the drawers.
- Leave the shelves in place so children may not easily climb inside.

INSTALLING YOUR APPLIANCE

Select Location

The proper location will ensure peak performance of your appliance. We recommend a location where the unit will be out of direct sunlight and away from heat sources. To ensure your product performs to specifications, the recommended installation location temperature range is from 55 to 115°F (13 to 46°C).

Cabinet Clearance

Ventilation is required from the bottom front of the appliance. Keep this area open and clear of any obstructions. Adjacent cabinets and counter top can be installed around the appliance as long as the front grille remains unobstructed.

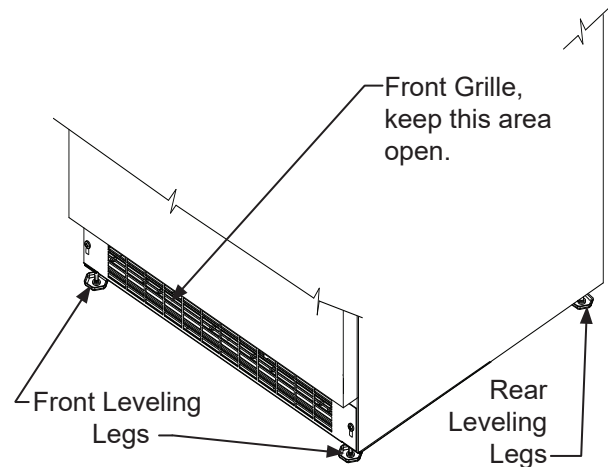


Figure 2

Leveling Legs

Adjustable legs at the front and rear corners of the appliance should be set so the unit is firmly positioned on the floor and level from side to side and front to back. The overall height of your Marvel appliance may be adjusted between the minimum, 33 $\frac{3}{4}$ " (85.7 cm), by turning the leveling leg in (CW ↻) and the maximum, 34 $\frac{3}{4}$ " (88.3 cm) by turning the leveling leg out (CCW ↻).

To adjust the leveling legs, place the appliance on a solid surface and protect the floor beneath the legs to avoid scratching the floor. With the assistance of another person, lean the appliance back to access the front leveling legs. Raise or lower the legs to the required dimension by turning the legs. Repeat this process for the rear by tilting the appliance forward using caution. On a level surface check the appliance for levelness and adjust accordingly.

The front grille screws may be loosened and the grille adjusted to the desired height. When adjustment is complete tighten the two front grille screws. (See Figure 5).



CAUTION

Front Grille

Do not obstruct the front grille. The openings within the front grille allow air to flow through the condenser heat exchanger. Restrictions to this air flow will result in increased energy usage and loss of cooling capacity. For this reason it is important this area not be obstructed and the grille openings kept clean. Marvel does not recommend the use of a custom made grille as air flow may be restricted. (See Figure 2).

INSTALLING YOUR APPLIANCE

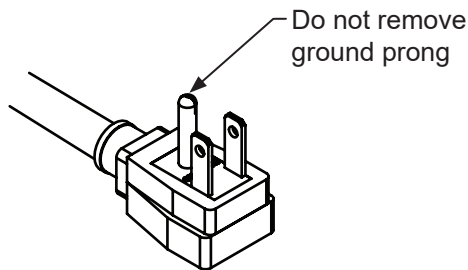


Figure 3

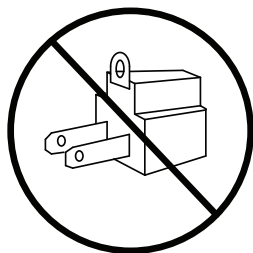


Figure 4

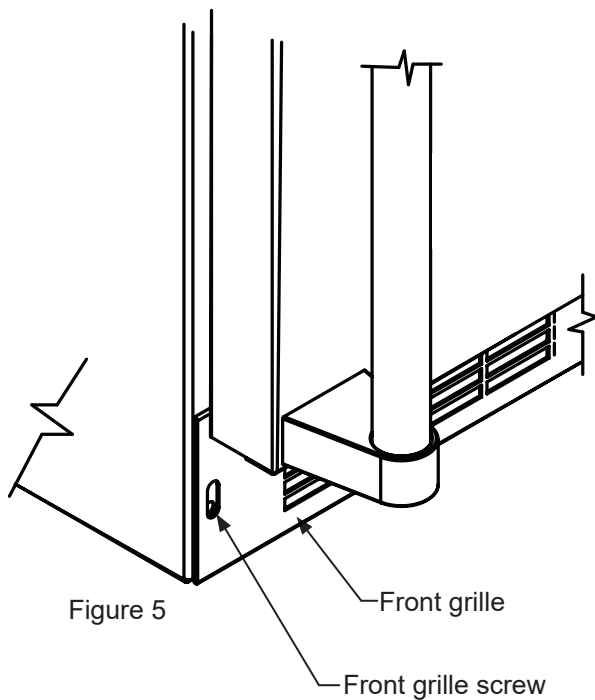


Figure 5

WARNING

Electrical Shock Hazard

- Do not use an extension cord with this appliance. They can be hazardous and can degrade product performance.
- This appliance should not, under any circumstances, be installed to an un-grounded electrical supply.
- Do not remove the grounding prong from the power cord. (See Figure 3).
- Do not use an adapter. (See Figure 4).
- Do not splash or spray water from a hose on the appliance. Doing so may cause an electrical shock, which may result in severe injury or death.

Electrical Connection

A grounded 115 volt, 15 amp dedicated circuit is required.

This product is factory equipped with a power supply cord that has a three-pronged, grounded plug. It must be plugged into a mating grounding type receptacle in accordance with the National Electrical Code and applicable local codes and ordinances (see Figure 6). If the circuit does not have a grounding type receptacle, it is the responsibility and obligation of the customer to provide the proper power supply. The third ground prong should not, under any circumstances, be cut or removed.

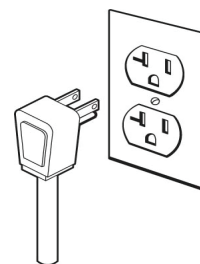



Figure 6

NOTE

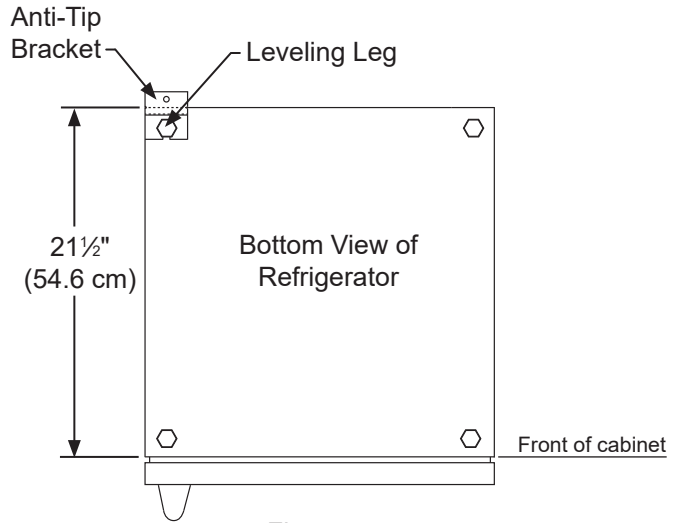
Ground Fault Circuit Interrupters (GFCI) are prone to nuisance tripping which will cause the appliance to shut down. GFCI's are generally not used on circuits with power equipment that must run unattended for long periods of time, unless required to meet local building codes and ordinances.

INSTALLING THE ANTI TIP DEVICE FOR FREESTANDING INSTALLATIONS

!
WARNING



- ALL APPLIANCES CAN TIP RESULTING IN INJURY.
- INSTALL THE ANTI-TIP BRACKET PACKED WITH THE APPLIANCE.
- FOLLOW THE INSTRUCTIONS BELOW



Anti-Tip Device

!
WARNING

If your refrigerator is not located under a counter top (free standing), you must use an anti-tip device installed as per these instructions. If the refrigerator is removed from its location for any reason, make sure that the device is properly engaged with the anti-tip bracket when you push the refrigerator back into the original location. If the device is not properly engaged, there is a risk of the refrigerator tipping over, with the potential for property damage or personal injury.

Step by step instructions for locating the position of the bracket:

1) Decide where you want to place the refrigerator. Slide it into place, being careful not to damage the floor, leaving 1" (2.5 cm) of clearance from the rear wall to allow room for the anti-tip bracket.

2) Raise the rear leveling legs approximately 1/4" (6 mm) to allow engagement with the anti-tip bracket. Level the unit by adjusting all the leveling legs as required. Turning the leveling leg counterclockwise will raise the unit and clockwise will lower the unit.

3) Make sure the refrigerator is in the desired location, then mark on the floor the rear and side corner of the cabinet where the anti-tip bracket will be installed. If the installation does not allow marking the rear corner of the cabinet, then make temporary lines on the floor marking the front corner of the cabinet, excluding the door. Slide the refrigerator out of the way. From the temporary line extend the sidewall line back 21 1/2" (54.6 cm) as shown in Figure 8.

4) Align the anti-tip bracket to the marks on the floor so the side of the bracket lines up with the side of the cabinet mark, and the "V" notches on the anti-tip bracket line up with the end of the 21 1/2" (54.6 cm) line (Rear of cabinet line).

5) Fasten the anti-tip bracket to the floor using the supplied screw. (See Figure 8).

6) Slide the cabinet back into position, making sure the rear cabinet leveling leg slides under the anti-tip bracket engaging the slot.

NOTE

If installing on a concrete floor, concrete fasteners are required, (not included with the anti-tip kit).

!
CAUTION

Any finished flooring should be protected with appropriate material to avoid damage when moving the unit.

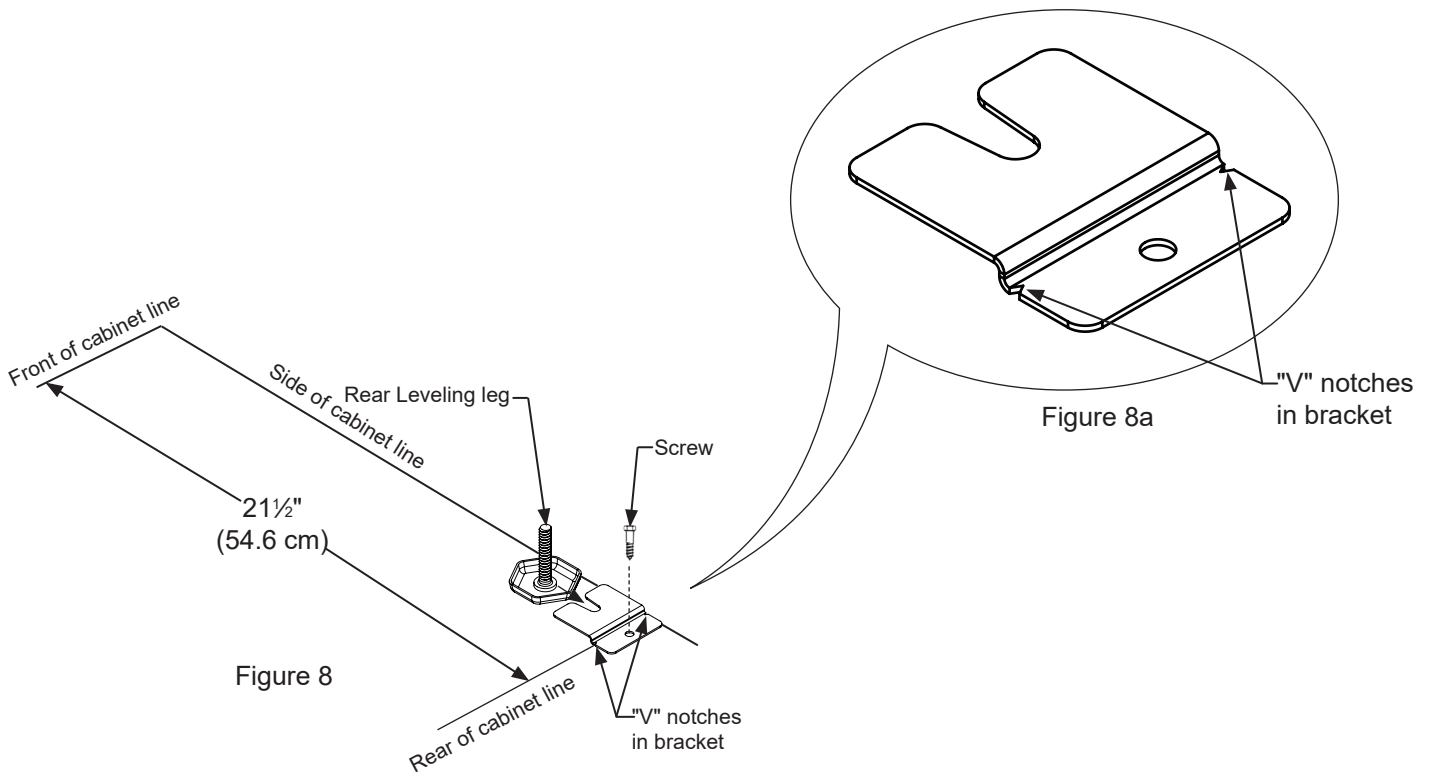
Floor Mount Installation

The anti-tip bracket is to be located on the floor in the left or right rear corner of the refrigerator as shown in Figure 7.

INSTALLING THE ANTI TIP DEVICE FOR FREESTANDING INSTALLATIONS

NOTE

When the floor mounted anti-tip bracket is used the minimum adjusted height of the cabinet is increased by $\frac{3}{8}$ " (9 mm).



PRODUCT DIMENSIONS

MODEL	ROUGH-IN OPENING DIMENSIONS			CABINET DIMENSIONS					
	"A"	"B"	"C"	"D"	"E"	"F"	"G"	"H"	"J"
MO15RAS	15" (38.1 cm)	**34" to 35" (86.4 to 88.9 cm)	*	14 ⁷ / ₈ " (37.8 cm)	33 ³ / ₄ " to 34 ³ / ₄ " (85.7 to 88.3 cm)	23 ²³ / ₃₂ " (60.2 cm)	26 ⁷ / ₃₂ " (66.6 cm)	37 ¹³ / ₃₂ " (95 cm)	17 ¹ / ₄ " (43.8 cm)
MO24RAS	24" (61 cm)	**34" to 35" (86.4 to 88.9 cm)	*	23 ⁷ / ₈ " (60.7 cm)	33 ³ / ₄ " to 34 ³ / ₄ " (85.7 to 88.3 cm)	23 ²³ / ₃₂ " (60.2 cm)	26 ⁷ / ₃₂ " (66.6 cm)	46 ¹³ / ₃₂ " (117.9 cm)	26 ¹ / ₄ " (66.7 cm)

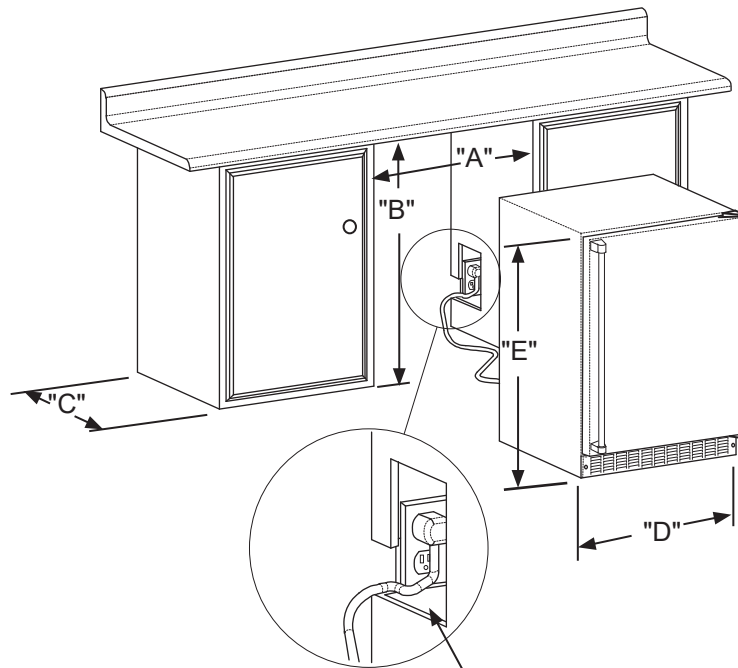


Figure 9

Figure 9a

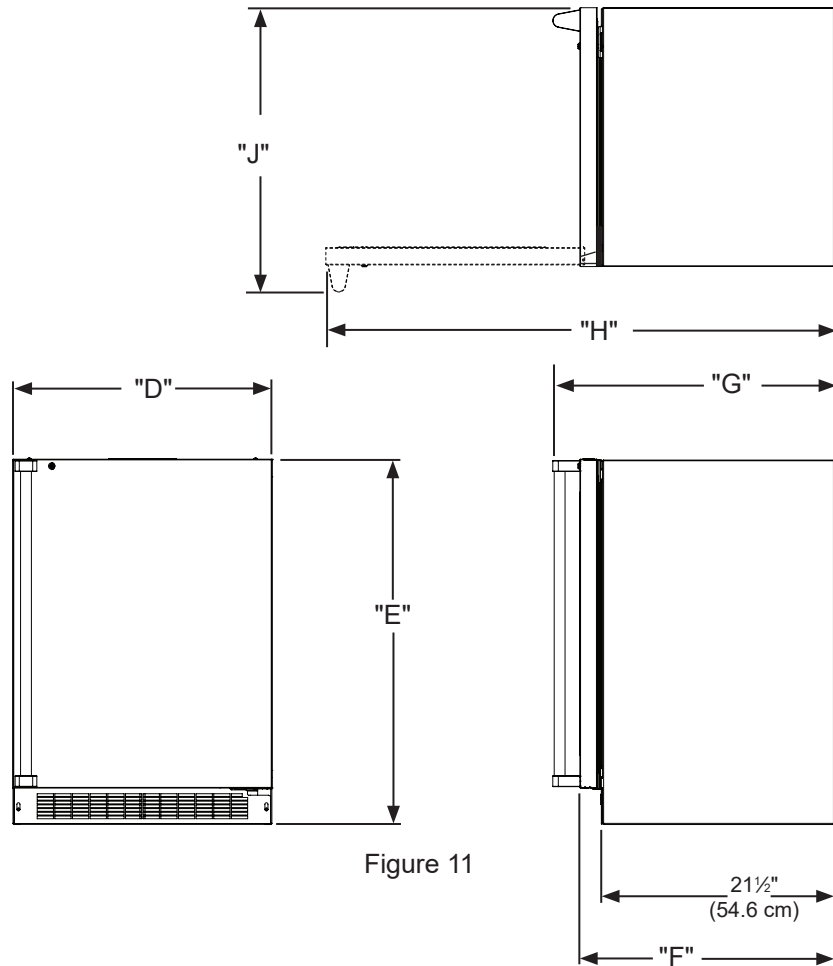


Figure 10

If necessary to gain clearance inside the rough-in opening a hole can be cut through the adjacent cabinet and the power cord routed through this hole to a power outlet. Another way to increase the available opening depth is to recess the power outlet into the rear wall to gain the thickness of the power cord plug. Not all recessed outlet boxes will work for this application as they are too narrow, but a recessed outlet box equivalent to Arlington #DVFR1W is recommended for this application, (see Figure 10).

PRODUCT DIMENSIONS

PRODUCT DATA		
MODEL	ELECTRICAL REQUIREMENTS #	PRODUCT WEIGHT
MO15RAS	115V/60Hz/15A	105 lbs (47.7 kg)
MO24RAS	115V/60Hz/15A	140 lbs (63.6 kg)



* Depth dimension of rough-in opening may vary depending on each individual installation. To recess entire door "F" dimension plus 1" (2.5 cm) for thickness of power cord plug is required.

** Minimum rough-in opening required is to be larger than the adjusted height of the cabinet.

A grounded 15 amp dedicated circuit is required. Follow all local building codes when installing electrical and appliance.

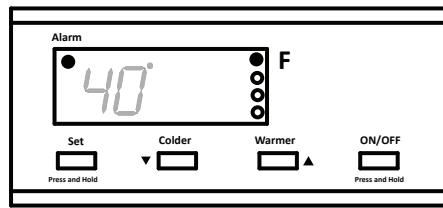


WARNING

Floor mount Anti-tip Bracket must be installed for freestanding applications. Not required for built in applications.

USING YOUR ELECTRONIC CONTROL

Figure 12
close-up of
control



Starting your refrigerator

Plug the refrigerator power cord into a wall outlet. Your refrigerator will begin cooling after power is applied. If your refrigerator does not start, check that the refrigerator is turned on and the set temperature is cold enough.

Turning your refrigerator ON or OFF

If the refrigerator is on, the refrigerator temperature will be shown on the display. To turn the refrigerator off, press and hold the "ON/OFF" button for three (3) seconds. "OFF" will appear on the display.

If the refrigerator is not on, "OFF" will be shown on the display. To turn the refrigerator on, press and hold the "ON/OFF" button for three (3) seconds. The refrigerator temperature will be shown on the display.

Set temperature

To set the refrigerator temperature, press and hold the "SET" button. When the "SET" button is pressed, the display will show the set temperature. While holding the "SET" button, press the "WARMER" or "COLDER" buttons to adjust set temperature.

Refrigerator operation

The available temperature range of the refrigerator is 34° to 42°F (1° to 6° C).

It may take up to 24 hours for your refrigerator to reach desired temperature. This will depend on amount of content loaded and number of door opening and closings.

For best results allow refrigerator to "pull down" to desired set temperature before loading. Once contents are loaded, allow at least 48 hours for temperature to stabilize before making any adjustments to the set temperature.

Alarms

Your electronic control will monitor refrigerator function and alert you with a series of audible and visual alarms.



• **Door Ajar Alarm:** If the door has been left open for over five (5) minutes, the alarm will sound in one (1) second intervals. The display panel will flash "do" and the Alarm LED located at the top left of the display below the word "Alarm" will be illuminated. This will stop as soon as the door is closed.

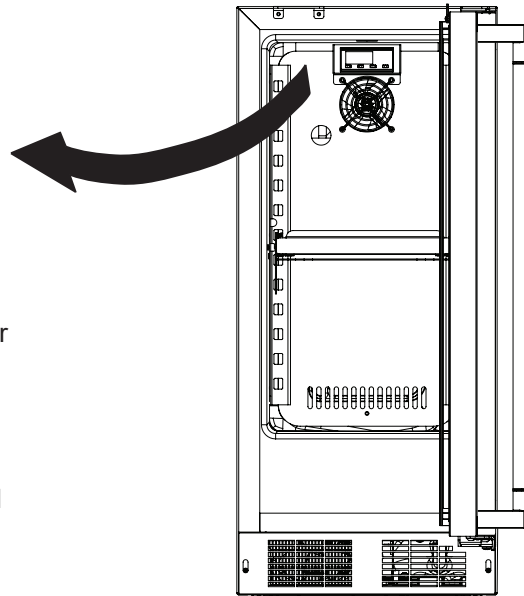


Figure 13
MO15RA shown



• **Temperature Sensor Fault:** If the controller detects that the temperature sensor is not properly functioning, a temperature sensor alarm will sound in one (1) second intervals. "E1" will flash on the display panel and the Alarm LED located at the top left of the display below the word "Alarm" will be illuminated. Please call Marvel Customer Service or your dealer if this error code is displayed.



• **High and Low Temperature Alarm:** If the storage compartment temperature deviates excessively from the set-point temperature, the alarm will sound in (1) second intervals. The display panel will flash either "Hi" or "Lo" depending upon the condition and the Alarm LED light at the top left of the display below the word "Alarm" will be illuminated. The alarm will remain active until the condition is corrected.

NOTE

After a high temperature alarm condition, check all perishables to ensure they are safe for consumption.

NOTE

The temperature alarm may occur as a result of high usage or introduction of warm contents to the storage compartment. If the temperature alarm continues to occur, your unit may require service.

SHELVING CONFIGURATIONS

Alarm Mute

Press any key to mute the audible portion of an alarm.

NOTE

This action will only mute the alarm. If the condition that caused the alarm continues, the alarm code will continue to flash and will sound for 20 seconds every 60 minutes.

Refrigerator:

24" (61 cm) Wide Models:

With a solid door. Figure 16.

(2) perforated metal cantilever shelves.
(See Figure 17).

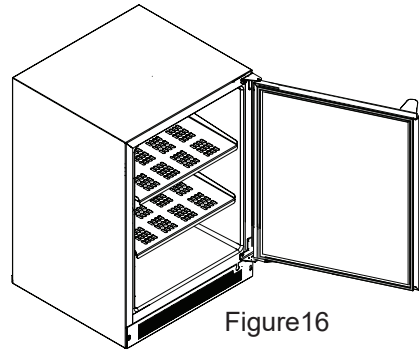


Figure 16

Loading Tips and Suggestions

Your appliance is equipped with a cantilever shelf system which provides maximum adjust ability and customizing of the shelving arrangements listed below.

Refrigerator:

15" (38.1 cm) Wide Models:

With a solid door. Figure 14.

(2) perforated stainless steel slide out shelves.
(See Figure 15).

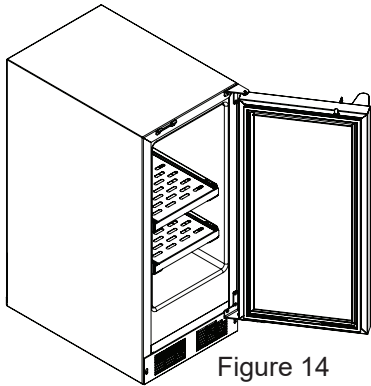


Figure 14

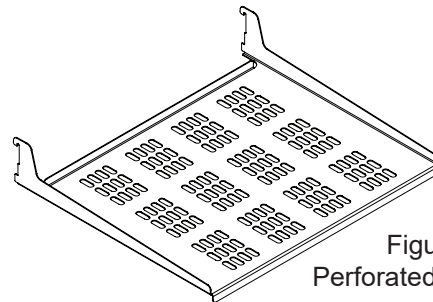


Figure 17
Perforated metal shelf

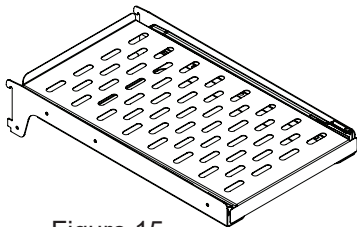


Figure 15
perforated slide
out shelf

SHELVING CONFIGURATIONS

Refrigerator:

24" (61 cm) Wide Models:

With a solid door and door racks. Figure 18.

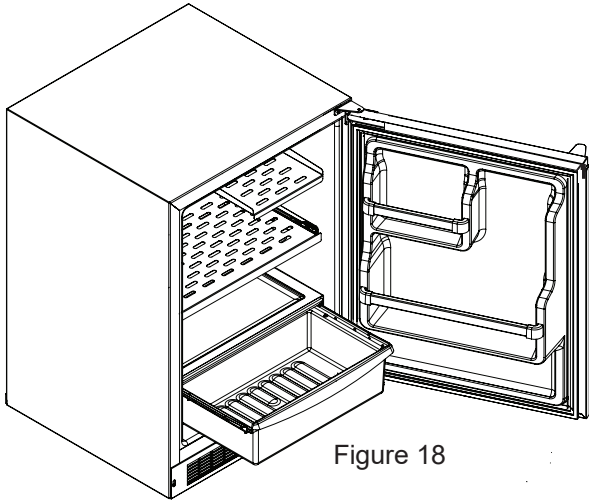


Figure 18

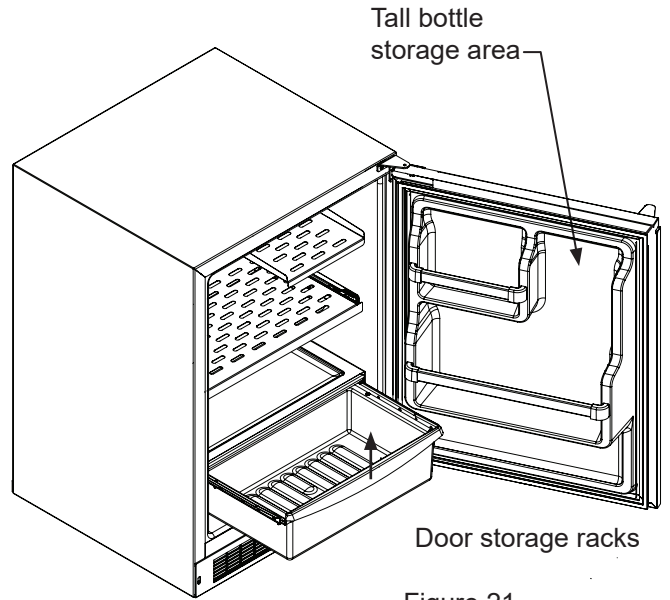


Figure 21

- (1) half width perforated stainless steel cantilever shelf.
(See Figure 19).
- (1) perforated stainless steel slide out shelf
(See Figure 20)..
- (1) frame and flat glass crisper cover.
- (1) roll-out crisper pan.
- (1) full width door storage rack.
- (1) half width door storage rack.

To remove the crisper :

Pull out until it stops. Lift up on the front of the pan, and remove it from the frame.

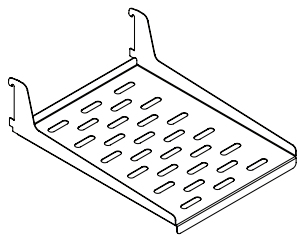


Figure 19
perforated
metal shelf

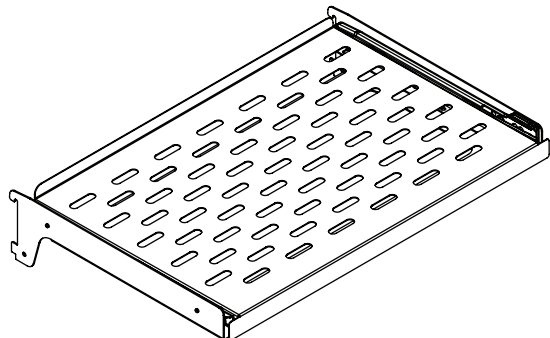


Figure 20
perforated slide out shelf

SHELVING CONFIGURATIONS



CAUTION

Never try to move a loaded shelf, remove everything from the shelf before moving. Use both hands when moving the shelf.

To Add or Remove a Shelf

Remove stored product from the shelf. Do not try to remove a loaded shelf from the appliance. Grasp the shelf front with both hands, rotate the front upward and lift out. (See Figure 22). To install a shelf insert the shelf in the appliance and insert the top hooks into the shelf support slots and drop the shelf down so the hooks drop over the bottom of the slots.



CAUTION

Make sure your cantilever shelf is secure on the shelf supports by pressing down on the shelf before loading.

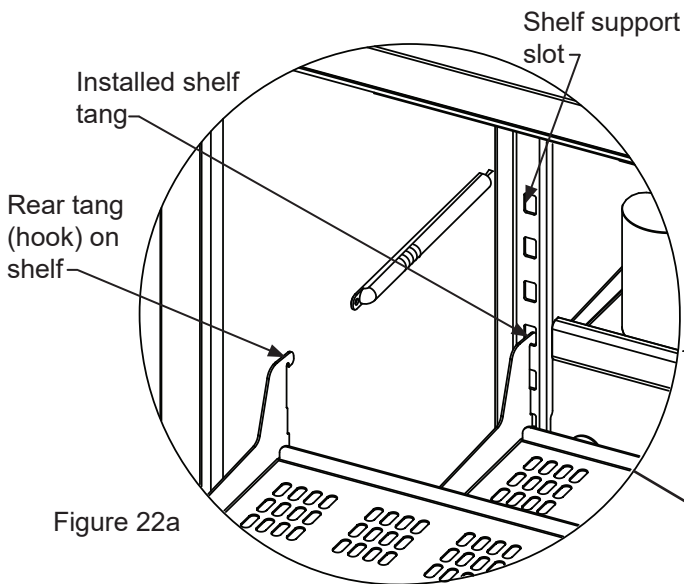


Figure 22a

Grasp the shelf by the front with both hands and rotate the front of the shelf up, then lift the shelf up and remove the shelf from the shelf ladders.

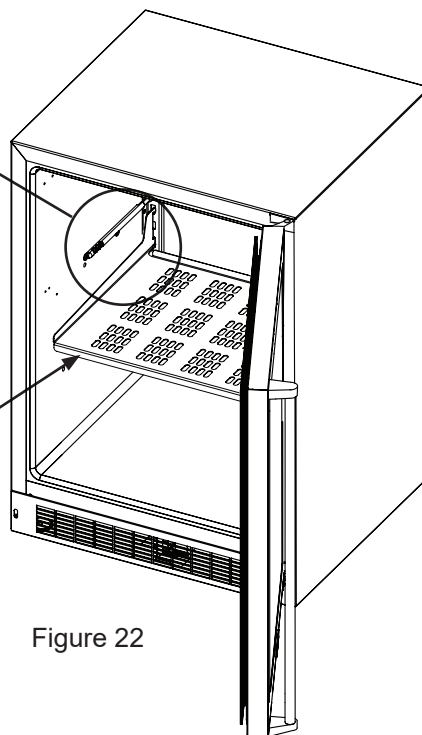


Figure 22

CARE AND CLEANING

Front Grille

Be sure that nothing obstructs the required air flow openings in front of the cabinet. At least once or twice a year, brush or vacuum lint and dirt from the front grille area (see page 4).



CAUTION

SHOCK HAZARD: Disconnect electrical power from the appliance before cleaning with soap and water.

Cabinet

The stainless steel cabinet can be washed with either a mild soap and water and thoroughly rinsed with clear water. See "Stainless Steel Maintenance" on page 16.

Interior

Wash interior compartment with mild soap and water. Do NOT use an abrasive cleaner, solvent, polish cleaner or undiluted detergent.

Care of Appliance

1. Avoid leaning on the door, you may bend the door hinges or tip the appliance.
2. Exercise caution when sweeping, vacuuming or mopping near the front of the appliance. Damage to the grille can occur.
3. Periodically clean the interior of the appliance as needed.

In the Event of a Power Failure

If a power failure occurs, try to correct it as soon as possible. Minimize the number of door openings while the power is off so as not to adversely affect the appliance's temperature.

Light assembly replacement

All models use LED lamps to illuminate the interior of the appliance. This component is very reliable, but should one fail, contact a qualified service technician for replacement of the LED.



WARNING

Electrocution Hazard

- Never attempt to repair or perform maintenance on the appliance until the main electrical power has been disconnected. Turning the appliance control "OFF" does not remove electrical power from the unit's wiring.
- Replace all parts and panels before operating.

CARE AND CLEANING

Outdoor Product Long-Term Storage / Winterization:

1. Time to Winterize, when the daily low ambient temperature is at or below 38°F (3.3°C).



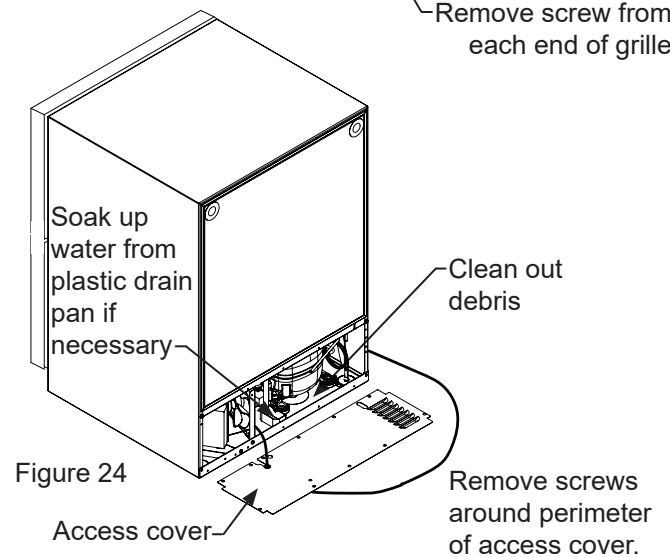
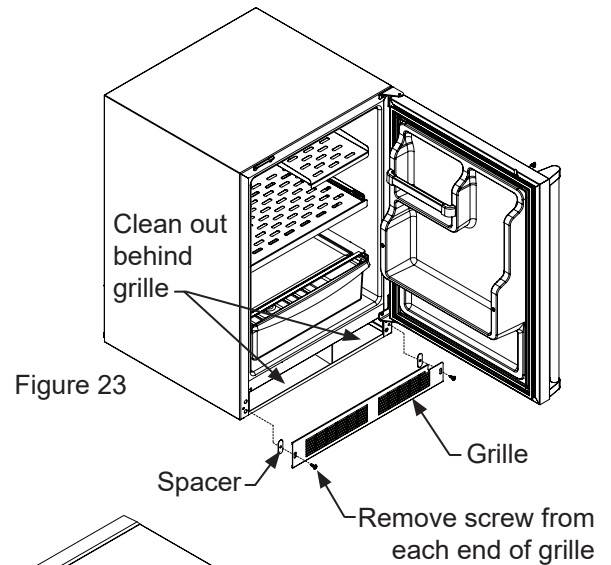
CAUTION

Operation of the unit at ambient temperatures below the recommended Winterization temperature will void your warranty.

2. Turn unit off, (see page 10)
3. Remove all contents.
4. If necessary, move the unit so you can gain access to the rear of the product.
5. Unplug the unit from the power outlet.
6. It is also recommended that the power to the outlet be turned-off if the circuit is not required for other items during the Winter season.
7. When cleaning unit pay particular attention to any cracks and crevices that may have accumulated dirt and debris.
8. Remove the front toe-grille, (see Figure 23), and use a brush and vacuum to clean dirt and debris from beneath the unit.
9. Thoroughly clean the toe-grille and re-install on the unit. (See Figure 23).
10. Remove the rear access cover, (see Figure 24), and use a brush and vacuum to clean dirt and debris from the machine compartment.
 - If the plastic defrost drain pan located under the compressor contains water, use a sponge to remove as much water as possible.
11. Thoroughly clean the rear access cover and re-install on the unit.
12. Wipe down all interior surfaces with anti-bacterial cleaner to be followed with clean rinse water to remove any residual chemicals which could cause staining. Do not use any abrasive cleaners or scouring pads.
13. Leave the door open and allow to completely dry out before closing the door.
14. Thoroughly clean the door gasket with anti-bacterial cleaner to be followed with clean rinse water to remove any residual chemicals.
15. Thoroughly clean the exterior with a cleaner approved for stainless steel. Do not use any abrasive cleaners or scouring pads. See "Stainless Steel Maintenance" on page 16.
16. Any mounting hardware / fasteners that are showing signs of corrosion should be replaced.
17. Once the exterior has been thoroughly cleaned, you may want to apply a coating of car wax to help protect against spotting from moisture, dirt, and debris that may accumulate on the surfaces during the Winterization period.

18. Do not place a cover on the unit, as this can trap condensation.

After completion of the above, you may choose to store the unit indoors, although this is not required.



Start-Up After Long-Term Storage:

1. If stored outside, it is recommended that the unit again be thoroughly inspected per the storage instructions above to address any dirt or debris from the weather and/or animals/insects.
2. Connect the unit to electrical power.
3. Turn unit on and confirm your desired control settings.
4. Allow 24-hrs for the unit to stabilize before loading contents.

STAINLESS STEEL MAINTENANCE AND ENERGY SAVING TIPS

Background

Stainless steel does not stain, corrode, or rust as easily as ordinary steel, but it is not stain or corrosion proof. Stainless steels can discolor or corrode if not maintained properly.

Stainless steels differ from ordinary carbon steels by the amount of chromium present. It is this chromium that provides an invisible protective film on the surface called chrome-oxide. This protective chrome-oxide film on the surface can be damaged or contaminated, which may result in discoloration, staining, or corrosion of the base metal.

Care & Cleaning

Routine cleaning of the stainless steel surfaces will serve to greatly extend the life of your product by removing contaminants. This is especially important in coastal areas which can expose the stainless to severe contaminants such as halide salts, (sodium chloride).

It is strongly recommended to periodically inspect and thoroughly clean crevices, weld points, under gaskets, rivets, bolt heads, and any locations where small amounts of liquid could collect, become stagnant, and concentrate contaminants. Additionally, any mounting hardware that is showing signs of corrosion should be replaced.

Frequency of cleaning will depend upon the installation location, environmental, and usage conditions.

Choosing a Cleaning Product

The choice of a proper cleaning product is ultimately that of the consumer, and there are many products from which to choose. Depending upon the type of cleaning and the degree of contamination, some products are better than others.

Typically the most effective and efficient means for routine cleaning of most stainless steel products is to give the surfaces a brisk rubbing with a soft cloth soaked in warm water and a gentle detergent, or mild mixture of ammonia. Rubbing should, to the extent possible, follow the polish lines of the steel, and always insure thorough rinsing after cleaning.

Although some products are called "stainless steel cleaners," some may contain abrasives which could scratch the surface, (compromising the protective chrome-oxide film), and some many contain chlorine bleach which will dull, tarnish or discolor the surface if not completely removed.

After the stainless surfaces have been thoroughly cleaned, a good quality car wax may be applied to help maintain the finish.

NOTE

Stainless steel products should never be installed, or stored in close proximity to chlorine chemicals.

Whichever cleaning product you chose, it should be used in strict accordance with the instructions of the cleaner manufacturer.

Energy saving tips:

The following suggestions will minimize the cost of operating your refrigeration appliance.

1. Do not install your appliance next to a hot appliance (cooker, dishwasher, etc.), heating air duct, or other heat sources.
2. Install product out of direct sunlight.
3. Ensure the front grille vents at front of appliance beneath door are not obstructed and kept clean to allow ventilation for the refrigeration system to expel heat.
4. Plug your appliance into a dedicated power circuit. (Not shared with other appliances).
5. When initially loading your new product, or whenever large quantities of warm contents are placed within refrigerated storage compartment, minimize door openings for the next 12 hours to allow contents to pull down to compartment set temperature.
6. Maintaining a relatively full storage compartment will require less appliance run time than an empty compartment.
7. Ensure door closing is not obstructed by contents stored in your appliance.
8. Allow hot items to reach room temperature before placing in product.
9. Minimize door openings and duration of door openings.
10. Use the warmest temperature control set temperature that meets your personal preference and provides the proper storage for your stored contents.
11. When on vacation or away from home for extended periods, set the appliance to warmest acceptable temperature for the stored contents.
12. Set the control to the "off" position if cleaning the appliance requires the door to be open for an extended period of time.

OBTAINING SERVICE

If Service is Required:

- If the product is within the first year warranty period please contact your dealer or call Marvel Customer Service at 800.223.3900 for directions on how to obtain warranty coverage in your area.
- If the product is outside the first year warranty period, Marvel Customer Service can provide recommendations of service centers in your area. A listing of authorized service centers is also available at www.marvelrefrigeration.com under the service and support section.
- In all correspondence regarding service, be sure to give the service number, serial number, and proof of purchase.
- Try to have information or description of nature of the problem, how long the appliance has been running, the room temperature, and any additional information that may be helpful in quickly solving the problem.
- Table "A" is provided for recording pertinent information regarding your product for future reference.

For Your Records	
Date of Purchase	
Dealer's name	
Dealer's Address	
Dealer's City	
Dealer's State	
Dealer's Zip Code	
Appliance Serial Number	
Appliance Service Number	
Date Warranty Card Sent (Must be within 10 days of purchase).	

Table A

TROUBLESHOOTING

Before You Call for Service

If the appliance appears to be malfunctioning, read through this manual first. If the problem persists, check the troubleshooting guide below. Locate the problem in the guide and refer to the cause and its remedy before calling for service. The problem may be something very simple that can be solved without a service call. However, it may be required to contact your dealer or a qualified service technician.



In the unlikely event you lose cooling in your unit, **do not unplug the product from the electric supply**, but do call a qualified service technician immediately. It is possible that the loss of cooling capacity is a result of excessive frost build-up on the evaporator cooling coil. In this case, removing power to the unit will result in the melting of this excessive quantity of ice, which could generate melt water that exceeds the capacity of the defrost drain system and could result in water damage to your home. The end-user will be ultimately responsible for any water damage caused by prematurely turning the unit off without appropriately managing the excess water run-off.



Electrocution Hazard

- Never attempt to repair or perform maintenance on the appliance until the main electrical power has been disconnected. Turning the appliance control "OFF" does not remove electrical power from the unit's wiring.
- Replace all parts and panels before operating.

Problem	Possible Cause	Remedy
Appliance not cold enough (See "Adjusting the temperature" on page 10)	<ul style="list-style-type: none"> • Control set too warm • Content temperature not stabilized. 	<ul style="list-style-type: none"> • Adjust temperature colder. Allow 24 hours for temperature to stabilize.
	<ul style="list-style-type: none"> • Excessive usage or prolonged door openings. 	<ul style="list-style-type: none"> • Allow temperature to stabilize for at least 24 hours.
	<ul style="list-style-type: none"> • Airflow to front grille blocked. 	<ul style="list-style-type: none"> • Airflow must not be obstructed to front grille. See "clearances" on page 4.
	<ul style="list-style-type: none"> • Door gasket not sealing properly. 	<ul style="list-style-type: none"> • Replace door gasket.
Appliance too cold (See "Adjusting the Temperature" on page 10)	<ul style="list-style-type: none"> • Control set too cold 	<ul style="list-style-type: none"> • Adjust temperature warmer. Allow 24 hours for temperature to stabilize.
	<ul style="list-style-type: none"> • Door gasket not sealing properly. 	<ul style="list-style-type: none"> • Replace door gasket.
No interior light.	<ul style="list-style-type: none"> • Failed LED light assembly or light switch. 	<ul style="list-style-type: none"> • Contact a qualified service technician.
Light will not go out when door is closed	<ul style="list-style-type: none"> • Display light is turned on. (Glass door models only.) 	<ul style="list-style-type: none"> • Turn off display light, shut door.
	<ul style="list-style-type: none"> • Door not activating light switch. 	<ul style="list-style-type: none"> • Appliance not level, level appliance, (See page 4, "leveling legs")
	<ul style="list-style-type: none"> • Failed light switch 	<ul style="list-style-type: none"> • Contact a qualified service technician.
Noise or Vibration	<ul style="list-style-type: none"> • Appliance not level 	<ul style="list-style-type: none"> • Level appliance, see "Leveling Legs" on page 4.
	<ul style="list-style-type: none"> • Fan hitting tube obstruction. 	<ul style="list-style-type: none"> • Contact a qualified service technician.
Appliance will not run.	<ul style="list-style-type: none"> • Appliance turned off 	<ul style="list-style-type: none"> • Turn appliance on. See "Starting your appliance" on page 10.
	<ul style="list-style-type: none"> • Power cord not plugged in. 	<ul style="list-style-type: none"> • Plug in power cord.
	<ul style="list-style-type: none"> • No power at outlet. 	<ul style="list-style-type: none"> • Check house circuit.

HOUSEHOLD PRODUCT WARRANTY

Marvel Refrigeration (Marvel) Limited Warranty

ONE YEAR LIMITED PARTS & LABOR WARRANTY

For one year from the date of original purchase, this warranty covers all parts and labor to repair or replace any part of the product that proves to be defective in materials or workmanship. For products installed and used for normal residential use, material cosmetic defects are included in this warranty, with coverage limited to 60 days from the date of original purchase. All service provided by Marvel under the above warranty must be performed by a Marvel factory authorized servicer, unless otherwise specified by Marvel. Service provided during normal business hours.

TWO YEAR LIMITED PARTS & LABOR WARRANTY (MARVEL PROFESSIONAL PRODUCTS)

For two years from the date of original purchase, this warranty covers all parts and labor to repair or replace any part of the product that proves to be defective in materials or workmanship. For products installed and used for normal residential use, material cosmetic defects are included in this warranty, with coverage limited to 60 days from the date of original purchase. All service provided by Marvel under the above warranty must be performed by a Marvel factory authorized servicer, unless otherwise specified by Marvel. Service provided during normal business hours.

AVAILABLE THIRD YEAR LIMITED WARRANTY (MARVEL PROFESSIONAL PRODUCTS)

For designated Marvel Professional product, Marvel offers a one year extension of the two year warranty coverage from the date of purchase, free of charge. To take advantage of this third year warranty, you must register your product with Marvel within 60 days from the date of purchase at marvelrefrigeration.com and provide proof of purchase.

LIMITED FIVE YEAR SEALED SYSTEM WARRANTY

For five years from the date of original purchase, Marvel will repair or replace the following parts, labor not included, that prove to be defective in materials or workmanship: compressor, condenser, evaporator, drier, and all connecting tubing. All service provided by Marvel under the above warranty must be performed by a Marvel factory authorized servicer, unless otherwise specified by Marvel. Service provided during normal business hours.

WARRANTY TERMS

These warranties apply only to products installed in any one of the fifty states of the United States, the District of Columbia, or the ten provinces of Canada. The warranties do not cover any parts or labor to correct any defect caused by negligence, accident or improper use, maintenance, installation, service, repair, acts of God, fire, flood or other natural disasters. The product must be installed, operated, and maintained in accordance with the Marvel User Guide.

The remedies described above for each warranty are the only ones that Marvel will provide, either under these warranties or under any warranty arising by operation of law. Marvel will not be responsible for any consequential or incidental damages arising from the breach of these warranties or any other warranty, whether express, implied, or statutory. Some states do not allow the exclusion or limitation of incidental or consequential damages, so the above limitation or exclusion may not apply to you. These warranties give you specific legal rights, and you may also have other rights which vary from state to state.

Any warranty that may be implied in connection with your purchase or use of the product, including any warranty of merchantability or any warranty fit for a particular purpose is limited to the duration of these warranties, and only extends to five years in duration for the parts described in the section related to the five year limited warranty above. Some states do not allow limitations on how long an implied warranty lasts, so the above limitations may not apply to you.

- The warranties only apply to the original purchaser and are non-transferable.
- These warranties cover products installed and used for normal residential use only.
- The warranties apply to units operated outside only if designed for outdoor use by model and serial number.
- Replacement water filters, light bulbs, and other consumable parts are not covered by these warranties.
- The start of Marvel's obligation is limited to four years after the shipment date from Marvel.
- In-home instruction on how to use your product is not covered by these warranties.
- Food, beverage, and medicine loss are not covered by these warranties.
- If the product is located in an area where Marvel factory authorized service is not available, you may be responsible for a trip charge or you may be required to bring the product to a Marvel factory authorized service location at your own cost and expense.
- Units purchased after use as floor displays, and/or certified reconditioned units, are covered by the limited one year warranty only and no coverage is provided for cosmetic defects.
- Signal issues related to Wi-Fi connectivity are not covered by these warranties.

For parts and service assistance, or to find Marvel factory authorized service near you, contact Marvel Refrigeration:
MarvelRefrigeration.com • techsupport@MarvelRefrigeration.com • +616.754.5601
1260 E. Van Deinse St., Greenville, MI 48838



www.marvelrefrigeration.com

Marvel Refrigeration

1260 E. VanDeinse St.
Greenville MI 48838

800.223.3900

41013895-EN Rev H
1/15/20

All specifications and product designs subject to change without notice. Such revisions do not entitle the buyer to corresponding changes, improvements, additions, replacements or compensation for previously purchased products.

EN Installation, Operation and Maintenance Instructions

FR Instructions d'installation, d'utilisation et d'entretien

Outdoor Refrigerators
Réfrigérateurs
d'extérieur

MO15RAS

MO24RAS



CONTENU

Contenu :

Informations de sécurité.....	2
Déballage de votre appareil	3
Enregistrement de la garantie	3
Installation de votre appareil	4
Dégagements par rapport à l'armoire	4
Mise à niveau de l'appareil	4
Raccordement électrique.....	5
Installation du dispositif anti-basculement.....	6
Dimensions du produit.....	8
Utilisation de votre commande électronique	10
Démarrage de votre appareil	10
Mise en marche et arrêt de votre appareil	10
Réglage de la température	10
Alertes.....	10
Configurations de étagères	11
Entretien et nettoyage	14
Entreposage de longue durée / préparation à l'hivernage	15
Entretien de l'acier inox.....	16
Conseils pour l'économie d'énergie	16
Obtention de service	17
Dépannage.....	18
Garantie.....	19

Importantes instructions de sécurité

Les avertissements et les instructions de sécurité qui apparaissent dans ce guide n'ont pas la prétention de couvrir toutes les conditions et situations possibles pouvant arriver. Il faut faire preuve de bon sens, de précautions et de soins, pour installer, utiliser ou entretenir cet appareil.

Reconnaissance des symboles, des mots et des étiquettes concernant la sécurité.



AVERTISSEMENT

AVERTISSEMENT - Risque possible de décès ou de blessure grave si vous ne suivez pas les instructions.



ATTENTION

ATTENTION - Risques ou pratiques dangereuses pouvant entraîner des blessures individuelles, des dégâts matériels ou des dommages au produit.

REMARQUE

REMARQUE - Information importante pour réaliser une installation et une utilisation sans problèmes.



AVERTISSEMENT

Avertissements de la proposition 65 de l'État de Californie
: Ce produit contient au moins un produit chimique connu par l'État de Californie pour être à l'origine de cancers.



AVERTISSEMENT

Avertissements de la proposition 65 de l'État de Californie
: Ce produit contient au moins un produit chimique connu par l'État de Californie pour être à l'origine de malformations et autres déficiences de naissance.

DÉBALLAGE DE VOTRE APPAREIL



AVERTISSEMENT

AVERTISSEMENT RISQUE DE POIDS EXCESSIF

Utilisez deux personnes ou plus pour déplacer le produit.
Sinon vous pourriez vous blesser.

Enlèvement de l'emballage intérieur

Votre réfrigérateur a été emballé pour l'expédition avec toutes les pièces pouvant être endommagées par le mouvement solidement attachées. Enlevez les matériaux d'emballage intérieur et toute bande maintenant des composants intérieurs en place. Le manuel de l'utilisateur est envoyé à l'intérieur de l'appareil dans un sac en plastique, accompagné de la carte d'enregistrement de la garantie, et d'autres articles accessoires.

Important

Conservez votre carton d'emballage jusqu'à ce que votre réfrigérateur ait été complètement inspecté et trouvé en bon état. S'il présentait des dommages, cet emballage serait nécessaire comme preuve qu'ils sont survenus durant le transit. Ensuite veuillez mettre tous ces matériaux d'emballage au rebut d'une façon responsable.



AVERTISSEMENT

AVERTISSEMENT - Jetez bien les sacs en plastique qui représentent un risque de suffocation.

Note pour le client

Cette marchandise a été soigneusement et complètement inspectée avant de quitter notre usine. La responsabilité pour sa livraison sûre a été assumée par le revendeur à l'acceptation de cette expédition. Les réclamations pour perte ou dommages survenus durant le transit sont à adresser au revendeur.

REMARQUE

NE RENVOYEZ PAS DE MARCHANDISE ENDOMMAGÉE AU FABRICANT – DÉPOSEZ UNE RÉCLAMATION AUPRÈS DU REVENDEUR.



ATTENTION

Si l'appareil a été livré, manipulé ou entreposé dans une position autre que debout, pendant une durée quelconque, laissez-le reposer debout pendant au moins 24 heures avant de la brancher électriquement. Cela assurera le retour de l'huile au compresseur. Un branchement immédiat de l'appareil pourrait endommager des parties internes.

Enregistrement de la garantie

Il est important que vous postiez votre carte de garantie immédiatement après avoir pris livraison de votre réfrigérateur.

Les informations suivantes seront nécessaires au moment de l'enregistrement de votre appareil :
Numéro de service
Numéro de série
Date d'achat
Nom et adresse du revendeur

Enregistrement en ligne
disponible sur
www.marvelrefrigeration.com

Le numéro de service et le numéro de série se trouvent sur la plaque signalétique qui est située à l'intérieur de l'armoire, du côté gauche près du haut (Voyez la figure 1).

MARVEL	
GREENVILLE, MI 48838	
MODEL NO.	<input type="text"/>
SERVICE NO.	<input type="text" value="XXXXXXXXXXXX"/>
SERIAL NO.	<input type="text" value="XXXXXXXXXXXX"/>
HZ <input type="text"/>	VOLTS <input type="text"/>
AMPS <input type="text"/>	R134A <input type="text"/>
oz <input type="text"/>	
TEST PRESSURE 140 PSI LOW SIDE 300 PSI HIGH SIDE	

Figure 1



AVERTISSEMENT

AVERTISSEMENT - Contribuez à éviter des tragédies

L'emprisonnement d'enfants et leur asphyxie ne sont pas des problèmes du passé. Des épaves de réfrigérateurs abandonnés continuent de présenter un danger - même en restant dehors pour «juste quelques heures».

Si vous devez vous débarrasser de votre vieil appareil de refroidissement, veuillez suivre ces instructions pour aider à éviter des accidents possibles.

Avant de jeter votre vieux réfrigérateur ou congélateur :

- Démontez ses portes ou enlevez ses tiroirs.
- Laissez les étagères en place de façon à ce que des enfants ne puissent pas facilement monter dedans.

INSTALLATION DE VOTRE APPAREIL

Choix de l'emplacement

Un bon emplacement assurera une performance de pointe pour votre appareil. Nous recommandons un endroit où l'appareil ne sera pas exposé directement au rayonnement solaire et restera écarté de sources de chauffage. Pour assurer que les performances de votre produit soient au niveau de ses spécifications, la plage de températures recommandée au lieu d'installation sera de 55 à 115°F (13 à 46°C).

Dégagements par rapport à l'armoire

Une ventilation est nécessaire depuis la section frontale du bas de l'armoire. Gardez cette zone libre et exempte de toutes obstructions. Des meubles et comptoirs peuvent être installés autour de l'unité de façon adjacente dans la mesure où sa grille frontale restera non obstruée.

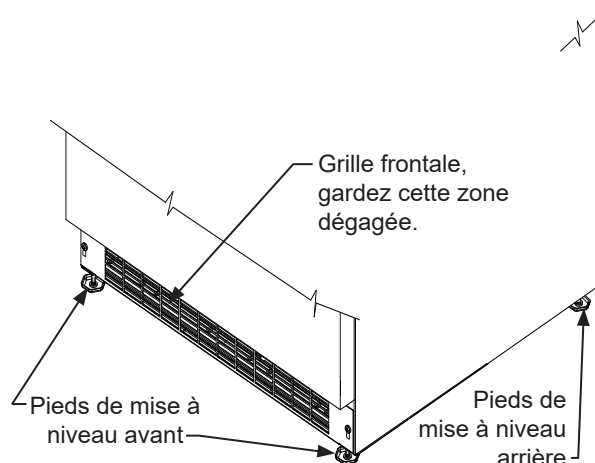


Figure 2

Pieds de mise à niveau

Des pieds réglables aux angles avant et arrière de l'armoire doivent être ajustés pour qu'elle soit fermement positionnée au sol et bien d'aplomb, d'un côté à l'autre et d'avant en arrière. La hauteur totale de votre appareil Marvel peut être ajustée entre le minimum 33¼ po (85,7 cm) (en vissant les pieds de mise à niveau CW ↻) et le maximum 34¾ po (88,3 cm) (en dévissant les pieds de mise à niveau CCW ↻) des.

Pour régler ces pieds de mise à niveau, placez l'appareil sur une surface solide, en protégeant le sol en dessous pour ne pas le rayer. Avec l'aide d'une autre personne, inclinez vers l'arrière de l'appareil pour accéder aux pieds de mise à niveau de l'avant. Levez ou abaissez ces pieds à la hauteur requise en les tournant. Répétez la procédure pour les pieds arrière en inclinant le cave à vin vers l'avant en faisant attention. Sur une surface plane, vérifiez le niveau de l'appareil et ajustez les pieds en conséquence.

Les vis de la grille frontale peuvent être desserrées et la grille ajustée à la hauteur voulue. Quand le réglage est fait resserrez les vis de la grille frontale (Voyez la Figure 5).



ATTENTION

Grille frontale

N'obstruez pas la grille frontale. Les ouvertures au travers de la grille frontale permettent l'écoulement de l'air par l'échangeur thermique du condenseur. Des restrictions de ce flux d'air vont augmenter la consommation d'énergie et affecter sa capacité de refroidissement. C'est pourquoi il est important que cette zone ne soit pas obstruée et soit maintenue propre. Marvel recommande de ne pas utiliser de grilles personnalisées, car l'écoulement d'air en serait diminué (Voyez la Figure 2).

INSTALLATION DE VOTRE APPAREIL

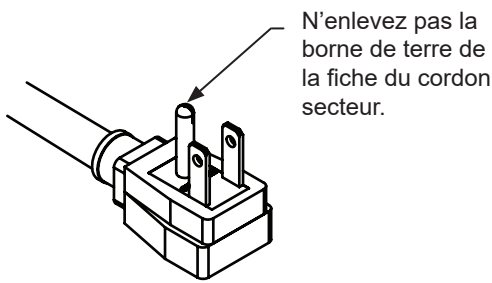


Figure 3

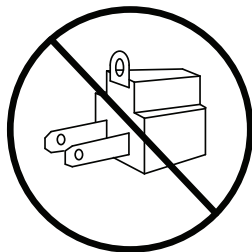


Figure 4



AVERTISSEMENT

Risque de commotion électrique

- N'utilisez pas de rallonge secteur avec cet appareil. Cela peut être dangereux et peut affecter la performance du produit.
- Cet appareil ne doit sous aucun prétexte être installé sur une alimentation électrique sans liaison de terre.
- N'enlevez pas la borne de terre de la fiche du cordon secteur. (Voyez la Figure 3).
- N'utilisez pas d'adaptateur entre fiche et prise. (Voyez la Figure 4).
- N'envoyez pas d'eau par éclaboussure ou par jet d'un tuyau sur l'appareil. Cela pourrait causer une commotion électrique, entraînant potentiellement des blessures graves voire mortelles.

Raccordement électrique

Un circuit secteur dédié en 115 V supportant 15 A est nécessaire.

Ce produit est équipé en usine d'un cordon secteur comportant une fiche avec terre à trois broches. Il faut la brancher dans une prise secteur correspondante avec terre, en conformité avec la norme électrique américaine et les normes et réglementations locales applicables (Voyez la Figure 6). Si le circuit ne comporte pas une prise avec terre, le client doit en fournir une adéquate; c'est sa responsabilité et son obligation. La troisième broche de terre ne doit en aucun cas être coupée ou enlevée.

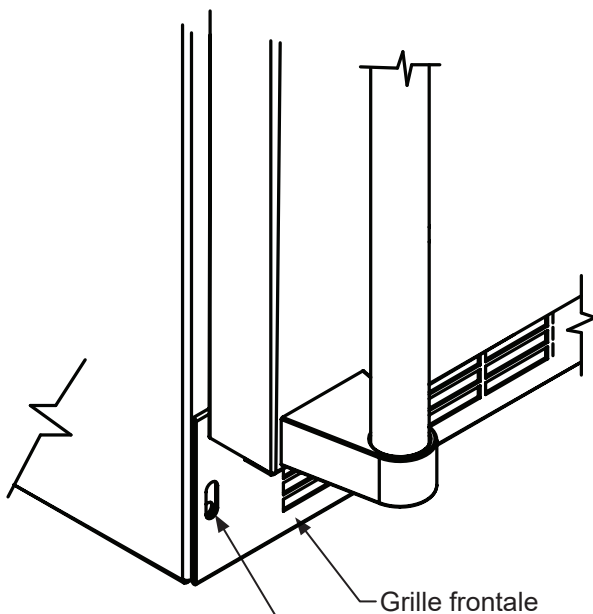


Figure 5

Grille frontale

Vis de grille frontale

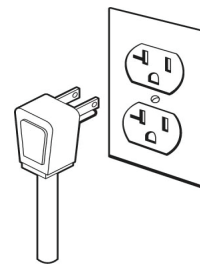


Figure 6

REMARQUE

Un disjoncteur sur détection de courant de fuite (GFCI) a tendance à provoquer des déclenchements intempestifs qui peuvent arrêter l'appareil. Ce type de protection n'est en général pas utilisé sur de l'équipement électrique qui doit tourner sans surveillance pendant de longues périodes, sauf si c'est imposé par les normes de construction et réglementations locales.

INSTALLATION DU DISPOSITIF ANTI-BASCULEMENT POUR DES INSTALLATIONS AUTONOMES



AVERTISSEMENT



- TOUS LES APPAREILS PEUVENT BASCULER. IL PEUT EN RÉSULTER DES BLESSURES



- INSTALLER LE DISPOSITIF ANTI-BASCULEMENT LIVRÉ AVEC L'APPAREIL
- SUIVEZ LES INSTRUCTIONS CI-DESSOUS

Dispositif anti-basculement
Pied de mise à niveau

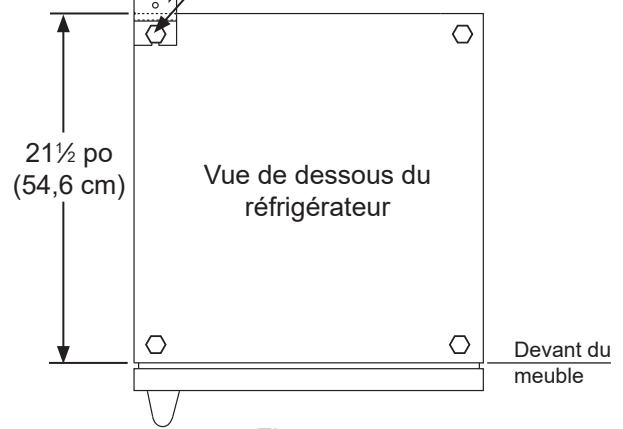


Figure 7

Dispositif anti-basculement



AVERTISSEMENT

Si votre réfrigérateur n'est pas placé sous un plan de travail (autonome), vous devez utiliser un dispositif anti-basculement placé selon les instructions qui suivent. S'il est bougé de sa position pour une quelconque raison, assurez-vous que ce dispositif est correctement engagé quand vous remettez l'appareil à sa place d'origine. Si le dispositif n'est pas convenablement engagé, il y a un risque que le réfrigérateur bascule avec la possibilité de dégâts matériels ou de blessures corporelles.

REMARQUE

En cas d'installation sur un sol en béton, des chevilles pour béton sont nécessaires (non fournies avec le kit anti-basculement).



ATTENTION

Toute finition de sol doit être protégée avec une matière appropriée pour éviter de l'endommager en bougeant l'appareil.

Installation avec montage au sol

La ferrure anti-basculement doit être placée sur le sol à l'angle de droite ou de gauche de l'arrière du réfrigérateur, comme c'est montré en Figure 7.

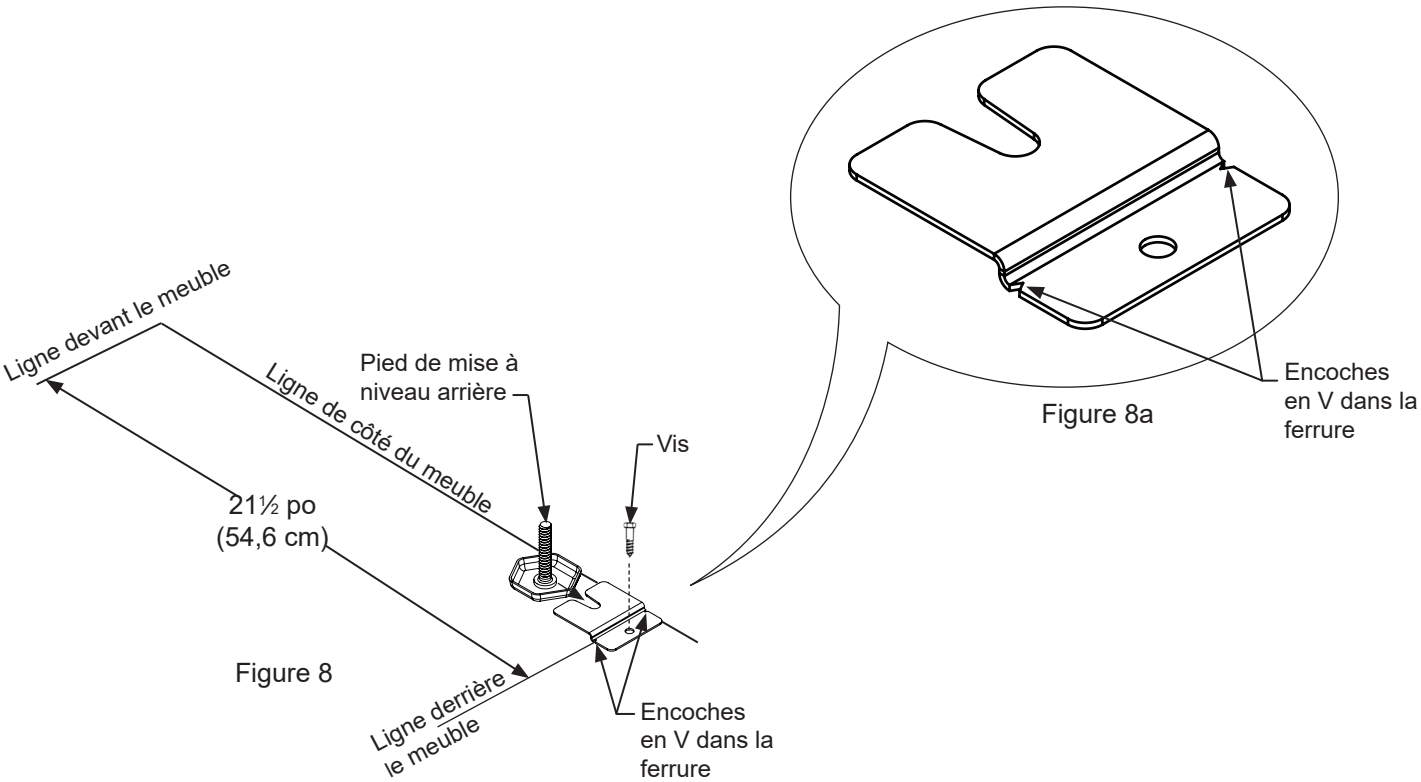
Instructions pas à pas pour définir la position de la ferrure :

- 1) Décidez de l'endroit où vous désirez placer le réfrigérateur. Glissez-le en place, en faisant attention de ne pas endommager le sol, en laissant 1 po (2,5 cm) de dégagement depuis le mur arrière pour laisser de la place pour la ferrure anti-basculement.
- 2) Soulevez les pieds de mise à niveau arrière d'environ $\frac{1}{4}$ po (6 mm) pour permettre l'engagement dans la ferrure anti-basculement. Mettez de niveau l'ensemble en ajustant les pieds de mise à niveau selon le besoin. Le fait de tourner ces pieds en sens antihoraire soulève l'appareil, et l'abaisse en les tournant en sens horaire.
- 3) Assurez-vous que le réfrigérateur est bien à la place voulue, puis marquez sa position sur le sol correspondant à l'arrière et l'angle de côté du meuble où la ferrure anti-basculement sera installée. Si l'installation ne permet pas le marquage à l'angle arrière du meuble, tracez des lignes temporaires au sol en repérant l'endroit de l'angle avant du meuble, sans tenir compte de la porte. Glissez le réfrigérateur hors de cet emplacement. Depuis la ligne temporaire prolongez la ligne de côté vers l'arrière de $21\frac{1}{2}$ po (54,6 cm) comme c'est montré en Figure 8.
- 4) Alignez la ferrure anti-basculement avec les marquages au sol de façon à ce que son bord soit aligné avec la ligne de côté du meuble, et que ses encoches en «V» soient alignées avec la fin de la ligne tracée de $21\frac{1}{2}$ po (54,6 cm) (Ligne à l'arrière de l'armoire).
- 5) Fixez la ferrure anti-basculement au sol en utilisant la vis fournie (Voyez la Figure 8).
- 6) Glissez le meuble pour le remettre en place, en vous assurant que le pied de mise à niveau se glisse sous la ferrure anti-basculement en engageant la fente.

INSTALLATION DU DISPOSITIF ANTI-BASCULEMENT POUR DES INSTALLATIONS AUTONOMES

REMARQUE

Quand la ferrure anti-basculement fixée au sol est utilisée, la hauteur minimale ajustée de l'armoire est augmentée de $\frac{3}{8}$ po (9 mm).



DIMENSIONS DU PRODUIT

MODÈLE	DIMENSIONS D'OUVERTURE BRUTE			DIMENSIONS D'ARMOIRE					
	«A»	«B»	«C»	«D»	«E»	«F»	«G»	«H»	«J»
MO15RAS	15 po (38,1 cm)	**34 po to 35 po (86,4 to 88,9 cm)	*	14 ⁷ / ₈ po (37,8 cm)	33 ³ / ₄ po to 34 ³ / ₄ po (85,7 to 88,3 cm)	23 ²³ / ₃₂ po (60,2 cm)	26 ⁷ / ₃₂ po (66,6 cm)	37 ¹³ / ₃₂ po (95 cm)	17 ¹ / ₄ po (43,8 cm)
MO24RAS	24 po (61 cm)	**34 po to 35 po (86,4 to 88,9 cm)	*	23 ⁷ / ₈ po (60,7 cm)	33 ³ / ₄ po to 34 ³ / ₄ po (85,7 to 88,3 cm)	23 ²³ / ₃₂ po (60,2 cm)	26 ⁷ / ₃₂ po (66,6 cm)	46 ¹³ / ₃₂ po (117,9 cm)	26 ¹ / ₄ po (66,7 cm)

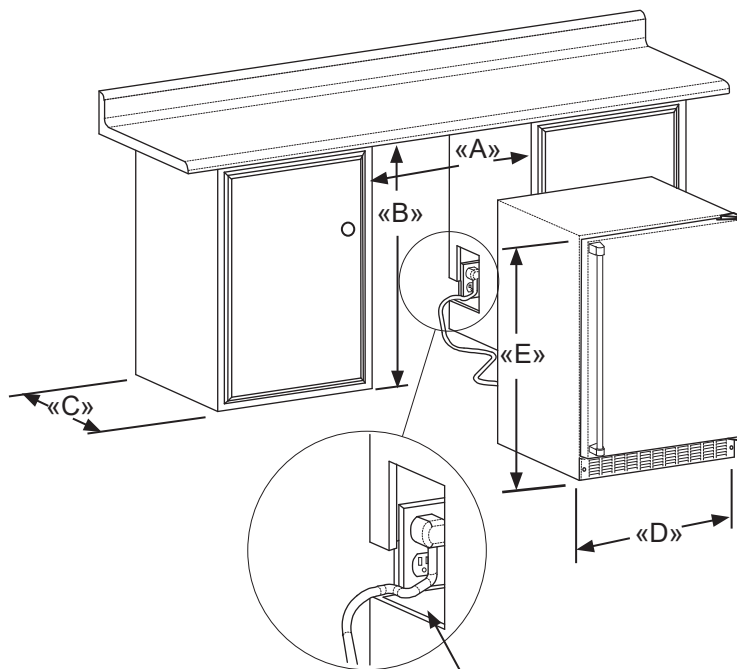


Figure 9

Figure 9a

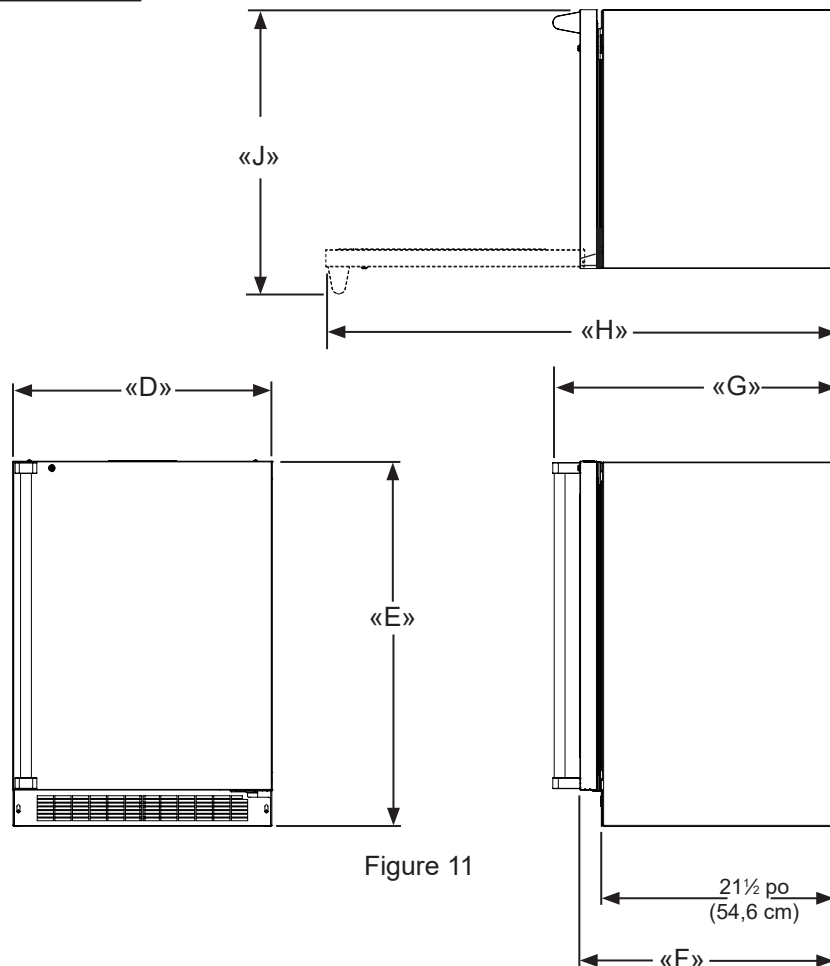


Figure 10

S'il est nécessaire de gagner du dégagement à l'intérieur de l'ouverture brute, un trou peut être percé au travers du meuble adjacent et le cordon d'alimentation passé par ce trou jusqu'à une prise secteur. Une autre façon d'augmenter la profondeur disponible dans l'ouverture est d'encaster la prise secteur dans le mur arrière afin de gagner l'épaisseur de la fiche du cordon. Tous les types de prises secteur encastrées ne fonctionneront pas pour cette application car elles pourraient être trop étroites, mais un modèle équivalent à l'Arlington #DVFR1W est recommandé pour cette application (Voyez la Figure 10).

DIMENSIONS DU PRODUIT

DONNÉES DE PRODUIT		
MODÈLE	BESOINS ÉLECTRIQUES #	POIDS DU PRODUIT
MO15RAS	115V/60Hz/15A	105 lb (47.7 kg)
MO24RAS	115V/60Hz/15A	140 lb (63.6 kg)



* La dimension en profondeur de l'ouverture brute peut varier selon chaque installation individuelle. Pour ne pas faire dépasser toute la porte, la dimension «F» plus 1 po (2,5 cm) pour l'épaisseur de la fiche du cordon secteur est nécessaire.

** L'ouverture brute minimale nécessaire doit être supérieure à la hauteur ajustée de l'armoire.

Un circuit secteur dédié avec liaison de terre supportant 15 A est nécessaire. Appliquez toutes les normes de construction locales à l'installation de l'électricité et de l'appareil.

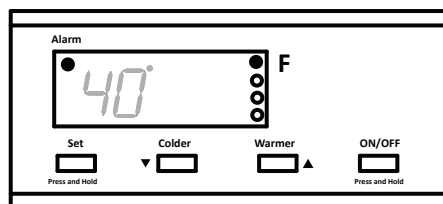


AVERTISSEMENT

La ferrure anti-basculement doit être installée pour des applications autonomes. Non nécessaire pour des applications intégrées.

UTILISATION DE VOTRE COMMANDE ÉLECTRONIQUE

Figure 12
Vue rapprochée
du contrôle



Démarrage de votre réfrigérateur

Branchez la prise du cordon d'alimentation du réfrigérateur dans une prise murale. Votre réfrigérateur commencera à refroidir une fois qu'il est sous tension. Si votre réfrigérateur ne démarre pas, vérifiez qu'il est bien en marche (ON) et que la consigne de température est suffisamment basse.

Mise en marche et à l'arrêt de votre réfrigérateur

Si votre réfrigérateur est en marche, sa température sera montrée sur l'afficheur. Pour arrêter le réfrigérateur, appuyez sur le bouton "ON/OFF" en le maintenant enfoncé pendant trois (3) secondes. "OFF" va apparaître à l'affichage.

Si votre réfrigérateur n'est pas en marche, "OFF" sera montré sur l'afficheur. Pour activer le réfrigérateur, appuyez sur le bouton "ON/OFF" en le maintenant enfoncé pendant trois (3) secondes. La température du réfrigérateur sera montrée à l'affichage.

Fixation de consigne de température

Pour fixer la consigne de température du réfrigérateur, appuyez sur le bouton "SET" en le maintenant enfoncé. Quand ce bouton est enfoncé, c'est la température de consigne qui est affichée. En maintenant le bouton "SET" appuyé, appuyez sur le bouton "WARMER" ou "COLDER" pour ajuster la consigne de température.

Fonctionnement du réfrigérateur

La plage de températures disponible pour cet appareil de refroidissement va de 34 à 42°F (1 à 6°C).

Il peut falloir jusqu'à 24 heures pour que votre réfrigérateur atteigne la température voulue. Cela dépendra de la quantité chargée dedans, et du nombre d'ouvertures et de fermetures de sa porte.

Pour obtenir les meilleurs résultats, laissez l'appareil descendre à la température de consigne avant de le charger. Une fois le contenu chargé, laissez la température se stabiliser au moins 48 heures avant de procéder à tout ajustement du point de consigne.

Alertes

Votre commande électronique va surveiller le fonctionnement du réfrigérateur et vous prévenir éventuellement avec une série d'alertes sonores et visuelles.



• **Alerte sur porte restée ouverte** : Si la porte est laissée ouverte pour plus de cinq (5) minutes, cette alerte retentit avec des intervalles d'une (1) seconde. L'indication "do" va clignoter au panneau d'affichage et le voyant d'alerte à DEL situé en haut à gauche de l'affichage, sous le mot "Alarm" sera allumé. Cela cesse dès que la porte est refermée.

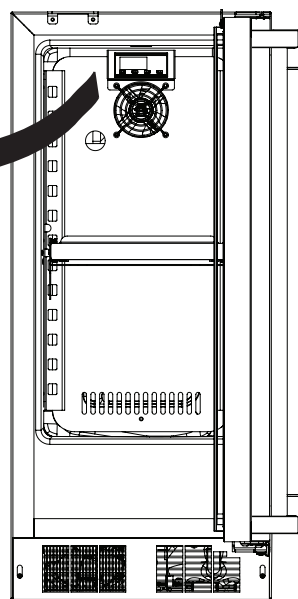


Figure 13
MO15RA



• **Défaillance du détecteur de température** : Si le contrôleur s'aperçoit que le détecteur de température ne fonctionne pas correctement, une alerte sur détecteur de température retentit. L'indication "E1" va clignoter au panneau d'affichage et le voyant d'alerte à DEL situé en haut à gauche de l'affichage, sous le mot "Alarm" sera allumé. Veuillez appeler le service à la clientèle de Marvel ou votre revendeur si ce code d'erreur est affiché.



• **Alerte sur température trop haute ou trop basse** : Si la température du compartiment de conservation dévie excessivement du point de consigne, l'alarme retentira en intervalles d'un (1) second. Le panneau d'affichage clignotera soit « HI » (haute) soit « Lo » (basse) selon la condition et le voyant d'alerte à DEL situé en haut à gauche de l'affichage, sous le mot "Alarm" sera allumé. L'alarme restera active jusqu'à ce que la condition soit corrigée.

REMARQUE

Après une condition d'alerte de température trop haute, vérifiez toutes les denrées périssables pour assurer qu'elles sont sûres pour la consommation.

REMARQUE

L'alerte de température peut survenir s'il y a une utilisation intensive, ou si des produits chauds sont chargés dans le compartiment de conservation. Si l'alerte de température continue à se produire, votre appareil peut exiger le service.

CONFIGURATIONS DE ÉTAGÈRES

Mise en sourdine de l'alarme

Actionnez n'importe quelle touche pour mettre en sourdine la partie audible d'une alerte.

REMARQUE

Cette action ne fera que rendre muette l'alerte. Si la condition qui a causé l'alerte persiste, le code de cette alerte va continuer de clignoter et se manifestera malgré tout de façon sonore pendant 20 secondes toutes les 60 minutes.

Réfrigérateur :

Appareils de largeur 24 po (61 cm) :

Montré avec une porte pleine en Figure 16

(2) étagères métalliques perforées en porte-à-faux (Voyez la Figure 17).

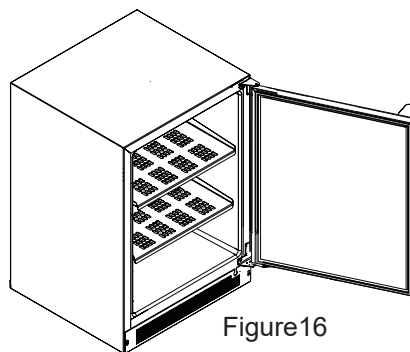


Figure 16

Conseils et suggestions pour le chargement

Votre réfrigérateur est équipé d'un système de étagères en porte-à-faux qui procure une capacité maximale d'ajustement et une personnalisation des arrangements comme c'est montré plus loin.

Réfrigérateur :

Appareils de largeur 15 po (38,1 cm) :

Montré avec une porte pleine en Figure 14

(2) clayettes coulissantes en acier inox perforé (Voir la Figure 15).

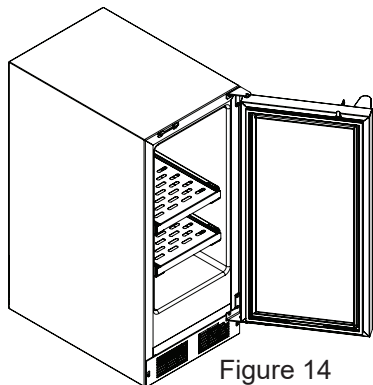


Figure 14

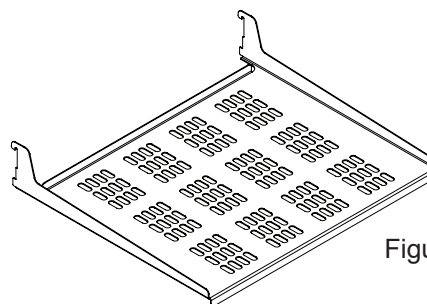


Figure 17

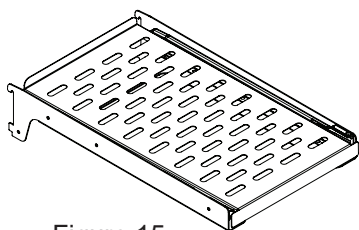


Figure 15

CONFIGURATIONS DE ÉTAGÈRES

Réfrigérateur :

Appareils de largeur 24 po (61 cm) :

Montré avec une porte pleine équipée de balconnets en Figure 18.

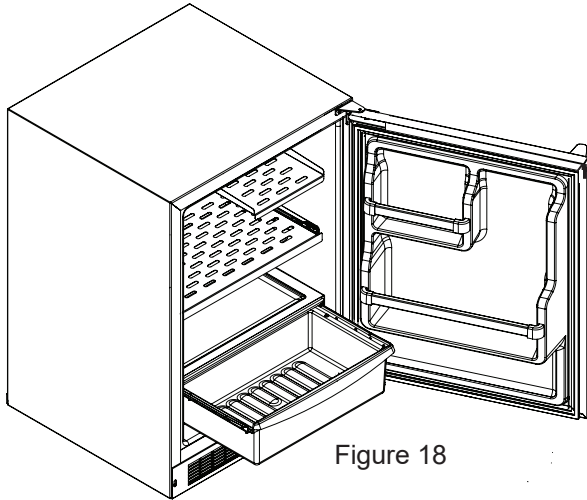


Figure 18

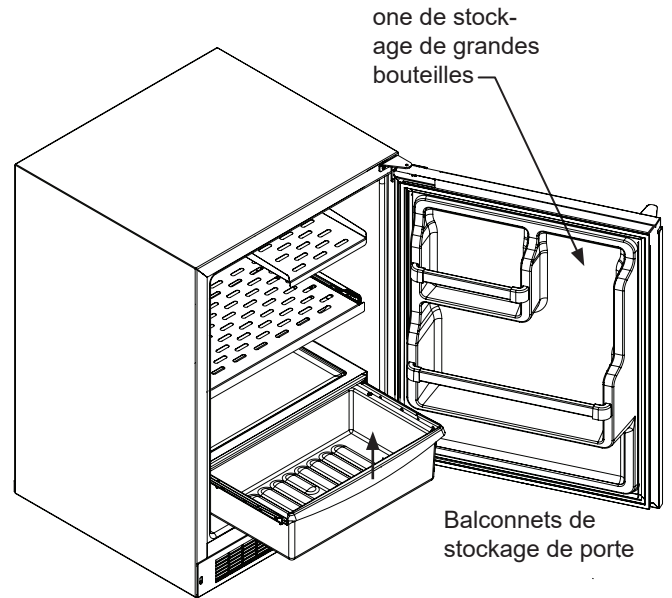


Figure 21

- (1) étagère métalliques perforées (Voir la Figure 19).
- (1) étagère coulissantes en acier inox perforé (See Figure 20).
- (1) couvercle de bac à légumes, encadrement et verre
- (1) bac à légumes coulissant
- (1) rangement de porte pleine largeur.
- (1) rangement de porte demi-largeur.

Pour ôter le bac à légumes :

Tirez-le jusqu'à ce qu'il s'arrête. Levez l'avant du bac, et dégagez-le du logement.

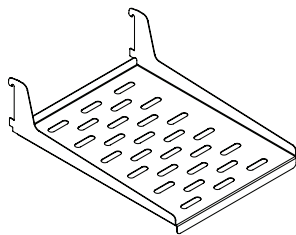


Figure 19

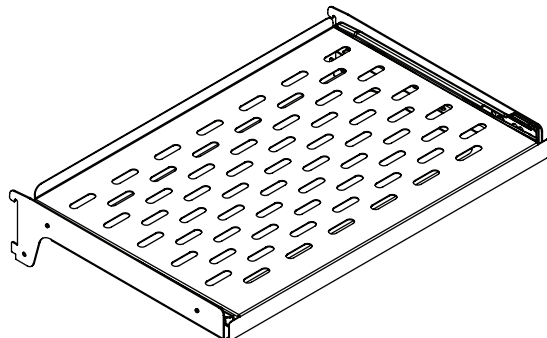


Figure 20

CONFIGURATIONS DE ÉTAGÈRES



ATTENTION

N'essayez jamais de bouger une étagère chargée, évacuez tout ce qu'elle porte avant de la déplacer. Utilisez vos deux mains pour déplacer une étagère.

Pour ajouter ou enlever une étagère

Enlevez les produits qui étaient entreposés sur la étagère. N'essayez pas d'enlever une étagère du réfrigérateur restée chargée. Prenez le devant de la étagère des deux mains, faites pivoter son avant vers le haut et enlevez-la (Voyez la Figure 22). Pour installer une étagère, insérez-la dans le réfrigérateur et mettez ses crochets dans les fentes des supports de étagère, puis laissez retomber la étagère de façon à ce que ses crochets chutent sur le bas des supports.

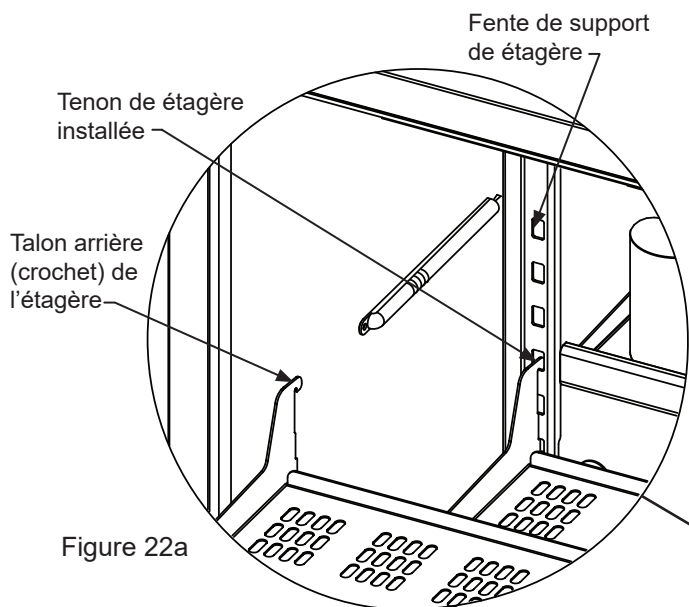


Figure 22a



ATTENTION

Assurez-vous que votre étagères en porte-à-faux est bien en place sur les supports en appuyant dessus avant de la charger.

Prenez le devant de la étagère des deux mains et faites pivoter son avant vers le haut, puis soulevez-la et dégagez-la des et enlevez-la des échelles de support.

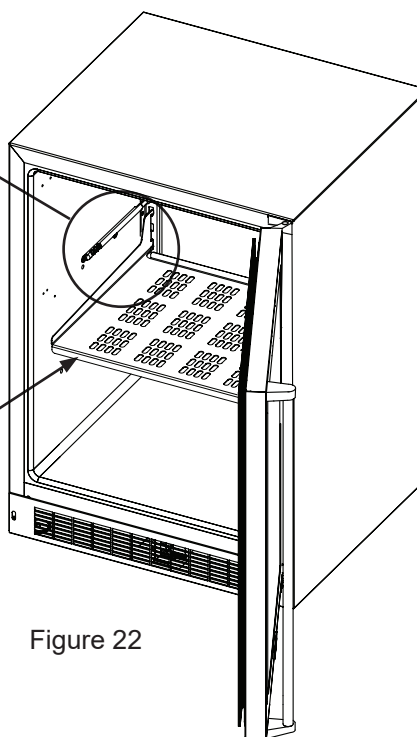


Figure 22

ENTRETIEN ET NETTOYAGE

Grille frontale

Assurez-vous que rien n'obstrue les ouvertures pour flux d'air requises à l'avant de l'armoire. Au moins une à deux fois par an, chassez par broissage ou par aspiration les peluches et les saletés dans la zone de la grille avant (Voyez en page 4).



ATTENTION

RISQUE DE COMMOTION ÉLECTRIQUE : Débranchez l'alimentation secteur de l'appareil avant de le nettoyer à l'eau savonneuse.

Armoire

L'armoire peinte peut se laver avec une solution savonneuse douce, puis soigneusement se rincer à l'eau potable. N'utilisez JAMAIS de produits nettoyants abrasifs.

Intérieur

Lavez le compartiment intérieur avec une solution savonneuse douce. N'utilisez pas de nettoyant abrasif, de solvant, de produit nettoyant/polissant ou de détergent non-dilué.

Soins pour l'appareil

1. Évitez de vous appuyer sur la porte, vous pourriez déformer ses charnières ou faire basculer l'appareil.
2. Faites attention quand vous balayez, aspirez ou passez la vadrouille près de l'avant de l'appareil. Vous pourriez endommager sa grille.
3. Nettoyez périodiquement l'intérieur de l'appareil selon le besoin.

En cas de coupure du secteur

Si une panne d'alimentation arrivait, essayez de la corriger le plus tôt possible. Minimisez le nombre d'ouvertures de porte pendant la coupure du secteur afin de ne pas affecter la température dans l'appareil.

Remplacement de l'ensemble d'éclairage

Tous les modèles utilisent de lampes à diodes électroluminescentes (DEL) pour éclairer l'intérieur de l'appareil. Ce type de composant est très fiable, mais en cas de panne contactez un technicien de service qualifié pour le remplacement de l'éclairage à DEL.



AVERTISSEMENT

Risque d'électrocution

- Ne tentez jamais de réparer ou d'exécuter de la maintenance sur l'appareil avant que son alimentation électrique n'ait été débranchée en amont. Passer l'appareil sur arrêt (OFF) n'enlève pas la présence de tension secteur sur les fils de câblage.
- Remettez en place l'ensemble des pièces et panneaux avant de redémarrer.

ENTRETIEN ET NETTOYAGE

Entreposage de longue durée / préparation à l'hivernage :

1. C'est le moment de préparer à l'hivernage quand le minimum de température ambiante descend sous les 38°F (3,3 °C)



ATTENTION

Faire fonctionner l'appareil à des températures inférieures à ce seuil d'hivernage recommanderait annulerait la garantie.

2. Arrêtez l'appareil (voir en page 10).
3. Videz tous son contenu.
4. Si nécessaire, déplacez l'appareil pour avoir accès à son arrière.
5. Débranchez l'appareil de sa prise secteur.
6. Il est également recommandé que l'alimentation de la prise secteur soit coupée en amont si elle ne doit pas servir pour d'autres appareils pendant cette période d'hivernage.
7. Pendant le nettoyage d'un ensemble faites particulièrement attention à toutes les fissures ou crevasses pouvant avoir accumulé de la saleté et des débris.
8. Enlevez la grille de protection frontale (voir les Figure 23), et utilisez une brosse et un aspirateur pour éliminer la saleté et les débris de sous l'appareil.
9. Nettoyez soigneusement cette grille de protection et réinstallez-la sur l'appareil.
10. Enlevez le couvercle d'accès arrière (voir la Figure 24), et utilisez une brosse et un aspirateur pour éliminer la saleté et les débris du compartiment de la machine.
 - Si le bac en plastique de drainage du dégivrage sous le compresseur contient de l'eau, utilisez une éponge pour en éliminer le plus possible.
11. Nettoyez soigneusement ce couvercle d'accès arrière et réinstallez-le sur l'appareil.
12. Nettoyez toutes les surfaces de l'intérieur avec un produit nettoyant antibactérien, et poursuivez par un rinçage à l'eau claire pour éliminer tous les résidus de produits chimiques qui pourraient tacher. N'utilisez pas de produits nettoyants abrasifs ni de tampons à récurer.
13. Laissez la porte ouverte et attendez le séchage complet avant de la refermer.
14. Nettoyez bien le joint de porte avec un produit nettoyant antibactérien, et poursuivez par un rinçage à l'eau claire pour éliminer tous les résidus de produits chimiques.
15. Nettoyez soigneusement l'extérieur avec un produit nettoyant approuvé pour l'acier inox. N'utilisez pas de produits nettoyants abrasifs ni de tampons à récurer. Voir «entretien de l'acier inox» page 16.
16. Tout matériel de montage ou d'attache présentant des signes de corrosion doit être remplacé.

17. Une fois l'extérieur bien nettoyé, vous pouvez désirer passer une couche de cire automobile pour protéger des taches venant d'humidité, salissures et débris pouvant s'accumuler sur les surfaces pendant la période d'hivernage.
18. Ne placez de couverture sur l'appareil, car cela pourrait emprisonner de la condensation.

Une fois que tout ce qui précède est terminé, vous pouvez décider d'entreposer l'appareil à l'intérieur, mais ce n'est pas une nécessité.

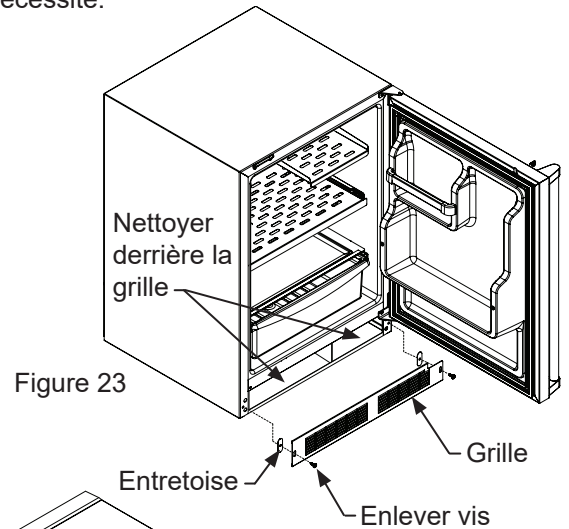


Figure 23

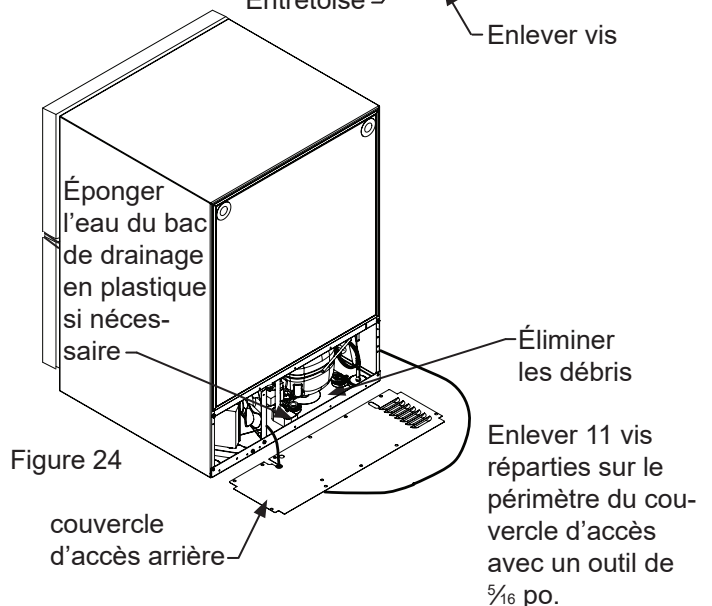


Figure 24

Redémarrage après un entreposage prolongé

1. Connectez l'appareil à l'alimentation secteur.
2. En cas d'entreposage à l'extérieur, il est recommandé que l'appareil soit de nouveau attentivement inspecté avec les instructions d'hivernage qui précèdent pour éliminer tout ce qui est salissure ou débris venant des intempéries ou des animaux/insectes éventuels.
3. Mettez l'appareil en marche et confirmez votre souhait pour les paramètres de contrôle.
4. Laissez l'appareil se stabiliser 24 heures avant de le charger.

Contexte

L'acier inox ne se décolore pas, ne se corrode pas et ne rouille pas comme l'acier ordinaire, mais il n'est pas à l'abri des taches ou corrosions. L'acier inox peut se décolorer ou se corroder s'il n'est pas entretenu correctement.

Les aciers inox diffèrent des aciers ordinaires au carbone par leur quantité de chrome présente. C'est ce chrome qui fournit un film protecteur invisible sur la surface, sous forme d'oxyde de chrome. Ce film peut être endommagé ou contaminé, ce qui entraîne décoloration, tache ou corrosion de la base métallique.

Entretien et nettoyage

Un nettoyage de routine des surfaces d'acier inox servira à prolonger notablement la durée de service de votre produit en éliminant des contaminants. C'est particulièrement important dans les zones côtières qui peuvent exposer l'acier inox à des contaminants sévères comme des sels haloïdes (chlorure de sodium).

Il est fortement recommandé d'inspecter régulièrement et de nettoyer soigneusement les fissures, points de soudure, dessous de joints, de rivets et de têtes de boulons, et toutes les zones où des petites quantités de liquide peuvent être collectées et stagner, en concentrant des contaminants. De plus tout matériel de montage présentant des signes de corrosion doit être remplacé.

La fréquence du nettoyage dépendra de l'emplacement de l'installation, de l'environnement et des conditions d'utilisation.

Choix d'un produit de nettoyage

Le choix d'un produit de nettoyage approprié est au gré du consommateur, et il existe de nombreux produits parmi lesquels choisir. Selon le type de nettoyage et le degré de contamination, certains produits sont meilleurs que d'autres.

En général le moyen le plus efficace pour du nettoyage de routine de la plupart des produits en acier inox est un bon passage au chiffon doux trempé dans une solution d'eau tiède et de détergent doux, ou d'eau faiblement ammoniacquée. Le frottement doit dans la mesure du possible suivre les veines de polissage de l'acier, et il faut toujours procéder à un rinçage après le nettoyage.

Bien que certains produits soient nommés "nettoyants pour acier inox", ils peuvent contenir des abrasifs susceptibles d'écrocher la surface (en compromettant son film protecteur d'oxyde de chrome),

Une fois que les surfaces en acier inox ont été soigneusement nettoyées, une cire automobile de bonne qualité peut

y être appliquée pour maintenir la finition.

REMARQUE

Les produits en acier inox ne doivent jamais être installés ou entreposés à proximité de produits chimiques à base de chlore.

Quelque soit votre choix du produit de nettoyage, il doit être utilisé en conformité stricte avec les instructions de son fabricant.

Les suggestions suivantes vont minimiser le coût de fonctionnement de votre appareil de refroidissement.

1. N'installez pas votre appareil près d'un autre appareil chaud (cuisinière, lave-vaisselle, etc.), d'une conduite d'air chaud, ou d'autres sources de chaleur.
2. Placez l'appareil à l'abri du rayonnement solaire direct.
3. Assurez-vous que les événements de la grille devant l'unité au-dessus de la porte ne sont pas obstrués et maintenus propres de façon à permettre une ventilation du système de refroidissement et chasser la chaleur.
4. Branchez votre appareil sur un circuit d'alimentation secteur dédié (Sans partage avec d'autres appareils).
5. Quand vous chargez initialement votre produit neuf, ou au cas où de grosses quantités de contenu tiède sont placées dans le compartiment de conservation au froid, minimisez les ouvertures de porte pendant les 12 heures qui suivent pour permettre au contenu de tomber à la température de consigne du compartiment.
6. En maintenant un compartiment d'entreposage relativement plein, il faut moins de périodes de fonctionnement en refroidissement de l'appareil qu'avec un compartiment vide.
7. Assurez-vous que la fermeture de porte n'est pas obstruée par des denrées entreposées dans votre appareil.
8. Permettez aux denrées chaudes de revenir à la température ambiante avant de les placer dans l'appareil.
9. Minimisez la fréquence et la durée des ouvertures de porte.
10. Utilisez le point de consigne de température le plus haut qui respecte votre préférence personnelle, et fournissez l'entreposage qui convient pour vos denrées conservées.
11. Quand vous êtes en vacances ou loin de la maison pour des périodes prolongées, réglez la consigne de l'appareil à la température la plus haute admissible pour la conservation de son contenu.
12. Réglez le contrôle en position d'arrêt (off) si le nettoyage de l'appareil nécessite que sa porte reste ouverte pour une période longue.

OBTENTION DE SERVICE

Si du service est nécessaire :

- Si le produit est encore dans sa première année de garantie, veuillez appeler le service à la clientèle de Marvel au 800.223.3900 pour avoir des instructions sur la façon d'obtenir une couverture sous garantie dans votre secteur.
- Si le produit est sorti de sa première année de garantie, le service à la clientèle de Marvel peut vous fournir des recommandations sur les centres de service de votre secteur. Une liste des centres de service agréés est également disponible sur le site www.marvelrefrigeration.com sous la section de service et d'assistance.
- Dans toute correspondance relative au service, assurez-vous de bien fournir la référence de modèle, le numéro de série et le la facture d'achat.
- Essayez de donner des informations ou une description de la nature du problème, sur la durée pendant laquelle l'appareil a fonctionné, sur les températures de la pièce et de l'eau, et toutes les informations qui peuvent être utiles pour une résolution rapide du problème.
- Le Tableau «E» est fourni pour enregistrer les informations pertinentes sur votre produit, comme référence ultérieure.

Pour vos archives	
Date d'achat	
Nom du revendeur	
Adresse du revendeur	
Ville du revendeur	
État/province du revendeur	
Code Zip/postal du revendeur	
N° de série de l'appareil	
N° de série de l'appareil	
Date d'envoi de la carte de garantie (à faire dans les 10 jours après l'achat)	

Tableau E

DÉPANNAGE

Avant d'appeler pour du service

Si l'appareil semble présenter un dysfonctionnement, commencez par bien relire son manuel. Si le problème persiste, consultez le guide de dépannage qui suit. Identifiez le problème dans ce guide et consultez les colonnes de causes et de remèdes avant d'appeler pour du service. Le problème peut être quelque chose de très simple qui peut se résoudre sans demander une intervention de service. Cependant, il peut être nécessaire de contacter votre revendeur ou un technicien de service qualifié.



AVERTISSEMENT

Risque d'électrocution

- Ne tentez jamais de réparer ou d'exécuter de la maintenance sur l'appareil avant que son alimentation électrique n'ait été débranchée en amont. Passer l'appareil sur arrêt (OFF) n'enlève pas la présence de tension secteur sur les fils de câblage.
- Remettez en place l'ensemble des pièces et panneaux avant de redémarrer.



ATTENTION

Dans le cas improbable où vous perdriez de la capacité de refroidissement sur votre appareil, **ne le débranchez pas de son alimentation électrique**, mais appelez immédiatement un agent de dépannage qualifié. Il est possible que la perte de capacité de refroidissement résulte d'une accumulation excessive de givre sur le serpentin de refroidissement d'évaporateur. Dans ce cas, le débranchement électrique de l'appareil entraînera la fusion d'une quantité excessive de glace, qui pourra générer de l'eau de fusion qui dépassera la capacité du système de drainage du dégivrage, et risque de provoquer un dégât des eaux à votre domicile. C'est l'utilisateur final qui sera le responsable final de tout dégât des eaux causé par une coupure prématurée de l'appareil, sans avoir géré correctement l'excédent d'écoulement d'eau.

Problème	Cause possible	Remède
L'appareil ne produit pas assez de froid (Voyez «Réglage de la température» en page 10)	<ul style="list-style-type: none"> • Le contrôle a une consigne trop chaude • La température du contenu n'est pas encore stabilisée. • Utilisation excessive ou ouvertures prolongées de la porte. • Blocage du flux d'air de la grille frontale. • Défaut d'étanchéité du joint de porte. 	<ul style="list-style-type: none"> • Ajustez plus bas la consigne de température. Laissez stabiliser la température 24 heures. • Laissez la température se stabiliser pendant au moins 24 heures. • Le flux d'air ne doit pas être obstrué à la grille frontale. Consultez les valeurs de dégagements en page 4. • Changez le joint de porte.
L'appareil fait trop de froid (Voyez «Réglage de la température» en page 10)	<ul style="list-style-type: none"> • Le contrôle a une consigne trop froide • Défaut d'étanchéité du joint de porte. 	<ul style="list-style-type: none"> • Ajustez plus haut la consigne de température Laissez stabiliser la température 24 heures. • Changez le joint de porte.
Pas d'éclairage à l'intérieur	<ul style="list-style-type: none"> • Défaut de l'ensemble d'éclairage à DEL ou du commutateur d'éclairage. 	<ul style="list-style-type: none"> • Contactez un technicien de service qualifié.
L'éclairage ne s'éteint pas quand la porte est fermée	<ul style="list-style-type: none"> • L'éclairage de démonstration est resté allumé. (Modèles à porte vitrée uniquement). • La porte n'active pas l'interrupteur d'éclairage. • Commutateur d'éclairage défectueux 	<ul style="list-style-type: none"> • Éteignez l'éclairage de démonstration, refermez la porte. • L'appareil n'est pas d'aplomb, mettez-le de niveau (Voir en page 4, la section sur les pieds réglables). • Contactez un technicien de service qualifié.
Bruit ou vibration	<ul style="list-style-type: none"> • L'appareil n'est pas d'aplomb. • Obstruction de tube affectant le ventilateur. 	<ul style="list-style-type: none"> • Mettez l'armoire d'aplomb, voyez en page 4 le réglage des pieds de mise à niveau. • Contactez un technicien de service qualifié.
L'appareil ne fonctionne pas.	<ul style="list-style-type: none"> • L'appareil est à l'arrêt. • Le cordon secteur n'est pas branché. • La prise secteur n'est pas alimentée. 	<ul style="list-style-type: none"> • Mettez l'appareil en marche. Voyez pour le démarrage de votre appareil en page 10. • Branchez la fiche du cordon. • Vérifiez l'alimentation électrique de votre maison.

GARANTIE DE PRODUIT À USAGE DOMESTIQUE

Garantie limitée de Marvel Refrigeration (Marvel)

GARANTIE LIMITÉE DE UN AN SUR PIÈCES ET MAIN-D'OEUVRE

Pendant un an à compter de l'achat d'origine, cette garantie couvre toutes les pièces et la main-d'œuvre nécessaires pour réparer ou remplacer toute partie du produit qui s'avérerait défectueuse du fait de matériaux ou d'exécution. Pour des produits installés et utilisés pour un usage domestique normal, des défauts cosmétiques sur les matériaux sont inclus dans cette garantie, mais avec une couverture limitée à 60 jours à partir de la date d'achat d'origine. Toute prestation de service fournie par Marvel dans le cadre de la présente garantie doit être effectuée par une entité de service agréée par l'usine Marvel, sauf spécification différente de Marvel. Le service sera fourni durant les heures ouvrées normales.

GARANTIE LIMITÉE DE DEUX ANS SUR LES PIÈCES ET LE TRAVAIL (PRODUITS MARVEL PROFESSIONAL)

Pendant deux ans à compter de l'achat d'origine, cette garantie couvre toutes les pièces et la main-d'œuvre nécessaires pour réparer ou remplacer toute pièce du produit qui s'avérerait défectueuse du fait de matériaux ou d'exécution. Pour des produits installés et utilisés pour un usage domestique normal, des défauts cosmétiques sur les matériaux sont inclus dans cette garantie, mais avec une couverture limitée à 60 jours à partir de la date d'achat d'origine. Toute prestation de service fournie par Marvel dans le cadre de la présente garantie doit être effectuée par une entité de service agréée par l'usine Marvel, sauf spécification différente de Marvel. Le service sera fourni durant les heures ouvrées normales.

GARANTIE LIMITÉE DE TROISIÈME ANNÉE DISPONIBLE (PRODUITS MARVEL PROFESSIONAL)

Pour le produit Marvel Professional désigné, Marvel offrirait une prolongation d'un an de la garantie de deux ans à partir de la date d'achat, gratuitement. Pour profiter de cette garantie de troisième année, il faut enregistrer le produit auprès de Marvel dans les 60 jours suivant la date d'achat à marvelrefrigeration.com et fournir une preuve d'achat.

GARANTIE LIMITÉE DE CINQ ANS SUR SYSTÈME SCELLÉ

Pendant cinq ans à compter de la date d'achat d'origine, Marvel réparera ou remplacera les pièces suivantes, main-d'œuvre non comprise, qui s'avéreraient défectueuses du fait de matériaux ou d'exécution : Compresseur, condenseur, évaporateur, déshydrateur, et toute la tubulure de raccordement. Toute prestation de service fournie par Marvel dans le cadre de la présente garantie doit être effectuée par une entité de service agréée par l'usine Marvel, sauf spécification différente de Marvel. Le service sera fourni durant les heures ouvrées normales.

TERMES DES GARANTIES

Ces garanties ne s'appliquent qu'à des produits utilisés dans un des cinquante États des États Unis d'Amérique, dans le District de Columbia, ou dans l'une des 10 Provinces du Canada. Ces garanties ne couvrent aucunement des pièces ou de la main-d'œuvre pour corriger un quelconque défaut causé par négligence, accident ou mésusage, entretien, installation, service, réparation, cas de force majeure, incendie, inondation ou catastrophes naturelles. Le produit doit être installé, utilisé et entretenu en conformité avec le Guide d'utilisation de Marvel.

Les remèdes décrits plus haut pour chaque garantie sont les seuls que Marvel délivrera, dans le cadre de ces garanties ou pour toute garantie découlant par force de loi. Marvel ne sera pas responsable de tous dommages annexes ou consécutifs venant d'une violation de ces garanties ou de n'importe quelle autre garantie, qu'elle soit explicite, implicite ou légale. Certains États ou Provinces ne permettent pas l'exclusion ou la limitation des dommages annexes ou consécutifs, de ce fait la limitation ou exclusion qui précède peut ne pas être applicable pour vous. Ces garanties vous donnent des droits légaux spécifiques, et vous pouvez avoir d'autres droits qui peuvent varier d'un État ou d'une Province à un(e) autre.

Toute garantie qui pourrait être implicite du fait de votre achat ou utilisation du produit, incluant toute garantie de valeur marchande ou d'adéquation à une finalité particulière, est limitée à la durée de ces garanties, et ne peut s'étendre pour cinq ans en durée pour les pièces décrites dans la section relative à la garantie de cinq ans qui précède. Certains États ou Provinces ne permettent pas de limitations sur la durée de garantie implicite, de ce fait les limitations qui précèdent peuvent ne pas être applicables pour vous

- Ces garanties ne s'appliquent que pour l'acheteur d'origine et ne sont pas transférables.
- Ces garanties couvrent des produits installés et utilisés iniquement pour un usage domestique normal.
- Ces garanties s'appliquent à des unités fonctionnant à l'extérieur uniquement si leur modèle et numéro de séries attestent qu'elles le peuvent.
- Les filtres à eau de remplacement, les ampoules d'éclairage et les autres pièces consommables ne sont pas couverts par ces garanties.
- Le commencement de l'obligation de Marvel est limité à quatre ans après la date d'expédition depuis Marvel.
- Une formation sur place sur la manière d'utiliser votre produit n'est pas couverte par ces garanties.
- La perte d'aliments, de boissons et de médicaments n'est pas couverte par ces garanties.
- Si le produit est placé dans une zone où l'entité de service agréée par l'usine Marvel n'est pas disponible, vous pouvez avoir à prendre en charge les frais de voyage, ou à apporter vous-même le produit à une de ces entités de service agréées.
- Les unités acquises après avoir servi comme produit d'exposition, et/ou certifiées comme étant reconditionnées, ne sont couvertes que par une garantie limitée d'un an, et ne bénéficient pas d'une couverture pour des défauts d'aspect.
- Les problèmes de signaux relatifs à une connectivité Wi-Fi ne sont pas couverts par ces garanties.

Pour des pièces de rechange ou de l'assistance technique, ou pour trouver une entité de service agréée par l'usine Marvel près de chez vous, contactez Marvel Refrigeration :

MarvelRefrigeration.com • techsupport@MarvelRefrigeration.com • +616.754.5601

1260 E. Van Deinse St., Greenville, MI 48838, USA



www.marvelrefrigeration.com

Marvel Refrigeration

1260 E. VanDeinse St.
Greenville MI 48838

800.223.3900

41013895-FR Rev H
1/15/20

Toutes les spécifications et les conceptions des produits sont sujet à des changements sans préavis. De telles révisions ne donnent aucun droit pour l'acheteur de produits antérieurs à bénéficier de ces changements, améliorations, ajouts, remplacements, ni de recevoir une compensation.