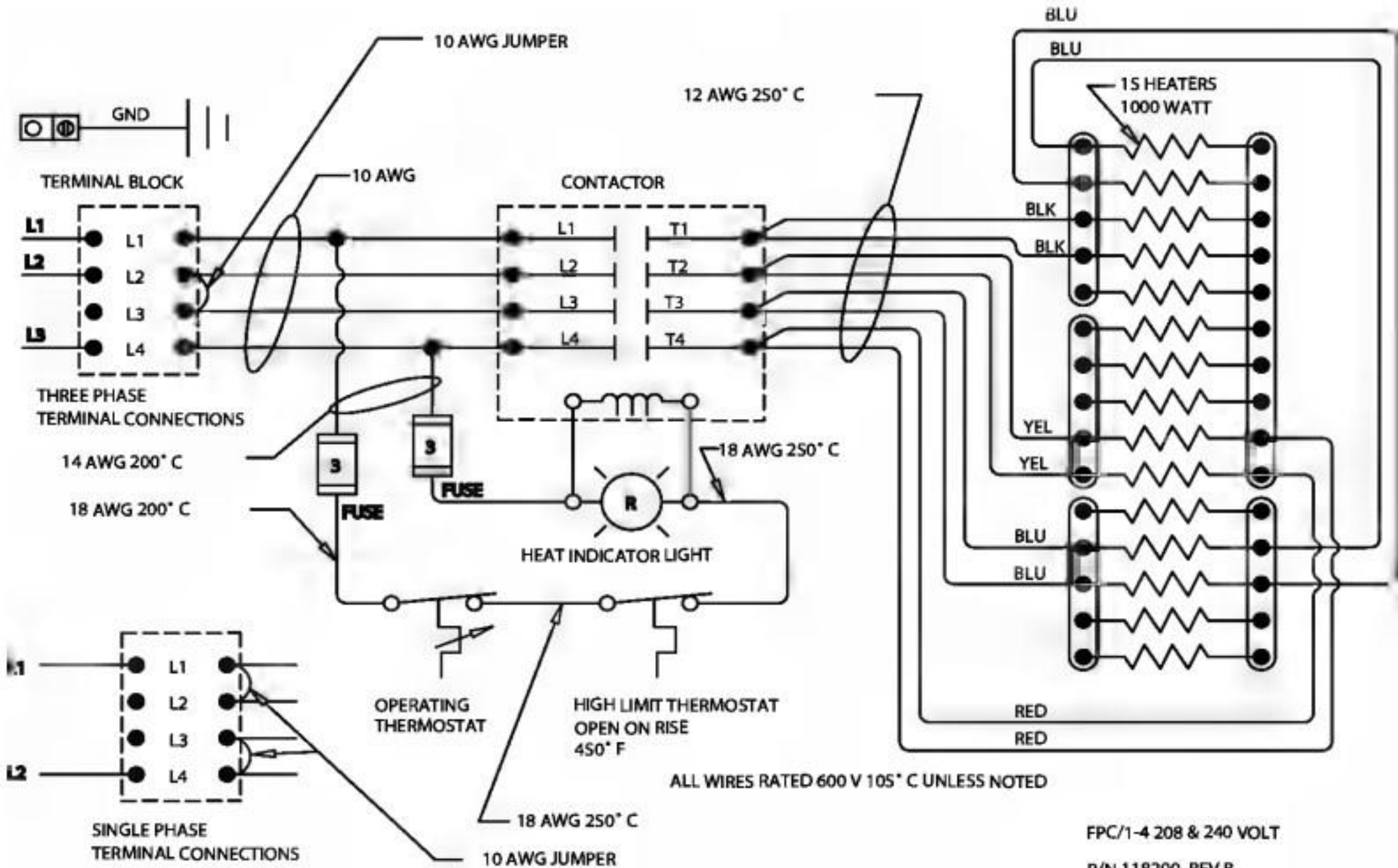
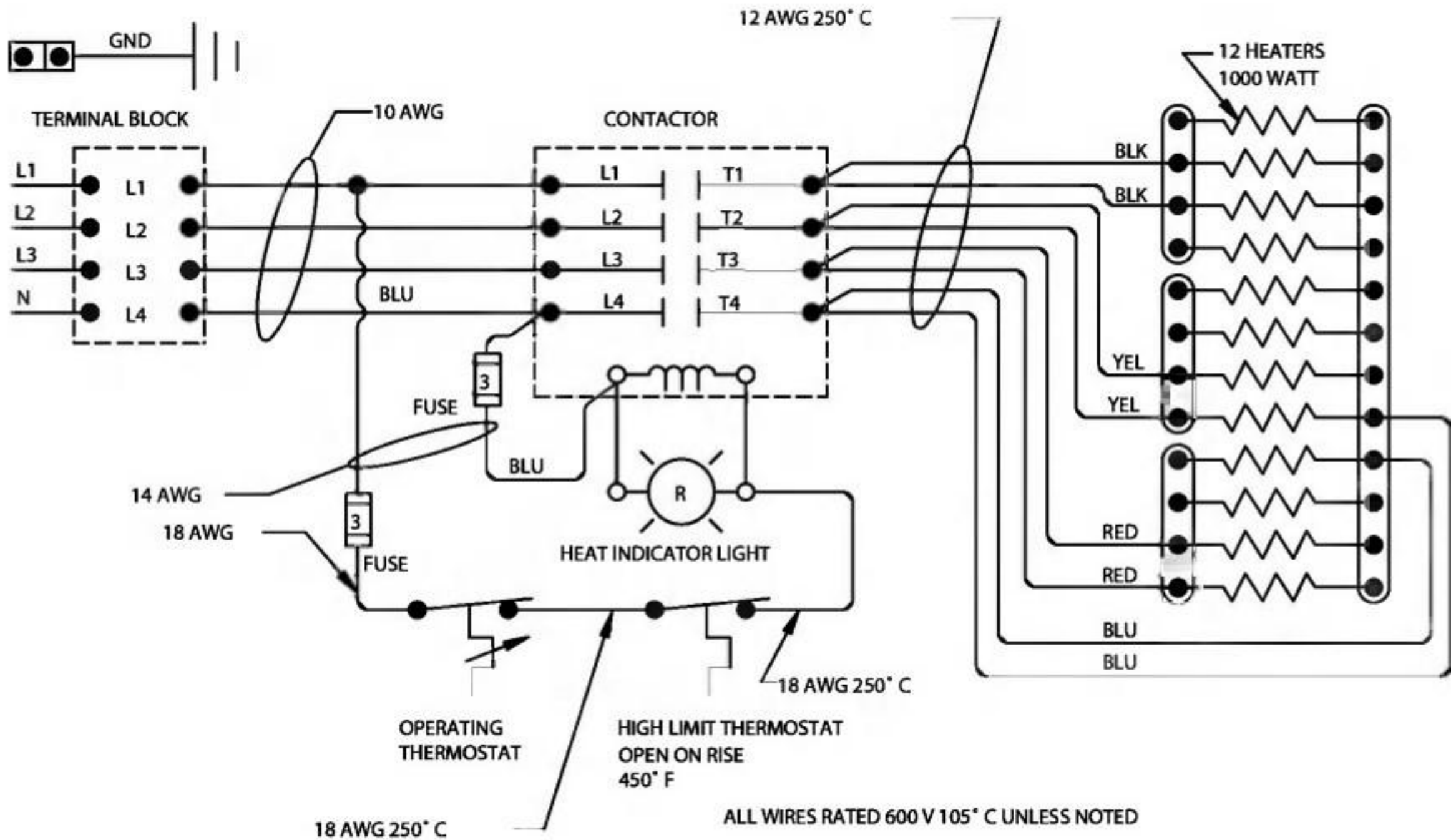


# Diagrams & Schematics, Continued



# FPC/1-3, 208 and 240 Volts



FPC/1-3 380/415 VOLT

P/N 118208 REV B

# Diagrams & Schematics, Continued

