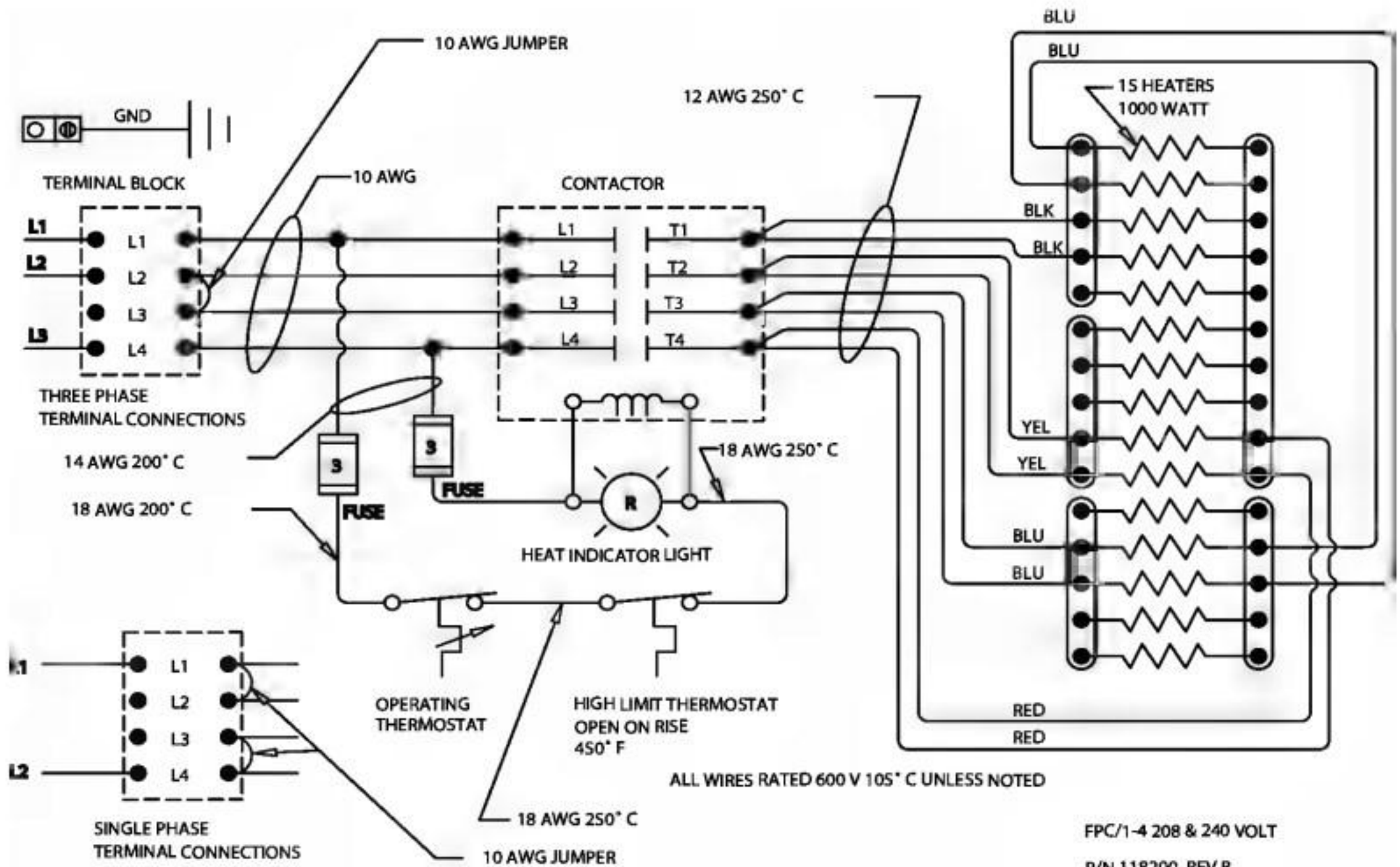
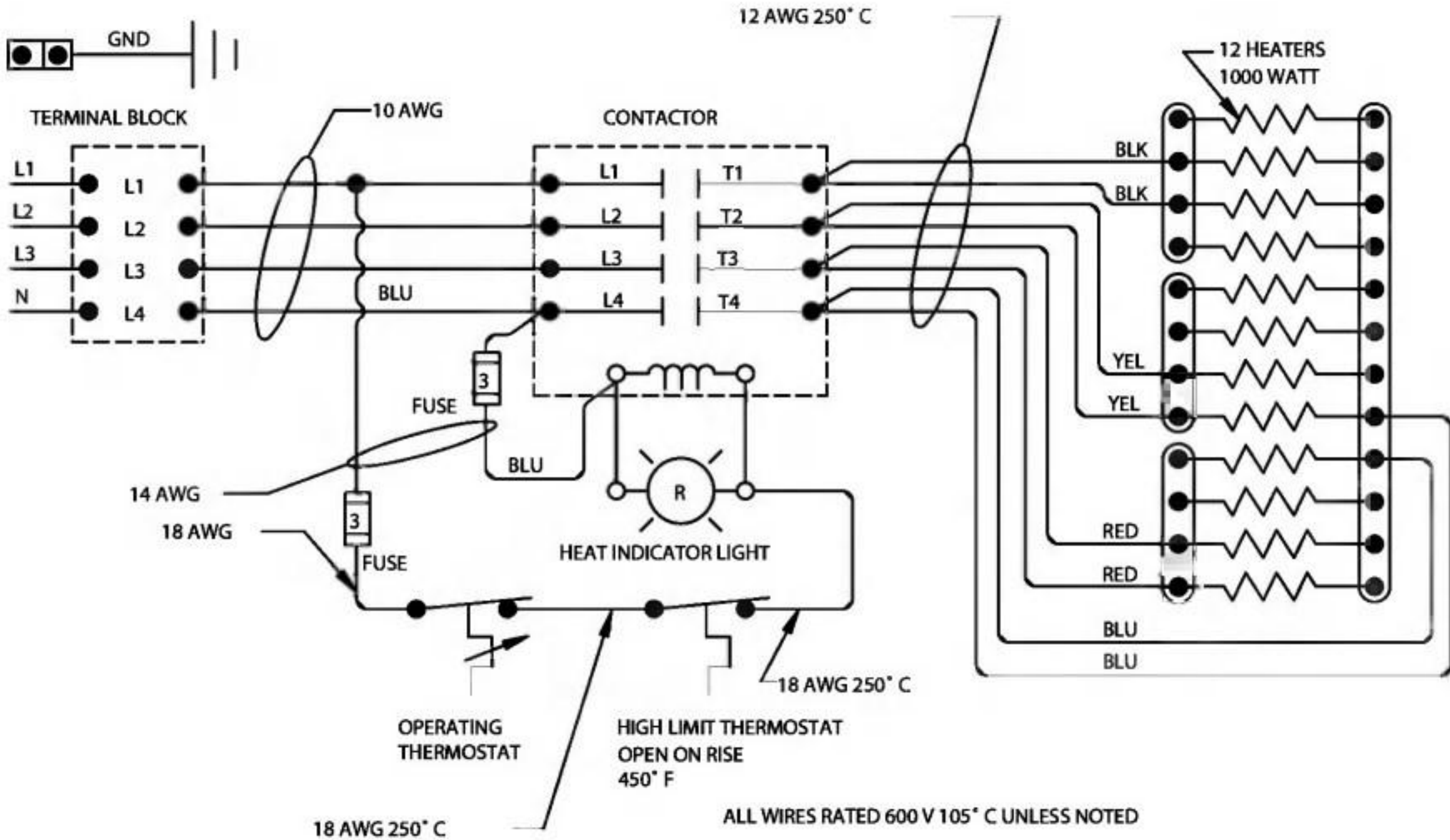


Diagrams & Schematics, Continued



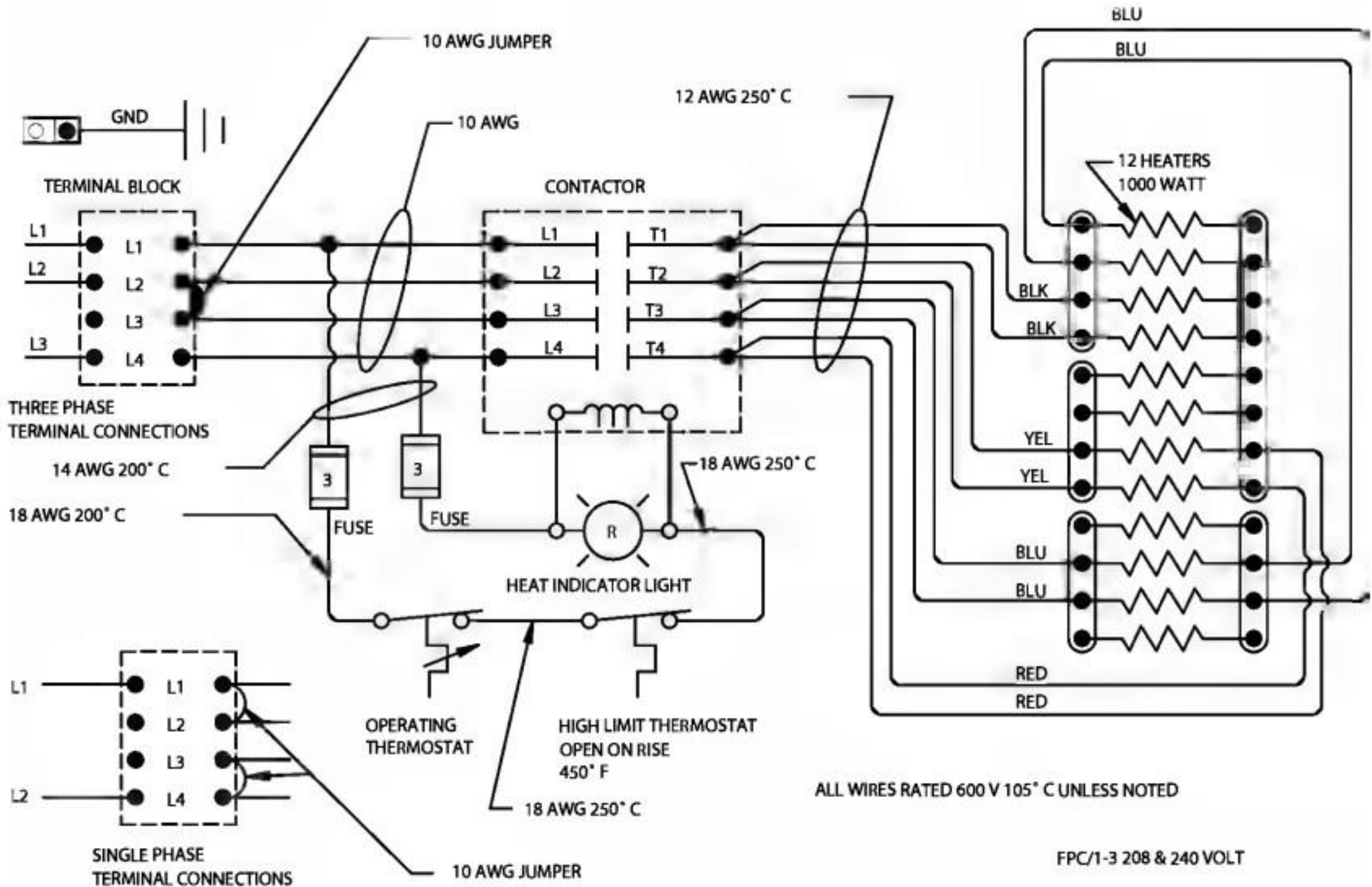
FPC/1-3, 208 and 240 Volts



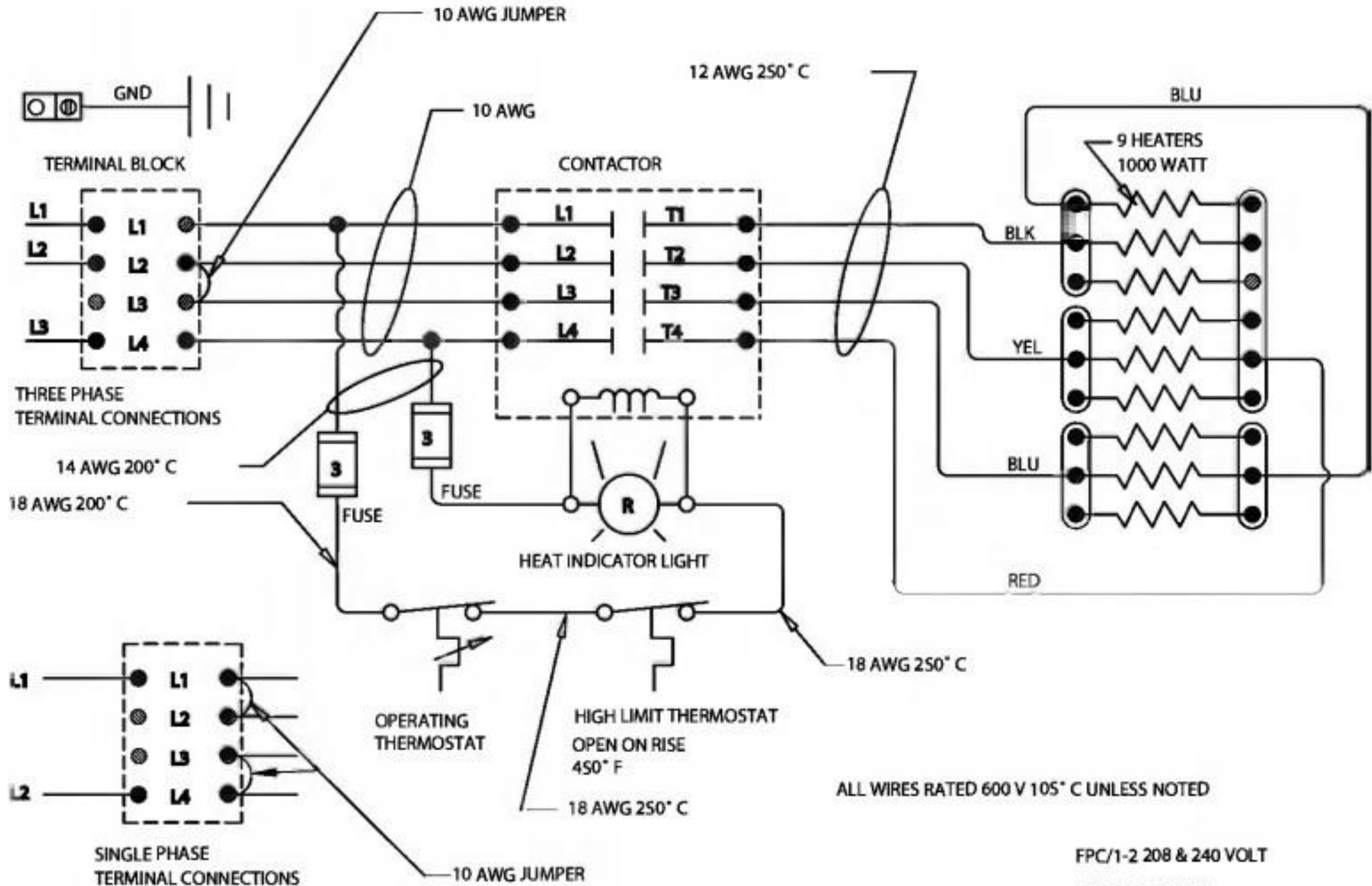
FPC/1-3 380/415 VOLT

P/N 118208 REV B

Diagrams & Schematics, Continued



Diagrams & Schematics



FPC/1-2 208 & 240 VOLT

P/N 118201 REV B