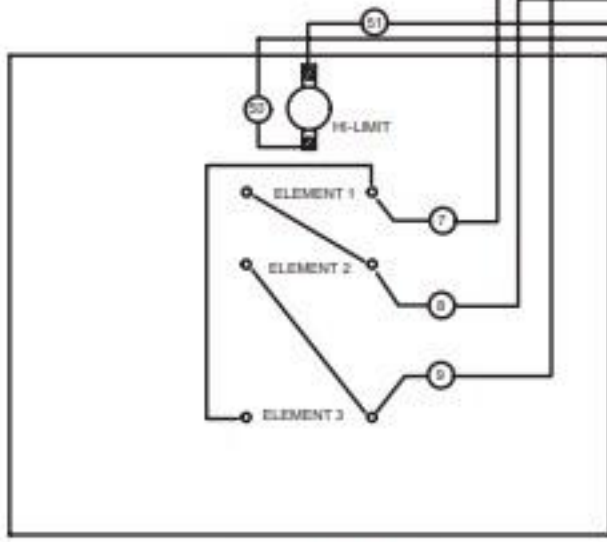
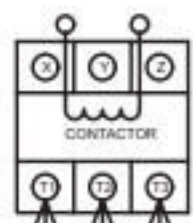
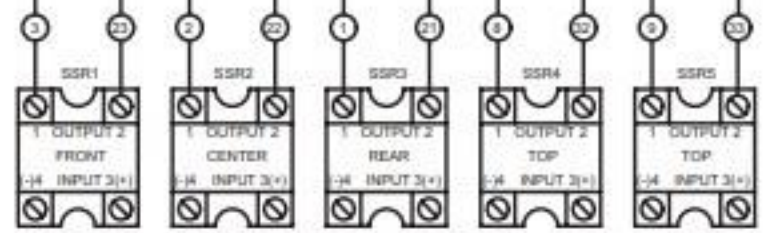
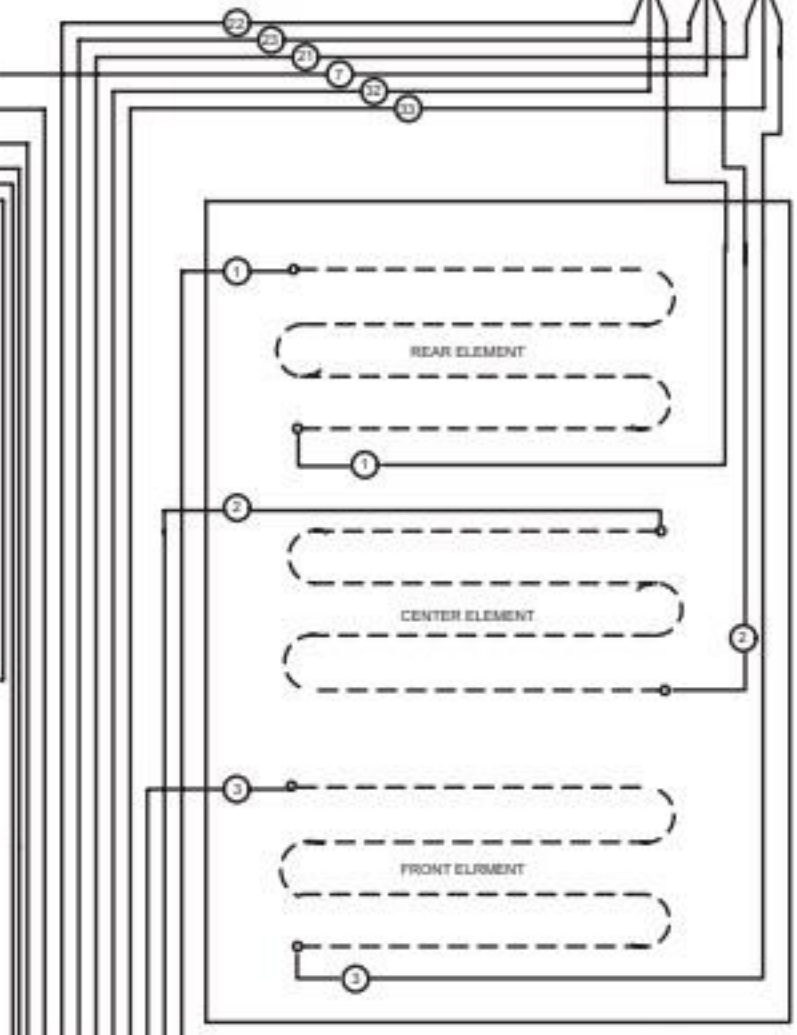


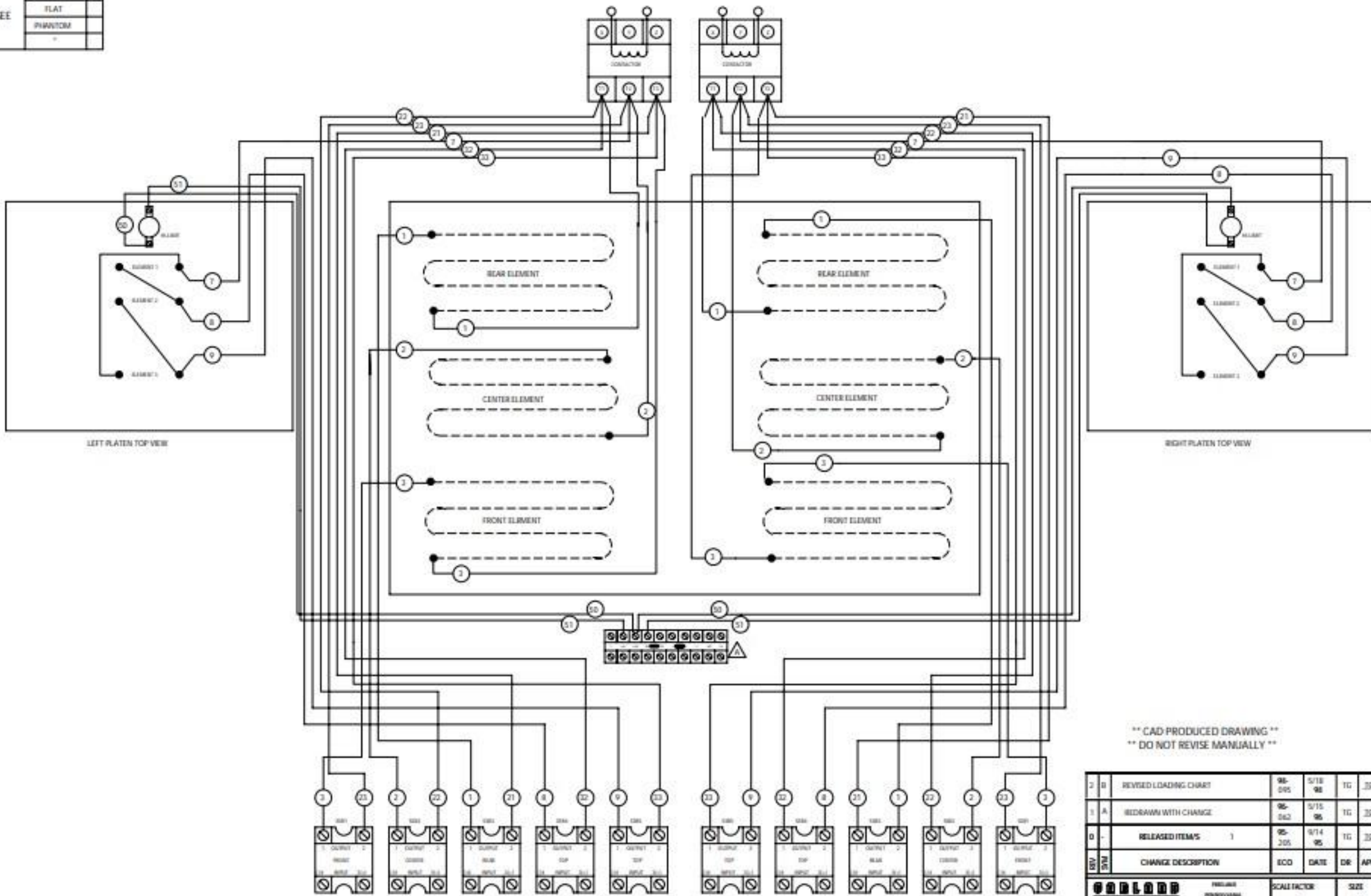
	ASSEMBLY	
	FLAT	
SEE	PHANTOM	
	-	



LEFT PLATEN TOP VIEW



DRAWING INFORMATION	
ASSEMBLY	
FLAT	
PHANTOM	
SEE	



** CAD PRODUCED DRAWING **
 ** DO NOT REVISE MANUALLY **

2	B	REVISED LOADING CHART	98-095	5/18/98	TG	3P
1	A	REDRAWN WITH CHANGE	98-062	5/15/98	TG	3P
0	-	RELEASED ITEMS	1	98-205	5/14/98	TG 3P
REV	DATE	CHANGE DESCRIPTION	ECO	DATE	DR	APP

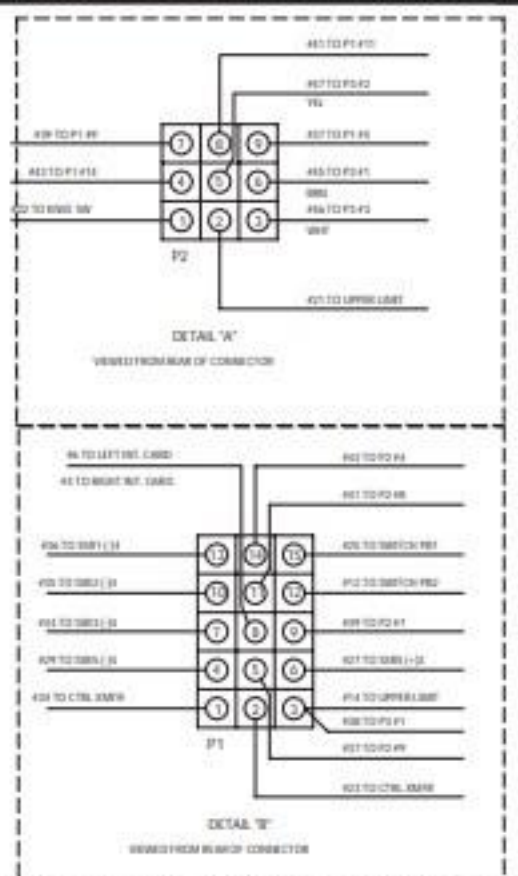
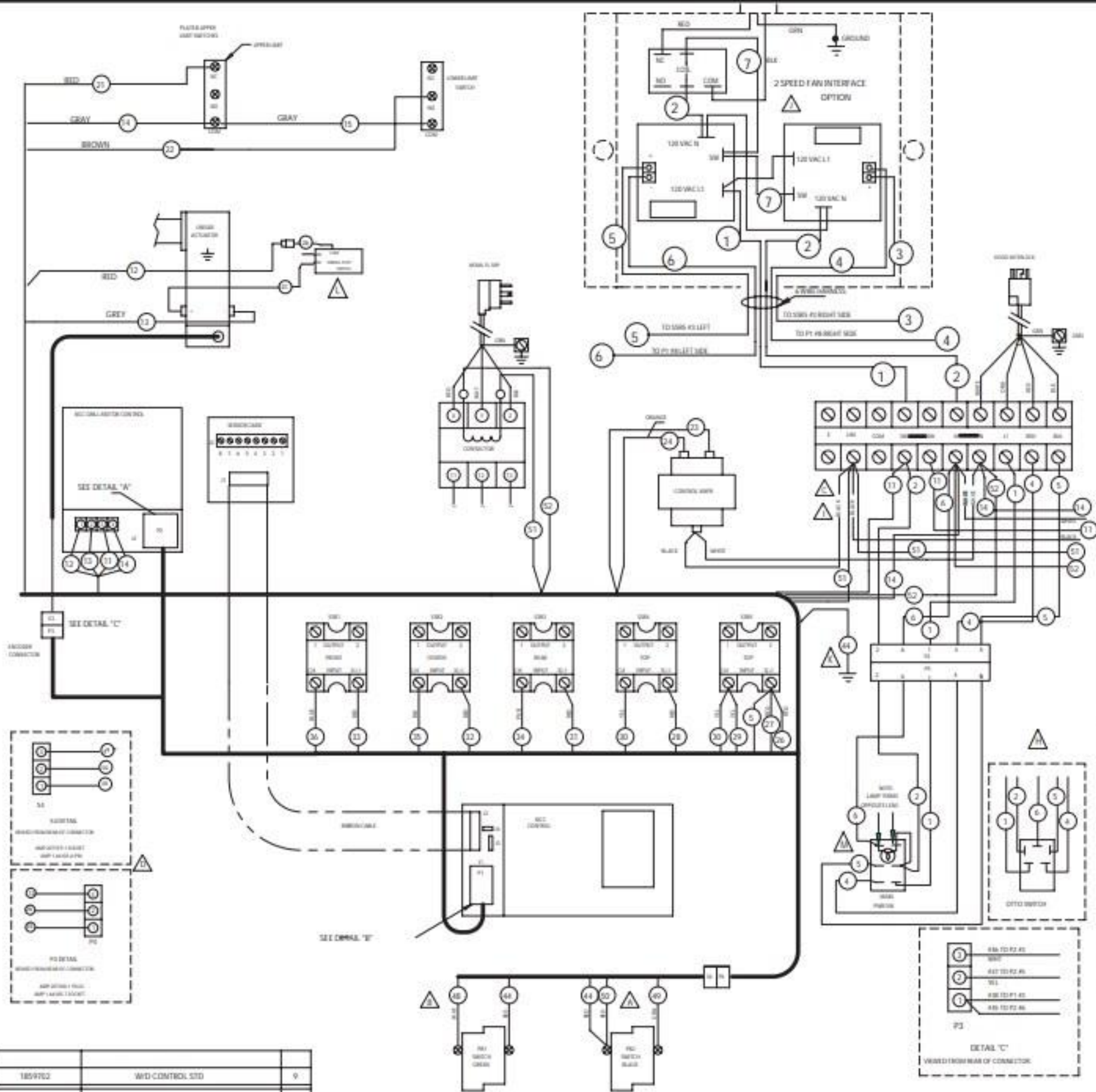
WALBRAND A WALBRAND Company	FRIGIDAIRE PROFESSIONAL MODEL	SCALE FACTOR 1	SIZE C
---------------------------------------	----------------------------------	-------------------	-----------

TOLERANCE (EXCEPT AS NOTED)				
FUNCTIONAL +1/64	DECIMAL +.005	ANGULAR +1°		
DESCRIPTION W/D ELEMENT STD FULL SIZE	DATE	DR BY	DR D	APP.
	5/14/98	TG	BG	TG
	MODEL(S) MWE-9501	FILE NAME 18597501		

THIS APPLIANCE HAS TWO POWER SUPPLY CORDS AND ONE HOOD INTERLOCK SUPPLY CORDS

TOTAL KW	THREE PHASE KW/PHASE/CORD		NOMINAL AMPERES PER LINE PER CORD												
				THREE PHASE 60 HZ											
	308	220	340	X	Y	Z	X	Y	Z	X	Y	Z	X	Y	Z
21.2	7.06	7.06	7.06												
	8-Y	9-Z	8-Z	215	205	205	215	215	215	215	205	205	215	205	205

2			
1	1859701	W/D ELEMENT STD FULL SIZE	0
ITEM	PART NUMBER	DESCRIPTION	REV

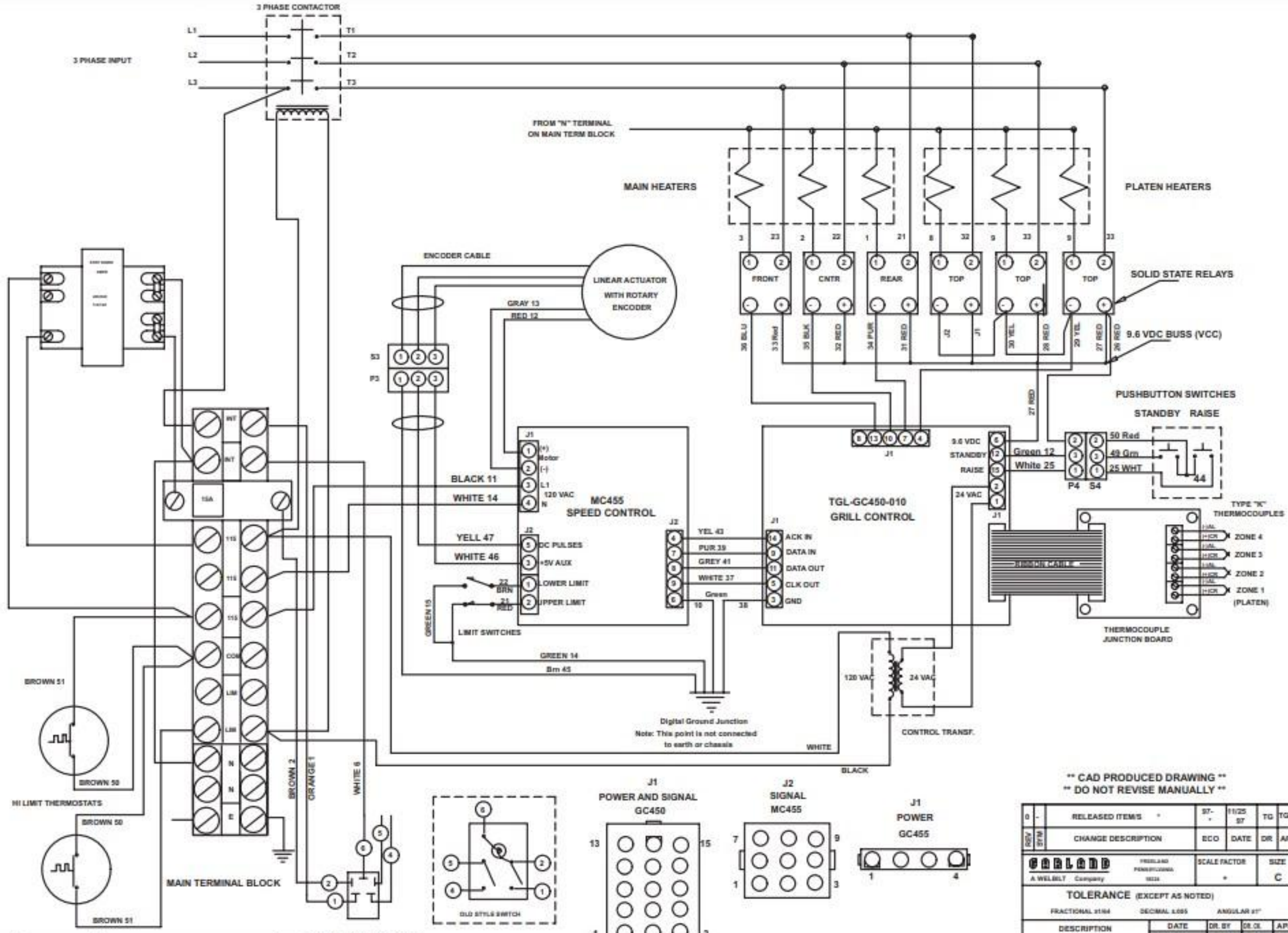


*** CAD PRODUCED DRAWING - DO NOT REUSE MANUALLY ***
 © 1999 GARLAND COMMERCIAL INDUSTRIES
 THIS DRAWING AND SPECIFICATIONS ARE THE PROPERTY OF GARLAND COMMERCIAL INDUSTRIES
 AND SHALL NOT BE REPRODUCED OR TRANSMITTED IN ANY FORM OR BY ANY MEANS WITHOUT THE WRITTEN PERMISSION

REV	DATE	DESCRIPTION	ECD	DATE	DR	APP
10	M	ADDED 15A SWITCH	03-544	07/10/02	TG	TG
9	L	ADDED EMERG STOP SW	01-503	01/10/02	TG	TG
8	A	ADDED GROUND WIRE	00-538	11/19/00	TG	TG
7	J	ADDED 2 SPD FAN INTERFACE	99-588	9/29/00	TG	TG
6	I	Moved alarm wires from unit	98-302	6/9/98	TG	TG
5	H	ADDED ALTERNATE SWITCH WIRING	97-254	12/10/97	TG	TG
4	G	REMOVED JUMPER WIRES				
4	F	ADDED WIRE NO 52	97-085	5/18/97	TG	TG
	E	WIRE NO 13 WAS 79 WIRE NO 12 WAS 18				
3	D	ADDED DETAILS 54 AND 54	96-083	8/28/96	TG	TG
	H	WIRE NO 48 WAS 25				
1	A	WIRE NO 50 WAS 26 WIRE NO 49 WAS 12	96-208R1	4/8/96	TG	BG
0	-	RELEASED ITEMS 1	95-205	2/7/95	TG	TG
REV 20/21		CHANGE DESCRIPTION				

GARLAND A WEISS Company		SCALE FACTOR 1	SIZE C
TOLERANCE (EXCEPT AS NOTED)			
FUNCTIONAL ±.154	DECIMAL ±.005	ANGULAR ±.1°	
DESCRIPTION W/D CONTROL STD	DATE 2/7/96	DR BY TG	APP. BG TG
	MODEL(S) MWE-9501	FILE NAME 18597502	

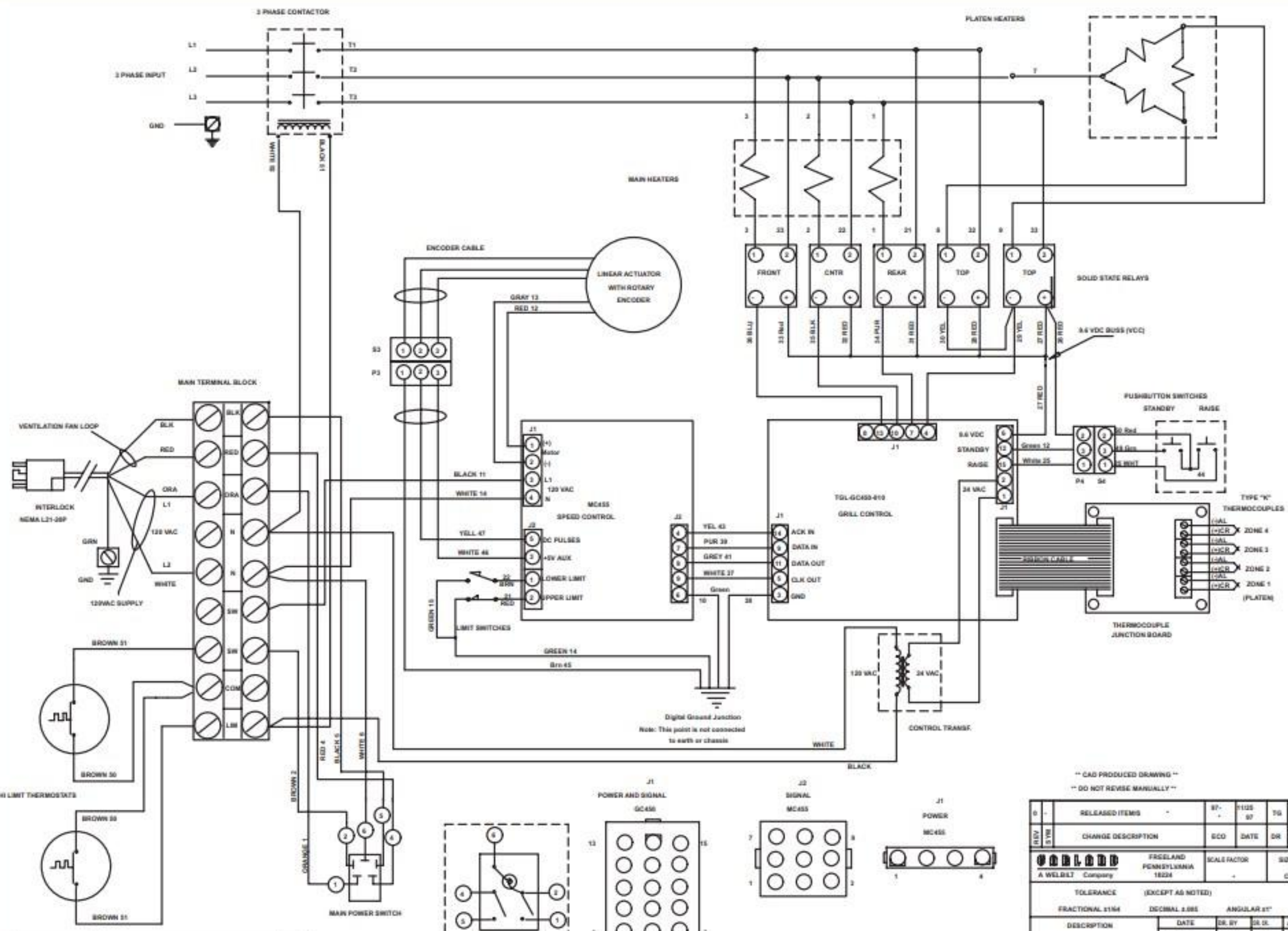
ITEM	PART NUMBER	DESCRIPTION	REV
2			
1	1859702	W/D CONTROL STD	9



**** CAD PRODUCED DRAWING ****
**** DO NOT REVISE MANUALLY ****

REV	DESCRIPTION	ECO	DATE	DR	APP
0	RELEASED ITEM'S	ST	11/25/97	TG	TG
CHANGE DESCRIPTION		ECO	DATE	DR	APP
		SCALE FACTOR	SIZE		
A WELBILT Company		+	C		
TOLERANCE (EXCEPT AS NOTED)					
FRACTIONAL 1/64		DECIMAL 0.005		ANGULAR 1/2°	
DESCRIPTION	DATE	DR. BY	DR. CR.	APP.	
ELECTRICAL SCHEMATIC	11/25/97	TG	TG	TG	
MODEL(S)	FILE NAME				
MWE-9501	SK98-004				
MWEH-9501					

1	SK98-004	ELECTRICAL SCHEMATIC	0
ITEM	PART NUMBER	DESCRIPTION	REV



“ CAD PRODUCED DRAWING ”
 “ DO NOT REVERSE MANUALLY ”

0	RELEASED ITEMS	-	87-	1105	TG	TG
REV	CHARGE DESCRIPTION		ECO	DATE	DR	APP
		FREELAND PENNSYLVANIA 18234	SCALE FACTOR	SIZE		
TOLERANCE (EXCEPT AS NOTED)						
FRACTIONAL 1/164		DECIMAL 1.005	ANGULAR 1/16"			
DESCRIPTION		DATE	DR. BY	DR. DL.	APP.	
ELECTRICAL SCHEMATIC		11/25/97	TG	TG	TG	
		MODEL(S)	FILE NAME			
		8WS-001	3K35-003			
		MWD-001				

1	3K35-003	ELECTRICAL SCHEMATIC STD.ELEC.	0
ITEM	PART NUMBER	DESCRIPTION	REV