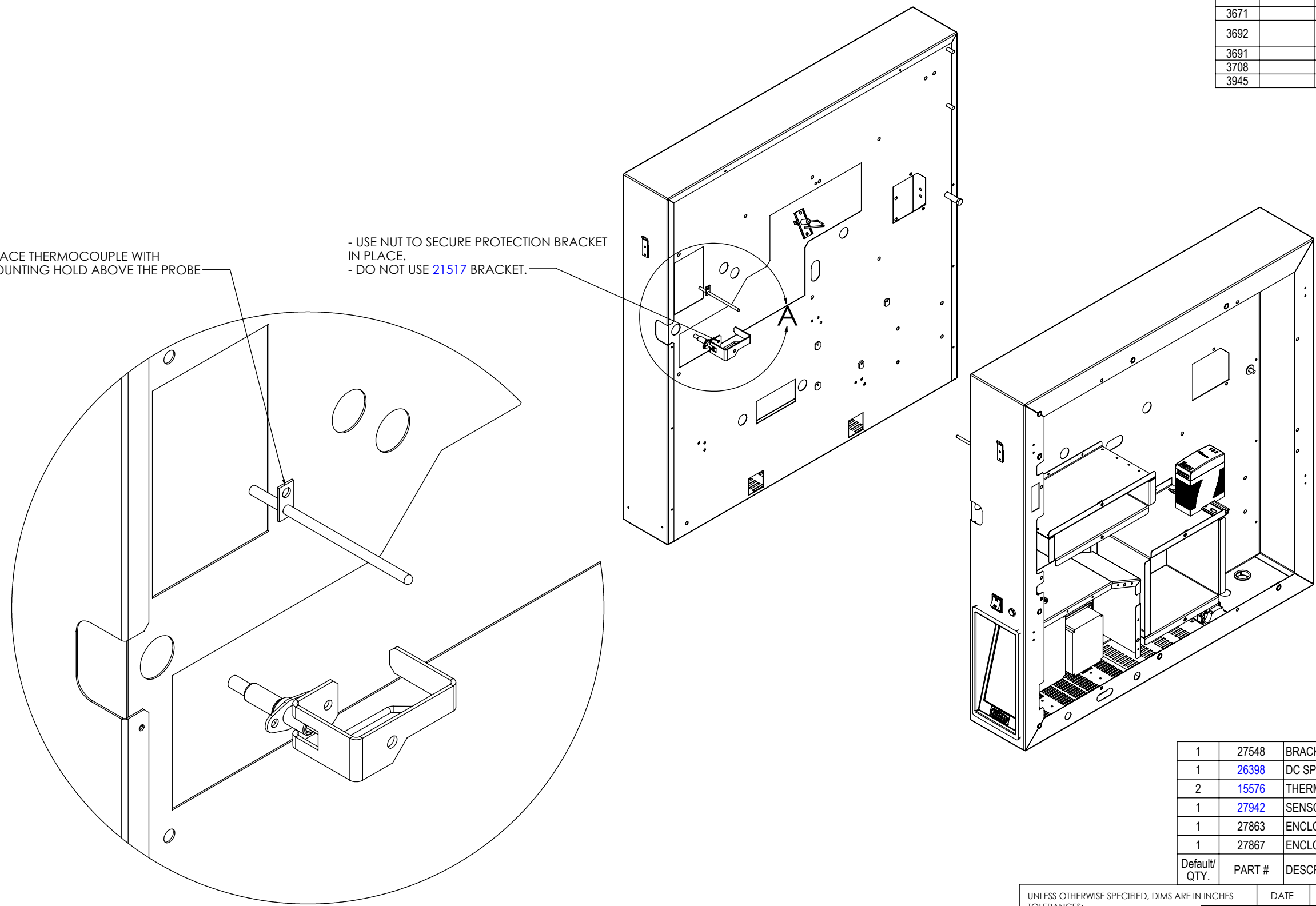


8 7 6 5 4 3 2 1

REVISIONS					
ECR/N	ZONE	REV.	DESCRIPTION	DATE	APPROVED
		A	INITIAL RELEASE	7-19-18	SJ
3570		B	BOM UPDATED, BOTH ENCLOSURES REBUILT	1-20-19	SJ/MJ
3623		C	ADDED 2X 15576, 27995 REMOVED 2X 18861, 2X 27967	3-7-19	SJ
3671		D	ADDED 22725	8-14-19	SJ
3692		E	MOVED 27874, 27875, 27988, 27989, 22725, 27995, 27321, 22782	9-17-19	SJ
3691		F	REMOVE 27303, ADD 26398	9-19-19	JP
3708		G	ADDED 1X 27548	10-22-19	JP
3945		H	UPDATED 27863, 27867	8-25-21	SJ


-PLACE THERMOCOUPLE WITH MOUNTING HOLD ABOVE THE PROBE

- USE NUT TO SECURE PROTECTION BRACKET IN PLACE.
- DO NOT USE 21517 BRACKET.



DETAIL A

1	27548	BRACKET, FLAME SENSOR PROTECTION, FH	6
1	26398	DC SPARK IGNITOR, 2.281"	5
2	15576	THERMOCOUPLE PROBE, W/SS OVER BRAID, TYPE J, 16" LEADS	4
1	27942	SENSOR, FLAME, BENT, CV	3
1	27863	ENCLOSURE, FB-G, SCREEN, R - ASSY	2
1	27867	ENCLOSURE, FB-G, L - ASSY	1
Default/ QTY.	PART #	DESCRIPTION	ITEM #

UNLESS OTHERWISE SPECIFIED, DIMS ARE IN INCHES TOLERANCES: FRACTIONAL: ±1/32 ANGULAR: ±1° TWO PLACE DECIMAL: ±.03 THREE PLACE DECIMAL: ±.01	DATE	NAME	 (707) 284-7100 (707) 284-7430 FAX WINDSOR, CA 95492-8594	THIS DOCUMENT IS THE PROPERTY OF NIECO CORPORATION. REPRODUCTION OR RELEASE WITHOUT EXPRESS PERMISSION IS PROHIBITED.	
	DRAWN	7-19-18			MJ/SJ
	SIMILAR TO	27306			P/N: 27837
WEIGHT	64.77	LBS.		REV: H	

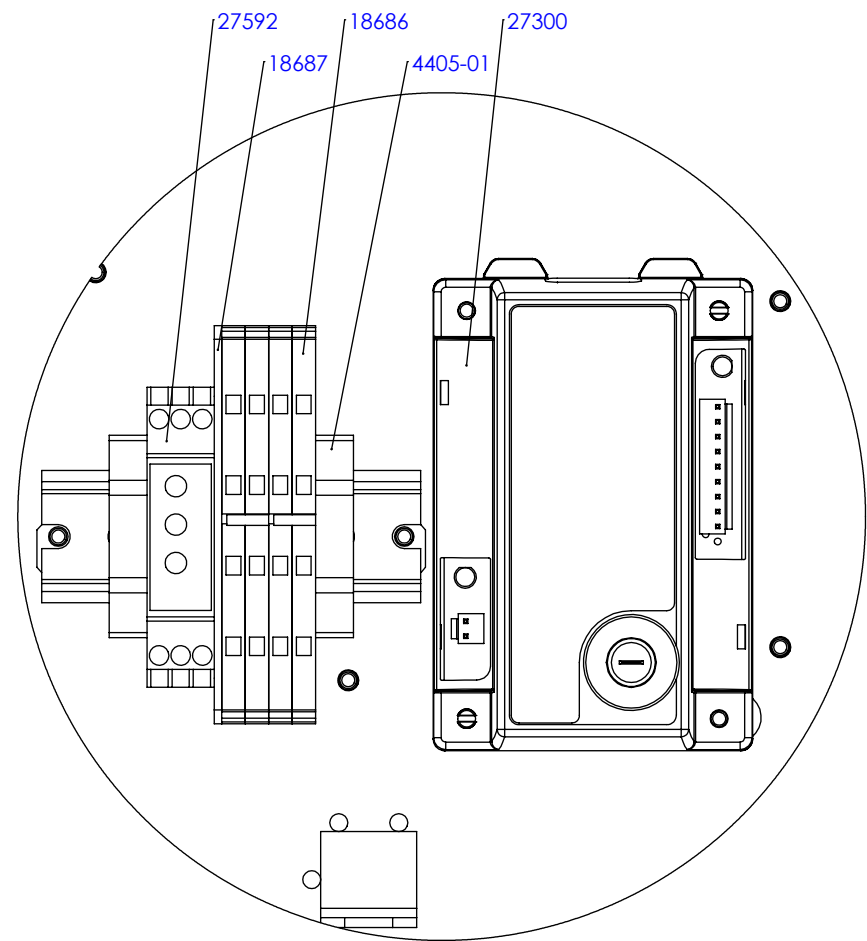
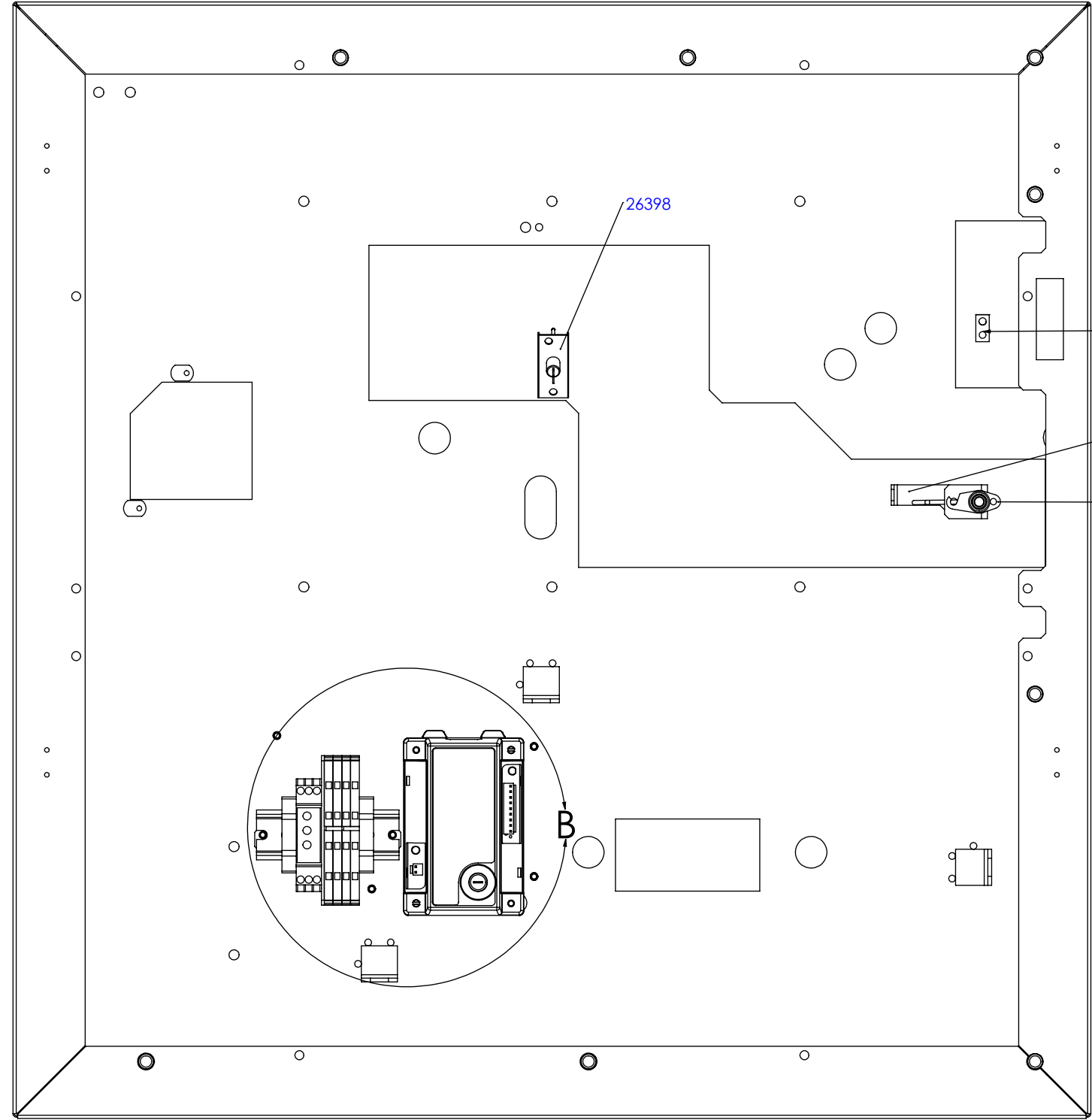
TITLE: ELECTRICAL PHA,28.5-24.5,GAS,L-R,SCREENR

MATERIAL: SEE PARTS LIST FINISH: BURR STANDARD CLASS "B" SCALE: 1:12 SHEET 1 OF 3

8 7 6 5 4 3 2 1

8 7 6 5 4 3 2 1

ENCLOSURE FOR VISUAL REFERENCE ONLY




DETAIL B

D
C
B
A

D
C
B
A

8 7 6 5 4 3 2 1

UNLESS OTHERWISE SPECIFIED, DIMS ARE IN INCHES TOLERANCES: FRACTIONAL: ±1/32 ANGULAR: ±1° TWO PLACE DECIMAL: ±.03 THREE PLACE DECIMAL: ±.01	DRAWN	7-19-18	NAME	MJ/SJ	 <small>(707) 284-7100 (707) 284-7430 FAX WINDSOR, CA 95492-8594</small>	THIS DOCUMENT IS THE PROPERTY OF NIECO CORPORATION. REPRODUCTION OR RELEASE WITHOUT EXPRESS PERMISSION IS PROHIBITED.
	SIMILAR TO	27306	P/N :	27837		
	WEIGHT	64.77	LBS.			

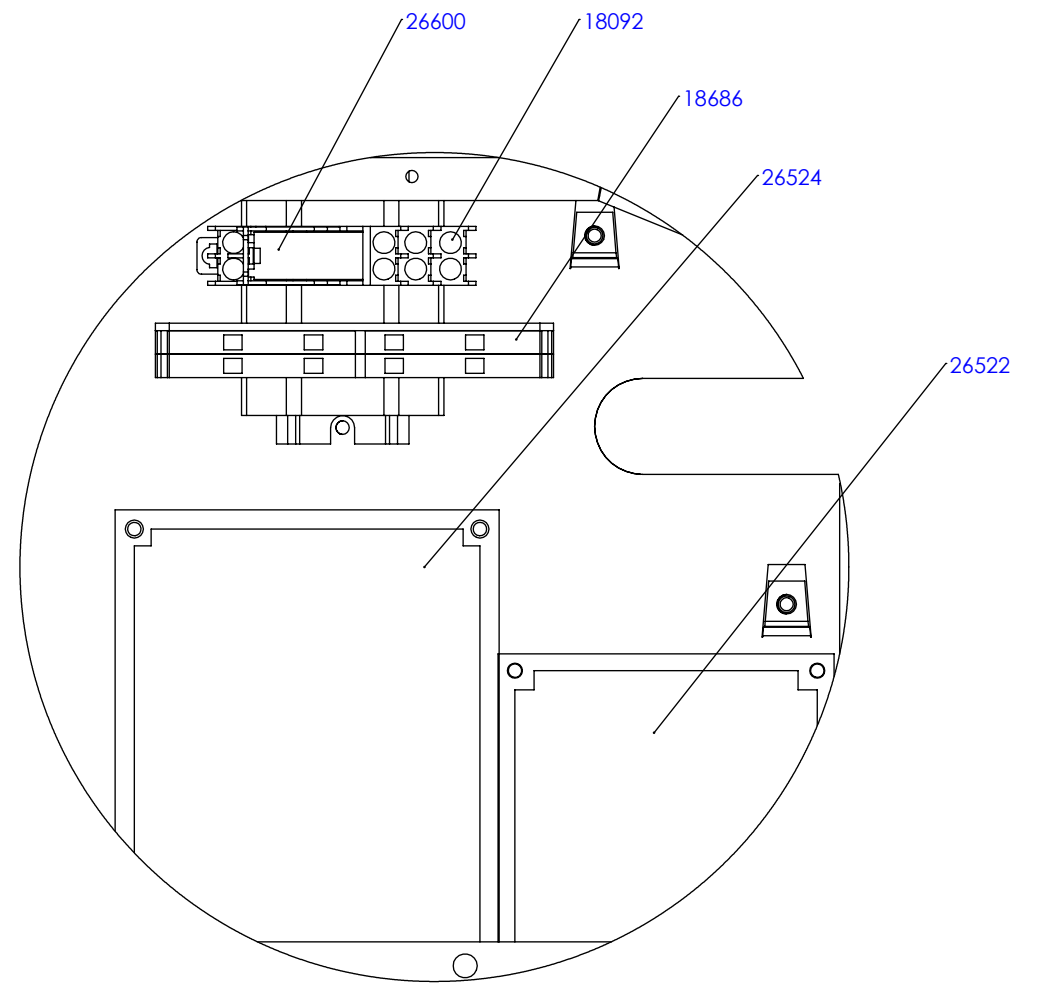
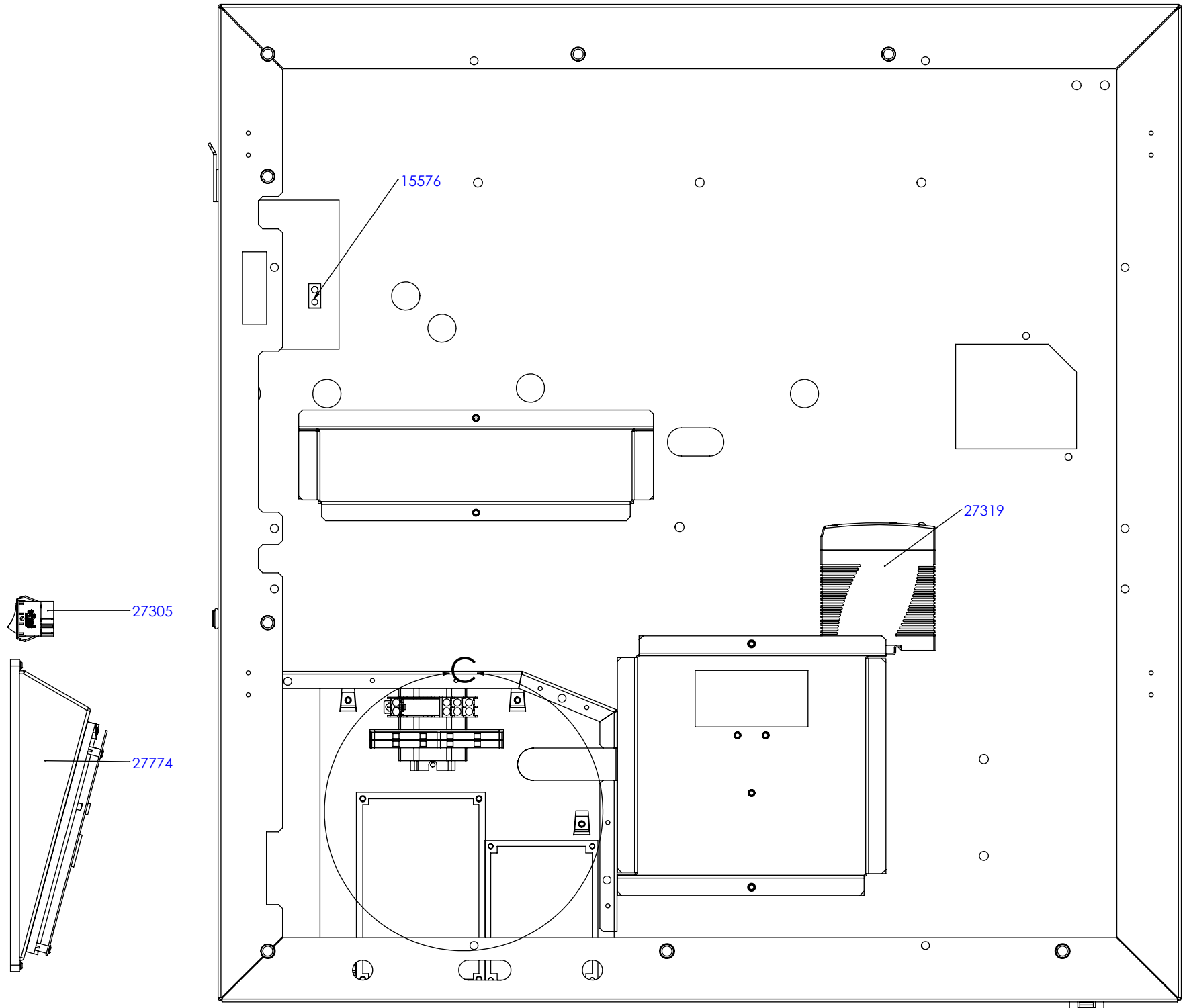
TITLE: ELECTRICAL PHA,28.5-24.5,GAS,L-R,SCREENR

MATERIAL: SEE PARTS LIST FINISH: BURR STANDARD CLASS "B" SCALE: 1:12 SHEET 2 OF 3

8 7 6 5 4 3 2 1

ENCLOSURE FOR VISUAL REFERENCE ONLY

D
C
B
A



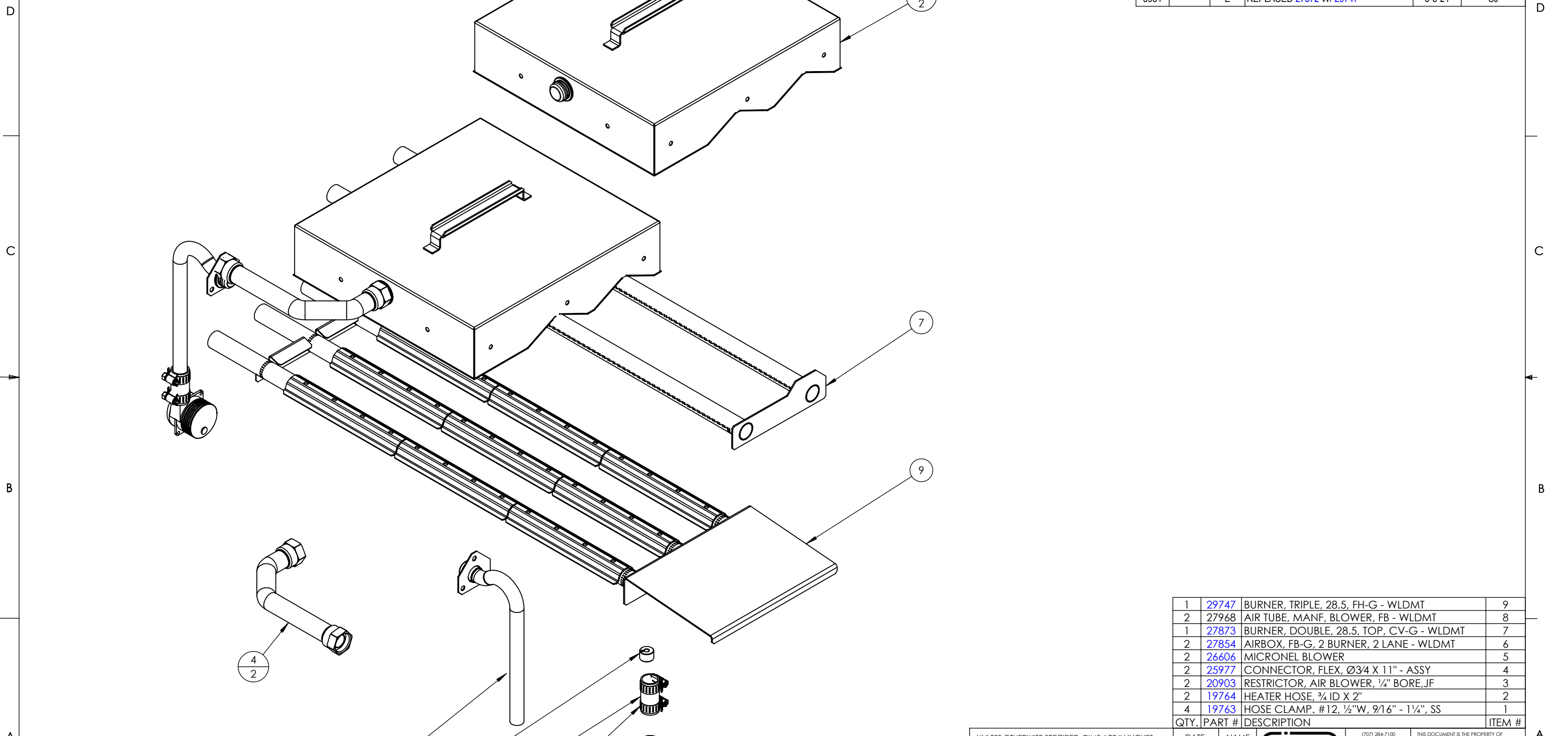
DETAIL C

UNLESS OTHERWISE SPECIFIED, DIMS ARE IN INCHES		DATE	NAME		(707) 284-7100 (707) 284-7430 FAX WINDSOR, CA 95492-8594	THIS DOCUMENT IS THE PROPERTY OF NIECO CORPORATION. REPRODUCTION OR RELEASE WITHOUT EXPRESS PERMISSION IS PROHIBITED.
TOLERANCES: FRACTIONAL: ±1/32 ANGULAR: ±1° TWO PLACE DECIMAL: ±.03 THREE PLACE DECIMAL: ±.01		DRAWN	-			
		SIMILAR TO	27306	P/N : 27837		REV: H
		WEIGHT	64.77 LBS.			
TITLE: ELECTRICAL PHA,28.5-24.5,GAS,L-R,SCREENR						
MATERIAL: SEE PARTS LIST		FINISH: BURR STANDARD CLASS "B"		SCALE: 1:12	SHEET 3 OF 3	

8 7 6 5 4 3 2 1


8 7 6 5 4 3 2 1

REVISIONS					
ECR	ZONE	REV.	DESCRIPTION	DATE	APPROVED
		A	INITIAL RELEASE	7-19-18	SJ
3570		B	1-REV 27854, 27873, 27872 2-ADDED 2X 25977 3-REPLACED 26136 W/ 27968	1-17-19	MJ/SJ
3623		C	UPDATED 27854, 27873	3-7-19	SJ
3671		D	ADDED 2X 20903	8-5-19	SJ
3931		E	REPLACED 27872 W/ 29747	6-8-21	SJ



NOTE:
1. MINIMUM BEND RADIUS
2. ALL HOLE DIAMETERS ±.005

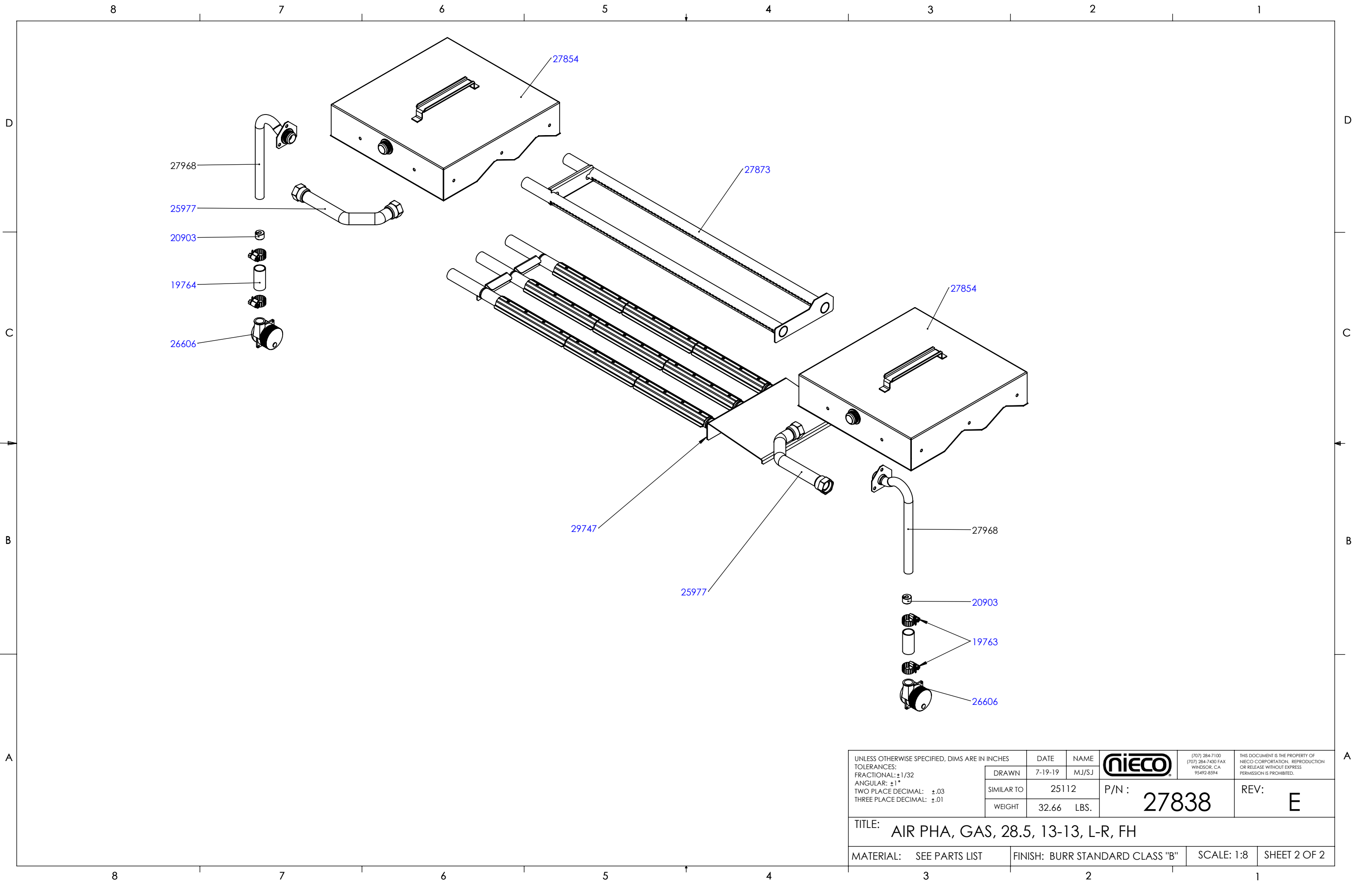
QTY.	PART #	DESCRIPTION	ITEM #
1	29747	BURNER, TRIPLE, 28.5, FH-G - WLDMT	9
2	27968	AIR TUBE, MANF, BLOWER, FB - WLDMT	8
1	27873	BURNER, DOUBLE, 28.5, TOP, CV-G - WLDMT	7
2	27854	AIRBOX, FB-G, 2 BURNER, 2 LANE - WLDMT	6
2	26606	MICRONEL BLOWER	5
2	25977	CONNECTOR, FLEX, Ø3/4 X 11" - ASSY	4
2	20903	RESTRICTOR, AIR BLOWER, 1/4" BORE, JF	3
2	19764	HEATER HOSE, 3/4 ID X 2"	2
4	19763	HOSE CLAMP, #12, 1/2"W, 9/16" - 1 1/4", SS	1


UNLESS OTHERWISE SPECIFIED, DIMS ARE IN INCHES		DATE	NAME	 <small>(707) 284-7100 (707) 284-7430 FAX WINDSOR, CA 95492-8594</small>	<small>THIS DOCUMENT IS THE PROPERTY OF NIECO CORPORATION. REPRODUCTION OR RELEASE WITHOUT EXPRESS PERMISSION IS PROHIBITED.</small>	
TOLERANCES: FRACTIONAL: ±1/32 ANGULAR: ±1° TWO PLACE DECIMAL: ±.03 THREE PLACE DECIMAL: ±.01		DRAWN	7-19-18			MJ/SJ
		SIMILAR TO	25112			
		WEIGHT	32.66 LBS.		P/N: 27838	
					REV: E	

TITLE: AIR PHA, GAS, 28.5, 13-13, L-R, FH

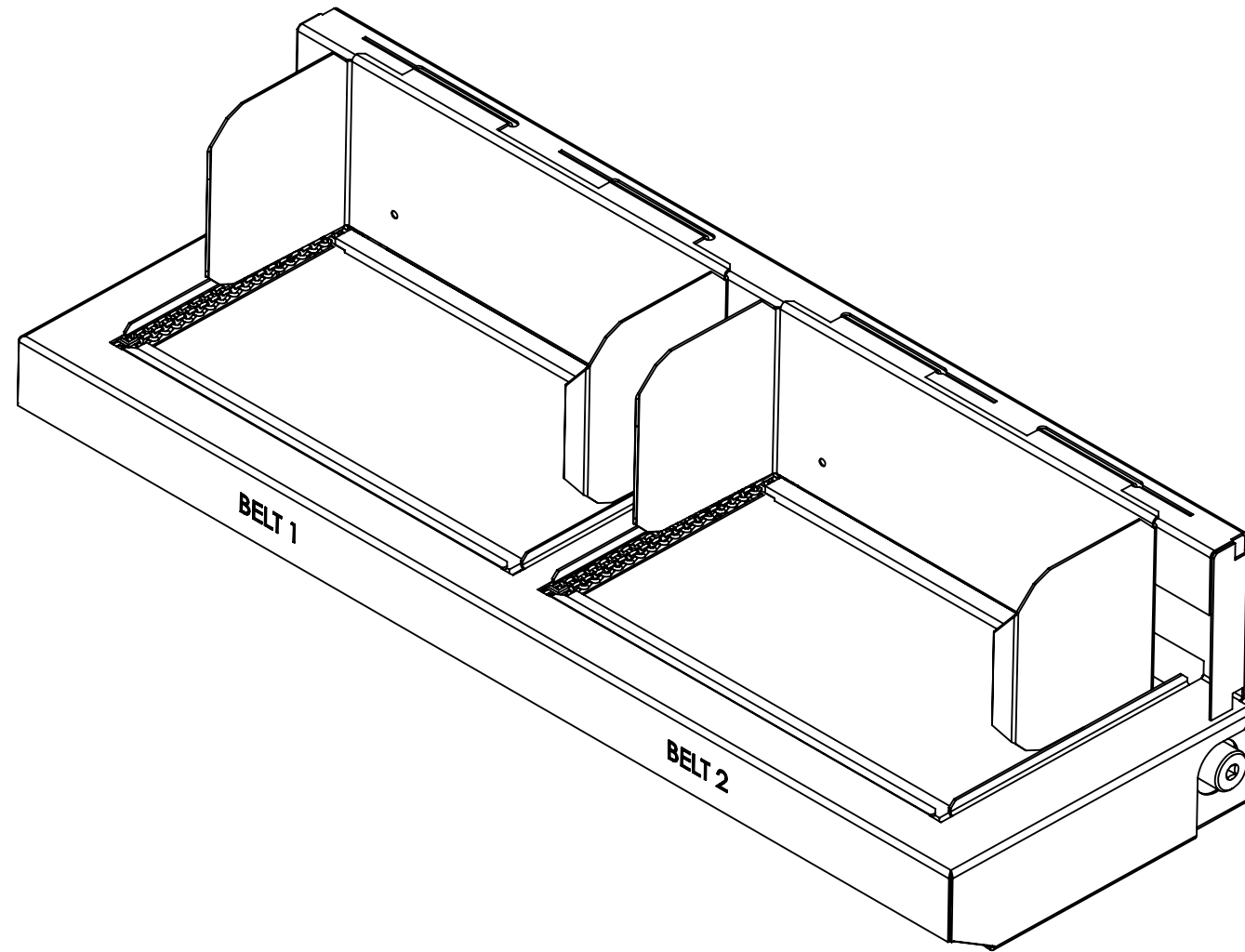
MATERIAL: SEE PARTS LIST FINISH: BURR STANDARD CLASS "B" SCALE: 1:8 SHEET 1 OF 2

8 7 6 5 4 3 2 1




UNLESS OTHERWISE SPECIFIED, DIMS ARE IN INCHES		DATE	NAME	 <small>(707) 284-7100 (707) 284-7430 FAX WINDSOR, CA 95492-8594</small>	<small>THIS DOCUMENT IS THE PROPERTY OF NIECO CORPORATION. REPRODUCTION OR RELEASE WITHOUT EXPRESS PERMISSION IS PROHIBITED.</small>
TOLERANCES: FRACTIONAL: $\pm 1/32$ ANGULAR: $\pm 1^\circ$ TWO PLACE DECIMAL: $\pm .03$ THREE PLACE DECIMAL: $\pm .01$		DRAWN	7-19-19		
		SIMILAR TO	25112		P/N : 27838
		WEIGHT	32.66 LBS.		REV: E
TITLE: AIR PHA, GAS, 28.5, 13-13, L-R, FH					
MATERIAL: SEE PARTS LIST		FINISH: BURR STANDARD CLASS "B"		SCALE: 1:8	SHEET 2 OF 2

REVISIONS					
ECR	ZONE	REV.	DESCRIPTION	DATE	APPROVED
		A	INITIAL RELEASE	7-19-18	SJ
3669		B	REMOVED 18556, 18554 ADDED 28542, 28541	7-3-19	SJ
3692		C	REPLACED 28541 W/ 28542 REMOVED 2X 17494, 2X 20504, 4X 5512	9-17-19	SJ
3691		D	REMOVE 17066, ADD 29026	9-19-19	JP



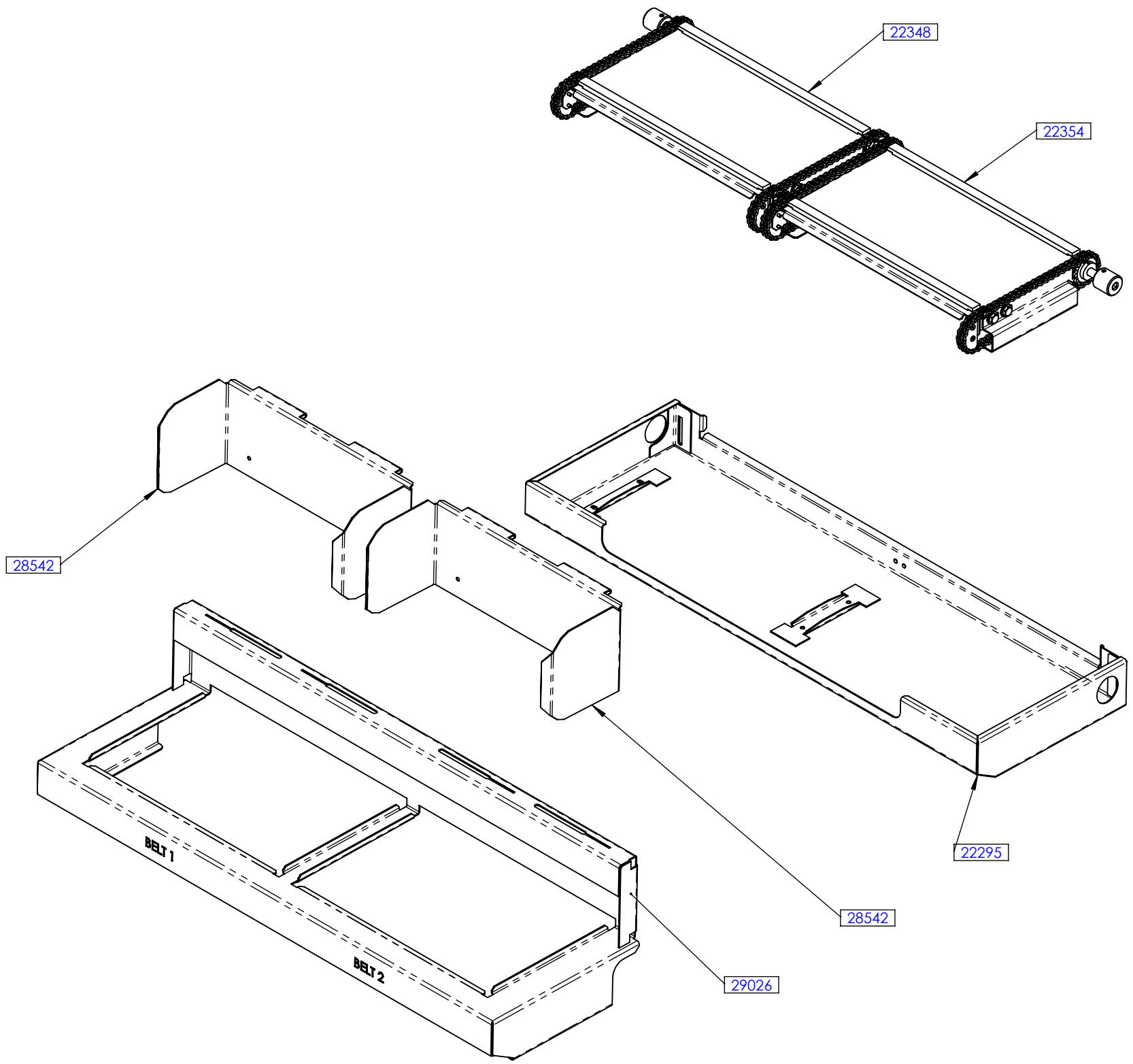
QTY.	PART #	DESCRIPTION	ITEM #
1	29026	COVER, FEEDER, DUAL 13" - FH	5
1	22354	DRIVE UNIT, PB, 13" BELT, JF, RIGHT - ASSY	4
1	22348	DRIVE UNIT, PB, 13" BELT, JF, LEFT - ASSY	3
1	22295	ENCLOSURE, DUAL 13" FEEDER, JF - WLDMT	2
2	28542	GUIDE, FEEDER LANE, 1/2", 13" BELT	1


UNLESS OTHERWISE SPECIFIED, DIMS ARE IN INCHES		DATE	NAME		(707) 284-7100 (707) 284-7430 FAX WINESBOR, CA 95492-8594	THIS DOCUMENT IS THE PROPERTY OF NIECO CORPORATION. REPRODUCTION OR RELEASE WITHOUT EXPRESS PERMISSION IS PROHIBITED.
TOLERANCES: FRACTIONAL: ±1/32 ANGULAR: ±1° TWO PLACE DECIMAL: ±.03 THREE PLACE DECIMAL: ±.01		7-19-18	MJ/SJ			
DRAWN				P/N: 27840		REV: D
SIMILAR TO		22846				
WEIGHT		29.55	LBS.			
TITLE: FEEDER PHA, 28.5, 13-13, PB-PB						
MATERIAL: SEE PARTS LIST		FINISH: BURR STANDARD CLASS "B"		SCALE: 1:4	SHEET 1 OF 2	

8 7 6 5 4 3 2 1

D
C
B
A

D
C
B
A



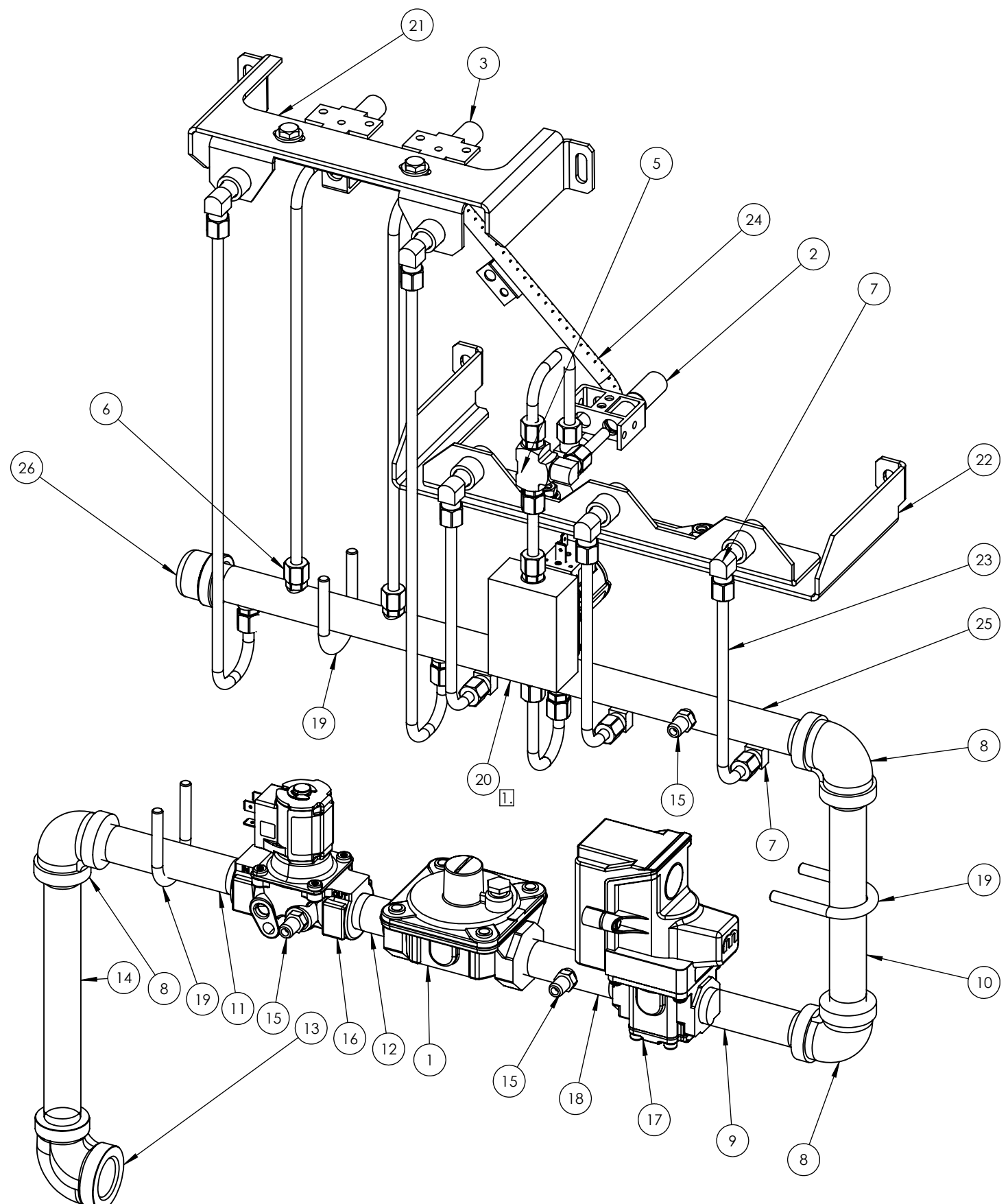
UNLESS OTHERWISE SPECIFIED, DIMS ARE IN INCHES		DATE	NAME		(707) 284-7100 (707) 284-7430 FAX WINDSOR, CA 95492-8594	THIS DOCUMENT IS THE PROPERTY OF NIECO CORPORATION. REPRODUCTION OR RELEASE WITHOUT EXPRESS PERMISSION IS PROHIBITED.
TOLERANCES: FRACTIONAL: $\pm 1/32$ ANGULAR: $\pm 1^\circ$ TWO PLACE DECIMAL: $\pm .03$ THREE PLACE DECIMAL: $\pm .01$		DRAWN	7-19-18			
		SIMILAR TO	22846		P/N :	REV:
		WEIGHT	29.55 LBS.		27840	D

TITLE: FEEDER PHA, 28.5, 13-13, PB-PB

MATERIAL: SEE PARTS LIST FINISH: BURR STANDARD CLASS "B" SCALE: 1:4 SHEET 2 OF 2


8 7 6 5 4 3 2 1

REVISIONS					
ECR	ZONE	REV.	DESCRIPTION	DATE	APPROVED
		A	INITIAL RELEASE	7-19-18	SJ
3570		B	BOM REWORKED, ADDED ZIP TUBE, TOP PIPE, SWAPPED ON/OFF VALVES, ADDED BUNDY TUBE	1/18/19	SJ/MJ
3623		C	ADDED 1X 27258	3-7-19	SJ
3671		D	REPLACED 5751 WITH 12191 REPLACED 5760-1 WITH 5763	8-12-19	SJ
3765		E	ADDED 3X 18096	2-25-20	SJ



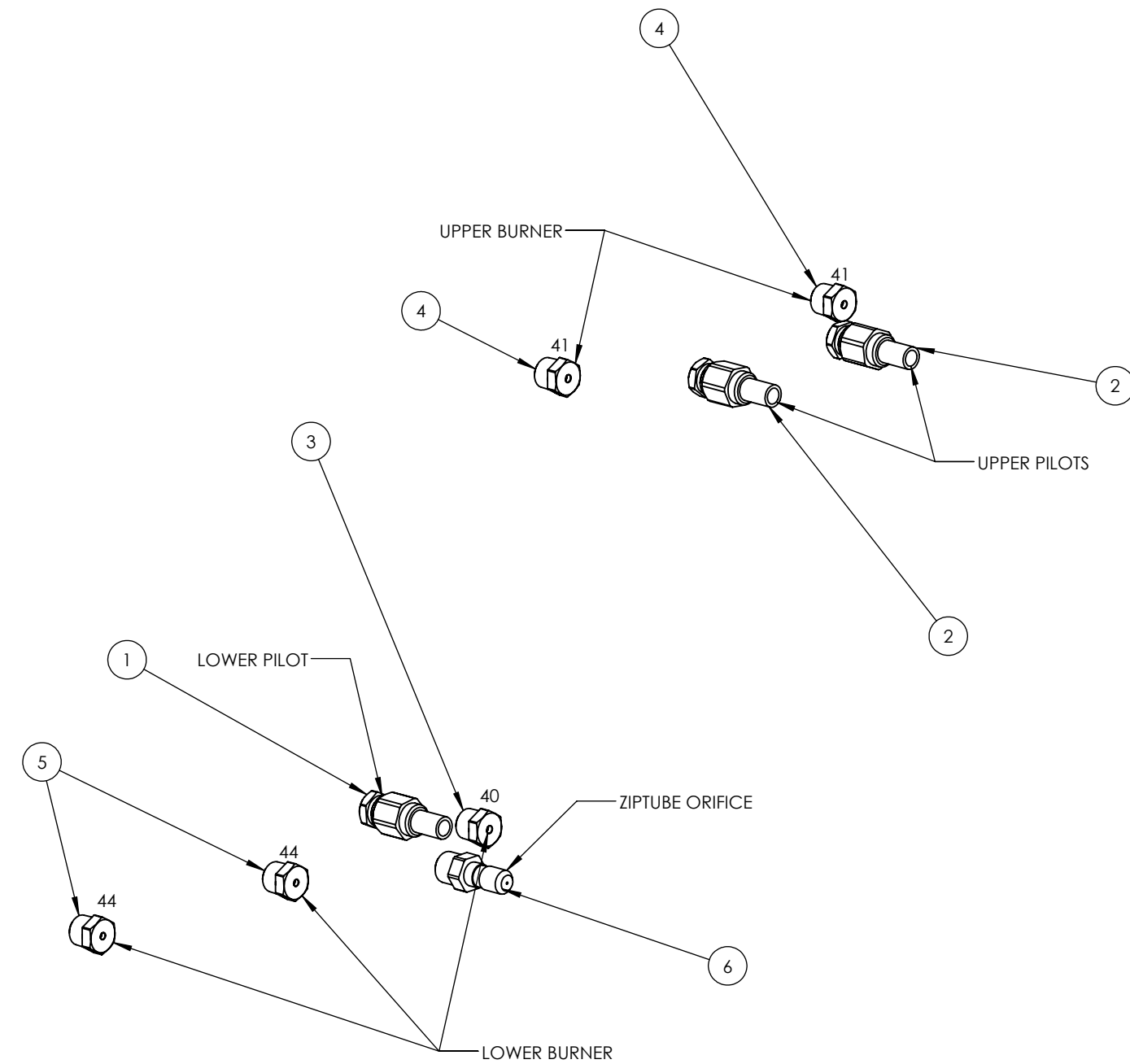
7.5' 18048

QTY.	PART #	DESCRIPTION	ITEM #
1	27974	PIPE, CAP, Ø.5, BLACK	26
1	27973	PIPE, NIPPLE, Ø½ X 16", 9 TAPS, SCH 40, BLACK	25
1	27971	ZIP TUBE, 8.44" LONG, BENT, SV - WLDMT	24
1	27970	BUNDYTUBE, CV, ASSY	23
1	27956	BRACKET, BOTTOM BURNER, ORIFICE - ASSY	22
1	27951	BRACKET, UPPER BURNER ORIFICE - ASSY	21
1	27301	SOLENOID VALVE, 1/8 NPT, 24VDC, PILOT	20
3	27258	U-BOLT, 1/4-20 X 1" X 1-3/4"	19
1	23533	PIPE, NIPPLE, 1/2" X 3-1/2", 1 TAP, SCH 40	18
1	21316	VALVE, MODULATING, 24V, ½"	17
1	19054	SOLENOID VALVE, 1/2 NPT, 24VAC	16
3	18096	VALVE, PRESSURE TAP	15
1	12191	PIPE, NIPPLE, Ø½ X 7.5", SCH 40, BLACK	14
1	5773	ELBOW, REDUCING, 3/4" X 1/2", 90°	13
1	5768	PIPE, NIPPLE, Ø½ X 2", SCH 40, BLACK	12
1	5763	PIPE, NIPPLE, Ø½ X 4½", SCH 40, BLACK	11
1	5760-1	PIPE, NIPPLE, Ø½ X 6½", SCH 40, BLACK	10
1	5759	PIPE, NIPPLE, Ø½ X 3½", SCH 40, BLACK	9
3	5757	PIPE, ELBOW, BLACK, Ø½", 90°, SCH 40, BLACK	8
9	5663	ELBOW, BRASS, MALE (69 X 4)	7
11	5662	CONNECTOR, BRASS MALE (68 X 4)	6
1	5658	TEE, BRASS, FEMALE, 1/8"	5
1	5654	ELBOW, BRASS FEMALE, (70 X 4)	4
2	2180	BURNER, PILOT #J994MDA-2H	3
1	2179	BURNER, PILOT #J129DDA	2
1	2049-A	REGULATOR, RV48, 1/2"	1
QTY.	PART #	DESCRIPTION	ITEM #

UNLESS OTHERWISE SPECIFIED, DIMS ARE IN INCHES TOLERANCES: FRACTIONAL: ±1/32 ANGULAR: ±1° TWO PLACE DECIMAL: ±.03 THREE PLACE DECIMAL: ±.01	DATE	NAME	 <small>(707) 284-7100 (707) 284-7430 FAX WINESBOR, CA 95492-8594</small>	THIS DOCUMENT IS THE PROPERTY OF NIECO CORPORATION. REPRODUCTION OR RELEASE WITHOUT EXPRESS PERMISSION IS PROHIBITED.	
	DRAWN	7-19-18			MJ/SJ
	SIMILAR TO	27275			
WEIGHT	12.59	LBS.	P/N: 27841	REV: E	


TITLE: MANIFOLD PHA, L-R, FH				
MATERIAL: SEE PARTS LIST	FINISH: BURR STANDARD CLASS "B"	SCALE: 1:8	SHEET 1 OF 1	

REVISIONS					
ECR	ZONE	REV.	DESCRIPTION	DATE	APPROVED
		A	INITIAL RELEASE	3-7-19	SJ
3669		B	REMOVED 1X 2070-40, 2014 ADDED 2X 14041	7-2-19	SJ
3671		C	CHANGED TO FLAT TIP ORIFICES	7-8-19	SJ
3841		D	REMOVE 2182 ADD 2018	9-15-20	JP



QTY.	PART #	DESCRIPTION	ITEM #
1	22930	ORIFICE, ZIP TUBE, #70	6
2	18144	ORIFICE, 1/8-27, FLAT TIP, #44	5
2	18141	ORIFICE, 1/8-27, FLAT TIP, #41	4
1	18140	ORIFICE, 1/8-27, FLAT TIP, #40	3
2	2018	ORIFICE, PILOT, NAT GAS (3223)	2
1	2047	ORIFICE, PILOT TOWN GAS (5232)	1

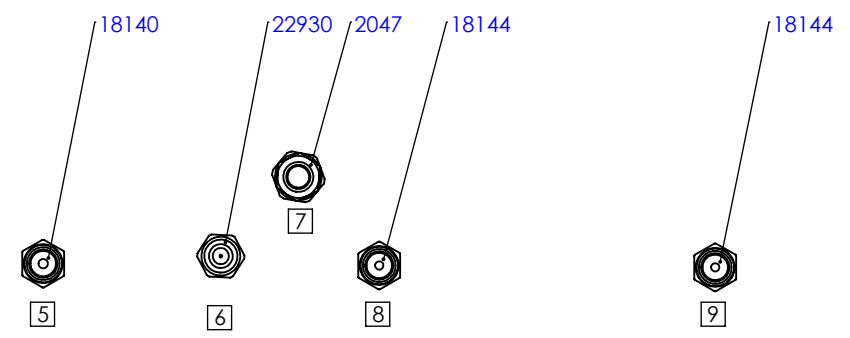
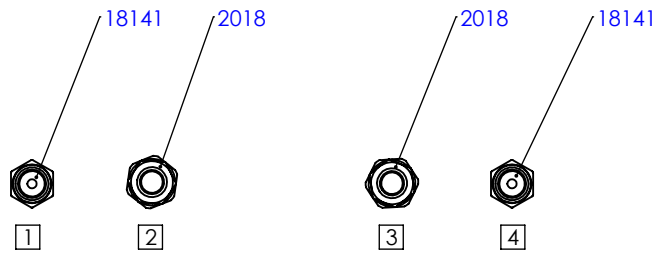
NOTE:
 1. MINIMUM BEND RADIUS
 2. ALL HOLE DIAMETERS ±.005
 3. INCLUDE DRAWING IN PARTS SHIPMENT.

UNLESS OTHERWISE SPECIFIED, DIMS ARE IN INCHES		DATE	NAME	 <small>(707) 284-7100 (707) 284-7430 FAX WINDSOR, CA 95492-8594</small>	<small>THIS DOCUMENT IS THE PROPERTY OF NIECO CORPORATION. REPRODUCTION OR RELEASE WITHOUT EXPRESS PERMISSION IS PROHIBITED.</small>	
TOLERANCES: FRACTIONAL: ±1/32 ANGULAR: ±1° TWO PLACE DECIMAL: ±.03 THREE PLACE DECIMAL: ±.01		DRAWN	3-7-19			SJ
		SIMILAR TO	-			
		WEIGHT	0.22	LBS.		
P/N: 27843				REV: D		
TITLE: ORIFICE PHA, 28.5, NG, FH						
MATERIAL: SEE PARTS LIST		FINISH: BURR STANDARD CLASS "B"		SCALE: 1:4	SHEET 1 OF 2	

8 7 6 5 4 3 2 1

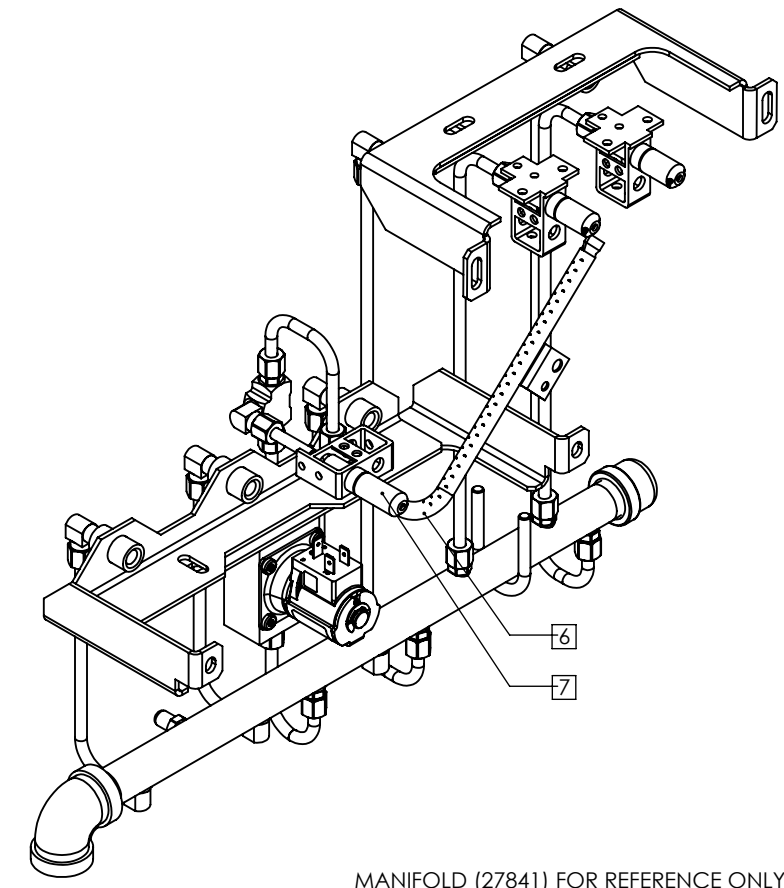
D

D



C

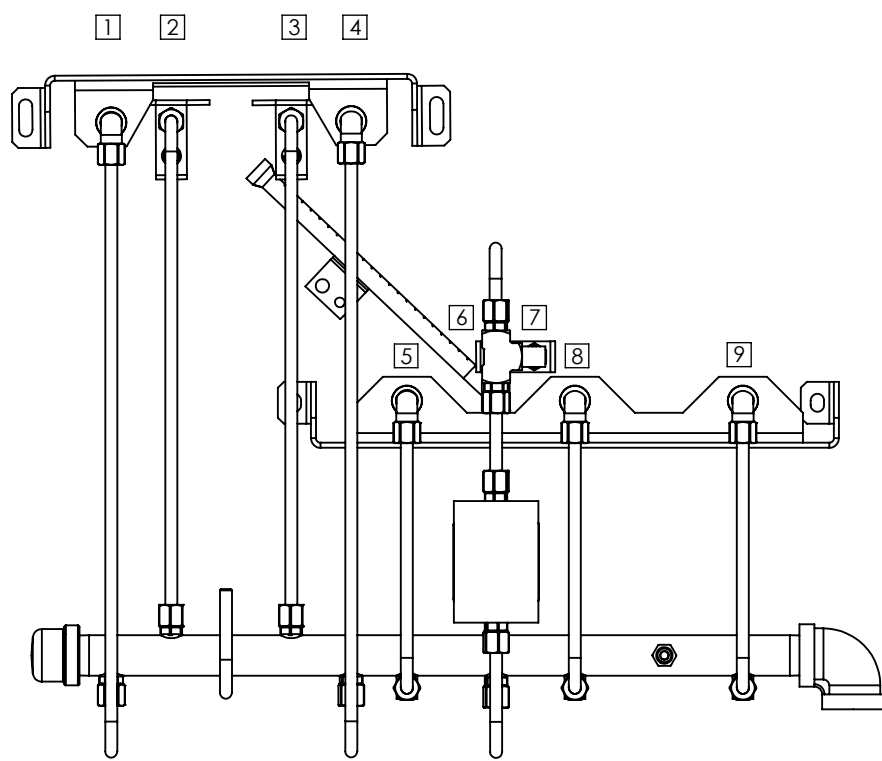
C



MANIFOLD (27841) FOR REFERENCE ONLY

B

B




MANIFOLD (27841) FOR REFERENCE ONLY

A

A

8 7 6 5 4 3 2 1

UNLESS OTHERWISE SPECIFIED, DIMS ARE IN INCHES TOLERANCES: FRACTIONAL: $\pm 1/32$ ANGULAR: $\pm 1^\circ$ TWO PLACE DECIMAL: $\pm .03$ THREE PLACE DECIMAL: $\pm .01$	DATE	NAME	 (707) 284-7100 (707) 284-7430 FAX WINDSOR, CA 95492-8594	THIS DOCUMENT IS THE PROPERTY OF NIECO CORPORATION. REPRODUCTION OR RELEASE WITHOUT EXPRESS PERMISSION IS PROHIBITED.	
	DRAWN	3-7-19			SJ
	SIMILAR TO	-			
WEIGHT	0.22	LBS.	P/N : 27843	REV: D	

TITLE: ORIFICE PHA, 28.5, NG, FH

MATERIAL: SEE PARTS LIST FINISH: BURR STANDARD CLASS "B" SCALE: 1:4 SHEET 2 OF 2