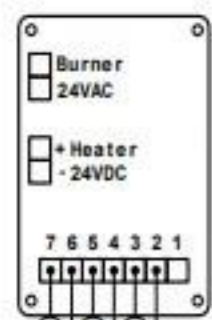


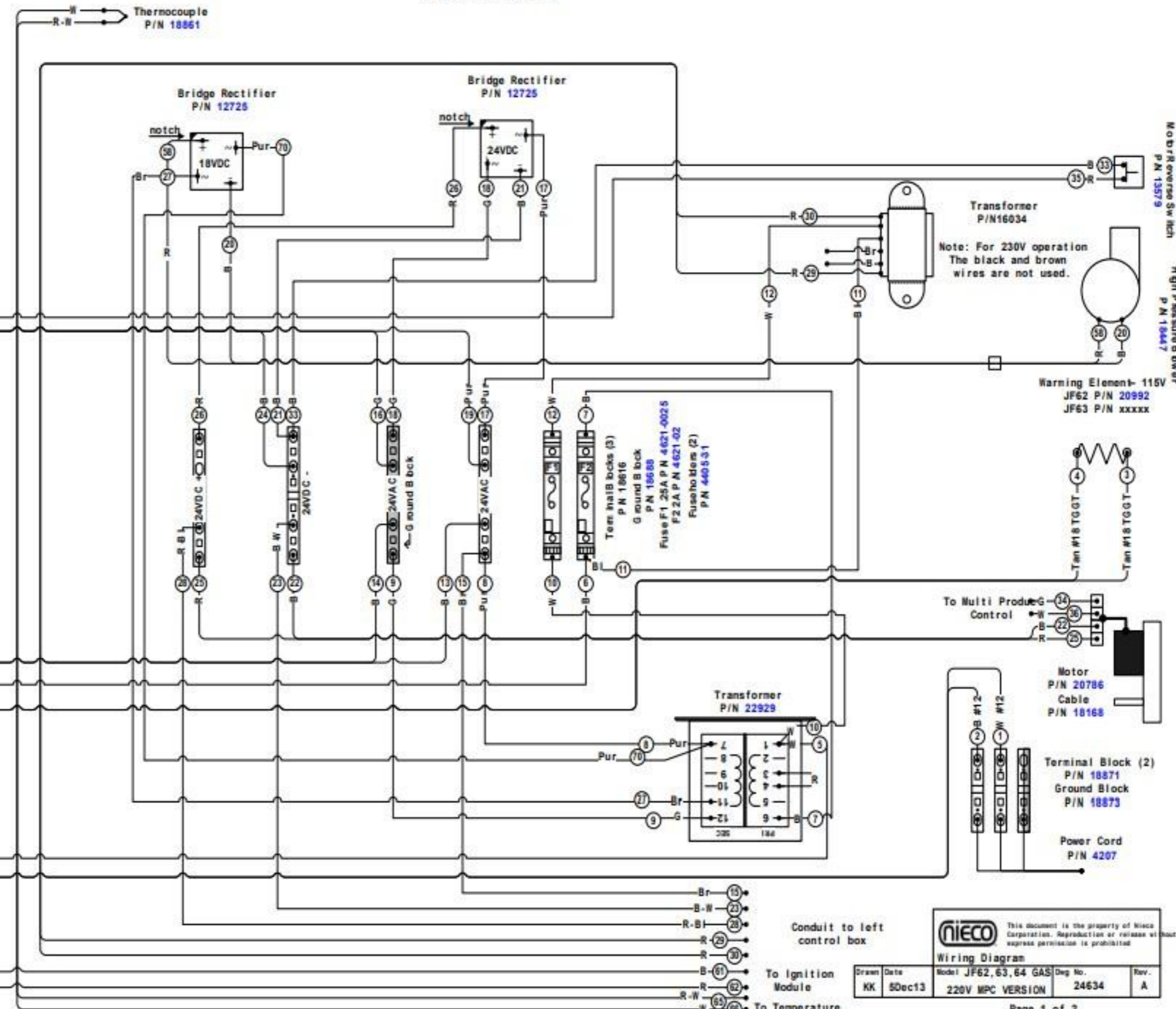
Right Side Control Box Feed End

Multi-Product Control
P/N 15161-B

Control Settings:
B = 36
C = 410
TLL = 1:00
THH = 7:00
DIR = L



Motor Cable



Motor Reverser Sw. Ichn P/N 13579

High Pressure Blower P/N 18447

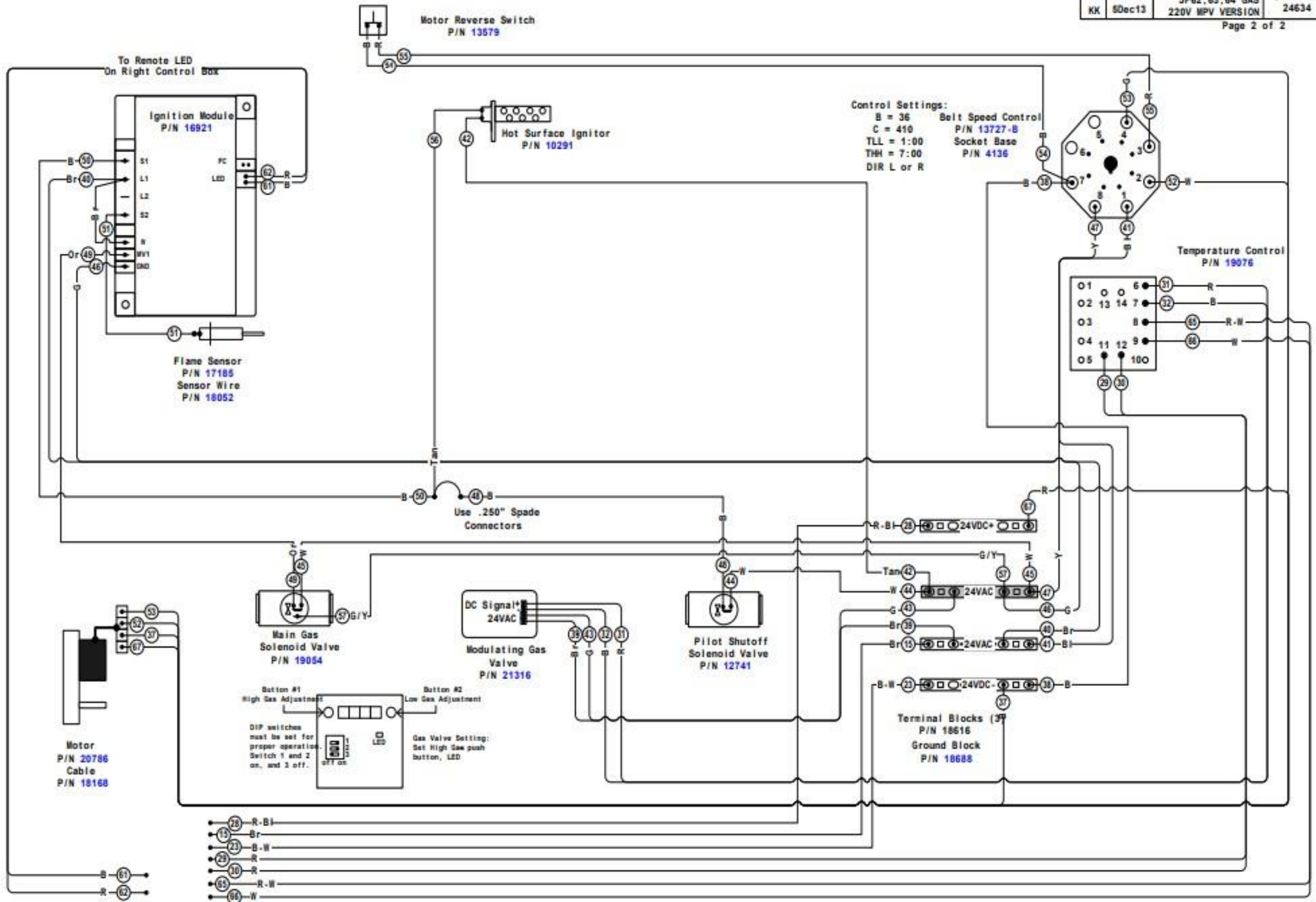
nieco This document is the property of Nieco Corporation. Reproduction or release without express permission is prohibited.

Drawn	Date	Model	Part No.	Rev.
KK	50Dec13	220V MPC VERSION	24634	A

Left Side Control Box

Wiring Diagram

Drawn	Date	Model	Dev. No.	Rev.
KK	5Dec13	JF62, 63, 64 GAS 220V MPV VERSION	24634	A



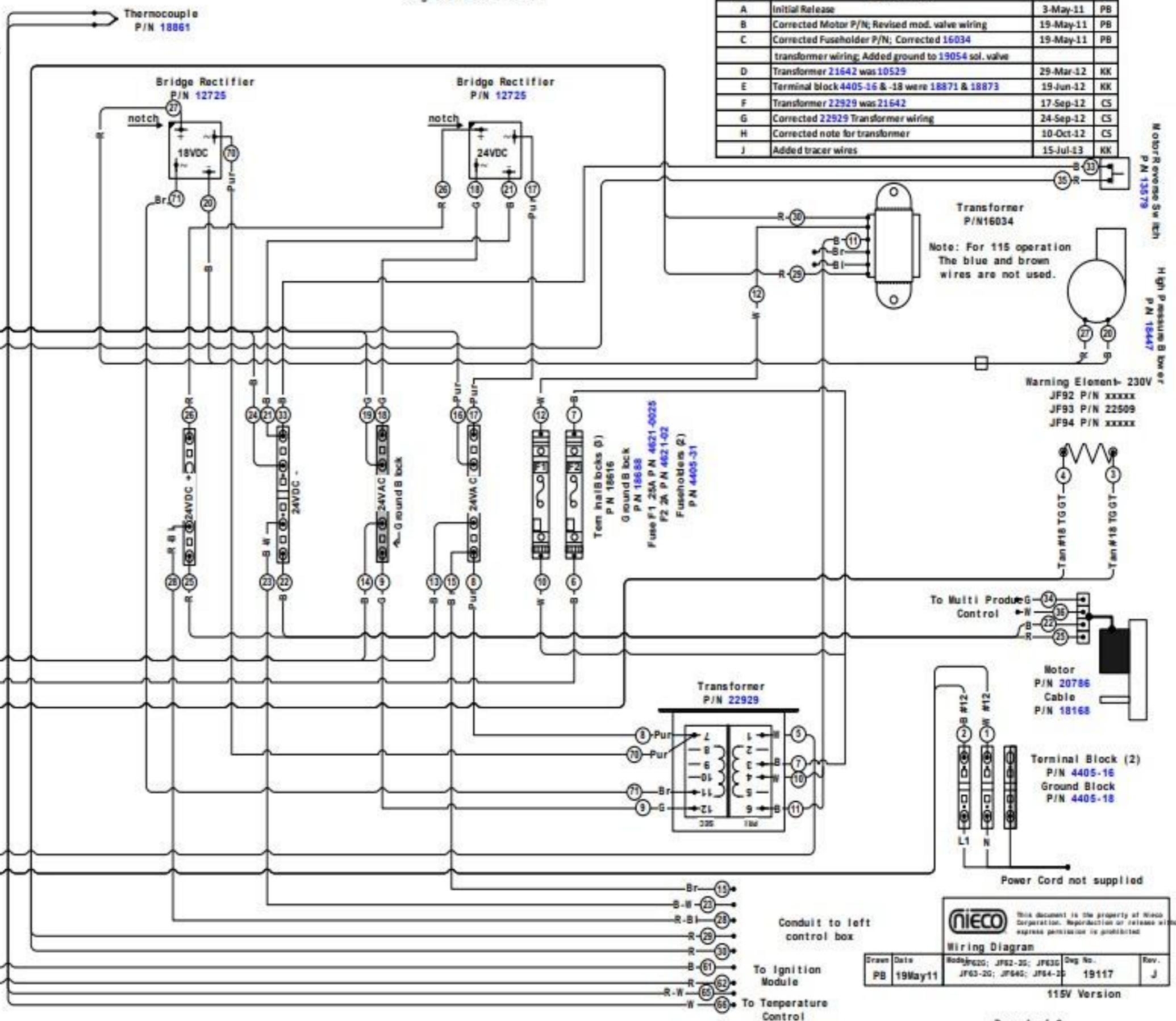
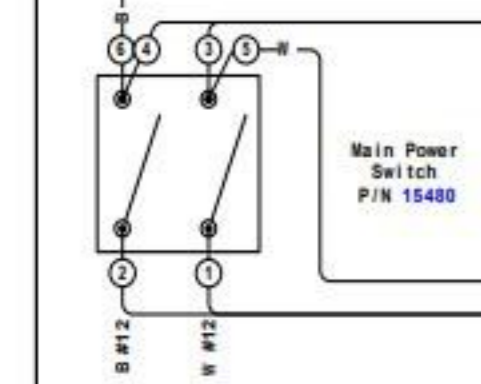
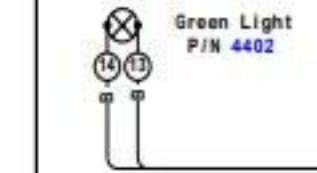
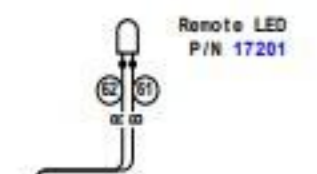
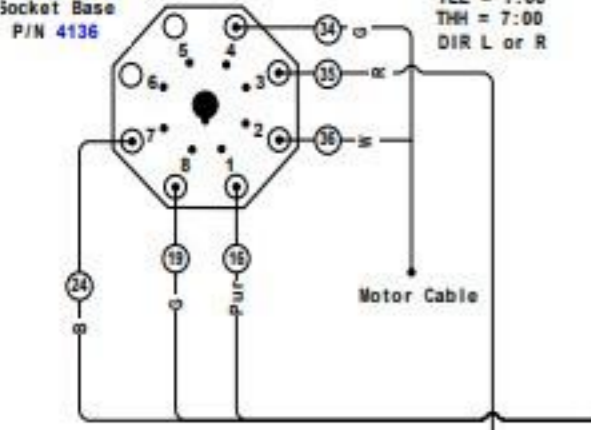
Right Side Control Box

REV.	DESCRIPTION	DATE	BY
A	Initial Release	3-May-11	PB
B	Corrected Motor P/N; Revised mod. valve wiring	19-May-11	PB
C	Corrected Fuseholder P/N; Corrected 16034 transformer wiring; Added ground to 19054 sol. valve	19-May-11	PB
D	Transformer 21642 was 10529	29-Mar-12	KK
E	Terminal block 4405-16 & -18 were 18871 & 18873	19-Jun-12	KK
F	Transformer 22929 was 21642	17-Sep-12	CS
G	Corrected 22929 transformer wiring	24-Sep-12	CS
H	Corrected note for transformer	10-Oct-12	CS
J	Added tracer wires	15-Jul-13	KK

Right Side Control Box

1 Speed Control
P/N 13727-B
Socket Base
P/N 4136

Control Settings:
B = 36
C = 410
TLL = 1:00
THH = 7:00
DIR L or R



Transformer P/N16034
Note: For 115 operation
The blue and brown
wires are not used.

Warning Element- 230V
JF92 P/N xxxxxx
JF93 P/N 22509
JF94 P/N xxxxxx

Motor
P/N 20786
Cable
P/N 18168

Terminal Block (2)
P/N 4405-16
Ground Block
P/N 4405-18

Power Cord not supplied

Conduit to left control box

To Ignition Module
To Temperature Control

niECO This document is the property of Nieco Corporation. Reproduction or release without express permission is prohibited.

Wiring Diagram

Drawn	Date	Mod/Rev	App No.	Rev.
PB	19May11	JF62-20; JF63-20; JF63-20; JF64-20; JF64-20	19117	J

115V Version

Left Side Control Box

Wiring Diagram

Drawn	Date	Model	Rev. No.	Rev.
PB	19MAY11	JF620; JF62-20; JF630; JF63-20; JF640; JF64-20	19117	J

