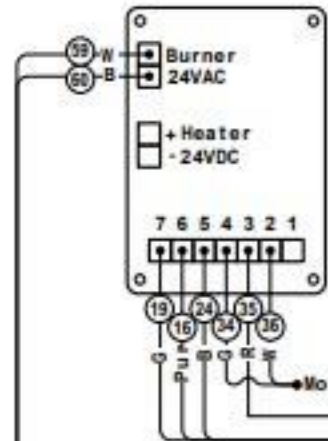


Right Side Control Box

REV.	DESCRIPTION	DATE	BY
A	Initial Release	1-Nov-11	PB
B	Revised main transformer, added	1-Mar-12	KK
C	Relay 18093 was 18094	2-Aug-12	KK

Right Side Control Box

Multi-Product Control
P/N 15161-B
Control Settings:
B = 36
C = 410
TLL = 1:00
THH = 7:00
DIR = L



Thermocouple P/N 18861

Bridge Rectifier P/N 12725

Bridge Rectifier P/N 12725

Transformer P/N16034

Note: For 115V operation The blue and brown wires are not used.

Warning Element- 115V
JF92 P/N 20992
JF93 P/N 22510
JF94 P/N XXXXX

Transformer P/N 22929

Terminal Block (2)
P/N 4405-16
Ground Block
P/N 4405-18

Power Cord P/N 4207

Conduit to left control box

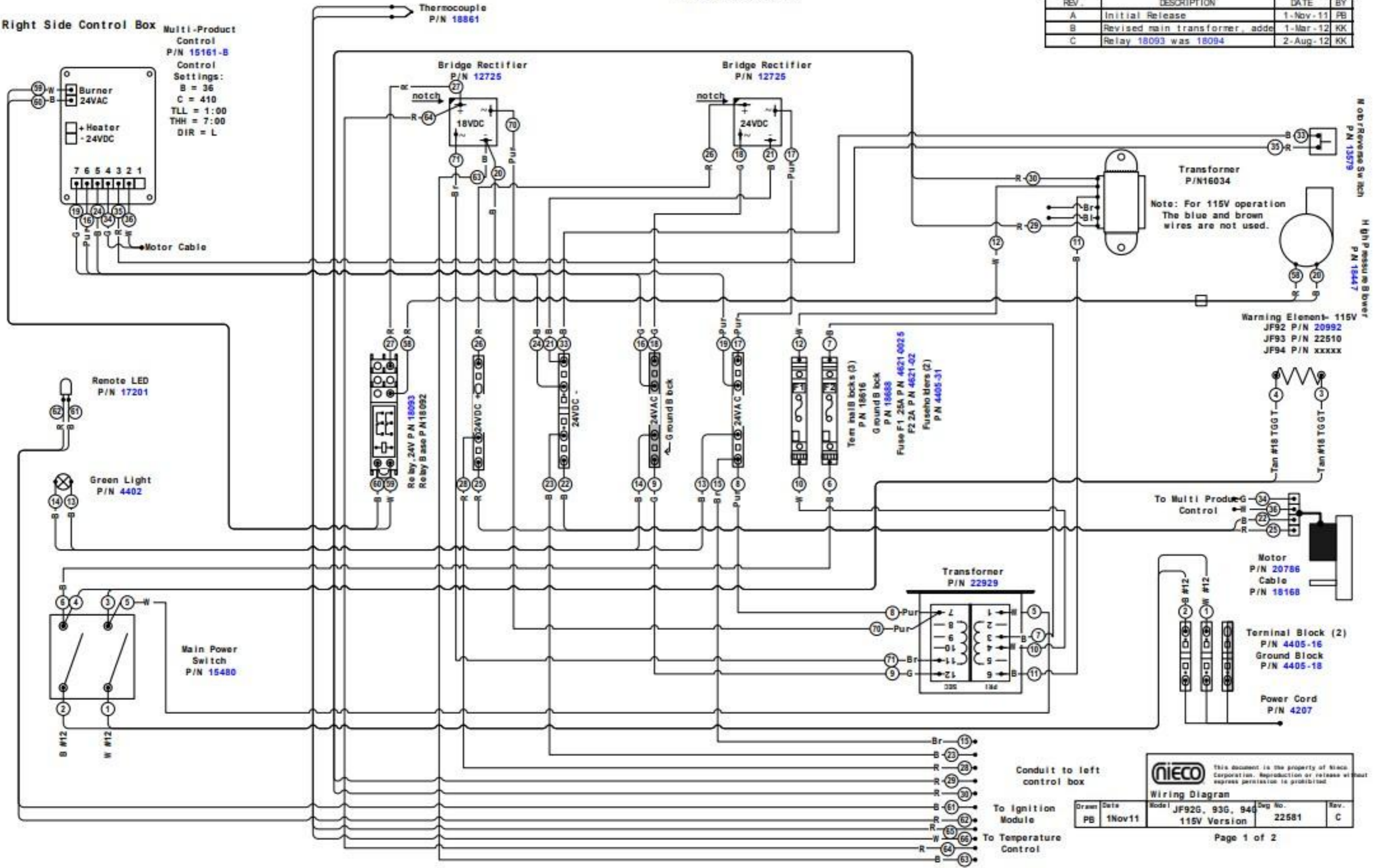
To Ignition Module

To Temperature Control

nioco This document is the property of Nioco Corporation. Reproduction or release without express permission is prohibited.

Wiring Diagram

Drawn	Date	Model	Dep No.	Rev.
PB	1Nov11	JF92G, 93G, 94G 115V Version	22581	C

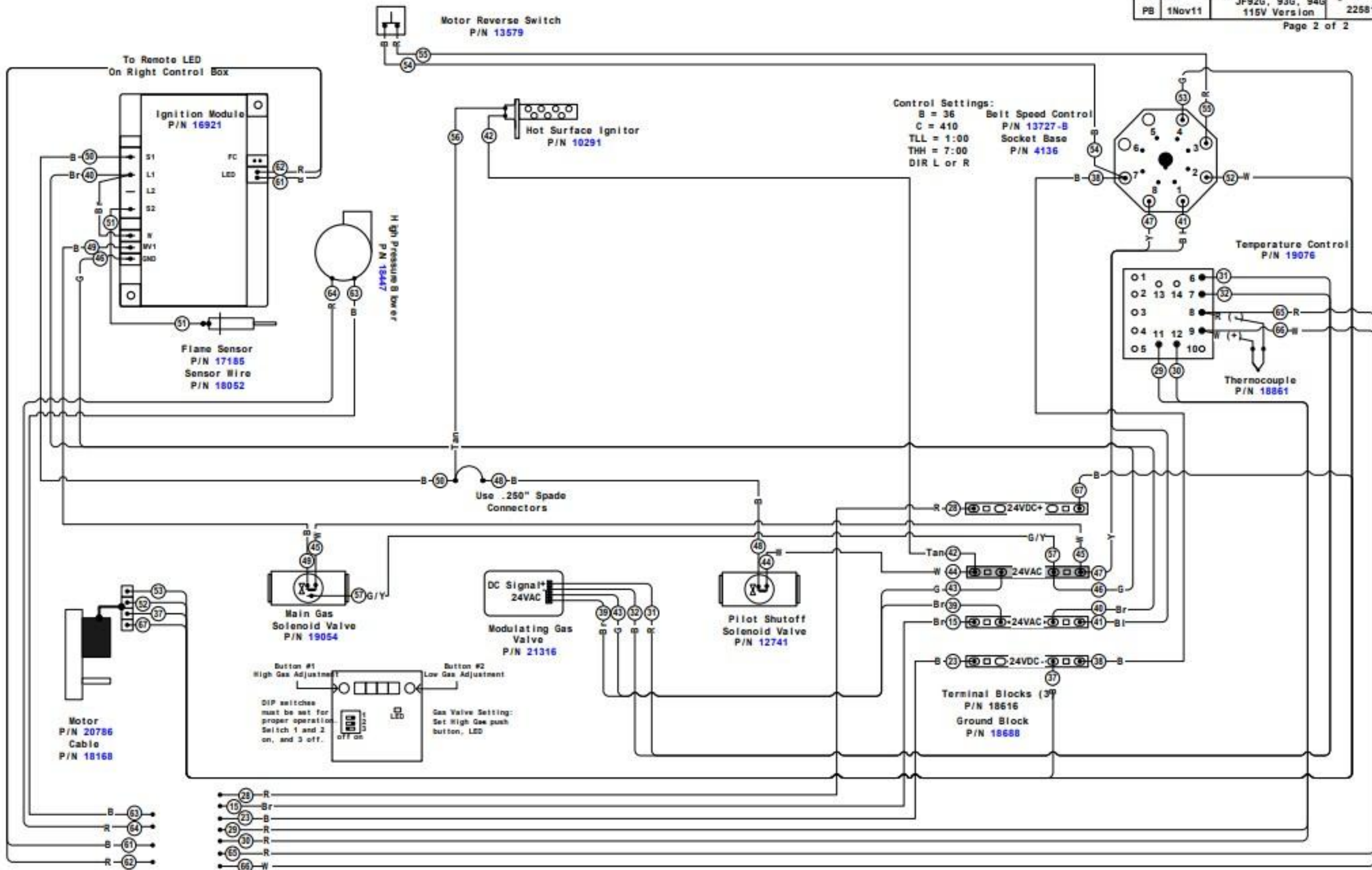


Note Reverse Sw. Ichn P/N 13579
 High Pressure Power P/N 18447

Left Side Control Box

Wiring Diagram

Drawn	Date	Model	Rev. No.	Rev.
PB	1Nov11	JF92G, 93G, 94G 115V Version	22581	C

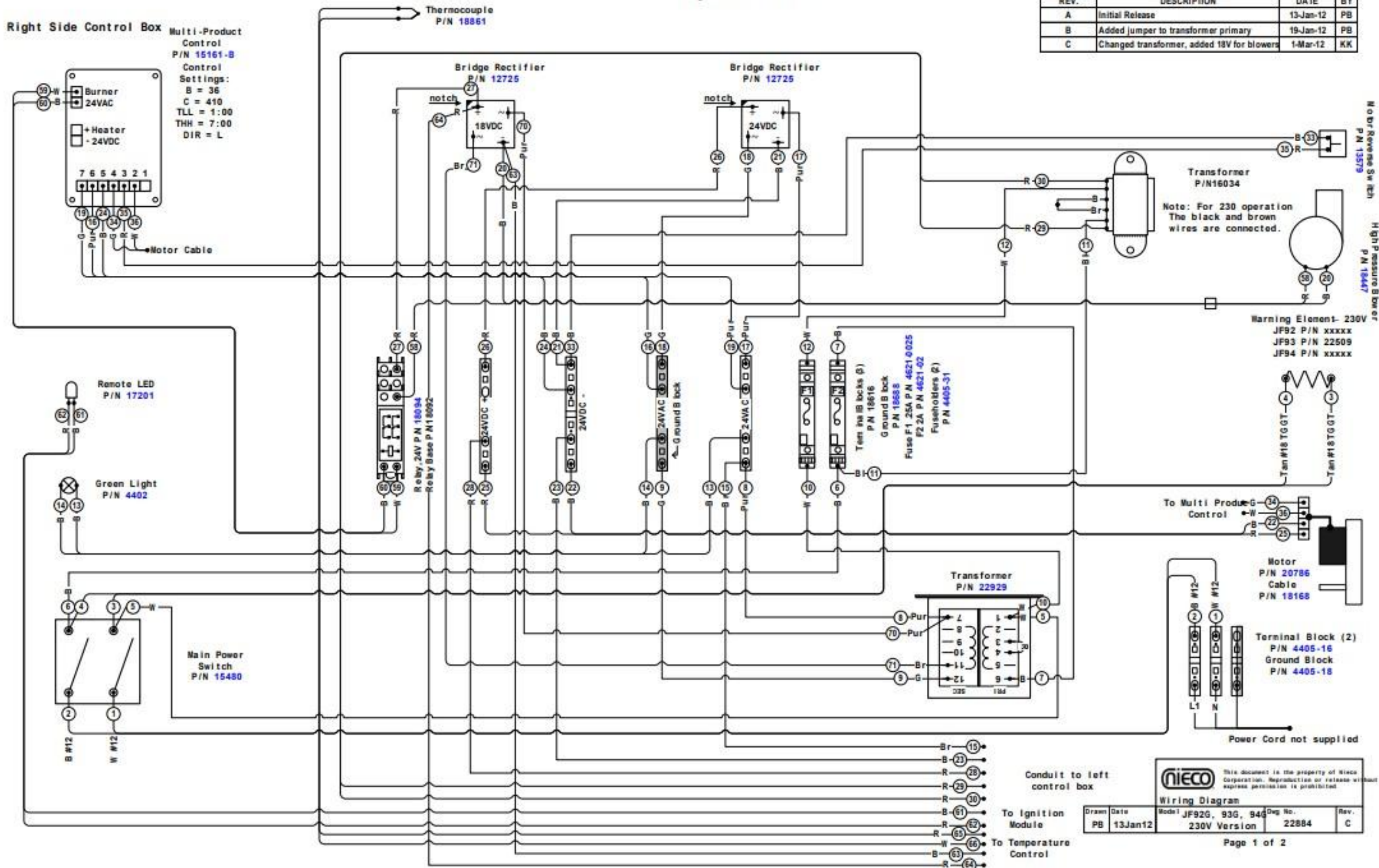


Right Side Control Box

REV.	DESCRIPTION	DATE	BY
A	Initial Release	13-Jan-12	PB
B	Added jumper to transformer primary	19-Jan-12	PB
C	Changed transformer, added 18V for blowers	1-Mar-12	KK

Right Side Control Box

Multi-Product Control
P/N 15161-B
Control Settings:
B = 36
C = 410
TLL = 1:00
THH = 7:00
DIR = L



niECO This document is the property of Nieco Corporation. Reproduction or release without express permission is prohibited.

Wiring Diagram

Drawn	Date	Model	Dwg No.	Rev.
PB	13Jan12	JF92G, 93G, 94G	22884	C

230V Version

Left Side Control Box

Wiring Diagram

Drawn	Date	Model	Part No.	Rev.
PB	13 Jan 12	JF92G, 93G, 94G	22884	C

