



FOOD EQUIPMENT

Operating and Maintenance Instructions

Model series

6155-24 6155-36 6155-48 6155-60 6155-72

6155-24-SL, 6155-36-SL, 6155-48-SL, 6155-60-SL, 6155-72-SL

6155-24-D, 6155-36-D, 6155-48-D, 6155-60-D, 6155-72-D

6155-24-DL, 6155-36-DL, 6155-48-DL-208, 6155-60-DL-208, 6155-72-DL-208

ALTERNATE VOLTAGES: 208V/240V

INTRODUCTION

1. Please read instructions before using this appliance.
2. When using this appliance, basic precautions should always be followed to reduce the risk of fire, electric shock and injury.
3. Clean machine thoroughly before and after all uses following cleaning instructions below.

ELECTRICAL REQUIREMENTS

1. Wire warmer into a grounded circuit with correct voltage and sufficient power capacity. Refer to the product label (serial plate) on the warmer for voltage and wattage requirements.
2. **All electrical connections must be made according to local codes by a licensed electrician.**

SAFETY INSTRUCTIONS

1. **Warning!** All power must be disconnected at power source before any service procedure is performed.
2. This appliance is hot when in use. To avoid burns, do not let bare skin touch hot surfaces. Keep combustible materials, such as drapes and other furnishings, away from appliance.
3. Extreme caution is necessary when any appliance is used by or near children and whenever the appliance is left unattended.
4. Always turn the power off at the circuit breaker before cleaning, adjusting or maintaining this machine.
5. Do not operate any appliance after it malfunctions, has been dropped, or damaged. Return appliance to an authorized service facility for examination, electrical or mechanical adjustment, or repair.
6. Do not use outdoors. This appliance is not intended for use in wet or moist locations. Never locate appliance where it may fall into water.
7. To prevent a possible fire, it is recommended that the unit is installed above a non-combustible surface.
8. This appliance has electrical parts. Do not use it in areas where gasoline, paint, or flammable liquids are used or stored.

INSTALLATION

1. All 6155 models should be wired per **ELECTRICAL REQUIREMENTS** above.
2. Use MOUNTING BRACKET supplied with the warmer. Install with the following clearances: 9" min. between end of unit and any wall, 12" min. between side of unit and any wall, 16" min. between bottom of unit and counter, and 1 7/8" min. between top of unit and overhead surface.
3. This unit radiates heat when in use therefore we recommend that the unit be installed above a non-combustible surface.
4. A wire leg stand (part number 66099) is available for counter use.
5. Use Only Copper Wire suitable for 90° C (194° F).
6. If warmer fails to work properly when first operated call NEMCO customer service at 1-800-782-6761.

OPERATION

1. Place food products in a pan located directly under the warmer for best results.
2. Turn warmer off when not in use.

CLEANING

NOTE: Proper maintenance plays an important part in the life span and functioning of the warmer.

1. Turn warmer off before cleaning.
2. Do not immerse in water or other liquid. Avoid splashing water into unit.
3. The housing and reflectors are made of anodized aluminum and aluminized steel, which can be kept clean by use of a damp sponge and soap solution.

TROUBLESHOOTING

No Heat	Check that power switch is turned "ON".
	Check power at heater.
Unit Blows Fuse or Circuit Breaker	Check to make sure circuit is not overloaded.

SPECIFICATIONS

MODEL	VOLTAGE	WATTS
6155-24	120	500
6155-24-208	208	500
6155-24	240	500
6155-36	120	850
6155-36-208	208	850
6155-36-240	240	850
6155-48	120	1100
6155-48-208	208	1100
615-48-240	240	1100
6155-60	120	1400
6155-60-208	208	1400
6155-60-240	240	1400
6155-72	120	1725
6155-72-208	208	1725
6155-72-240	240	1725
6155-24-D	120	1000
6155-24-D-208	208	1000
6155-24-D-240	240	1000
6155-36-D	120	1700
6155-36-D-208	208	1700
6155-36-D-240	240	1700
6155-48-D-208	208	2200
6155-48-D-240	240	2200
6155-60-D-208	208	2800
6155-60-D-240	240	2800
6155-72-D-208	208	3450
6155-72-D-240	240	3450
6155-24-SL	120	580
6155-24-SL-208	208	580
6155-24-SL-240	240	580
6155-36-SL	120	930
6155-36-SL-208	208	930
6155-36-SL-240	240	930
6155-48-SL	120	1220
6155-48-SL-208	208	1220
6155-48-SL-240	240	1220
6155-60-SL	120	1560
6155-60-SL-208	208	1560
6155-60-SL-240	240	1560
6155-72-SL	120	1885
6155-72-SL-208	208	1885
6155-72-SL-240	240	1885
6155-24-DL	120	1080
6155-24-DL-208	208	1080
6155-24-DL-240	240	1080
6155-36-DL	120	1780
6155-36-DL-208	208	1780
6155-36-DL-240	240	1780
6155-48-DL-208	208	2320
6155-48-DL-240	240	2320
6155-60-DL-208	208	2960
6155-60-DL-240	240	2960
6155-72-DL-208	208	3610
6155-72-DL-240	240	3610



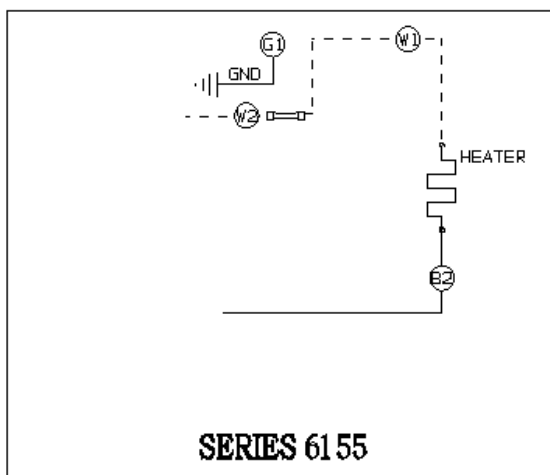
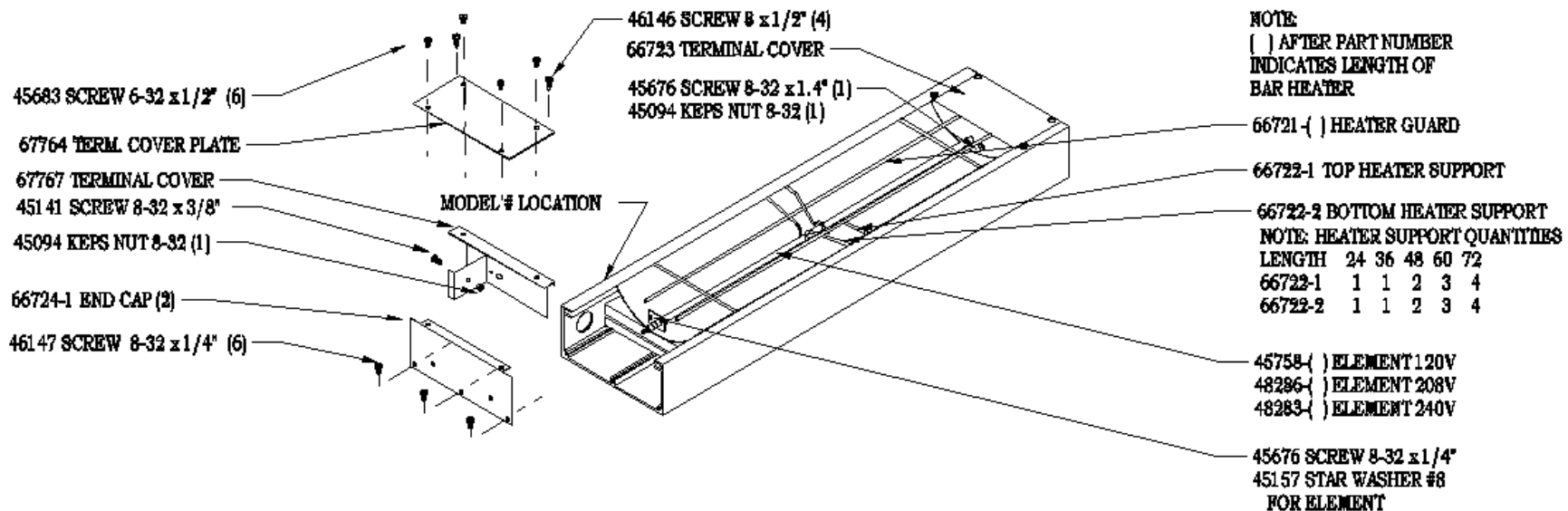
NEMCO FOOD EQUIPMENT 301 Meuse Argonne, Hicksville, OH 43526
 Phone: (419) 542-7751 Fax: (419) 542-6690 Toll free: 1-800-782-6761
www.nemcofoodequip.com



45818-R
2-5-2021

PARTS DRAWING AND WIRING DIAGRAMS FOR 6155-() STRIP HEATERS

NOTE: STRIP HEATER IS SHOWN UPSIDE DOWN



FOLLOWING NOT SHOWN
66014 HANGER BRACKET (2)
45683 SCREW 6-32 x 1/2" (4)
46351 ROMEX CONNECTOR
45787 WIRE NUT (3)

WIRE SCHEMATICS

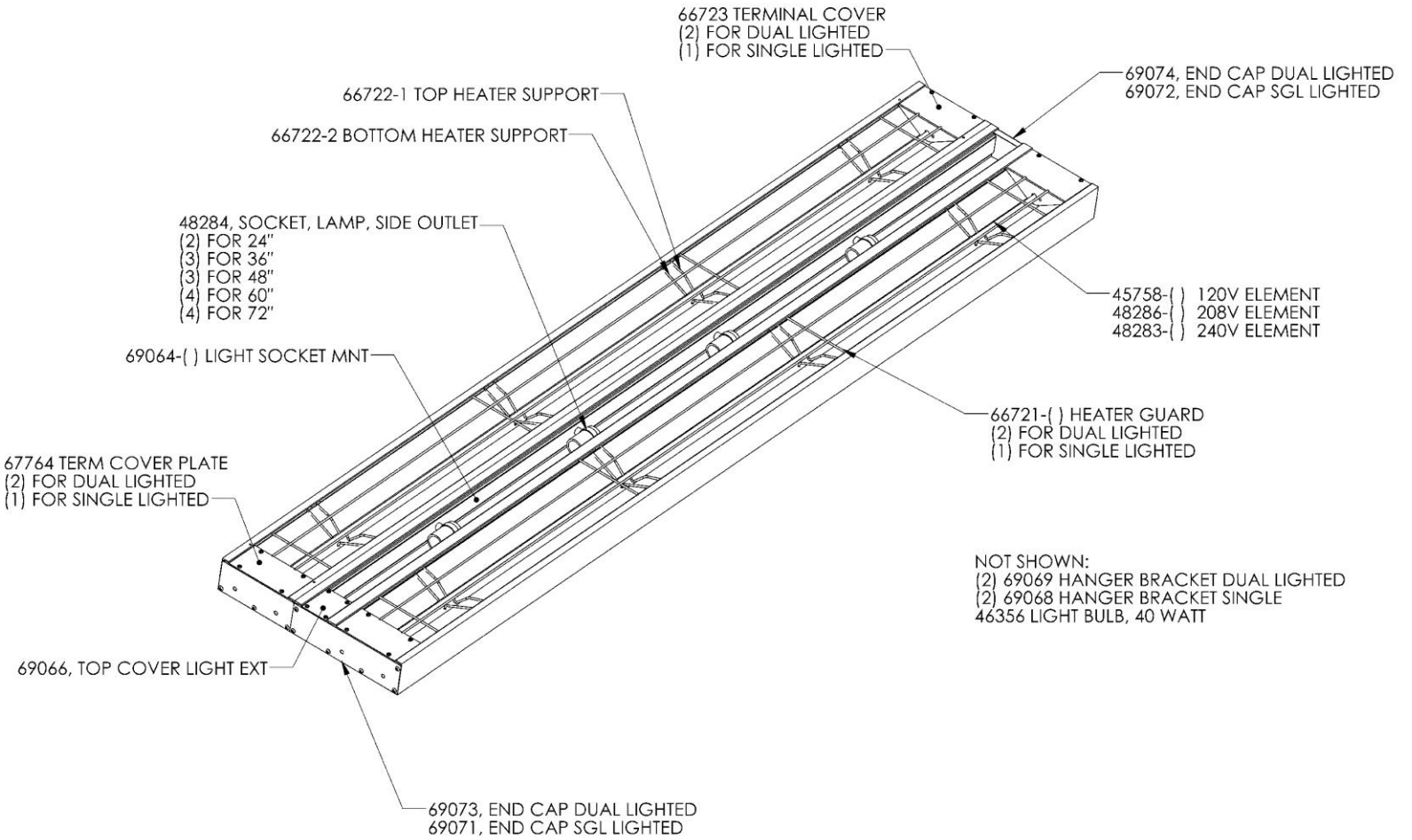


NEMCO FOOD EQUIPMENT
Phone: (419) 542-7751

www.nemcofoodequip.com

301 Meuse Argonne, Hicksville, OH 43526
Fax: (419) 542-6690 Toll free: 1-800-782-6761





NOTE: 6155 SERIES DOES NOT HAVE TOGGLE SWITCH OR PILOT LIGHT. FOR LIGHTED MODELS, THE LIGHT BULBS ARE 120V. A BRANCH CIRCUIT IS PROVIDED. PLEASE KEEP WHITE AND GREEN WIRES CONNECTED AS



NEMCO FOOD EQUIPMENT
Phone: (419) 542-7751

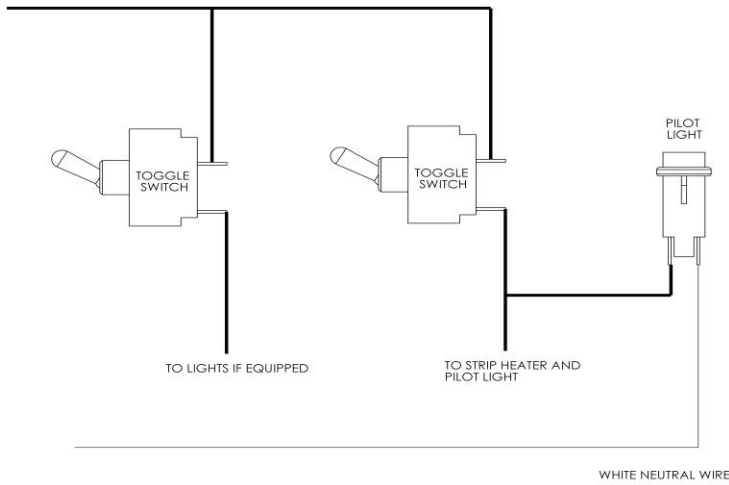
www.nemcofoodequip.com

301 Meuse Argonne, Hicksville, OH 43526
Fax: (419) 542-6690 Toll free: 1-800-782-6761

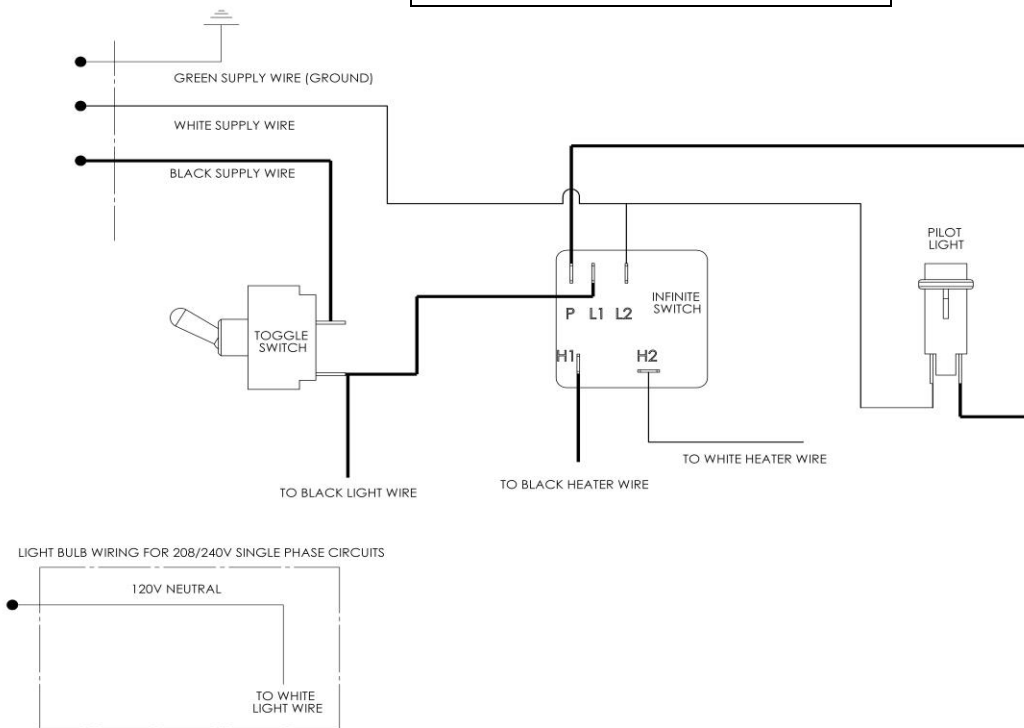


45818-R
2-5-2021

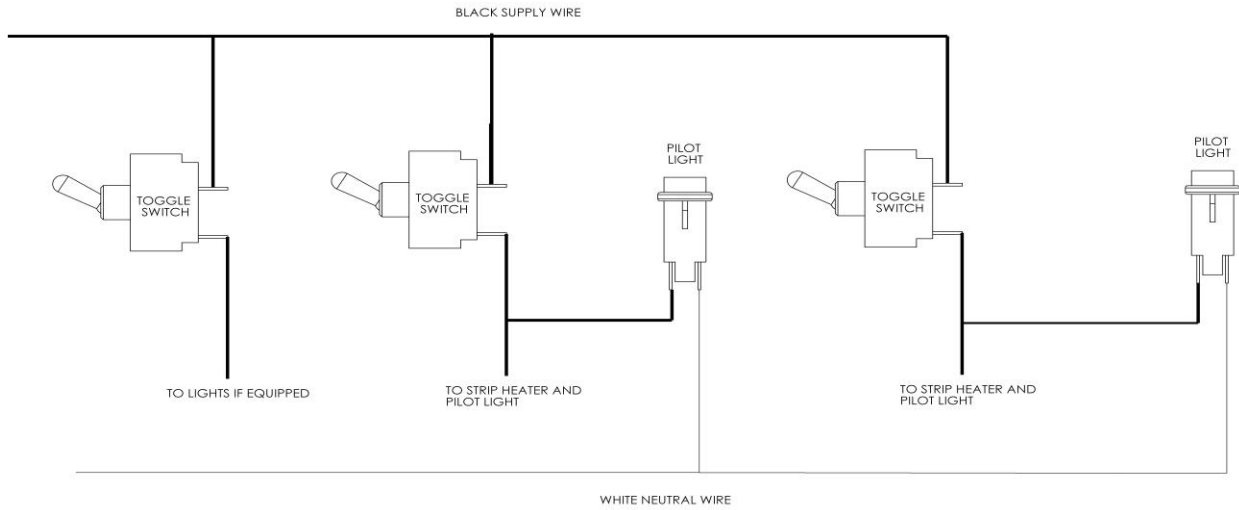
SINGLE WITH TOGGLE SWITCH



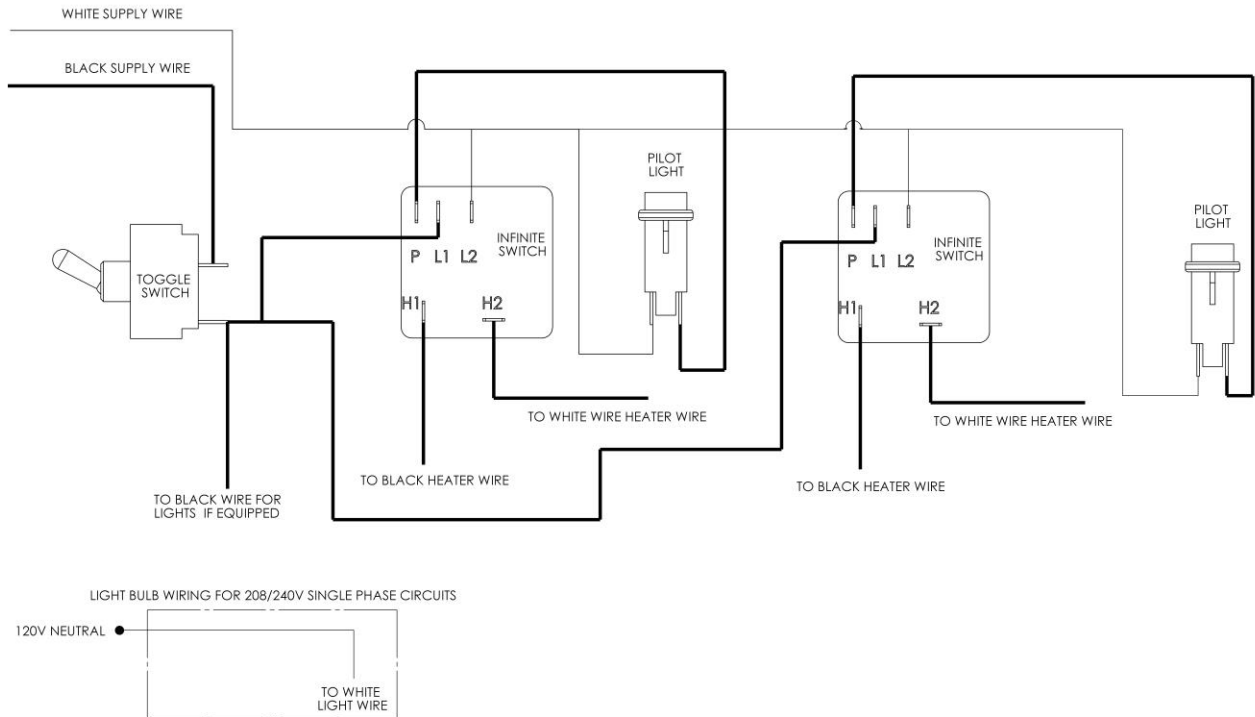
SINGLE WITH INFINITE CONTROL



DUAL WITH TOGGLE CONTROL



DUAL WITH INFINITE CONTROL



NEMCO FOOD EQUIPMENT 301 Meuse Argonne, Hicksville, OH 43526
 Phone: (419) 542-7751 Fax: (419) 542-6690 Toll free: 1-800-782-6761
www.nemcofoodequip.com



45818-R
 2-5-2021