



**PRETZEL WARMER**  
**Model Series: 6403**  
**OPERATING INSTRUCTIONS**

**INTRODUCTION**

1. Please read instructions before using this appliance.
2. When using electrical appliances, basic precautions should always be followed to reduce the risk of fire, electric shock and injury to persons.
3. Clean machine thoroughly before and after all uses using cleaning instructions below.

**SAFETY INSTRUCTIONS**

1. Plug electrical cord into a certified electrical outlet with a corresponding voltage rating as listed on the machine model labels.
2. Always unplug the electric cord when appliance is not in use and before cleaning, adjusting or maintaining this machine. Do not operate with a damaged cord or plug or after the machine malfunctions, has been dropped or damaged. Use authorized service for examination, electrical or mechanical adjustment or repair.
3. This machine will be HOT during use and for a short time after it is turned off – BE CAREFUL. To avoid burns, do not let bare skin touch hot surfaces. If provided, use handles when moving this appliance. Keep combustible materials away from appliance.
4. Extreme caution is necessary when any appliance is used by or near children and whenever the appliance is left operating and unattended.
5. This appliance is not intended for use near or around water. Never locate appliance where it may fall into a water container.
6. Do not insert or allow foreign objects to enter any ventilation or exhaust opening as this may cause an electrical shock, fire or damage to the appliance. Do not block air intakes or exhaust in any manner. Do not use on soft surfaces where openings may become blocked.

**PREPARATION**

1. Unpack warmer and place in desired location. The unit weighs approximately 40 pounds.
2. Position unit near the power outlet. Avoid the use of extension cords. Do not run cord under carpeting or cover with runners or the like. Arrange cord where it will not be tripped over.
3. This appliance has hot and live electrical parts inside. Do not use it in areas where gasoline, paint or flammable liquids are used or stored.
4. Remove the light shield by removing the two thumbscrews. Screw bulbs into their sockets. Both bulbs in the unit should be the same. Replace light shield and turn in both thumbscrews. NOTE: Do not use warmer without light shield.
5. If unit fails to work properly when first operated call NEMCO customer service at 1-800-782-6761.

**ELECTRICAL REQUIREMENTS**

Refer to the product tag (serial plate) on the back of the unit for voltage and wattage requirements. Be sure to plug unit into grounded outlet with sufficient power.

**OPERATION**

1. Turn power to the unit on.
2. Place warm pretzels on pretzel rack.
3. Turn unit off, when not in use.
4. To disconnect appliance, turn controls to off and remove plug from outlet.

**Note:** Pretzels must be baked or reheated before putting in warmer.

**CLEANING**

**NOTE:** Proper maintenance plays an important part in the life span and functioning of the unit.

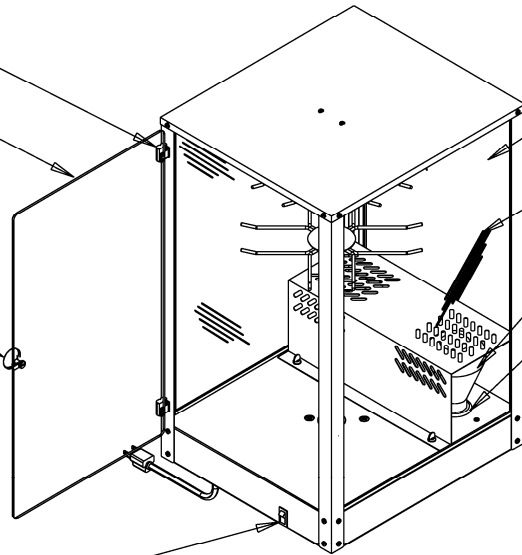
1. Unplug the power cord before cleaning or changing bulbs.
2. Do not immerse in water or other liquid. Avoid splashing water into the motor unit.
3. This unit can be cleaned with a damp sponge and mild soap.
4. Pretzel rack can be removed for cleaning simply by lifting it up off the motor shaft and pulling it towards the door and down simultaneously. Reverse this process to re-install rack.

**DO NOT IMMERSE UNIT IN WATER!**

**SERVICE PARTS**

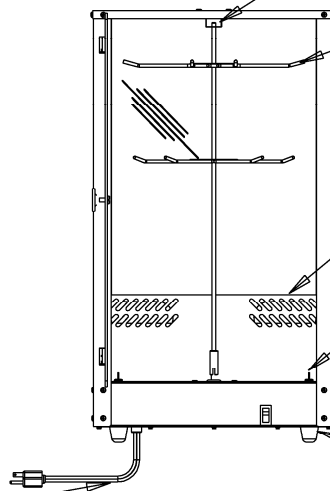
- (2) 47300, HINGE
- (4) 45129, SCREW
- (4) 46691, SCREW
- (1) 68145-2, LEXAN DOOR

- (1) 77117, KNOB
- (1) 45629, SCREW



- (1) 68144, FRONT GLASS
- (2) 68143, FRONT GLASS
- (2) 47456, BULB
- (2) 45951, GROMMET
- (2) 47472, LAMPHOLDER

- (1) 45379, ROCKER SWITCH



- (1) 68470, RACK SUPPORT
- (2) 45606, SCREW
- (2) 45069, ACORN NUTS
- (1) 68480, RACK ASSEMBLY

- (1) 68479, LIGHT SHIELD
- (2) 45632-2, THUMB SCREW

- (4) 45824, FEET
- (4) 45628, SCREW
- (4) 46066, NUT

- (1) 45374, CORDSET
- (1) 45375, CORDGRIP