

manual convection oven

model : **GS1200**



FUNCTIONAL FEATURES

- Precise, adjustable time and temperature control
- High speed fan for even air distribution
- Temperatures ranging from 100°F–450°F

CONSTRUCTION FEATURES

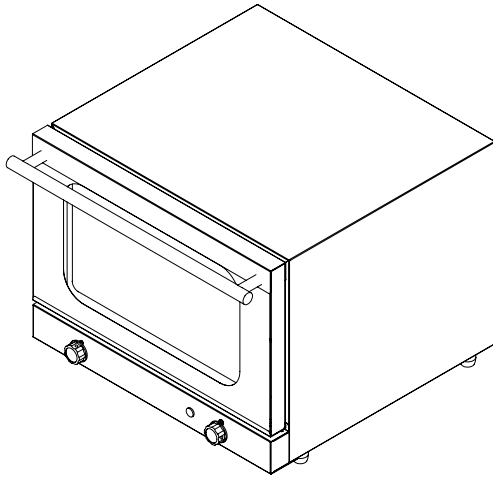
- Stainless steel construction
- Insulated, double wall construction
- Cool touch safety (tempered) glass door
- Removable door and rack slides for easy cleaning
- Unit comes with (3) wire racks and (3) 13½" x 10" aluminum baking trays
- Can accommodate (3) standard 1/4 size sheet pans (*not Included*)
- Will accommodate most 9" x 13" pans depending on the height and style of the lip/rim

Convection is the ideal way to cook convenience foods and this compact oven can bake it all. Heated, circulating air throughout the oven penetrates food quickly. Perfect for everything from cookies, muffins and biscuits to frozen snacks and hors d'oeuvres.



manual convection oven

model : **GS1200**



SPECIFICATIONS:

- Width19"
- Depth18"
- Height14.25"
- Inside 14" x 11" x 8.625"
- Shipping Dimensions23" x 25" x 18"
- Shipping Weight47 lbs
- Voltage..... 120**
- Wattage 1300**
- Amps 10.9**

- Best when operated on an individual branch circuit
- 53" power cord length

