



Quality Refrigeration Since 1947

WALK-IN INSTALLATION MANUAL

FOR:
KOLD LOCKER™
FAST-TRAK®
FINELINE™
MINI ROOMS
ENVIRO-LINE



Nor-Lake, Inc.
Registered to ISO 9001:2008
File No. 10001816



Introduction	3
Product Safety Policy	4
Tools Required	5
General Information	6-10
Unpacking / Inspection	6
Foam Panel Storage	8
Construction Diagram	9
Section Latches	10
Walk-in Installation	11-33
Floor Installation	12
Site Selection, Base Preparation	14
Wall and Ceiling Panel Construction	22
Door / Door Section	25
Exterior Ramp	29
Interior Ramp	30
Membrane Roof	31
Electrical Connections	32
Wiring	32
Walk-in Maintenance	34-41
Door Parts	34
Electrical Connection	41
Final Checklist for Installation	42-43



The Quality Systems at Nor-Lake, Incorporated have been registered by UL to ISO 9001:2008.

Your Nor-Lake Walk-In Cooler (Freezer) was quality engineered and produced under rigid factory controls. It features the very latest in manufacturing technology plus innovative design techniques that will provide the ultimate in user convenience.

Please maintain this service-reference material in a handy file for an immediate answer to any questions you may have concerning your Nor-Lake Walk-In. This manual was designed not only to provide guidance during the installation phase, but to serve its owner as a reference source for years to come. It contains information pertaining to the operation of its various components, electrical wiring details, maintenance procedures and adjustment techniques or replacement methods for certain parts.

Please take time to read all sections of this manual. You will be rewarded with a better understanding of your equipment and will gain product knowledge that will assist you in obtaining the performance that you should expect from your Nor-Lake Walk-In.

Sincerely,

NOR-LAKE, INCORPORATED

A handwritten signature in cursive script that reads "Kevin Fink".

Kevin Fink
President

ANY CORRESPONDENCE PERTAINING TO THIS EQUIPMENT MUST CONTAIN THE MODEL NUMBER OR JOB NUMBER AND THE SERIAL NUMBER AS THEY APPEAR ON THE DATA PLATE LOCATED ON THE INSIDE OF THE DOOR SECTION.

NOR-LAKE, INC.

727 Second Street
Hudson, WI 54016
800-955-5253 Foodservice Sales
800-477-5253 Scientific Sales
715-386-2323
800-388-5253 Parts/Service
Fax: 715-386-6149
www.norlake.com



PRODUCT SAFETY POLICY OF NOR-LAKE, INC.

We strive to provide those who buy and/or use our product with equipment which is:

1. Developed by applying professional engineering principles in product research, development and user safety.
2. Designed to comply with or exceed industry performance and safety regulations.
3. Thoroughly reviewed and professionally tested for function, reliability and product safety.
4. Manufactured according to our professional purchasing, production and quality control standards designed to assure continued product reliability and safety.
5. Represented in our advertising and/or product literature in an informational and factual manner created to aid our customer in their product selection.
6. Accompanied by clear, complete installation, operation and maintenance instructions designed to assure many years of satisfactory product performance.
7. It is only through you, our satisfied customer, that we can continue our past successes in the design, development and manufacture of refrigeration equipment.
8. Nor-Lake, Incorporated reserves the right to improve upon our products without notice and without imposing on ourselves, any obligation to make such changes on products previously manufactured.

Warning: Walk-in floor must be kept free of any liquids, food particles or any items that could cause a slip hazard. Spilt liquids, food particles or any moisture on the walk-in floor can cause the floor to become slippery. Keep the floor surface clean and dry at all times.

- Inspect non-skid floor strips on ramps and floor surfaces and replace if worn.
- Inspect refrigeration system, door gaskets and hardware for proper operation to prevent moisture on walk-in floor, ceiling or walls.
- Avoid leaving entry doors open for more than a five minute period of time, which can cause a film of ice to form on floor, ceiling and wall surfaces due to the excessive condensation of warm moist air entering the walk-in. Vinyl strip curtains can be used to reduce the amount of warm moist air entering the walk-in.

NOR-LAKE, INC.

727 Second Street
Hudson, WI 54016
800-955-5253 Foodservice Sales
800-477-5253 Scientific Sales
715-386-2323
800-388-5253 Parts/Service
Fax: 715-386-6149
www.norlake.com



TOOLS REQUIRED FOR UNCRATING AND INSTALLATION OF YOUR NOR-LAKE WALK-IN



- LEVEL
- CAULK GUN
- TAPE MEASURE
- SAFETY GLASSES
- HAMMER
- METAL SNIPS
- PRY BAR
- PHILLIPS SCREWDRIVER
- ALLEN WRENCH
- UTILITY KNIFE
- SQUARE
- DRILL DRIVER



WALK-IN INSTALLATION GENERAL INFORMATION

This walk-in cooler or freezer was produced utilizing the latest in manufacturing technology, the highest quality materials available, along with innovations that make it a distinctive product in its field. Despite rigid controls in the production of the product, there is no substitute for thoroughly reading and UNDERSTANDING the instructions that follow. The result will be an orderly and efficient installation. Take the time to follow the steps explicitly! **NOTE: The most important step is to start with a level surface.**

NOTE: Indoor walk-in(s) must be in an environmentally controlled space. Relative humidity should be kept between 30% - 60%, maintaining a dew point of 50°F or less.



Delivery Receipt

UNPACKING / INSPECTION

Check the Delivery Receipt for the number of pieces that made up the shipment and make sure that the number of pallets, boxes or crates agrees with that number. Each piece should be clearly marked with the same five-digit order number that appears on the Delivery Receipt as the shipper's number. Each individual walk-in is color coded.

Examine the general condition of the shipment and, as soon as unpacking is completed, carefully inspect all parts for possible shipping damage. If damaged parts are discovered, contact Nor-Lake immediately.



Kold Locker™ Walk-in with Ceiling Mount Capsule Pak™ Refrigeration System



Kold Locker™ Walk-in with Remote Capsule Pak™ Refrigeration System



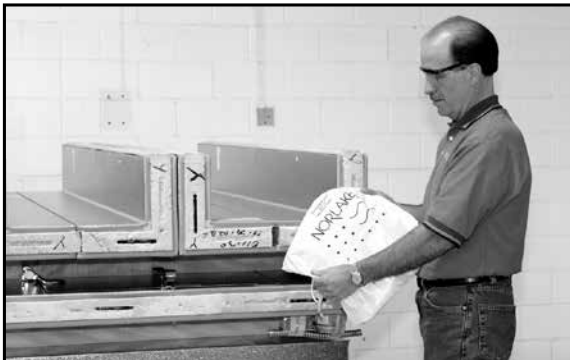
Remove protective packaging and locate the hardware bag.



The hardware bag contains accessory parts for this walk-in together with a construction diagram, a layout of the screed assembly for floorless walk-ins, and a detailed packing list of all parts furnished for this individual walk-in. All parts should be compared to the packing list.

If discrepancies are found, contact Nor-Lake immediately.

Some walk-ins come with an additional orange hardware box.



Locate packing list and use as a reference during uncrating.

LINE	PRODUCT NUMBER	DESCRIPTION	SHIP QTY	BACKORDER
PACKING LIST PAGE: 1 Nor-Lake, Incorporated S. O. NUMBER: 17501 Second & Elm Street CUST. PO NO: 455413 Hudson, WI 54916-9248 Bill-To: _____ Ship-To: _____				
1	KLF65-CL	FREEZER 6X6-7. CL RT. LH	1	
CONSISTING OF:				
	018950	2' X 6' CL SECT O/S F G AL/G AL	1	
	027561A	4X6 CL O/S RA W/RD DF GA/GA	1	
	027573	1' X 1' X 6' CRN. PANEL GA/GA	4	
	027578	4' X 6' WALL PANEL GA/GA	3	
	028803	6' KL L.H. 26"X66" DR. SECT	1	
	108270	4' X 6' FL SECT O/S RA GA/AF	1	
	108278	2' X 6' FL SECT O/S FE GA/AF	1	
	116499	6' PALLET ASSY (WALL, CL, FL)	1	
	122957	HARDWARE BOX KL W/FL FOODSERV1	1	
	CPF75DC-A	CPF75C CAPSULE PAK R404	1	
2	KLB683-CR-SUB	KL BEER CLR 6X6-7 CL RT RH	1	
CONSISTING OF:				
	018952	4' X 6' CL SECT O/S F G AL/G AL	1	
	027561A	4X6 CL O/S RA W/RD DF GA/GA	1	
	027573	1' X 1' X 6' CRN. PANEL GA/GA	4	
	027578	4' X 6' WALL PANEL GA/GA	3	
	028804	6' KL R.H. 26"X66" DR. SECT	1	
	035092	1' X 6' WALL PANEL GA/GA	2	
	035094	2' X 6' WALL PANEL GA/GA	1	
	108247	4' X 6' FL SECT O/S FE GA/AF	1	
	108278	4' X 6' FL SECT O/S RA GA/AF	1	
	116499	6' PALLET ASSY (WALL, CL, FL)	1	
	122957	HARDWARE BOX KL W/FL FOODSERV1	1	
	CPB75DC-A	CPB75C CAPSULE PAK R404	1	



Packing List



FOAM PANEL STORAGE

If foam walk-in panels require storage at the job site prior to installation, the following steps must be taken to protect the panels against both staining from moisture and sunlight, and denting by workers and traffic.

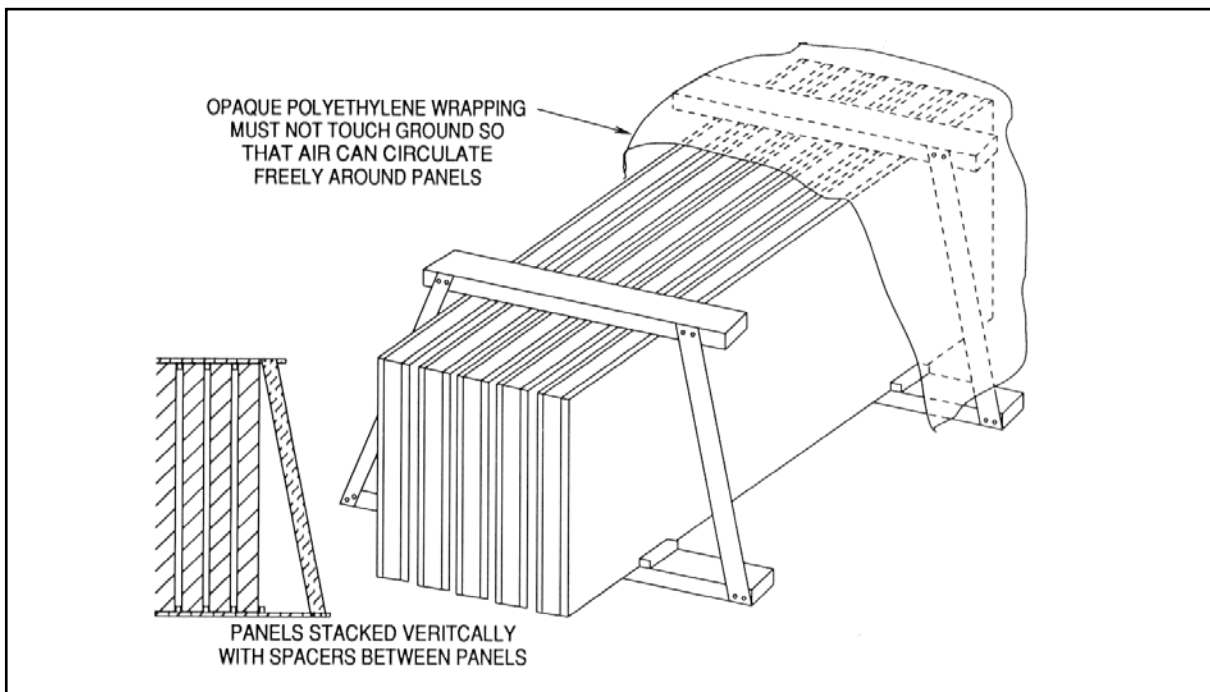
Whenever possible, the panels should be stored indoors, and should remain in the crating pallet they were originally shipped in. If the panels were uncrated as they were unloaded from the delivery truck, and they are being stored indoors, they should be stored vertically on skids with spacers between the panels.

When storing panels in a vertical position, always place the female rail (grooved) edge down (see illustration below.) This method of storing panels will provide proper ventilation, permit drain-off of condensation moisture and protect panels against the formation of white rust stains.

If the panels must be stored outdoors, follow the same procedure as indicated for indoor storage WITH THIS ADDITION: Cover the panels completely with an opaque polyethylene water-proof material to protect against rain, snow, heat and sunlight.

The illustration below shows the method for storage outdoors when panels are not left in palletized crates.

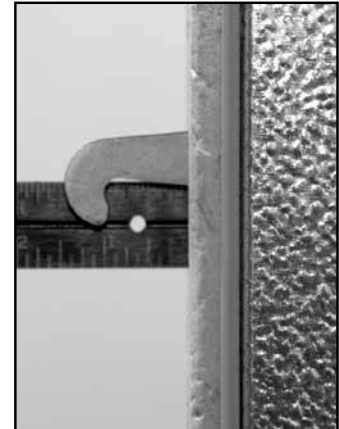
Note: Nor-Lake always recommends equipment to be installed once received but understands storage may be required. Nor-Lake does not guarantee issues related to storage, such as handling damage, storage damage, panel aging, etc. We would recommend the locks be oiled and the panels be wiped down with a white oil.





SECTION LATCHES

All wall, corner, ceiling and floor panels are joined and locked together by the mechanical action of section latches which are integrally foamed into the panels near the perimeter edges. A section latch consists of two halves – a lock housing which contains a cam actuated locking arm, or hook, and a strike housing which contains the engagement pin. Both housing halves are securely anchored in the foam core of the panel. The lock housing is always located in the male-formed edge and the strike housing will be found in the female-formed edge of the panel.



Fully Extended Cam Lock

TO OPERATE LATCHES



Hex wrench provided in hardware bag



1. Insert the hex wrench (packed in the hardware bag) through the access hole in the interior panel metal into the hex opening of the section latch. Turn wrench in a counterclockwise direction to ensure that the lock is fully unlatched



2. Push the sections tightly together and turn the wrench 1/4 turn in a clockwise direction. This will engage the locking arm (hook) over the pin in the strike housing.



3. Continue turning the wrench to a full stop (approximately 3/4 of a complete turn from the unlatched position) to complete the locking operation.



Latches on some panels will have to be turned counterclockwise to activate the locking cam. These latches will be designated by a "TURN" sticker.



SITE SELECTION, BASE PREPARATION AND LEVELING THE FLOOR WALK-IN COOLER OR FREEZER WITH A FLOOR

One of the most important considerations in the construction of a walk-in cooler or freezer is the building floor or the surface upon which the walk-in will rest. As with any structure, a firm and level foundation is essential to achieve a perfect end result. If the surface is not perfectly level and smooth, appropriate steps must be taken to provide the proper base. The positive action of self-closing doors, proper door gasket seal and condensate removal all depend directly upon the level and plumb installation of all panels.

If the walk-in is to be installed next to an existing building wall(s), make sure that a MINIMUM OF 2" REMAINS BETWEEN THE WALK-IN AND THE BUILDING WALL(S) to allow for irregularities of the building wall(s) and to permit a free flow of air between the two surfaces.



NOTE: Indoor walk-in(s) must be in an environmentally controlled space. Relative humidity should be kept between 30% - 60%, maintaining a dew point of 50°F or less.

In some cases, the surface upon which the walk-in is to be installed was especially prepared for installation and it is perfectly level and smooth. The walk-in floor, in this case, may be installed without further preparation. Before beginning, however, an appropriate vapor barrier should be placed over the surface that the walk-in will occupy. Asphalt felt paper (50#) or a 6 mil polyethylene film, are suggested materials. **These are provided by the installing contractor.**





FLOOR INSTALLATION (Shim Leveling Method) FOR WALK-INS SUBJECT TO LIGHT TO MODERATE LOADS

Locate the highest point within the perimeter lines. A transit or surveyor's level or rotary laser level is an ideal instrument to use for locating this point. When the highest point is located, mark it directly on the floor and refer to the construction diagram to determine where the high point is located with respect to the walk-in floor plan.

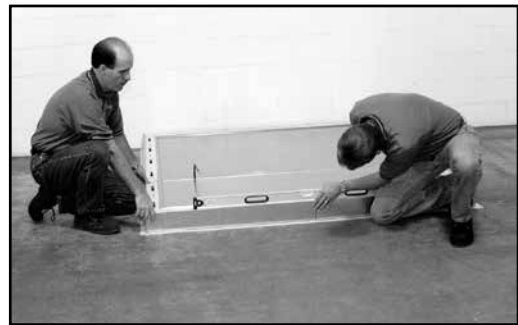
One of the most important procedures that will be encountered in the construction of a walk-in with a floor is **LEVELING THE FLOOR**. It must be **PERFECTLY LEVEL!** If it is not, the wall panel will follow the irregularities of the walk-in floor which will directly affect subsequent procedures such as latching, panel gasket seal, ceiling panel assembly among others.

Using the construction diagram as a guide, select the floor panel that will be located directly over the highest point and place it in that position while observing the drawn outline on the building floor.

After the first floor panel is positioned, it must be properly leveled. To achieve this, shimming material of varying thicknesses must be used. Cedar building shingles are ideally suited for this procedure.



IMPORTANT! EVERY FLOOR PANEL MUST BE SUPPORTED ON ALL FOUR SIDES AND THE ENTIRE UNDERSIDE, AT LEAST EVERY 12" BY EITHER THE BUILDING FLOOR OR BY SHIMMING. HOWEVER, OTHER MATERIALS THAT ARE RESISTANT TO ROTTING OR COMPRESSION ARE ALSO ACCEPTABLE.



After the first floor panel has been leveled perfectly, trim away the excess shim material so that none projects from the panel at any of the four edges.

From the construction diagram, determine which floor panel will be installed next and where it will be situated on the floor plan. Prepare shimming material for the second panel at each point where shimming material was used beneath the first floor panel. The shimming material thickness must be such that it will support the second floor panel at exactly the same height as the first panel along the entire length of the joint. **NOTE:** In many cases, the shimming material will be the same thickness as the adjacent shimming under the first panel.



Place the second panel in position next to the first floor panel but **DO NOT LOCK!**



Shim the second panel, where necessary, using the same procedure as was used on the first panel. When all four edges of the second floor panel are properly shimmed, lock the two panels securely together. Using the same technique for leveling, check the levelness of the two sections in all directions by placing the level across the joint at several points and, again, check the levelness of the floor panels in the direction of the panel joint.



Refer to the construction diagram and install the remainder of the floor panels using the same procedure as was used for the first and second floor panels. When all of the floor panels are installed and leveled perfectly, check the section latches for full and complete locking.



Trim excess vapor barrier.





SITE SELECTION, BASE PREPARATION

WALK-IN COOLER WITHOUT A FLOOR INSTALLED ON 1" VINYL SCREED

IMPORTANT! Do not attempt to construct a floorless walk-in FREEZER on a existing building floor that has not been specially prepared and adequately insulated for below freezing storage temperatures. **Note: All thermal breaks in floor slab must be exposed, including the partition wall.**

To install a vinyl screed assembly on an existing floor, proceed as follows:

Locate the screed (floor sealer) diagram which was packed in the hardware box and, using it as a guide, draw an outline of the outside dimensions of the installed screed directly onto the building floor where the walk-in will be situated. These dimensions will be 1 1/2" larger than the overall dimensions of the walk-in in both directions.

If the walk-in is to be installed next to an existing building wall(s), make sure that a MINIMUM OF 2" REMAINS BETWEEN THE DRAWN OUTLINE AND THE BUILDING WALL (s) to allow for irregularities of the building wall (s) and to permit a free flow of air between the two surfaces. CAREFULLY CHECK FOR SQUARENESS by insisting that the two dimensions between opposite corners are equal (Figure 1).

One of the most important procedures that will be encountered in the base preparation is LEVELING THE SCREED. It must be PERFECTLY LEVEL! If it is not, the wall panels will follow the irregularities of the building floor which will directly affect subsequent procedures such as panel latching, panel gasket seal, ceiling panel assembly and others.

After the outline of the screed assembly is completed, locate the highest point within the outline on the floor where the screed will be installed. Screed sections are 5 1/2" wide. A transit or surveyor's level is an ideal instrument for this purpose. Mark the highest point on the floor (Figure 2) and, referring to the screed diagram, identify and locate the appropriate screed section and position it directly over the highest point.

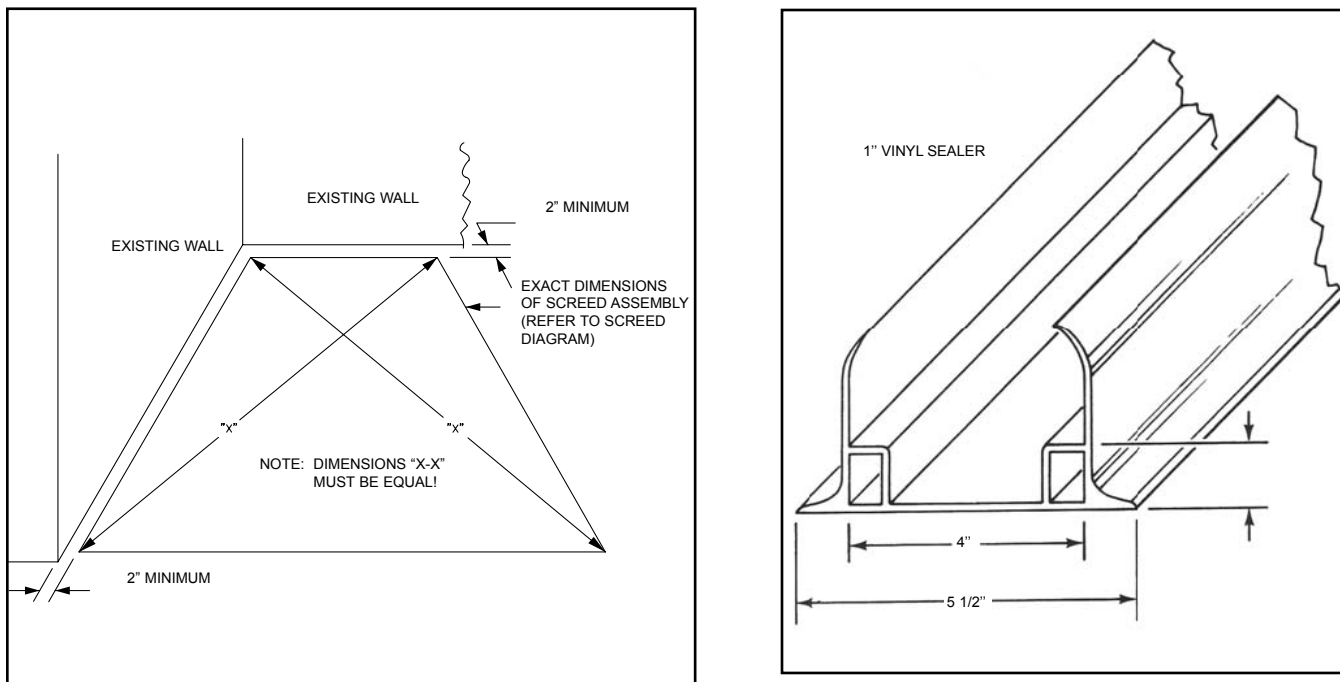


Figure 1

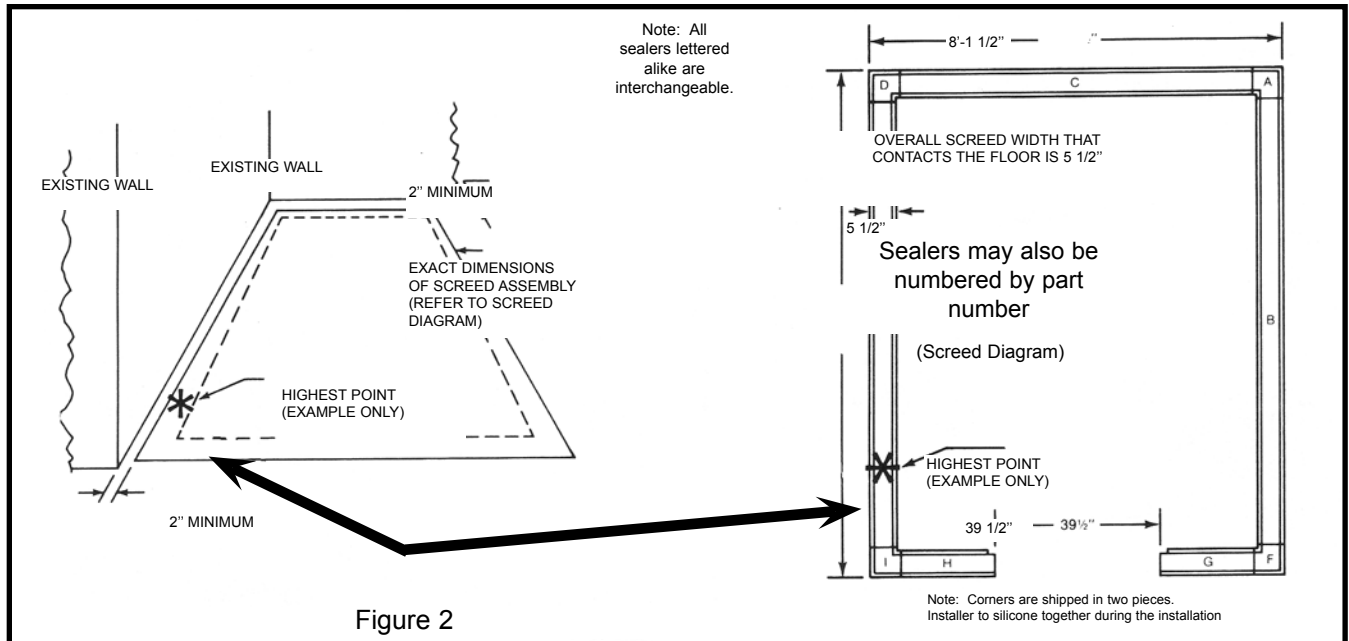


Figure 2

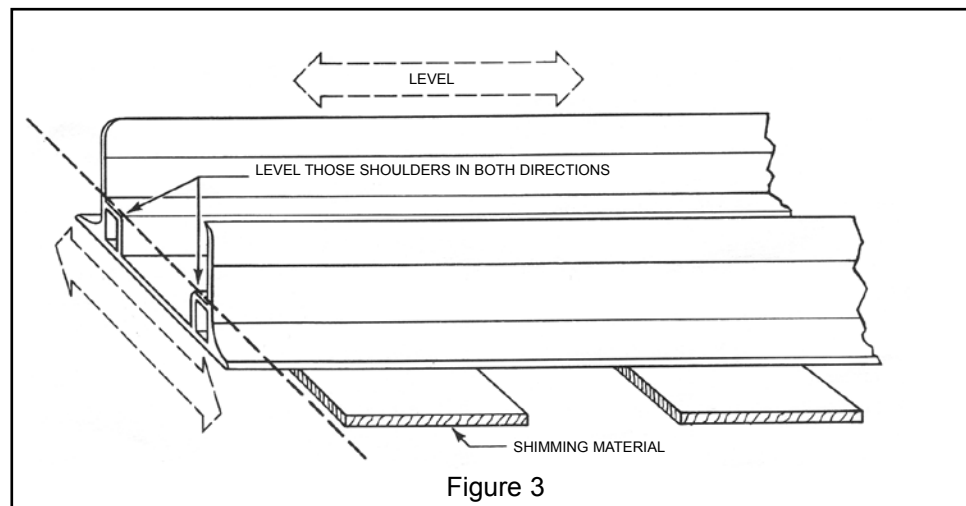


Figure 3

After the first screed section is positioned, it must be **LEVELED PERFECTLY** not only over its length but, across its width, as well. To achieve this, shimming material will most likely be required. Vinyl floor tile is ideally suited for this purpose. However, other materials that are resistant to rotting or compression are acceptable. **IMPORTANT!** EVERY SECTION OF SCREED MUST BE SUPPORTED AT LEAST EVERY 12" BY EITHER THE BUILDING FLOOR OR BY SHIMMING (Figure 3).

Assuming that the first screed section has been perfectly leveled, refer to the screed diagram and select an adjoining screed section and level it perfectly in both directions, shimming wherever necessary. Continue leveling the remainder of the screed sections until the entire assembly is in position. Check the assembly to make sure that the outer edges are located exactly on the drawn outline on the building floor.



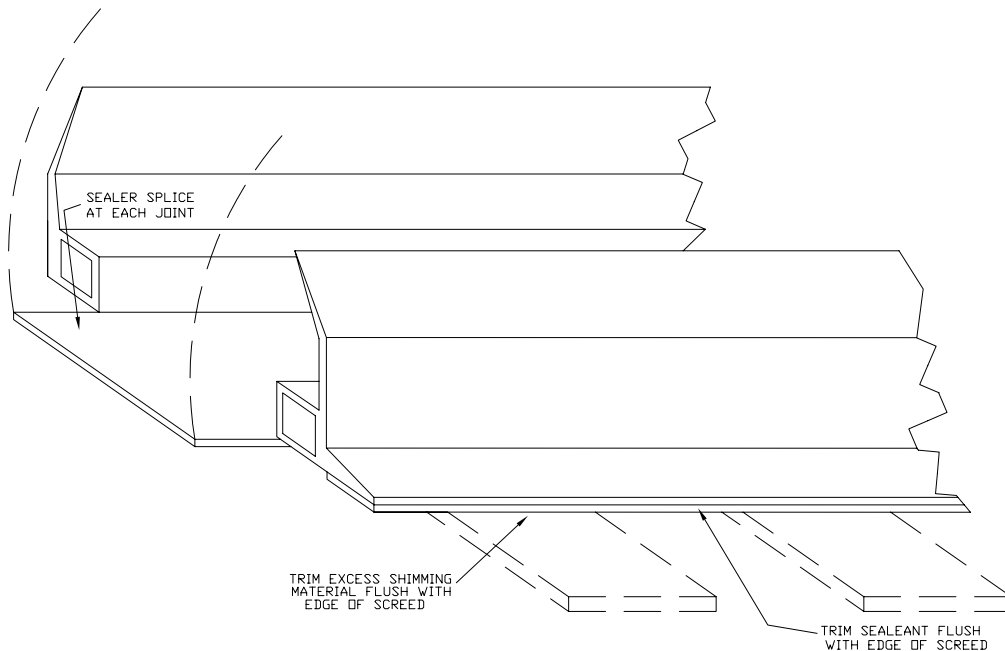
When the entire screed assembly is leveled and supported by shimming, as required, CAREFULLY AND WITHOUT DISTURBING THE SHIMMING MATERIAL, lift the screed sections, tip them upside-down and apply a heavy bead of construction sealant to the bottom of the screed section along both of the edges that contact the building floor surface. The diameter of the sealant bead should be larger than the thickest shimming material to ensure a complete, air-tight seal along the entire length of the screed (Figure 4). NSF approved sealant is provided and will be found in the hardware box.

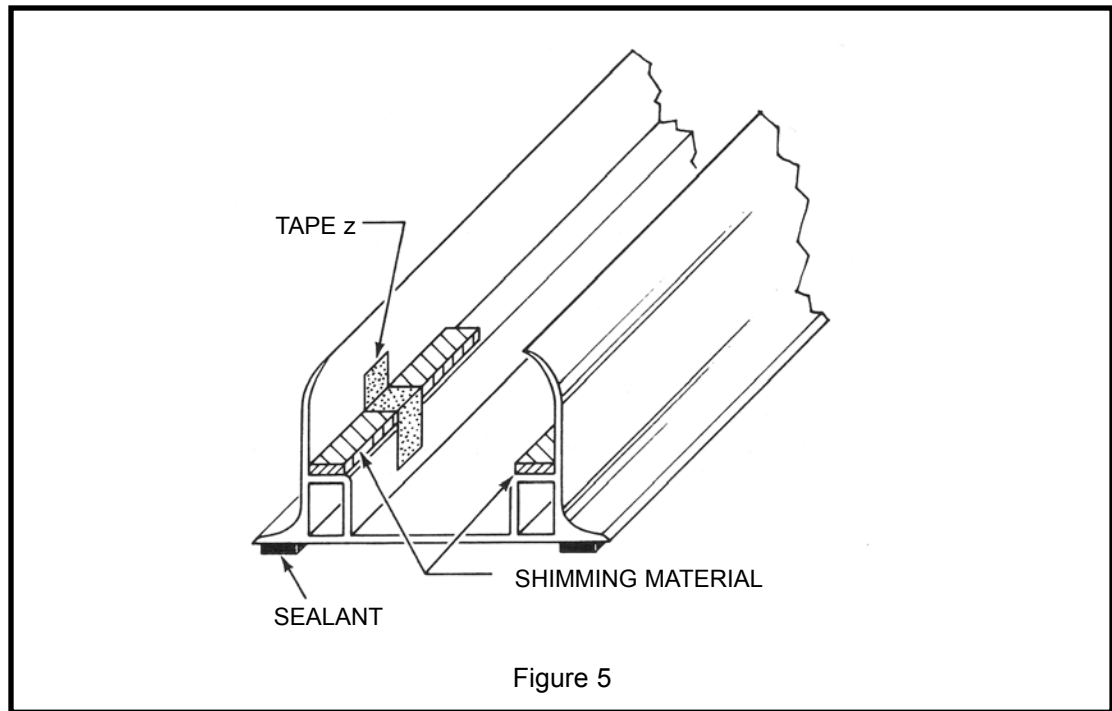
Immediately after applying the construction sealant to a screed section, replace the screed section to its original location on the building floor WITHOUT DISTURBING THE SHIMMING MATERIAL and place a sealer splice every joint in the screed assembly (Figure 4). Since the sealer splice is intended to keep adjacent screed sections in alignment, approximately one-half of the sealer splice should lap each section. It need not be fastened in place (Figure 4). **NOTE: Seal all screed joints with sealant.** Make a final check for squareness, levelness and whether the screed assembly is located properly with respect to the drawn outline on the building floor.

Follow by securing the screed assembly to the building floor with fasteners that are appropriate for the building floor. These fasteners are not provided and must be obtained by others.

Fasteners should be applied down the center line of the inside of the screed at intervals of approximately 36"; however, where shimming is used, apply the fasteners through the shimming material, NOT BETWEEN the shimming. When the entire assembly is secured in position, trim away all excess construction sealant and shimming on both edges of the screed. Trim flush with the sealant lip of the screed and touch up any areas where the construction sealant is not making a perfect seal (Figure 4).

NOTE: In the event that the building floor was specially prepared for the installation and no low or high points are detectable, it is possible that no shimming will be necessary. It will then only be necessary to apply construction sealant to the bottom of the screed and secure the screed directly to the building floor. The entire procedure, as described, must be followed explicitly, however, except for the details that pertain to the shimming.





ALTERNATE SHIMMING METHOD FOR 1" VINYL SCREED

If the surface that the vinyl screed will occupy is level, except for an occasional low point, the screed may be secured directly to the building floor and compensation for the low points may be achieved by shimming the support shoulders on the inside of the screed.

When employing this method, the low points should be marked on the building floor in the vicinity of the drawn outline for reference. After the screed has been sealed and secured, leveling may proceed with special attention being focused in the areas marked as being low points.

Vinyl floor tile is often chosen as shimming material and strips (5/8" wide maximum) are cut and placed on top the supporting shoulders of the screed to provide a level surface for the wall sections to rest upon. Strips of tape should be applied to hold the shimming material in place (Figure 5).

IMPORTANT! Shimming the support shoulders on the inside of the screed is ideally suited for minor irregularities on the building floor and has the advantage of complete screed-to-floor contact over the entire perimeter of the assembly. IT IS NOT RECOMMENDED, HOWEVER, FOR EXTREMELY IRREGULAR BUILDING FLOORS. Excessively thick shimming material on the support shoulders may elevate the wall panels to a point where the effectiveness of the uppermost screed sealing flanges would be compromised. Shimming thickness of more than 3/4" should be avoided! If shimming the support shoulders of the screed is selected, the entire procedure, as described, must be followed explicitly to ensure squareness and levelness over the entire screed assembly.



SITE SELECTION, BASE PREPARATION WALK-IN COOLER OR FREEZER WITHOUT A FLOOR INSTALLED ON FOAMED SEALERS

IMPORTANT! Do not attempt to erect a floorless walk-in FREEZER on an existing building floor that has not been specially prepared and adequately insulated for below freezing storage temperatures. **Note: All thermal breaks in floor slab must be exposed, including the partition wall.** To install a foamed sealer (screed) assembly on an existing floor, or on a properly prepared floor for freezers, proceed as follows:

Locate the floor sealer (screed) diagram that was packed in the hardware box and, using it as a guide, draw an outline dimensions of the installed sealer (screed) assembly directly onto the building floor precisely where the walk-in will be situated. These lines will be exactly the same dimensions as the dimensions of the walk-in in both directions. If the walk-in is to be installed next to an existing building wall(s), make sure that a MINIMUM OF 2" REMAINS BETWEEN THE DRAWN OUTLINE AND THE BUILDING WALL(S). This space will allow for irregularities in the building wall(s) and will permit a free flow air between the two surfaces. CAREFULLY CHECK FOR SQUARENESS by insisting that the dimensions between opposite corners are equal (Figure 1).

Since the foamed sealer (screed) is retained in position by a 3/8" thick plywood sealer guide, which will be secured to the building floor, it is imperative that the sealer guide be accurately located, as well, on the building floor. Refer to the sealer guide diagram which was also packed in the hardware box. On the diagram, you will notice that the sealer guide is located 78" INSIDE the drawn outline which represents the outside dimensions of the sealer (screed) assembly. Further, Fig. 1 illustrates that the sealer guide is 2 1/4" wide centered beneath a 4" wide sealer leaving a border of 7/8" along each edge. Draw another outline of the outside dimensions of the sealer guide directly onto the floor. There should be exactly 7/8" between the new sealer guide outline and the previously drawn sealer (screed) outline (Figure 2, on next page).

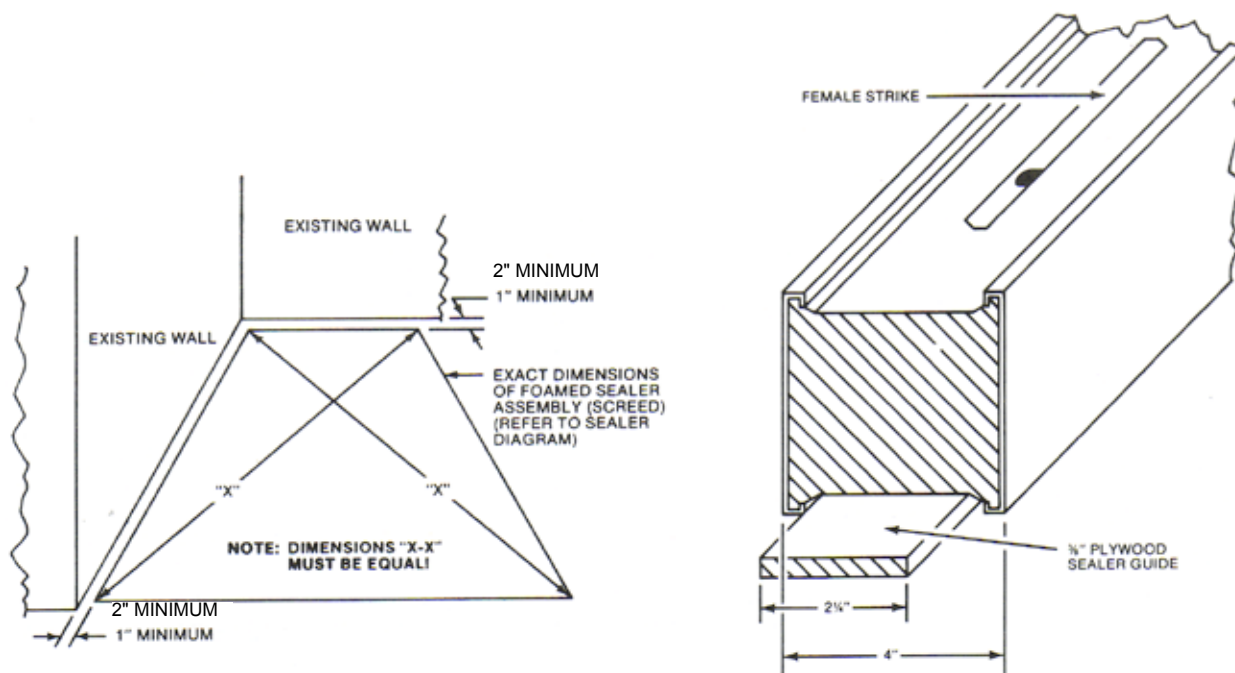


Figure 1

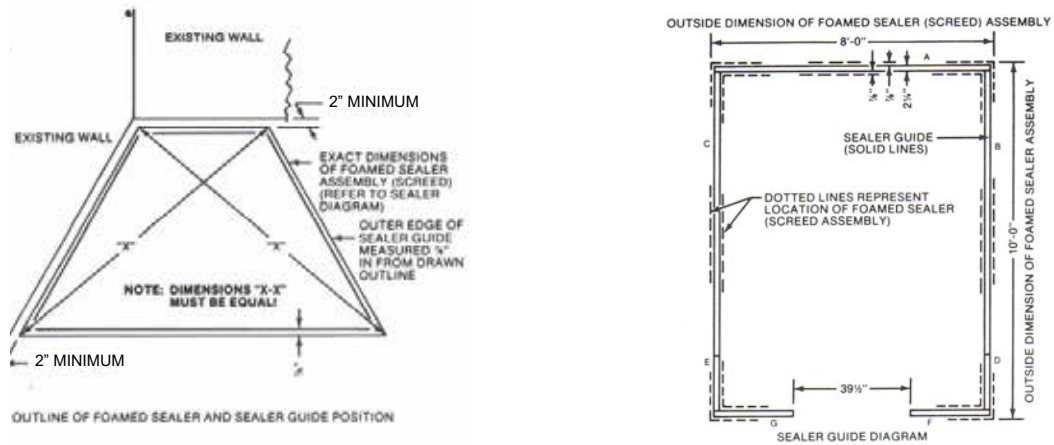


Figure 2

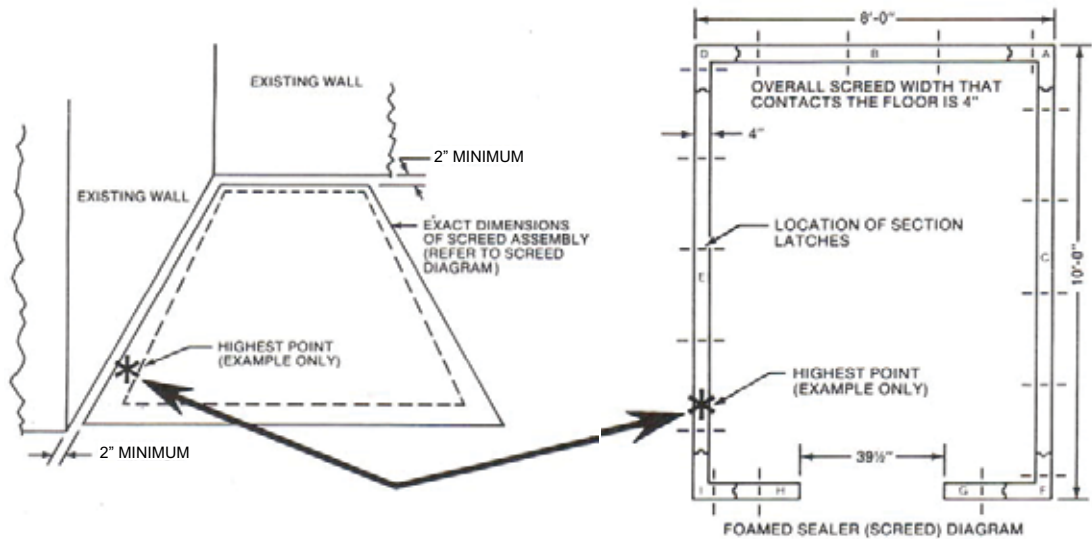


Figure 3

One of the most important procedures that will be encountered in the base preparation is LEVELING THE SEALER (SCREED). It must be PERFECTLY LEVEL! If it is not, the wall panels will follow the irregularities of the building floor which will directly affect subsequent procedures such as panel latching, panel gasket seal, ceiling panel assembly and other.

After the outline of the sealer (screed) and the sealer guide is completed, as shown in Figure 2, locate the highest point within the outline on the floor where the screed (sealer) will be installed. (Sealer sections are 4" wide). A transit or surveyor's level is an ideal instrument for this purpose. Mark the highest point on the floor as illustrated on Figure 3.

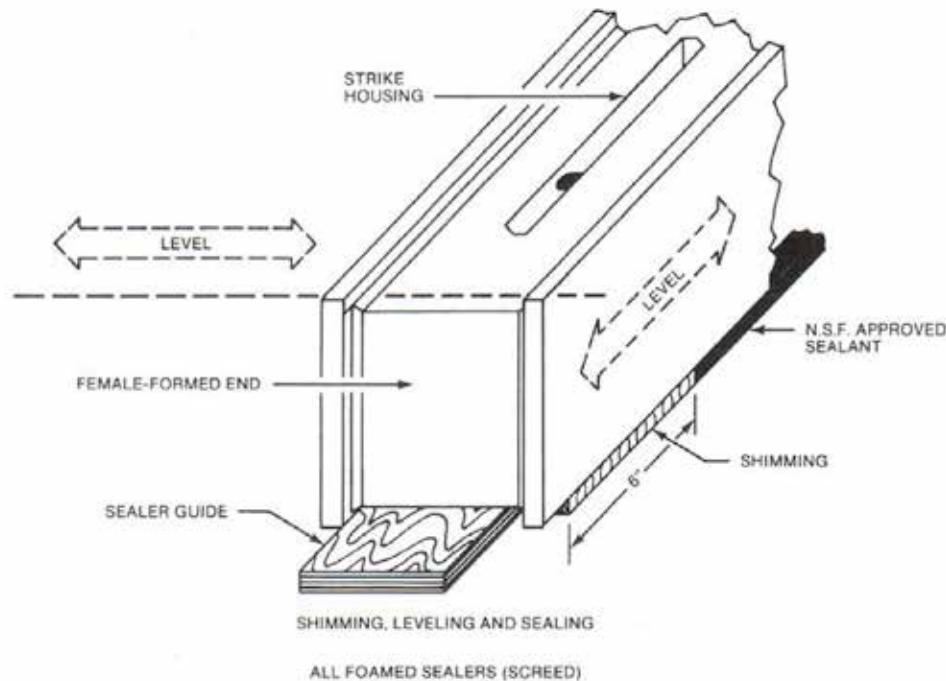


Figure 4

SEALER GUIDE INSTALLATION

Locate the SEALER GUIDES. They are bundled together and packed along with the walk-in corner or wall panels and are labeled accordingly. Sealer guides are strips of 3/8" plywood 2 1/4" wide as shown in Figure 1.

Refer to the SEALER GUIDE DIAGRAM. Select the proper sealer guides and position them as shown by the circled letters on the diagram. Each length of sealer guide is marked with a circled letter that corresponds to the circled letters on the sealer guide diagram.

Each sealer guide, when positioned properly, will have its outer edge precisely over the INSIDE OUTLINE drawn on the building floor, Figure 2, and its outer edge will be exactly 7/8" from the outline which represents the foamed sealer outer edge. The quality of workmanship performed in locating and securing the sealer guides will be transmitted directly to the location of the foamed sealers (screeds) and, subsequently, to the overall construction of the complete walk-in. BE EXACT! Refer to Figure 1 and Figure 2.

When all sealer guides are in position, make a final CHECK FOR SQUARENESS and secure them to the building floor with fasteners that are appropriate for the surface. **NOTE:** This can either be a mechanical fastener or construction grade adhesive. If the sealer guide is positioned over a polystyrene or polyurethane thermal breaker, a compatible construction adhesive may be used.

FOAMED SEALER (Screed) INSTALLATION

Refer to the FOAMED SEALER DIAGRAM. Identify and locate the sealer section that will be positioned directly over the highest point which was determined earlier and marked on the building floor (Figure 3).

NOTE: All foamed sealers are male-formed on one end and female formed on the opposite end. The configuration of the ends is clearly indicated on the diagram. Also, make certain that the strike housing portion of the section latches is visible on the upper edge of the sealer when it is in position (see Figure 1 and Figure 2).

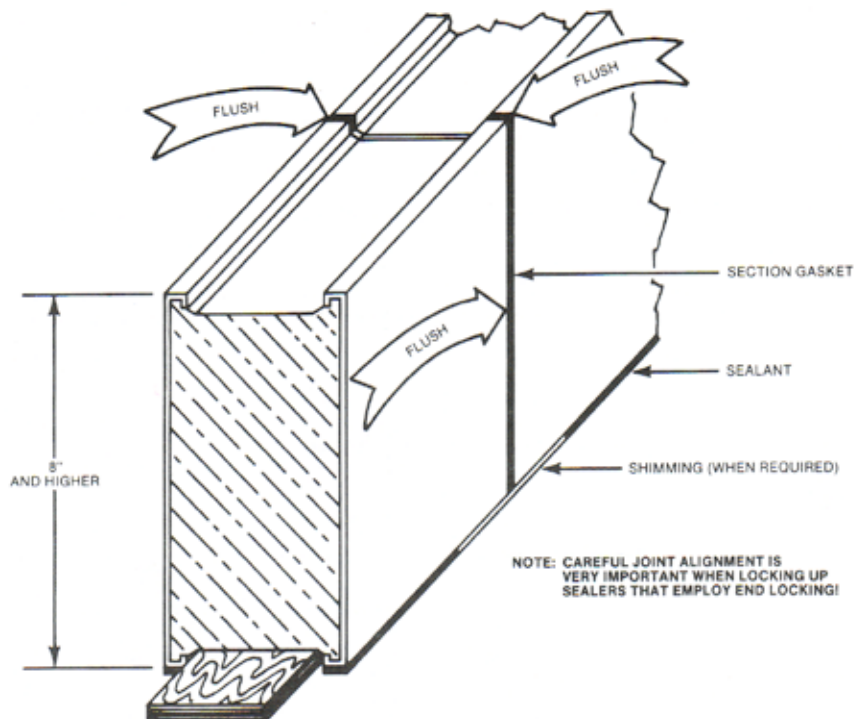


Figure 5

After the first sealer (screed) section is positioned over the sealer guide and over the highest point, it must be **LEVELED PERFECTLY** not only over its length but, across its width, as well. To achieve this, shimming material will probably be required. Vinyl floor tile cut in strips 7/8" wide by 6" long make ideal shimming strips that can be placed beneath the sealer, wherever necessary, to achieve levelness.

IMPORTANT: EVERY SECTION OF SEALER (SCREED) MUST BE SUPPORTED AT LEAST EVERY 24" BY EITHER THE BUILDING FLOOR OR BY SHIMMING. Avoid using shimming strips less than 6" long whenever possible (see Figure 4).

Assuming that the first sealer (screed) section has been perfectly leveled, refer to the sealer diagram and select an adjoining sealer section and level it perfectly in both directions, shimming wherever necessary. **NOTE:** Sealer (screed) sections 8" high or more employ section latches for end-to-end locking. **CAREFULLY** flush the upper edges and the inner or outer surfaces of adjoining sealer sections while locking them together (Figure 5). Continue leveling the remainder of the sealer sections until the entire assembly is in position.

When the entire sealer assembly is leveled, apply NSF approved sealant to achieve a vapor seal between the bottom edge of the sealer and the building floor. This sealant is provided and is packed in the hardware box. The sealant must be applied to the inner and outer surfaces of the sealer (screed) assembly. Make certain that the sealant produces a complete, air-tight seal, without gaps, and that special care is taken to seal the shimming material appropriately.

After the sealant has had an opportunity to set up, trim away all excess material flush with the edges of the sealer (screed) assembly and touch up any areas where the sealant is not making a perfect seal (Figure 5.).



WALK-IN INSTALLATION WALL AND CEILING PANEL CONSTRUCTION

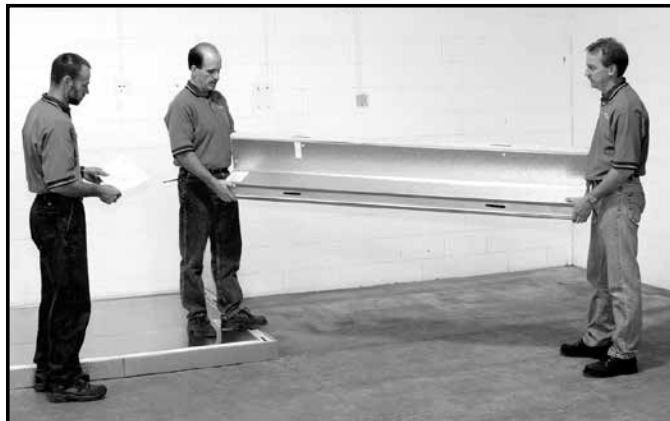
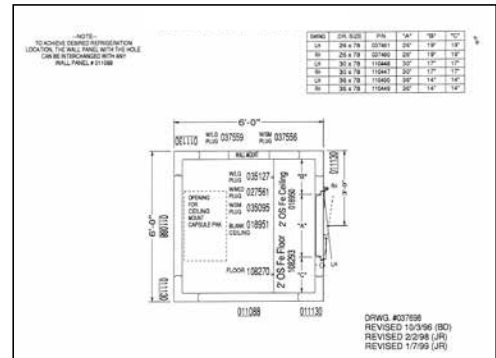
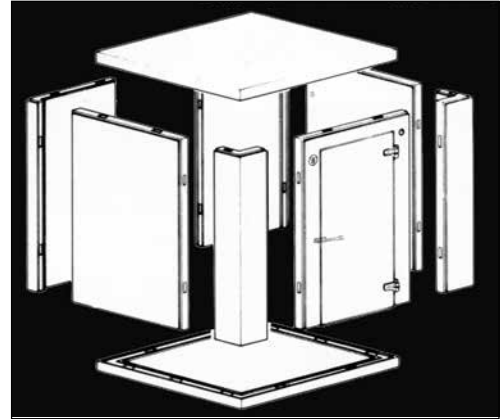
The installation instructions that follow apply to any walk-in cooler or freezer where the wall panels are supported either by foamed walk-in floor panels or by a floor sealer (screed) assembly which has been accurately located and properly leveled. **NOTE:** The procedure for constructing wall and ceiling panels will be identical in all cases. **NOTE:** The walls do not lock to vinyl sealers, but will lock to foam sealers when used.

To aid in the construction process, the floor plan furnished with your walk-in has part numbers listed for each wall, corner, ceiling and floor section. Match the part number on the floor plan to the label on the interior of each panel to determine the current placement for each panel.

Notice, also, that the section latch access holes on the vertical edge of the panel are always on the interior of the panel.

Select the first panel to be installed, typically beginning with a CORNER PANEL. Notice that the panel is labeled "Top" along with a part number indicating that when the panel is in its proper position, the labeled end will be up.

Position the corner panel in the proper location on the walk-in floor or vinyl screed assembly and, IF THE WALK-IN HAS A FLOOR, flush the corner panel with the corner of the floor panel in both directions and lock it securely to the floor panel.





If the first corner panel is supported by a 1" vinyl sealer (screed), seek assistance to support the corner panel in a vertical position until succeeding wall panels are installed. Wall and corner panels do not lock to the vinyl sealer (screed).

Select the next panel as indicated on the floor plan and position it on the floor or sealer (screed) close enough to the first panel installed so that section latch engagement is possible.



Making sure that the two panels are perfectly aligned at the TOP EDGE and that the VERTICAL JOINT of the two panels are perfectly flush, turn the section latches on the vertical edge of the panel until they are completely engaged.

IMPORTANT! Insist that the top edges of the adjoining panels are aligned perfectly.



Correct

If misalignment is encountered, merely lift the lowest panel edge while locking to achieve alignment and, when all latches are engaged, permit the locked panels to resume their normal position on the walk-in floor or sealer (screed).

DO NOT SHORT-CUT! TAKE ENOUGH TIME TO PROPERLY ALIGN ALL SECTIONS.



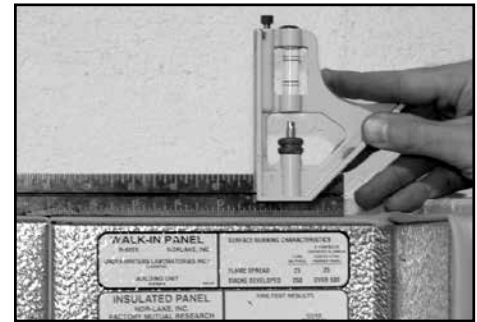
Misalignment



As each wall panel or corner panel is constructed and locked in an adjoining panel along the vertical joint, engage the section latches to the floor panels by turning the hex locking wrench **ONLY ABOUT 1/4 TURN CLOCKWISE**.



Make certain that the wall or corner panel is perfectly aligned with the floor panel or foamed sealer before engaging the section latches.



Continue constructing panels according to the part numbers shown on the floor plan, and follow, explicitly, the technique described for panel alignment.

CEILING PANELS will be constructed at specific intervals to facilitate the installation. The intermittent ceiling panel construction is scheduled to allow the ceiling panels to serve as supporting ties between opposite walls as the installation progresses.

CAUTION! DO NOT SLIDE CEILING PANELS INTO POSITION! To avoid gasket damage, elevate the ceiling section clear of the wall section while bringing it into position.

When adjoining ceiling panels are in position, adjust the exterior edges so that they are perfectly flush with one another and with the wall panels directly below them. Lock the ceiling panels securely to each other. **DO NOT LOCK** ceiling panels to wall panels at this time.

NOTE: If local conditions, such as existing building walls, make it difficult to align ceiling panels with each other from the exterior, locate a step ladder near the interior walls to visually inspect the alignment and adjust as necessary.





DOOR/DOOR SECTION

A standard door/door section consists basically of a single wall panel that contains an entrance door and several accessories. The electrical components contained in this panel were prewired at the factory. They include the anti-condensate door opening heater, the pilot light, and switch and a vapor proof interior light.

The door was factory installed on the door panel framing fixture, checked for squareness and for proper operation under controlled conditions.

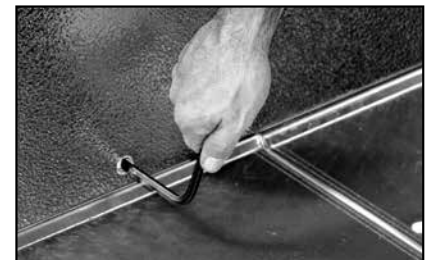
CAUTION! While installing the door/door section, extreme care must be taken to avoid twisting the panel or handling the assembly in such a manner that it is not square when it is installed. The self-closing feature, door closure operation and a perfect gasket seal all depend a great deal upon a SQUARE and PLUMB door/door section.

After all the wall and door panels have been constructed and locked securely together and all the ceiling panels have been positioned above the wall panels, the ceiling panels have been locked securely to each other, re-check the position of the ceiling panels with respect to the wall panels.

Now lock all ceiling panels securely to the wall panels.

Recheck the position of the wall panels with respect to the floor panels and lock them securely together.

NOTE: When a 1" vinyl floor sealer (screed) is used, no attachment to the wall panels is required.



**Completed
Walk-in with floor**



**Completed Walk-in floorless- shown
with vinyl floor sealer**



NOTE: If, for some reason, conditions on the site prohibit the installation of the walls and ceilings in the recommended order, install the wall and ceiling panels in a logical sequence that will permit accessibility for installation of the last panel. Remember to schedule ceiling panel installation at the proper intervals to serve as supporting ties between installed wall panels.

Locate the plug buttons which were packed in the hardware bag and, after checking to make sure that the hex wrench comes to a full stop on each section latch, insert a plug button into every latch access hole.



SLAM BRACES

The door/door section frame on most floorless walk-ins will be fitted with slam braces, one on each of the interior, vertical frame members. These braces will require attachment to the building floor.

Their purpose is to positively locate the lower extremities of the door frames and prevent any movement that might occur at the point where the door frame rests on the floor sealer (screed). When 1" vinyl floor sealers are furnished, they will be notched to accommodate the slam brace location.



The slotted holes in the vertical leg of the slam brace permit adjustment in either direction to allow the slam brace to contact the building floor properly. Fasteners suitable for securing the slam braces to a concrete building floor are packed in a bag and attached to one of the slam braces. For other types of building floors, the appropriate fastener must be provided by others.

IMPORTANT! Make sure that the door/door section is PERFECTLY PLUMB before attaching the braces to the building floor. The holes in the slam brace for attachment to the building floor are intentionally round so that no shifting can occur after they are secured. Make sure the slam braces have been secured to the building floor.



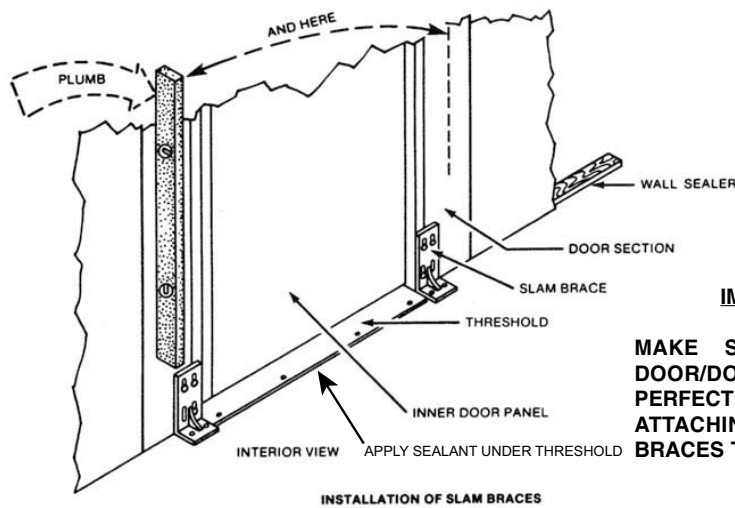
The recommended hole size for PARABOLT ANCHOR is 3/8" X 2-1/4"



Install anchor



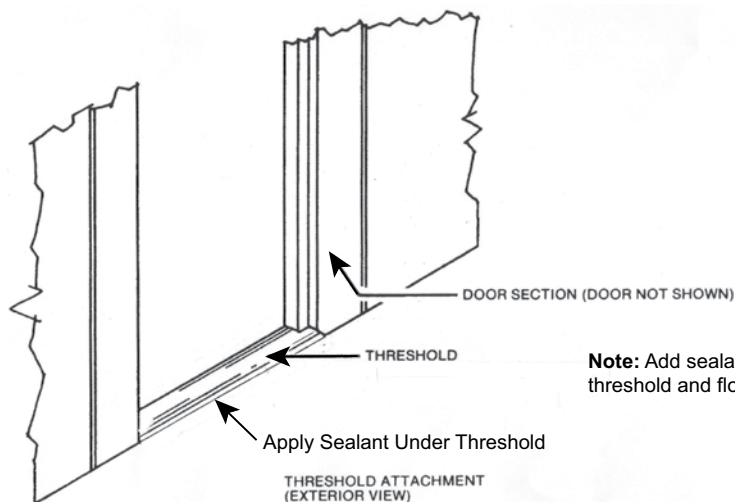
Attach slam brace with fastener provided



IMPORTANT!

MAKE SURE THAT THE DOOR/DOOR SECTION IS PERFECTLY PLUMB BEFORE ATTACHING THE SLAM BRACES TO THE FLOOR.

Figure 11



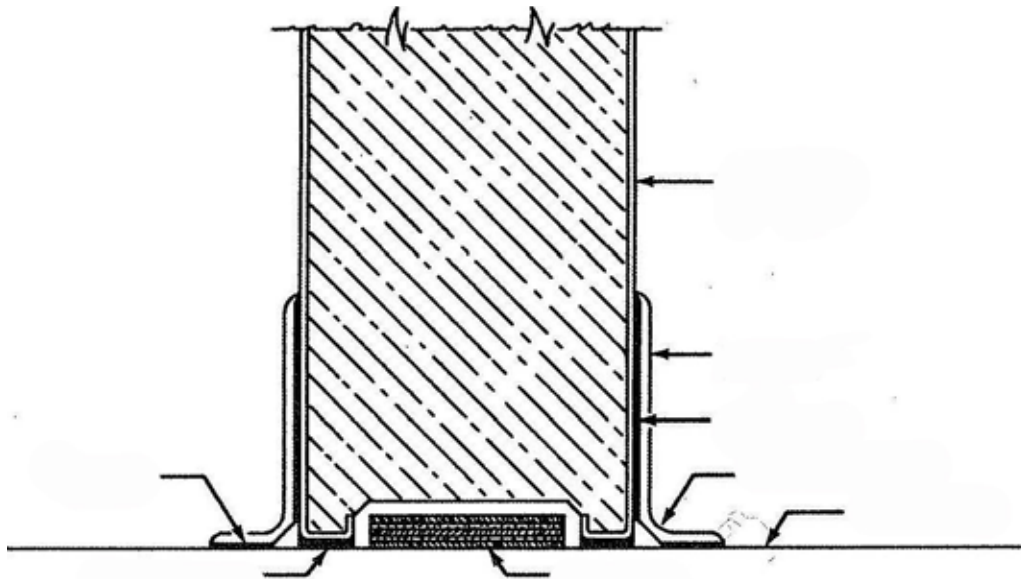
Note: Add sealant between threshold and floor to seal.

Figure 12

THRESHOLD ATTACHMENT

The threshold was attached at the factory to the lower portion of the door section and it is positioned in such a manner that no adjustment is required. It must, however, be attached to the building floor to complete the installation.

IMPORTANT! Make sure that the slam braces are securely fastened to the door section and to the building floor before attaching the threshold to the building floor. Both edges of the threshold should be attached with fasteners that are appropriate for the building floor and, since the floor surfaces vary so greatly in composition, no fasteners are provided and should be obtained by others (Figure 12).



COVE MOLDING APPLIED TO A WALL PANEL WITH FEMALE-FORMED BOTTOM END

Figure 13

SEALING THE JUNCTURE OF WALLS TO BUILDING FLOOR

Apply a generous amount of NSF approved sealant to achieve a vapor seal between the bottom edge of all wall, corner, door and partition panels and the building floor. The sealant must be applied to both inner and outer edges of all perimeter walls and to both edges of partition walls where they meet the building floor. Make certain that the sealant produces a continuous, air-tight seal, without gaps, and that special care is taken to seal around the shimming material.

After the sealant has had an opportunity to set up, trim away all excess sealant flush with the edges of the walls. Touch up any areas where the sealant is not making a perfect seal (Figure 8).

COVE MOLDING

To comply with the requirements of Standard No. 7, National Sanitation Foundation, a cove molding with a minimum radius of 1/4" must be applied to cover the juncture of the walk-in walls and the building floor. For with floor models cove molding is required on exterior walls only.

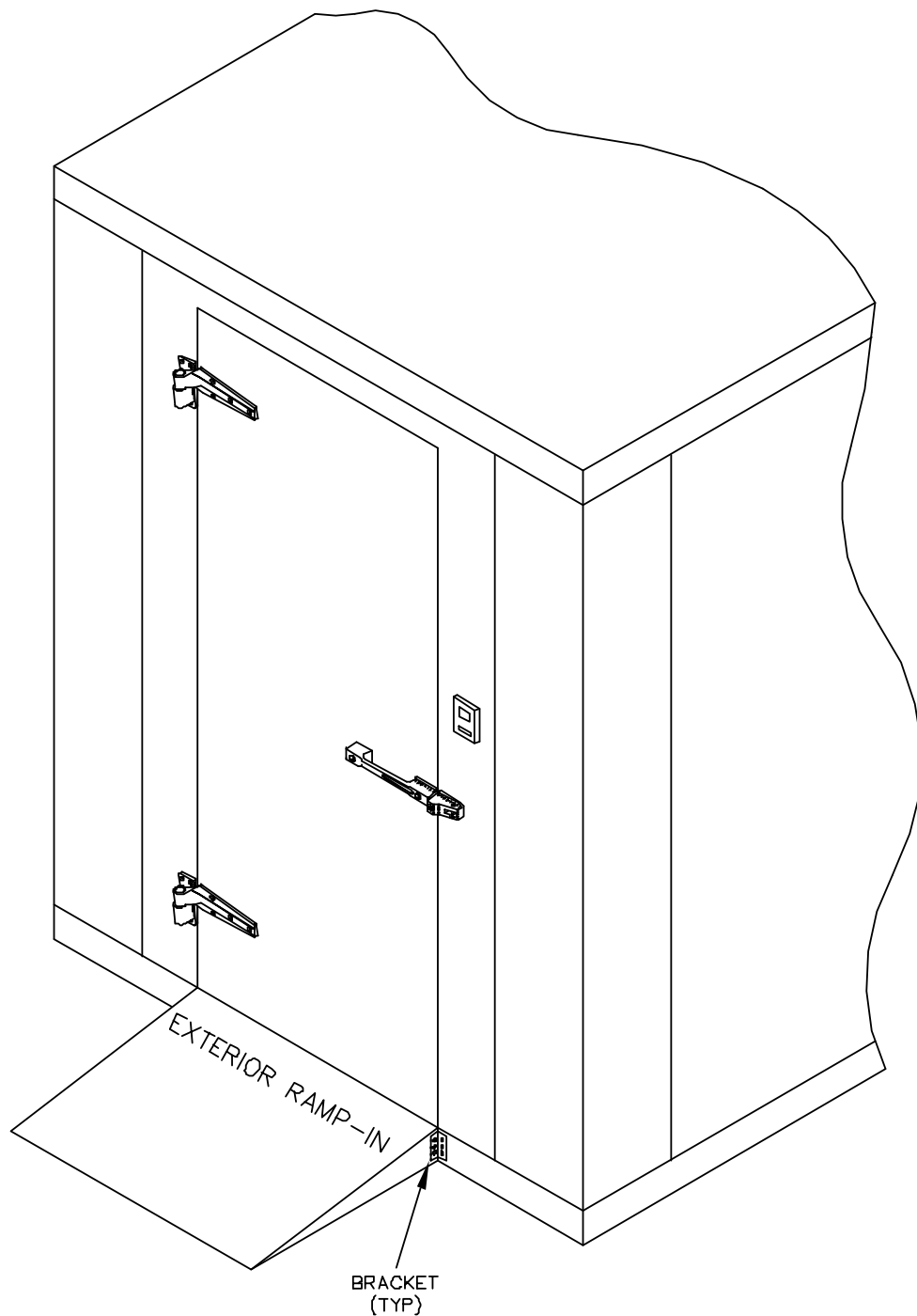
Cove molding and adhesive for application are not normally provided. They are readily available at most building materials suppliers.

Before applying cove molding, make final inspection of the area that will be covered with the molding to make sure that the sealant is intact and making perfect vapor seal. If not, add sealant as required. Read and follow the instructions prepared by the manufacturer of the cove molding and the adhesive before proceeding with the installation (Figure 13).

If tile and grout are employed as floor material and, if base tile is intended to produce the cove required, make sure that the inside radius of the base tile is at least 1/4".

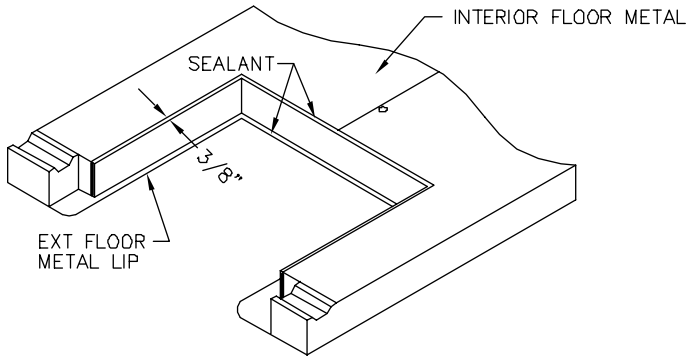
**EXTERIOR RAMP INSTALLATION INSTRUCTIONS**

Center ramp in front of door opening. Then using the 1-1/2" x 1-1/2" x 3-1/2" angle the screws provided, attach the ramp to the walk-in, as in the illustration below.



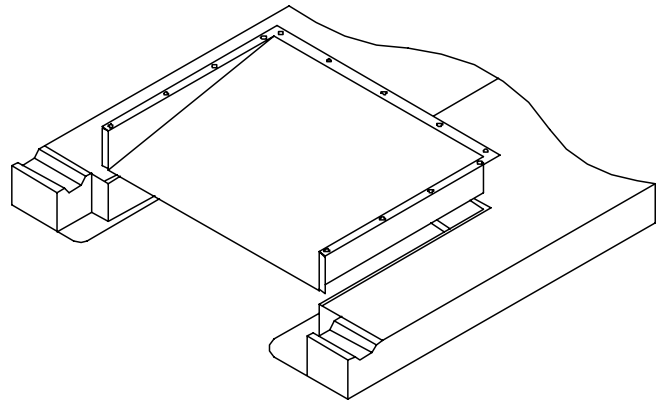


INTERIOR RAMP INSTALLATION INSTRUCTIONS



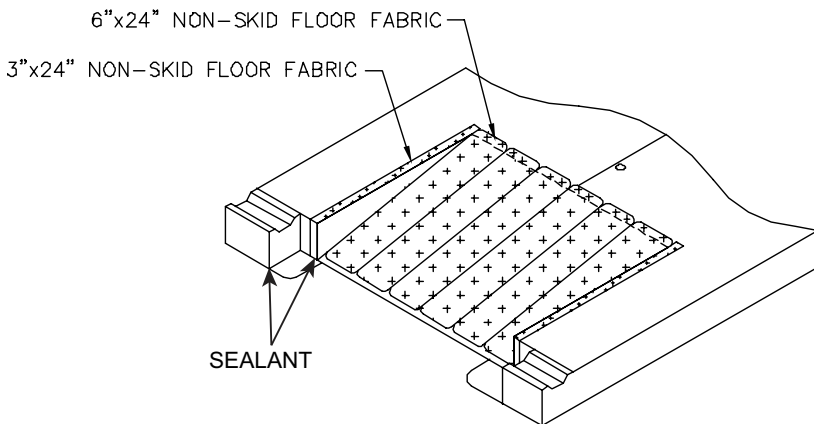
Step 1

After floor sections are in place and fully locked together, apply approximately 1/8" bead of sealant to the interior metal, 3/8" in from the ramp cut out. Also apply approximately 1/8" bead of sealant to the center of the exterior metal lip.



Step 2

Place ramp into position by lining up the pre-drilled holes in the ramp with the pre-drilled in the interior floor then secure the ramp into the floor with the #8 x 1/2" screws provided.



Step 3

Install non-skid floor fabric 6" x 24" Non-skid applied to cover ramp base and back seam of ramp to floor 3" x 24" non skid applied to cover side seam of ramp base to floor.

Apply sealant where the door section meets the interior and exterior of the floor panel and ramp. Also, apply sealant under the door threshold.



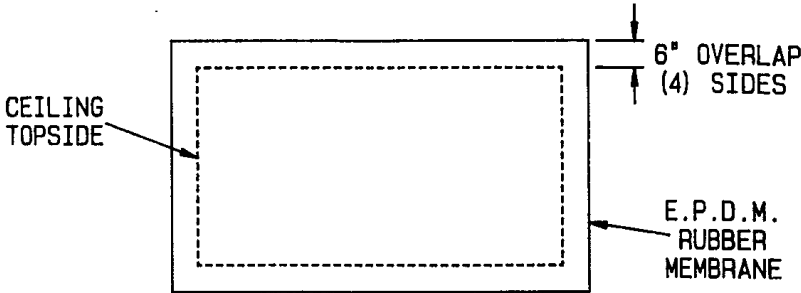
MEMBRANE ROOF INSTALLATION INSTRUCTIONS

--IMPORTANT NOTE--

IF THIS WALK- IN INCLUDES CEILING MOUNT CAPSULE-PAK™ REFRIGERATION SYSTEMS . PLEASE REFER TO CAPSULE-PAK™ REFRIGERATION INSTALLATION MANUAL.

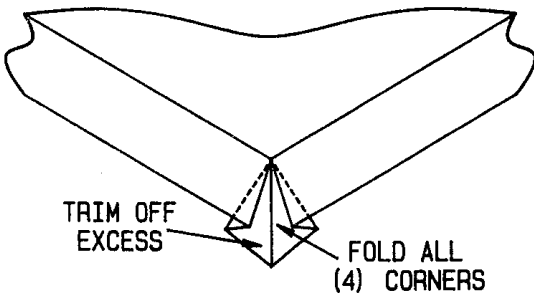
Step #1

After walk-in is completely assembled, lay E.P.D.M. over ceiling topside and trim to a 6" overlap on all four sides.



Step #2

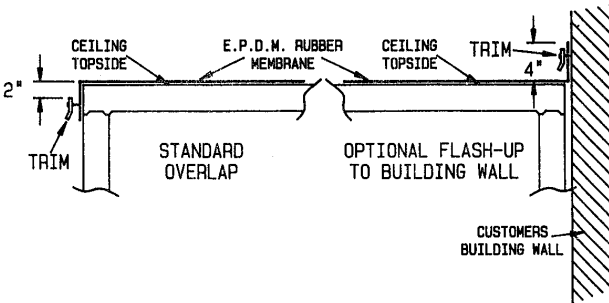
Fold all four corners as shown below.



Step #3

Attach trim, refrigeration hood and door hood by using hex headed sheet metal screws provided. All pieces are to be held down 2" from ceiling topside as shown.

Note: on some models, the trim may have to be cut to fit.



Step #4

Trim off all excess rubber membrane from under aluminum trim and hoods with utility knife.



WALK-IN INSTALLATION Electrical Connections

WALK-IN COOLER OR FREEZER WITH A SINGLE INTERIOR LIGHT MOUNTED ON THE DOOR SECTION

CAUTION: ELECTRICAL CONNECTIONS TO THE WALK-IN MUST COMPLY WITH APPLICABLE PORTIONS OF THE NATIONAL ELECTRICAL CODE AND ANY OTHER ELECTRICAL CODES THAT MAY HAVE JURISDICTION OVER THE INSTALLATION!

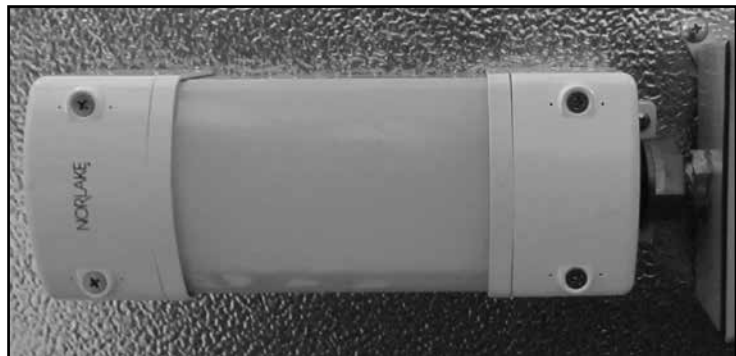


A dedicated electrical power supply circuit for the walk-in is recommended.

WARNING! DISCONNECT THE SELECTED POWER SUPPLY CIRCUIT AND ATTACH A TAG TO THE DISCONNECT SWITCH INDICATING THAT THE CIRCUIT MUST NOT BE ENERGIZED WHILE SOMEONE IS WORKING ON THE LINE.

WIRING

The cooler or freezer door panel contains several electrical components that were prewired at the factory. They include the anticondensate door opening heater, the pilot light/switch and LED interior light mounted on the door panel. **NOTE: It is the electrical contractor's responsibility to provide the necessary wiring, connections, conduit and fittings to complete the hook-up.**



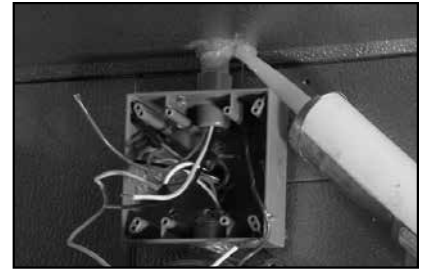
The base for the vapor proof light fixture is the junction box which contains the electrical leads that are prewired to the electrical components contained in the door section. Determine exactly where the power is to be brought into the junction box.

Affixed to the interior of the door section is a label which describes the electrical characteristics and the energy consumption described in watts and amperes.

The total energy requirement for a walk-in includes one (1) 100 watt incandescent lamp. This information is useful in determining wire sizes. **The light bulb is not furnished.**



IMPORTANT! When all field wired connections are completed in the junction box located on top of the ceiling section, be sure to THOROUGHLY SEAL the conduit fitting through which the wiring projects into the junction box. The silicone sealant provided is well suited for this purpose. Failure to do so will permit moisture to form within the junction box and electrical fixture(s) and potentially cause a short.



POSITIONING THE THERMOMETER SENSING BULB

For convenient monitoring of the temperature of the storage compartment of this walk-in, a remote reading thermometer has been installed in the door section at about eye level. It is a flush panel mount with an LED readout.



For optimum accuracy, the sensing bulb must be exposed to the air that is being monitored. Make certain that the sensing bulb is not positioned near the interior light or any other heat producing device, nor should it be located where stored products shield the sensing bulb from the circulating air pattern within the walk-in. The long sensing lead is more than adequate to provide an ideal sensing bulb placement on the inside surface of the door section or an adjacent wall or corner panel. When the location is finalized, an adhesive backed, plastic clip is used to secure the sensing bulb to that surface.



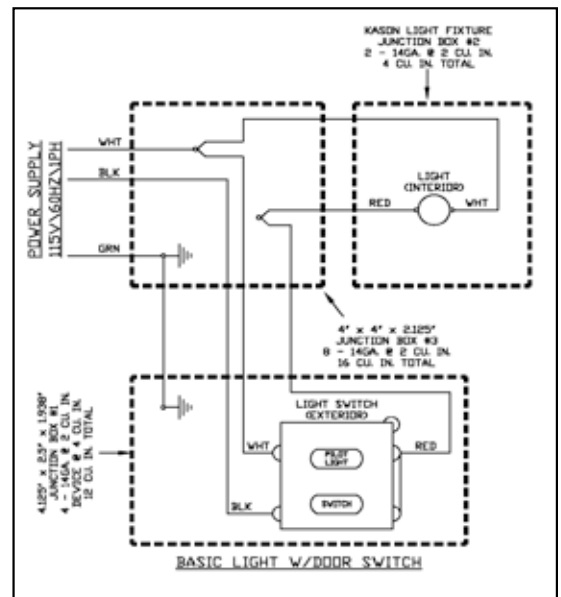
To prevent possible damage to the door opening heater and/or to the protective globe over the interior light, DO NOT energize the door/door section until the interior temperature has been reduced to the normal operating range by refrigeration. A caution label is affixed to the door section near the vapor proof light to serve as a reminder.



PRESSURE RELIEF PORT

If a pressure relief port is supplied, connect it to a 115V/60/1 VAC power supply.

WIRING DIAGRAM: A wiring diagram showing the electrical components contained in the door/door section circuitry involved as shown. Always refer to the wiring diagram if it becomes necessary to replace any of the components.





ADJUSTABLE HINGE

Nor-Lake 26", 30", & 36" wide walk-in doors are provided with an adjustable hinge. The adjustable hinge provides the ability to square a door within the door jamb.

If a door requires adjustment:

Open the door and you will find a small chrome plug button, on the edge of the door behind the upper hinge. Before any adjustment you must first slightly loosen the screws on the hinge strap on the door. Then pop off the chrome plug button. Now you can access the adjustment screw. You should only make minor adjustments and then close the door to view if the adjustment rectified the situation. When complete replace the chrome plug and re-tighten the screws on the hinge strap.

NOTE: On doors with a kick plate you may have a center (3rd) hinge. In this case there is a 2nd adjustable hinge. You will need to loosen the screws on both the top and center hinge(s) and make minor adjustments in both areas.

REPLACEMENT OF THE MAGNETIC DOOR GASKET ASSEMBLY

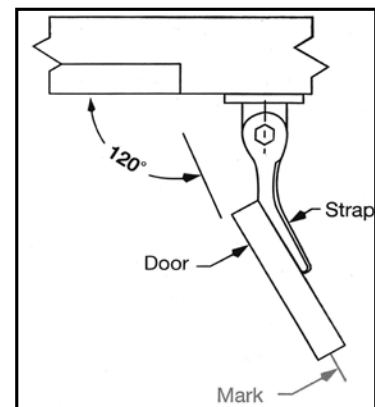
For your convenience and safety, it is advisable to remove the entire door assembly from the walk-in cooler or freezer before attempting to replace the door gasket. Prepare a smooth, clean surface on which the exterior surface of the door assembly can be placed without marring or scratching the finish.

DOOR ASSEMBLY REMOVAL - ALL FOAMED WALK-IN COOLER OR FREEZERS WITH CAM LIFT HINGES



NOTE: For doors equipped with a spring hinge, see the door removal instructions label on the interior of the door near the top hinge. When removing the door assembly from any walk-in, solicit the aid of an assistant during the door removal and replacement procedures.

1. Open door to dwell position, stopping at approximately 120°.
2. Put mark on floor to indicate position of door, see sketch.
3. Lift door off frame.
4. To replace door, line up door with mark on floor.
5. Place hex hole in hinge straps over hex rods and lower door.



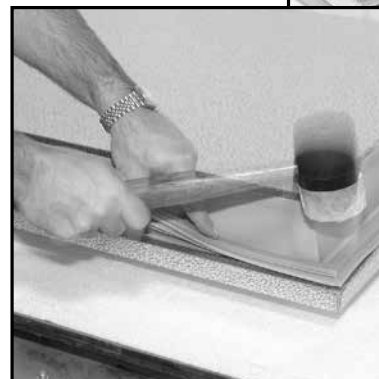
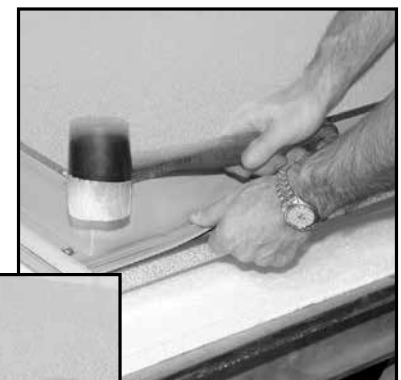
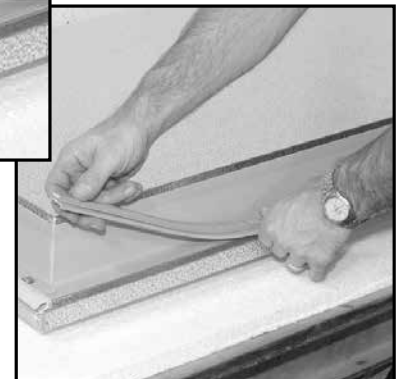
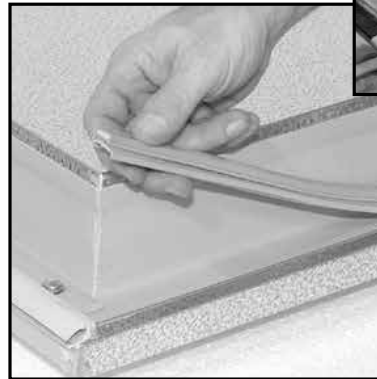
RESETTING SPRING HINGES

For the top spring-loaded hinge, you will need to reset the spring/hexagon pin. With the door installed, closed and locked, remove the screws from the spring loaded hinge strap on the door only. You will need to hold the hinge strap against the door to prevent the strap from springing out towards you after the screws are removed. Remove the strap portion from the door by pulling upward. Hold the strap portion above the remainder of the hinge so that the strap is flat against the door. Bring the strap portion back down towards the door so that it meets the hexagon pin. You have now reset the spring. Insert the screws back into the strap and door. Note: Under normal conditions, the spring has no tension when the door is closed.



DOOR GASKET REPLACEMENT

1. Place the door, exterior face down, gasket up, on a clean, smooth surface that will not mar or scratch the finish.
2. The magnetic door gasket consists of a cavity containing the magnetic strip, a bellows cavity that permits the gasket to conform to irregular surfaces, and a base section that features a dart-shaped projection that serves as the attachment means when it is forced into the slot in the door breaker.
3. To remove the original magnetic gasket assembly, grasp the gasket at one of the corners and pull the dart-shaped projection out of the retainer slot in the door breaker. Pull slowly and examine your progress to avoid tearing the projection which will then remain in the retainer slot.
4. Remove the entire gasket assembly and examine the retainer slot to make sure that it is free of gasket material or other debris.
5. Starting at one corner, insert the dart-shaped projection of the replacement gasket into the retainer slot and, using a rubber mallet, drive the dart into the retainer slot. HINT: Cover the face of the rubber mallet with masking tape to prevent smudging the gasket. Attach only about two inches (2") of the gasket in each direction away from the corner.
6. Use the same procedure as in Step 4 at the remaining corners and also midway between the corners on the long sides of the door.
7. Using the rubber mallet, drive the dart into the retainer slot working from the center of each side toward the corners.
8. Lift the gasket base on the outer edge of the gasket and examine the gasket to determine if the dart is engaged by the retainer slot around the entire perimeter of the door, except where the sweep gasket is attached. If the dart has failed to engage in some areas, a small, slotted screwdriver blade can be used to tuck the dart into the slot.
9. Replace the door assembly. Simply reverse the instructions in the "Door Assembly Removal" section.





SWEEP GASKET

The sweep gasket was factory installed and tested for proper operation before shipment. It features a unique cross-section designed to not only seal the gap between the bottom of the walk-in door and the threshold or building floor, but its off-set configuration closes an opening that is normally created at both ends of a conventional sweep gasket. It is attached to the lower edge of a walk-in door assembly with 3/4" pan head sheet metal screws and flat washers.

The sweep gasket extrusion consists of three distinct durometers (hardness) of vinyl extruded in a one-piece profile. The rigid area forms the attachment section. The flexible portion forms the sweep projection and provides the end seal and an extremely flexible lip that contacts the threshold or building floor, depending upon the installation.

OPERATION

As soon as the door opening sequence begins, the cam-lift hinges begin raising the door and the sweep gasket releases its contact with the threshold or building floor. At approximately 90° from the face of the walk-in, the door will reach the "hold open" position and will no longer rise by cam action. The sweep gasket will be lifted about 3/8" above the threshold or building floor. When in the closed position, the extremely flexible lip of the sweep gasket should merely brush the threshold or building floor along its entire length.



ADJUSTING THE SWEEP GASKET

(Initial Installation)

With the door COMPLETELY CLOSED, the proper distance between the bottom of the rigid attachment area of the sweep gasket and the threshold or building floor MUST BE 1/2".

If this dimension is less than 1/2", the sweep gasket will wear prematurely and will produce excess friction for the door closer to act against during the door closing sequence.

If this dimension is greater than 1/2", the lower lip will not contact the threshold or building floor and the seal will be compromised, permitting air infiltration to occur in this area. Measure both ends of the sweep gasket with the door closed and adjust until exactly 1/2" is attained.

ADJUSTING THE SWEEP GASKET

(Normal Wear)

After considerable usage, if examination reveals that the lower lip of the sweep gasket has worn to a point where noticeable air infiltration is occurring, merely loosen the attachment screws and the lower the gasket only enough to permit the lower lip to brush the threshold or building floor while the DOOR IS IN THE CLOSED POSITION. Do not lower the gasket more than is necessary! Tighten the attachment screws and check the operation.



DOOR CLOSER

The door closer was factory-installed and tested for proper operation before shipment. This small, but powerful device provides smooth and positive closing with only a minimum of attention. No lubrication of any kind is required. It is recommended that, at least once each month, the relationship of the hook and roller to each other be examined.



Correct with Door Closed



Correct with Door Open

To become familiar with the various components of the closer, see photo of a closer properly engaged when the walk-in door is closed.

Since the door closer in itself is literally non-adjustable, any adjustment that becomes necessary must be accomplished at the closer hook.



Roller Too Low

CAUTION: DO NOT ATTEMPT TO BEND THE HOOK as a means of adjustment. The hook is formed and tempered to resist deformation during normal use.

ROLLER IS TOO LOW: Loosen all hook bracket screws and add flat washer(s) between the bracket and the header where the TOP two screws will keep them in place. Tighten the screws and check the hook position.



Roller Too High

ROLLER IS TOO HIGH: Loosen all hook bracket screws and add washer(s) between the bracket and the header where the BOTTOM two screws will keep them in place. Tighten the screws and check the hook position.

If, for any reason, the roller arm is accidentally bumped into a vertical position while the door is open, IT MUST BE MANUALLY MOVED TO THE HORIZONTAL POSITION before the door is closed. Failure to do so may cause serious damage to the door and/or the door closer.



A warning label is affixed to the door section as a reminder.



ANTI-CONDENSATE DOOR OPENING HEATER

To prevent condensate from forming around the outer edges of the door opening, an anti-condensate heater has been installed around the perimeter of the door opening. This constant-energy, low wattage, electric heater wire elevates the temperature of the door jambs and threshold sufficiently to maintain these surfaces above the dewpoint temperature of the surrounding air preventing condensation.

Failure of the heater wire is usually suspected when condensation forms around the perimeter of the door opening. Moisture accumulates to a point where it causes a problem on the building floor, or when the condensate freezes around the door opening, as will be the case when a walk-in freezer is involved. There is no cause for alarm, however, if occasionally a few drops of moisture form during a period of EXCEPTIONALLY HIGH HUMIDITY.

NOTE: The heater wire is designed to provide the proper amount of heat to the surfaces around the door opening WHILE THE WALK-IN IS AT DESIGN TEMPERATURE! Premature failure will result if the heater wire is energized over an extended period of time while no refrigeration is occurring within the walk-in cooler or freezer.

HEATER WIRE REPLACEMENT

Three pieces of trim and the threshold must be removed to gain access to the heater wire. The trim serves as the cover of the heater raceway at the side jambs and the head jamb. The threshold covers the heater channel in the bottom plate of the door section.

THRESHOLD REMOVAL

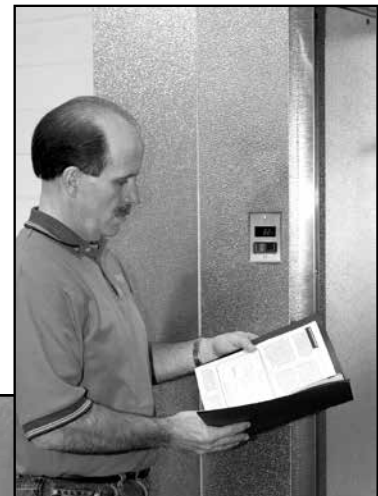
WARNING! Make sure that the electric power to the walk-in is disconnected before attempting to replace door heater.

To remove the threshold, remove all visible screws that attach the threshold to the walk-in floor or to the building floor. Three screws attach the threshold to the bottom plate of the door section. When all screws are removed, pry the threshold up until it is free and remove it from the floor section.



STAINLESS STEEL TRIM REMOVAL

Use a screwdriver to remove four screws on each of the three trim pieces. Remove each trim piece in turn. This will expose the heater wire and hardboard spacer strip.





Again, MAKE SURE THAT THE POWER IS DISCONNECTED and remove the cover plate from the pilot light and switch on the front of the door section. Remove the two screws that attach the pilot light and switch assembly to the switch box and pull the pilot light and switch assembly out of the switch box enough to expose the terminal screws on the device.

Examine the wiring in the switch box and identify the two black leads from the heater wire that are connected either to two switch terminals or to one switch terminal and to a wire connector. Refer to the wiring diagram of the walk-in cooler in the "Electrical Connections" section of this manual. HINT: After positively identifying the two leads to the heater wire, cut the leads off, but leave an inch or two remaining on the switch terminal(s) and/or wire connector. In so doing, these short lengths of lead will positively identify the proper points of connection when the replacement heater is installed. Remove the original heater wire from the jambs and threshold and discard it.



INSTALLATION OF THE REPLACEMENT HEATER



Insert the two lead wires of the replacement heater into the access hole in the heater wire raceway that leads to the pilot light and switch junction box. **NOTE:** The section where the lead connects to the heater wire SHOULD NOT BE BENT! Locate the connector sections as close as possible to the access hole, but KEEP THEM STRAIGHT! Secure the connector sections in place with a short piece of electrical tape.

Temporarily arrange the heater wire assembly.



Using small pieces of electrical tape, fasten the heater wire in place. Lift the heater wire at each corner and apply three thicknesses of electrical tape around the insulation over a length of approximately 3".

Follow by forming a small loop at each corner to permit expansion and contraction of the heater wire without strain at these points. After the loops are formed, tape them in place with a short strip of electrical tape.

The heater wire should be relatively straight in the head jamb and in the side jambs, but all excess heater wire must be taken up in the THRESHOLD AREA ONLY by forming a "zig-zag" configuration. Make sure that this configuration will be accommodated by the width of the raceway in the bottom plate or threshold. The extra length of heater wire concentrated in the threshold will produce more heat per foot in the threshold than in the jambs.

After the heater wire is in place, tape it down where necessary with short strips of electrical tape to prevent the heater wire from interfering with the replacement of the chrome trim.



STAINLESS STEEL TRIM REPLACEMENT

Start replacing the stainless steel trim with the head trim section. Hold in place while replacing the three screws. Install the right and left trim in a similar manner. The trim should easily be replaced by hand.



THRESHOLD REPLACEMENT

Place the threshold in its original location and replace all of the screws in their original locations. Reminder:

The hardboard needs to be in place before replacing the threshold. After the threshold is secured, apply a 3/16" bead of silicone sealant at both ends of the threshold where they meet the side jambs. With a wet finger, smooth out the silicone fillet for a neat, professional looking job.



ELECTRICAL CONNECTION

Referring to the wiring diagram in the "Electrical Connections" section of this manual, connect the heater wire leads as shown. If short lengths of the lead wires were left as indicators, connect the replacement heater leads to those points of connection and discard the short indicator lengths.

NOTE: If one of the heater leads connects to another wire through a wire connector, obtain a properly sized, twist-on wire connector for this purpose.

Replace the pilot light and switch in the switch box and attach the switch cover to complete the job. Energize the walk-in cooler to resume operation.

PANEL CLEANING AND MAINTENANCE RECOMMENDATIONS

During the course of uncrating, handling and installation, the panel surfaces of your walk-in cooler or freezer may have become stained or dirty. Cleaning all metal type surfaces, door trim and gaskets can be performed with a mild detergent and hot water. It is important that you remove all excess soap and dry the surfaces thoroughly. Never, under any circumstances, use an abrasive or alkaline solution.

Occasionally it may become necessary to clean the interior surface for sanitary purposes. A mild solution of baking soda and warm water will tend to impart a clean, sweet smell to the interior should odors occur from spillage or container breakage. Never leave standing water inside the walk-in cooler or freezer.

Warning: Walk-in floor must be kept free of any liquids, food particles or any items that could cause a slip hazard. Spilt liquids, food particles or any moisture on the walk-in floor can cause the floor to become slippery. Keep the floor surface clean and dry at all times.

- Inspect non-skid floor strips on ramps and floor surfaces and replace if worn.
- Inspect refrigeration system, door gaskets and hardware for proper operation to prevent moisture on walk-in floor, ceiling or walls.
- Avoid leaving entry doors open for more than a five minute period of time, which can cause a film of ice to form on floor, ceiling and wall surfaces due to the excessive condensation of warm moist air entering the walk-in. Vinyl strip curtains can be used to reduce the amount of warm moist air entering the walk-in.



Final Checklist for Installation of Nor-Lake, Inc. Walk-in and Refrigeration

Location#

Sales Order #

Dear Refrigeration Contractor:

Our goal is to supply our customers with the best equipment available. This is accomplished by combining the highest quality commercial refrigeration equipment with a craftsman like installation that meets all factory requirements. This document will help you understand and verify the installation meets these requirements.

This document is to be used in conjunction with the Nor-Lake Installation and Operation Instruction Manual and the floor plan drawings provided with the product.

When the job is complete and equipment is running to factory specifications, the attached inspection report must be filled out completely and returned to Nor-Lake.

If there are any questions, concerns, service or parts needs, please contact the Nor-Lake Installation Department at 877-503-5253 or fax to 715-386-4293. Please have the equipment model number and serial number at the time of your call.

Things to Verify When Inspecting an Installation:

(Shaded areas to be filled out by the installing refrigeration contractor)

Walk-In	Yes	No	Repairs Made	GC Review *
1. Were any components that were to be supplied by Nor-Lake missing from the delivery? Verify all the components delivered to the job site match the Nor-Lake packing list.				
2. Is the surface that the walk-in is to be installed upon smooth and level to within plus or minus 1/2" over the length of the slab? (It is recommended a string level or laser level be used to verify the slab meets these requirements.) The walk-in shall not be installed if the levelness of the slab does not meet these requirements.				
3. Was the 6 ml polyethylene film vapor barrier installed prior to the floor panels being installed?				
4. Is the walk-in centered in the space provided with a minimum of 2" clearance between the walk-in and building walls on each side?				
5. Are the cavities between the building envelope and walk-in external walls free of debris and remain unobstructed?				
6. Are there any damaged panels or other components, dents or unsightly scratches in the supplied walk-in floor, wall or ceiling panels?				
7. Is the base of the walk-in caulked around the perimeter?				
8. Are all of the wall panels level across the top? Are walls plumb and ceiling level?				
9. Are there any gaps identified between wall panels following engagement of the lock and strike? The panel gasket must be in contact with the metal edges of both panels.				
10. Is the door section and door plug plumb and level? Does the door close properly? (Verify door closing by opening the door to 90°. Door must close and seal without any assist).				



11. Are the lights installed, connected to the light switch and operating correctly? 12. Have all electrical and other penetrations been properly sealed as recommended by Nor-Lake? 13. Is the temperature sensor extended away from door and mounted on the wall? 14. Is the strip curtain mounted in place and secured? 15. Are the refrigerant piping and electrical cable supported and strain free? 16. Is the serial tag correctly installed? 17. Has the surplus construction material been removed from the top of the walk-in? 18. Does the installation look professional?		
--	--	--

Note: Nor-Lake recommends pictures be taken after the installation is complete.

- 1). Exterior door section (full view)**
- 2). Evaporator section (after installation)**
- 3). Condensing Unit (after installation)**

Final Inspection of the Walk-in and Refrigeration Systems	Yes	No	Repairs Made	GC Review *
Have the installation and maintenance manuals, wiring diagrams and other walk-in documents been turned over to the end user?				

Walk-In Model Number(s) _____

Walk-In Serial Number (s) _____

By signing below the installer hereby certifies that the installation has been completed in compliance with Nor-Lake's standards and to Nor-Lake's specifications. Items found not in compliance will be corrected by the installing contractor at no charge.

Refrigeration / Installation Contractor Name: _____

Refrigeration / Installation Contractor Signature: _____ Date: _____

General Contractor Name: _____

General Contractor Signature: _____ Date: _____

Contact Nor-Lake Installation

Nor-Lake, Inc.
 Attn: Installation Department
 Hudson, WI 54016
 (877) 503-5253



Nor-Lake, Incorporated
727 Second Street
Hudson, Wisconsin 54016

800-955-5253 Foodservice Sales
800-477-5253 Scientific Sales
800-388-5253 Parts/Service
715-386-2323
715-386-6149 FAX
Email: service@norlake.com
www.norlake.com





Refrigeración de calidad desde 1947

**MANUAL DE
INSTALACIÓN
DE CÁMARA
FRIGORÍFICA
PARA:
KOLD LOCKER™
FAST TRAK®
FINELINE™
MINI ROOMS
ENVIRO-LINE**



Nor-Lake, Inc.
Registered to ISO 9001:2008
File No. 10001816



Introducción	3
Política de Seguridad del Producto	4
Herramientas necesarias	5
Información General	6-10
Desembalaje e Inspección	6
Almacenamiento Panel de espuma	8
Sección Construcción Diagrama los pestillos	9
a Pie de Suelo de Instalación	10
Instalación	11-33
Selección del Sitio, preparación de	12
Paredes y techos Construcción Panel	14
de puerta / Puerta	22
Rampa Exterior de la parte	25
Rampa interior de la parte	29
del techo Membrana Rampa	30
las Conexiones Eléctricas	31
Cableado	32
a pie de	32
Piezas de la puerta de mantenimiento	34-41
Conexión eléctrica	34
Comprobación final para la instalación	41
Final Checklist for Installation	42-43



Los Sistemas de calidad de Nor-Lake, Incorporated han sido registrados por UL a ISO 9001:2008.

Su Cámara frigorífica (congeladora) Nor-Lake tiene un diseño de calidad y fue fabricada bajo rígidos controles de producción. Cuenta con la más avanzada tecnología de fabricación y técnicas de diseño innovadoras que proporcionan máxima conveniencia para el usuario.

Guarde este material de mantenimiento y consulta en un lugar a mano para poder resolver de inmediato cualquier duda que tenga con respecto a su Cámara frigorífica Nor-Lake. Este manual ha sido diseñado no sólo para servir como guía durante el proceso de instalación, sino para que su dueño pueda consultarlo en el futuro. Contiene información relacionada con el funcionamiento de sus distintos componentes, detalles de cableado eléctrico, procedimientos de mantenimiento y técnicas de ajuste o métodos de reemplazo para algunas piezas.

Tómese su tiempo y lea todas las secciones de este manual. Será recompensado con una mejor comprensión de su equipo y ganará conocimiento del producto; esto lo ayudará a conseguir el rendimiento que usted espera de su Cámara frigorífica Nor-Lake.

Atentamente,

NOR-LAKE, INCORPORATED

A handwritten signature in cursive script that reads "Kevin Fink".

Kevin Fink
Presidente

CUALQUIER CORRESPONDENCIA RELACIONADA CON ESTE EQUIPO DEBE CONTENER EL NÚMERO DE MODELO O EL NÚMERO DE TRABAJO Y EL NÚMERO DE SERIE QUE APARECEN EN LA PLACA SITUADA EN EL INTERIOR DE LA SECCIÓN PUERTA.

NOR-LAKE, INC.

727 Second Street

Hudson, WI 54016

800-955-5253 Ventas

715-386-2323

800-388-5253 Repuestos/Servicio

Fax: 715-386-6149

www.norlake.com



PÓLIZA DE SEGURIDAD DEL PRODUCTO DE NOR-LAKE, INC.

Nos esforzamos para proveer a quienes compran o usan nuestros productos equipos que son:

1. Desarrollados aplicando los principios de ingeniería de investigación de productos, desarrollo y seguridad del usuario.
2. Diseñados para cumplir o aún exceder los estándares de rendimiento y las reglas de seguridad de la industria.
3. Revisados minuciosamente y probados profesionalmente para comprobar la función, confiabilidad y seguridad del producto.
4. Fabricados conforme a nuestros estándares de compras profesionales, producción y control de calidad, establecidos para asegurar una continua confiabilidad en el producto y para su seguridad.
5. Representados en nuestra publicidad y/o literatura acerca de los productos de un modo de informativo y práctico para ayudar a nuestros clientes a seleccionar el producto.
6. Acompañados por instrucciones claras y completas de instalación, operación y mantenimiento, pensadas para asegurar muchos años de rendimiento satisfactorio del producto.
7. Es sólo a través de usted, nuestro cliente satisfecho, que podemos continuar con nuestros éxitos anteriores tanto en diseño como en desarrollo y fabricación de equipos de refrigeración.
8. Nor-Lake, Incorporated se reserva el derecho de realizar mejoras a nuestros productos sin aviso y sin contraer ninguna obligación de implementar tales modificaciones en los productos previamente fabricados.

Advertencia: El piso de acceso debe mantenerse libre de líquidos, partículas de alimentos o cualquier elemento que pueda provocar riesgos de resbalones. Los líquidos derramados, las partículas de alimentos o cualquier humedad en el piso de acceso pueden hacer que el piso se vuelva resbaladizo. Mantenga la superficie del piso limpia y seca en todo momento.

- Inspeccione las cintas antideslizantes para pisos en rampas y superficies del piso, y reemplácelas en caso de desgaste.
- Inspeccione el sistema de refrigeración, las juntas de puertas y los accesorios para su correcto funcionamiento a fin de evitar la humedad en el piso de acceso, el techo y las paredes.
- Evite dejar las puertas de entrada abiertas por más de cinco minutos, lo que puede provocar que se forme una película de hielo en el piso, el techo y las paredes debido a la condensación excesiva del aire húmedo caliente que ingresa al área acceso. Se pueden usar cortinas de cintas de vinilo para reducir la cantidad de aire húmedo caliente que entra al área de acceso.

NOR-LAKE, INC.

727 Second Street
Hudson, WI 54016
800-955-5253 Ventas
715-386-2323
800-388-5253 Repuestos/Servicio
Fax: 715-386-6149
www.norlake.com



HERRAMIENTAS NECESARIAS PARA DESEMBALAR Y MONTAR SU CÁMARA FRIGORÍFICA NOR-LAKE



- NIVEL
- PISTOLA DE CALAFATEO
- CINTA MÉTRICA
- GAFAS DE SEGURIDAD
- MARTILLO
- TIJERAS PARA CORTAR METAL
- PALANQUETA
- DESTORNILLADOR PHILLIPS
- LLAVE ALLEN
- CUCHILLO PARA USO GENERAL
- ESCUADRA
- TALADRO



INSTALACIÓN DE LA CÁMARA FRIGORÍFICA

Información general

Esta cámara frigorífica o congeladora fue producida utilizando lo último en tecnología de fabricación, los materiales de más alta calidad disponibles, junto con innovaciones que la hacen un producto destacado en su campo. A pesar de los rígidos controles en la producción del producto, se debe leer cuidadosamente y **COMPRENDER** las instrucciones que siguen. El resultado será una instalación ordenada y eficiente. ¡Tómese el tiempo para seguir los pasos minuciosamente!

NOTA: El paso más importante es comenzar con una superficie a nivel.

NOTA: Las cámaras frigoríficas de interior deben estar en lugares con ambiente controlado. La humedad relativa debe mantenerse entre 30% y 60%, manteniendo un punto de condensación de 50°F o inferior.



Recibo de entrega

DESEMPACAR/INSPECCIÓN

Compruebe en el recibo de entrega el número de piezas que componen el envío y asegúrese de que el número de palets, cajas o cajones coincidan con ese número. Cada pieza debe estar claramente marcada con el mismo número de orden de cinco dígitos que aparece en el recibo de entrega como número de envío. Cada cámara frigorífica está codificada con colores.

Examine la condición general del envío y, tan pronto como termine el desempaque, inspeccione cuidadosamente todas las piezas para comprobar la posibilidad de un daño durante el envío. Si se descubren piezas dañadas, contacte inmediatamente a Nor-Lake.



Kold Locker™ Cámara frigorífica con montaje de techo Capsule Pak™ Sistema de refrigeración



Kold Locker™ Walk-in with Remote Capsule Pak™ Sistema de refrigeración



Busque la lista de empaque y úsela como referencia durante el desempaqué.



Quite el empaquetado protector y localice el saco con artículos de ferretería.

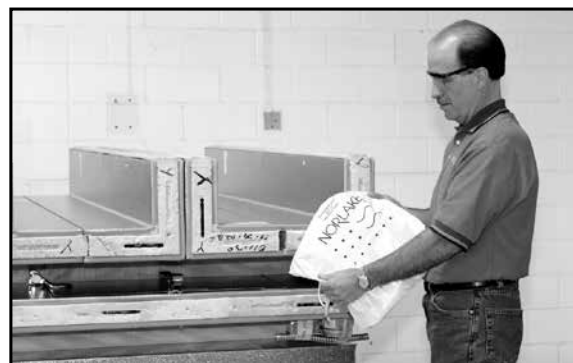
El saco con artículos de ferretería también contiene piezas accesorias para esta cámara frigorífica junto con un diagrama de montaje, un esquema del ensamble del enraste para cámaras sin piso y una lista de empaque detallada de todas las piezas provistas para esta cámara frigorífica en particular. Se debe corroborar que estén todas piezas de la lista de empaque.

Si encuentra alguna diferencia, contáctese con Nor-Lake inmediatamente.

Algunas cámaras vienen con una caja adicional color naranja con elementos de ferretería.

LINE	PRODUCT NUMBER	DESCRIPTION	SHIP QTY	BACKORDER
Nor-Lake, Incorporated Second & Elm Street Hudson, WI 54016-0248 S. O. NUMBER 17501 CUST. PO NO 455413 Bill-To: _____ Ship-To: _____				
1	KLP66-CL	FREEZER 6X5X6-7, CL MT, LH	1	
CONSISTING OF:				
	018950	2 X 6 CL SECT O/S F G AL/G AL	1	
	02751A	4X6 CL O/S MA W/RD DF GA/GA	1	
	027573	1 X 1 X 6 CRN PANEL GA/GA	4	
	027578	4 X 6 WALL PANEL GA/GA	3	
	028803	6"HL L.H. 26"X66" DR SECT	1	
	108270	4 X 6 FL SECT O/S MA GA/AF	1	
	108293	2 X 6 FL SECT O/S FE GA/AF	1	
	116499	6" PALLET ASSY (WALL, CL, FL)	1	
	122957	HARDWARE BDX KL W/FL FOODSERVI	1	
	CPF075DC-A	CPFTSC CAPSULE PAK R404	1	
2	KLB603-CR-SUB	KL BEER CLR 6XRX6-7 CL MT RH	1	
CONSISTING OF:				
	018952	4 X 6 CL SECT O/S F G AL/G AL	1	
	027561A	4X6 CL O/S MA W/RD DF GA/GA	1	
	027573	1 X 1 X 6 CRN PANEL GA/GA	4	
	027578	4 X 6 WALL PANEL GA/GA	3	
	028804	6"KL R.H. 26"X66" DR SECT	1	
	025093	1" X 6" WALL PANEL GA/GA	2	
	025094	2" X 6" WALL PANEL GA/GA	1	
	108247	4 X 6 FL SECT O/S FE GA/AF	1	
	108270	4 X 6 FL SECT O/S MA GA/AF	1	
	116499	6" PALLET ASSY (WALL, CL, FL)	1	
	122957	HARDWARE BDX KL W/FL FOODSERVI	1	
	CPB075DC-A	CPBTSC CAPSULE PAK R404	1	

Lista de empaque





ALMACENAJE DEL PANEL DE PLÁSTICO ESPONJOSO

Si los paneles de espuma de la cámara necesitan ser almacenados en el sitio de trabajo antes de la instalación, debe seguir los siguientes pasos para proteger los paneles, tanto contra las manchas de humedad como contra la luz del sol y de abolladuras causadas por los trabajadores o el tránsito.

Siempre que sea posible, los paneles se deben almacenar en interiores y deben permanecer en los pálets de cajas en los que fueron transportados originalmente. Si se sacaron los paneles de las cajas al descargarlos del camión, y se los almacena en interiores, se deben almacenar verticalmente en polines con espaciadores entre los paneles.

Al almacenar los paneles en posición vertical, siempre coloque el borde hembra del riel (estriado) hacia abajo (ver la ilustración de más abajo). Este método de almacenamiento de los paneles proporcionará una ventilación adecuada, permitirá que se seque la humedad de condensación y protegerá los paneles de la formación de manchas blancas de moho.

Si los paneles deben ser almacenados en el exterior, siga el mismo procedimiento indicado para el almacenamiento en el interior CON ESTE AGREGADO: Cubra los paneles completamente con material de polietileno opaco a prueba de agua para protegerlos de la lluvia, nieve, calor y luz solar.

La ilustración de abajo muestra el método para almacenar a la intemperie cuando los paneles no han quedado en los cajones sobre pálets.

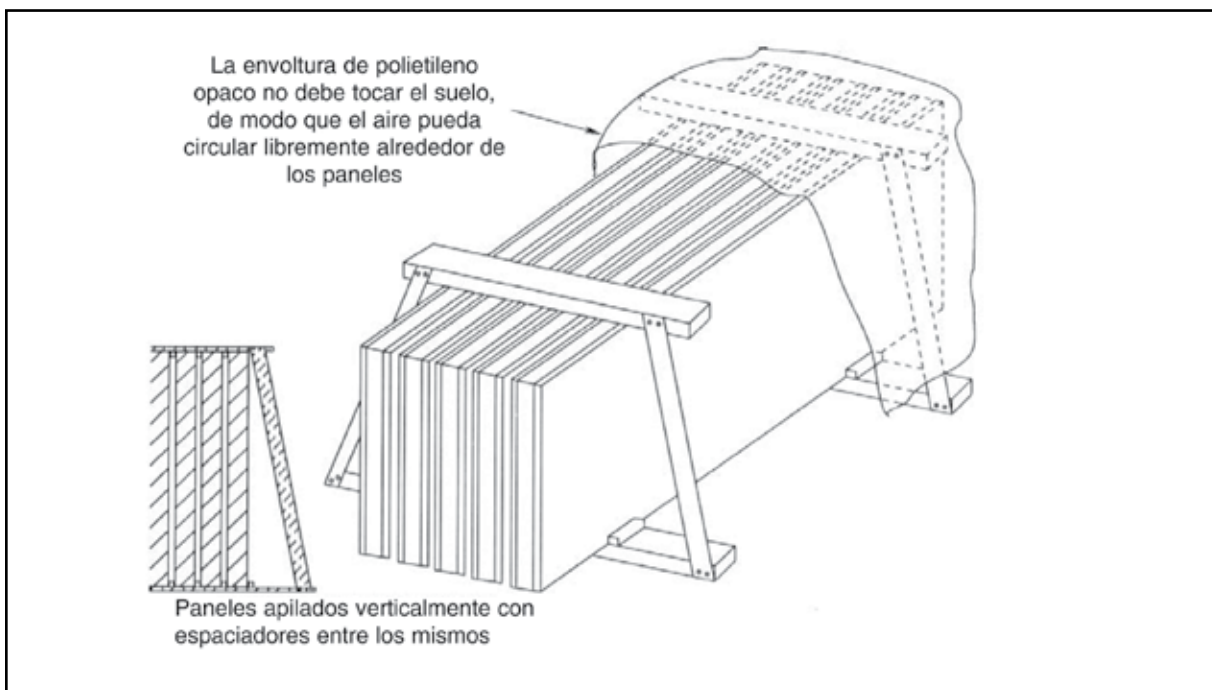




DIAGRAMA DE MONTAJE

El diagrama de montaje, según se provee con cada cámara, es un plan detallado que ilustra la ubicación de todos los paneles de pared, esquina, techo y piso que componen cada cámara completa.

El diagrama de montaje de todas las instalaciones muestra claramente la dirección de los perfiles machos y hembras de cada panel de pared y cada pared de esquina.

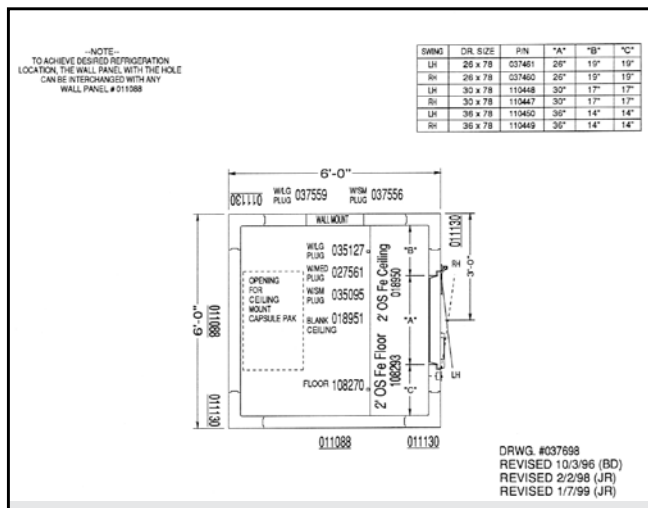


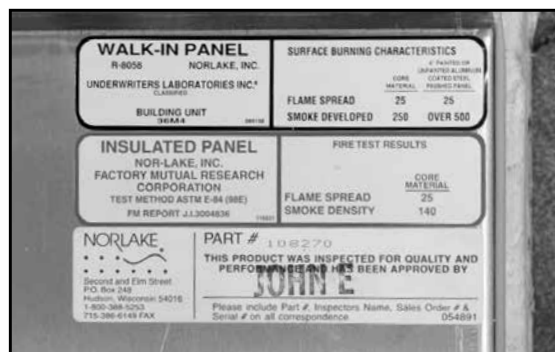
Diagrama de montaje

Todas las secciones que se utilizan para construir su cámara frigorífica están marcadas con un número de pieza específico en cada sección, que se corresponde con su ubicación en el diagrama de montaje.

Si la cámara no tiene piso, se provee un diagrama que muestra la disposición del enrase de vinilo (sellador de piso).

El enrase de vinilo combina la capacidad de sostener los paneles de la pared en su lugar y de proveer la moldura cóncava interior y exterior al empalme de las paredes y del piso del edificio (requisito de la Norma n.º 7 de la Fundación nacional de higiene (NSF).

¡IMPORTANTE! ¡No intente montar una cámara CONGELADORA sin piso sobre un piso ya existente que no haya sido especialmente preparado y adecuadamente aislado para temperaturas de almacenamiento bajo cero!



Etiqueta de inspección de Nor-Lake y número de pieza específico del panel.



CERROJOS DE SECCIÓN

Todos los paneles de pared, esquina, techo y piso se unen y se traban por la acción mecánica de los cerrojos de sección que están enteramente cubiertos de plástico esponjoso dentro de los paneles cerca de los bordes perimetrales. Un cerrojo de sección consta de dos mitades: el alojamiento del cerrojo, que contiene un brazo bloqueador o gancho accionado por una leva, y un alojamiento de cerradura hembra que contiene la clavija de enganche. Ambas mitades del alojamiento están firmemente ancladas en el centro esponjoso del panel. El alojamiento de cierre está siempre ubicado en el borde macho y el alojamiento de cerradura hembra se encuentra en el borde hembra del panel.



Leva de fijación totalmente extendida

CÓMO OPERAR LOS CERROJOS



Llave de cabeza hexagonal provista en el saco con artículos de ferretería



1. Inserte la llave de cabeza hexagonal (que está empacada en el saco de elementos de ferretería) a través del agujero de acceso en el metal del panel interior en la abertura hexagonal del cerrojo de sección. Gire la llave en dirección contraria a las agujas del reloj para aflojar por completo el seguro



2. Empuje las secciones apretándolas juntas y gire la llave $\frac{1}{4}$ de giro en dirección de las agujas del reloj. Esto trabará el brazo de cierre (gancho) sobre la clavija en el alojamiento de la cerradura hembra.



3. Continúe girando la llave hasta un punto final (aproximadamente $\frac{3}{4}$ de un giro completo desde la posición de aflojado del cerrojo) para completar la operación de trabado.



Los cerrojos de algunos paneles deben girarse en dirección contraria a las agujas del reloj para activar la leva de fijación. Estos cerrojos se distinguirán por una etiqueta autoadhesiva con la inscripción "TURN" (GIRAR).



**SELECCIÓN DEL SITIO, PREPARACIÓN DE LA BASE Y NIVELACIÓN DEL PISO
CÁMARA FRIGORÍFICA O CONGELADORA CON PISO**

Una de las consideraciones más importantes en el montaje de una cámara frigorífica o congeladora es el piso del edificio o la superficie sobre la que la cámara frigorífica se apoyará. Como en cualquier estructura, es esencial una base firme y nivelada para lograr un resultado final perfecto. Si la superficie no está perfectamente nivelada y lisa, deben tomarse las medidas adecuadas para proveer la base correcta. La acción positiva de las puertas autocerrantes, las juntas de sellado adecuadas para la puerta y la eliminación de condensaciones depende directamente del nivelado y de la verticalidad en la instalación de todos los paneles.

Si la cámara se instala junto a la(s) pared(es) ya existentes de un edificio, asegúrese de que un **MÍNIMO DE 2" QUEDE ENTRE LA CÁMARA Y LA(S) PARED(ES) DEL EDIFICIO** para admitir las irregularidades de la pared del edificio y para permitir la libre circulación de aire entre las dos superficies.

NOTA: Las cámaras frigoríficas de interior deben estar en lugares con ambiente controlado. La humedad relativa debe mantenerse entre 30% y 60%, con un punto de condensación de 50°F o inferior.

En algunos casos, la superficie sobre la que se instalará la cámara ha sido especialmente preparada para esto y se halla perfectamente nivelada y lisa. En este caso, el piso de la cámara puede instalarse sin otra preparación. Sin embargo, antes de comenzar, debe instalarse una barrera de vapor adecuada sobre la superficie que ocupará la cámara. Los materiales sugeridos son: papel de fieltro asfaltado (50#) o una película de polietileno de 6 milipulgadas. **El contratista debe encargarse de proveer estos materiales.**





INSTALACIÓN DEL PISO (método de nivelación por calce)
Para cámaras sujetas a cargas de livianas a moderadas

Ubique el punto más alto dentro de las líneas de perímetro. Un teodolito, un nivel de topógrafo o un nivel láser son instrumentos ideales para ubicar este punto. Cuando se haya determinado el punto más alto, márquelo directamente sobre el piso y consulte el diagrama de montaje para determinar dónde está ubicado el punto más alto respecto al plano del piso de la cámara.

Uno de los procedimientos más importantes que se encontrará en el montaje de una cámara con piso es el **NIVELADO DE PISO**. ¡Debe estar **PERFECTAMENTE NIVELADO!** Si no lo estuviera, el panel de pared seguirá las irregularidades del piso de la cámara que afectarán directamente a los procedimientos subsiguientes tales como cierre, sellado de juntas de paneles y conjunto de paneles de techo, entre otros.

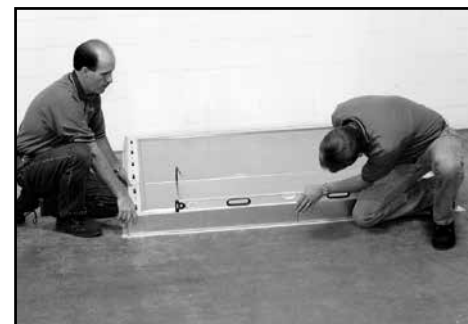
Usando el diagrama de montaje como guía, seleccione el panel de piso que estará ubicado directamente sobre el punto más alto y colóquelo en esta posición observando el esquema trazado sobre el piso del edificio.

Luego de que el primer panel de piso se halle colocado en posición, deberá ser adecuadamente nivelado. Para lograr esto, debe usarse material de calce de distintos espesores. Las tejas de madera de cedro para construcción son ideales para este procedimiento.

¡IMPORTANTE! CADA PANEL DE PISO DEBE ESTAR SOSTENIDO EN SUS CUATRO COSTADOS Y ENTERAMENTE POR DEBAJO, POR LO MENOS CADA 12", YA SEA POR EL PISO DEL EDIFICIO O POR CALCES.

Luego de haber nivelado perfectamente el primer panel de piso, quite el exceso de material de calce de modo que no se proyecte fuera del panel en ninguno de los cuatro costados.

Consultando el diagrama de montaje, determine qué panel de piso se instalará a continuación y donde estará situado en el plano del piso. Prepare el material de calce para el segundo panel en cada punto donde se haya usado este material, debajo del primer panel de piso. El espesor del material de calce debe ser tal que pueda soportar el segundo panel de piso a exactamente a la misma altura que el primer panel en todo el largo de la junta. **NOTA:** En muchos casos, el material de calce tiene el mismo espesor que los calces adyacentes debajo del primer panel.





Coloque el segundo panel en posición junto al primer panel de piso pero **¡NO LO TRABE!**



Calce el segundo panel donde sea necesario, usando el mismo procedimiento empleado en el primer panel. Cuando los cuatro bordes del segundo panel de piso estén adecuadamente calzados, trabe los dos paneles fijándolos entre ellos. Usando la misma técnica para nivelar, compruebe el nivelado de las dos secciones en todas las direcciones colocando el nivel a través de la junta en varios puntos y nuevamente compruebe la nivelación de los paneles de piso en la dirección de la junta de los paneles.



Consulte el diagrama de montaje e instale los paneles de piso restantes usando el mismo procedimiento empleado para el primer y segundo panel de piso. Cuando todos los paneles de piso estén instalados y perfectamente nivelados, compruebe que los cerrojos de sección queden trabados de modo total y completo.



Quite las rebabas en la barrera de vapor.





SELECCIÓN DEL LUGAR, PREPARACIÓN DE LA BASE CÁMARA FRIGORÍFICA SIN PISO INSTALADA SOBRE UN ENRASE DE VINILO DE 1"

¡IMPORTANTE! No intente montar una cámara CONGELADORA sin piso sobre el piso ya existente de un edificio sin que este piso haya sido preparado especialmente y aislado adecuadamente para las bajas temperaturas de congelamiento para almacenar.

Para instalar un enrase de vinilo a nivel sobre un piso ya existente, proceda de la siguiente manera:

Ubique el diagrama de ensamblaje del enrase (sellador de piso) de la cámara, lo hallará en la caja de elementos de ferretería. Usando este diagrama como guía, trace un esquema de las dimensiones externas del enrase directamente sobre el piso del edificio donde se ubicará la cámara. Las dimensiones serán 1 1/2" más grandes que todas las dimensiones de la cámara frigorífica en ambas direcciones.

Si la cámara se instala junto a la(s) pared(es) ya existentes de un edificio, asegúrese de QUE QUEDE UN MÍNIMO DE 2" ENTRE EL ESQUEMA TRAZADO Y LA(S) PARED(ES) DEL EDIFICIO para admitir las irregularidades de la pared del edificio y para permitir la libre circulación de aire entre las dos superficies. **CONTROLE CUIDADOSAMENTE LA CUADRATURA** verificando que las dos dimensiones entre las esquinas opuestas sean iguales (Fig. 1).

Uno de los procedimientos más importantes que se realizarán en la preparación de la base es **NIVELAR EL ENRASE**. ¡Debe estar **PERFECTAMENTE NIVELADO!** Si no lo está, los paneles de pared seguirán las irregularidades del piso del edificio, lo cual afectará directamente a los procedimientos subsecuentes tales como el cierre del panel, el sello de las juntas, el montaje del panel de techo y otros.

Luego de que el esquema del ensamble del enrase esté completado, localice el punto más alto dentro del esquema del piso donde el enrase será instalado. Las secciones de enrase tienen un ancho de 5 1/2". Un teodolito o nivel de topógrafo es el instrumento ideal para este propósito. Marque el punto más alto directamente sobre el piso (Figura 2) y consulte el diagrama del enrase para determinar e identificar la sección de enrase correcta y colocarla directamente sobre el punto más alto.

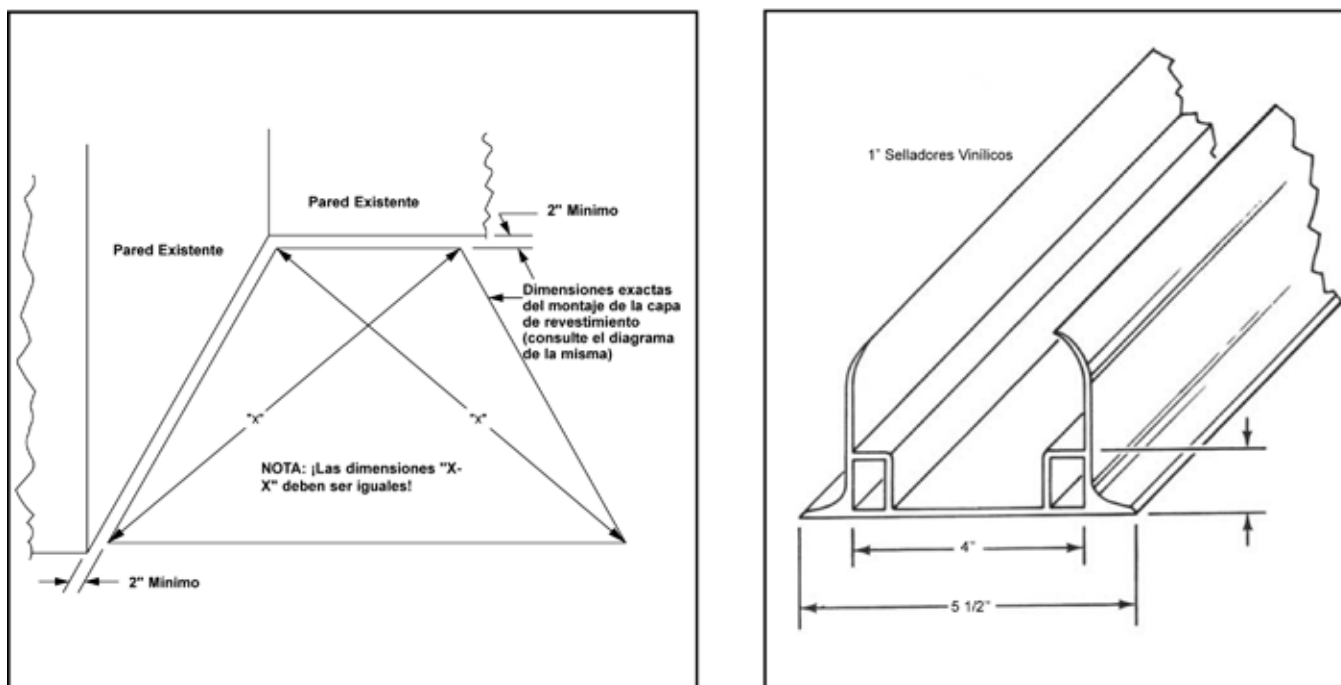
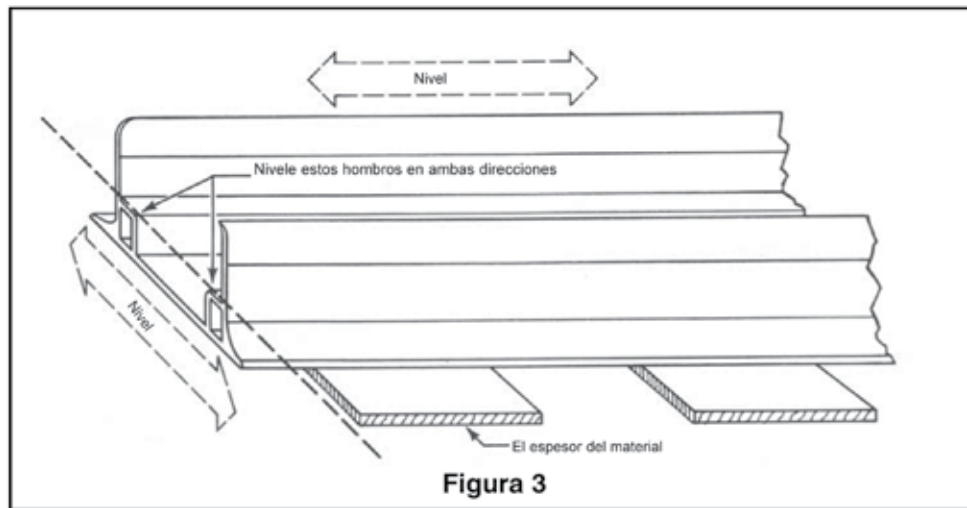
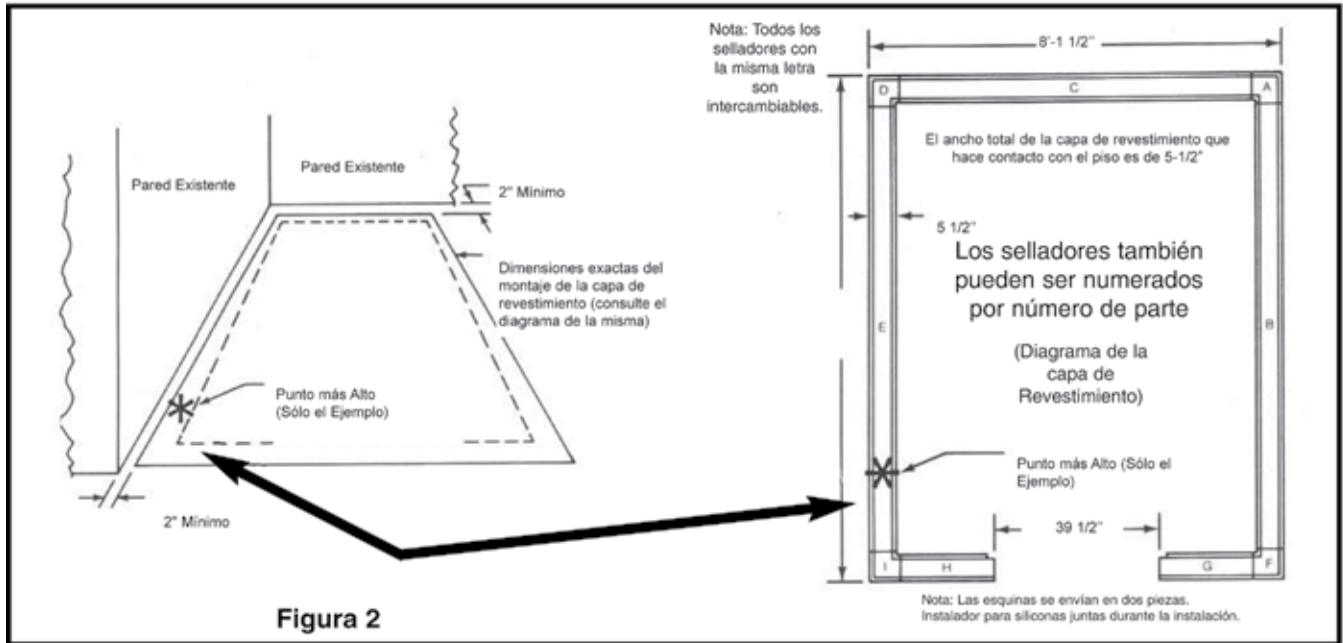


Figura 1



Luego de que la primera sección del enrase esté en posición, debe estar **PERFECTAMENTE NIVELADA**, no sólo a lo largo sino también a lo ancho. Para conseguir esto, probablemente se requiera material de calce. Un piso de baldosas de vinilo es ideal para este propósito. **¡IMPORTANTE!** CADA SECCIÓN DEL ENRASE DEBE ESTAR SOPORTADA AL MENOS CADA 12" YA SEA POR EL PISO DEL EDIFICIO O POR CALCES (Figura 3).

Suponiendo que la primera sección del enrase ha sido perfectamente nivelada, consulte al diagrama del enrase y elija una sección contigua a ésta y nivélela perfectamente en ambas direcciones, calzándola donde sea necesario. Continúe nivelando el resto del enrase hasta que todo el ensamble esté en su posición. Compruebe el ensamble para asegurarse de que los bordes exteriores estén colocados exactamente en la línea del esquema trazado sobre el piso del edificio.



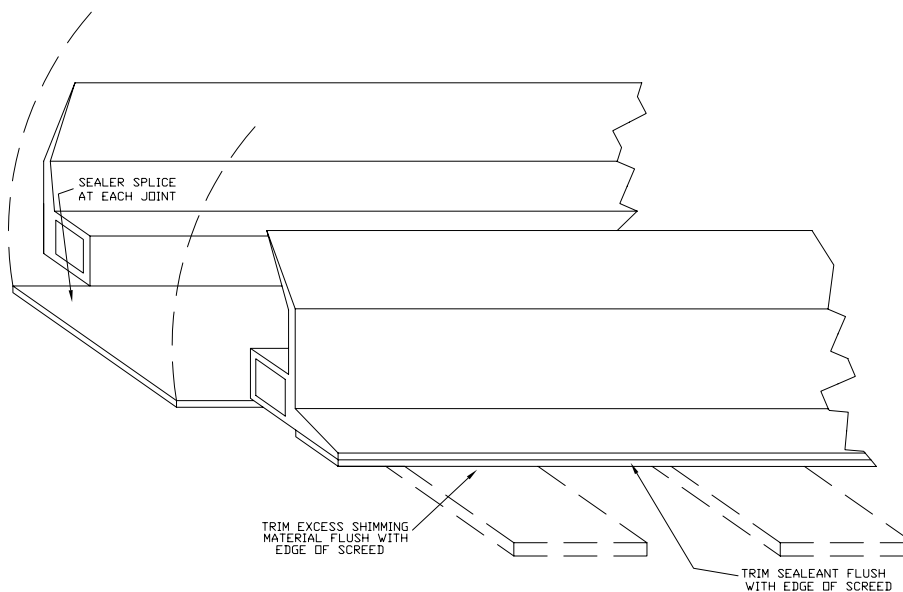
Cuando se nivela por completo el ensamble del enrase y se lo soporta con calces, según corresponda, **CON CUIDADO Y SIN DESESTABILIZAR EL MATERIAL DE CALCE**, levante las secciones del enrase, voltéelas de abajo hacia arriba y aplique un reborde espeso de obturador de construcción en el fondo de la sección del enrase a lo largo de los dos bordes que están en contacto con la superficie del piso del edificio. El diámetro del reborde sellador debe ser mayor que el material de calce más grueso para asegurar un sellado total y hermético a lo largo de todo el enrase (Figura 4). El obturador aprobado por la NSF está provisto y se lo encontrará en la caja de ferretería.

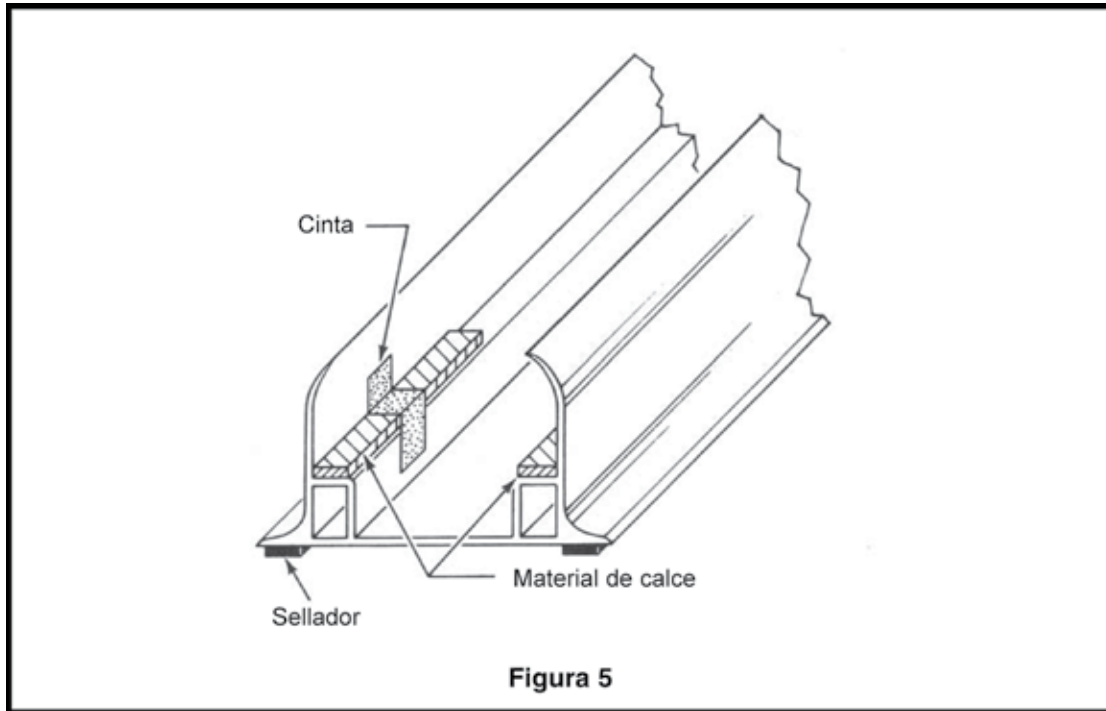
Inmediatamente después de aplicar el sellador de construcción a una sección del enrase, vuelva a colocar la sección del enrase en su sitio original sobre el piso del edificio **SIN DESESTABILIZAR EL MATERIAL DE CALCE** y coloque un cubrejuntas en cada junta del ensamble del enrase (Figura 4). Dado que el cubrejuntas está pensado para mantener alineadas las secciones del enrase, aproximadamente la mitad del sellador debe superponerse sobre cada sección. No necesita ser fijado en el lugar (Figura 4). **NOTA: Selle todas las juntas del enrase con obturador.** Haga una inspección final para comprobar la cuadratura, el nivel y si el ensamble del enrase está correctamente colocado con respecto al esquema trazado en el piso del edificio.

Continúe asegurando el ensamble del enrase al piso del edificio con sujetadores adecuados para el piso del edificio. Estos sujetadores no están provistos y deben ser adquiridos aparte.

Los sujetadores deben aplicarse debajo de la línea central del interior del enrase a intervalos de aproximadamente 36", pero donde se usan los calces, aplique los sujetadores a través del material de calce, **NO ENTRE** los calces. Cuando el ensamble total esté asegurado en su posición, quite el exceso de obturador de construcción y de calce en ambos bordes del enrase. Alise a ras el reborde del sellador del enrase y retoque todas las áreas donde el sellador de construcción no hace un sellado perfecto (Figura 4).

NOTA: En caso de que el piso del edificio estuviera especialmente preparado para la instalación y no se detecten puntos más bajos o más altos, es posible que los calces no sean necesarios. En ese caso, será necesario aplicar obturador de construcción a la parte inferior del enrase y asegurarla directamente al piso del edificio. El procedimiento completo, como se describe, debe ser seguido al pie de la letra, excepto por los detalles que tienen que ver con los calces.





ALTERNE EL MÉTODO DE CALZADO PARA EL ENRASE DE VINILO DE 1”

Si la superficie que ocupará el enrase de vinilo está a nivel, excepto por algún punto bajo esporádico, el enrase puede ser asegurado directamente al piso del edificio y se pueden compensar los puntos bajos calzando los hombros de soporte en el interior del enrase.

Cuando se emplea este método, los puntos bajos deben ser marcados en el piso del edificio cerca del esquema trazado para referencia. Después de que el enrase ha sido sellado y asegurado, el nivelado puede proceder poniendo especial atención en las áreas marcadas como puntos bajos.

Las baldosas para piso de vinilo se eligen a menudo como material de calce y se cortan franjas (de un máximo de 5/8” de ancho) y se las coloca sobre los hombros de soporte del enrase para obtener una superficie nivelada para que se apoyen las secciones de pared. Se deben aplicar franjas de cinta para sostener el material de calce en su lugar (Figura 5).

¡IMPORTANTE! Calzar los hombros de soporte en el interior del enrase es conveniente para las irregularidades menores del piso del edificio y tiene la ventaja de un contacto total entre el enrase y el piso sobre el perímetro completo del ensamble. SIN EMBARGO, NO ES RECOMENDABLE PARA PISOS DE EDIFICIOS EXTREMADAMENTE IRREGULARES. Un material de calce excesivamente espeso sobre los hombros de soporte puede elevar los paneles de las paredes hasta un punto donde la efectividad de los rebordes selladores del enrase más altos estaría comprometida. ¡Debe evitarse un espesor del calce de más de 3/4”! Si se elige calzar los hombros de soporte del enrase, el procedimiento completo, como se describió, debe seguirse al pie de la letra para asegurar la cuadratura y el nivelado del ensamble del enrase completo.



**SELECCIÓN DEL LUGAR, PREPARACIÓN DE LA BASE
CÁMARA FRIGORÍFICA O CONGELADORA SIN PISO INSTALADA SOBRE SELLADORES DE PLÁSTICO
ESPONJOSO**

¡IMPORTANTE! No trate de montar una cámara CONGELADORA sin piso sobre un piso ya existente que no haya sido especialmente preparado y aislado adecuadamente para las temperaturas de almacenamiento que están por debajo del punto de congelación. Para instalar un ensamble (de enrase) de sellador de plástico esponjoso sobre un piso ya existente, o sobre un piso adecuadamente preparado para congeladoras, proceda de la siguiente manera:

Ubique el diagrama del sellador de piso (enrase), lo hallará en la caja de elementos de ferretería; usando este diagrama como guía, trace un esquema de las dimensiones externas de la cámara directamente sobre el piso del edificio en el lugar en el que se ubicará la cámara. Esas líneas tendrán exactamente las mismas dimensiones que las de la cámara frigorífica en ambas direcciones. Si la cámara se instala junto a la(s) pared(es) ya existentes de un edificio, asegúrese de que **QUEDE UN MÍNIMO DE 2" ENTRE EL DIAGRAMA DE LA CÁMARA Y LA(S) PARED(ES) DEL EDIFICIO**. Este espacio permitirá las irregularidades de la(s) pared(es) del edificio y dejará la libre circulación de aire entre ambas superficies. **COMPRUEBE CUIDADOSAMENTE LA CUADRATURA** insistiendo en que las dimensiones entre las esquinas opuestas sean iguales (Fig.1).

Dado que el sellador de plástico esponjoso (enrase) está mantenido en posición por guías de madera contrachapada de 3/8" de espesor, las que se asegurarán al piso del edificio, es de gran importancia que también las guías para el sellador se hallen ubicadas con precisión en el piso del edificio. Consulte el diagrama de guías para el sellador de piso que está en la caja de ferretería. En este diagrama, notará que la guía de sellador se halla situada a 7/8" por DENTRO del esquema trazado que representa las dimensiones externas del conjunto sellador. Más aún, la Fig.1 también ilustra que la guía para el sellador es de 2-1/4" de ancho, centrado bajo el panel de pared de 4", dejando un borde de 7/8" a lo largo de cada borde. Trace directamente sobre el piso del edificio otro esquema de las dimensiones externas de la guía del sellador. Debe haber exactamente 7/8" entre el nuevo esquema de la guía para el sellador, y el esquema previamente trazado del sellador (enrase) (Fig.2).

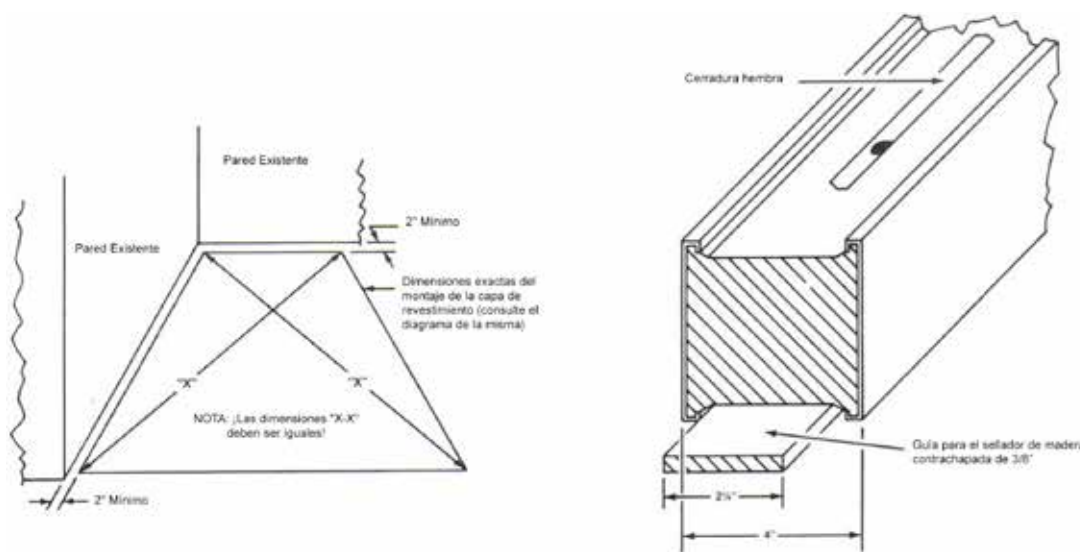


Figura 1

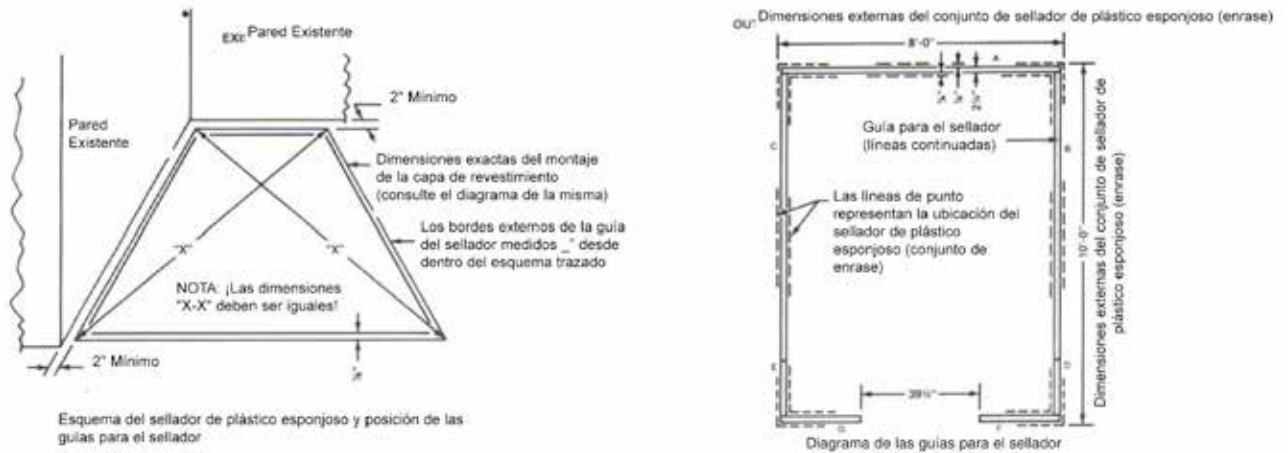


Figura 2

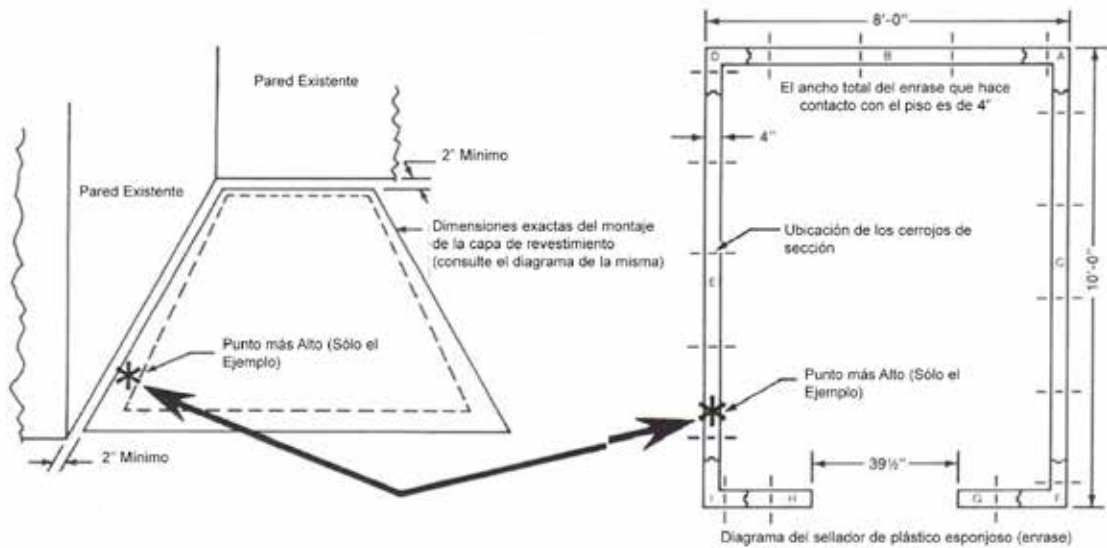


Figura 3

Uno de los procedimientos más importantes que se realizarán en la preparación de la base es NIVELAR EL SELLADOR (ENRASE). ¡Debe estar PERFECTAMENTE NIVELADO! Si no lo está, los paneles de pared seguirán las irregularidades del piso de la cámara que afectarán directamente a los procedimientos subsiguientes tales como cierre, sellado de juntas de paneles, y conjunto de paneles de techo entre otros.

Luego que el esquema de la capa selladora (enrase) esté completado, como se muestra en la Figura 2, localice el punto más alto dentro del esquema del piso donde la capa selladora (enrase) será instalada. (Las secciones de sellador tienen 4" de ancho). Un teodolito o nivel de topógrafo es un instrumento ideal para ubicar este punto. Marque el punto más alto directamente sobre el piso como se ilustra en la Figura 3.

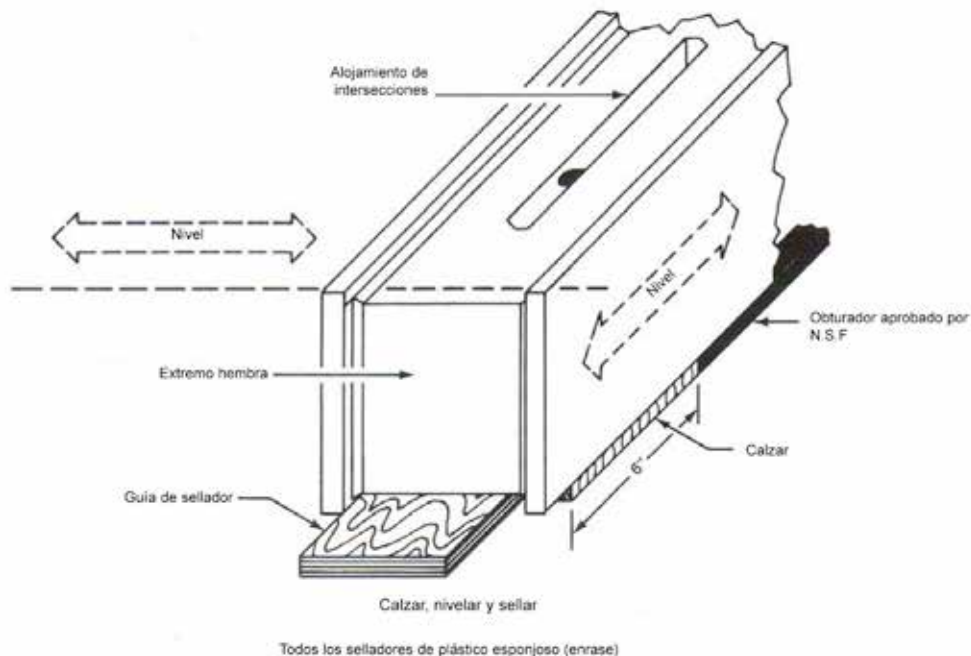


Figura 4

INSTALACIÓN DE LAS GUÍAS PARA EL SELLADOR

Ubique las GUÍAS PARA EL SELLADOR. Estas juntas están en haces y empacadas con los ángulos de la cámara frigorífica o con los paneles de paredes y se hallan adecuadamente etiquetadas. Las guías para sellador son franjas de 2 1/4" de ancho hechas de madera contrachapada de 3/8" de espesor, como se muestra en la Figura 1.

Consulte el DIAGRAMA DE GUÍAS PARA EL SELLADOR. Seleccione las guías correctas para el sellador y colóquelas como se muestra con las letras dentro de un círculo en el diagrama. Cada largo de guía para sellador está marcado con una letra dentro de un círculo que se corresponde con la letra dentro de un círculo en el diagrama de guías para el sellador.

Cada guía para sellador, cuando está correctamente puesta en posición, deberá tener su borde exterior precisamente sobre el ESQUEMA INTERIOR dibujado sobre el piso del edificio, Figura 2, y su borde exterior estará exactamente a 7/8" del contorno que representa el borde exterior del sellador plástico esponjoso. ¡La calidad de trabajo empleado para ubicar y asegurar las guías para el sellador se transmitirá directamente a la ubicación de los selladores de plástico esponjoso (enrase) y posteriormente, al montaje en conjunto de la

totalidad de la cámara frigorífica! Consulte la Figura 1 y la Figura 2.

Cuando todas las guías para sellador estén en su lugar, haga una VERIFICACIÓN DE CUADRATURA final y asegúrelas al piso del edificio con sujetadores apropiados para la superficie. **NOTA:** Si la guía para el sellador está puesta en posición sobre un interruptor térmico de poliuretano o de poliestireno, debe usar un adhesivo de construcción compatible.

INSTALACIÓN DEL SELLADOR PLÁSTICO ESPONJOSO (enrase)

Consulte el DIAGRAMA DEL SELLADOR PLÁSTICO ESPONJOSO. Identifique y ubique la sección de sellador que será puesta en posición directamente sobre el punto más alto que fuera previamente determinado y marcado sobre el piso del edificio (Figura 3).

NOTA: Todas las guías para el sellador de plástico esponjoso son machos en un extremo y hembras en el extremo opuesto. La configuración de los extremos está claramente indicada en el diagrama. Además, asegúrese de que los segmentos de alojamientos de cerradura hembra de los cierres de sección queden visibles desde el borde superior del sellador cuando estos se hallen en posición. (Ver Figura 1 y Figura 2).

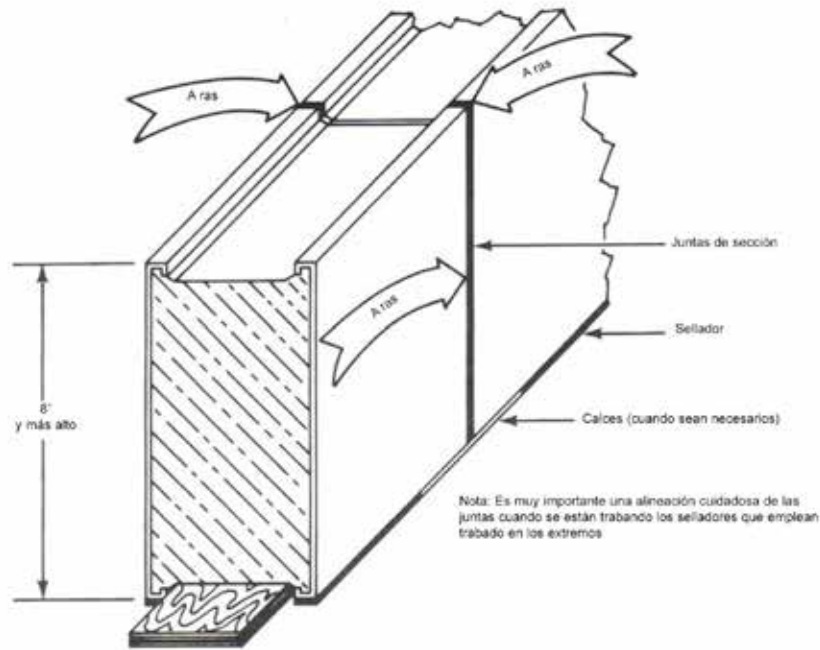


Figura 5

Después de colocar la primera sección de sellador (enrase) sobre la guía para sellador y sobre el punto más alto, se la debe **NIVELAR EN FORMA PERFECTA** no sólo en relación con el alto, sino también en relación con el ancho. Para hacerlo, probablemente se necesitará material de calce. Las baldosas de vinilo para pisos cortadas en franjas de 7/8" de ancho por 6" de largo constituyen franjas ideales de calce que pueden ser colocadas debajo del sellador, donde sea necesario para lograr regularidad de superficie.

IMPORTANTE: CADA SECCIÓN DE SELLADOR (ENRASE) DEBE SER SOPORTADA AL MENOS CADA 24" YA SEA POR EL PISO DEL EDIFICIO O POR LOS CALCES. Siempre que sea posible evite usar franjas de calce (ver figura 4).

Suponiendo que la primera sección de sellador (enrase) haya sido perfectamente nivelada, consulte el diagrama del sellador y elija una sección adyacente de sellador y nivélela perfectamente en ambas direcciones, calzándola cuando sea necesario. **NOTA:** Las secciones de sellador (enrase) de 8" de alto o más emplean cerrojos de sección para el trabado de extremo a extremo. **CUIDADOSAMENTE** ponga a ras los extremos superiores y las superficies internas y externas de las secciones de sellador adyacentes cuando las esté trabando juntas (Fig. 5). Continúe nivelando el resto de las secciones de sellador hasta que el conjunto entero se halle en posición.

Cuando el conjunto entero de sellador esté nivelado, aplique un obturador aprobado por NSF para lograr un sello de vapor entre la parte inferior del sellador y el piso del edificio. Este obturador está provisto y lo hallará en la caja de ferretería. El obturador debe ser aplicado en las superficies interiores y exteriores del conjunto sellador (enrase). Asegúrese de que el obturador produzca un sellado hermético sin huecos y ponga especial cuidado para sellar el material de calce adecuadamente.

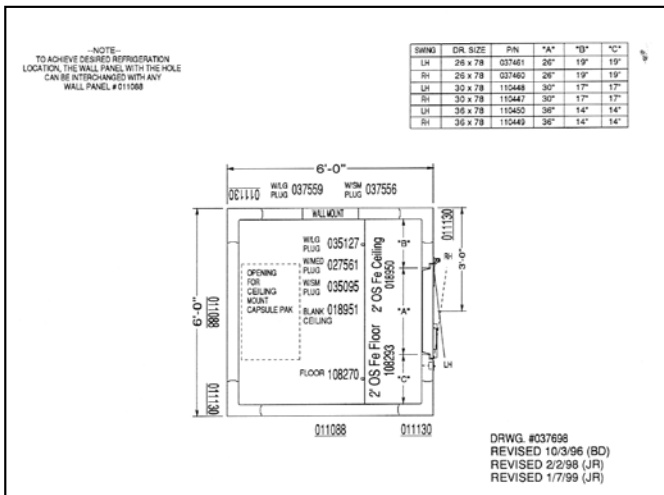
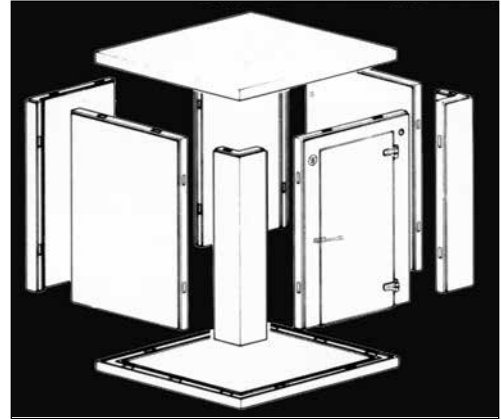
Después que el obturador haya fraguado, quite todo exceso de material a ras con los bordes del conjunto sellador (enrase) y retoque cualquier zona donde el sellador no hace un sellado perfecto (Figura 5).



INSTALACIÓN DE LA CÁMARA FRIGORÍFICA Montaje de los paneles de pared y techo

Las instrucciones de instalación que siguen se aplican a cámaras frigoríficas o congeladoras cuyas paredes están soportadas ya sea por paredes con plástico esponjoso o por un conjunto sellador de piso (enrase) que hayan sido exactamente ubicadas y adecuadamente niveladas. **NOTA:** El procedimiento para montar tanto los paneles de pared como los de techo será idéntico en todos los casos. **NOTA:** Las paredes no se traban a los selladores de vinilo pero sí a selladores de plástico esponjoso cuando se usen.

Para ayudar al proceso de montaje, el plano de los pisos provisto con su cámara tiene las piezas numeradas en una lista para cada sección de pared, esquina, techo y piso. Haga coincidir el número de partes del plano con la etiqueta del interior de cada panel para determinar la ubicación de éstos.



Seleccione el primer panel para instalar, normalmente comienza con un PANEL DE ESQUINA. Observe que el panel está etiquetado "Top", junto con un número de pieza que indica que cuando el panel está en su posición correcta, el extremo etiquetado quedará hacia arriba.

Tenga en cuenta también que las secciones con agujeros de acceso a las cerraduras sobre el borde vertical de los paneles siempre se hallan sobre el interior del panel.

Coloque los paneles de esquina en el lugar correcto de la cámara frigorífica o del ensamble del enrase de vinilo y, SI LA CÁMARA TIENE PISO, ponga a ras el panel de esquina con la esquina del panel de piso en ambas direcciones y trábelos firmemente al panel de piso.





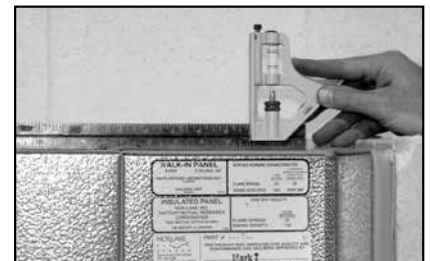
Si el primer panel de esquina está apoyado sobre un sellador (enrase) de vinilo de 1", busque ayuda para sostener el panel de esquina en posición vertical hasta que se instalen los paneles de pared subsiguientes. Los paneles de pared y de esquina no se traban al sellador de vinilo (enrase).

Seleccione el siguiente panel como se indica en el plano del piso y colóquelo sobre el piso o sellador (enrase) bien cerca del primer panel instalado, de modo tal que sea posible trabar los cerrojos de la sección.



Asegúrese de que los dos paneles estén perfectamente alineados respecto al BORDE SUPERIOR y que la JUNTA VERTICAL de los dos paneles esté perfectamente a ras, gire los cerrojos de sección sobre el borde vertical del panel hasta que queden totalmente trabados.

¡IMPORTANTE! Insista en que los bordes superiores de los paneles adyacentes queden perfectamente alineados.



Correcto

Si se halla una desalineación, simplemente levante el borde más bajo del panel mientras traba para lograr la alineación, y cuando todos los cerrojos estén trabados, permita que los paneles trabados vuelvan a su posición normal sobre el piso de la cámara o el sellador (enrase).

¡NO BUSQUE ATAJOS! TOME EL TIEMPO SUFICIENTE PARA ALINEAR CORRECTAMENTE TODAS LAS SECCIONES.



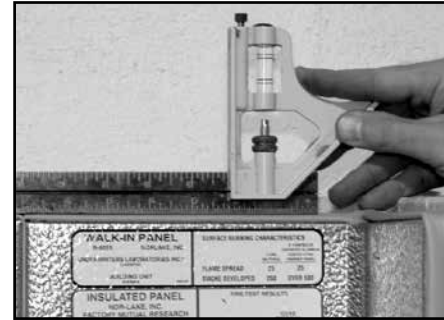
Desalineación



A medida que cada panel de pared o de esquina va siendo montado y trabado a un panel adyacente a lo largo de la junta vertical, trabe los cerrojos de sección a los paneles de piso, girando la llave hexagonal SÓLO APROXIMADAMENTE ¼ DE GIRO EN DIRECCIÓN DE LAS AGUJAS DEL RELOJ.



Asegúrese de que el panel de pared o de esquina esté perfectamente alineado con el panel de piso o sellador de plástico esponjoso antes de trabar los cerrojos de sección.



Continúe montando los paneles conforme a los números de piezas que se muestran en el plano de piso y siga explícitamente la técnica descrita para la alineación de los paneles.



Se montarán los PANELES DE TECHO a intervalos específicos para facilitar la instalación. El montaje intermitente de los paneles de techo está diseñado para permitir que éstos sirvan como tirantes de sostén entre las paredes opuestas a medida que avanza la instalación. **¡PRECAUCIÓN!** ¡NO DESLICE LOS PANELES DE TECHO HASTA SU POSICIÓN! Para evitar daño a las juntas, eleve la sección de techo limpiamente por sobre la sección de pared cuando la coloque en posición.



Cuando estén en posición los paneles adyacentes, ajuste los extremos exteriores de modo que queden perfectamente a ras unos con otros, y con los paneles de pared que están directamente debajo de ellos. Trabe firmemente unos con otros los paneles de techo. Por ahora NO TRABE los paneles de techos a los de pared.





PUERTA/SECCIÓN PUERTA

Una puerta/sección puerta estándar consiste básicamente de un panel de pared simple que contiene una puerta de entrada y varios accesorios. Los componentes eléctricos contenidos en este panel fueron precableados en fábrica. Esto incluye el calentador anticondensación de la apertura de puerta, la luz piloto, el interruptor y una luz interior a prueba de vapor.



La puerta fue instalada en fábrica sobre el marco fijo del panel de la puerta, y su cuadratura y su correcta operación se verificaron en condiciones controladas.

¡PRECAUCIÓN! Cuando instale la puerta /sección puerta, debe tener extremo cuidado de no torcer el panel o manipular el conjunto de tal modo que pierda la cuadratura al ser instalado. La característica autocerrante, la operación de cerrado de la puerta y una junta selladora perfecta: todo esto depende en gran medida de la CUADRATURA y la VERTICALIDAD de la puerta /sección puerta.



Una vez que todos los paneles de pared y puerta estén montados y trabados firmemente entre ellos, los paneles de techo estén colocados sobre los paneles de pared y los paneles de pared estén trabados firmemente entre ellos, vuelva a verificar la posición de los paneles de techo con respecto a los paneles de pared.



Ahora trabe firmemente todos los paneles de techo a los paneles de pared.

Vuelva a comprobar la posición de los paneles de pared respecto a los paneles de piso y trábelos juntos firmemente.



Cámara frigorífica con piso armada



Cámara con piso armada; se muestra con sellador de vinilo para piso



NOTA: Si por alguna razón, las condiciones en el sitio no permiten la instalación de las paredes y techo en el orden recomendado, instale los paneles de pared y de techo en una secuencia lógica que permita la accesibilidad para la instalación del último panel. Recuerde programar la instalación de los paneles de techo en los intervalos correctos para que sirvan como tirantes de sostén entre los paneles de pared ya instalados.



Coloque los botones taponadores que están empacados en el saco de ferretería y, después de haber comprobado que la llave hexagonal llegó a un punto final en cada cerrojo de sección, inserte un botón de enchufe en cada agujero de acceso al cerrojo.

RIOSTRAS DE SOSTÉN

En la mayoría de las cámaras sin piso, la puerta/sección puerta, será equipada con riostras de sostén, una en cada miembro del interior del marco vertical. Estas riostras requerirán anclaje al piso del edificio.



Su propósito es colocar positivamente las extremidades más bajas de los marcos de puerta y prevenir cualquier movimiento que pueda ocurrir en el punto donde el marco de la puerta descansa sobre el sellador de piso (enrase). Cuando se provean selladores vinílicos de piso de 1", se les hará una muesca para acomodar la ubicación de la riostra de sostén.

Los agujeros ranurados en la pata vertical de la riostra de sostén permiten el ajuste en cualquier dirección para facilitar que la riostra de sostén tome adecuado contacto con el piso del edificio. Los sujetadores adecuados para asegurar las riostras de sostén al piso de concreto de un edificio están empacados en un saco y sujetos a una de las riostras de sostén. Para otros tipos de pisos de edificios, los mecanismos de sujeción adecuados deben ser provistos por otros distribuidores.

¡IMPORTANTE! Asegúrese de que la puerta/sección puerta se halle **PERFECTAMENTE A PLOMO** antes de sujetar las riostras al piso del edificio. Los agujeros en la riostra de sostén para adherir al piso del edificio se han redondeado a propósito, para que no ocurra ningún corrimiento después de haberse asegurado. Asegúrese de que las riostras de sostén hayan sido fijadas al piso del edificio.



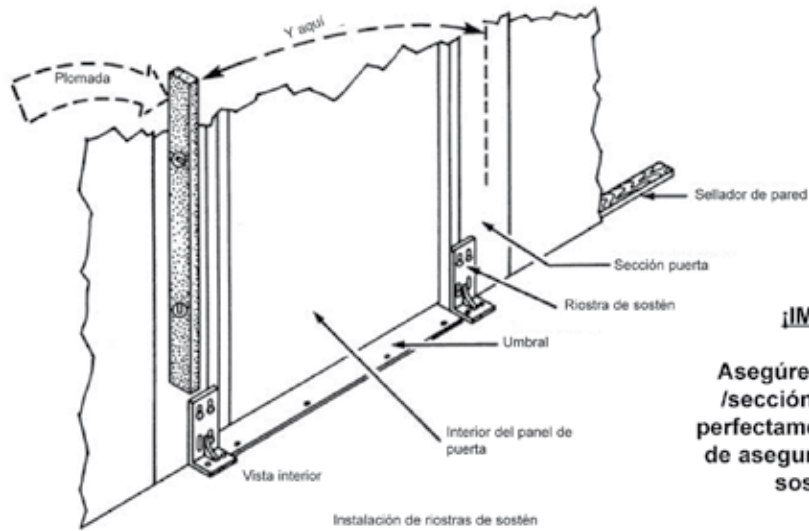
El tamaño de agujero recomendado para el sistema PARABOLT ANCHOR es 3/8" X 2-1/4"



Instale el anclaje



Sujete la riostra de sostén con el sujetador provisto



¡IMPORTANTE!

Asegúrese que la puerta /sección puerta se halle perfectamente vertical antes de asegurar las riostras de sostén al piso

Fig. 11

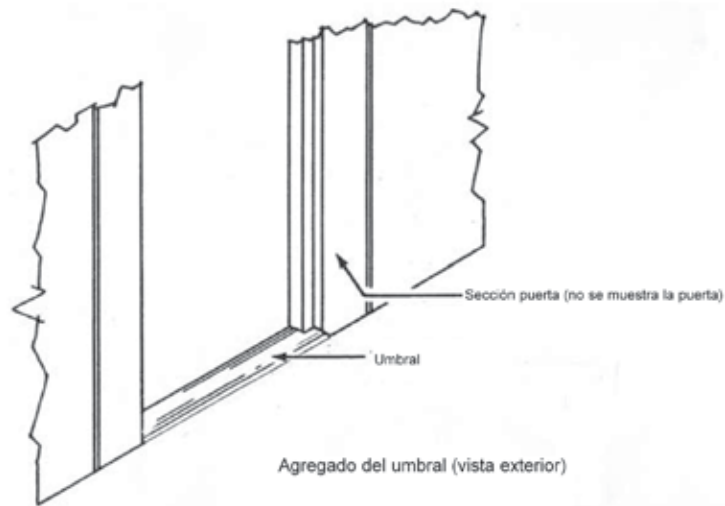


Fig. 12

SUJECIÓN DEL UMBRAL

El umbral fue sujetado en fábrica a la porción inferior de la sección puerta y está ubicado de tal modo que no necesita ajustes. Sin embargo, debe sujetarse al piso del edificio para completar la instalación.

¡IMPORTANTE! Asegúrese de que las riostras de sostén hayan sido aseguradas firmemente a la sección puerta y al piso del edificio antes de sujetar el umbral al piso del edificio. Ambos bordes del umbral deben sujetarse con los sujetadores adecuados para el piso del edificio, y dado que la superficie de los pisos varían tanto en su composición, no se proveen sujetadores, que deben ser provistos por otro proveedor (Fig. 12).

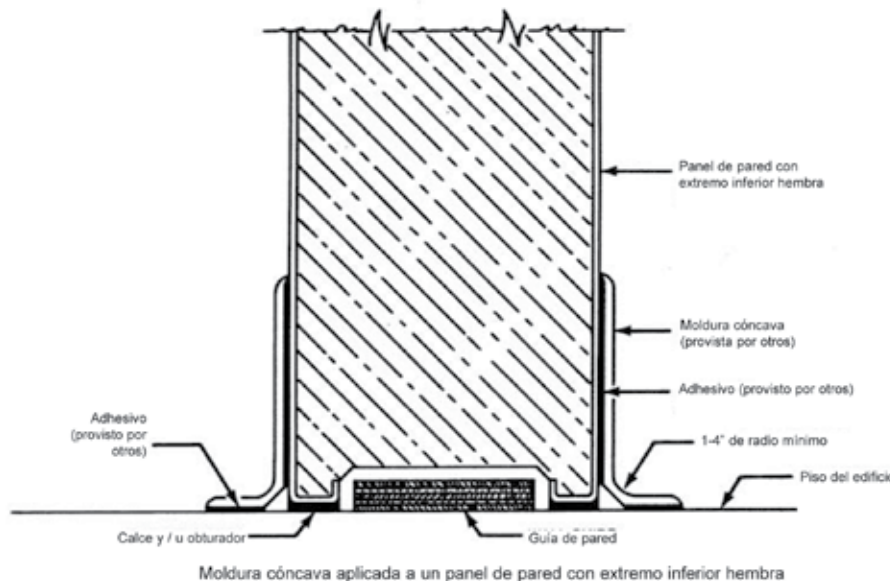


Fig. 13

SELLAR LAS UNIONES DE LAS PAREDES AL PISO DEL EDIFICIO

Aplice una abundante cantidad de obturador aprobado por el NSF para obtener un sellado contra vapor entre el borde inferior de todos los paneles de pared, de esquina, de puerta y de partición y el piso del edificio. El obturador debe ser aplicado tanto a los bordes interiores como a los exteriores de todas las paredes del perímetro y a ambos bordes de las paredes de partición donde éstas se encuentran con el piso del edificio. Constate que el obturador produzca un sellado continuo y hermético sin intersticios y tómesese un cuidado especial para sellar alrededor del material de calce.

Después que el obturador haya fraguado, quite todo el exceso de obturador dejándolo a ras con los bordes de las paredes. Retoque cualquiera de las áreas donde el obturador no haga un sellado perfecto (Fig. 8).

MOLDURA CÓNCAVA

Para cumplir con los requisitos de la Norma N.º 7 de la Fundación Nacional de Higiene (National Sanitation Foundation), una moldura cóncava con un radio mínimo de ¼” debe ser aplicada para cubrir el empalme de las paredes de la cámara y el piso del edificio. Para los modelos con piso se requiere la moldura cóncava solamente para las paredes exteriores.

La moldura cóncava y el adhesivo para su aplicación no se proveen habitualmente. Éstos están disponibles en la mayoría de los proveedores de elementos de construcción.

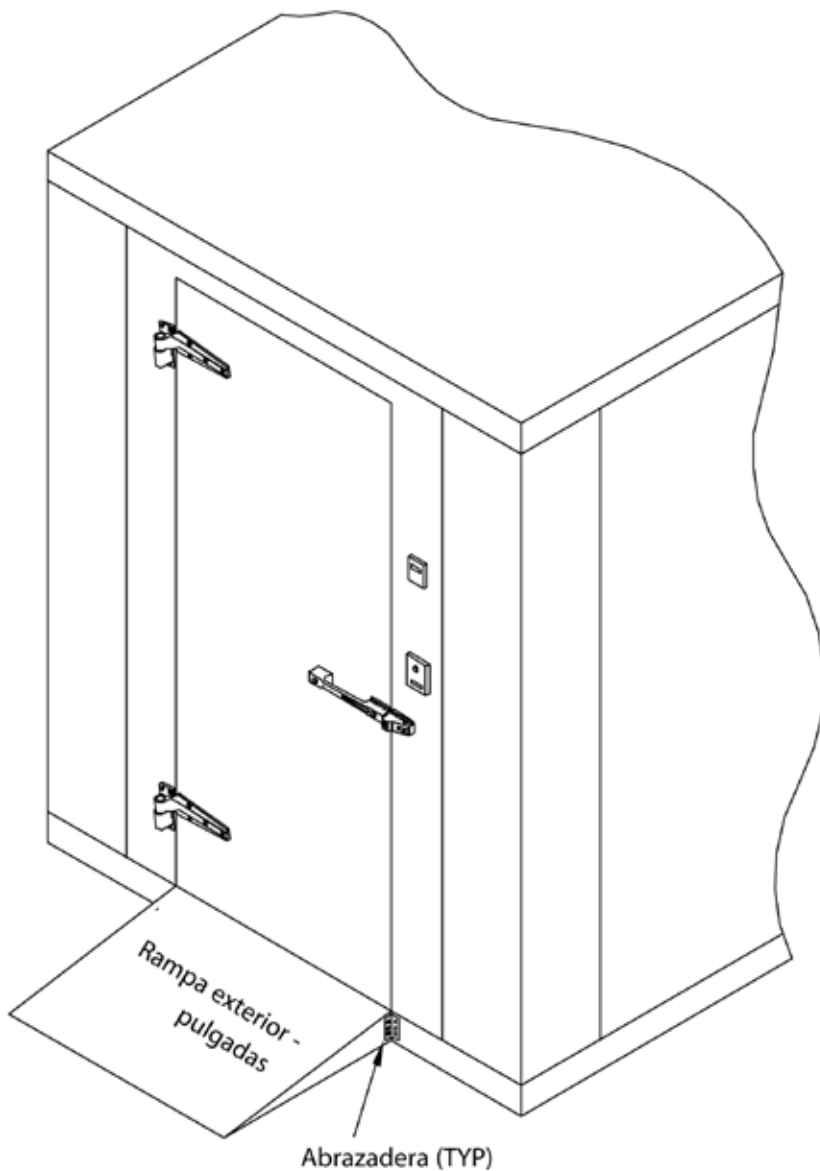
Antes de aplicar la moldura cóncava, haga una inspección final del área que será cubierta por ésta para asegurarse de que el obturador se halle intacto y haga un perfecto sello para el vapor. Si no fuera así, agregue obturador en la medida que sea necesario. Lea y siga las instrucciones preparadas por el fabricante de la moldura cóncava y del adhesivo, antes de iniciar la instalación (Fig.13).

Si usa mortero y baldosas como material de piso y si proyecta que la base de las baldosas configure la concavidad requerida, asegúrese de que el radio interior de las baldosas de base sea de por lo menos ¼”.



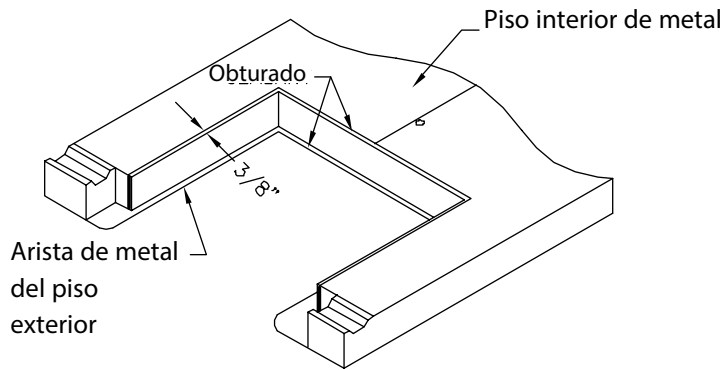
INSTRUCCIONES PARA LA INSTALACIÓN DE LA RAMPA EXTERIOR

Rampa central frente a la apertura de la puerta. Luego, con el ángulo de 1-1/2" x 1-1/2" x 3-1/2" y los tornillos provistos, fije la rampa a la cámara, como muestra la siguiente ilustración.



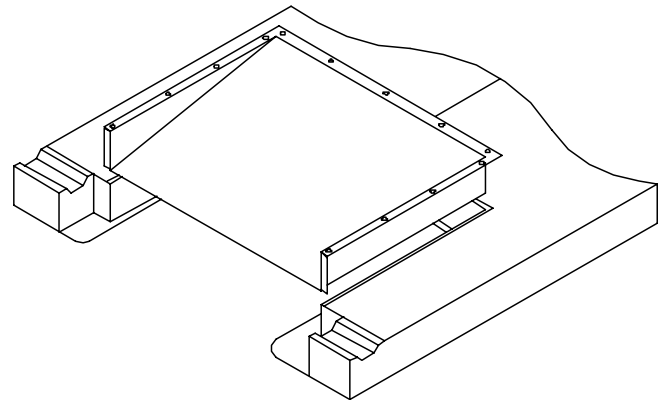


INSTRUCCIONES PARA LA INSTALACIÓN DE LA RAMPA EXTERIOR



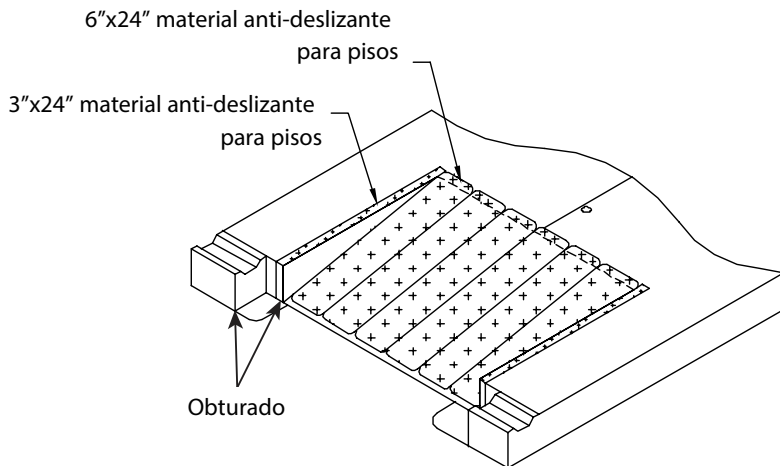
Paso 1

Después que la secciones de piso estén en su lugar y totalmente trabadas entre ellas, aplique un reborde de aproximadamente 1/8" de obturador al metal interior, 3/8" desde el corte de la rampa. También aplique un reborde de aproximadamente 1/8" de obturador al centro del borde exterior de metal.



Paso 2

Coloque la rampa en posición, alineando los agujeros previamente taladrados en la rampa con los agujeros previamente taladrados en el piso interior, y luego asegure la rampa al piso con los tornillos #8 x 1/2" provistos.



Paso 3

Instale material antideslizante para piso de 6" x 24" para cubrir la base de la rampa y el borde posterior de ésta hasta el piso y 3" x 24" antideslizante aplicado para cubrir el borde lateral de la base de la rampa al piso.

Aplique obturador donde la sección puerta se junta con el interior y el exterior del panel de piso y la rampa. También aplique obturador bajo el umbral de la puerta.



INSTALACIÓN DE LA CÁMARA FRIGORÍFICA
Conexiones eléctricas

CÁMARA FRIGORÍFICA O CONGELADORA CON UNA SOLA LUZ INTERIOR MONTADA EN LA SECCIÓN PUERTA

PRECAUCIÓN: ¡LAS CONEXIONES ELÉCTRICAS DE LA CÁMARA DEBEN CUMPLIR CON LAS SECCIONES APLICABLES DEL CÓDIGO NACIONAL ELÉCTRICO Y DE OTROS CÓDIGOS ELÉCTRICOS QUE PUEDAN TENER JURISDICCIÓN SOBRE LA INSTALACIÓN!

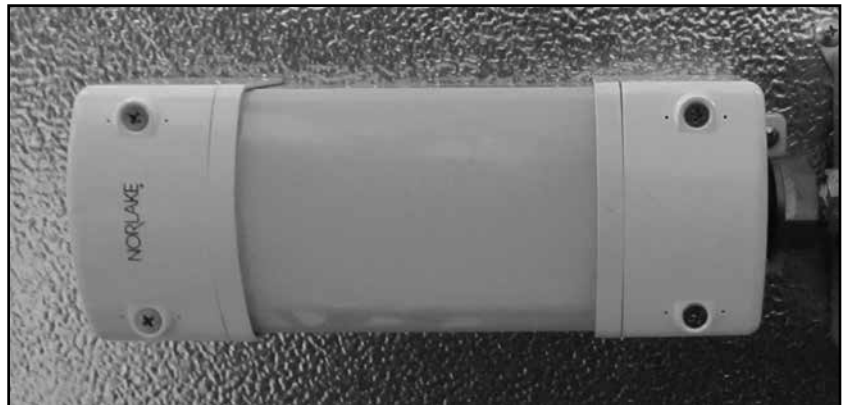


Se recomienda un circuito de suministro de energía dedicado exclusivamente para la cámara.

¡ADVERTENCIA! DESCONECTE EL CIRCUITO DE SUMINISTRO DE ENERGÍA SELECCIONADO PARA AGREGAR UNA ETIQUETA A LA LLAVE DE DESCONEXIÓN QUE INDIQUE QUE EL CIRCUITO NO DEBE SER ACTIVADO MIENTRAS ALGUIEN SE ENCUENTRE TRABAJANDO EN LA LÍNEA.

CABLEADO

El panel puerta del congelador o cámara frigorífica, contiene varios componentes eléctricos que fueron precableados en fábrica. Estos incluyen el calentador anti-condensación de apertura de la puerta, la luz piloto/ interruptor a LED, una luz interior montada sobre el panel puerta. **NOTA: Es responsabilidad del contratante de la parte eléctrica proveer el material de cableado necesario, conductos portacables y accesorios para completar el acoplamiento.**



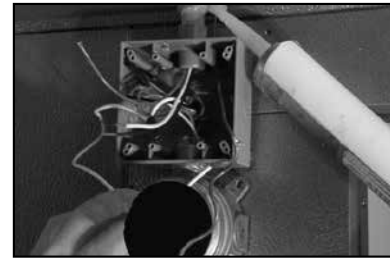
La base para la instalación fija de la luz a prueba de vapor es la caja de empalme que contiene los cables conductores que se hallan precableados a los componentes eléctricos contenidos en la sección puerta. Determine exactamente donde entrará el suministro de energía en la caja de empalmes.

Pegada en el interior de la sección puerta se halla una etiqueta que describe las características eléctricas y el consumo de energía expresado en vatios y amperes.

Los requerimientos energéticos totales para una cámara frigorífica incluyen una (1) lámpara incandescente de 100 vatios. Esta es información útil para determinar los tipos de cables. **La bombilla de luz no está provista.**

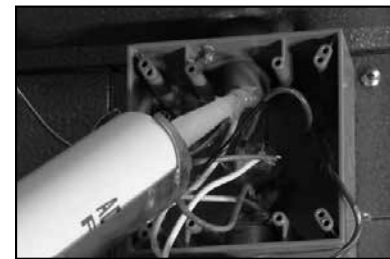


¡IMPORTANTE! Cuando se hayan realizado todas las conexiones de cables en la caja de empalmes ubicada en la parte superior de la sección techo, asegúrese de **SELLAR TOTALMENTE** las adaptaciones del conducto a través del cual el cableado llega a la caja de empalmes. El obturador de silicona provisto es adecuado para este propósito. Si no lo hace correctamente, se podrá acumular humedad dentro de la caja de empalmes y los dispositivos eléctricos, lo que crea riesgo de cortocircuito.



UBICAR EL TERMÓMETRO BULBO SENSOR

Para controlar convenientemente la temperatura del compartimiento de almacenamiento de esta cámara, un termómetro solar de dial de lectura remota se halla instalado en la sección puerta a nivel de la vista. Es un montaje a ras con pantalla de luz LED.



Para una precisión óptima, el bulbo sensor debe estar expuesto al aire que está siendo controlado. Asegúrese de que el bulbo sensor no esté ubicado cerca de la luz interior ni de ningún otro dispositivo que produzca calor; tampoco debe estar ubicado donde haya productos almacenados que se interpongan entre el bulbo y el patrón de circulación de aire de la cámara. El cable sensor largo ofrece un lugar ideal para ubicar el bulbo sensor en la superficie interior de la sección puerta o un panel de pared o esquina adyacente. Cuando la ubicación haya finalizado, se usa una grapa adhesiva plástica para asegurar el bulbo sensor a esa superficie.



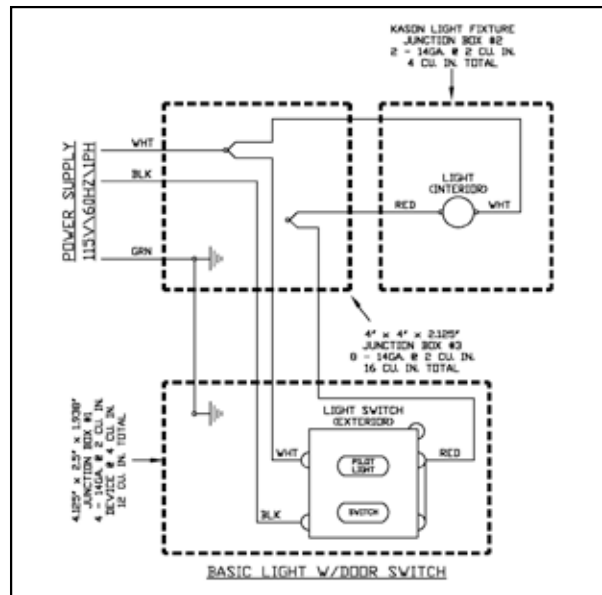
Para evitar posible daño al calentador de apertura de puerta y/o al globo protector de la luz interior, **NO CONECTE ENERGÍA** a la puerta/sección puerta hasta que la temperatura interior se haya reducido al rango normal operativo por refrigeración. Una etiqueta de precaución está pegada en la sección puerta cerca de la luz a prueba de vapor con el objeto de recordarle este cuidado.



El PUERTO del ALIVIO de la PRESION Si un puerto de alivio de presión es suministrado, lo conecte a una alimentación del 115/60/1 VAC.



DIAGRAMA DE CABLEADO: Un diagrama de cableado que muestra los componentes eléctricos contenidos en los circuitos de la puerta/sección puerta como se muestra. Siempre consulte el diagrama de cableado si es necesario reemplazar alguno de los componentes.





BISAGRA AJUSTABLE

Las puertas de la cámara frigorífica Nor-Lake de 26", 30" y 36" de ancho se entregan con bisagra ajustable. La bisagra ajustable permite encuadrar una puerta dentro del marco.

Si necesita ajustar una puerta:

Abra la puerta y encontrará un pequeño botón taponador de cromo, al borde de la puerta detrás de la bisagra superior. Antes de cualquier ajuste, debe aflojar ligeramente los tornillos en la chapa de la bisagra de la puerta. Luego quite el botón taponador de cromo. Así, ahora puede acceder al tornillo de ajuste. Haga sólo ajustes menores y luego cierre la puerta y vea si el ajuste rectificó la situación. Cuando haya terminado, reemplace el tapón de cromo y vuelva a ajustar los tornillos en la abrazadera de la bisagra.

NOTA: En puertas con placa metálica en la parte inferior (kick plate) es probable que tenga que recurrir a una (3ª) bisagra central. En este caso, hay una 2.ª bisagra ajustable. Necesitará aflojar los tornillos tanto en la(s) bisagra(s) de arriba como en la(s) del centro y hacer ajustes menores en ambas áreas..

REEMPLAZO DEL CONJUNTO DE JUNTAS MAGNÉTICAS DE LA PUERTA

Para su conveniencia y seguridad, es aconsejable quitar el conjunto completo de la puerta de la cámara frigorífica o congelador antes de intentar reemplazar la junta de la puerta. Prepare una superficie lisa y limpia sobre la cual la superficie exterior del conjunto de la puerta puede ser colocada sin estropear o raspar el acabado.

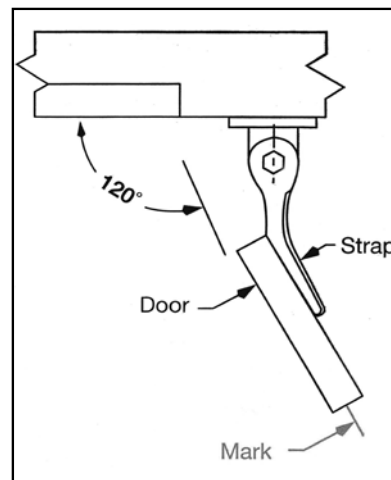
REMOCIÓN DEL CONJUNTO DE PUERTA – TODAS LAS CÁMARAS FRIGORÍFICAS Y CONGELADORES CON PLÁSTICO ESPONJOSO CON BISAGRAS ACCIONADAS POR LEVAS DE ALZAMIENTO

NOTA: Para puertas equipadas con una bisagra con resorte, vea la etiqueta con instrucciones para quitar la puerta en la cara interna de esta, cerca de la bisagra superior. Cuando quite el conjunto de puerta de una cámara, solicite la asistencia de un ayudante durante los procedimientos de quita y reemplazo.

1. Abra la puerta hasta la posición de reposo; frene aproximadamente a los 120°.
2. Haga una marca en el piso para indicar la posición de la puerta (ver diagrama).
3. Levante la puerta y quítela del marco.
4. Para cambiar la puerta, alinee la puerta con la marca en el piso.
5. Coloque los orificios hexagonales de los goznes de las bisagras sobre los vástagos hexagonales y baje la puerta.

PARA RESTABLECER LAS BISAGRAS CON RESORTE

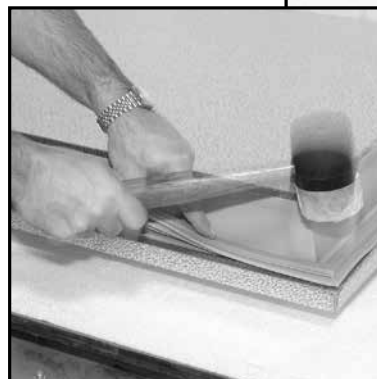
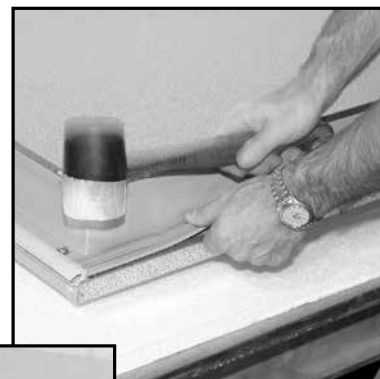
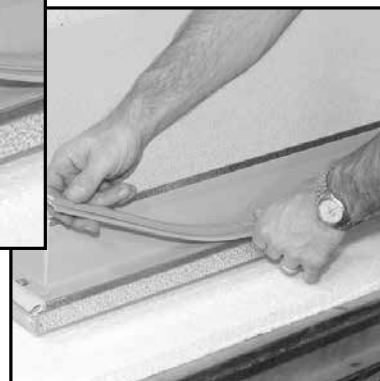
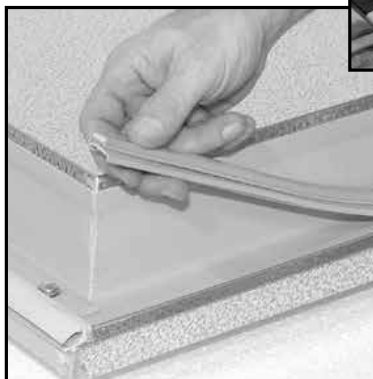
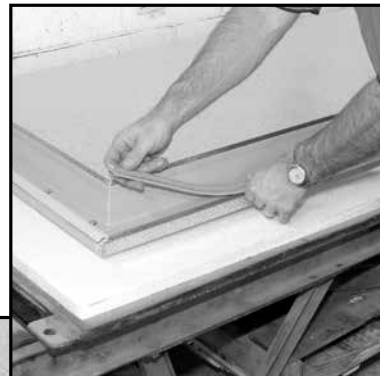
Para la bisagra con resorte superior, tendrá que restablecer el resorte/vástago hexagonal. Con la puerta instalada y cerrada con llave, quite los tornillos del gozne de la bisagra con resorte (de la puerta únicamente). Será necesario que sostenga el gozne contra la puerta para evitar que el resorte salte hacia usted cuando quite los tornillos. Tire hacia arriba de esa pieza del gozne para quitarla de la puerta. Sostenga esa pieza del gozne sobre el resto de la bisagra de manera que el gozne quede al ras de la puerta. Vuelva a bajar la pieza del gozne hacia la puerta de manera que encaje en el vástago hexagonal. Ha restablecido el resorte. Vuelva a insertar los tornillos en el gozne y la puerta. Nota: En condiciones normales, el resorte está relajado cuando la puerta está cerrada.





REEMPLAZO DE LA JUNTA DE LA PUERTA

1. Coloque la cara exterior de la puerta hacia abajo con la junta hacia arriba sobre una superficie limpia y pareja que no estropee ni raspe el acabado.
2. La junta magnética de la puerta consiste en una cavidad que contiene una franja magnética, una cavidad ondulada que le permite a la junta adaptarse a las superficies irregulares y una sección de base que cuenta con una proyección en forma de dardo que funciona como medio de sujeción cuando se la coloca por presión en la ranura del interruptor de la puerta.
3. Para quitar la junta magnética original, tome la junta en uno de sus ángulos y tire de la proyección en forma de dardo para sacarla de la ranura de retención en el interruptor de la puerta. Tire lentamente y controle su progreso para evitar rasgar la proyección, que de ser así quedaría en la ranura de retención.
4. Quite todo el conjunto de juntas y examine la ranura de retención para asegurarse de que esté libre de material de juntas u otros residuos.
5. Empezando en una esquina, inserte la proyección en forma de dardo de la junta de reemplazo en la ranura de retención y, usando un martillo de goma, lleve esta proyección hacia dentro de la ranura de retención. SUGERENCIA: Cubra el martillo con cinta adhesiva para no ensuciar la junta. Sujete solo dos pulgadas (2") de la junta en cada dirección alejándose de la esquina.
6. Utilice el mismo procedimiento que en el Paso 4 para las esquinas que faltan y también en la mitad del tramo entre las esquinas en los lados largos de la puerta.
7. Usando el martillo de goma, lleve la forma de dardo dentro de la ranura de retención, trabajando desde el centro de cada lado hacia las esquinas.
8. Levante la base de la junta sobre el borde externo de la junta y examínela para determinar si la parte en forma de dardo está retenida por la ranura en todo el perímetro de la puerta, excepto donde está sujeta la junta de barrido. Si la parte en forma de dardo no ha quedado en posición en algunas áreas, se puede usar la hoja de un destornillador pequeño para llevar esta parte hacia dentro de la ranura.
9. Reemplace el conjunto de la puerta. Simplemente siga las instrucciones de la sección "Remoción del conjunto de puerta" en sentido inverso.





REEMPLAZO DE LA JUNTA DE BARRIDO

1. Determine la junta de barrido con la que cuenta su cámara de enfriado;
 - a. Junta de barrido antigua sostenida con tornillos (vaya a la instrucción N.º 2).
 - b. Nuevo estilo sostenido con una pinza integral (vaya a la instrucción N. 5 y omita la N.º 6).
2. Retire los tornillos que sostienen la junta de estilo viejo (si no hay tornillos vaya a la N.º) y retire la junta.
3. Cuando haya retirado la vieja junta de barrido, determine si la junta de la puerta debe cortarse en longitud para acomodar la nueva junta de barrido colocando la junta de barrido en posición. Si el barrido puede colocarse de manera que la pinza de la parte trasera de la junta quede alineada con la ranura del retén de la junta de la puerta sin interferir la puerta de la junta, continúe con la instrucción N.º 5 y omita las N.º 4 y N.º 6.
4. Si la junta de la puerta interfiere con la nueva junta del suelo, libere de 15,2 a 20,3 cm (6 a 8 pulgadas) de la junta de la puerta del retén de la junta en ambos extremos de la junta.
5. Instale la junta de barrido comenzando por un extremo, inserte la proyección en forma de pinza en la ranura del retén mediante una maza de caucho y empuje la pinza hacia la ranura del retén.
6. Cuando la junta de barrido esté en su lugar, marque la longitud de la junta de la puerta. Corte la junta de la puerta para que empalme con la junta de barrido. Si es necesario, selle los extremos de la junta de la puerta con silicona.





MECANISMO PARA CERRAR LA PUERTA

El mecanismo para cerrar la puerta fue instalado en fábrica y se probó su correcto funcionamiento antes de su envío. Este pequeño, pero poderoso dispositivo cierra la puerta de un modo suave y positivo, demandando un mínimo de atención. No es necesaria ninguna clase de lubricación. Se recomienda que, al menos una vez cada mes, se examine la relación entre el rodillo y el gancho.



Correcto con la puerta cerrada



Correcto con la puerta abierta

Para familiarizarse con los diversos componentes del mecanismo de cierre, vea la fotografía de un mecanismo correctamente trabado cuando se ha cerrado la puerta de una cámara.



Rodillo demasiado bajo

Dado que el mecanismo para cerrar la puerta de por sí no es ajustable, cualquier ajuste que sea necesario hacer debe realizarse en el gancho del mecanismo de cierre.

PRECAUCIÓN: NO TRATE DE DOBLAR EL GANCHO como un medio de ajuste. El gancho está moldeado y templado para resistir la deformación durante el uso normal.



Rodillo demasiado alto

EL RODILLO ESTÁ DEMASIADO BAJO: Afloje todos los tornillos de la abrazadera del gancho y agregue arandela(s) planas entre la abrazadera y el travesaño donde los dos tornillos SUPERIORES las mantienen en su lugar. Ajuste los tornillos y compruebe la posición del gancho.

EL RODILLO ESTÁ DEMASIADO ALTO: Afloje todos los tornillos de la abrazadera del gancho y agregue arandela(s) entre la abrazadera y el travesaño donde los dos tornillos INFERIORES los mantendrán en su lugar. Ajuste los tornillos y compruebe la posición del gancho.

Si, por alguna razón, el brazo del rodillo se ve accidental y repentinamente llevado a una posición vertical mientras la puerta está abierta, DEBE SER MOVIDO DE MODO MANUAL HACIA LA POSICIÓN HORIZONTAL antes de cerrar la puerta. El no hacer esto podría dañar seriamente la puerta y/o el mecanismo para cerrar la puerta.



Hay una etiqueta de advertencia pegada en la sección puerta a modo de recordatorio.



CALENTADOR DE APERTURA ANTICONDENSACIÓN DE LA PUERTA

Para evitar que se formen condensaciones alrededor de los bordes exteriores de apertura de la puerta, un calentador anticondensación se halla instalado a lo largo del perímetro de apertura de la puerta. Este cable eléctrico de calentamiento de flujo constante de energía de bajo voltaje eleva la temperatura de los batientes y umbrales de la puerta lo suficiente para mantener a estas superficies por encima del punto rocío del aire circundante, previniendo la condensación.

Se puede sospechar que falla el cable calentador cuando se forman condensaciones a lo largo del perímetro de apertura de la puerta. Se acumula la humedad hasta un punto donde causa un problema al piso del edificio o cuando las condensaciones se congelan alrededor de la apertura de la puerta y éste sería el caso cuando se trata de una cámara congeladora. Sin embargo, no hay razón de alarma si ocasionalmente se forman unas pocas gotas de humedad durante un período de HUMEDAD AMBIENTE EXCEPCIONALMENTE ALTA.

NOTA: ¡El cable calentador está diseñado para proveer la cantidad de calor justa a las superficies a lo largo del perímetro de apertura de la puerta MIENTRAS LA CÁMARA ESTÁ A LA TEMPERATURA PROYECTADA! Puede ocurrir una falla prematura si se suministra energía al cable calentador por un tiempo prolongado mientras no se halla activa ninguna refrigeración dentro de la cámara frigorífica o congelador de acceso total.

REEMPLAZO DEL CABLE CALENTADOR

Deben quitarse tres piezas de la guarnición de cromo y el umbral para acceder al cable calentador. La guarnición de cromo sirve como cubierta para el canal de conducción donde está instalado el cable calentador en los batientes laterales y superior. El umbral cubre el canal del calentador en la parte inferior de la sección puerta.

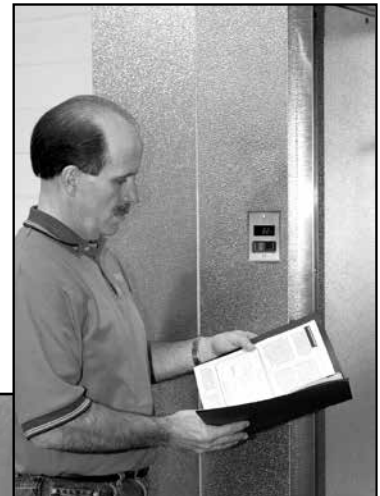
REMOCIÓN DEL UMBRAL

¡ADVERTENCIA! Asegúrese de que la alimentación eléctrica hacia la cámara de refrigeración esté desconectada antes de intentar reemplazar el calentador de la puerta.

Para remover el umbral, quite todos los tornillos visibles que fijan el umbral al piso de la cámara o al piso del edificio. Tres tornillos fijan el umbral a la placa inferior de la sección puerta. Cuando se hayan quitado todos los tornillos, haga palanca en el umbral hacia arriba hasta que quede libre y quítelo de la sección piso.

REMOCIÓN DE LA GUARNICIÓN DE CROMO

Con un destornillador, retire los cuatro tornillos de cada una de las tres piezas de guarnición. Retire las piezas de guarnición de a una por vez. Esto dejará al descubierto el cable calentador y la franja espaciadora de aglomerado.





Nuevamente, ASEGÚRESE DE QUE LA ENERGÍA ELÉCTRICA ESTÉ DESCONECTADA y quite la placa de cobertura de la luz piloto y el interruptor del frente de la sección puerta. Quite los dos tornillos que fijan el conjunto de luz piloto e interruptor a la caja de distribución y levante el conjunto de luz piloto e interruptor de la caja lo suficiente para ver los tornillos terminales en el dispositivo.



Examine el cableado en la caja de distribución e identifique dos cables negros del cable calentador que están conectados ya sea a dos terminales de interruptor o a una terminal de interruptor y a un empalme de cables. Consulte el diagrama de cableado de la cámara frigorífica en la sección "Conexiones eléctricas" de este manual. SUGERENCIA: Luego de identificar sin dudas los dos cables al cable calentador, córtelos, pero deje una o dos pulgadas en el terminal del interruptor y/o del empalme de cables. Haciendo esto, estas dos terminaciones de cables identificarán positivamente los puntos correctos de conexión cuando se instale el cable calentador de reemplazo. Quite el cable calentador original de los batientes y del umbral y descártelo.



INSTALACIÓN DEL CALENTADOR DE REEMPLAZO

Inserte los dos cables del calentador de reemplazo en el agujero de acceso del canal de conducción que va a la luz piloto y a la caja de interruptor y distribución. **NOTA:** ¡La sección donde el cable se conecta al cable calentador NO DEBE DOBLARSE! ¡Ubique las secciones de conectores tan cerca como sea posible a los agujeros de acceso, pero MANTÉNGALAS DERECHAS! Asegure las secciones de conector en su lugar con un pequeño trozo de cinta aislante autoadhesiva.

Arregle provisoriamente el conjunto de cable calentador.



Ajuste en su lugar el cable calentador utilizando pequeños trozos de cinta aislante. Levante el cable calentador en cada esquina y aplique tres espesores de cinta aislante alrededor del aislamiento por un largo de aproximadamente 3".

Continúe formando un pequeño lazo en cada esquina para permitir la expansión y la contracción del cable calentador sin que haya tensión en esos puntos. Luego de formar los lazos, colóquelos en posición con un trozo de cinta aislante.

El cable calentador debe estar relativamente derecho en el batiente superior y los batientes laterales, pero el cable calentador que sobre debe permanecer enrollado SÓLO EN EL ÁREA DEL UMBRAL en forma de "zig-zag". Asegúrese de que esté así enrollado a lo ancho del canal de conducción en la placa inferior o el umbral. El largo extra de cable calentador concentrado en el umbral producirá más calor por pie en este lugar que en los batientes.

Luego que el cable calentador se haya ubicado, asegúrelo con trozos pequeños de cinta aislante donde sea necesario para evitar que el cable calentador interfiera con el reemplazo de la guarnición de cromo.



REEMPLAZO DE LA GUARNICIÓN DE CROMO

Comience el reemplazo de la guarnición de cromo con la sección del batiente superior. Mantenga los tres tornillos en su lugar mientras está reemplazando. Instale las guarniciones de la izquierda y de la derecha de un modo similar. La guarnición se reemplaza fácilmente a mano.





CONEXIÓN ELÉCTRICA

Consultando el diagrama de cableado en la sección “Conexiones eléctricas” de este manual, conecte el cable calentador como se muestra. Si se dejaran tramos cortos de los cables como indicadores, conecte el cable calentador de reemplazo a aquellos puntos de conexión y descarte los tramos indicadores cortos.

NOTA: Si uno de los cables calentadores se conecta con otro a través de un conector de alambre, consiga un cable conector en espiral de un tamaño adecuado, para este propósito.

Reemplace la luz piloto y el interruptor en la caja de distribución y vuelva a poner la cubierta de la caja para completar el trabajo. Restituya la corriente eléctrica en la cámara frigorífica para continuar la operación.

LIMPIEZA DE PANEL Y RECOMENDACIONES DE MANTENIMIENTO

Durante el desarrollo del desempaque, la manipulación y la instalación, las superficies de los paneles de su cámara frigorífica o congelador pueden mancharse o ensuciarse. La limpieza de todo tipo de superficie de metal, de las guarniciones de las puertas y de las juntas puede realizarse con un detergente suave y agua tibia. Es importante quitar todo exceso de jabón y secar las superficies por completo. Nunca, bajo ninguna circunstancia use una solución abrasiva o alcalina.

Ocasionalmente puede necesitar limpiar la superficie interior por razones de higiene. Una solución suave de bicarbonato de sodio y agua tibia puede usarse para obtener limpieza y un olor agradable en el interior, si es que hubiere algún olor desagradable, producto de salpicaduras o roturas de algún contenedor. Nunca deje agua estancada dentro de la cámara frigorífica o congeladora.

Advertencia: El piso de acceso debe mantenerse libre de líquidos, partículas de alimentos o cualquier elemento que pueda provocar riesgos de resbalones. Los líquidos derramados, las partículas de alimentos o cualquier humedad en el piso de acceso pueden hacer que el piso se vuelva resbaladizo. Mantenga la superficie del piso limpia y seca en todo momento.

- Inspeccione las cintas antideslizantes para pisos en rampas y superficies del piso, y reemplácelas en caso de desgaste.
- Inspeccione el sistema de refrigeración, las juntas de puertas y los accesorios para su correcto funcionamiento a fin de evitar la humedad en el piso de acceso, el techo y las paredes.
- Evite dejar las puertas de entrada abiertas por más de cinco minutos, lo que puede provocar que se forme una película de hielo en el piso, el techo y las paredes debido a la condensación excesiva del aire húmedo caliente que ingresa al área acceso. Se pueden usar cortinas de cintas de vinilo para reducir la cantidad de aire húmedo caliente que entra al área de acceso.



Lista de comprobación final para la instalación de cámaras de enfriado y refrigeración de Nor-Lake, Inc.

N.º de ubicación

N.º de orden de ventas

Estimado contratista de refrigeración:

Nuestro objetivo es suministrar a nuestros clientes los mejores equipos disponibles. Esto se logra combinando los equipos comerciales de refrigeración de mayor calidad con una instalación artesanal que cumpla con todos los requisitos de la fábrica.

Este documento lo ayudará a comprender y verificar si la instalación cumple con dichos requisitos. Este documento debe utilizarse junto con el Manual de instrucciones de instalación y funcionamiento de Nor-Lake y con los planos de ubicación provistos con el producto.

Cuando el trabajo esté completo y el equipo esté funcionando según las especificaciones de la fábrica, debe completarse el informe de inspección adjunto en su totalidad y devolverse a Nor-Lake.

Si tiene alguna pregunta o inquietud, o necesita mantenimiento o piezas de repuesto, comuníquese con el Departamento de instalación de Nor-Lake llamando al 877-503-5253 o por fax al 715-386-4293. Tenga a mano el número de modelo y el número de serie del equipo al momento de llamar.

Factores que debe verificar cuando inspecciona una instalación:

(El contratista de refrigeración que realiza la instalación debe completar las áreas sombreadas)

Cámara de enfriado	Sí	No	Reparaciones realizadas	Revisión de GC *
1. ¿Faltó algún componente en la entrega que debió haber sido suministrado por Nor-Lake? Verifique que todos los componentes entregados en el lugar de trabajo coincidan con la lista de embalaje de Nor-Lake.				
2. ¿Está la superficie sobre la que debe instalarse la cámara de enfriado suave y nivelada a un rango de más o menos 1,2 cm (1/2 pulg.) sobre la longitud de la losa? (Se recomienda utilizar un nivel de cadena o de láser para verificar que la losa cumpla con estos requisitos). La cámara de enfriado no debe instalarse si el nivel de la losa no cumple con estos requisitos.				
3. ¿Se instaló la barrera de vapor de película de polietileno de 6 mil antes de instalar los paneles del suelo?				
4. ¿Está la cámara de enfriado centrada en el espacio provisto con un mínimo de 5 cm (2 pulg.) de espacio entre la cámara de enfriado y las paredes del edificio en cada lado?				
5. ¿Están las cavidades entre el cerramiento del edificio y las paredes externas de la cámara de enfriado libres de desechos y sin obstrucciones?				
6. ¿Existe algún panel u otro componente dañado, o abolladuras o rayones antiestéticas en el suelo, la pared o los paneles del techo de la cámara de enfriado suministrada?				
7. ¿Está la base de la cámara de enfriado enmansillada alrededor del perímetro?				
8. ¿Están todos los paneles de la pared nivelados en la parte superior? ¿Está las paredes centradas y niveladas con el techo?				
9. ¿Existe algún espacio vacío identificado entre los paneles de la pared junto al conjunto de la cerradura y el pestillo? La junta del panel debe estar en contacto con los bordes de metal de ambos paneles.				



<p>10. ¿Están la sección y el cobertor de la puerta centrados y nivelados? ¿La puerta se cierra correctamente? (Verifique si la puerta cierra correctamente abriéndola a 90°. La puerta debe cerrarse y sellarse sin asistencia).</p> <p>11. ¿Están las luces instaladas, conectadas al interruptor de luces y funcionando correctamente?</p> <p>12. ¿Se han sellado correctamente todas las penetraciones eléctricas y similares según lo recomendado por Nor-Lake?</p> <p>13. ¿Está el sensor de temperatura extendido lejos de la puerta y montado en la pared?</p> <p>14. ¿Está la cortina de cintas montada y asegurada en su lugar?</p> <p>15. ¿Están la tubería de refrigerante y el cable eléctrico bien soportados y sin tensiones?</p> <p>16. ¿Está correctamente instalada la etiqueta del número de serie?</p> <p>17. ¿Se ha eliminado el material de construcción excedente de la parte superior de la cámara de enfriado?</p> <p>18. ¿Es profesional el aspecto de la instalación?</p>	
--	--

Inspección final de la cámara de enfriado y los sistemas de refrigeración	Sí	No	Reparaciones realizadas	Revisión de GC *
¿Se han entregado al usuario final los manuales de instalación y mantenimiento, los diagramas de cableado y demás documentos de la cámara de enfriado?				

Número(s) de modelo de la cámara de enfriado: _____
 Número(s) de serie de la cámara de enfriado: _____

Al firmar abajo, el instalador certifica aquí que la instalación se ha completado según los estándares y especificaciones de Nor-Lake. El contratista de la instalación corregirá los elementos que no cumplan con dichas disposiciones sin costo alguno.

Nombre del contratista de refrigeración/instalación: _____
 Firma del contratista de refrigeración/instalación: _____
 Fecha: _____
 Nombre del contratista general: _____
 Firma del contratista general: _____
 Fecha: _____

Comuníquese con el departamento de instalaciones de Nor-Lake

Nor-Lake, Inc.
 Atentamente: Departamento de instalación
 Hudson, WI 54016
 (877) 503-5253

Nor-Lake, Incorporated
727 Second Street
Hudson, Wisconsin 54016

800-955-5253 Ventas
800-388-5253 Repuestos/Servicio
715-386-2323
715-386-6149 FAX
Email: service@norlake.com
www.norlake.com

