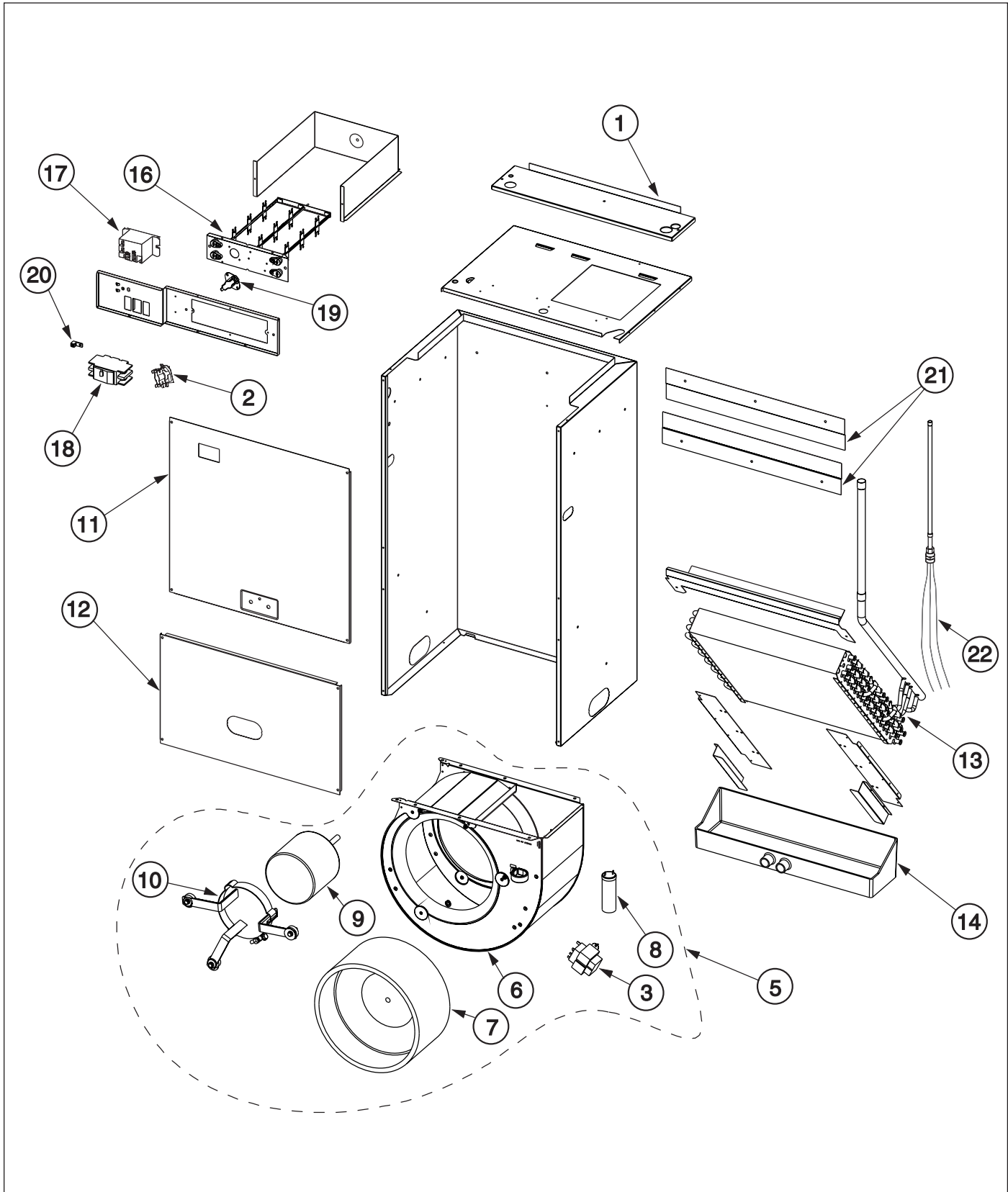


REPLACEMENT PARTS LIST

**Wall Mount Air Handler
 (B3BW, GB3BW)**



B3BW, GB3BW Wall Mount Air Handler

ITEM	PART #	DESCRIPTION	018K-05	018K-08	024K-05	024K-08	024K-10	030K-05	030K-08	030K-10	036K-08	036K-10
1	D12311R	Top Panel	1	1	1	1	1	1	1	1	1	1
2	621948	Blower Sequencer	1	1	1	1	1	1	1	1	1	1
3	621709	Transformer 230V/24V, 40VA	1	1	1	1	1	1	1	1	1	1
4	632261	Fuse, 3 Amp(not shown)	1	1	1	1	1	1	1	1	1	1
5	903948	Blower Assy, 10x6, 1/5hp	1	1	1	1	1					
	903949	Blower Assy, 11x6, 1/2hp						1	1	1	1	1
6	497193	Blower Housing, 10x6	1	1	1	1	1					
	497198	Blower Housing, 11x6						1	1	1	1	1
7	667251	Blower Wheel, 10x6	1	1	1	1	1					
	667256	Blower Wheel, 11x6						1	1	1	1	1
8	621434	Capacitor, 7.5UF, 370V	1	1	1	1	1					
	621435	Capacitor, 10.0UF, 370V						1	1	1	1	1
9	621935	Motor, 1/5hp, 230V, 60hz, 2spd	1	1	1	1	1					
	621936	Motor, 1/2hp, 230V, 60hz, 2spd						1	1	1	1	1
10	903489	Motor Mount						1	1	1	1	1
11	D12301R	Front Access Panel	1	1	1	1	1	1	1	1	1	1
12	392301R	Front/Bottom Panel	1	1	1	1	1	1	1	1	1	1
13	903950D	Coil assy 024/018	¹ 1	¹ 1	1	1	1					
	903951D	Coil assy 030/036						1	1	1	² 1	² 1
14	669360	Drain Pan	1	1	1	1	1	1	1	1	1	1
15	668934	Filter 16 x 20 disposable (not shown)	1	1	1	1	1	1	1	1	1	1
16	270871R	Element assembly 5kw	1		1			1				
	270872R	Element assembly 8kw		1		1			1		1	
	270873R	Element assembly 10kw					1			1		1
17	621898	Relay SPST	1		1			1				
	621921	Relay DPST		1		1	1		1	1	1	1
18	632249	Circuit Breaker, 60A	1	1	1	1	1	1	1	1	1	1
19	626408	Limit, 145, 1-pole	1		1			1				
	626407	Limit, 145, 2-pole		1		1	1		1	1	1	1
20	631431	Grounding lug	1	1	1	1	1	1	1	1	1	1
21	176351	Mounting Bracket	2	2	2	2	2	2	2	2	2	2
22	663883	Distributor			1	1	1					
	663884	Distributor						1	1	1		
	663885	Distributor	1	1								
	663887	Distributor									1	1

¹ Requires restrictor change to .051

² Requires restrictor change to .067

