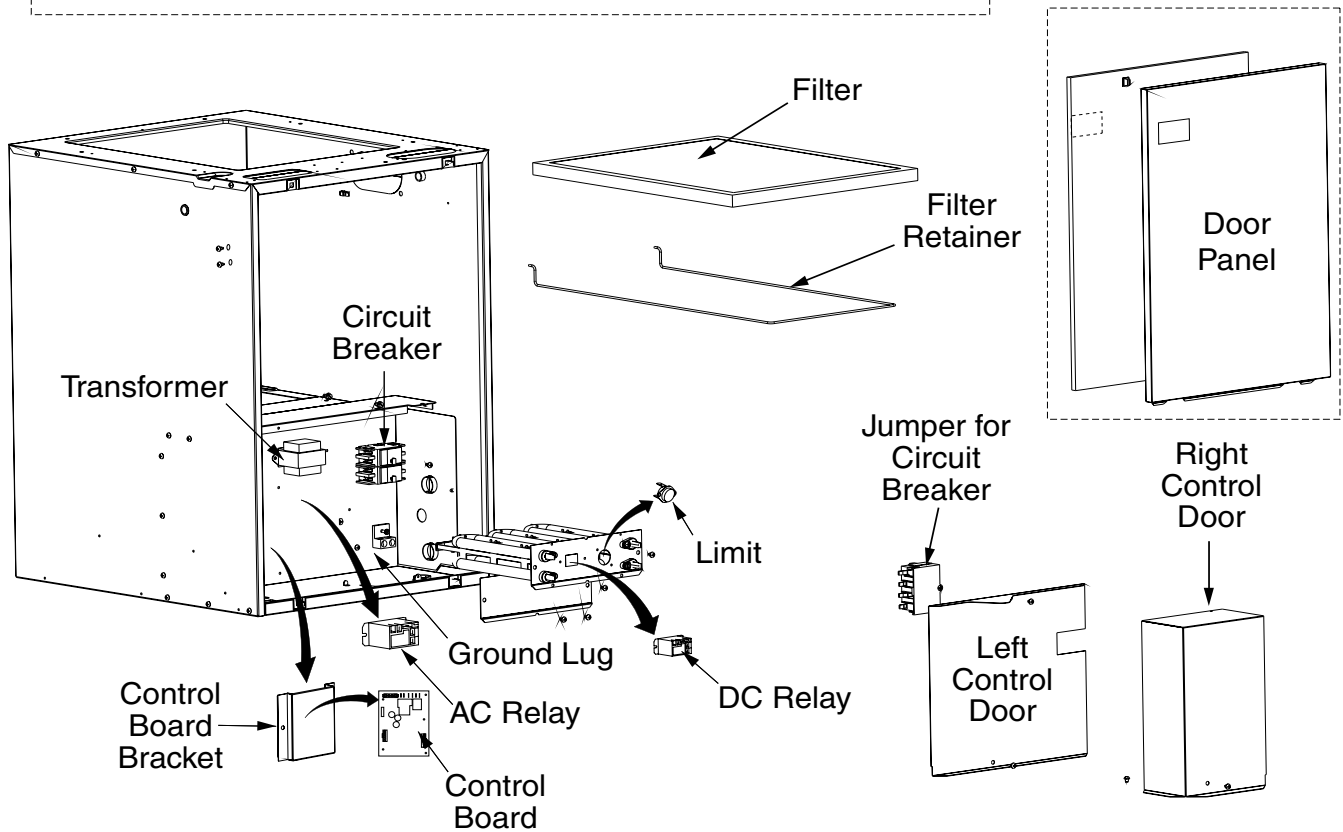
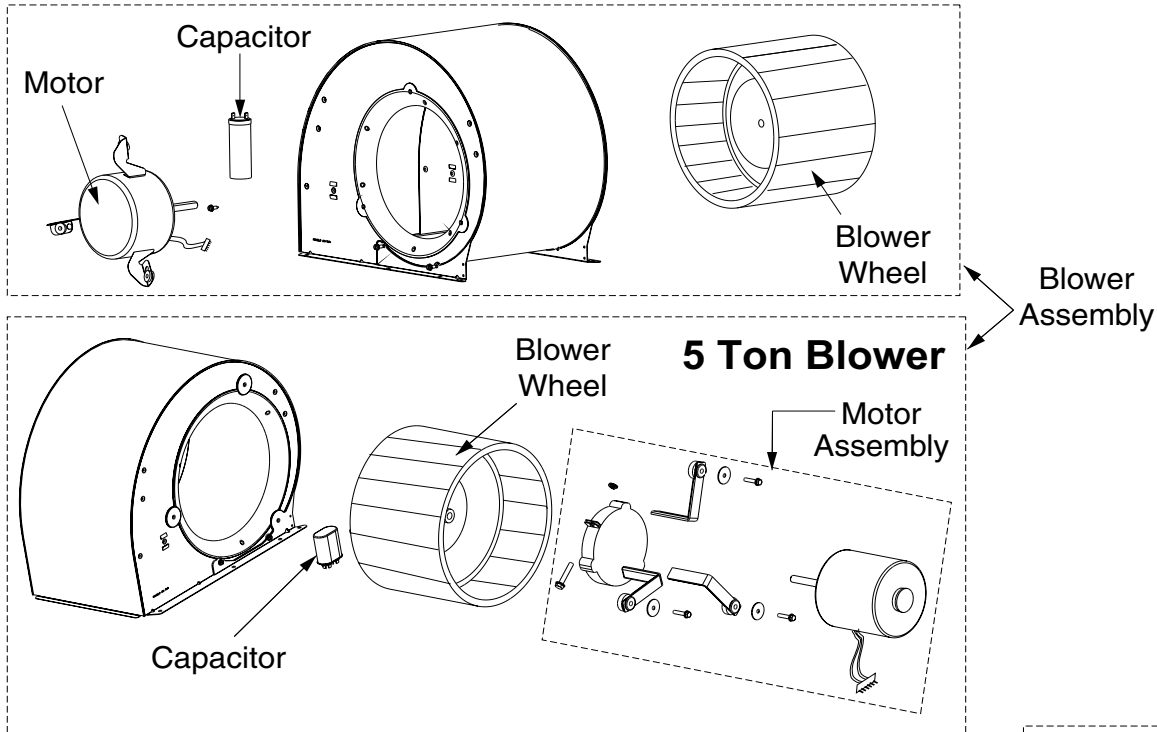


REPLACEMENT PARTS LIST

**E6 SERIES ELECTRIC FURNACE
 MODELS -010, -012, -015, -017, -020, -023**



E6 ELECTRIC FURNACE REPLACEMENTS PARTS LIST

| DESCRIPTION | MODEL KW | | | | | | |
|---|----------|----------|----------|----------|----------|----------|--------------|
| | -010 | -012 | -015 | -017 | -020 | -023 | -023 (5 TON) |
| AC RELAY | 1017206 | 1017206 | 1017206 | 1017206 | 1017206 | 1017206 | 1017206 |
| BUSHING | 631781 | 631781 | 631781 | 631781 | 631781 | 631781 | 631781 |
| CAPACITOR 7.5 MFD 370V | 01-0023 | 01-0023 | 01-0023 | 01-0023 | 01-0023 | 01-0023 | - |
| CAPACITOR 20 MFD 370V | - | - | - | - | - | - | 01-0027 |
| CIRCUIT BREAKER, 60A, 2 POLE | 1034963R | 1034963R | 1034963R | 1034963R | 1034963R | 1034963R | 1034963R |
| CONNECTOR, CAP 6-PIN MATRIX | 631728R | 631728R | 631728R | 631728R | 631728R | 631728R | 631728R |
| CONTROL BOARD | 1016380R | 1016380R | 1016380R | 1016380R | 1016380R | 1016380R | 1016380R |
| CONTROL BOARD BRACKET | 280671R | 280671R | 280671R | 280671R | 280671R | 280671R | 280671R |
| DC RELAY | 1017207 | 1017207 | 1017207 | 1017207 | 1017207 | 1017207 | 1017207 |
| ELEMENT ASSEMBLY 5.0kW @ 240V | - | - | 902818* | - | - | - | - |
| ELEMENT ASSEMBLY 5.4kW @ 240V | - | - | - | 902820* | - | - | - |
| ELEMENT ASSEMBLY 10.0 kW @ 240V | 902821# | - | 902821# | - | 902821† | 902821* | 902821* |
| ELEMENT ASSEMBLY 10.8kW @ 240V | - | - | - | 902823# | - | - | - |
| ELEMENT ASSEMBLY 11.6kW @ 240V | - | 902824# | - | - | - | 902824# | 902824# |
| FILTER | 668860R | 668860R | 668860R | 668860R | 668860R | 668860R | 668860R |
| FILTER RETAINER | 669053R | 669053R | 669053R | 669053R | 669053R | 669053R | 669053R |
| FUSE, 3 AMP (NOT SHOWN) | 632261R | 632261R | 632261R | 632261R | 632261R | 632261R | 632261R |
| GROUND LUG | 632235R | 632235R | 632235R | 632235R | 632235R | 632235R | 632235R |
| HOLE PLUG (1/2") | 632307R | 632307R | 632307R | 632307R | 632307R | 632307R | 632307R |
| HOLE PLUG (3/4") | 632308R | 632308R | 632308R | 632308R | 632308R | 632308R | 632308R |
| LEFT CONTROL DOOR, 10kW | D00721R | - | - | - | - | - | - |
| LEFT CONTROL DOOR, 12-23kW | - | D00722R | D00722R | D00722R | D00722R | D00722R | D00722R |
| LIMIT, 1 POLE | - | - | 626459R | 626459R | - | - | - |
| LIMIT, 2 POLE | 626458R | 626458R | 626458R | 626458R | 626458R | 626540R | 626540R |
| MOTOR, 1/3 HP 4 SPEED | 903075 | 903075 | 903075 | 903075 | 903075 | 903075 | - |
| MOTOR, 3/4 HP 4 SPEED | - | - | - | - | - | - | 903096 |
| PANEL DOOR, WHITE - INCLUDES INSULATION | 917260 | 917260 | 917260 | 917260 | 917260 | 917260 | 917260 |
| RECEPTACLE LATCH | 668420R | 668420R | 668420R | 668420R | 668420R | 668420R | 668420R |
| RIGHT CONTROL DOOR | D00740R | D00740R | D00740R | D00740R | D00740R | D00740R | D00740R |
| "SINGLE CIR. ADAPTOR KIT STANDARD ON 012 MODEL, (OPTIONAL ON 015-023 MODELS)" | - | 913874 | - | - | - | - | - |
| STRIKE LATCH (2 PIECES) | 1018719 | 1018719 | 1018719 | 1018719 | 1018719 | 1018719 | 1018719 |
| TRANSFORMER, 40 VA | 622762R | 622762R | 622762R | 622762R | 622762R | 622762R | 622762R |
| WHEEL, BLOWER (10 x 8) | 667037R | 667037R | 667037R | 667037R | 667037R | 667037R | - |
| WHEEL, BLOWER (11 x 8) | - | - | - | - | - | - | 667258R |

Please specify the correct Model No., Serial No. and part number(s) when ordering parts from the nearest authorized dealer or service center.

* = Bottom element in downflow position unit in the picture.

= Top element in downflow position unit in the picture.

† = Uses quantity of two.

