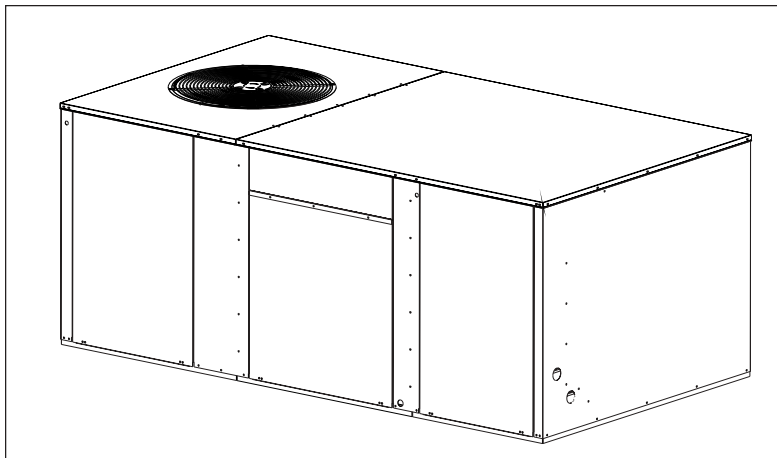
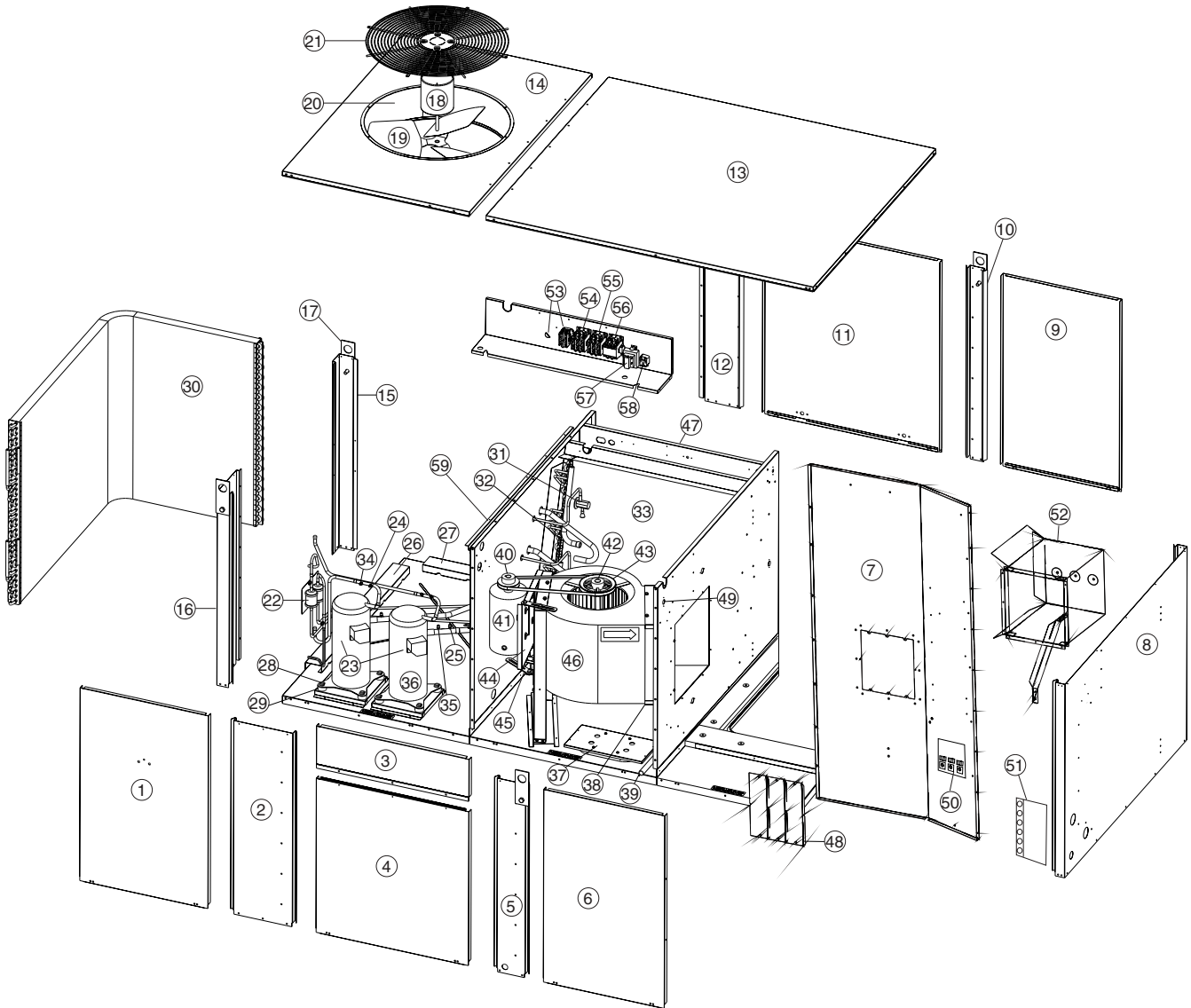


**Single Package Electric Heating/
Electric Cooling Unit
7½ and 10 Ton Series**



7½ Ton Model shown



REPLACEMENT PARTS LIST		(*)P4SN-090*			(*)P4SN-120*		
Item	Part # Description	208/230 V 3 Phase	460 V 3 Phase	208/230 V 3 Phase	460 V 3 Phase	208/230 V 3 Phase	460 V 3 Phase
1	D06721R Panel, Compressor Access	1	1				
2	D06722R Panel, Compressor / Blower Divider	1	1				
3	391411R Panel, Electrical Control Access	1	1				
4	391412R Panel, Blower Access	1	1				
5	386121R Panel, Blower / Burner Divider	1	1				
6	386132R Panel, Element Access	1	1				
7	D11311 Panel, Electric Element	1	1				
8	D11312 Panel, HX Compartment End	1	1				
9	386151R Panel, Heat Exchanger Access	1	1				
10	386152R Panel, HX / Evaporator Divider	1	1				
11	386161R Panel, Evaporator Access	1	1				
12	D07161R Panel, Evaporator / Condenser Divider	1	1				
13	277111 Heat Exchanger / Evaporator Top Pan	1	1				
14	D06810 Condenser Top Pan	1	1				
15	D06990 (10 Ton Not Shown) Condenser Corner Post	1	1				
16	387571R Compressor Corner Post	1	1				
17	387562R Lifting Plate	4	4				
18	606240 Motor, Outdoor Fan - 208/230V, 3/4 HP	1	1				
19	621778 Motor, Outdoor Fan - 460V, 3/4 HP						
20	622093 Motor, Outdoor Fan - 208/230V, 1/2 HP						
21	622094 Motor, Outdoor Fan - 460V, 1/2 HP						
22	667312 Fan Blade - 24", 4 Blade	1	1				
23	667286 Fan Blade - 22", 4 Blade						
24	385610 Orifice, Condenser Fan 24"	1	1				
25	280961 Orifice, Condenser Fan 22"	1	1				
26	669369 Grille, Condenser Fan - 24"	1	1				
27	669444 Grille, Condenser Fan - 22"	2	2				
28	668800 Filter Drier - Liquid Line	2	2				
29	917988 Compressor, ZR40K3-TF5 (208/230V)	2	2				
30	917969 Compressor, ZR40K3-TFD (460V)						
-120 models produced before 2/1/05							
31	917942 Compressor, ZR48K3-TF5 (208/230V)						
32	917943 Compressor, ZR48K3-TFD (460V)						
-120 models produced after 2/1/05							
33	918940 Compressor, ZR54KC-TF5 (208/230V)						
34	918941 Compressor, ZR54KC-TFD (460V)						

REPLACEMENT PARTS LIST		(*)P4SN-090*			(*)P4SN-120*		
Item	Part # Description	208/230 V 3 Phase	460 V 3 Phase	208/230 V 3 Phase	460 V 3 Phase	208/230 V 3 Phase	460 V 3 Phase
24	663756 Service Valve, 1/2" Discharge Line	2	2				
25	663907 Dual Port Service Valve, 7/8" Suction Line	2	2				
26	388830 Condenser Coil Support - Front	1	1				
27	278111 Condenser Coil Support - Side	1	1				
28	600400 Compressor Bolt, 5/16-18 x 1-1/2"	8	8				
29	668530 Compressor Mounting Grommet	8	8				
30	277101R Condenser Coil Assembly	1	1				
31	669196 T.X.V. w/ 5 Circuit Distributor	2	2				
32	669197 T.X.V. w/ 7 Circuit Distributor	2	2				
33	626476 Switch, Evaporator Freezestat	2	2				
34	D06570R Evaporator Coil Assembly	1	1				
35	D07040R (10 Ton - Stacked Twin Coils)	2	2				
36	632334 Switch, High Pressure - Manual Reset	2	2				
37	632335 Switch, Low Pressure - Auto Reset	2	2				
38	632345 Crankcase Heater - 230V / 70 WATT	2	2				
39	632346 Crankcase Heater - 460V / 70 WATT	2	2				
40	263920 Bottom Power Entry Cover	1	1				
41	669205 Condensate Drain Pan (Not Shown)	1	1				
42	663755 Drain Pipe Assembly	1	1				
43	667290 Adjustable Motor Sheave	1	1				
44	622026 Blower Motor - 2 HP, 208/230V, 3 Ph.	1	1				
45	622026 Blower Motor - 2 HP, 460V, 3 Ph.	1	1				
46	621819 Blower Motor - 3 HP, 208/230V, 3 Ph.	1	1				
47	621820 Blower Motor - 3 HP, 460V, 3 Ph.	1	1				
48	667288 Pulley, Indoor Blower	1	1				
49	667299 Belt, Blower Drive	1	1				
50	669195 Motor Mounting Plate	1	1				
51	606241 Belt Tension Bar	2	2				
52	667284 Blower Housing and Wheel - 12 x 12	1	1				
53	667285 Blower Housing and Wheel - 15 x 15	4	4				
54	668940 Filters 16 x 20 x 2 - U.L. Class 2 (Not Shown)	4	4				
55	668932 Filters 16 x 25 x 2 - U.L. Class 2 (Not Shown)	3	3				
56	226420 Close Off Plate	1	1				
57	626480 Outdoor Thermostat 40F (090 Models Only)	1	1				
58	632366 Terminal Block, High Voltage	1	1				
59	632362 Terminal Board, Low Voltage	1	1				
60	D11351 Electric Element Housing	1	1				
61	621688 Contactor, Outdoor Fan - 2 Pole 20A	1	1				
62	621832 Contactor, Compressor - 3 Pole 30A w/ Aux. Sw.	1	1				
63	621832 Contactor, Compressor - 3 Pole 30A w/ Aux. Sw.	1	1				
64	621832 Contactor, Compressor - 3 Pole 30A w/ Aux. Sw.	1	1				
65	621832 Contactor, Blower Motor - 3 Pole 30A w/ Aux. Sw.	1	1				
66	621783 Transformer, Primary Control - 75VA/24V (230V)	1	1				
67	621795 Transformer, Primary Control - 75VA/24V (460V)	1	1				
68	621867 Relay, Blower (Not Shown)	1	1				
69	621500 Capacitor(s) (Not Shown)	1	1				
70	621436						