

## REPLACEMENT PARTS LIST

SINGLE PACKAGE AIR CONDITIONER

PPA2RFXKA SERIES

208 / 230 V, SINGLE PHASE, 15 SEER MODELS



### IMPORTANT

- This document is primarily intended to assist qualified individuals experienced in the proper repair or servicing of this appliance. Only factory authorized parts or accessory kits may be used with this product. Improper installation, service, adjustment, or maintenance may cause explosion, fire, electrical shock or other hazardous conditions which may result in personal injury or property damage.
- Some local codes require licensed installation / service personnel to service this type of equipment. Under no circumstances should the equipment owner attempt to install parts or service this equipment. Failure to comply with this warning could result in property damage, personal injury, or death.

**PPA2RFXKA SERIES SINGLE PACKAGE AIR CONDITIONER  
208 / 230 V, SINGLE PHASE, 15 SEER MODELS**

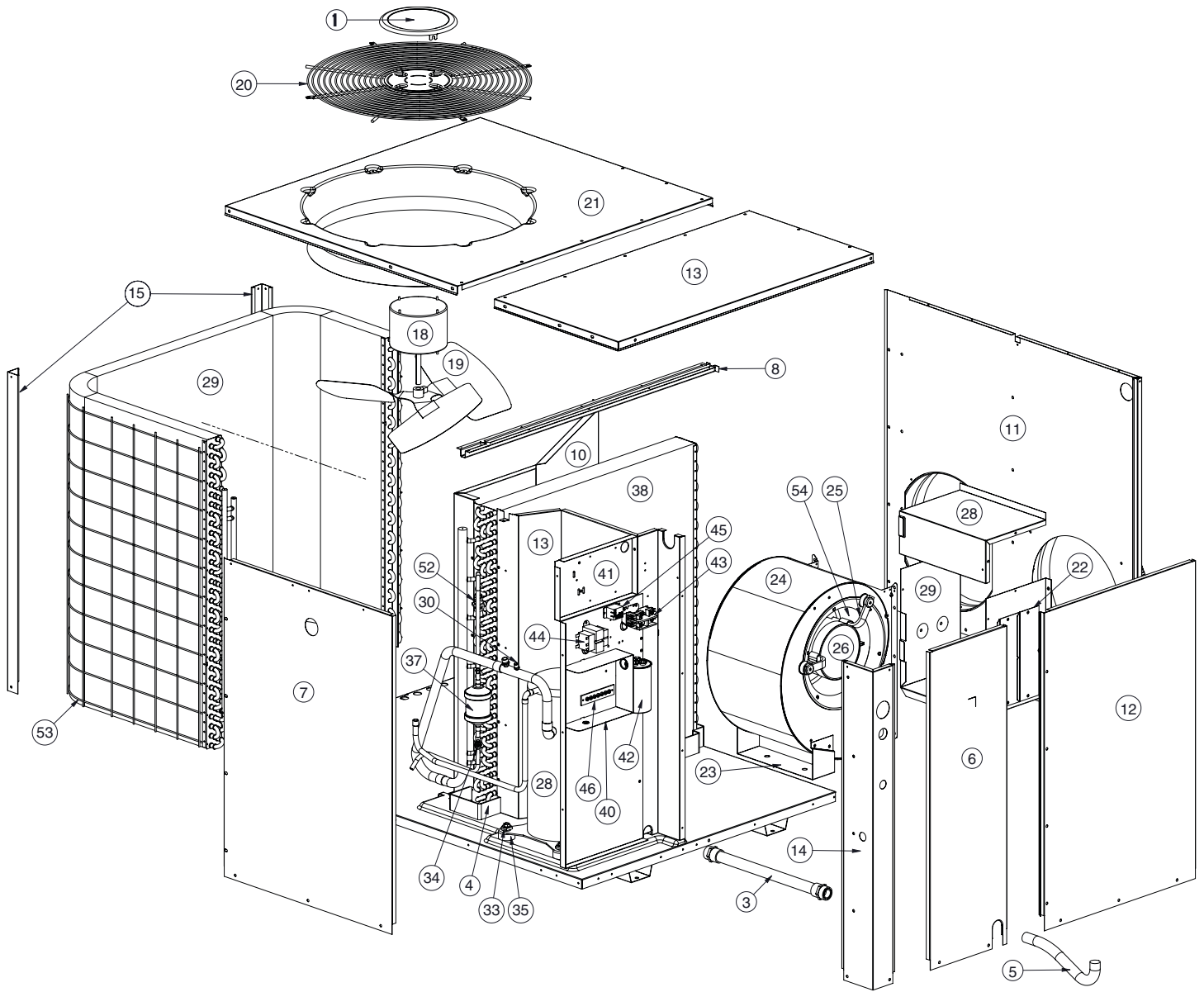
ITEM	DESCRIPTION	PPA2RFX24KA	PPA2RFX36KA	PPA2RFX48KA	PPA2RFX60KA
		920880PA	920881PA	920882PA	920883PA
1	CAP, TOP, FAN, GRILLE, STERLING	275291R	275291R	275291R	275291R
2	BRACKET, TERMINAL BLOCK (NOT SHOWN)	2B3441R	2B3441R	2B3441R	2B3441R
	BRACKET, MOUNTING, OD ECM (NOT SHOWN)	—	—	2B2151R	2B2151R
3	DRAIN TUBE ASSY	663713R	663713R	663713R	663713R
4	PAN, DRAIN	669187R	669187R	669187R	669187R
5	P—TRAP, 1—1/2"	669211R	669211R	669211R	669211R
6	COVER, CONTROL PANEL	D02873BR	D02873BR	D02875BR	D02875BR
7	COVER, COMPRESSOR	D02893BR	D02893BR	D02895BR	D02895BR
8	CHANNEL, DRAIN	D03290R	D03290R	D03290R	D03290R
9	BOTTOM PAN ASSY.	D03430R	D03430R	D03430R	D03431R
10	RAIL, BASE	D03420R	D03420R	D03420R	2B4201R
11	DIVIDER PANEL ASSY.	D03443R	D03443R	D03445R	D03445R
12	ASSY, PANEL, REAR	D03465BR	D03465BR	D03469BR	D03469BR
13	BLOWER DIVIDER ASSY.	D03483R	D03483R	—	—
	ASSY, PANEL, BLOWER, DIVIDER	—	—	D03485R	D03485R
14	BLOWER PANEL ASSY.	D03523BR	D03523BR	—	—
	ASSY, PANEL, BLOWER COVER	—	—	D03525BR	D03525BR
15	TOP PAN ASSY. — LEFT	D03570BR	D03570BR	D03570BR	D03570BR
16	PANEL, CORNER	D04363BR	D04363BR	D04365BR	D04365BR
17	POST, CORNER	D09993BR	D09993BR	D09999BR	D09999BR
18	BLANKET, SOUND (NOT SHOWN)	689792R	689792R	689793R	689793R
19	PAINT, BRONZE, TOUCH UP	904038	904038	904038	904038
20	MTR, FAN, PSC	622080	621721R	—	—
	MTR, FAN, FTV	—	—	622022	622022
	MTR, CONTROLLER	—	—	622443R	622443R
21	FAN BLADE	667406R	667406R	667369R	667319R
22	GRILLE, TOP, 24", BLACK	669404R	669404R	669404R	—
	GRILLE, FAN, 24", BLACK	—	—	—	699335R
23	TOP PAN ASSY. —RIGHT	D07090BR	D07090BR	D07090BR	2B1911BR
24	PLATE, CLOSE—OFF, ELEC HT	226420R	226420R	226420R	226420R
25	FOOT, BLOWER	262970R	262970R	262970R	262970R
26	BLOWER HSG ASSY, 9/10X8	297212R	297212R	297212R	297212R
27	ARM, MOTOR MOUNT—11" B.C.	668928R	668928R	668928R	668928R
28	COVER, BOX	D03340R	D03340R	D03340R	D03340R
29	TRANSITION, BLOWER	D03350R	D03350R	D03350R	D03350R
30	MOTOR, PROG. 1/2HP ( 2 TON & 3 TON )	M0089501R	M0089502R	—	—
	MOTOR, PROG. 3/4HP ( 4 TON & 5 TON )	—	—	M0089503R	M0089504R
31	NUT, HEX, 8—32, DBL THICK, BLACK (NOT SHOWN)	606261R	606261R	606261R	606261R
32	MODULE, HAIL GUARD (NOT SHOWN)	917206	917206	917206	917206
33	BOLT, COMP, METAL, REVERSE — TAPER	600400R	600400R	600400R	600400R
34	COMP, COPE, ZPS20K5E—PFV—130, 2 TON	622653	—	—	—
	COMP, COPE, ZPS30K5E—PFV—130, 3 TON	—	622635	—	—
	COMP, COPE, ZPS40K5E—PFV—130, 4 TON	—	—	622606	—
	COMP, COPE, ZPS49K5E—PFV—130, 5 TON	—	—	—	622652

Please specify the correct Model No., Serial No., and part no(s) when ordering parts from the nearest authorized dealer or service center.

**PPA2RFXKA SERIES SINGLE PACKAGE AIR CONDITIONER  
208 / 230 V, SINGLE PHASE, 15 SEER MODELS**

ITEM	DESCRIPTION	PPA2RFX24KA	PPA2RFX36KA	PPA2RFX48KA	PPA2RFX60KA
		920880PA	920881PA	920882PA	920883PA
35	GROMMET, COMPRESSOR, SCROLL	668530R	668530R	668530R	668530R
36	COIL, OUTDOOR	2B3371R	2B3391R	2B3081R	2B1991R
37	CORE, CHARGING PORT	662103R	662103R	662103R	662103R
38	FITTING, ACCESS (NOT SHOWN)	663812R	663812R	663812R	663812R
39	CAP, SERVICE PORT, BRASS (NOT SHOWN)	663818R	663818R	663818R	663818R
40	CAP, SERVICE VALVE, R410A (NOT SHOWN)	664127R	664127R	664127R	664127R
41	PORT, HI FLOW, 3/8", R—410, A STYL	664329R	664329R	664329R	664329R
42	CORE, PORT, HI FLOW, BRASS (NOT SHOWN)	664331R	664331R	664331R	664331R
43	BRACKET, FILTER/DRIER (NOT SHOWN)	2A9351R	2A9351R	2A9351R	2A9351R
44	DRIER, FILTER, UNIFLW, 8 IN <sup>3</sup> , BLK	669764R	669764R	669764R	669764R
45	COIL, INDOOR	2B3381R	2B3411R	2A9661R	2A9661R
46	VALVE, TXV	669845R	669845R	669821R	669881R
47	DIVIDER, LOW VOLTAGE	263200R	263200R	263200R	263200R
48	PANEL, CONTROL	271793R	271793R	271795R	271795R
49	CAPAC, RUN 35/5/370	01-0083	—	—	—
	CAPAC, RUN 40/7.5/370	—	01-0269	—	—
	CAPAC, RUN 45/7.5/370	—	—	01-0082	—
	CAPAC, RUN 80/7.5/370	—	—	—	01-0292
50	CONTACTOR, 1 POLE 25A	621661R	621661R	—	—
	CONTACTOR, 1 POLE 35A	—	—	624828R	624828R
51	TRANSFORMER 30 VA	622338R	622338R	—	—
	TRANSFORMER 40 VA	—	—	621709R	621709R
52	RELAY, SPDT	621931R	621931R	621931R	621931R
53	TERMINAL BOARD, LV—7 PIN	632362R	632362R	632362R	632362R
54	SOW, P5RF, X13, 230V, 1PH, 2 TON & 3 TON (NOT SHOWN)	M0058412R	M0058412R	—	—
	SOW, P5RF, X13, 230V, 4 TON (NOT SHOWN)	—	—	M0058414R	—
	SOW, P5RF, X13, 230V, 5 TON (NOT SHOWN)	—	—	—	M0058415R
55	SWITCH, LOW PRESS (NOT SHOWN)	632393R	632393R	632393R	632393R
56	SWITCH, HIGH PRESSURE (NOT SHOWN)	632401R	632401R	632401R	632401R
57	PLUG, MOLDED, LV	634682R	634682R	634682R	634682R
58	PLUG, MOLDED, HV	634660R	634660R	634660R	634660R
59	DIST, BODY, 4CIR	663581R	—	—	—
	DIST, BODY, 5CIR	—	663582R	—	—
	DIST, BODY, 8CIR	—	—	663586R	663586R
60	GUARD, COIL	2A8154R	2A8154R	2A8156R	2B4831R
61	WHEEL, BLWR, CW 9 X 7.5	667294R	667294R	—	—
	WHEEL, BLOWER CW 10 X 8	—	—	667037R	667037R

Please specify the correct Model No., Serial No., and part no(s) when ordering parts from the nearest authorized dealer or service center.



Specifications & illustrations subject to change without notice or incurring obligations (11/17).  
 O'Fallon, MO, © Nortek Global HVAC LLC 2017. All Rights Reserved.

**709467D**  
 (Replaces 709467C)