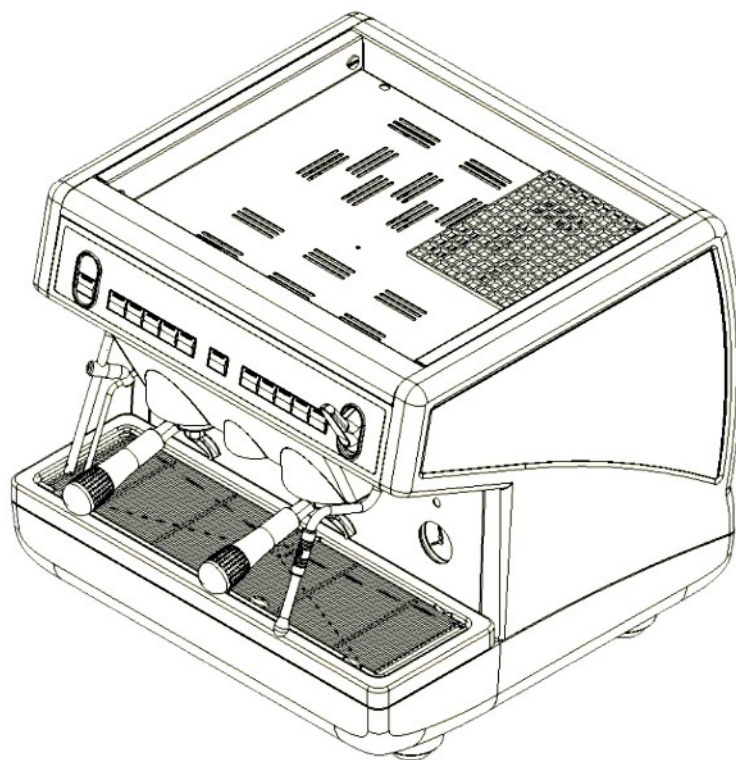


PRODOTTI / RICAMBI  
PRODUCTS / SPARE PARTS  
PRODUITS / PIECES DETACHEES  
PRODUKTE / ERSATZTEILE  
PRODUCTOS / REPUESTOS

*Appia*  
COMPACT

Esplosi: mod. "2GR compact"

01-03-2011



 nuova  
**SIMONELLI**®

# INDICE

- » **TAV 01 - COMPONENTI GRUPPO CARENA**  
CABINET PARTS
- » **TAV 02 - COMPONENTI GRUPPO INVOLUCRO COMANDI**  
CONTROL PANEL PARTS
- » **TAV 04 - COMPONENTI GRUPPO EROGAZIONE**  
POURING UNIT GROUP PARTS
- » **TAV 05 - COMPONENTI IDRAULICI**  
HYDRAULIC PARTS
- » **TAV 06 - COMPONENTI RUBINETTI VAPORE E ACQUA CALDA**  
STEAM & HOT WATER VALVES PARTS
- » **TAV 07 - COMPONENTI AUTOSTEAM**  
AUTOSTEAM PARTS
- » **TAV 08 - COMPONENTI GRUPPO IDRAULICO**  
HYDRAULIC GROUP PARTS
- » **TAV 09 - COMPONENTI CALDAIA**  
BOILER PARTS
- » **TAV 10 - COMPONENTI TELAIO**  
FRAME PARTS
- » **TAV 11 - COMPONENTI ELETTRICI ED ELETTRONICI**  
ELECTRONIC & ELECTRIC PARTS

## » LEGENDA :

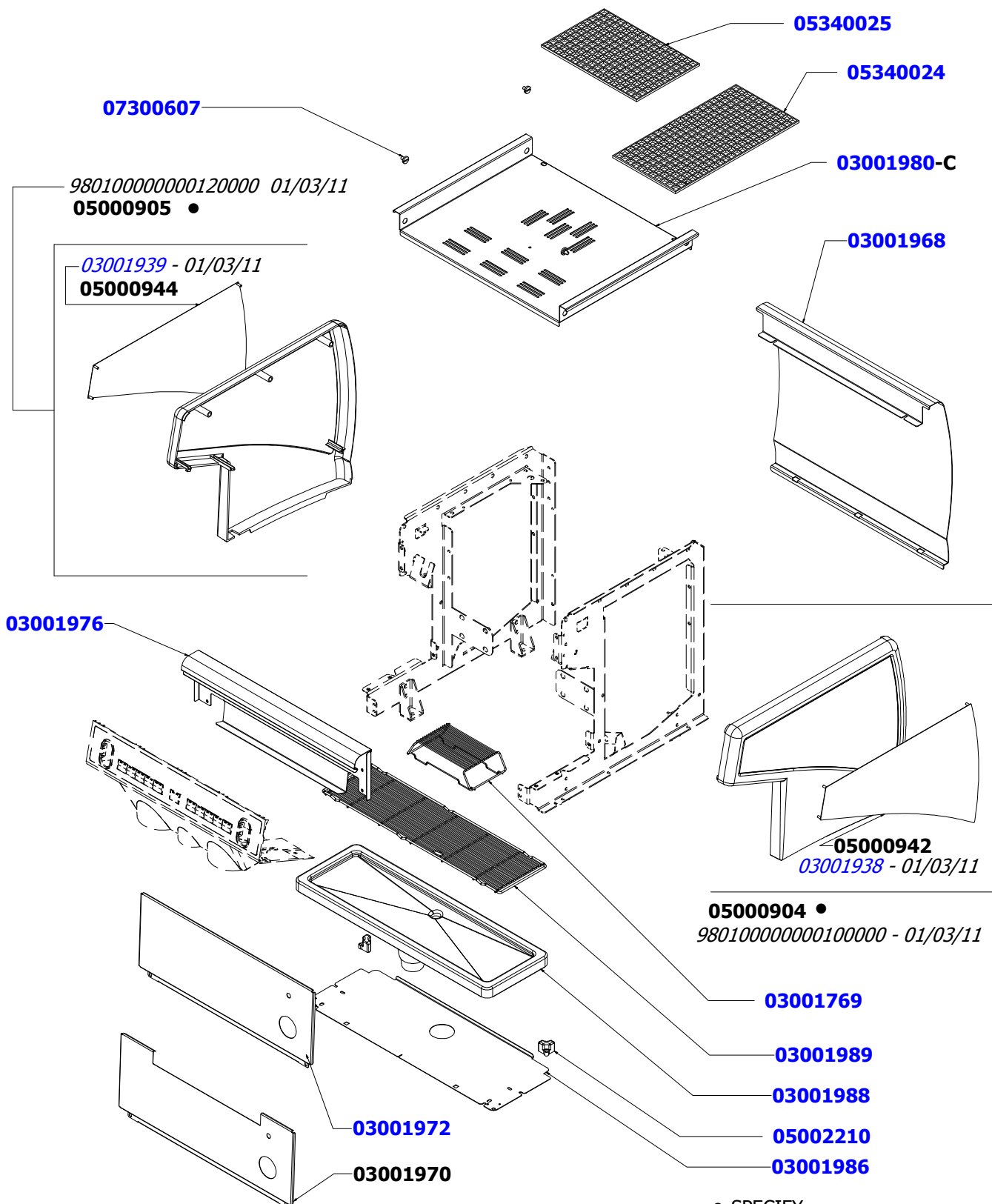
I CODICI SCRITTI IN GRASSETTO SI RIFERISCONO AI COMPONENTI IMPIEGATI ATTUALMENTE.

I CODICI IMPIEGATI PRIMA SONO SCRITTI IN CORSIVO CON INDICATA A FIANCO LA DATA DI FINE VALIDITA'.

ESEMPIO:

**07300127** (*φ2.5*) - 16/05/2007  
**07300226** (*φ2*)

# COMPONENTI GRUPPO CARENA CABINET PARTS



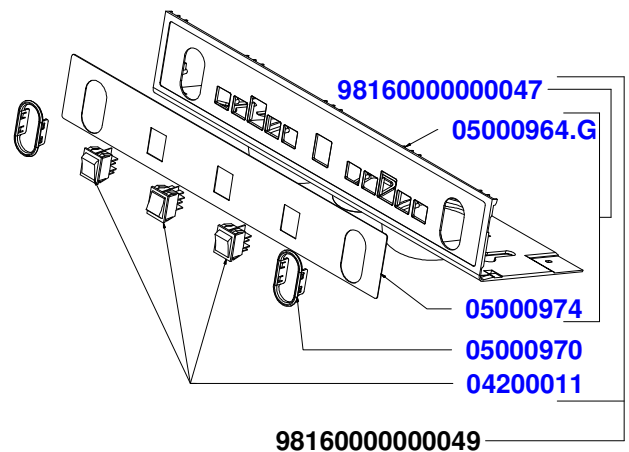
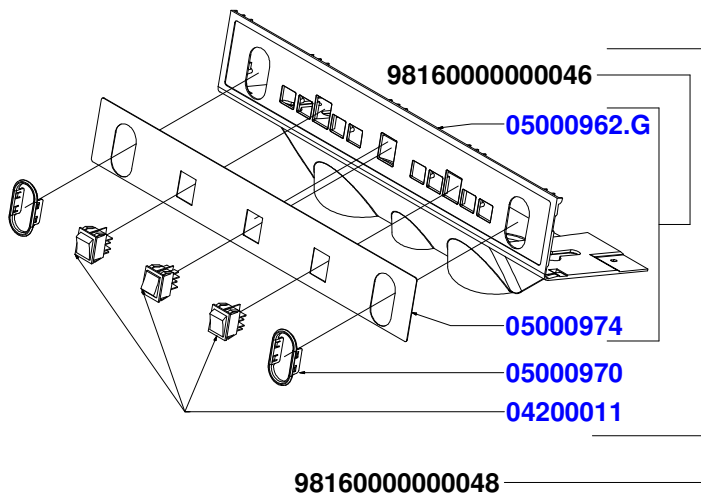
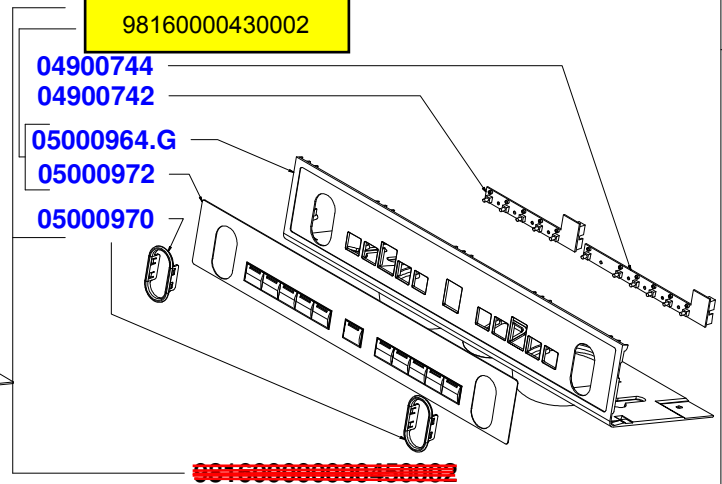
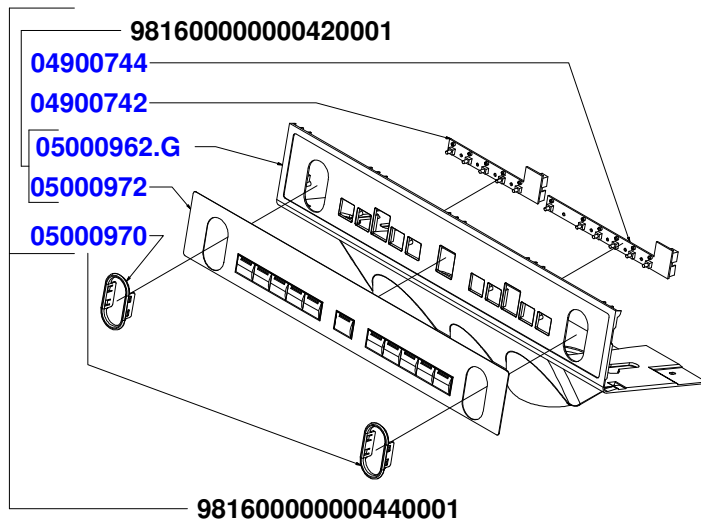
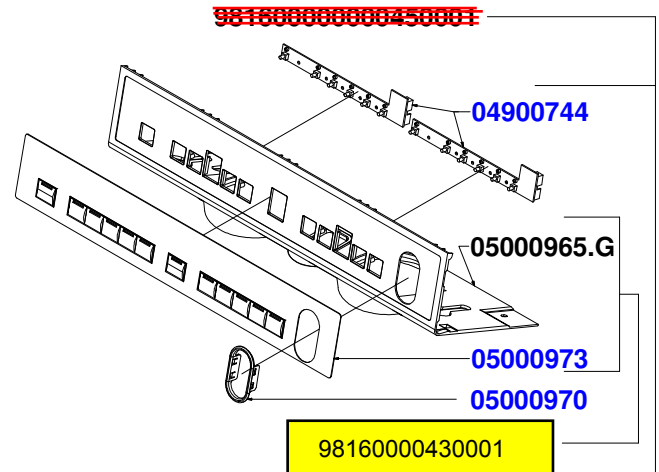
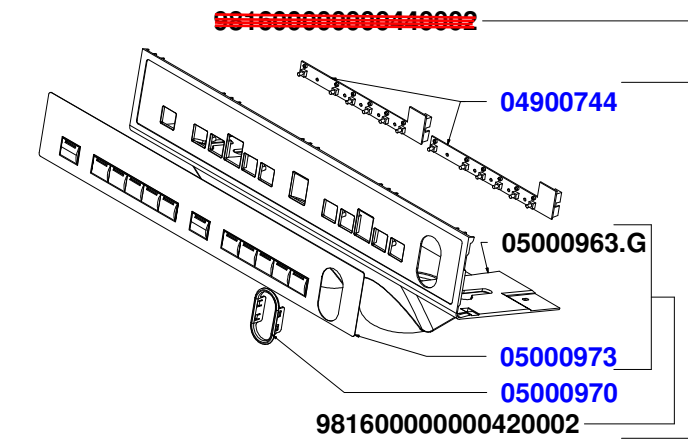
● SPECIFICARE  
VERSIONE:  
NERO  
ROSSO  
GRIGIO  
NERO CON ADESIVO  
ROSSO CON ADESIVO  
GRIGIO CON ADESIVO  
ARANCIO  
INOX-NERO  
INOX-ARANCIO  
INOX-ROSSO  
INOX-GRIGIO

● SPECIFY  
VERSION:  
BLACK  
RED  
GREY  
BLACK ADHESIVE  
RED ADHESIVE  
GREY ADHESIVE  
ORANGE 01/01/2010  
INOX-BLACK 01/03/2011  
INOX-ORANGE 01/03/2011  
INOX-RED 01/03/2011  
INOX-GREY 01/03/2011

# COMPONENTI GRUPPO INVOLUCRO COMANDI CONTROL PANEL PARTS

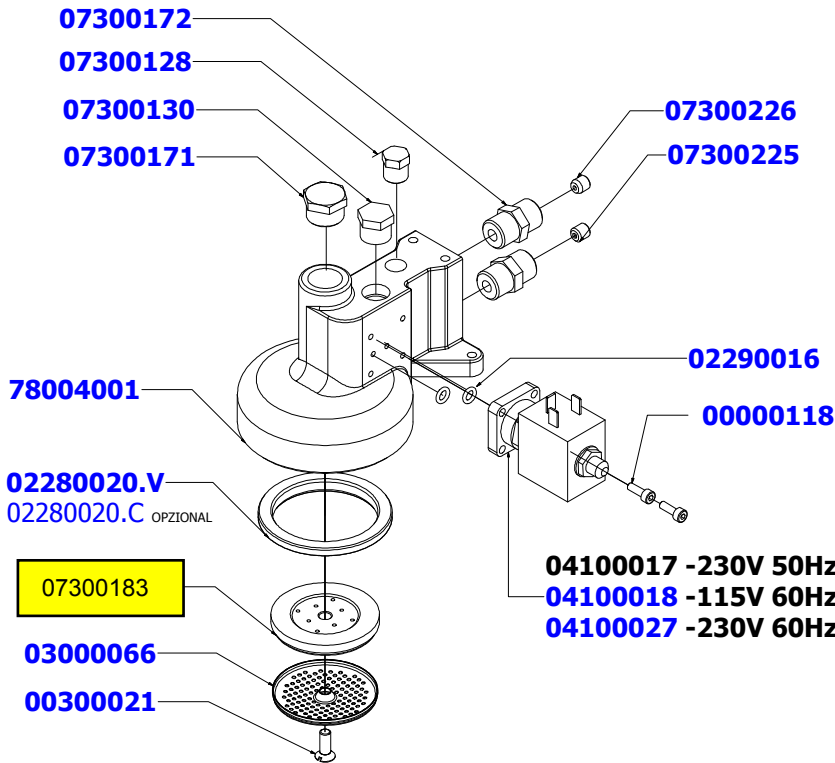
A  
P  
P  
I  
A  
  
C  
O  
M  
P  
A  
C  
T

CON AUTOSTEAM

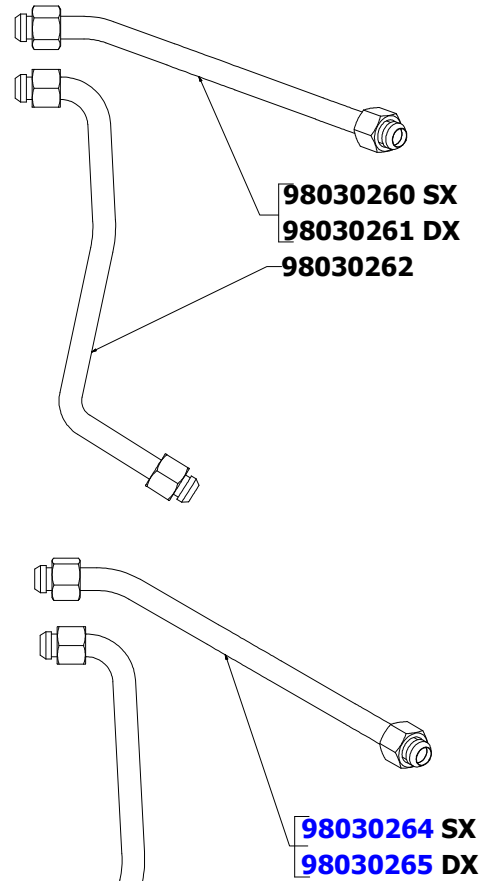


# COMPONENTI GRUPPO EROGAZIONE POURING UNIT GROUP PARTS

## GRUPPO EROGAZIONE SX

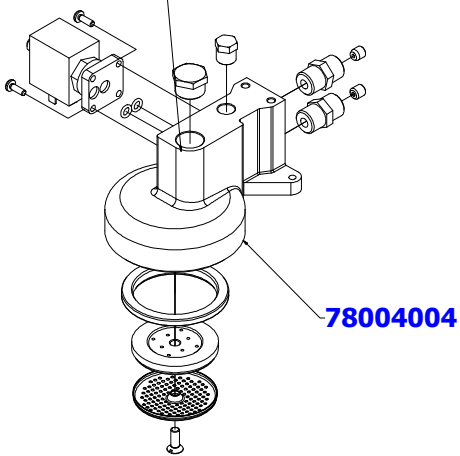


98040000000020004 (110v) Complete Left Group  
98040000000020003 (220v) Complete Left Group

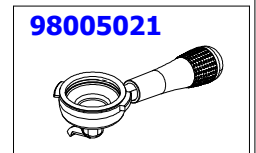
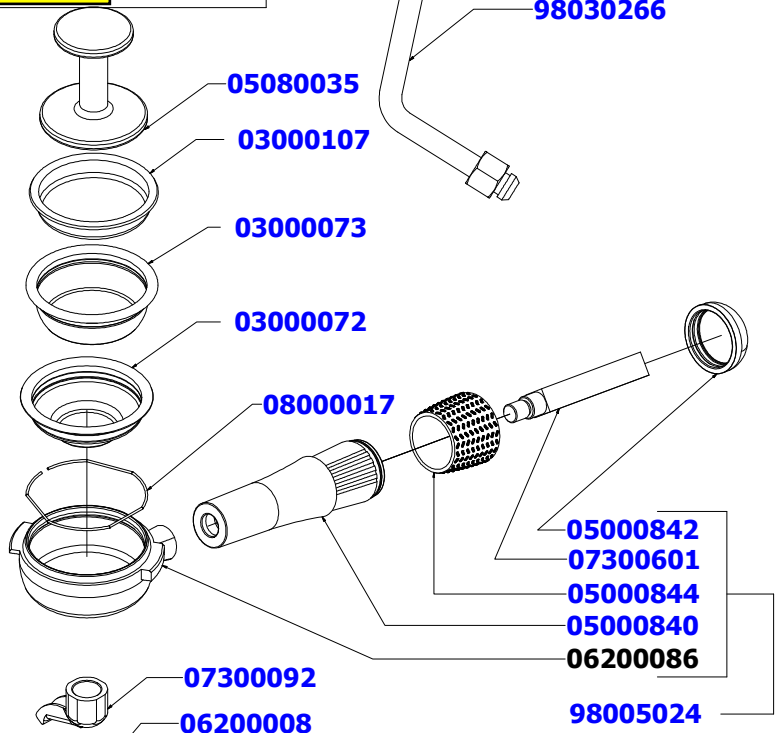


## GRUPPO EROGAZIONE DX

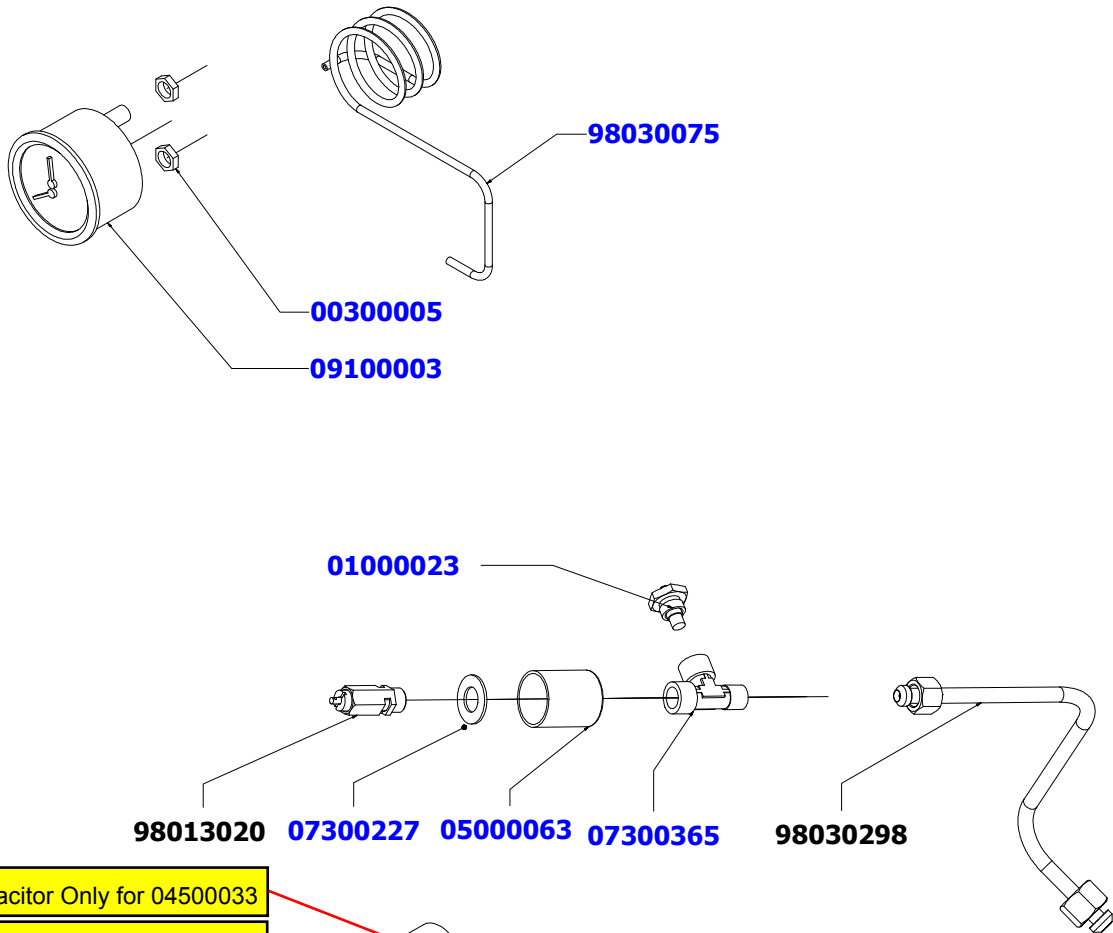
ASSENTE: 07300130



98040000000030002 (110v) Complete Right Group  
98040000000020003 (220v) Complete Right Group



# COMPONENTI IDRAULICI HYDRAULIC PARTS



04000010 Capacitor Only for 04500033

04000011 Capacitor Only for 04500037

07300017

01300004

04500033 - 230 V  
04500037 - 115 V

07300361

07300365

07300068

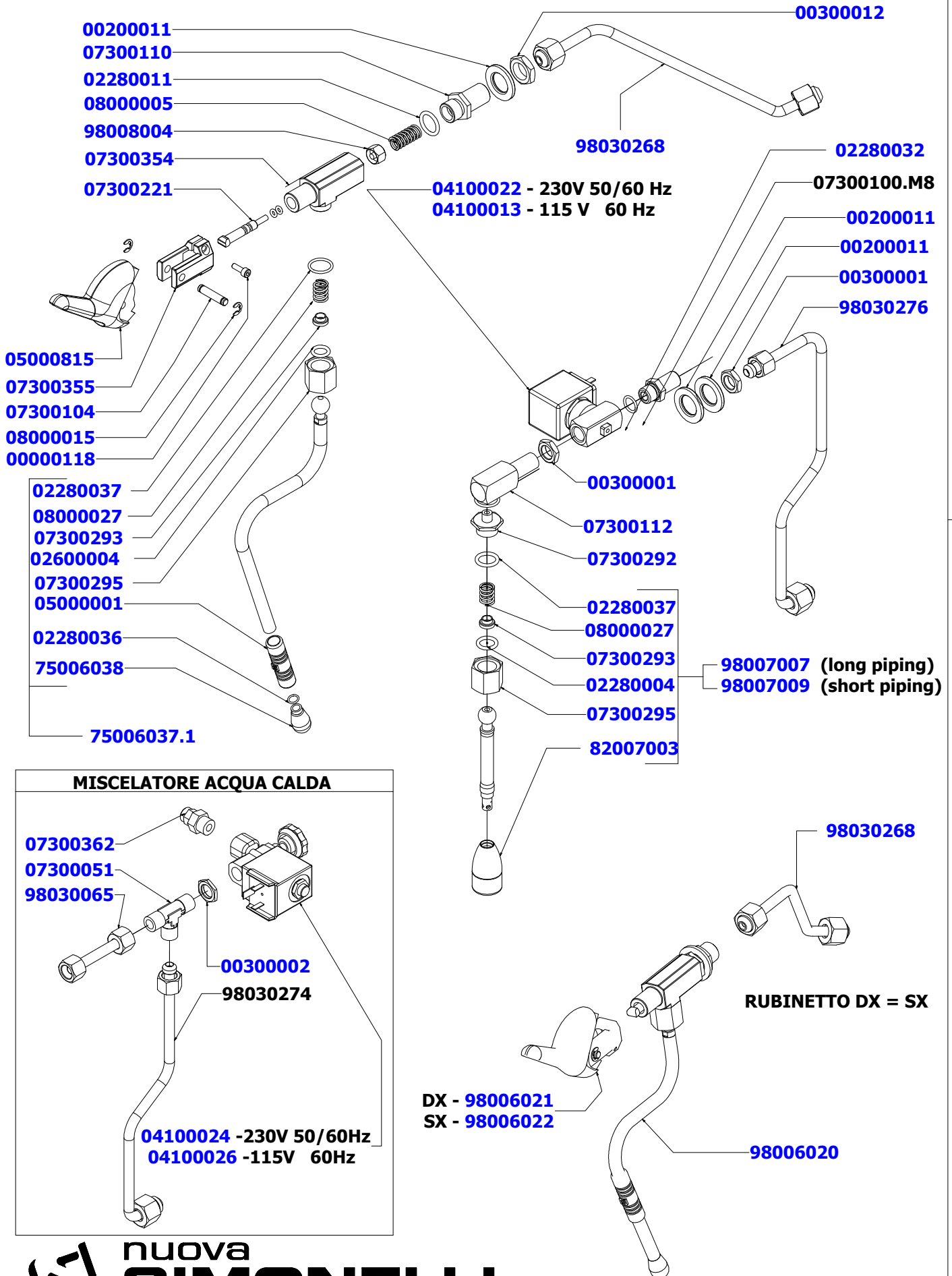
00300013

09000016

00300013

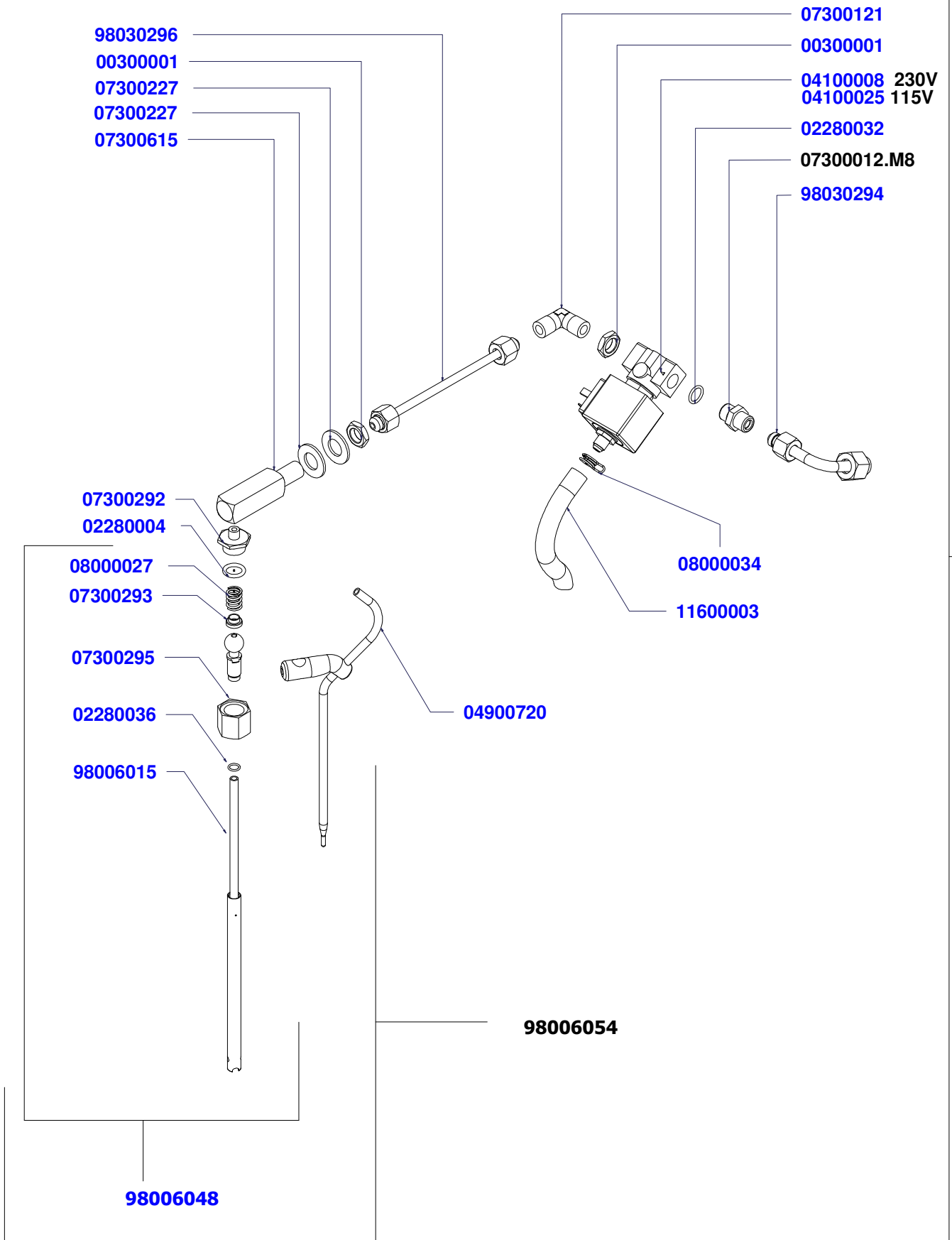
# COMPONENTI RUBINETTI VAPORE E ACQUA CALDA STEAM & HOT WATER VALVES PARTS

A  
P  
P  
I  
A  
  
C  
O  
M  
P  
A  
C  
T



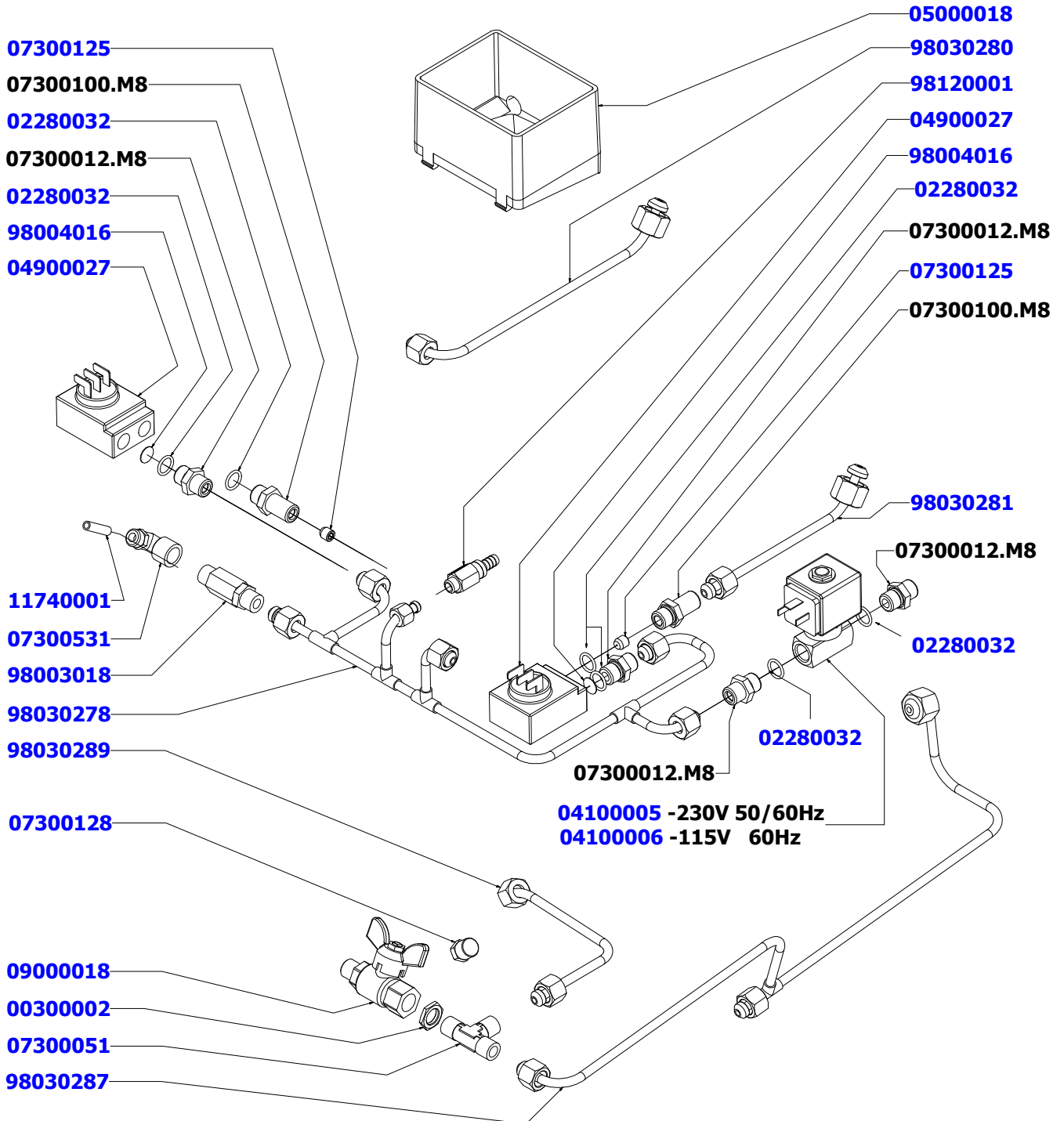
# COMPONENTI AUTOSTEAM AUTOSTEAM PARTS

A  
P  
P  
I  
A  
  
C  
O  
M  
P  
A  
C  
T

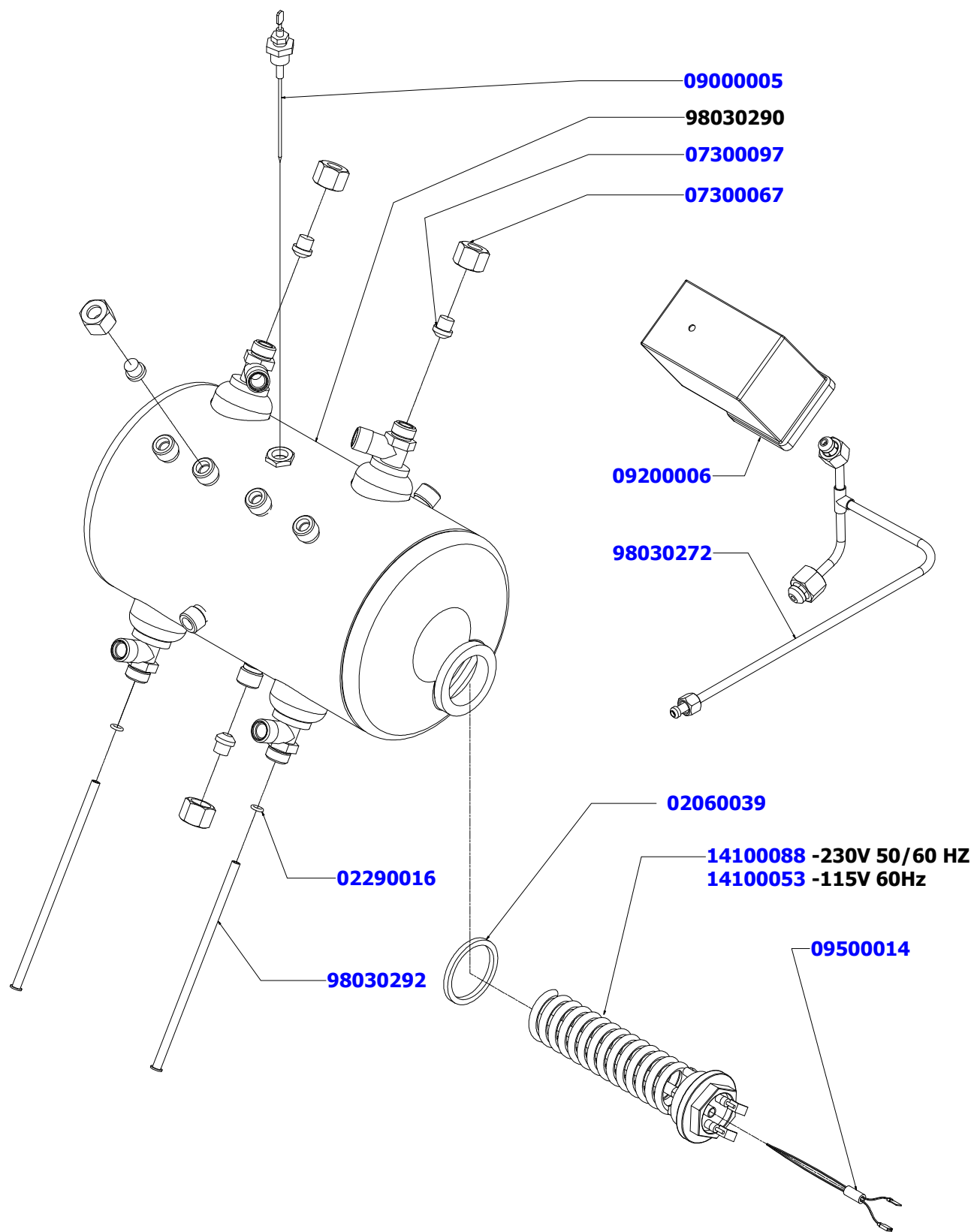


# COMPONENTI GRUPPO IDRAULICO HYDRAULIC GROUP PARTS

A  
P  
P  
I  
A  
  
C  
O  
M  
P  
A  
C  
T

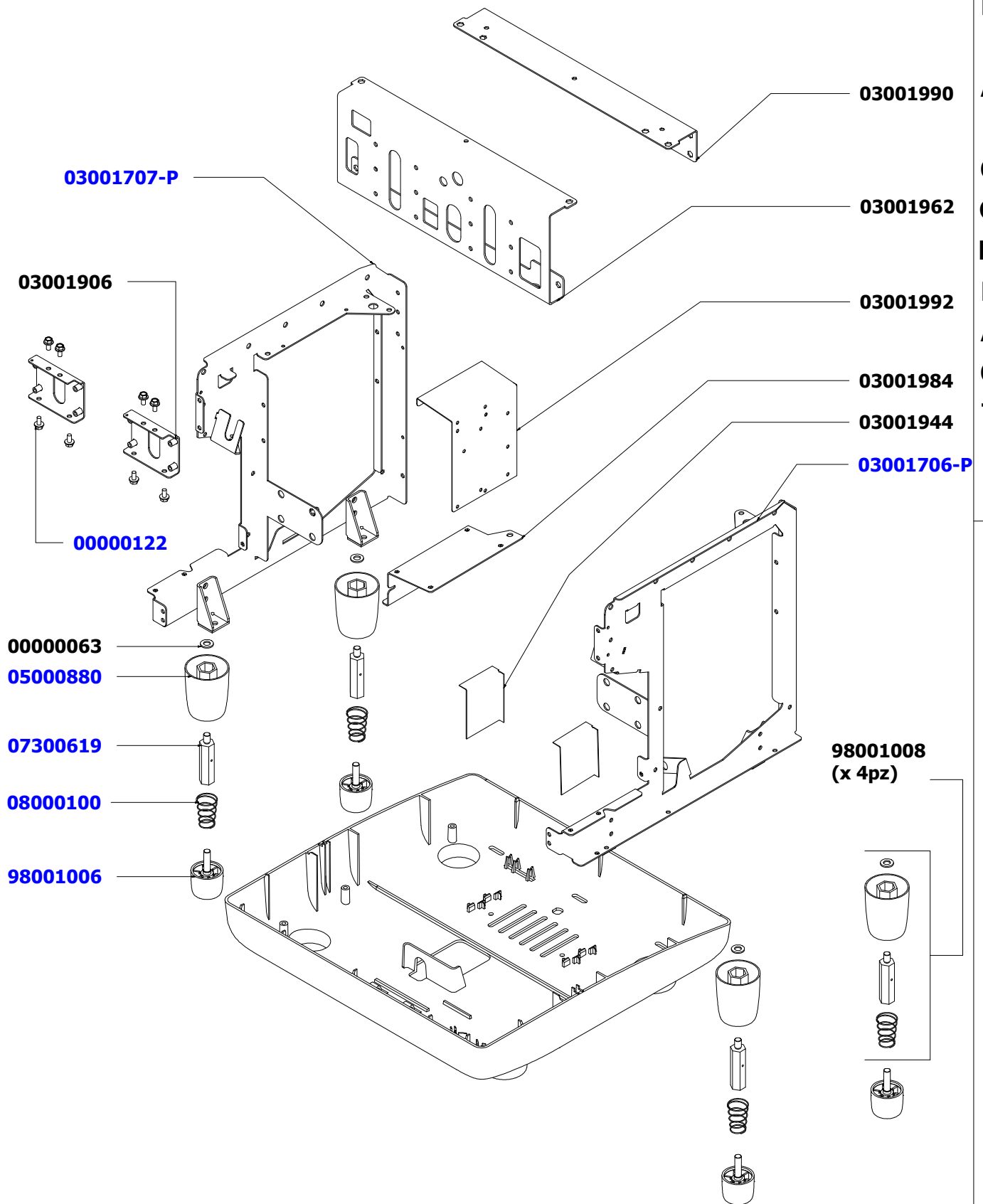


# COMPONENTI GRUPPO CALDAIA BOILER PARTS



# COMPONENTI TELAIO FRAME PARTS

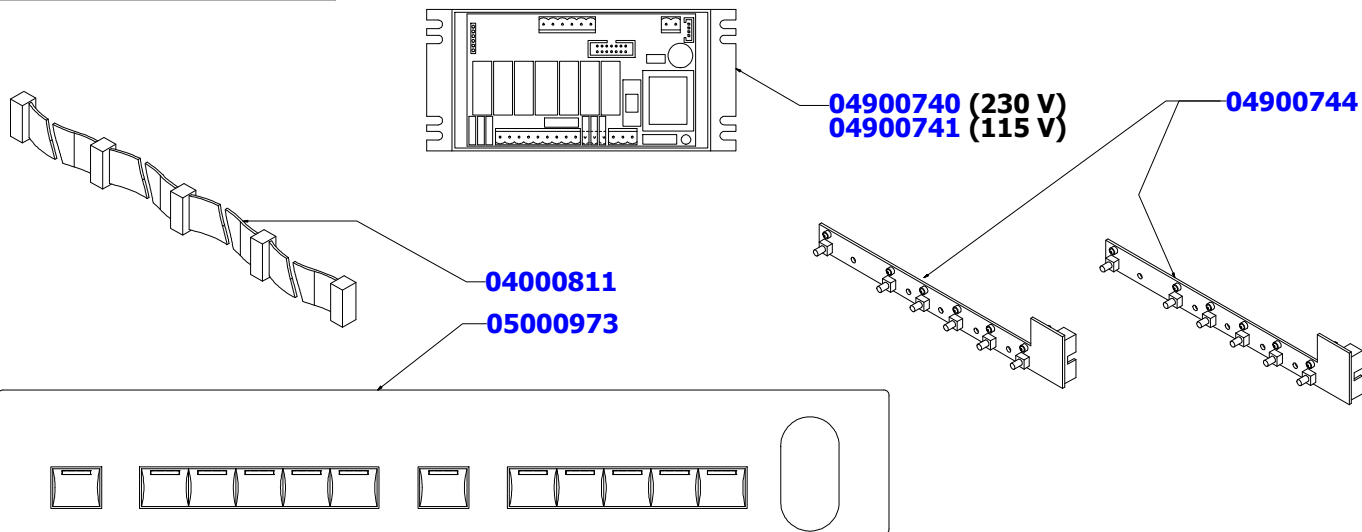
A  
P  
P  
I  
A  
  
C  
O  
M  
P  
A  
C  
T



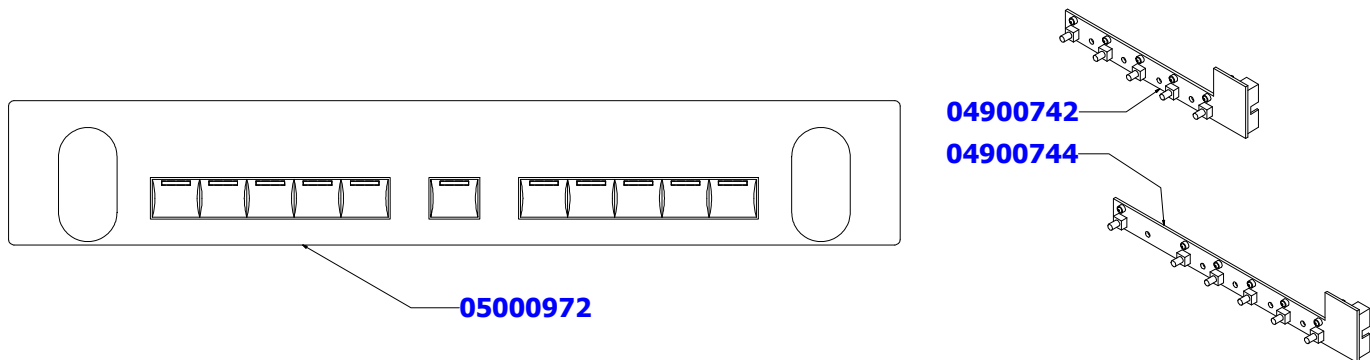
# COMPONENTI ELETTRICI ED ELETTRONICI ELECTRONIC & ELECTRIC PARTS

A  
P  
P  
I  
A  
  
C  
O  
M  
P  
A  
C  
T

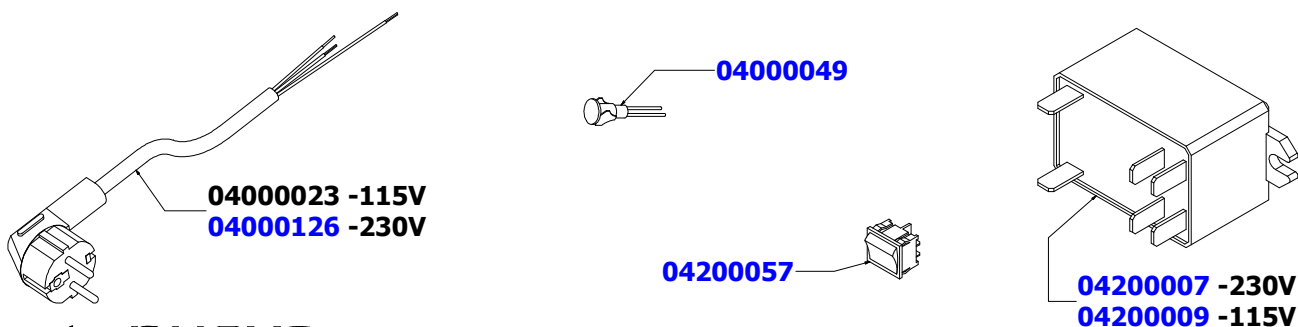
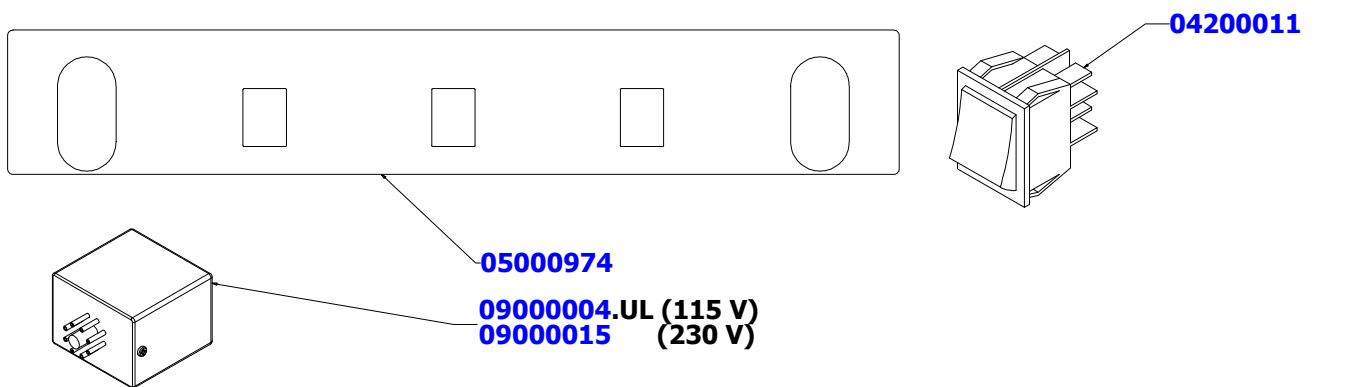
## VOLUM. CON AUTO-STEAM



## VOLUMETRICA



## SEMI AUTOMATICA



CODICE	DESCRIZIONE	DESCRIPTION	DATA FINE VALIDITA'
00000118	VITE INOX M4X12 BRUGOLA 5931	SS HEX SOCKET CAP SCREW M4x12	
0000063	RONDELLA AQ D 10X21X2 ZN	WASHER AQ D 10X21X2 ZN	
00000122	VITE 8.8 M6x12 TE FLAN. ZIGRI.ZINC. BIANCO	GALV. FLANGED KNURLED HEX CAP SCREW 8.8 M6x12	
00200011	RONDELLA ZINC M16 17X30X3	GALVANISED WASHER M16 17x30x3	
00300001	DADO OT 1/4 GAS SPESSORE 5	BRASS NUT 1/4 GAS SPESSOR 5	
00300002	DADO OT 1/4 SPESS.3	BRASS NUT 1/4 SPESSOR 3	
00300005	DADO OT 1/8 GAS SPESSORE 4	BRASS NUT 1/8 GAS SPESSOR 4	
00300012	DADO OT 3/8 GAS ES 22 SPES 6	BRASS NUT 3/8 GAS SPESSOR 6 HEX 22	
00300013	DADO OT 3/8 GAS SPESS.4 mm	BRASS NUT 3/8 GAS SPESSOR 4	
00300021	VITE INOX M6X18 TSP TC DIN963	SS SLOTTED COUNTERSUNK SCREW M6X18 DIN963	
01000023	VALVOLINA SFIATO	ANTI VACUUM VALVE	
01300004	POMPANTE VOLUMETRICO 50 lt/h	VOLUMETRIC PUMP 50 lt/h	
02060039	GUARNIZIONE TEFLON 50x42x4 x TAPPO DA 1"1/4"	TEFLON GASKET 50X42X4 X PLUG 1"1/4"	
02280011	GUARN. OR R11 D19 EP 851	GASKET O RING R11 D19 EP 851	
02280020.C	GUARNIZ.SOTTOCOPPA TIPO C 82/84 ShA (OPZIONAL)	GROUP GASKET (OPTIONAL)	
02280020.V	GUARNIZ. SOTTOCOPPA CONICA h8,2 V-NBR 82/84 ShA	GROUP GASKET CONICAL	
02280004	GUARN. OR 115 D.17 EP856 SNODO LANCIA	GASKET OR 115 D17 EP851 x SWIVEL STEAM PIPE	
02280032	GUARN. OR 114 D.15 EP 851	GASKET O RING 114 D.15 EP 851	
02280036	GUARN. OR x BECCO LANCIA VAP.	GASKET OR x STEAM WAND NOZZLE	
02280037	GUARN. OR CHIUSURA SNODO 16x2	GASKET OR JOINT LOCK 16x2	
02290016	GUARN. OR D 9,5 R5 SILICONE R.	GASKET OR D 9,5 R5 SILICON RED	
02600004	GUARN. OR 15,2x10,2x2,5 TEFLON	15.2x10.2x2.5 TEFLON O-RING SEAL	
03000066	DOCCIA INOX 056X05,5X6	SHOWER INOX 056X05,5X6	
03000072	FILTRO 1 CAFFE' ALTO 7 gr.	FILTER ONE COFFEE HIGH	
03000073	FILTRO 2 CAFFE' ALTO 14 gr.	FILTER TWO COFFEE HIGH	
03000107	FILTRO CIECO	BLIND FILTER	
03001706-P	FIANCO DX TELAIO CON RINFORZO PIEDE SALDATO	RIGHT SIDE FRAME WITH WELDED FOOT REINFORC.	
03001707-P	FIANCO SX TELAIO CON RINFORZO PIEDE SALDATO	LEFT SIDE FRAME WITH WELDED FOOT REINFORC.	
03001769	SUPP. TAZZINE	AURELIA RAISED CUP STAND	
03001906	STAFFA C SUPPORTO GRUPPO APPIA	STIRRUP C GROUP SUPPORT APPIA	
03001938	INSERTO INOX FIANCO DX APPIA	RIGHT SIDE INSERTION APPIA STAINLESS	01/03/2011
03001939	INSERTO INOX FIANCO SX APPIA	LEFT SIDE INSERTION APPIA STAINLESS	01/03/2011
03001944	LAMIERA SUPPORTO CALDAIA APPIA	BOILER SUPPORT PLATE APPIA	
03001962	PARETE PORTAGRUPPI 2 GRUPPI APPIA COMPACT	GROUP HOLDER WALL 2 GR. APPIA COMPACT	
03001968	CARENA RETRO INOX 2 GRUPPI APPIA COMPACT	APPIA COMPACT SS BACK PANEL	
03001970	LAMIERA FRONTALE 2 GRUPPI APPIA COMPACT	FRONT PLATE 2 LOW GR. APPIA COMPACT	
03001972	LAMIERA FRONTALE 2 GR. ALTI APPIA COMPACT	FRONT PLATE 2 HIGH GR. APPIA COMPACT	
03001976	INVOLUCRO COMANDI 2 GRUPPI APPIA COMPACT	CONTROL WRAPPING 2 GR APPIA COMPACT	
03001980-C	RETINA PORTATAZZE 2 GRUPPI APPIA COMPACT	CUPS HOLDER NET TRAY APPIA COMPACT 2 GR.	
03001984	SUPPORTO POMPA APPIA COMPACT	PUMP SUPPORT APPIA COMPACT	
03001986	CHIUSURA SICUREZZA 2 GRUPPI APPIA COMPACT	SAFETY LOCK 2 GROUPS APPIA COMPACT	
03001988	PIATTO RACCOGLIACQUA APPIA COMPACT	DRIP TRAY APPIA COMPACT	
03001989	RETINA PIANO LAVORO 2 GR.APPIACOMPACT	WORKTOP NET 2 GR.APPIA COMPACT	
03001990	LAMIERA L SUP. POSTERIORE 2GR APPIA COMPACT	UPPER L PLATE BACK 2GR APPIA COMPACT	
03001992	SUPPORTO CENTRALINA APPIA C.	SWITCHBOARD SUPPORT APPIA C.	
04000023	CAVO ALIM. UL AWG3x16 SJO SPINA USA 90°C	SUPPLY CABLE UL AWG3X16 USA PLUG SHEATH 90°C	
04000049	LAMPADA SPIA D10 230V UL	LAMP D10 230V UL	
04000126	CAVO ELETTR. 2mt CE SCHUKO 90° 3x1,5 H05VV-F	ELECTRIC CABLE 2MT CE SCHUKO PLUG 90° 3X1,5	
04000811	CAVO 14 VIE COLL.PULSANTIERA	CABLE 14 VAYS TOUCH PAD APPIA COMPACT	
04100005	E.V. NC 2VIE 1/4-1/4 220-230V 50/60Hz EPDM F2 CE	ELECTROV.2 WAYS 230V50-60 1/4	
04100006	E.V. NC 2VIE 1/4-1/4 110-120V 60Hz EPDM F2 UL	E.V. NC 2WAYS 1/4-1/4 110-120V 60HZ F2 UL	
04100008	E.V. NC 3VIE 1/4-1/4 SCAR. 1/8 RUBY F3 UL	EV 3W 1/4-1/4 DRAIN 1/8 D3 UL	
04100013	E.V. NC 2VIE 1/4-1/4 110-120V 60Hz VITON F1.5 UL	ELECTROVALVE 2 WAYS 110V	
04100017	E.V. NC 3VIE BAS. SCAR. 1/8 230V RUBY F1.5 CE	EV 3W DOWNL.1/8 220-230V 50/60HZ RUBY F1,5 CE	
04100018	E.V. NC 3VIE BAS. SCAR. 1/8 110V 60Hz RUBY F1.6 UL	ELECTROVALVE 3 WAYS 110 UL	
04100022	E.V. NC 2VIE 1/4-1/4 220-230V 50/60Hz RUBINO F3 CE	2 WAYS SOLENOID 1/4 F.3 220/230V 50/60Hz	
04100024	E.V. NC 2VIE 1/4 REGOLAT. 90° 230V EPDM F3 CE	2 WAYS EV WITH REGULATOR	
04100025	E.V. NC 3VIE 1/4-1/4 SCAR. 1/8 110-120V RUBY F3 UL	E.V. 3WAYS 1/4-1/4 1/8 110-120V 50/60HZ F3 UL	
04100026	E.V. NC 2VIE 1/4 REGOLAT. 90° 115V 60Hz EPDM F3 UL	E.V. NC 2WAYS 1/4 REG. 90° 115V 60HZ F3 UL	
04100027	E.V. NC 3VIE BAS. SCAR. 1/8 230V 60Hz RUBY F1.3 UL	EV 3W DRAIN 1/8 208-240V 60HZ RUBY D1,3 UL	
04200007	RELE' DI POTENZA 30A 230 V BIPOLARE	POWER RELAY 30A 230 V BIPOLAR	
04200009	RELE' DI POTENZA 30A 115 V BIPOLARE	POWER RELAY 30A 115 V BIPOLAR	
04200011	INTERRUTTORE LUMINOSO ROSSO RETTANGOLARE	BIPOLAR LUMINOUS SWITCH	
04200057	INTERRUT. ACCENSIONE GRANDE 10A UL 22x19	ON/OFF SWITCH 10A UL 22x19	
04500033	MOTORE EL. 230V 50/60Hz 120W	PUMP MOTOR MASTER/PREMIER 2001 230V 50/60Hz	
04500037	MOTORE ELETTRICO 115V APPIA 1GR. 100W	ELECTRIC MOTOR 115V	
04900027	DOSATORE VOLUMETRICO OTT.	FLOWMETER	
04900720	SONDA PT1000 x LANCIA VAPORE "TURBO CREAM"	PROBE PT 1000 FOR TURBO CREAM STEAM WAND	
04900740	CENTRALINA ELETTR. 2 GR. APPIACOMPACT 230V	CONTROL BOARD APPIA COMPACT 230 V 2 GR.	
04900741	CENTRALINA ELETTR. 2 GR. APPIACOMPACT 115V	ELECTR. SWITCHBOARD 2 GR. APPIA COMPACT 115V	
04900742	SCHEDA EROG. GRUPPO 1 APPIA COMPACT	BREWING GROUP 1 CARD	
04900744	SCHEDA EROG. GRUPPO 2 +ACQUA CALDA	BREWING GROUP 2 CARD + HOT WATER APPIA COMP.	
05000001	GOMMINO PROTEZIONE LANCIA D.10	STEAM ARM RUBBER GRIP	
05000018	VASCHETTA SCARICO	DRAIN BOX	
05000063	COPRI VALVOLA SICUREZZA	SAFETY VALVE COVER	

A P P I A C O M P A C T

CODICE	DESCRIZIONE	DESCRIPTION	DATA FINE VALIDITA'
05000815	MANOPOLA VAPORE	STEAM LEVER HANDLE	A P P I A  C O M P A C T
05000840	MANOPOLA PORTAFILTRO 2003 NERO	FILTER HOLDER KNOB 2003 BLACK	
05000842	CHIUSURA MANOPOLA PORTAFILTRO 2003	FILTER HOLDER KNOB LOCK 2003	
05000844	RIVESTIMENTO GOMMA NERA MANOPOLA	BLACK RUBBER COVER FILTER HOLDER KNOB	
05000880	PROLUNGA PIEDE ALTO 2005 D.66 H=80 mm.	TALL FOOT EXTENSION D.66 H=80 MM.	
05000904.G	FIANCATA DX APPIA COL. GRIGIO	RIGHT SIDE APPIA GREY	
05000904.GR	FIANCATA DX APPIA COL. GRIGIO CON ADESIVO SFUMATO	RIGHT SIDE PANEL GREY + ADHESIVE DECAL - APPIA	
05000904.N	FIANCATA DX APPIA COL. NERO	APPIA RIGHT SIDE PANEL BLACK	
05000904.NR	FIANCATA DX APPIA COL. NERO CON ADESIVO SFUMATO	RIGHT SIDE PANEL BLACK + ADHESIVE DECAL - APPIA	
05000904.R	FIANCATA DX APPIA COL. ROSSO	SIDE PANEL APPIA RED	
05000905.G	FIANCATA SX APPIA COL. GRIGIO	LEFT SIDE APPIA GREY	
05000905.GR	FIANCATA SX APPIA COL. GRIGIO CON ADESIVO SFUMATO	LEFT SIDE PANEL GREY + ADHESIVE DECAL - APPIA	
05000905.N	FIANCATA SX APPIA COL. NERO	APPIA LEFT SIDE PANEL BLACK	
05000905.NR	FIANCATA SX APPIA COL. NERO CON ADESIVO SFUMATO	LEFT SIDE PANEL BLACK + ADHESIVE DECAL - APPIA	
05000905.R	FIANCATA SX APPIA COL. ROSSO	LEFT SIDE APPIA RED	
05000942	ADESIVO SFUMATO FIANCO DX APPIA	ADHESIVE DECAL FOR RIGHT SIDE PANEL APPIA	
05000944	ADESIVO SFUMATO FIANCO SX APPIA	ADHESIVE DECAL FOR LEFT SIDE PANEL APPIA	
05000952	BASAMENTO 2 GR. APPIA COMPACT	BASE 2 GR. APPIA COMPACT	
05000962.G	PULSANT-COPRIGR. GRIGIO STEEL APPIA COMPACT	PUSH-BUTT GR.COVER 2 LOW GR APPIA COMP. GREY	
05000963.G	PULSANT-COPRIGR. GRIGIO STEEL APPIA COMPACT	PUSH-BUTT GR.COVER 2L GR APPIA C+AUTOST. GREY	
05000964.G	PULSANT-COPRIGR. GRIGIO STEEL APPIA COMPACT	PUSH-BUTT GR.COVER 2HIGH GR APPIA COMP. GREY	
05000965.G	PULSANT-COPRIGR. GRIGIO STEEL APPIA COMPACT	PUSH-BUTT GR.COVER 2H GR APPIA C+AUTOST. GREY	
05000970	MOSTRINA PULSANTIERA APPIA COMPACT NERO	FRAME PUSH-BUTTON PANEL APPIA COMPACT BLACK	
05000972	PELLICOLA PULSANTIERA APPIA COMPACT V2	PUSH-BUTTON PANEL FILM APPIA C. VOL 2GR	
05000973	PELLICOLA PULSANTIERA V2 +AUTOSTEAM	PUSH-BUTTON PANEL FILM APPIA C. V2+AUTOSTEAM	
05000974	PELLICOLA PULSANTIERA APPIA COMPACT S2	PUSH-BUTTON PANEL FILM APPIA C. SEM 2GR	
05002210	SUPPORTO ANGOLARE PIATTO RACCOGLIACQUA	FLAT ANGULAR WATER TRAY SUPPORT ADONIS	
05080035	PRESSA CAFFE' ABS MEL	PLASTIC COFFEE PRESS	
05340024	GRIGLIA NYLON 178x350	NYLON GRILL 178X350	
05340025	GRIGLIA NYLON 178x270	NYLON GRILL 178X270	
06200008	BECCO DUE VIE	TWO WAYS SPOUT	
06200086	CORPO PORTAF. INCLINATO 2003	TILTED FILTER HOLDER BODY 2003	
07300012.M8	RACC. 1/4 1/4 GAS CON OR F.M8	CONNECTION 1/4 1/4 W/OR HOLE M8	
07300017	RACCORDO 1/4 3/8 GAS OT.	FITTING 1/4 3/8 GAS OT.	
07300051	RACCORDO T 1/4 M-M CILIN 464	CONNECTION T 1/4 M-M CILIN 464	
07300067	DADO RACCORDO 3/8 GAS D11	NUT CONNECTION 3/8 GAS D11	
07300068	RACCORDO L 3/8 M-M CILIN 459	CONNECTION L 3/8 M-M CILIN 459	
07300092	BECCO UNA VIA CURVO	SINGLE SPOUT	
07300097	TERMINALE CHIUSO D 14	TERMINAL D.14	
07300100.M8	ATTACCO SCARICO 1/4 VAS. SCAR.CON OR+INT. M8	DOWNLOAD FASTENING 1/4 DOWNLOAD TRAY WITH OR	
07300104	SPINOTTO RUB.VAPORE PR.	VALVE SHAFT VALVE SHAFT	
07300110	TAPPO PORTA MOLLA R.V. PR.	SPRING HOLDER TAP	
07300112	ATTACCO RUB. ACQUA PROGRAM	FASTENING WATER PROGRAM TAP	
07300121	RACCORDO L 1/4 M-M CILIN 459	CONNECTION L 1/4 M-M CILIN. 459	
07300125	GIGLER M8X8 F.0.8 AG.28.05.93*	GIGLEUR M8X8 F.0.8	
07300128	TAPPO 1/4 GAS	CAP 1/4 GAS	
07300130	TAPPO 3/8" GAS ES 17 <	PLUG 3/8" GAS ES 17	
07300171	TAPPO OT M20X1,5 GR. EROG.	TAPPO OT M20X1,5 GR. EROG. CAP	
07300172	RACCORDO 3/8"M-3/8"M INT M8	PIPE FITTING 3/8"M-3/8"M INT M8	
07300183.5	PADIGLIONE GRUPPO PREMIER2002 h=5	DIFFUSER h=5	
07300221	ASTA INOX RUBINETTO VAP. PRO97	STEAM VALVE INOX SCREW	
07300225	GIGLER M8X8 F.3 AG.28.05.93	GIGLEUR M8X8 F.3	
07300226	GIGLER M8X8 F.2	GIGLEUR M8X8 F.2	
07300227	RONDELLA OTT. D.26x13,5x1,5	BRASS WASHER D.26X13,5X1,5	
07300292	ATTACCO RUBINETTO X LANCIA VAP. SNODATA INOX	TAP FASTENING FOR FLEX. STAINLESS STEAM WAND	
07300293	BUSSOLA SNODO OT.	BRASS BUSHING	
07300295	DADO RACC. 3/8 LANCIA SNOD.	NUT	
07300354	CORPO RUB. VAPORE x LANC. SNO.	STEAM KNOB BODY X FLEXIBLE WAND	
07300355	FORCELLA RUBINETTO '99	TAP FORK	
07300361	RACCORDO L GIR 6 1/4 VITON	PIVOTING CONNECTION L 6 1/4 VITON346A	
07300362	RACCORDO DIR.M.C.6 1/4 340	STRAIGHT FITTING 1/4	
07300365	RACCORDO T 1/4 M-F-F	T FITTING 1/4 FFM	
07300531	RACCORDO L 1/4 F CALZAM. 347	CONNECTION L 1/4 F ACTUATOR 347	
07300601	INSERTO MANOPOLA PORTAFILTRO 2003 INOX	FILTER HOLDER KNOB INSERTION 2003 STAINLESS	
07300607	PERNO FISSAGGIO CARENE M6-L.2 NICHELATO APPIA	FIXING HINGE M6 L.2	
07300615	ATTACCO RUB.VAPORE AUTOSTEAM APPIA COMPACT	STEAM WAND FASTENING AUTOSTEAM	
07300619	INSERTO PROLUNGA PIEDE ALTO ES 20 L=70 + M10	INSERTION EXTENSION TALL FOOT ES 20 L=70 M10	
08000005	MOLLA 6 ST 11,5X8,5X25 RUB.VAPORE	STEAM VALVE SPRING	
08000015	ANELLO SEEGER TIPO RS 5 INOX UNI 7434	SEEGER RING RS 5 STAINLESS STEEL	
08000017	MOLLA BLOCCA FILTRO ACC.INOX	FILTER HOLDER SPRING INOX	
08000027	MOLLA PER LANCIA SNODATA	WAND SPRING	
08000034	FASCETTA STRINGITUBO D12	HOSE CLAMPS D12	
08000100	MOLLA INTERNA PIEDE 2005	FOOT INNER SPRING 2005	
09000004.UL	CENTRALINA AUTOLIVELLO UL 115V	SWITCHBOARD SELF-LEVEL UL 115V	
09000005	SONDA AUTOLIVELLO COMPLETA L=130	WATER LEVEL SENSOR	

CODICE	DESCRIZIONE	DESCRIPTION	DATA FINE VALIDITA'
09000015	CENTRALINA AUTOLIVELLO 230V	AUTO WATER FILL CIRCUIT 230V	
09000016	RUBINET.ALLACCIO RETE 3/8 M-F	TAP CONNECTION SUPPLY 3/8 M-F	
09000018	RUBINET.DISTRIBUTORE 1/4 M-F	DISPENSER TAP 1/4 M-F	
09100003	MANOMETRO DOPPIA SCALA	DOUBLE SCALE GAUGE	
09200006	PRESSOSTATO MACCHINA CE/UL	PRESSOSTAT	
09500014	TERMOPROTETTORE RESISTENZA 167°C 16A 250V UL	THERMO PROTECTOR	
11600003	TUBO SILICONE 8x12 70Sh TRASPARENTE	SILICON TUBE 8X12 70SH PEROX TRANSPARENT	
11740001	TUBO TEFLON 6/4	TEFLON PIPE 4X6	
14100053	RESISTENZA 1"1/4 1500W 115V INCOLOY	HEATING ELEMENT INCOLOY 1"1/4 1500W 115V	
14100088	RESISTENZA 1"1/4 230V 2600W INCOLOY-800 A MATASSA	HEATING ELEMENT 1"1/4 230V 2600W INCOLOY	
75006037.1	KIT LANCIA VAPORE SNODATA INOX INCLINATA	SWIWEL STEAM WAND KIT	
75006038	BECCO VAPORE M8,65x0,75 F. 1,5	STEAM TIP	
78004001	GRUPPO EROG. LAV. E CROMATO	GROUP HEAD	
78004004	GRUPPO EROG. DX LAV. E CROMATOAPPIA COMPACT	RIGHT BREW. GR. APPIA COMP.	
82007003	ROMPIGETTO ACQUA CALDA D.23,5	HOT WATER DISPERSION NUT D.23,5	
98001006	PIEDE MACCHINA 06 BICOMPONENTE	MACHINE FEET	
98001008	KIT PIEDI ALTI 2006 (4 pz.)	KIT TALL FEET 2006 (4 PCS.)	
98003018	VALVOLA RITEGNO 98 ES.16	VALVOLA RITEGNO 98 ES.16 RETAIN VALVE	
98004016	FILTRO INOX DIAM. 12	STAINLESS FILTER DIAM. 12	
98005021	PORTAFILTRO INCLINATO COMP. 1 VIA	COMPLETE ERGONOMIC FILTERHOLDER1 SPOUT	
98005022	PORTAFILTRO INCLINATO COMP. 2 VIE	COMPLETE FILTERHOLDER 2 WAYS ERGONOMIC	
98005024	CORPO PORTAFILTRO INCLINATO + MANOPOLA	TILTED FILTERHOLDER +HANDLE	
98006015	TUBO TEFLON 4x6 INTERNO LANCIA VAPORE L=147mm	TEFLON TUBE 4X6 INSIDE STEAM WAND L=147 MM.	
98006016	LANCIA VAPORE "TURBO CREAM"	STEAM WAND "TURBO CREAM"	
98006020	RUBINETTO VAPORE +LANCIA INOX	STEAM TAP +WAND STAINLESS AURELIA	
98006021	ASSIEME MANOPOLA VAPORE "2004" DX	COMBINED STEAM KNOB "2004" RIGHT	
98006022	ASSIEME MANOPOLA VAPORE "2004" SX	COMBINED STEAM KNOB "2004" LEFT	
98006048	KIT LANCIA VAPORE TURBOCREAM	TURBOCREAM STEAM WAND KIT	
98006054	ASSIEME LANCIA TURBOCREAM CON SONDA DI TEMPERATURA	COMBINED TURBOCREAM WAND WITH TEMP. PROBE	
98007007	KIT LANCIA ACQUA C. INOX L=100SENZA ROMPIGETTO	KIT HOT WATER SS WAND L=100 WITHOUT SPRAYEND	
98007009	KIT LANCIA ACQUA C. INOX L=70 COMP. DI ROMPIGETTO	KIT HOT WATER STAINLESS WAND L=70 W/SPRAYEND	
98008004	PISTONCINO CHIUSURA COMPLETO	COMPLETE STEAM VALVE PISTON	
980100000000100000	FIANCATA APPIA DX COMPLETA	COMPLETE RIGHT SIDE APPIA	01/03/2011
980100000000120000	FIANCATA APPIA SX COMPLETA	COMPLETE LEFT SIDE APPIA	01/03/2011
98013020	VALVOLA SICUREZZA A5 1/4 TARATA 1,8 BAR	SAFETY VALVE 1/4 1.8 BAR	
98030065	TUBO D.8 1/4 1/4 L=50	TUBE D.8 1/4 1/4 L=50	
98030075	TUBO CAPILLARE 1/8-1/4 0,9x2x400 MANOM.-POMPA	CAPILLARY TUBE 1/8-1/4 0,9X2X400 MANOM.-PUMP	
98030260	TUBO SUP.SX 3/8 3/8 GR.BASSO APPIA COMPACT	LEFT UPPER TUBE 3/8 3/8 LOW GR. APPIA COMP.	
98030261	TUBO SUP.DX 3/8 3/8 GR.BASSO APPIA COMPACT	UPPER RIGHT TUBE 3/8 3/8 LOW GR. APPIA COMP	
98030262	TUBO INF. 3/8 3/8 GR.BASSO APPIA COMPACT	LOWER TUBE 3/8 3/8 LOW GR. APPIA COMPACT	
98030264	TUBO SUP.SX 3/8 3/8 GR.ALTO APPIA COMPACT	UPPER RIGHT TUBE 3/8 3/8 HIGH GR. APPIA COMP	
98030265	TUBO SUP.DX 3/8 3/8 GR.ALTO APPIA COMPACT	UPPER TUBE 3/8-3/8 LOW GR. APPIA 1 GR.	
98030266	TUBO INF. 3/8 3/8 GR.ALTO APPIA COMPACT	LOWER TUBE 3/8 3/8 HIGH GR. APPIA COMPACT	
98030268	TUBO 3/8 3/8 RUB.VAPORE DX-SX APPIA COMPACT	TUBE 3/8 3/8 LEFT-RIGHT STEAM TAP	
98030272	CROCIERA PRESSOSTATO-MANOMETRO	CROSSPIECE PRESSOSTAT-MANOMETER APPIA	
98030274	TUBO 3/8-1/4 CALDAIA-T MISCELATORE A. CALDA	TUBE 3/8-1/4 BOILER-T H.W. MIXER EV APPIA C	
98030276	TUBO 3/8 1/4 CALDAIA-ATTACCO A CALDA	TUBE 3/8 1/4 BOILER-HOT WATER APPIA COMPACT	
98030278	CROCIERA INGR.-NEPL.-RUB.BYPASS-EV LIV.-DOS.	CROSSPIECE ENTRANCE-NEPL-TAP BYPASS-DOSER	
98030280	TUBO 1/4 3/8 DOSATORE VOLUM.- SCAMBIATORE SX.	TUBE 1/4 3/8 DOSER- LEFT EXCHANGER APPIA COMP	
98030281	TUBO 1/4 3/8 DOSATORE VOLUM.- SCAMBIATORE DX.	TUBE 1/4 3/8 DOSER-RIGHT EXCHANGER APPIA COMP	
98030287	TUBO 1/4 3/8 EV.LIVELLO- RUB.BAYPASS- CALDAIA.	TUBE 1/4 3/8 EV. LEVEL- TAP BYPASS- BOILER	
98030289	TUBO 1/4 1/8 SCARICO APPIA COMPACT	TUBE 1/4 1/8 DOWNLOAD APPIA COMPACT	
98030290	CALDAIA SALDATA APPIA COMPACT 2 GR. D.160	WELD BOILER APPIA COMPACT 2 GR. D.160	
98030292	TUBO TEFLON INT. SCAMBIATORE D.6 x 160 mm.	INT. TEFLON TUBE EXCHANGER D.6 X 160 MM.	
98030294	TUBO 3/8-1/4 CALDAIA-EV 3 VIE APPIA COMPACT	TUBE 3/8-1/4 BOILER-3W. EV APPIA COMPACT	
98030296	TUBO 1/4-1/4 EV 3 VIE-ATTACCO LANCIA AUTOSTEAM	TUBE 1/4-1/4 3W.EV-AUTOSTEAM WAND	
98030298	TUBO 3/8-1/4 CALDAIA-VALVOLA SICUREZZA.	TUBE 3/8-1/4 BOILER-SAFETY VALVE -APPIA COMP.	
980400000000020000	ASSIEME GRUPPO EROG. 2/3 GR. APPIA	COMBINED BREWING GROUP APPIA 2-3 GR.	
980400000000030000	ASSIEME GRUPPO EROG. DX APPIA COMPACT	COMBINED RIGHT BREW. GROUP APPIA COMPACT	
98120001	VALVOLA NEPLAX VITON 16BAR 1/8 - PORTAGOMMA	NEPLAX VITON 16BAR VALVE 1/8 HOSE CLAMP	
9816000000000046	ASSIEME PULSANTIERA GR. S	COMBINED PUSH-BUTTON 2 GR APPIA COMP. S	
9816000000000047	ASSIEME PULSANTIERA GR. ALTI S	COMBINED PUSH-BUTTON 2 HIGH GR S	
9816000000000048	ASSIEME PULSANTIERA COMP. 2 GR. S	COMBINED PUSH-BUTTON COMPL 2 LOW GR S	
9816000000000049	ASSIEME PULSANTIERA COMP. 2 GR. ALTI S	COMBINED PUSH-BUTTON COMPL 2 HIGH GR S	
981600000000420001	ASSIEME PULSANTIERA GR. V	COMBINED PUSH-BUTTON LOW GR V	
981600000000420002	ASSIEME PULSANTIERA GR. V AUTOSTEAM	COMBINED PUSH-BUTTON LOW GR V AUTOSTEAM	
981600000000430001	ASSIEME PULSANTIERA GR. ALTI V AUTOSTEAM	COMBINED PUSH-BUTTON HIGH GR V AUTOSTEAM	
981600000000430002	ASSIEME PULSANTIERA GR. ALTI V	COMBINED PUSH-BUTTON HIGH GR V	
981600000000440001	ASSIEME PULSANTIERA COMP. GR. V	COMBINED PUSH-BUTTON COMPL. LOW GR V	
981600000000440002	ASSIEME PULSANTIERA COMP. GR. V AUTOSTEAM	COMBINED PUSH-BUTTON COMPL. LOW GR V AUTOST.	
981600000000450001	ASSIEME PULSANTIERA COMP. GR. ALTI V AUTOST.	COMBINED PUSH-BUTTON COMPL. HIGH GR V AUTOST.	
981600000000450002	ASSIEME PULSANTIERA COMP. GR. ALTI V	COMBINED PUSH-BUTTON COMPL. HIGH GR V	

APPICOMPACT