



NU-VU® Model:

QB-3/9

Oven / Proofer

A Quality Product Made in the U.S.A.

by:

NU-VU® Food Service Systems

5600 13th STREET

MENOMINEE, MICHIGAN 49858-1029

(800) 338-9886 FAX (906) 863-5889

(This page is intentionally left blank)

Dear Customer:

Thank you for buying NU-VU[®] equipment. We think you have purchased one of the best units on the market today.

Every piece of NU-VU[®] equipment is put through a full electrical test. In addition, NU-VU[®] ovens are randomly selected for test baking to ensure you are receiving the best product possible. The interior of the oven may darken slightly during this testing process. This coloration is normal and occurs in any oven that has been operated for a few hours. It will not affect the operation, durability or warranty of your NU-VU[®] equipment.

This OWNER'S MANUAL has been put together to give you a good general knowledge of your equipment. It is not a detailed technical manual; such a book is unnecessary for the daily care and operation of your unit. However, this Manual *does* contain some basic trouble-shooting and service information. If this OWNER'S MANUAL does not answer your questions or solve your problems please call us on our toll-free service line at (800) 338-9886. You can also fax your question or comment to our Service Department at (906) 863-6322. You can even e-mail us at service@nu-vu.com. One of our service technicians will be glad to assist you. Please remember to supply the model number, serial number and the manufacturing date code of your NU-VU[®] equipment when you contact us.

Each page carries information to help you use this OWNER'S MANUAL. The header at the top of each page contains the title of the section you are currently in. The footer at the bottom of each page carries the page number, our toll-free telephone number, and our Sales and Service fax numbers.

All sections begin at the top of a page and start like this:

SECTION HEADING

All sub-section headings are on the left side of each page and look like this:

SUB-SECTION HEADING:

SUB-SECTION HEADING - -

Pointing hands are located in the left margin throughout this OWNER'S MANUAL, and point toward shaded boxes containing important warning and/or safety information:



IMPORTANT: THESE SHADED BOXES WILL CONTAIN IMPORTANT WARNING, OPERATING AND/OR SAFETY INFORMATION!

The illustrations used throughout this OWNER'S MANUAL are titled in their lower left-hand corners. A complete list of these illustrations, along with their respective page numbers, can be found on page *iv* of this manual. A REPLACEMENT PARTS LIST can be found at the end of this manual. Replacement parts are listed by Reference Number. The part Reference Numbers are circled **O** in the illustrations and bracketed [] in the text. Please note that some of the parts listed are not replaceable except as part of another assembly, but are listed for reference and identification only.

Electrical schematics are also included at the end of this OWNER'S MANUAL for use as reference aids only. Please contact our Service Department for specific electrical information.

(This page is intentionally left blank)

TABLE OF CONTENTS

ABOUT YOUR QB-3/9	1
QB-3/9 Specifications	2
RECEIPT, INSTALLATION AND START-UP	
Receipt	3
Installation	4
Connection of Electrical Supply	4
Connection of Optional Water Supply	5
Start-Up	
Oven	6
Standard Manual-Fill Proofer	7
Optional AUTOMIST Proofer	8
OPERATING INSTRUCTIONS	
Proofer	
For the Standard Manual-Fill Proofer	9
For the Optional AUTOMIST Proofer	10
Oven	12
99-Minute Digital Timer (optional)	13
Timer Operational Notes	13
MAINTENANCE AND CLEANING GUIDE	
Maintenance	14
Manual Fill Proofer Dry-Out Procedure	14
AUTOMIST Proofer Dry-Out Procedure	14
Oven Dry-Out Procedure	14
Cleaning	15
SERVICE AND REPLACEMENT GUIDE	16
Temperature Control, How to Adjust	16
Door Latch, How to Adjust	17
Door Test Procedure	17
Door Gasket, How to Replace	18
Replacing the Oven Door Gasket	18
Replacing the Proofer Door Gasket	19
NU-VU® EQUIPMENT WARRANTY	
Parts	20
Labor	20
Warranty Limitations	21
Parts Return Procedure and Conditions	22
REPLACEMENT PARTS LIST	
Electrical Components	23
Oven Control Components	24
Proofer Control Components	24
Door Components	24
Oven Interior Components	25
Proofer Interior Components (Manual Fill)	25
General Exterior Components	25
AUTOMIST Option Components	26
ELECTRICAL SCHEMATICS	26

*** * * NOTICE * * ***

Record the Model Number and Serial Number from the nameplate on the side of your unit on page 20 in the WARRANTY section for future reference. Please be ready to give these numbers to our Service Department when ordering replacement parts or requesting service.

**LIST OF
ILLUSTRATIONS AND SCHEMATICS**

Fig. #1	Installation	3
Fig. #2	Power Supply Connections	5
Fig. #3	Manual Fill Proofer Controls	9
Fig. #4	AUTOMIST Proofer Controls	10
Fig. #5	Oven Controls	12
Fig. #6	99-Minute Digital Timer	13
Fig. #7	Door Latch Assembly	17
Fig. #8	Door Gasket	18
Electrical Schematics		26

(This page is intentionally left blank)

ABOUT YOUR QB-3/9

The NU-VU® QB-3/9 is an electrically powered and operated commercial baking/cooking appliance. It does not require exterior venting under normal circumstances; however, hood and venting requirements vary from country to country, state to state, and even from locality to locality. For this reason, NU-VU® cannot give specific detailed information regarding your individual application. Your local building inspector, licensed contractor, or installer is best qualified to determine your specific needs.

The oven section of the QB-3/9 features our patented V-AIR® air movement system. A top-mounted blower moves the air down through the side walls to be heated, then out through specially designed hole patterns to provide even heat distribution throughout the oven. Your product is baked evenly from top to bottom, side to side, front to back without turning pans. You can load the oven completely with pans having the same product, bake, and remove the entire load at the same time. The bake is uniform because each shelf now receives essentially the same air pattern.

The oven section is equipped with a single 425°F solid state heat control and a 60-minute mechanical timer. The oven compartment can hold up to three (3) full size 18"x26" sheet pans, or six (6) half-size 13"x18" sheet pans on the included chrome-plated wire shelves.

The Proofer section is equipped with a 250°F solid state heat control, a numbered (1-10) humidity control, and a 60-minute mechanical timer. Manual fill proofers are supplied with a stainless steel water pan (½ size x 2½"). The proofer compartment can hold up to nine (9) full size 18"x26" sheet pans, or eighteen (18) 13"x18" half-size sheet pans on the included chrome-plated wire shelves. A total of twelve (12) chrome plated wire shelves are included for use in the oven and proofer.

Measuring 78¾" high, 36½" wide and 29" deep, the entire unit takes up less than 7½ square feet of floor space. It is constructed of stainless steel both inside and out. The front and back frames are cut from single sheets of stainless steel. These frames then are welded to the stainless base and top headers to form a unit with superior durability and rigidity. Components such as temperature and humidity controls, timers, switches, motors, heating elements, and others are thoroughly tested before shipment. Ongoing research and development projects are used to introduce the latest and most dependable components.

The NU-VU® QB-3/9 is designed for:

- Automatic pan positioning
- Rapid and even baking
- Easy cleaning
- Simple operation
- Dependability
- Low energy consumption
- Low maintenance
- Rapid servicing

These options are also available for use on the QB-3/9:

- AUTOMIST Proofer humidity system
- Digital 99-minute timers
- Digital thermometers

The *AUTOMIST* option eliminates the manually filled water pan in the proofer, but requires connection to a pressurized potable water supply. An adjustable water mist is injected into the blower wheel in the bottom of the proofer. The blower wheel then distributes this water mist evenly throughout the proofer compartment to provide the controlled humidity necessary for proper proofing action.

Digital 99-minute timers are available can be substituted for the 60-minute mechanical timers that are supplied as standard equipment.

Digital thermometers can be added to the front of the unit for either the oven or proofer, or for both. While the thermometers have no control function, they can give an indication of actual internal temperatures.

QB-3/9 SPECIFICATIONS:

Exterior Dimensions

Height = 78³/₄"Width = 36¹/₂"

Depth = 29"

Interior Dimensions (usable space)

Oven Height = 14¹/₂"

Width = 26"

Depth = 18¹/₂"

Proofer Height = 32"

Width = 26"

Depth = 18¹/₂"

Door Swing (straight out from face of unit)

Oven = 29¹/₄"Proofer = 29¹/₄"

Capacities

Oven = Six 13"x18" half size sheet pans with 4¹/₄" pan spacingor three 18"x26" full size sheet pans with 4¹/₂" spacingProofer = Eighteen 13"x18" half size sheet pans with 3¹/₄" pan spacingor nine 18"x26" full size sheet pans with 3¹/₄" spacing

Listings/Approvals



Service Connections

Electrical:

120/208 volt, 60 Hz

120/240 volt, 60 Hz

220/380 volt, 50 Hz

230/415 volt, 50 Hz

Single or three phase, with or without an electrical neutral, to be hard wired on site.

The oven compartment uses two 2,000-watt heating elements in 208 or 240 volts. They may be wired in series or parallel depending on the intended power source (refer to appropriate electrical schematic at the end of this manual).

The proofer compartment for the standard manual fill proofer uses two 255-watt elements to heat the compartment, and one 625-watt element to produce humidity in the compartment. Proofers equipped with the AUTOMIST option use two 600-watt heating elements only; no humidity element is required.

Water:

Standard manual fill units do not require connection to a water supply.

Units with the AUTOMIST option require direct connection to a pressurized potable water supply. Any unit requiring connection to a water supply comes equipped with a 1/4" compression-type copper fitting installed on the back of the unit (refer to *Fig. #1* on page 3)

RECEIPT, INSTALLATION AND START-UP

RECEIPT:

It is essential to inspect the unit immediately when it arrives. NU-VU® has placed instructions on the packaging to help avoid damage in transit. However, negligent handling can produce hidden damage.

These steps should be followed:

- A. Inspect the entire perimeter of the package for damage or punctures to the packing material. This may indicate damage to the unit inside. Call any and all packing damage to the attention of the delivery person.
- B. If any package damage is found uncrate the unit immediately *in the presence of the delivery person* to determine if the unit is damaged. Pay special attention to the top of the unit. Make sure it is not bend or otherwise damaged, which may occur if the top of the unit has struck a door frame or the top of a trailer. If any damage is found indicate the type and amount of damage on the shipping documents and notify NU-VU® at (800) 338-9886 immediately after filing a freight claim.
- C. Uncrate the unit carefully and check the entire unit (top, front, back, and both sides) for any visible or hidden damage.
- D. Remove the unit from the shipping pallet and inspect the bottom (including the Casters) for any damage. Check the Casters and the Proofer Motor/Cover under the unit.
- E. If any damage is noted after the driver leaves immediately contact the freight company and NU-VU® Food Service Systems.
- F. Check the Oven and Proofer Doors. Make sure both Doors close completely, and that the Door Gaskets seal firmly (refer to the *DOOR TEST PROCEDURE* in the *SERVICE AND REPLACEMENT GUIDE*). If they do not close or seal properly please contact the NU-VU® Service Department for instructions and assistance in any required adjustments.
- G. Count the number of Shelves included. There should be a total of twelve (12) Shelves (nine for the Proofer, three for the Oven). Contact NU-VU® immediately concerning any shortage.

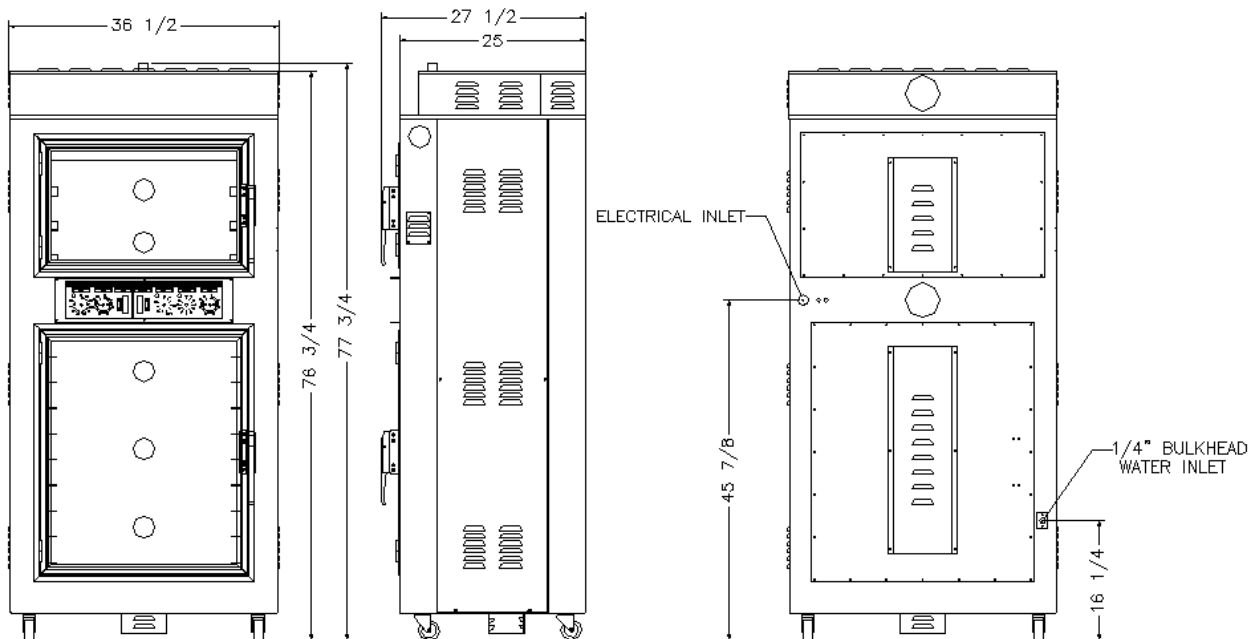


Fig. #1 - Installation

INSTALLATION:

Record the Model Number and complete Serial Number of your unit in the spaces provided on page 47 of this manual. You will need these numbers if you should ever need to contact our Service Department concerning adjustments, replacement parts or other service needs.

Roll the unit into the exact position where it is to be operated. Make sure there will be enough clearance on each side of the unit for proper cooling during operation, and for ease of access during maintenance or service. NU-VU® recommends a minimum clearance of 4" at the back and both sides of the unit. Mark the locations of the electrical and optional water connections on the wall.

Check the swing of both the Oven and Proofer Doors, making sure they have enough room to open completely without hitting anything or obstructing the work area.

Move the unit out from its operating position and proceed with the service connections.

Connection of Electrical Supply - -

Check to determine that the power source is the same voltage and phase as that indicated on the label on the side of the unit. If the voltage or phase *is not* the same, please call NU-VU® service department at 800-338-9886.



IMPORTANT: DO NOT CONNECT THIS UNIT IF YOUR POWER SOURCE DOES NOT MATCH THE REQUIREMENTS AS LISTED ON THE UNIT LABEL!

This equipment must be installed and connected in accordance with all applicable federal, state, province, and/or local electrical codes having jurisdiction. All electrical connections must be made with COPPER WIRE ONLY in the correct gauge for the application. The unit may be connected either through a plug and receptacle-type connection or direct wiring. Allow enough slack in the wiring to allow for equipment to be moved during installation or any required maintenance and servicing.



WARNING: ALL POWER MUST BE TURNED OFF AT THE ELECTRICAL SUPPLY WHILE THIS UNIT IS BEING CONNECTED!

The electrician should remove the Outside Top [71] to expose the power supply connections at the Power Terminal Block [1] on top of the oven compartment. A wiring schematic is attached to the wiring near the power terminal connections.

Proper electrical connections will vary depending on the voltage, phase and frequency requirements of the unit and available power supply. The following instructions are for the most common 120/208 volt or 120/240 volt configurations (refer to *Fig. #2* on page 5), and may be modified to fit your installation.

- A. The electrician must install a cable clamping device or cord restraint in the rear access hole. This cable clamping device must be firmly attached to the unit, and appropriately sized for the power supply wire or cord being used.
- B. Take note of the labeling on the Oven terminal connections (Line 1, Line 2, Line 3, and Neutral) at the Power Terminal Block [1].
- C. Carefully identify the power source connections and attach them to the appropriate terminals. Make sure all connections are clean and tight.



IMPORTANT: IN A THREE PHASE SYSTEM ANY WILD LEG (MORE THAN 120 VOLTS TO NEUTRAL) MUST ALWAYS BE CONNECTED TO L-2!

- D. Be sure the unit is properly grounded BEFORE use by attaching a grounding wire to the Ground Lug [2] next to the Power Terminal Block.

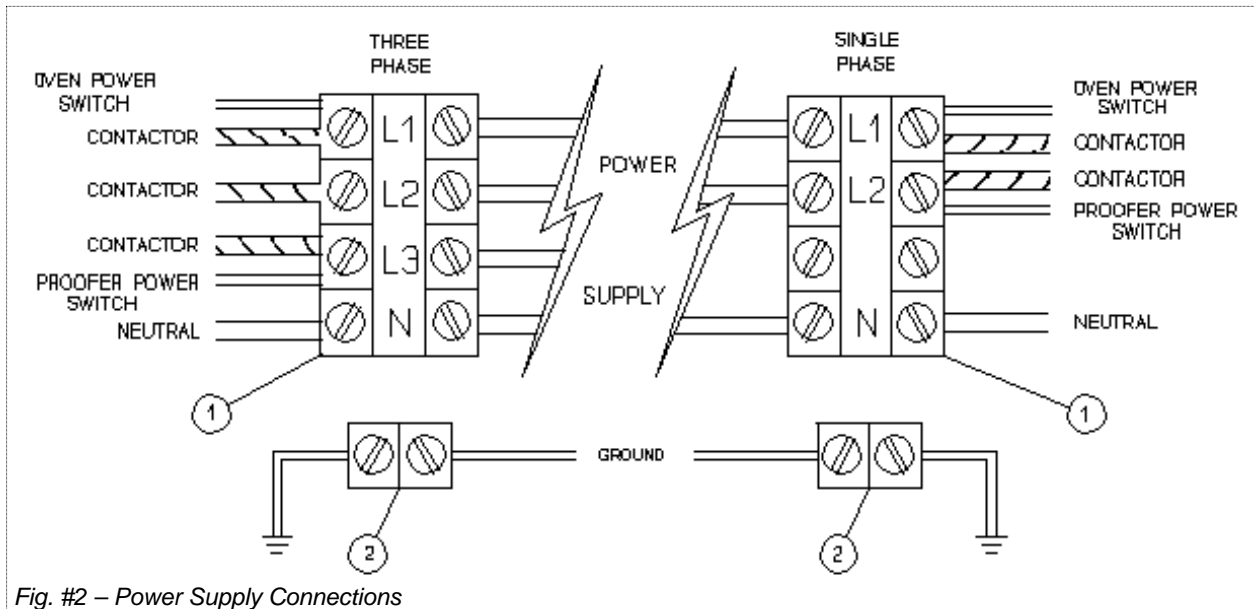


Fig. #2 – Power Supply Connections

- E. Carefully set all switches and controls on the front of the unit to their **OFF** positions and engage the main power supply.
- F. Check the voltage at the terminals on the Power Terminal Block with a voltmeter and compare the readings with the label listings on the side of the unit. If the readings match, the unit is ready for its initial START-UP. If the readings **DO NOT** coincide you must call the NU-VU[®] Service Department.
- G. Install any required or desired drain plumbing to the drain fitting in the base of the unit directly under the proofer compartment.
- H. Replace the Outside Top. Be careful not to pull or pinch any wires while installing the Panel.
- I. Install nine of the supplied Shelves [65] in the Proofer. The other Shelves are used in the Oven.
- J. Push the unit back into place and set the brakes on the front Casters.
- K. The Proofer compartment of the NU-VU[®] QB-3/9 is equipped with a bottom drain centered directly under the Proofer Door. Please install the included Drain Pan [77] in the brackets under the Proofer *if you have not already installed drain plumbing*. This drain prevents the build-up of excessive water that may damage the Proofer Motor, Heating or Humidity Element, or a Sensor.

Connection of Optional Water Supply - -

This equipment must be installed in accordance with all applicable federal, state, province, and/or local plumbing codes having jurisdiction.

NU-VU[®] strongly recommends that **SOFT WATER ONLY** be used in any unit requiring a water supply. Also, a good quality water filter must be installed in-line between the unit connection and the water supply to guard against clogging and mineral build-up in the components. This is extremely important in areas having hard water. The water filter may be installed at the water source, adjacent to the water inlet on the unit, or anywhere in between, whichever is more convenient for you.

- A. Run 1/4" OD tubing from the water supply line to the unit location. Allow some slack in the tubing for final unit positioning and any future service requirements. Avoid any kinks or strains on the tubing, and position the tubing where it will not be damaged in any way.
- B. The tubing end that attaches to the back of the unit must not be damaged or deformed in any way. The cut end should be cut straight and clean with no deforming of the tubing. All burrs and sharp or rough edges should be removed to ensure a proper and leak-free connection.
- C. Position the tubing so that it runs straight into the intake Water Fitting [76] on the rear of the unit. Be careful not to kink the tubing if you bend it, and do not bend the tubing within two (2) inches of the cut end.

- D. The two-part compression fitting (tapered collar and nut) is placed approximately 1" onto the end of the tubing so that the collar is inside of the nut and the threaded opening of the nut is toward the intake Water Fitting.
- E. Push the end of the tubing all the way into the intake Water Fitting (approximately 1/4") and hold it there while you thread the compression nut onto the intake Fitting. Tighten the compression nut with an open-end wrench, *but do not over-tighten the fitting!* If the joint leaks when tested, and further gently tightening does not stop the leakage, the compression fitting must be replaced.

Careful attention to these simple procedures will help to ensure an installation without leaks. If you have any questions or problems, please call the NU-VU® Service Department at (800) 338-9886.

IMPORTANT: Please be sure to install any desired or required drain plumbing at this time. Any required plumbing must be installed before attempting an INITIAL START-UP.

NOTE: Your QB-3/9 is equipped with a Drain in the floor of the Proofer compartment. This Drain prevents the accumulation of excess water that may damage the Proofer Motor, Heating and/or Humidity Elements, or a Control Sensor. Please slide the included Drain Pan [77] into the bracket under the Proofer Door to catch any draining water, OR position the Proofer Drain directly over a floor drain, OR attach a length of tubing or light hose to the Drain where it comes through the base of the unit and run it to a floor drain in the immediate area.

**YOUR NU-VU® QB-3/9 SHOULD NOW BE
READY FOR ITS INITIAL START-UP!**

IMPORTANT: IMPROPER INSTALLATION, MISUSE, OR OTHER FAILURE TO FOLLOW THESE INSTRUCTIONS MAY CAUSE SEVERE EQUIPMENT DAMAGE OR PERSONAL INJURY. AND MAY ALSO VOID ALL OR PART OF YOUR NU-VU® WARRANTY!

*** * * Notice * * ***

National Sanitation Foundation (NSF) guidelines require that all interior parts be removable without the use of tools. This equipment has been factory assembled to safely accommodate rough handling through shipment, delivery and original installation. After any maintenance, cleaning or required service work the interior sheet metal parts should be reassembled and fastened hand-tight only, but still be tight enough to prevent any rattle or movement of parts.

START-UP:

Prior to starting up the QB-3/9 for the first time it is advisable to set all the controls and switches to their OFF positions.

Oven - -

(refer to Fig. #5 on page 12)

- A. Unscrew the glass Light Lenses [19] in the rear of the Oven. Install the included Appliance Bulbs (if they are not already installed) and replace the Lenses. Close the Oven Door [41] securely.
- B. Engage the main electrical and optional water supplies.
- C. Set the Oven Power Switch [21] to **ON**. The interior of the Oven should illuminate and the Oven Blower Wheel [51] should begin to rotate.
- D. Open the Oven Door [41]. The Motor/Blower Wheel should come to a stop as the Door opens and the Micro Switch [15] in the Door Jamb is released.
- E. Place a reliable oven thermometer on a baking pan in the center of the Oven.
- F. Close the Oven Door securely. The Motor/Blower Wheel should restart.

- G. Set the Oven Temperature Control [22] to 350°F. The Temperature Control Indicator Light [23] should

illuminate and the Oven should begin heating. You may continue with the Oven Start-Up and even begin the Proofer Start-Up while the Oven heats.

- H. Turn the knob of the Oven Timer [24] to 20 minutes, then set it back to 5 minutes (if your unit is equipped with the optional 99-Minute Digital Timers please refer to the appropriate operating instructions on page 13). Allow the Timer to count down and its Buzzer Alarm to sound. If the Timer does not run or the Buzzer fails to sound please refer to the *TROUBLE-SHOOTING GUIDE* under VII - *The Oven or Proofer Timer does not run* or VIII - *The Buzzer Alarm does not sound*.
- I. Check the thermometer reading against the Temperature (Bake) Control setting when the Control Indicator Light goes out. If the readings differ by more than 10° the Temperature Control may need a simple adjustment. Please call the NU-VU® Service Department **BEFORE** attempting calibration or adjustment of the control.

NOTE: Please allow the Temperature Control to cycle two or three times to allow the Oven temperature to stabilize **BEFORE** comparing the readings.

- J. Return all Oven controls and switches to their **OFF** positions.

Standard Manual Fill Proofer - -

(refer to Fig. #3 on page 9)

- A. Unscrew the glass Light Lenses [19] in the rear of the Proofer. Install the included Appliance Bulbs (if they are not already installed) and replace the Lenses. Close the Proofer Door [42] securely.
- B. Set the Proofer Power Switch [31] to the **ON** position. The Proofer interior should illuminate and the Fan Blade [61] should begin to rotate.
- C. Set the Proofer Temperature Control [32] to any selected proofing temperature (generally 90°-95°F). The Temperature Control Indicator Light [33] should illuminate.
- D. Place a reliable oven thermometer on a Proofer Shelf [65] in the center of the Proofer.
- E. Check the thermometer reading against the Temperature Control setting when the Temperature Control Indicator Light goes out. If the readings differ by more than 5° the Temperature Control may need a simple adjustment. Please call the NU-VU® Service Department **BEFORE** attempting calibration or adjustment of the control.

NOTE: Please allow the Temperature Control to cycle two or three times to allow the Proofer temperature to stabilize **BEFORE** comparing the readings.

- F. Remove the Water Pan [64]. Set the Proofer Humidity Control [34] to #10. The Humidity Control Indicator Light [35] should illuminate and the round Humidity Element [13] will begin to heat up.
- G. Fill the Water Pan with approximately 1" to 1½" of warm water, place it on the Humidity Element, and close the Proofer Door. The water should begin to heat up, and in a few minutes a light fogging should begin to form on the Proofer Door glass.
- H. Turn the knob of the Proofer Timer [36] to 20 minutes, then set it back to 5 minutes (if your unit is equipped with the optional 99-Minute Digital Timers please refer to the appropriate operating instructions on page 13). Allow the Timer to count down and its Buzzer Alarm to sound. If the Timer does not run or the Buzzer fails to sound please refer to the *TROUBLE-SHOOTING GUIDE* under VII - *The Oven or Proofer Timer does not run* or VIII - *The Buzzer Alarm does not sound*.
- I. Return all Proofer controls and switches to their **OFF** positions.

Your manual fill QB-3/9 is now ready to operate!

Optional AUTOMIST Proofer - -

(refer to Fig. #4 on page 10)

- A. Unscrew the glass Light Lenses [19] in the rear of the Proofer. Install the included Appliance

Bulbs (if they are not already installed) and replace the Lenses. Close the Proofer Door [42] securely.

- B. Set the Proofer Power Switch [31] to the **ON** position. The Proofer interior should illuminate and the Blower Wheel [86] should begin to rotate.
- C. Set the AUTOMIST Humidity Control [81] to #2 or #3. The Humidity Control Indicator Light [82] should illuminate as a light water mist is sprayed from the Injection Nozzle [85] into the Blower Wheel. The spray should stop after less than one second and the Indicator Light should go out. After a short pause (approximately 40-45 seconds) the Humidity Control and Injection Nozzle will cycle again. Set the Humidity Control to **OFF**.

***NOTE:** The AUTOMIST option controls the humidity in the Proofer by using a solid-state Repeat Cycle Timer [83]. This Timer has a fixed “OFF” time and an adjustable “ON” time. Changing the setting of the Humidity Control varies the “ON” time and regulates the duration of the water spray in the Proofer and the resulting amount of humidity.*

- D. Set the Proofer Temperature Control [32] to any selected proofing temperature (generally 90°-95°F). The Temperature Control Indicator Light [33] should illuminate.
- E. Place a reliable oven thermometer on a Proofer Shelf [65] in the center of the Proofer.
- F. Check the thermometer reading against the Temperature Control setting when the Temperature Control Indicator Light goes out. If the readings differ by more than 5° the Temperature Control may need a simple adjustment. Please call the NU-VU® Service Department **BEFORE** attempting calibration or adjustment of the control.

***NOTE:** Please allow the Temperature Control to cycle two or three times to allow the Proofer temperature to stabilize **BEFORE** comparing the readings.*

- G. Turn the knob of the Proofer Timer [36] to 20 minutes, then set it back to 5 minutes (if your unit is equipped with the optional 99-Minute Digital Timers please refer to the appropriate operating instructions on page 13). Allow the Timer to count down and its Buzzer Alarm to sound. If the Timer does not run or the Buzzer fails to sound please refer to the *TROUBLE-SHOOTING GUIDE* under VII - The Oven or Proofer Timer does not run or VIII -The Buzzer Alarm does not sound.
- H. Return all Proofer controls and switches to their **OFF** positions.

Your AUTOMIST QB-3/9 is now ready to operate!

OPERATING INSTRUCTIONS

PROOFER:

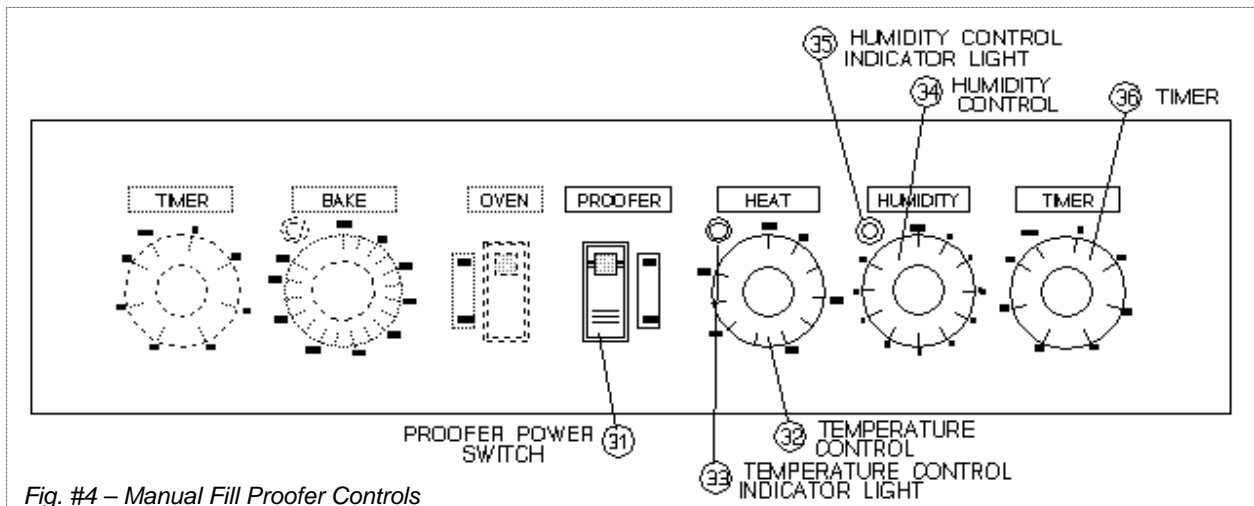


Fig. #4 – Manual Fill Proofer Controls

For the Standard Manual Fill Proofer - -

Begin to pre-heat the Proofer section of the QB-3/9 about 20 to 30 minutes before its scheduled use.

- A. Set out the desired product for thawing. Be sure to allow sufficient time in your schedule for both the product and your equipment to reach the correct conditions.
- B. Prepare the Proofer:
 1. Set the Proofer Power Switch [31] to **ON**.
 2. Set the Proofer Temperature Control [32] to the required. Begin preheating the Proofer at least 20 minutes prior to its scheduled use.
 3. Set the Proofer Humidity Control [34] to the required. Manual fill units require time to heat the water and raise the internal humidity level; these units must be started at least 20 minutes before use.
 4. Make sure the Water Pan [64] contains no less than 1" of water. The water level should be checked every time you load the Proofer, and at least every other hour during operations. Use warm water whenever you refill the pan.
 5. The Proofer is ready for use when the Temperature and Humidity Indicator Lights go out and a light to moderate fogging appears on the Proofer Door [42].



IMPORTANT: ALWAYS REDUCE THE HUMIDITY SETTING TO A MINIMAL LEVEL WHEN OPERATING THE PROOFER FOR EXTENDED PERIODS WITHOUT ANY PRODUCT INSIDE!

- C. Load the product. The pans should be pushed all the way back and centered from side to side as much as possible on each Proofer Shelf to allow for proper air circulation over and around your product. If you are loading a single pan, center it on the Shelf from side to side and front to back.

***NOTE:** The Indicator Lights will turn on and off as the Temperature and Humidity Controls regulate the conditions in the Proofer. This is normal and may happen several times during a proofing cycle.*

- D. Set the Proofer Timer [36] as a reminder to check your proof. Remember to turn the Timer knob *past*, then *back to*, the desired time for best accuracy. If your unit is equipped with the optional 99-Minute Digital Timers, please refer to page 13 for instructions on how to operate the Timer.
- E. Monitor the proofing process. Your Proofer is functioning properly if there is a light to moderate fogging on the Proofer Door. No fogging means your Proofer may be running too hot, too dry, or both. Excessive fogging (with water running down the glass) means your Proofer may be running too cold, too wet, or both. Check the product and adjust the Proofer Temperature and Humidity Controls as necessary.

TIP: If water accumulates on the floor in front of your Proofer from drippings out of the Proofer Door you are probably proofing with too much humidity. Decrease the Humidity Control setting. If water on the floor is a constant problem for you please call the NU-VU® Service Department at (800) 338-9886.

- F. Load the Oven when your product is fully proofed. Yeast products should be 65% to 75% of the desired finished size at the end of the proof cycle. Generally speaking, properly proofed bread should have a soft, silky smooth feel to it when touched. It should never be anything more than slightly tacky. If the dough sticks to your finger and does not pull off cleanly, the dough is too wet.

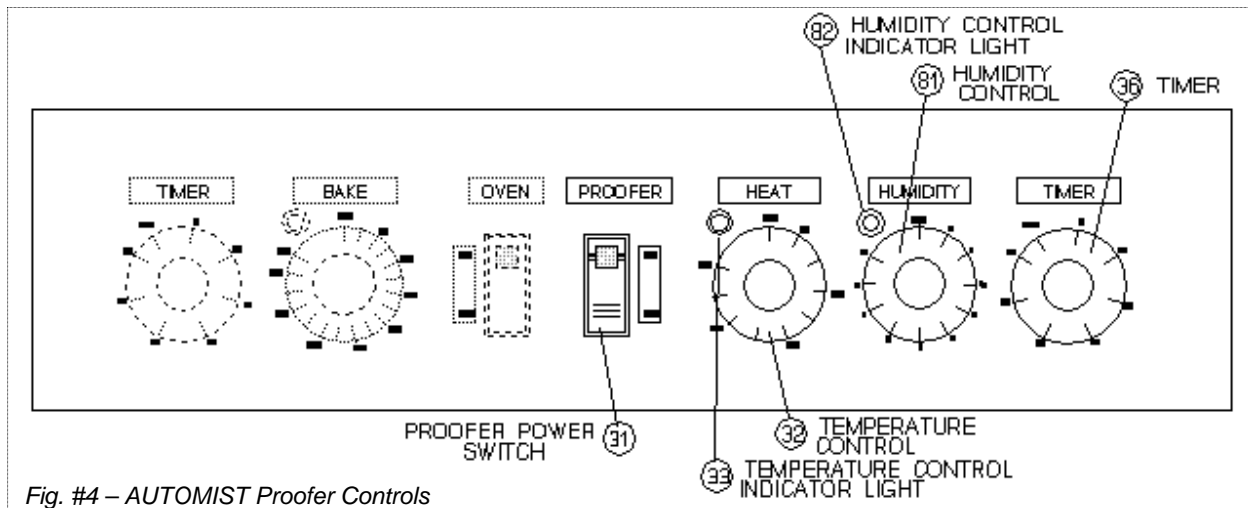


Fig. #4 – AUTOMIST Proofer Controls

For the Optional AUTOMIST Proofer - -

Begin to pre-heat the Proofer section of the QB-3/9 about 20 to 30 minutes before its scheduled use.

- A. Set out the desired product for thawing. Be sure to allow sufficient time in your schedule for both the product and your equipment to reach the correct conditions.
- B. Prepare the Proofer:
 1. Set the Proofer Power Switch [31] to **ON**.
 2. Set the Proofer Temperature Control [32] to the required setting. Begin preheating the Proofer at least 20 minutes prior to its scheduled use.
 3. Make sure water is being supplied to the Proofer, but leave the Proofer Humidity Control [81] **OFF**. An AUTOMIST unit injects water directly into the air in the Proofer, raising the internal humidity level almost immediately. Running an AUTOMIST unit for an extended time without product in the Proofer may cause an excessive build-up of water in the Proofer.
 4. The Proofer is ready for use when the Temperature Indicator Light [82] goes out.



IMPORTANT: ALWAYS REDUCE THE HUMIDITY SETTING TO A MINIMAL LEVEL WHEN OPERATING THE PROOFER FOR EXTENDED PERIODS WITHOUT ANY PRODUCT INSIDE!

- C. Load the product. The pans should be pushed all the way back and centered from side to side as much as possible on each Proofer Shelf to allow for proper air circulation over and around your product. If you are loading a single pan, center it on the Shelf from side to side and front to back.
- D. Now set the Proofer Humidity Control [81] to the required setting. The Proofer Door should begin to fog over in a few minutes.

***NOTE:** The Indicator Lights will turn on and off as the Temperature and Humidity Controls regulate the conditions in the Proofer. This is normal and may happen several times during a proofing cycle.*

- E. Set the Proofer Timer [36] as a reminder to check your proof. Remember to turn the Timer knob *past*, then *back* to the desired time for best accuracy. If your unit is equipped with the optional 99-Minute Digital Timers, please refer to page 13 for instructions on how to operate the Timer.
- F. Monitor the proofing process. Your Proofer is functioning properly if there is a light to moderate fogging on the Proofer Door. No fogging means your Proofer may be running too hot, too dry, or both. Excessive fogging (with water running down the glass) means your Proofer may be running too cold, too wet, or both. Check the product and adjust the Proofer Temperature and Humidity Controls as necessary.

***TIP:** If water accumulates on the floor in front of your Proofer from drippings out of the Proofer Door you are probably proofing with too much humidity. Decrease the Humidity Control setting. If water on the floor is a constant problem for you please call the NU-VU[®] Service Department at (800) 338-9886.*

- G. Load the Oven when your product is fully proofed. Yeast products should be 65% to 75% of the desired finished size at the end of the proof cycle. Generally speaking, properly proofed bread should have a soft, silky smooth feel to it when touched. It should never be anything more than slightly tacky. If the dough sticks to your finger and does not pull off cleanly, the dough is too wet.

OVEN:

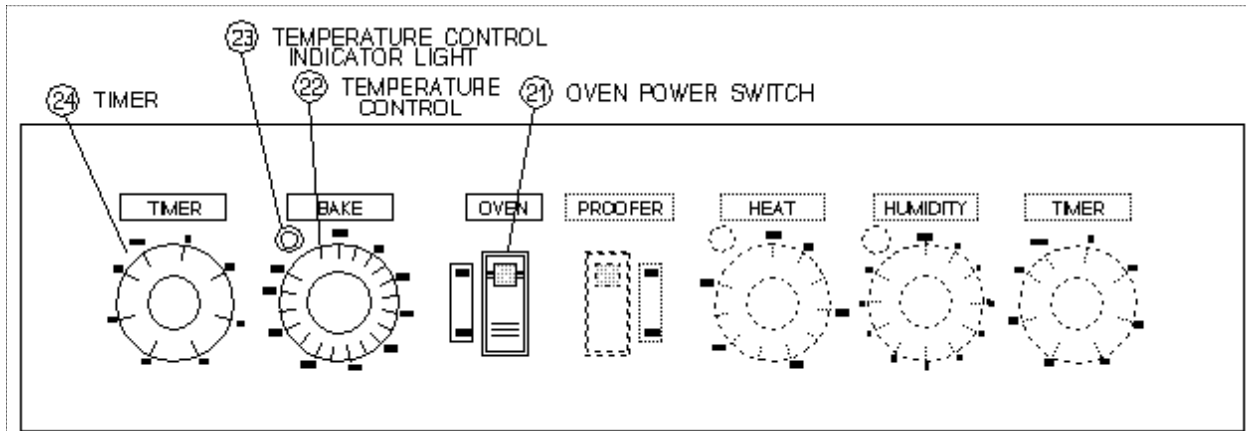


Fig. #5 – Oven Controls

At the beginning of each day you may want to preheat your Oven about 25° higher than the required baking temperature. Since your Oven requires time to reach the proper temperature, you must plan ahead so your Oven and product are ready at the same time. When the desired temperature is reached (about 15-20 minutes after start-up), the Oven Temperature Control Indicator Light [23] will go out. It is not necessary to reset to preheat temperature with each load unless you are baking new items at a higher temperature or the Oven was off for an extended period.



WARNING: WE TRY TO “BURN OFF” ANY MANUFACTURING OILS INSIDE OF YOUR OVEN BEFORE SHIPMENT. HOWEVER, SOME OILS MAY REMAIN, CAUSING YOUR OVEN TO SMOKE DURING INITIAL OPERATION. SIMPLY ALLOW THE OVEN TO RUN AT 350°F FOR AN HOUR OR TWO TO COMPLETE THE BURN-OFF AND THE SMOKING SHOULD STOP. WE APOLOGIZE FOR ANY INCONVENIENCE THIS MAY CAUSE.

To operate the Oven section:

- A. Turn the Oven Power Switch [21] **ON** and set the Temperature Control [22] to the desired preheat or baking temperature . When the Temperature Control Indicator Light goes out the Oven is ready for baking.
- B. Load the Oven from the top down, placing a single full size pan or two half-size pans on each Shelf. Push the pans all the way to the rear, and center them from side to side. Single pans should be centered from side to side and front to back. If the top shelf is too high to be reached safely and easily, empty pans should be placed on the shelf to guide the air flow over and around your product for the best possible results.
- C. Close the Oven Door [41] securely. It is important to keep the Oven Door closed unless loading or removing product to maintain Oven temperature, reduce baking time, and minimize energy usage.

NOTE: It is helpful to slowly push the Oven Door closed until the Oven Motor restarts. Hold it about 1" from the closed position for only 1 or 2 seconds before latching it securely. This short delay prevents the build-up of internal air pressure that may suddenly "pop" the Oven Door open.

- D. Set the Oven Timer [24] for the estimated baking time *minus one or two minutes*. This will assure an early indication from the Buzzer Alarm [16] and help prevent over-baking. Remember to turn the Timer knob *past*, then *back to* the desired time for best accuracy. If your unit is equipped with the optional 99-Minute Digital Timers, please refer to the instructions on page 13.

- E. As soon as the product is finished baking, open the Oven Door and remove the product quickly. You can load more product into the Oven immediately, or close the Oven Door and allow the Oven to recover to the set baking temperature. Allowing the Oven a few minutes of recovery time results in a quicker and better bake.



CAUTION: STAND AWAY FROM THE FRONT OF THE OVEN WHEN OPENING THE OVEN DOOR AFTER A BAKING CYCLE TO AVOID EXPOSURE TO HEAT AND STEAM!

- F. When all baking is done for the day, set both the Temperature Control and the Power Switch to **OFF** and complete the daily *DRY-OUT PROCEDURE* outlined in the *MAINTENANCE AND CLEANING GUIDE*.

99-Minute Digital Timer (optional) - -

- A. The appropriate Power Switch [21 or 31] must be set to **ON** for that 99-Minute Digital Timer [24 or 36] to operate. The LEDs in the Timer Display Window should show **000**.
- B. Press either the UP or DOWN Time Set key to enter the desired time in minutes and seconds (**mm:ss**). The set time will appear in the Timer Display Window.
- C. Start the Timer by pressing the START/STOP key once. The Timer will count down one second at a time, flashing the remaining time in the Display Window. Pressing the START/STOP key a second time will halt the Timer; the remaining time is shown in the Display Window. This time can now be edited by using the Time Set keys. Pressing the START/STOP key one more time will restart the Timer at the currently displayed time.
- D. When the set time expires, the Display Window will flash 000 and a Buzzer Alarm [16] will sound for 30 seconds. The operator can silence the Alarm by pressing the START/STOP key. After the Alarm is turned **OFF** the Timer will automatically reset itself to the last entered time. Pressing the START/STOP key will restart the Timer.

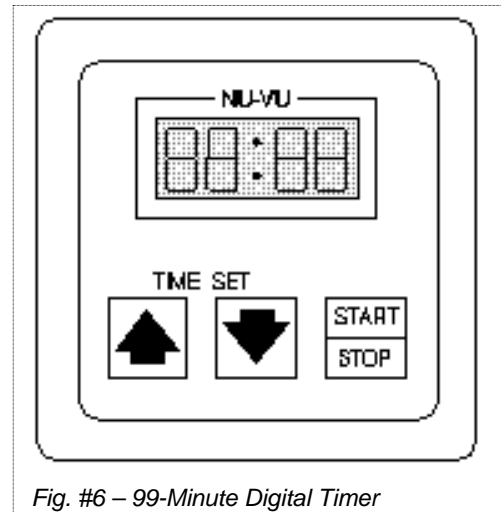


Fig. #6 – 99-Minute Digital Timer

Timer Operational Notes - -

- The entered time changes by 1 second with each “click” of a Time Set key. Holding either key down changes the time by *1-second* increments for the first 35 seconds of change, *10-second* increments for the next 8 minutes of change, and *1-minute* increments for the remainder of the change. The maximum setting is 99 minutes and 59 seconds (**99:59** in the Display Window). Releasing the Time Set key restores the 1-second increment of change.
- The time setting can only be edited when the Timer is not running.
- A Timer can be reset at any time during the run cycle by pressing the START/STOP key once and then either Time Set key. The first “click” will return the Timer to its original set time. The time setting can now be edited, or the Timer can be restarted from the original set point.
- This Digital Timer contains a short-term memory chip to prevent the loss of a Timer setting because of an accidental shut-down of the unit or a temporary power outage. The Timer will recall the last entered time setting when the unit is restarted.

MAINTENANCE AND CLEANING GUIDE

MAINTENANCE:

NU-VU® equipment is designed to last for years of useful service. Careful consideration is given in selecting components for durability, performance and ease of maintenance. For example, both the Oven Motor and Proofer Motor have sealed bearings and never need to be lubricated.

While NU-VU® equipment is designed for minimum care and maintenance, certain steps are required by the user for maximum equipment life and effectiveness:

- Proper installation of the equipment.
- Correct application and usage of the equipment.
- Dry-out Procedures performed daily.
- Thorough cleaning on a regular basis.

Manual-Fill Proofer Dry-Out Procedure - -

- A. Remove the Water Pan [64]. Empty and clean the Water Pan and set it aside.
- B. Wipe out any standing water in the bottom of the Proofer.
- C. Empty, clean, and replace the Drain Pan [77] beneath the Proofer.
- D. Set the Proofer Power Switch [31] to **ON**. Leave the Temperature Control [32] and Humidity Control [34] at their normal settings.
- E. Leave the Proofer Door [42] open by about 1 to 2 inches and allow the Proofer to run for about 20 to 30 minutes or until it is dried out.
- F. Set the Proofer Power Switch to **OFF**. Leave the Proofer Door slightly open (about 1 to 2 inches) while the Proofer is not in use.

AUTOMIST Proofer Dry-Out Procedure - -

- A. Wipe out any standing water in the bottom of the Proofer. You may need to remove the Element Cover [88] to do this.
- B. Empty, clean, and replace the Drain Pan [77] beneath the Proofer.
- C. Set the Proofer Power Switch [31] to **ON**. Leave the Temperature Control [32] at its normal setting but turn the Humidity Control [81] to **OFF**. You may also need to turn off the water supply if water continues to be sprayed into the Proofer Blower Wheel.
- D. Leave the Proofer Door [42] open by about 1 to 2 inches and allow the Proofer to run for about 20 to 30 minutes or until it is dried out.
- E. Set the Proofer Power Switch to **OFF**. Leave the Proofer Door slightly open (about 1 to 2 inches) while the Proofer is not in use.

Oven Dry-Out Procedure - -

- A. Set the Oven Temperature Control [22] and Oven Power Switch [21] to **OFF**.
- B. Leave the Oven Door [41] open about 1 to 2 inches. The residual baking heat will dry out any moisture that may be trapped in the insulation or other components of the Oven.
- C. Leave the Oven Door slightly open (about 1 to 2 inches) while the Oven is not in use.



IMPORTANT: THESE DRY-OUT PROCEDURES MUST BE CARRIED OUT DAILY TO HELP MAINTAIN YOUR EQUIPMENT IN THE BEST POSSIBLE CONDITION. THE REMOVAL OF RESIDUAL MOISTURE HELPS PREVENT DETERIORATION OF THE INSULATION, DAMAGE TO THE PROOFER ELEMENTS, SENSORS, MOTOR AND OTHER ELECTRICAL COMPONENTS, AND EXTENDS THE USEFUL LIFETIME OF YOUR NU-VU® EQUIPMENT!

CLEANING:

Your QB-3/9 should be cleaned daily and as soon as possible after a spill has occurred. It is essential to maintain a clean unit, especially if the public views the unit in your place of business. The following should be used for cleaning:

- A. The stainless steel exterior may be cleaned with any good stainless steel cleaner or polish, or with hot soapy water followed by a clear rinse if it is very soiled.
- B. The Doors can be removed for ease of cleaning by opening each Door until it is perpendicular to the face of the unit and then lifting the Door straight up. All glass should be cleaned with a glass-cleaning formula. Baked-on or excessive soiling can be removed with soap and hot water followed by a thorough rinse with fresh clean water. Severe deposits may be loosened and removed by soaking in a stronger soap and water solution.
- C. The Oven and Proofer interiors (including the Door Jamb) should be cleaned on a regular basis with mild soap and hot water followed by a thorough rinse with fresh clean water.

***WARNING:** Do not use oven cleaners in the Oven! Once in the side walls these cleaners are very difficult to remove, and may cause your oven to smoke or emit noxious fumes until they are rinsed out or burned away. You will need to completely disassemble the oven interior in order to flush out any remaining oven cleaner*

- D. The Proofer Element Cover should be removed on a regular basis when cleaning the interior of the Proofer. Clean the Element Cover with mild soap and hot water, rinse with clean fresh water, and wipe dry to prevent spotting.
- E. Proofers equipped with the AUTOMIST option should have the Water Injection Nozzle inspected and cleaned at regular intervals as determined by usage and water hardness. To clean the Water Injection Nozzle:
 1. Remove the Proofer Element Cover to expose the bottom of the Proofer compartment.
 2. Use a 7/16" wrench to remove the Nozzle from the fitting in front of the Blower Wheel. Carefully unscrew the filter screen from the back of the Nozzle and shake out the small brass diffuser plug from the inside.
 3. Soak all parts for 30 to 60 minutes in a small container of Lime-Away or other mild commercial mineral remover. Carefully brush and rinse all three parts.
 4. Reassemble the Nozzle, making sure that the slotted end of the brass diffuser plug is to the outside. Install the filter screen hand-tight only to avoid damaging the Nozzle.
 5. Install the Nozzle in the Proofer fitting and carefully tighten it with the 7/16" wrench. Replace the Element Cover.

***** CAUTION *****

NU-VU® DOES NOT RECOMMEND the use of any strong commercial or caustic product on this equipment. DO NOT allow any type of caustic cleaner to come into contact with any aluminum parts (such as Door Frames), the silicon rubber Door Gaskets, or any of the sealing compound in the Oven and Proofer seams and joints. These compounds may cause discoloration and degradation of these parts resulting in permanent damage. DO NOT use bleach or bleach compounds on any chromed parts; bleach will damage chrome plating.

NOTE:

NU-VU® has had very good results with a product called JIFFY CLEANER. For standard cleaning simply spray JIFFY on and wipe off. Heavily soiled areas may require a short period of soaking. This cleaner is available through NU-VU® (Part #51-0002) or through your local Rochester/Midland distributor or representative.

SERVICE AND REPLACEMENT GUIDE

Your QB-3/9 has been designed to be serviced quickly and easily. In fact, any individual who has average mechanical ability can do the work. Our Service Department is also available to you Monday through Friday from 7:00 a.m. to 5:00 p.m. (Central Standard Time) should you find yourself with a situation or problem other than what is outlined here. Call NU-VU® at (800) 338-9886 and ask for our Service Department to order replacement parts, ask questions, or offer comments.

This *SERVICE AND REPLACEMENT GUIDE* has been prepared to cover normal service problems. If this "trouble-shooting" information does not provide a solution for your particular problem we ask that you call us for direct assistance. Calling our Service Department before calling in a repair technician can usually save you both time and unnecessary expense. We want to do everything we can to minimize your "down-time".

You may need to remove an Access Panel for servicing. **DO NOT** allow any Access Panels to drop. When work on the component is finished replace the Panel with care, making sure that all wires are properly placed and not pulled or pinched. If more than one component is being worked on try to remove only one component at a time.

The Illustrations used throughout this OWNER'S MANUAL are numbered in their lower left-hand corners. A complete listing of these Illustrations along with their page numbers can be found at the beginning of this manual on page v.

A REPLACEMENT PARTS LIST can be found starting on page 23. These parts are listed by Reference Number. The part Reference Numbers are circled ○ in the illustrations and bracketed [] in the text. Please note that some of the parts listed are not replaceable except as part of another assembly, but are listed for reference and identification only.

Wiring schematics are included at the end of this OWNER'S MANUAL for reference only. Please contact our Service Department at (800) 338-9886, for more detailed and current information.

*** NOTICE ***

NATIONAL SANITATION FOUNDATION (NSF) GUIDELINES REQUIRE THAT ALL INTERIOR PARTS BE REMOVABLE WITHOUT THE USE OF TOOLS. THIS EQUIPMENT HAS BEEN FACTORY ASSEMBLED TO SAFELY ACCOMMODATE ROUGH HANDLING THROUGH SHIPMENT AND ORIGINAL INSTALLATION. AFTER ANY MAINTENANCE, CLEANING OR REQUIRED SERVICE WORK THE INTERIOR SHEET-METAL PARTS SHOULD BE REASSEMBLED AND FASTENED HAND-TIGHT ONLY, BUT STILL REMAIN TIGHT ENOUGH TO PREVENT ANY RATTLE OR MOVEMENT OF PARTS.

TEMPERATURE CONTROL, How To Adjust:

PLEASE CALL THE NU-VU® SERVICE DEPARTMENT AT (800) 338-9886 BEFORE ATTEMPTING TO ADJUST THE TEMPERATURE CONTROL!

- A. Place a reliable thermometer (or the thermocouple of a test instrument) on a pan in the center of the Oven or Proofer. Turn the Oven or Proofer **ON** and set the Temperature Control [22 or 32] to its normal operational setting. Allow the equipment to reach a stable operating temperature.
- B. Compare the Temperature Control setting to the reading on the test instrument. If there is a difference of more than 25° in the Oven or 15° in the Proofer you should call the NU-VU® Service Department for advice on adjusting or replacing components.

- C. If the difference is less than 25° in the Oven or 15° in the Proofer, a simple adjustment of the dial may

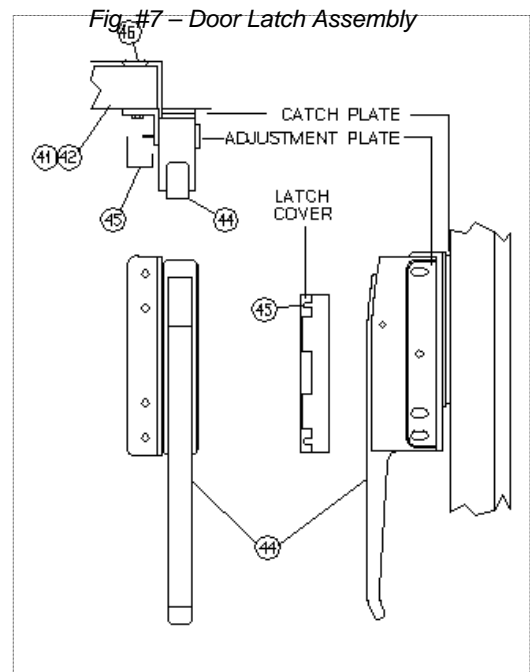
solve the problem:

1. Remove the Knob of the Temperature Control by pulling it straight out from the face of the Control Panel.
 2. Hold the black plastic Knob securely with the back of the clear plastic dial toward you. Use a #1 Phillips screwdriver to loosen these screws from 3/4 to 1 full turn, but *do not remove them!*
 3. To increase the temperature inside the Oven or Proofer, carefully rotate the index line on the clear dial clockwise. Each "click" of adjustment is equal to approximately 5° of temperature change in the Oven and 2° of temperature change in the Proofer. To decrease the inside temperature rotate the clear dial counter-clockwise.
 4. Gently tighten the dial screws and install the Control Knob. Check the Control setting against the test instrument and repeat this procedure if necessary.
- D. If this procedure fails to bring the temperature reading within the desired specs call NU-VU® service department at 800-338-9886.

DOOR LATCH, How To Adjust:

Determine if the Oven Door [41] or Proofer Door [42] is fitting too loose (it will leak moisture and heated air past the Gasket) or too tight (it will not close properly, or will "pop" open unexpectedly). If it is too loose the Door Latch [44] must be adjusted OUT (away from the unit); if it is too tight the Door Latch must be adjusted IN (towards the unit). Please proceed as follows:

- A. Loosen the two acorn nuts inside the Latch Cover [45] with a 3/8" box wrench. Pull the Latch Cover straight out from the Door to remove it, and then remove the acorn nuts.
- B. Open the Door and take careful notice of the adjustment plate position against the body of the Door Latch.
- C. Hold the adjustment plate against the body of the Door Latch with one hand while you loosen the three mounting screws with the other hand. Back the screws out approximately three full turns.
- D. CAREFULLY move the Door Latch body IN or OUT under the adjustment plate *one notch at a time*. Make sure the Door Latch stays straight up and down, and tighten the mounting screws. Test the Door for proper closing and sealing (refer to the *DOOR TEST PROCEDURE*).
- E. Repeat steps "C" and "D" if you are not satisfied with the Door adjustment. If the Door tests as satisfactory make sure the three mounting screws are tightened securely.
- F. Install the acorn nuts on the ends of the top and bottom Door Latch screws. Turn the nuts on all the way until they just contact the back side of the latch bracket, then loosen them by 1½ to 2 full turns. Install the Latch Cover and tighten the acorn nuts lightly to hold the Latch Cover in place.



DOOR TEST PROCEDURE:

- A. Cut one or two strips of paper approximately 1" wide and 8" to 10" long.
- B. Open the Door slightly, insert a strip of paper between the Gasket [46] and Door Jamb and close the Door.
- C. Slowly pull the paper strip out. You should feel some resistance as you pull the strip from between the Gasket and Door Jamb of a properly adjusted Door. Test the fit at regular 2" to

- 3" intervals around the entire Door.
1. If you feel **NO** resistance at a particular spot the Door is too loose, you have found a weak or damaged spot in the Door Gasket or the Door Jamb has been bent in.
 2. If you feel **HEAVY** resistance at a particular spot the Door is too tight or the Door Jamb has been bent out.

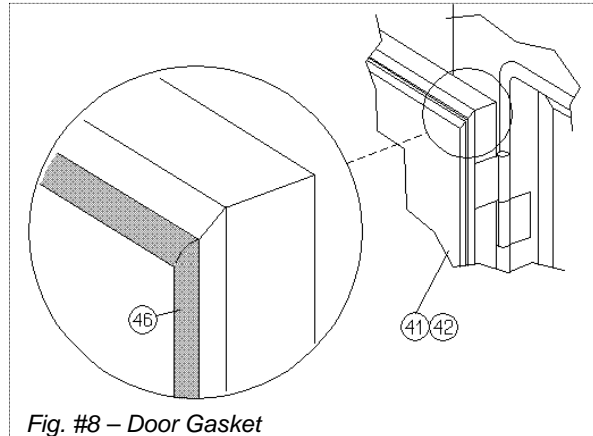


Fig. #8 – Door Gasket

DOOR GASKET, How To Replace:



Follow these instructions to correctly and easily replace your Door Gasket with minimal problems. If you have any problems or questions please call the NU-VU® Service Department at (800) 338-9886 Monday through Friday from 7:00 a.m. until 5:00 p.m. for assistance.

IMPORTANT: DO NOT DISASSEMBLE THE DOOR FRAME WHEN REPAIRING OR REPLACING THE DOOR GASKET!

Replacing the Oven Door Gasket - -

- A. Remove all pieces of the old Gasket. Thoroughly clean the Door frame in the area of the new gasket installation. Remove any old sealant and any baked-on deposits.
- B. Replacement Gasket for the Oven Door is supplied to you as a single length of high-temperature material. This Gasket must be cut to lengths that slightly overlap the sides of the Door frame.
- C. Put a small amount of soap water into and around the slot that the new Gasket will fit into (a small trigger spray bottle works well). This step is optional but will help in the installation.
- D. Position the new Gasket over the slot, allowing the ends to extend past the end of the slot. Press the mounting flange down into the slot on the Door frame. Use a roller tool to force the mounting flange into the slot by working the tool back and forth along the Gasket. Make sure the Gasket mounting flange is completely fitted into the slot and that the Gasket is free to slide back and forth in the slot.



IMPORTANT: DO NOT STRETCH OR PULL ON THE GASKET DURING THE INSTALLATION PROCESS. THIS WILL LATER CAUSE THE TRIMMED CORNERS TO SEPARATE AND PULL APART!

- E. Use a sharp knife or a single-edged razor blade to cut the ends of the Gasket at a 45° angle (you can use the mitered corner joint on the Door as an angle guide). Cut the Gasket about 1/4" longer than the required length and work the excess back into the slot. This extra Gasket will help to create a nice tight corner joint, and allows for any follow-up trimming that may be necessary.
- F. Work your way around the entire Door (or the section of the Door having the Gasket replaced). Make sure the Gasket is just tight into the corners. A bulging joint or pucker along the Gasket indicates a Gasket section that is cut too long. Joints that pull apart indicate that one or more gasket sections are cut too short.



IMPORTANT: MAKE SURE THAT THE GASKET AND DOOR FRAME ARE BOTH COMPLETELY CLEAN AND DRY BEFORE APPLYING ANY SEALANT!

- G. Seal the corner joints after the entire Gasket is properly fitted. Pull the joints apart only enough to put sealant on all of the *cut edges only*. Allow the Gasket joint to come together. Smooth out any

excess sealant to form a smooth surface on the face of the Gasket. Add more sealant to any spots as necessary and smooth them down.

- H. A quality sealant will be dry to the touch and tack-free in one to two hours after application. However, it will not be completely cured until six to eight hours later. We recommend that you wait until after your sealant is completely cured before using your Oven.



WARNING: SOME SEALANTS GIVE OFF ACIDIC FUMES AS THEY CURE. THESE FUMES MAY CAUSE IRRITATION TO THE EYES AND/OR NASAL PASSAGES. USE CAUTION WHEN OPENING YOUR UNIT AFTER WAITING FOR ANY FRESH SEALANT TO SET UP AND CURE!

Replacing the Proofer Door Gasket - -

- A. Remove all pieces of the old Gasket. Thoroughly clean the Door frame in preparation for the new installation. Remove any old sealant, bits of Gasket and baked-on deposits.
- B. The replacement Proofer Door Gasket is supplied as a single formed piece of low-temperature material. This material is not suited for use in a high-temperature application, and should never be used on an Oven Door.
- C. Place the formed Gasket over the slot in the face of the Door frame and press it firmly into place. A small roller tool will aid in fully seating the Gasket in the mounting slot.
- D. The replacement Gasket requires nothing further. You may begin using your Proofer as soon as the Gasket has been installed.

NU-VU® EQUIPMENT WARRANTY

NU-VU® products are warranted against defects in workmanship and materials from the original date of shipment only. NU-VU® does not warrant against any damage that may occur during shipment or storage of the equipment. Any claim for such damage must be filed against the carrier or storage company. No other express warranty, written or oral, applies. No person is authorized to give any other warranty or assume any other liability on behalf of NU-VU®, except by written statement from an officer of NU-VU®.

Your NU-VU® equipment warranty is limited to the following time periods for the original owner only:

	<u>PARTS</u>	<u>LABOR</u>
Inside the United States	12 Months	12 Months
All areas outside the United States	12 Months	12 Months

These time limits will apply in all cases unless prior arrangements have been made and agreed to in writing.

The NU-VU® equipment warranty is composed of the following:

PARTS:

This limited warranty covers certain electrical, electronic and mechanical parts for the time periods shown above with the exception of those items detailed under Warranty Limitations. Customers who maintain an open account may purchase against their account. MasterCard, Visa and American Express credit cards are also accepted.

The return of defective parts is required. The return of a defective part or component must be made prior to the issuance of a credit on an open account. If a part that is returned tests satisfactory in the NU-VU® factory or at an authorized NU-VU® dealer or service agency, NU-VU® may withhold issuing credit. Replacement parts will be warranted for a period of *six (6) months* provided they are installed and used in a manner authorized by NU-VU®.

LABOR:

We require that you call our NU-VU® Service Department at (800) 338-9886 for service authorization BEFORE you call any service agency if you wish to claim a labor expense under this warranty. We may be able to solve your problem over the telephone, or we will schedule a warranty service call by a reliable service agency in your area.

This warranty covers the replacement and installation of parts and components which are included under **PARTS** for the time period listed above. This coverage is limited to the normal mileage allowance for a maximum travel radius of up to fifty (50) miles, and the normal labor rate times the allowable hours for performing the work as set forth in the following listing:

STANDARD TIME ALLOWANCES FOR WARRANTY REPLACEMENTS

<u>Change performed</u>	<u>Change time</u>	<u>Test time</u>	<u>Total time</u>
Oven Heating Element	1 hr.	½ hr.	1½ hr.
Oven Motor/Rebalance Fan	1 hr.	½ hr.	1½ hr.
Solid State Control	½ hr.	½ hr.	1 hr.
Control Sensor	½ hr.	½ hr.	1 hr.
Proofer Heating Element	½ hr.	½ hr.	1 hr.
Contactors	½ hr.	5 min.	½ hr.
Proofer Motor	½ hr.	5 min.	½ hr.
Power Switch	¼ hr.	5 min.	¼ hr.
Indicator Light	¼ hr.	5 min.	¼ hr.

These times are based on servicing a unit that has been installed with allowance made for Access Panels on the unit. If the unit is built into a wall that makes servicing very difficult or impossible without removing part of the counter, wall, trim, etc., the extra time for gaining access shall be charged to the owner of the unit. NU-VU® has determined that the listed times, which are based on the period necessary for a trained service person to perform the work noted, are fair and reasonable. If a problem is not diagnosed within a half-hour, the service person must contact the NU-VU® Service Department via telephone. Additional time for problem solving will not be allowed unless this procedure is followed. An appointment for servicing a unit should be set up since time will not be allowed for waiting to service a unit. Unless the service person justifies extra time for performing the work noted, charges for work performed by the service person in excess of the allowed time shall either be billed to the owner of the equipment or denied.



IMPORTANT: NU-VU WILL NOT PAY FOR ANY SERVICE CALLS AS WARRANTY WORK IF A NU-VU® AUTHORIZED SERVICE AGENCY DETERMINES THAT YOUR EQUIPMENT IS SET UP AND OPERATING PROPERLY!

WARRANTY LIMITATIONS:

NU-VU® will pay for parts and labor under warranty if there is a defective component, but not for:

- Normal operational wear and tear on the following parts -
 - ┌ Light bulbs
 - ┌ Door gaskets
 - ┌ Door handles and catches
 - ┌ Fuses
- Damage attributable to customer abuse, including -
 - ┌ Proofer water pan allowed to run dry and burn.
 - ┌ Proofer fan motor damaged from not following outlined Dry-Out Procedure.
 - ┌ Lack of regular cleaning or maintenance.
- Power supply problems, including -
 - ┌ Insufficient or incorrect voltage.
 - ┌ Damage to electrical components caused by a power surge or spike.
 - ┌ Incorrect installation (i.e., equipment not supplied with separate neutral or ground as required, or incorrect location of high-voltage power leg for 240-volt 3-phase units).
 - ┌ Damage to electrical components resulting from use of an incorrect power supply cord or circuit breaker.
- Operational problems resulting from customer's failure to follow established procedures outlined in the Owner's Manual.
- A service call if nothing is found to be wrong (any returned parts work as per spec when tested).
- Recalibration of temperature and humidity controls (all controls are carefully calibrated and tested at our facility before shipment).
- Any equipment moved from the place of original installation unless NU-VU® agrees in writing to continue the warranty after the relocation.
- Ongoing operational adjustments due to changing environmental conditions or normal wear and tear.
- Any overtime charges. NU-VU® will pay straight time only for any work performed on NU-VU® equipment.

Products must be installed and maintained in accordance with NU-VU® instructions. Users are responsible for the suitability of the products to their application. There is no warranty against damage resulting from accident, abuse, alteration, misapplication, inadequate storage prior to installation, or improper specification or other operating conditions beyond our immediate control. Claims against carrier damage in transit must be filed by the buyer; therefore, the buyer **must inspect** the product immediately upon receipt.

***THIS WARRANTY DOES NOT COVER ADJUSTMENTS
DUE TO NORMAL ON-GOING USE OF THE UNIT!!!***

PARTS RETURN PROCEDURE AND CONDITIONS:

The following procedure shall be followed for the return of parts to the factory for credit consideration:

- All parts received by NU-VU® must have a completed RETURN AUTHORIZATION FORM as supplied by NU-VU® with the replacement part.
- Package all return parts securely so that in-transit damage cannot occur.
- Prepay shipment. Any parts returned collect will be refused by our receiving department. Credit will be considered on proper returns only.
- As soon as parts are tested and confirmed to be defective credit will be issued against them.
- If the engineering test shows the component is not defective and is in good working condition it may be returned to you along with your request for payment.

Please use this space to record the Model Number and complete 12-digit Serial Number from the nameplate on the side of your NU-VU® equipment. You will need both of these numbers if you ever need to contact our Service Department concerning adjustments, replacement parts or other service.

Model Number: Q B - 3 / 9

Serial Number: _____

REPLACEMENT PARTS LIST

(QB-3/9)

Reference #	Description	Replacement Part #
ELECTRICAL COMPONENTS - -		
1	Power Terminal Block	50-0237
2	Ground Lug	50-1329
3	Contactor:	
	120-volt coil, 40-amp (US)	66-2013
	240-volt coil, 40-amp (non-US).....	66-2017
4	Oven Temperature Control Circuit Board	252-5008
5	Oven Temperature Control Sensor	252-3001
6	Oven Heating Element:	
	208-volt, 2000-watt	251-1005
	240-volt, 2000-watt	251-1002
7	Oven Motor Assy. 120 V	250-1002
	Oven Motor Assy. 240 V	250-1004
8	Proofer Temperature Control Circuit Board	252-4001
9	Proofer Temperature Control Sensor	252-3001
10	Proofer Humidity Control Circuit Board	252-4001
11	Proofer Humidity Control Sensor	252-3001
12	Proofer Heat Element, 120-volt, 255-watt Manual Fill	60-0002-B
13	Proofer Humidity Element Assembly Manual Fill:	
	120-volt, 650-watt (US)	251-2001
	240-volt, 650-watt (non-US)	251-2002
14	Proofer Motor:	
	60 Hz (US)	250-2004
	50 Hz (non-US)	250-2012
15	Door Micro Switch	252-2004
16	Buzzer Alarm:.....	252-1022
17	Thermal Overload Safety (425°F).....	66-1114
18	Cooling Fan:	
	(US)	250-3001
	(non-US)	66-9013
19	Light Fixture (Prior to 10/01/13):	
	Socket	50-1020
	Bulb:	
	120-volt, 40-watt (US)	50-0695
	240-volt, 50-watt (non-US).....	50-0733
	Light fixture kit Oven (Socket, Globe, and Gasket)	252-7004
	Light fixture kit Proofer (Socket, Globe, and Gasket)	252-7006
	Light Fixture (10/01/13 and Later):	
	Glass Globe Cover	50-1447
	Primary Gasket.....	112-0318-A
	Bulb:	
	12-volt, 10-watt	50-1412
	Light fixture kit (Socket, Bulb, Globe, and Gasket)	112-9175
	12v Light Transformer.....	112-9184

OVEN CONTROL COMPONENTS - -

21	Oven Power Switch	50-1355
	240V	66-3008
22	Temperature Control, 425°F	252-5008
	Control Knob	253-2003
23	Temperature Control Indicator Light:	
	120-volt (US)	50-0029-A
	240-volt (non-US)	50-0030
24	Oven Timer:	
	60-Minute Mechanical.....	252-1004
	220V 60 Hz	252-1019
	230V 50 Hz.....	252-1020
	Timer Knob	253-2002
	99-Minute Digital (optional)	66-8133
25	Thermometer, 450° (optional)	50-1309

PROOFER CONTROL COMPONENTS - -

31	Proofer Power Switch 120V	50-1355
	240V	66-3008
32	Temperature Control	252-4001
	Control Knob	253-2003
33	Temperature Control Indicator Light:	
	120-volt (US)	50-0029-A
	240-volt (non-US).....	50-0030
34	Humidity Control	252-4001
	Control Knob	253-2003
35	Humidity Control Indicator Light:	
	120-volt (US)	50-0029
	240-volt (non-US)	50-0030
36	Proofer Timer:	
	60-Minute Mechanical	252-1004
	220V 60 Hz.....	252-1019
	230V 50 Hz.....	252-1020
	Timer Knob	253-2002
	99-Minute Digital (optional).....	66-8133
37	Thermometer, 120° (optional)	50-1308

DOOR COMPONENTS - -

41	Oven Door (without hardware):	
	Hinged Left	112-9159
	Hinged Right	112-9151
42	Proofer Door (without hardware):	
	Hinged Left	21-1950
	Hinged Right	21-1950
43	Door Hinge:	
	Left side	254-3011
	Right side	254-3012
44	Latch/Catch Assembly (Proofer)	254-2025
	Latch/Catch Assembly (Oven)	254-2026
46	Gasket:	
	Oven Door.....	254-1012
	Proofer Door	70-0358-A

PROOFER INTERIOR COMPONENTS - - (Manual fill proofer only)

64	Water Pan	50-0074
65	Shelf	112-0059-B

GENERAL EXTERIOR COMPONENTS - -

75	Caster	50-0058
77	Drain Pan	50-0547

AUTOMIST COMPONENTS - -

81	Humidity Control	252-3003
	Control Knob	253-2003
82	Humidity Control Indicator Light:	
	120-volt (US)	50-0029-A
	240-volt (non-US)	50-0030
83	Repeat Cycle Timer:	
	120-volt (US)	66-8012
	240-volt (non-US)	66-8065
84	Water Solenoid Valve:	
	120-volt (US)	50-0308-1
	240-volt (non-US)	50-0307-1
85	Humidity Injection Nozzle	31-0454
86	Automist Proofer Motor Assy 120V.	250-2010
	240V	250-2015
87	Heat Element, 120-volt 600-watt	60-0001-1-B

