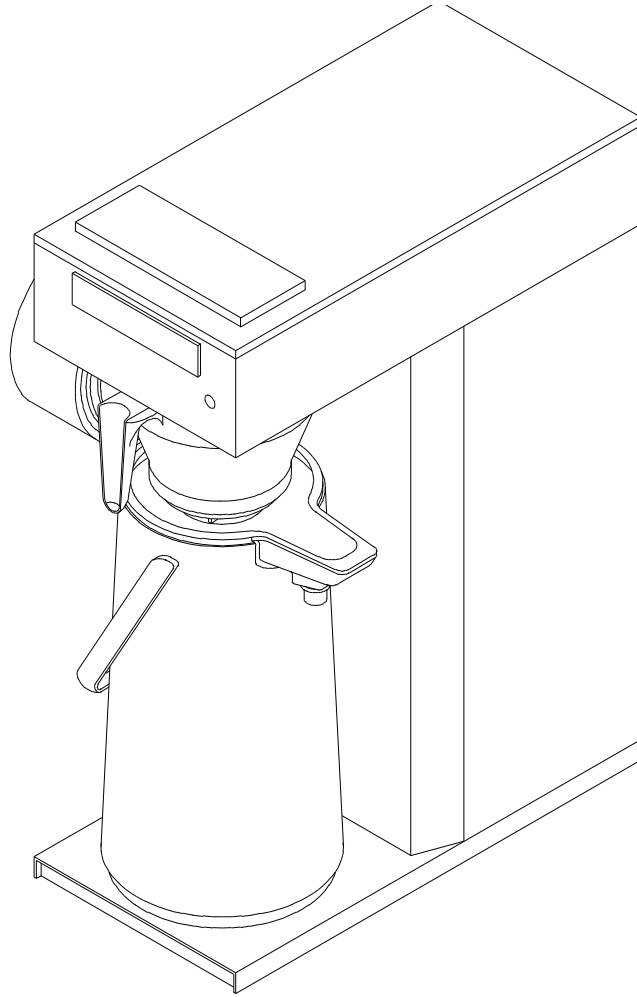


NEWCO ENTERPRISES, INC.



AKH-AP POUR OVER COFFEE BREWER INSTALLATION & OPERATION INSTRUCTIONS

* 1775 WATTS 13 AMPS @ 120 VOLTS

* 8-1/2" WIDE

* 16-1/2" DEEP

* 22-7/8" HIGH

INSTALLATION INSTRUCTIONS

WARNING - Read and follow installation instructions before plugging or wiring in machine to electrical circuit. Warranty will be void if unit is connected to any voltage other than that listed on the name plate.

- 1) Plug or wire brewer to appropriate voltage circuit as indicated on serial tag. Turn master switch, located on rear of brewer, to the on position.
- 2) For pump style airpots, remove the pump stem. Place the empty dispenser into position below the brewbasket.
- 3) Raise the top evaporation cover and pour ONE pour pitcher of water through the pour-in screen into basin.
- 4) The brewer will begin to brew as the water level in the basin rises and activates the internal float switch. This first pot will be a few ounces short due to some water retention in the system.
- 5) Machine is now ready to use and will yield a full pot on following brew cycles.

WARRANTY

Newco Enterprises, Inc. coffee brewers are warranted against defects in workmanship or materials, under normal use, for 90 days from the date of purchase. Brewer parts are warranted against defect for 12 months from date of purchase.

Liability in all events is limited to the purchase price paid and liability under the aforesaid warranty is limited to replacing or repairing any part or parts which are defective in material or workmanship, and returned to our factory, shipping cost prepaid. No warranty expressed or implied, other than the aforesaid is made or authorized by Newco enterprises, Inc.

Prompt disposition will be made if item proves to be defective, within warranty. Before returning any item, write or call Newco Enterprises, Inc., giving model number, serial number, and date of purchase, and describe the nature of the defect.

COFFEE PREPARATION PROCEDURES

- 1) Place filter into brew basket.
- 2) Put the proper amount of coffee into the filter.
- 3) Slide the brew basket into holder.
- 4) For pump style airpots, remove the pump stem. Place the empty dispenser into position below the brewbasket.
- 5) Raise the top evaporation cover and pour ONE pour pitcher of water through the pour-in screen into basin.
- 6) The brewer will begin to brew as the water level in the basin rises and activates the internal float switch. The brew cycle may be canceled by turning the master switch located on the rear of the brewer to the off position. NOTE: Never pour hot water into the brewer. This brewer features a European style brewing system which heats only the water for coffee when you pour it into the brewer. This type of system does not have a tank to store hot water. Do not overfill unit by pouring in more than one decanter of water at a time.
- 7) The heating light on the front of the brewer indicates the operation of the internal brewing mechanism. Hot water will be delivered through the sprayhead. This distributes the hot water evenly over the coffee bed within the brew basket. The coffee brew will drain from the brew basket into the decanter below.
- 8) The unique thermal brew system takes a little longer to brew than tank systems, which allow the stored water to become stale, but the result is better tasting and hotter coffee.
- 9) To clean brew basket simply remove from brew rails and dump filter into waste basket. The brewing process, as described above, can now be started again.

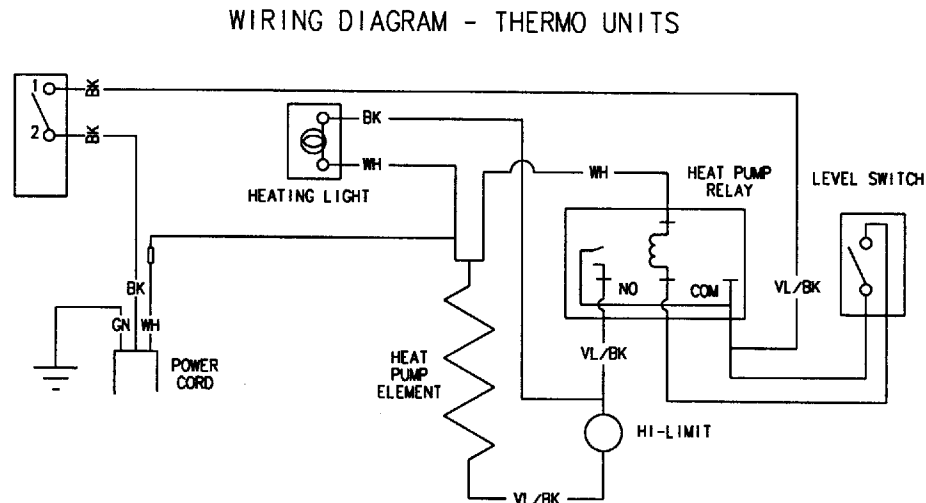
If unit will not brew, check the following before calling for service:

Is it plugged in?

Is there water in the receiving pan? Water activates the float switch, allowing the unit to brew.

Is the master switch located on the rear of the brewer in the ON position?

WIRING SCHEMATIC



Newco Enterprises, Inc. * 1735 S. River Rd. * St. Charles, MO 63303 * 1-800-325-7867