



WELLS BLOOMFIELD  
A Division of Carrier Commercial Refrigeration, Inc.  
2 ERIK CIRCLE, P. O. Box 280 Verdi, NV 89439  
telephone: 888-492-2782  
fax: 888-492-2783  
[www.wellsbloomfield.com](http://www.wellsbloomfield.com)

# PARTS LIST

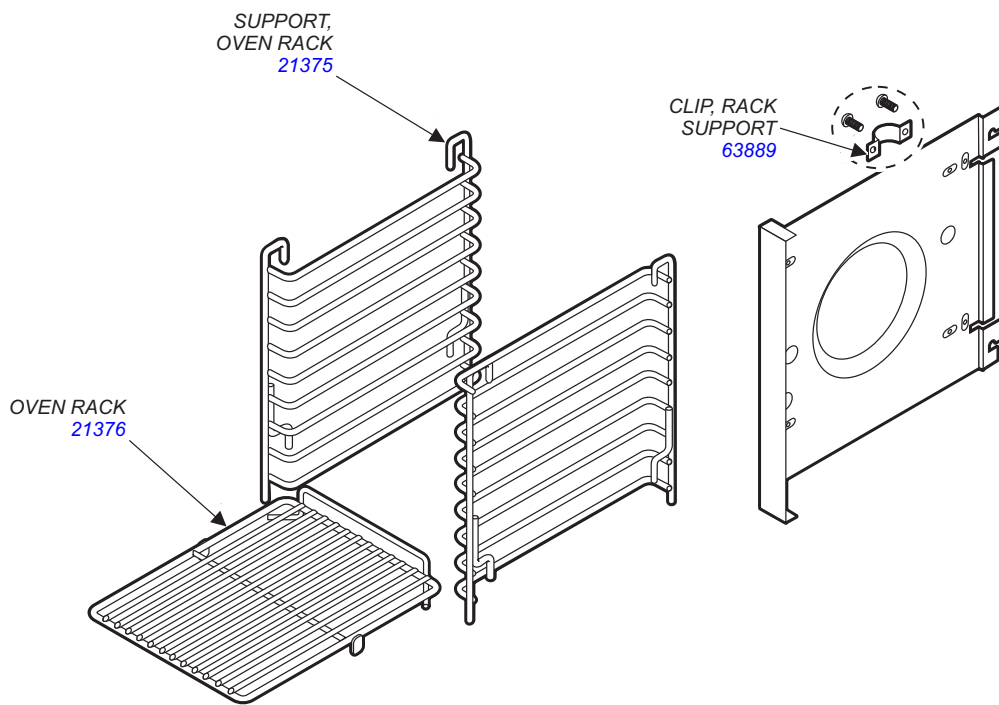
## SERVICE PARTS LIST OC-4TC Convection Oven with Hotplate Cooktop and OC-4HC Convection Oven with Ceramic Hotplate Cooktop

### CONTENTS

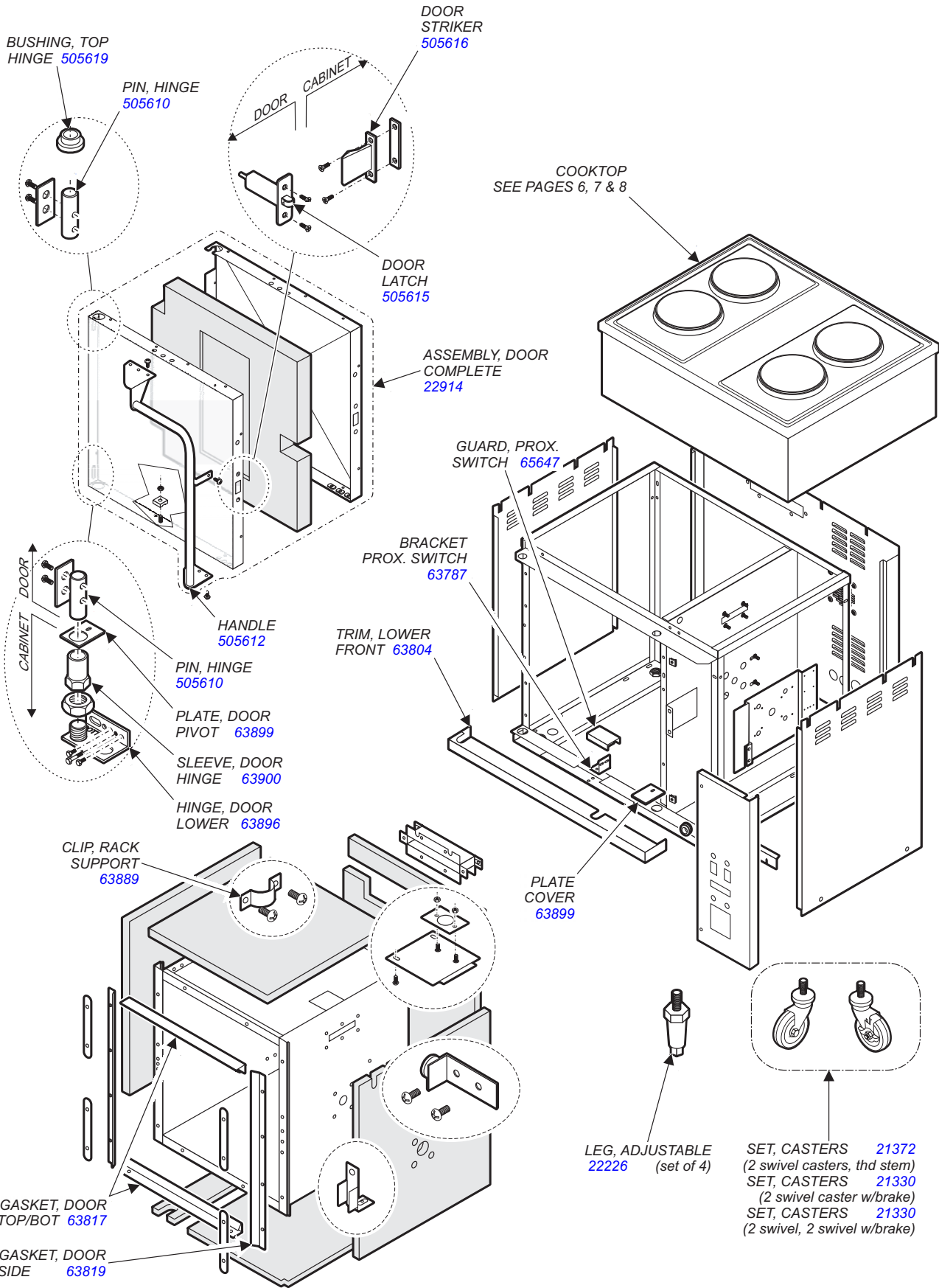
Description	page
Parts List .....	2
Removable Components .....	3
Cabinet Components .....	4
Electrical Components .....	5
Cooktop Components	
Spiral Element .....	6
Solid (French Plate) Element .....	7
Ceramic Element .....	8



**OC-4 REMOVABLE COMPONENTS**

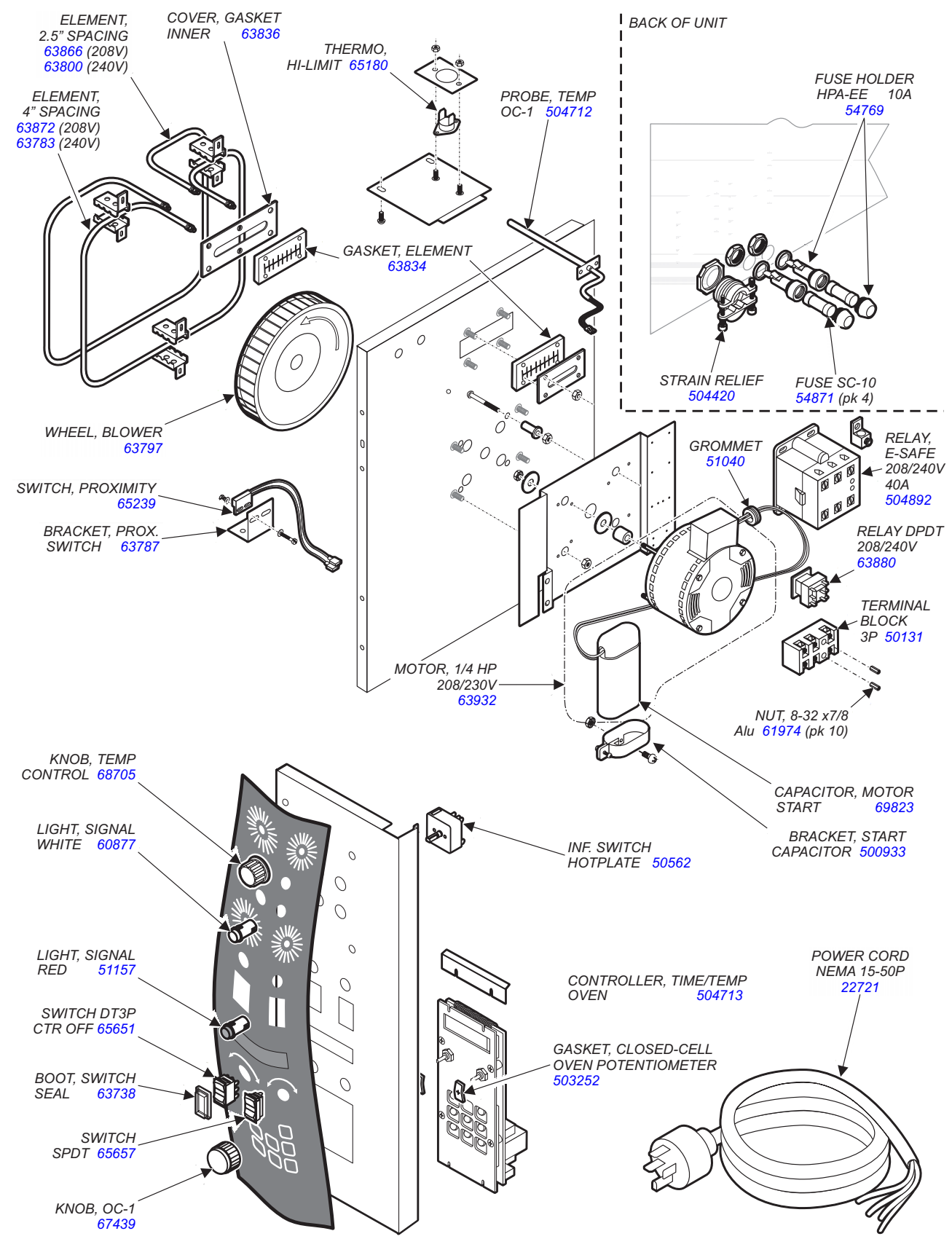


# OC-4 CABINET COMPONENTS



PL273 Parts List for Convection Oven OC-4TC & OC-4HC

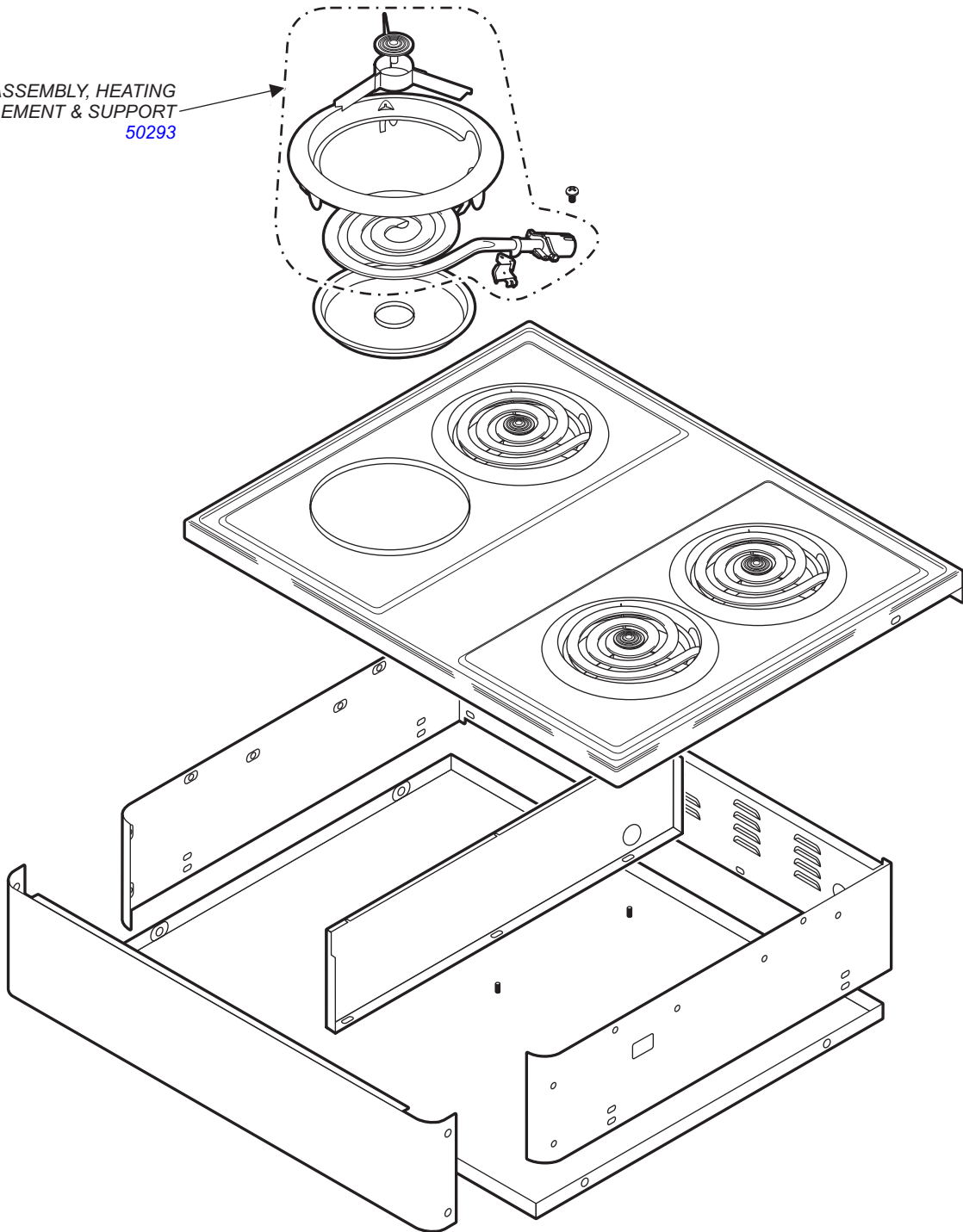
# OC-4 ELECTRICAL COMPONENTS



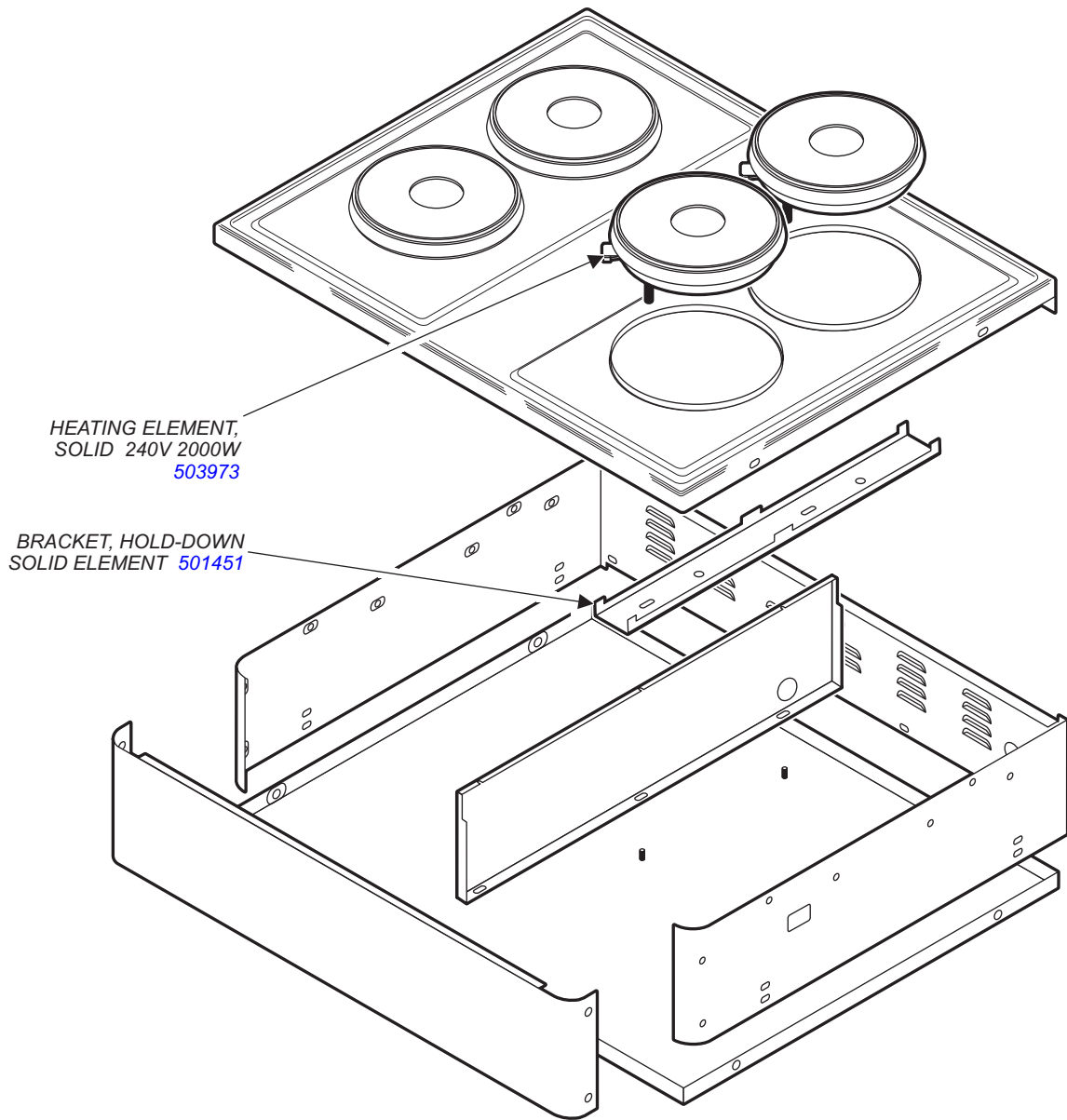
PL273 Parts List for Convection Oven OC-4TC & OC-4HC

**OC-4 SPIRAL ELEMENT COOKTOP COMPONENTS**

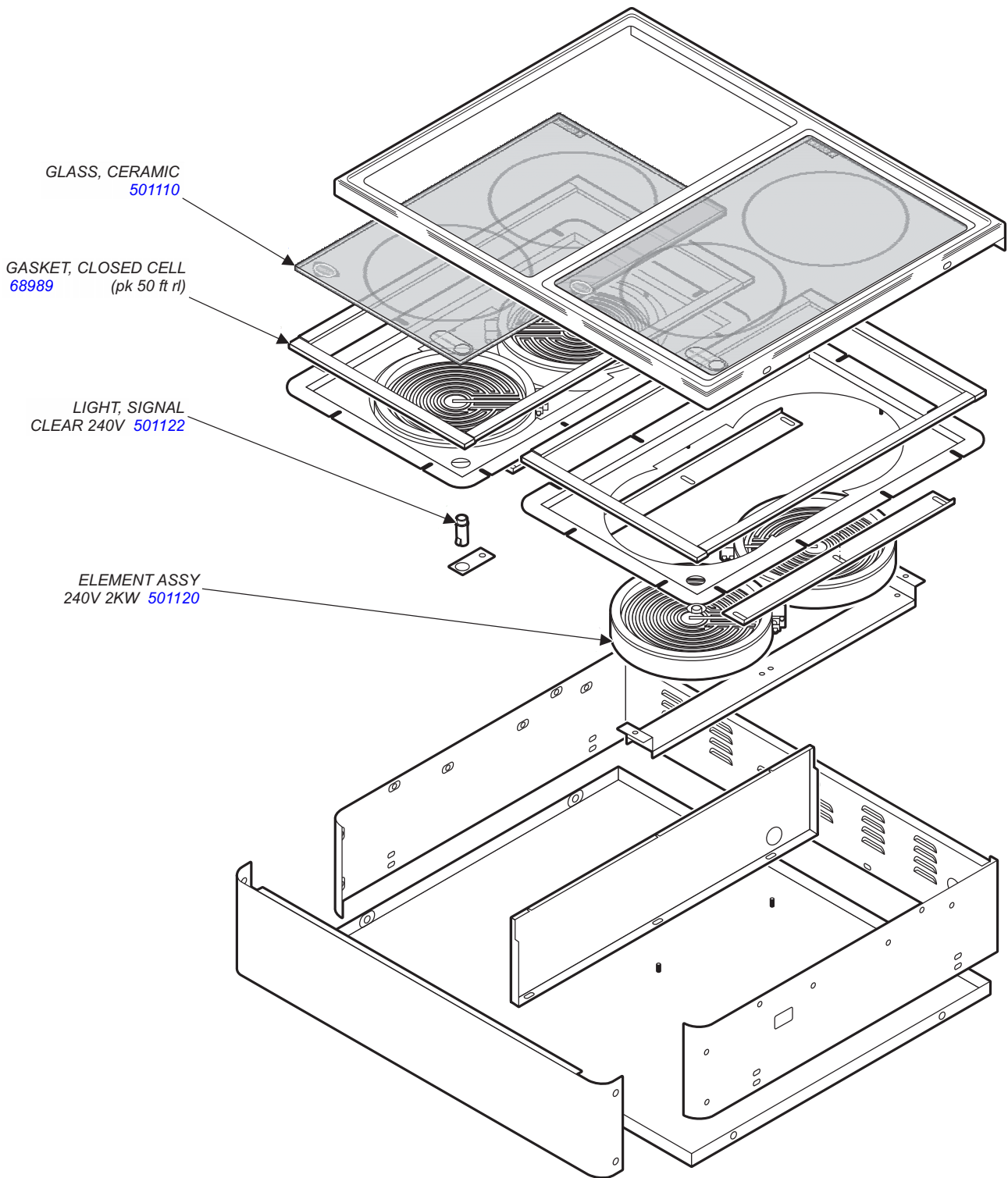
ASSEMBLY, HEATING  
ELEMENT & SUPPORT  
50293



**OC-4 SOLID (FRENCH PLATE ELEMENT COOKTOP COMPONENTS)**



# OC-4 CERAMIC ELEMENT COOKTOP COMPONENTS



PL273 Parts List for Convection Oven OC-4TC & OC-4HC

**NOTES**

PL273 Parts List for Convection Oven OC-4TC & OC-4HC



*Wells Manufacturing proudly supports CFESA  
Commercial Food Equipment Service Association*

**SERVICE TRAINING - QUALITY SERVICE**



**CUSTOMER SATISFACTION**



**WELLS**

WELLS BLOOMFIELD  
A Division of Carrier Commercial Refrigeration, Inc.  
2 ERIK CIRCLE, P. O. Box 280 Verdi, NV 89439  
telephone: 888-492-2782  
fax: 888-492-2783  
[www.wellsbloomfield.com](http://www.wellsbloomfield.com)

PRINTED IN UNITED STATES OF AMERICA