



## ***Aurora Back Bar Coolers***

*Models BB-CN-0012E-SH, 0012E-GH, 0020E-SH, 0020E-GH*

*Items 59057, 59058, 59061, 59062*

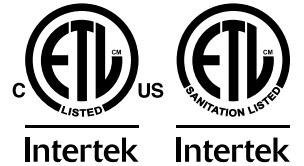
### ***Instruction Manual***



**STOP**  
**DO NOT RETURN**  
**THIS PRODUCT TO THE STORE**

For questions or assistance with this product call OMCAN Toll Free: 1 800 465 0234 Customer Service or visit the Support section of [www.omcan.com](http://www.omcan.com)

*Revised - 02/10/2023*



Toll Free: 1-800-465-0234  
Fax: 905-607-0234  
Email: [service@omcan.com](mailto:service@omcan.com)  
[www.omcan.com](http://www.omcan.com)



# ***Table of Contents***

Model BB-CN-0012E-SH / Model BB-CN-0012E-GH  
Model BB-CN-0020E-SH / Model BB-CN-0020E-GH

---

<b>Section</b>	<b>Page</b>
Disclaimer -----	3
General Information -----	4 - 5
Safety and Warranty -----	5 - 7
Technical Specifications -----	8 - 9
Installation -----	9 - 10
Maintenance -----	10 - 11
Troubleshooting -----	11 - <a href="#">12</a>
Parts Breakdown -----	13 - 20
Electrical Schematics -----	21
Notes -----	22
Warranty Registration -----	23

## ***Disclaimer***

---

***OMCAN IS NOT RESPONSIBLE FOR ANY DAMAGES DUE TO WATER LEAKS. WARRANTY FOR WATER LEAKS IS VOID IF THE AMBIENT ROOM TEMPERATURE EXCEEDS 75°F AND 55% RELATIVE HUMIDITY, AND THE APPLIANCE DRAIN IS NOT CONNECTED DIRECTLY TO A FLOOR DRAIN.***

---

***OMCAN N'EST PAS RESPONSABLE DES DOMMAGES DUS AUX FUITES D'EAU. LA GARANTIE POUR LES FUITES D'EAU EST ANNULÉE SI LA TEMPÉRATURE AMBIANTE DE LA PIÈCE DÉPASSE 75°F ET 55% D'HUMIDITÉ RELATIVE, ET SI LE DRAIN DE L'APPAREIL N'EST PAS RACCORDÉ DIRECTEMENT À UN DRAIN DE PLANCHER.***

---

***OMCAN NO SE HACE RESPONSABLE DE LOS DAÑOS CAUSADOS POR FUGAS DE AGUA. LA GARANTÍA POR FUGAS DE AGUA QUEDA ANULADA SI LA TEMPERATURA AMBIENTE SUPERA LOS 75°F Y EL 55% DE HUMEDAD RELATIVA, Y EL DESAGÜE DEL APARATO NO ESTÁ CONECTADO DIRECTAMENTE A UN DESAGÜE DE PISO.***

# General Information

---

Omcan Manufacturing and Distributing Company Inc., Food Machinery of America, Inc. dba Omcan and Omcan Inc. are not responsible for any harm or injury caused due to any person's improper or negligent use of this equipment. The product shall only be operated by someone over the age of 18, of sound mind, and not under the influence of any drugs or alcohol, who has been trained in the correct operation of this machine, and is wearing authorized, proper safety clothing. Any modification to the machine voids any warranty, and may cause harm to individuals using the machine or in the vicinity of the machine while in operation.

## CHECK PACKAGE UPON ARRIVAL

Upon receipt of [an](#) Omcan shipment please inspect for external damage. If no damage is evident on the external packaging, open carton to ensure all ordered items are within the box, and there is no concealed damage to the machine. If the package has suffered rough handling, bumps or damage (visible or concealed), please note it on the bill of lading before accepting the delivery and contact Omcan within 24 hours, so we may initiate a claim with the carrier. A detailed report on the extent of the damage caused to the machine must be filled out within three days, from the delivery date shown in the shipping documents. Omcan has no recourse for damaged products that were shipped collect or third party.

**Before operating any equipment, always read and familiarize yourself with all operation and safety instructions.**

Omcan would like to thank you for purchasing this machine. It's of the utmost importance to save these instructions for future reference. Also save the original box and packaging for shipping the equipment if servicing or returning of the machine is required.

---

**Omcan Fabrication et distribution Compañie Limité et Food Machinery d'Amérique, dba Omcan et Omcan Inc. ne sont pas responsables de tout dommage ou blessure causé du fait que toute personne ait utilisé cet équipement de façon irrégulière. Le produit ne doit être exploité que par quelqu'un de plus de 18 ans, saine d'esprit, et pas sous l'influence d'une drogue ou d'acohol, qui a été formé pour utiliser cette machine correctement, et est vêtu de vêtements de sécurité approprié. Toute modification de la machine annule toute garantie, et peut causer un préjudice à des personnes utilisant la machine ou des personnes à proximité de la machine pendant son fonctionnement.**

## VÉRIFIEZ LE COLIS DÈS RÉCEPTION

Dès réception d'une expédition d'Omcan veuillez inspecter pour dommages externes. Si aucun dommage n'est visible sur l'emballage externe, ouvrez le carton afin de s'assurer que tous les éléments commandés sont dans la boîte, et il n'y a aucun dommage dissimulé à la machine. Si le colis n'a subi aucune mauvaises manipulations, de bosses ou de dommages (visible ou cachée), notez-le sur le bond de livraison avant d'accepter la livraison et contactez Omcan dans les 24 heures qui suivent, pour que nous puissions engager une réclamation auprès du transporteur. Un rapport détaillé sur l'étendue des dommages causés à la machine doit être rempli dans un délai de trois jours, à compter de la date de livraison indiquée dans les documents d'expédition. Omcan n'a aucun droit de recours pour les produits endommagés qui ont été expédiées ou cueilli par un tiers transporteur.



# General Information

---

Avant d'utiliser n'importe quel équipement, toujours lire et vous familiariser avec toutes les opérations et les consignes de sécurité.

Omcan voudrais vous remercier d'avoir choisi cette machine. Il est primordial de conserver ces instructions pour une référence ultérieure. Également conservez la boîte originale et l'emballage pour l'expédition de l'équipement si l'entretien ou le retour de la machine est nécessaire.

---

Omcan Empresa De Fabricacion Y Distribucion Inc. Y Maquinaria De Alimentos De America, Inc. dba Omcan y Omcan Inc. no son responsables de ningun daño o perjuicio causado por cualquier persona inadecuada o el uso descuidado de este equipo. El producto solo podra ser operado por una persona mayor de 18 años, en su sano juicio y no bajo alguna influencia de droga o alcohol, y que este ha sido entrenado en el correcto funcionamiento de esta máquina, y ésta usando ropa apropiada y autorizada. Cualquier modificación a la máquina **anula** la garantía y puede causar daños a las personas usando la máquina mientras esta en el funcionamiento.

## REVISE EL PAQUETE A SU LLEGADA

Tras la recepcion de un envio Omcan favor inspeccionar daños externos. Si no hay daños evidentes en el empaque exterior, Habra el carton para asegurarse que todos los articulos solicitados estén dentro de la caja y no encuentre daños ocultos en la máquina. Si el paquete ha sufrido un manejo de poco cuidado, golpes o daños (visible o oculto) por favor anote en la factura antes de aceptar la entrega y contacte Omcan dentro de las 24 horas, de modo que podamos iniciar una reclamación con la compañía. Un informe detallado sobre los daños causados a la máquina debe ser llenado en el plazo de tres días, desde la fecha de entrega que se muestra en los documentos de envío. Omcan no tiene ningun recurso por productos dañados que se enviaron a recoger por terceros.

Antes de utilizar cualquier equipo, siempre lea y familiarizarse con todas las instrucciones de funcionamiento y seguridad.

Omcan le gustaría darle las gracias por la compra de esta máquina. Es de la mayor importancia para salvar estas instrucciones para futuras consultas. Además, guarda la caja original y el embalaje para el envío del equipo si servicio técnico o devolución de la máquina que se requiere.

# Safety and Warranty

---

Please pay close attention to the safety notices in this section. Disregarding these notices may lead to serious injury and can damage the unit.

## CAUTION FOR SAFETY

1. Leave enough space from the wall to the cabinet and the ceiling; do not place the back of the unit against the wall.

# ***Safety and Warranty***

---

**Caution: keep a minimum of 20cm from the cabinet and the wall.**

2. Please keep other objects away from the unit that may cause a fire.
3. Do not store flammable or combustible materials near the unit.
4. Only connect to a grounded single phase connection.

**Caution: Do not connect grounding wire to a water or gas pipe.**

5. Handle with caution during transportation, the unit can only be leaned a maximum of 45°.
6. When encountering problems, please refer to the Troubleshooting section or call Omcan.

**Danger: Flammable refrigerant used. Do not use mechanical devices to defrost the unit. Do not puncture the refrigerant tubing. To be repaired only by trained service technicians.**

**Caution: Flammable refrigerant used. Consult repair manual/owners guide before attempting to service this unit. All safety precautions must be followed.**

**Caution: Dispose of properly in accordance with federal or local regulations. Flammable refrigerant used.**

**Caution: Follow handling instructions carefully.**

**Caution: Ensure all ventilation openings are unobstructed.**

**Caution: Servicing shall be done by authorized service personnel, so as to minimize the risk of injury due to incorrect parts or improper service.**

## **ATTENTION**

- To minimize shock and fire hazards, be sure not to overload outlet. Please designate one outlet for your unit.
- Do not use extension cords.
- Do not put your hands under the unit when the unit is required to be moved.
- When the unit is not in use for a long period of time, please unplug the unit from the outlet.
- After unplugging the unit, wait at least 10 minutes before re-plugging it. Failure to do so could cause damage to the compressor.

## **UNPLUG CORD**

- To minimize shock and fire hazards, please do not plug or unplug the cord with wet hands.
- During maintenance and cleaning, please unplug the unit..

## **PROPER GROUNDING REQUIRED**

- To minimize shock and fire hazards, make sure that the unit is properly grounded.

## **PROHIBITION**

- Do not attempt to remove or repair any component unless instructed by Omcan.
- Make sure that the unit is not resting on or against the electrical cord and plug.
- To minimize personal injury, do not hang on the doors.
- Do not store any flammable or explosive material inside the unit.

# *Safety and Warranty*

---

- Do not attempt to alter or tamper with the electrical cord.

**RESIDENTIAL USERS:** Vendor assumes no liability for parts or labor coverage for component failure or other damages resulting from installation in non-commercial or residential applications. The right is reserved to deny shipment for residential usage; if this occurs, you will be notified as soon as possible.

## **1 YEAR PARTS AND LABOUR WARRANTY**

Within the warranty period, contact Omcan Inc. at 1-800-465-0234 to schedule an Omcan authorized service technician to repair the equipment locally.

Unauthorized maintenance will void the warranty. Warranty covers electrical and part failures, not improper use.

Please see <https://omcan.com/disclaimer> for complete info.

### **WARNING:**

The packaging components are classified as normal solid urban waste and can therefore be disposed of without difficulty.

In any case, for suitable recycling, we suggest disposing of the products separately (differentiated waste) according to the current norms.

**DO NOT DISCARD ANY PACKAGING MATERIALS IN THE ENVIRONMENT!**

# Technical Specifications

## SOLID DOOR UNITS

Model	BB-CN-0012E-SH	BB-CN-0020E-SH
Temperature Range	0.6 - 4.4°C / 33 - 40°F	
Max Ambient Temp Rating	24°C / 75°F	
Power	346 W	396 W
Refrigerant	R290	
Isolation Material	Cyclopentane	
Cooling System	Ventilated	
Defrosting	Automatic	
Type of Controller	Digital	
Self-Closing Door	Yes	
Current	3.7A	4.1A
Number of Doors	2	3
Number of Shelves	4	6
Shelf Material	Plastic Coated	
Shelf Loading Capacity	88 lbs. / 39.9 kgs.	
Electrical	110-120V / 60Hz / 1	
Interior Dimensions	36.2" x 18.5" x 30.5" 920 x 470 x 775mm	60.2" x 18.5" x 30.5" 1528 x 470 x 775mm
Overall Dimensions	48.8" x 24.4" x 35.6" 1240 x 620 x 905mm	72.8" x 24.4" x 35.6" 1848 x 620 x 905mm
Packaging Dimensions	51.2" x 27.6" x 41.7" 1300 x 700 x 1060mm	75.2" x 27.6" x 41.7" 1910 x 700 x 1060mm
Net Volume	318 L / 11.2 cu.ft.	525 L / 18.5 cu.ft.
Weight	231.5 lbs. / 105 kgs.	330.7 lbs. / 150 kgs.
Packaging Weight	282.2 lbs. / 128 kgs.	374.8 lbs. / 170 kgs.
Item Number	59057	59061

# Technical Specifications

## GLASS DOOR UNITS

Model	BB-CN-0012E-GH	BB-CN-0020E-GH
Temperature Range	0.6 - 4.4°C / 33 - 40°F	
Max Ambient Temp Rating	24°C / 75°F	
Power	273 W	396 W
Refrigerant	R290	
Isolation Material	Cyclopentane	
Cooling System	Ventilated	
Defrosting	Automatic	
Type of Controller	Digital	
Self-Closing Door	Yes	
Current	2.88A	4.1A
Number of Doors	2	3
Number of Shelves	4	6
Shelf Material	Plastic Coated	
Shelf Loading Capacity	88 lbs. / 39.9 kgs.	
Electrical	110-120V / 60Hz / 1	
Interior Dimensions	36.2" x 18.5" x 30.5" 920 x 470 x 775mm	60.2" x 18.5" x 30.5" 1528 x 470 x 775mm
Overall Dimensions	48.8" x 24.4" x 35.6" 1240 x 620 x 905mm	72.8" x 24.4" x 35.6" 1848 x 620 x 905mm
Packaging Dimensions	51.2" x 27.6" x 41.7" 1300 x 700 x 1060mm	75.2" x 27.6" x 41.7" 1910 x 700 x 1060mm
Net Volume	318 L / 11.2 cu.ft.	525 L / 18.5 cu.ft.
Weight	231.5 lbs. / 105 kgs.	330.7 lbs. / 150 kgs.
Packaging Weight	282.2 lbs. / 128 kgs.	377 lbs. / 171 kgs.
Item Number	59058	59062

## Installation

### IMPORTANT!!! PLEASE READ BEFORE INSTALLATION

- If the unit has recently been transported, please let the unit stand upright for a minimum of 24 hours before plugging it in.
- Make sure that the unit drops down to the desired temperature before loading the unit with product.
- Make sure that there is proper ventilation around the unit in the area where it will operate.

# Installation

---

- Make sure all accessories are installed (shelves, casters, ect.) before plugging in the unit.
- Please read through the manual in its entirety.

## CABINET LOCATION GUIDELINES

### INSTALL THE UNIT ON A STRONG AND LEVELED SURFACE

- Unit may make unpleasant noises if surface is uneven.
- Unit may malfunction if surface is uneven.

### INSTALL THE UNIT IN **AN** INDOOR, WELL VENTILATED AREA

- Unit performs more efficiently in a well ventilated area.
- For best performance, please maintain a clearance of 4" from the back of the unit.
- Not to be used outdoors.

### AVOID INSTALLATION IN A HIGH HUMIDITY AND/OR DUSTY AREA

- Humidity can cause the unit to rust and decrease efficiency of the unit.
- Dust collected on the condenser coil will cause the unit to malfunction. Clean the condenser at least once a month with a brush or clean cloth.

### SELECT A LOCATION AWAY FROM HEAT AND MOISTURE-GENERATING EQUIPMENT

- High ambient temperatures will cause the compressor to overwork, leading to higher energy bills and gradual breakdown of the unit.

## ELECTRICAL

Please ensure that the required voltage of the compressor is being supplied at all times. Low or high voltage can detrimentally affect the refrigeration unit. All units should be plugged into a grounded a properly-sized electrical outlet with appropriate overcurrent protection. Please refer to the electrical requirements on the rating plate. Please make sure that your unit has its own dedicated outlet. Do not use [an](#) extension cord.

# Maintenance

---

## CLEANING THE CONDENSER COIL

- For efficient operation, it is important that the condenser surface be kept free of dust, dirt and lint.
- We recommend cleaning the condenser coil and fins at least once per month.
- Clean with a commercial condenser coil cleaner. Brush the condenser fins from top to bottom, not side to side.
- After cleaning, straighten any bent condenser fins with a fin comb.

# Maintenance

## CLEANING THE FAN BLADES AND MOTOR

If necessary, clean the fan blades and motor with a soft cloth. If it is necessary to wash the fan blades, cover the fan motor to prevent moisture damage.

## CLEANING THE INTERIOR OF THE UNIT

- When cleaning the cabinet interior, use a solvent of warm water and mild soap.
- Do not use steel wool, caustic soap, abrasive cleaners, or bleach that may damage the stainless steel surface.
- Wash door gaskets on a regular basis, preferably weekly. Simply remove door gasket from the frame of the door, soak in warm water and soap for thirty (30) minutes, dry with a soft cloth and replace.
- Check door gaskets for proper seal after they are replaced.
- Periodically remove the shelves and pilasters from the unit and clean them with mild soap and warm water. To remove the pilasters, first remove the shelves and shelf brackets. Then, simply lift the pilaster up and out.

**Warning: Disconnect power cord before cleaning any parts of the unit.**

# Troubleshooting

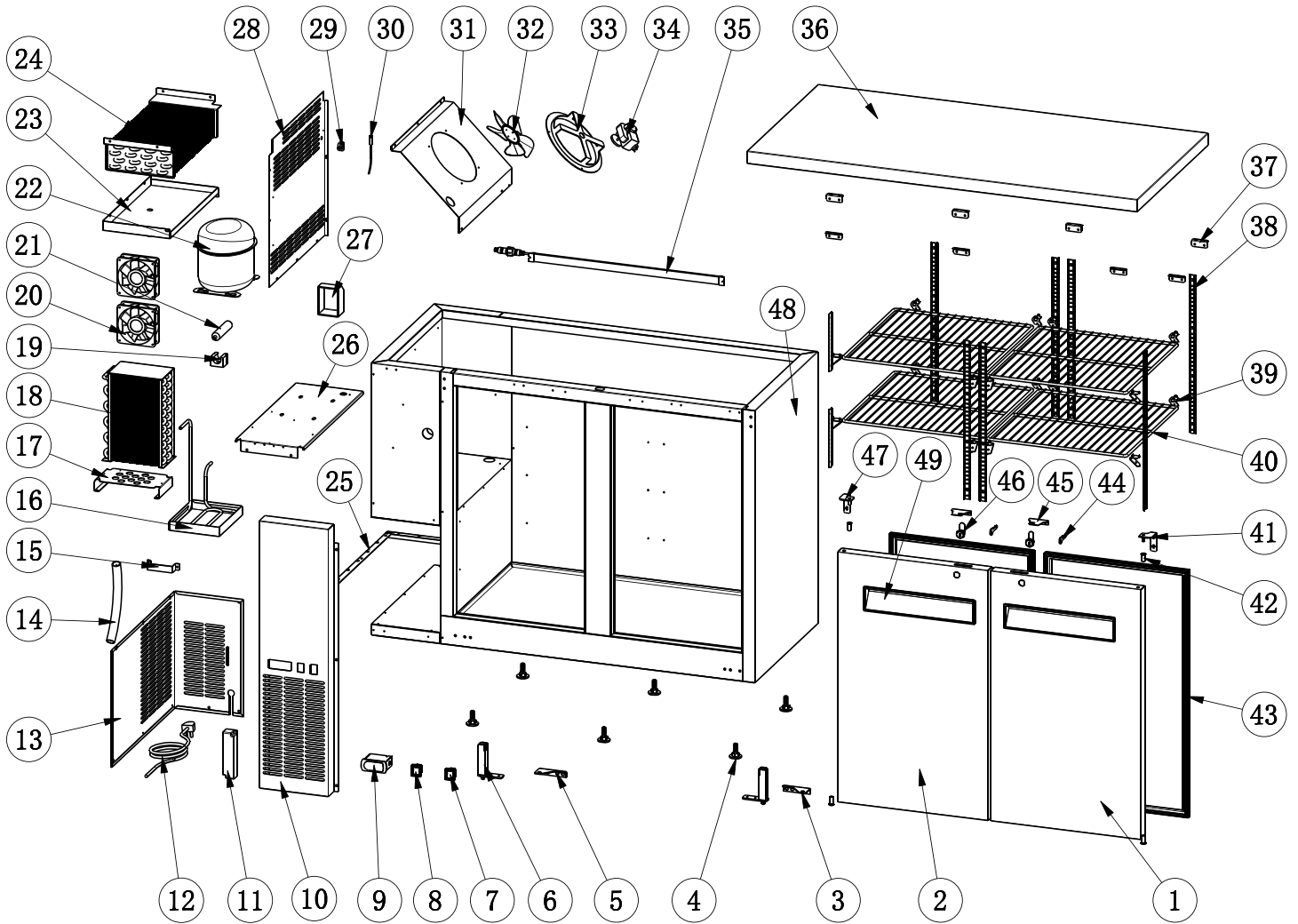
Problem	Possible Cause	Solution
Compressor not running.	Fuse blown or circuit breaker tripped.	Replace fuse or reset circuit breaker.
	Power cord unplugged.	Plug in power cord.
	Thermostat set too high.	Set thermostat to a lower temperature.
	Cabinet in defrost cycle.	Wait for defrost cycle to finish.

# Troubleshooting

Condensing unit runs for long periods of time.	Excessive amount of warm product placed in cabinet.	Allow adequate time for product to cool down.
	Prolonged door opening or door ajar.	Ensure doors are closed when not in use. Avoid opening doors for long periods of time.
	Door gaskets not sealing properly.	Ensure gaskets are snapped in completely. Remove gaskets and wash with soap and water. Check condition of gaskets and replace if necessary.
	Dirty condenser coil.	Clean the condenser coil.
	Evaporator coil iced over.	Unplug unit and allow coil to defrost. Make sure thermostat is not set too cold. Ensure that the door gaskets are sealing properly.
Cabinet temperature is too warm.	Thermostat set too warm.	Set thermostat to a lower temperature.
	Blocking air flow.	Re-arrange product to allow for proper air flow. Make sure there is at least 4" of clearance from evaporator.
	Excessive amount of warm product placed in cabinet.	Allow adequate time for product to cool down.
	Fuse blown or circuit breaker tripped.	Replace fuse or reset circuit breaker.
	Dirty condenser coil.	Clean the condenser coil.
	Prolonged door opening or door ajar.	Ensure doors are closed when not in use. Avoid opening doors for long periods of time.
	Evaporator coil iced over.	
Cabinet is noisy.	Loose parts.	Locate and tighten the loose parts.
	Tubing vibration.	Ensure tubing is free from contact with other tubing or components.

# Parts Breakdown

Model **BB-CN-0012E-SH** 59057



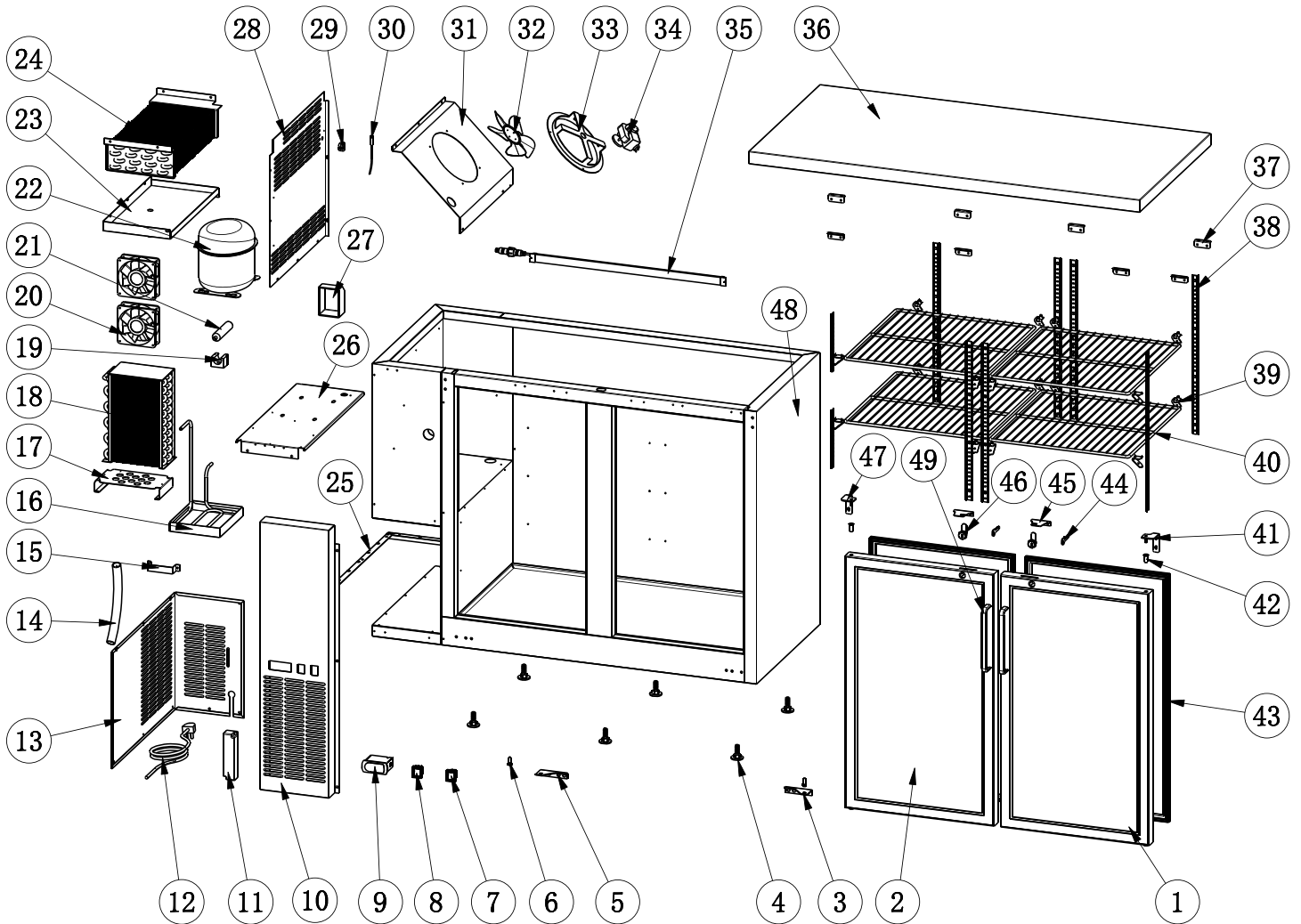
# Parts Breakdown

## Model BB-CN-0012E-SH 59057

Item No.	Description	Position	Item No.	Description	Position	Item No.	Description	Position
AF774	Right Door for 59057	1	AF778	Condenser Installation Board for 59057	17	AM180	Evaporator Fan Motor for 59057	34
AF775	Left Door for 59057	2	AA155	Condenser for 59057	18	AM181	LED Light for 59057	35
61468	Left Bottom Hinge for 59057	3	AB595	Filter Fixer for 59057	19	AF821	Top Board for 59057	36
AA185	Leveling Feet for 59057	4	AA128	Condenser Fan Motor for 59057	20	AF764	Top Board Fixer for 59057	37
AA360	Bottom Left Hinge for 59057	5	AA371	Filter for 59057	21	AF176	K Strip-4 Holes for 59057	38
AA398	Bottom Hinge Axis for 59057	6	AF088	Compressor for 59057	22	26884	K Clip for 59057	39
AA124	Power Switch for 59057	7	AI396	Inner Drain Pan for 59057	23	AA386	Shelf for 59057	40
AA362	LED Light Switch for 59057	8	AI397	Evaporator for 59057	24	AA436	Upper Right Hinge for 59057	41
27185	Carel Controller PJEZ for 59057	9	AF780	Fixed Mounts for Back Grill for 59057	25	AA388	Axis Cover for 59057	42
AF776	Control Panel for 59057	10	AF781	Compressor Installation Board for 59057	26	AA414	Gasket for 59057	43
AM179	LED Power Supply for 59057	11	AF820	Evaporator Cover for 59057	28	AA196	Key for 59057	44
AA365	Power Cord for 59057	12	AA378	Temperature Probe Fixer for 59057	29	AF761	Lock Plate for 59057	45
AF777	Back Grill for 59057	13	AA379	Temperature Probe for 59057	30	AA197	Lock for 59057	46
AA216	Drain Tube for 59057	14	AF783	Evaporator Fan Installation Board for 59057	31	AF786	Upper Light Hinge for 59057	47
AB974	Handle for Installation Board for 59057	15	AA962	Blade of Evaporator Fan Motor for 59057	32	AA418	Door Handle for 59057	49
AF087	Outer Drain Pan for 59057	16	AL936	Evaporator Fan Holder for 59057	33			

# Parts Breakdown

Model **BB-CN-0012E-GH** 59058



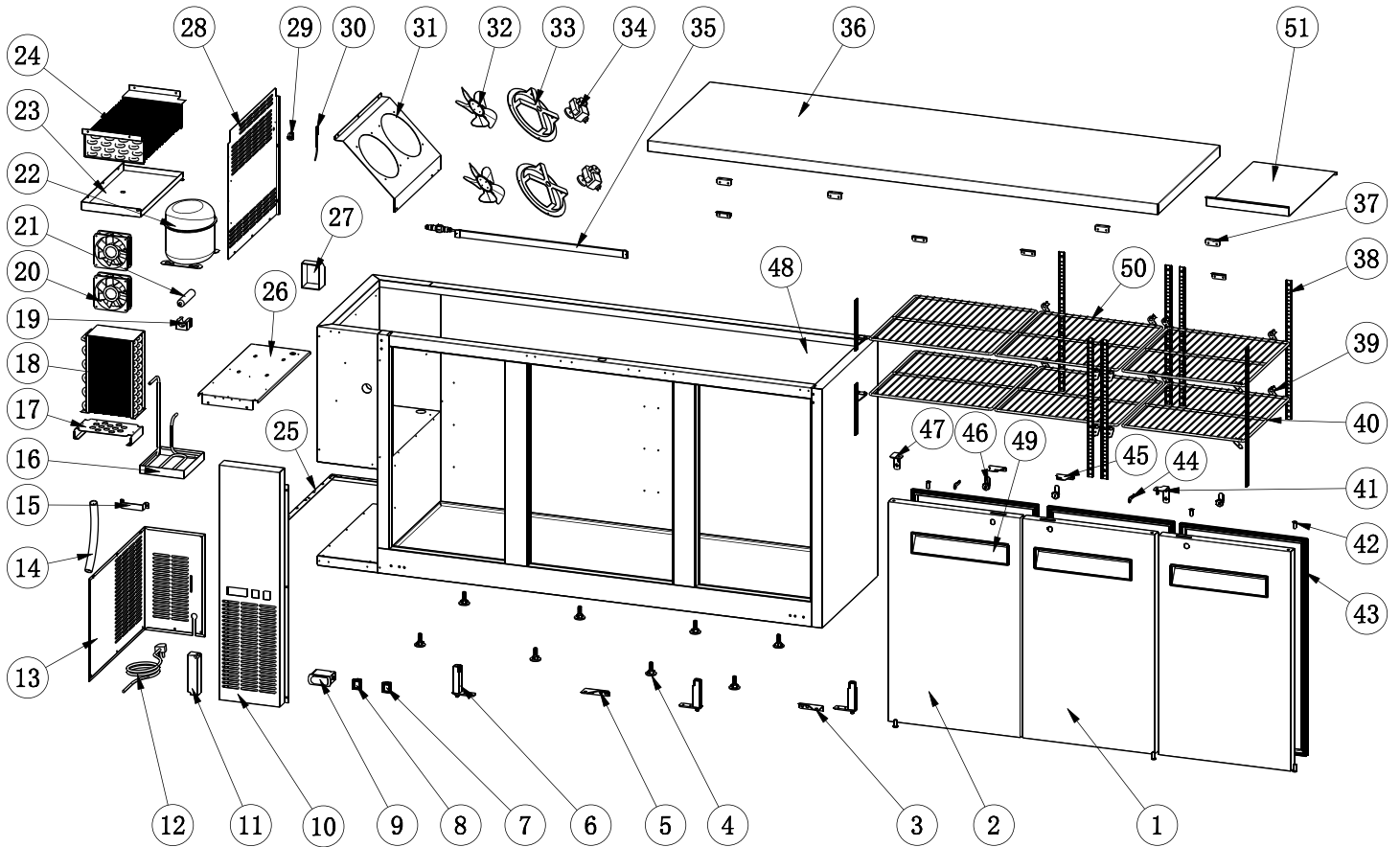
# Parts Breakdown

## Model BB-CN-0012E-GH 59058

Item No.	Description	Position	Item No.	Description	Position	Item No.	Description	Position
AA357	Right Glass Door for 59058	1	AF778	Condenser Installation Board for 59058	17	AM180	Evaporator Fan Motor for 59058	34
AA358	Left Glass Door for 59058	2	AA155	Condenser for 59058	18	AM181	LED Light for 59058	35
61468	Left Bottom Hinge for 59058	3	AB595	Filter Fixer for 59058	19	AF821	Top Board for 59058	36
AA185	Leveling Feet for 59058	4	AA128	Condenser Fan Motor for 59058	20	AF764	Top Board Fixer for 59058	37
AA360	Bottom Left Hinge for 59058	5	AA371	Filter for 59058	21	AF176	K Strip-4 Holes for 59058	38
AA361	Bottom Hinge Axis for 59058	6	AF088	Compressor for 59058	22	26884	K Clip for 59058	39
AA124	Power Switch for 59058	7	AI396	Inner Drain Pan for 59058	23	AA386	Shelf for 59058	40
AA362	LED Light Switch for 59058	8	AI397	Evaporator for 59058	24	AA436	Upper Right Hinge for 59058	41
27185	Carel Controller PJEZ for 59058	9	AF780	Fixed Mounts for Back Grill for 59058	25	AA388	Axis Cover for 59058	42
AF776	Control Panel for 59058	10	AF781	Compressor Installation Board for 59058	26	AA389	Gasket for 59058	43
AM179	LED Power Supply for 59058	11	AF820	Evaporator Cover for 59058	28	AA390	Key for 59058	44
AA365	Power Cord for 59058	12	AA378	Temperature Probe Fixer for 59058	29	AF761	Lock Plate for 59058	45
AF777	Back Grill for 59058	13	AA379	Temperature Probe for 59058	30	AA392	Lock for 59058	46
AA216	Drain Tube for 59058	14	AF783	Evaporator Fan Installation Board for 59058	31	AF786	Upper Light Hinge for 59058	47
AB974	Handle of Compressor Installation Board for 59058	15	AA962	Blade of Evaporator Fan Motor for 59058	32	AA395	Glass Door Handle for 59058	49
AF087	Outer Drain Pan for 59058	16	AL936	Evaporator Fan Cover for 59058	33			

# Parts Breakdown

Model **BB-CN-0020E-SH** 59061



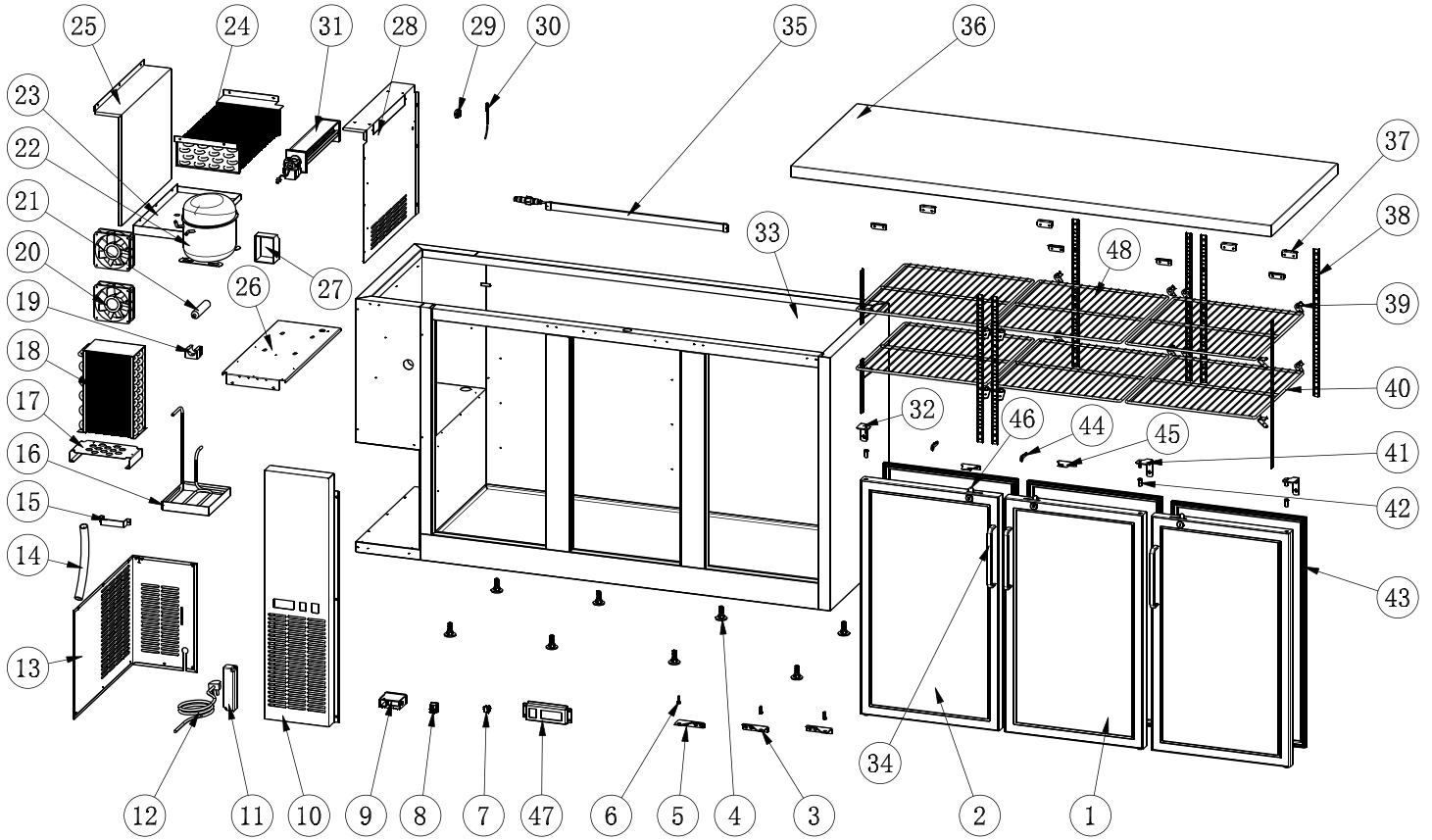
# Parts Breakdown

## Model BB-CN-0020E-SH 59061

Item No.	Description	Position	Item No.	Description	Position	Item No.	Description	Position
AF800	Right Door for 59061	1	AA155	Condenser for 59061	18	AF824	Top Board for 59061	36
AF801	Left Door for 59061	2	AB595	Filter Fixer for 59061	19	AF764	Top Board Fixer for 59061	37
61468	Left Bottom Hinge for 59061	3	AA128	Condenser Fan Motor for 59061	20	AF176	K Strip-4 Holes for 59061	38
AA185	Leveling Feet for 59061	4	AA371	Filter for 59061	21	26884	K Clip for 59061	39
AA360	Bottom Left Hinge for 59061	5	AF088	Compressor for 59061	22	AF804	Shelf/Left and Right for 59061	40
AA398	Bottom Hinge Axis for 59061	6	AI396	Inner Drain Pan for 59061	23	AA436	Upper Right Hinge for 59061	41
AA124	Power Switch for 59061	7	AI397	Evaporator for 59061	24	AA388	Axis Cover for 59061	42
AA362	LED Light Switch for 59061	8	AF780	Fixed Mounts for Back Grill for 59061	25	37720	Solid Door Gasket for 59061	43
27185	Carel Controller PJEZ for 59061	9	AF781	Compressor Installation Board for 59061	26	AA196	Key for 59061	44
AF776	Control Panel for 59061	10	AF823	Evaporator Cover for 59061	28	AF761	Lock Plate for 59061	45
AM179	LED Power Supply for 59061	11	AA378	Temperature Probe Fixer for 59061	29	AA197	Lock for 59061	46
AA365	Power Cord for 59061	12	AA121	Temperature Sensor of Cabinet Inside for 59061	30	AF786	Upper Light Hinge for 59061	47
AF777	Back Grill for 59061	13	AF783	Evaporator Fan Installation Board for 59061	31	AA418	Door Handle for 59061	49
AA216	Drain Tube for 59061	14	AA962	Blade of Evaporator Fan Motor for 59061	32	AA484	Middle Shelf for 59061	50
AB974	Handle for Installation Board for 59061	15	AL936	Evaporator Fan Cover for 59061	33	AF805	Air Deflector for 59061	51
AF087	Outer Drain Pan for 59061	16	AM180	Evaporator Fan Motor for 59061	34			
AF778	Condenser Installation Board for 59061	17	AM181	LED Light for 59061	35			

# Parts Breakdown

**Model BB-CN-0020E-GH 59062**



# Parts Breakdown

## Model BB-CN-0020E-GH 59062

Item No.	Description	Position	Item No.	Description	Position	Item No.	Description	Position
AA462	Right Glass Door for 59023	1	AF778	Condenser Installation Board for 59023	17	68296	LED Light for 59023	35
AA463	Left Glass Door for 59023	2	AA155	Condenser for 59023	18	AF824	Top Board for 59023	36
61468	Left Bottom Hinge for 59023	3	AB595	Filter Fixer for 59023	19	AF764	Top Board Fixer for 59023	37
AA185	Leveling Feet for 59023	4	AA128	Condenser Fan Motor for 59023	20	AF176	K Strip-4 Holes for 59023	38
AA360	Bottom Left Hinge for 59023	5	AA371	Filter for 59023	21	26884	K Clip for 59023	39
AA361	Bottom Hinge Axis for 59023	6	AI395	Compressor for 59023	22	AF804	Shelf Left and Right for 59023	40
AA124	Power Switch for 59023	7	AI396	Inner Drain Pan for 59023	23	AA436	Upper Right Hinge for 59023	41
AA362	LED Light Switch for 59023	8	AI397	Evaporator for 59023	24	AA388	Axis Cover for 59023	42
AB109	Thermostat for 59023	9	AI398	Inst Sheet for Evaporator for 59023	25	AA437	Gasket for 59023	43
AF776	Control Panel for 59023	10	AF781	Compressor Installation Board for 59023	26	AA390	Key for 59023	44
AA364	LED Power Supply for 59023	11	AI399	Evaporator Cover for 59023	28	AF761	Lock Plate for 59023	45
AA365	Power Cord for 59023	12	AA378	Temperature Probe Fixer for 59023	29	AA392	Lock for 59023	46
AF777	Back Grill for 59023	13	AA379	Temperature Probe for 59023	30	AI401	Waterproof Cover of Thermostat for 59023	47
AA216	Drain Tube for 59023	14	AI400	Evaporator Fan Motor for 59023	31	AA484	Middle Shelf for 59023	48
AB974	Handle for Installation Board for 59023	15	AF786	Upper Light Hinge for 59023	32			
AF087	Outer Drain Pan for 59023	16	AA395	Glass Door Handle for 59023	34			

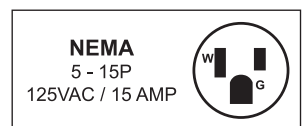
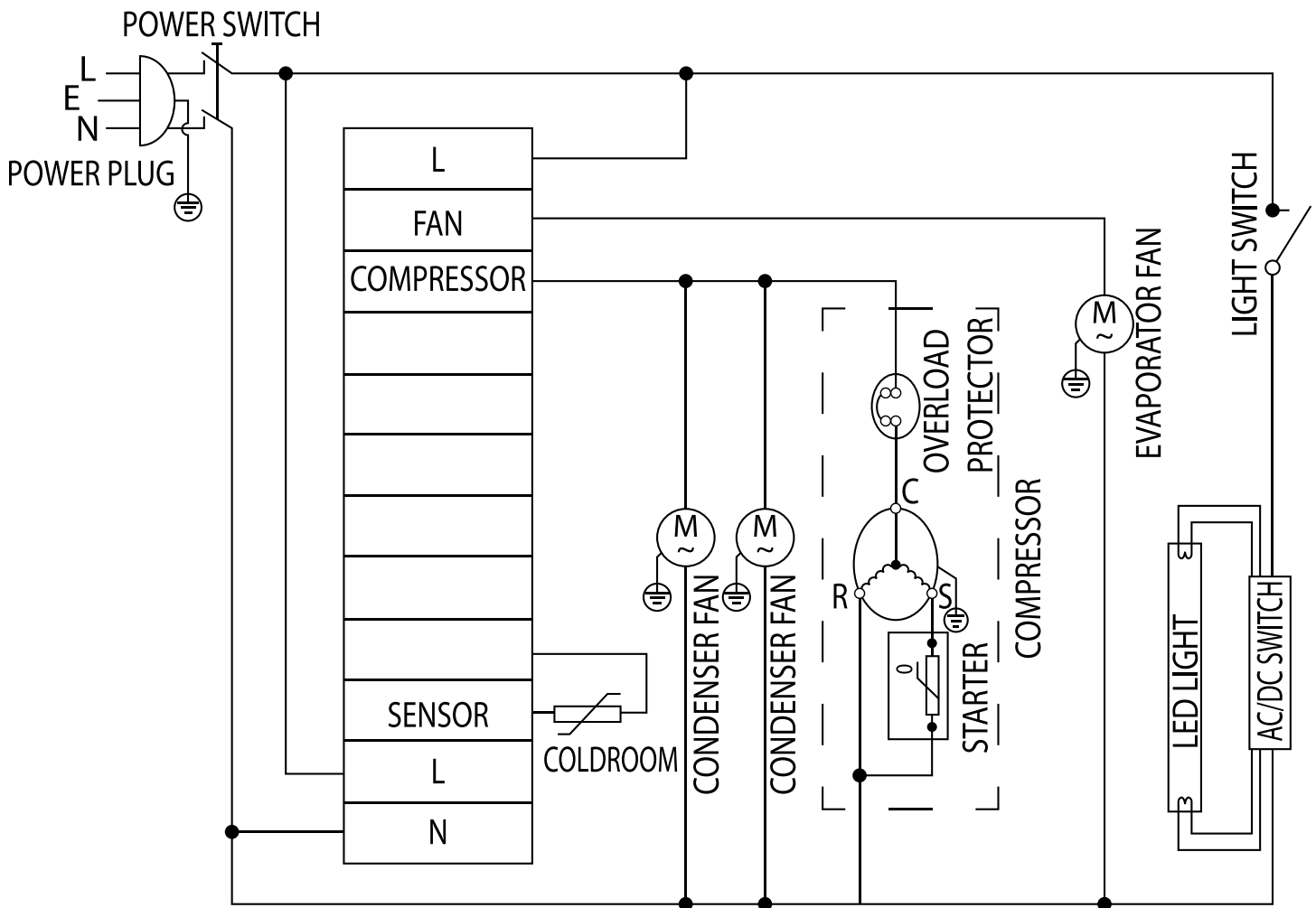
# Electrical Schematics

**Model BB-CN-0012E-SH** 59057

**Model BB-CN-0012E-GH** 59058

**Model BB-CN-0020E-SH** 59061

**Model BB-CN-0020E-GH** 59062







# Warranty Registration

Thank you for purchasing an Omcan product. To register your warranty for this product, complete the information below, tear off the card at the perforation and then send to the address specified below. You can also register online by visiting:

Merci d'avoir acheté un produit Omcan. Pour enregistrer votre garantie pour ce produit, complétez les informations ci-dessous, détachez la carte au niveau de la perforation, puis l'envoyer à l'adresse spécifiée ci-dessous. Vous pouvez également vous inscrire en ligne en visitant:

Gracias por comprar un producto Omcan usted. Para registrar su garantía para este producto, complete la información a continuación, cortar la tarjeta en la perforación y luego enviarlo a la dirección indicada a continuación. También puede registrarse en línea en:

<https://omcan.com/warranty-registration/>

For mailing in Canada

Pour postale au Canada

Por correo en Canadá

**OMCAN**

PRODUCT WARRANTY REGISTRATION

3115 Pepper Mill Court,

Mississauga, Ontario

Canada, L5L 4X5

For mailing in the US

Pour diffusion aux États-Unis

Por correo en los EE.UU.

**OMCAN**

PRODUCT WARRANTY REGISTRATION

4450 Witmer Industrial Estates, Unit 4,

Niagara Falls, New York

USA, 14305

*or email to: [service@omcan.com](mailto:service@omcan.com)*



Purchaser's Information

Name: \_\_\_\_\_

Address: \_\_\_\_\_

City: \_\_\_\_\_ Province or State: \_\_\_\_\_ Postal or Zip: \_\_\_\_\_

Country: \_\_\_\_\_

Dealer from which Purchased: \_\_\_\_\_

Dealer City: \_\_\_\_\_ Dealer Province or State: \_\_\_\_\_

Invoice: \_\_\_\_\_

Model Name: \_\_\_\_\_ Model Number: \_\_\_\_\_

Machine Description: \_\_\_\_\_

Date of Purchase (MM/DD/YYYY): \_\_\_\_\_

Would you like to extend the warranty?  Yes  No

Company Name: \_\_\_\_\_

Telephone: \_\_\_\_\_

Email Address: \_\_\_\_\_

Type of Company:

Restaurant  Bakery  Deli

Butcher  Supermarket  Caterer

Institution (specify): \_\_\_\_\_

Other (specify): \_\_\_\_\_

Serial Number: \_\_\_\_\_

Date of Installation (MM/DD/YYYY): \_\_\_\_\_

**Thank you for choosing Omcan | Merci d'avoir choisi Omcan | Gracias por elegir Omcan**



Since 1951 Omcan has grown to become a leading distributor of equipment and supplies to the North American food service industry. Our success over these many years can be attributed to our commitment to strengthen and develop new and existing relationships with our valued customers and manufacturers. Today with partners in North America, Europe, Asia and South America, we continually work to improve and grow the company. We strive to offer customers exceptional value through our qualified local sales and service representatives who provide convenient access to over 6,500 globally sourced products.

---

Depuis 1951 Omcan a grandi pour devenir un des “leaders” de la distribution des équipements et matériel pour l’industrie des services alimentaires en Amérique du Nord. Notre succès au cours de ces nombreuses années peut être attribué à notre engagement à renforcer et à développer de nouvelles et existantes relations avec nos clients et les fabricants de valeur. Aujourd’hui avec des partenaires en Amérique du Nord, Europe, Asie et Amérique du Sud, nous travaillons continuellement à améliorer et développer l’entreprise. Nous nous efforçons d’offrir à nos clients une valeur exceptionnelle grâce à nos ventes locales qualifiées et des représentants de service qui offrent un accès facile à plus de 6500 produits provenant du monde entier.

---

Desde 1951 Omcan ha crecido hasta convertirse en un líder en la distribución de equipos y suministros de alimentos en América del Norte industria de servicios. Nuestro éxito en estos años se puede atribuir a nuestro compromiso de fortalecer y desarrollar nuevas relaciones existentes con nuestros valiosos clientes y fabricantes. Hoy con socios de América del Norte, Europa, Asia y América del Sur, que trabajan continuamente para mejorar y crecer la empresa. Nos esforzamos por ofrecer a nuestros clientes valor excepcional a través de nuestro local de ventas y representantes de los servicios que proporcionan un fácil acceso a más de 6,500 productos con origen a nivel mundial.

